



FCIconnect.com

Copyright FCI.

# Configuration of Documents

| P/N            | Documents                    | No.                              | Title   | CAT.No.                       |
|----------------|------------------------------|----------------------------------|---|-------------------------------|
| HFW_S-2STE1LF  | Specification Connector dwg. | SC-HFWS03                        | CONNECTOR USED FOR FPC/FFC WITH 1mm CONTACT SPACING COPING WITH AUTOMATIC MOUNTING &SMT | HFW_S-2ST1LF                  |
|                |                              | JSA96464                         | CAT.NO.TABLE FOR 1mm SPACING SMT CONNECTOR  | HFW_S-2ST_LF                  |
|                |                              | JSA96465                         | 1mm SPACING SURFACE MOUNT FPC/FFC CONNECTOR   | HFW_S-2ST_LLF                 |
|                |                              | JSA96466                         | CAT. NO. TABLE FOR PLASTIC TAPE PACKAGED 1mm SPACING SMT CONN.                          | HFW_S-2STE1LF                 |
|                | Cable dwg.                   | JSA96467<br>JSA93588<br>JSA93587 | PLASTIC TAPE PACKAGED 1mm SPACING SMT CONNECTOR<br>RECOMMENDED CABLE                    | HFW_S-2STE1LF<br>HFW_S-2ST_   |
| HFW_S-2STAE1LF | Specification Connector dwg. | SC-HFWS06                        | CONNECTOR USED FOR CIC WITH 1mm CONTACT SPACING COPING WITH AUTOMATIC MOUNTING &SMT     | HFW_S-2STAE1LF                |
|                |                              | JSA97359                         | CAT.NO.TABLE FOR 1mm SPACING SMT CONNECTOR  | HFW_S-2STA_LF                 |
|                |                              | JSA97370                         | 1mm SPACING SURFACE MOUNT FPC/FFC CONNECTOR   | HFW_S-2STA_LLF                |
|                |                              | JSA97371                         | CAT. NO. TABLE FOR PLASTIC TAPE PACKAGED 1mm SPACING SMT CONN.                          | HFW_S-2STAE1LF                |
|                | Cable dwg.                   | JSA97372<br>JSA97373             | PLASTIC TAPE PACKAGED 1mm SPACING SMT CONNECTOR<br>RECOMMENDED CABLE                    | HFW_S-2STAE1LF<br>HFW_S-2STA_ |
| HFW_S-2STBE1LF | Specification Connector dwg. | SC-HFWS06                        | CONNECTOR USED FOR CIC WITH 1mm CONTACT SPACING COPING WITH AUTOMATIC MOUNTING &SMT     | HFW_S-2STBE1LF                |
|                |                              | JSA97359                         | CAT.NO.TABLE FOR 1mm SPACING SMT CONNECTOR  | HFW_S-2STB_LF                 |
|                |                              | JSA97360                         | 1mm SPACING SURFACE MOUNT FPC/FFC CONNECTOR   | HFW_S-2STB_LLF                |
|                |                              | JSA97361                         | CAT. NO. TABLE FOR PLASTIC TAPE PACKAGED 1mm SPACING SMT CONN.                          | HFW_S-2STBE1LF                |
|                | Cable dwg.                   | JSA97362<br>JSA97363             | PLASTIC TAPE PACKAGED 1mm SPACING SMT CONNECTOR<br>RECOMMENDED CABLE                    | HFW_S-2STBE1LF<br>HFW_S-2STB_ |
| HFW_S-6STE1LF  | Specification Connector dwg. | SC-HFWS04                        | CONNECTOR USED FOR CIC WITH 1mm CONTACT SPACING COPING WITH AUTOMATIC MOUNTING &SMT     | HFW_S-6STE1LF                 |
|                |                              | JSA96468                         | CAT.NO.TABLE FOR 1mm SPACING SMT CONNECTOR  | HFW_S-6ST_LF                  |
|                |                              | JSA96469                         | 1mm SPACING SURFACE MOUNT CIC CONNECTOR   | HFW_S-6ST_LLF                 |
|                |                              | JSA96470                         | CAT. NO. TABLE FOR PLASTIC TAPE PACKAGED 1mm SPACING SMT CONN.                          | HFW_S-6STE1LF                 |
|                | Cable dwg.                   | JSA96471<br>JSA93944             | PLASTIC TAPE PACKAGED 1mm SPACING SMT CONNECTOR<br>RECOMMENDED CABLE                    | HFW_S-6STE1LF<br>HFW_S-6ST_   |

|             |                |     |            |  |        |                 |  |   |  |         |
|-------------|----------------|-----|------------|--|--------|-----------------|--|---|--|---------|
| mat'l. code |                |     |            | surface 58 / tolerance ISO 1302 / ISO 406 / ISO 1101 |        | projection      |  | product family 580F   |  | CODE JP |
| ltr         | ecn no         | dr  | date       | tolerances unless otherwise specified                |        | mm              |  | title   |  |         |
| A           | J05-0334       | H.T | 6/3/05     | angles   | linear | scale $\propto$ |  | HFW_S Documents Configuration (1mm Contact Spacing connector) |  |         |
| B           | J06-0435       | H.T | 10/26/06   |  |        |                 |  | dwg no sheet 1 of 1 size                                      |  |         |
| C           | J07-0481       | H.T | 2007-9-26  |  |        |                 |  | JSA96472 A4   |  |         |
| D           | J07-0502       | H.T | 2007-10-10 | dr   | engr   | FCI logo        |  | type Product Customer Drawing                                 |  |         |
|             |                |     |            | chr  | appd   |                 |  | Rev D   |  |         |
| sheet index | revision sheet | D   | 1          |  |        |                 |  |   |  |         |

form: A4

1

2

CAT. NO. & DIMENSIONS

| (NOTE 3) | NO. OF CONTACTS (n) | CAT. NO.        | DIMENSIONS (NOTE2) |         |         |         |         |
|----------|---------------------|-----------------|--------------------|---------|---------|---------|---------|
|          |                     |                 | A ± 0.2            | B ± 0.2 | C ± 0.2 | D ± 0.2 | E ± 0.2 |
|          | 4                   | HFW4S-2STA__LF  | 7                  | 5.14    | 3       | —       | —       |
|          | 5                   | HFW5S-2STA__LF  | 8                  | 6.14    | 4       | —       | —       |
|          | 6                   | HFW6S-2STA__LF  | 9                  | 7.14    | 5       | —       | —       |
|          | 7                   | HFW7S-2STA__LF  | 10                 | 8.14    | 6       | —       | —       |
|          | 8                   | HFW8S-2STA__LF  | 11                 | 9.14    | 7       | —       | —       |
|          | 9                   | HFW9S-2STA__LF  | 12                 | 10.14   | 8       | 0.35    | 7.3     |
|          | 10                  | HFW10S-2STA__LF | 13                 | 11.14   | 9       | 0.35    | 8.3     |
|          | 11                  | HFW11S-2STA__LF | 14                 | 12.14   | 10      | 1.35    | 7.3     |
|          | 12                  | HFW12S-2STA__LF | 15                 | 13.14   | 11      | 1.35    | 8.3     |
|          | 13                  | HFW13S-2STA__LF | 16                 | 14.14   | 12      | 2.35    | 7.3     |
|          | 14                  | HFW14S-2STA__LF | 17                 | 15.14   | 13      | 2.35    | 8.3     |
|          | 15                  | HFW15S-2STA__LF | 18                 | 16.14   | 14      | 3.35    | 7.3     |
|          | 16                  | HFW16S-2STA__LF | 19                 | 17.14   | 15      | 3.35    | 8.3     |
|          | 17                  | HFW17S-2STA__LF | 20                 | 18.14   | 16      | 4.35    | 7.3     |
|          | 18                  | HFW18S-2STA__LF | 21                 | 19.14   | 17      | 4.35    | 8.3     |
|          | 19                  | HFW19S-2STA__LF | 22                 | 20.14   | 18      | 5.35    | 7.3     |
|          | 20                  | HFW20S-2STA__LF | 23                 | 21.14   | 19      | 5.35    | 8.3     |
|          | 21                  | HFW21S-2STA__LF | 24                 | 22.14   | 20      | 6.35    | 7.3     |
|          | 22                  | HFW22S-2STA__LF | 25                 | 23.14   | 21      | 6.35    | 8.3     |
|          | 23                  | HFW23S-2STA__LF | 26                 | 24.14   | 22      | 7.35    | 7.3     |
|          | 24                  | HFW24S-2STA__LF | 27                 | 25.14   | 23      | 7.35    | 8.3     |
|          | 25                  | HFW25S-2STA__LF | 28                 | 26.14   | 24      | 8.35    | 7.3     |
|          | 26                  | HFW26S-2STA__LF | 29                 | 27.14   | 25      | 8.35    | 8.3     |
|          | 27                  | HFW27S-2STA__LF | 30                 | 28.14   | 26      | 9.35    | 7.3     |
|          | 28                  | HFW28S-2STA__LF | 31                 | 29.14   | 27      | 9.35    | 8.3     |
|          | 29                  | HFW29S-2STA__LF | 32                 | 30.14   | 28      | 10.35   | 7.3     |
|          | 30                  | HFW30S-2STA__LF | 33                 | 31.14   | 29      | 10.35   | 8.3     |
| *        | 31                  | HFW31S-2STA__LF | 34                 | 32.14   | 30      | 11.35   | 7.3     |
|          | 32                  | HFW32S-2STA__LF | 35                 | 33.14   | 31      | 11.35   | 8.3     |
| *        | 33                  | HFW33S-2STA__LF | 36                 | 34.14   | 32      | 12.35   | 7.3     |

CAT. NO.

HFW (n) S-2 ST A \_\_ LF

SERIES

NO. OF CONTACTS

STRAIGHT TYPE

FOR FPC / FFC

FOR AUTOMATIC MOUNTING (SMT)

VARIATION GOLD PLATING

PACKAGE STYLE

LEAD FREE

NOTES

1. THIS PRODUCT IS THE CONNECTOR DSIGNED TO TERMINATE FPC/FFC AND COPEs WITH AUTOMATIC MOUNTING (SMT).
2. SEE PART DRAWINGS FOR DIMENSIONS A~E.
3. PLEASE CONSULT US IN CASE OF USING PARTS WITH \* MARK.



FCIconnect.com

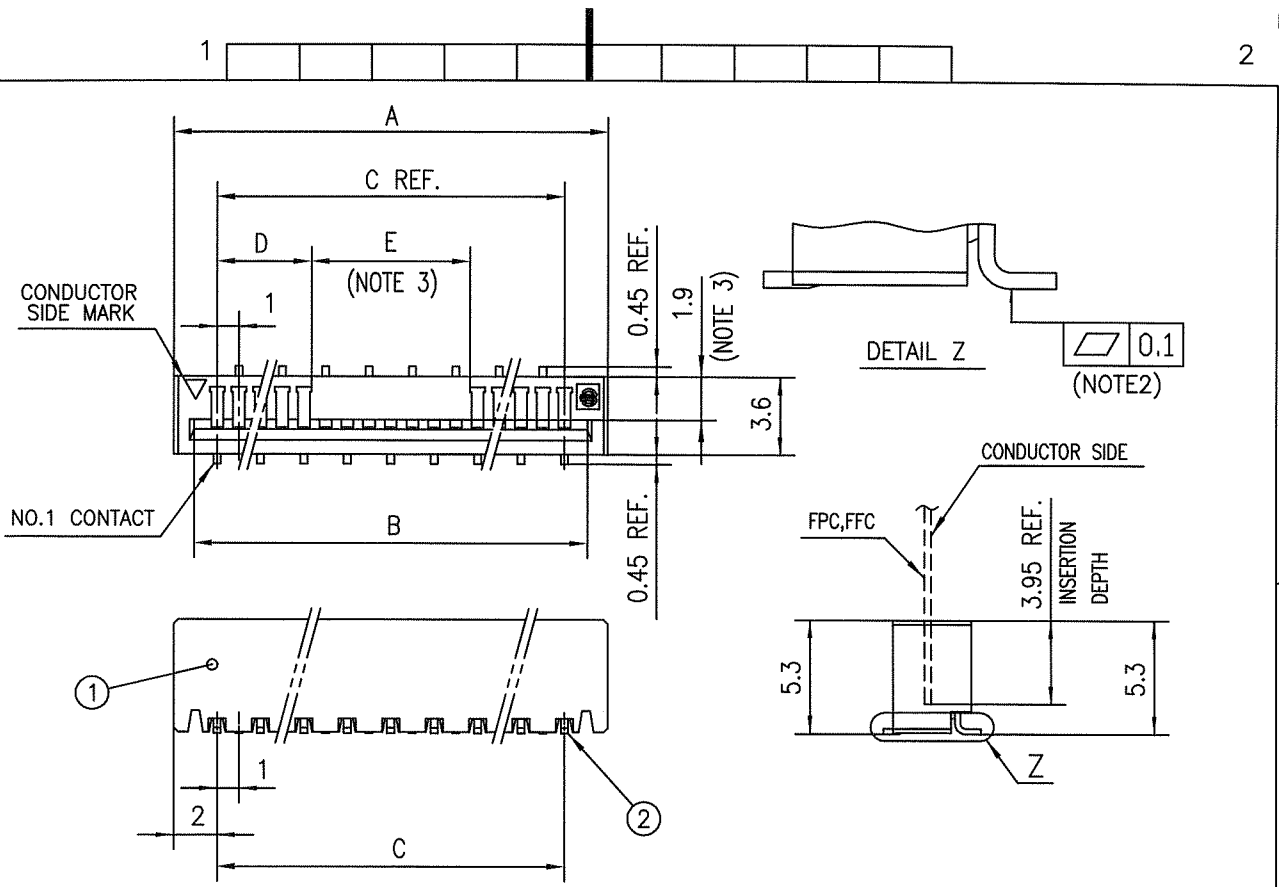
Copyright FCI.

|             |  |  |  |                                       |  |            |  |                               |  |                   |  |
|-------------|--|--|--|---------------------------------------|--|------------|--|-------------------------------|--|-------------------|--|
| mat'l. code |  |  |  | surface <sup>58</sup> / tolerance     |  | projection |  | product family                |  | CODE              |  |
|             |  |  |  | ISO 1302 ✓ / ISO 406 / ISO 1101       |  |            |  | 580F                          |  | JP                |  |
| ltr         |  |  |  | tolerances unless otherwise specified |  | mm         |  | title                         |  |                   |  |
| ecn no      |  |  |  | angles                                |  | linear     |  | CAT NO. TABLE FOR             |  |                   |  |
| dr          |  |  |  | linear                                |  | scale X    |  | 1mm SPACING SMT CONNECTOR     |  |                   |  |
| date        |  |  |  |                                       |  |            |  | (CAT.No.HFW__S-2STA__LF)      |  |                   |  |
| A           |  |  |  |                                       |  |            |  | dwg no                        |  | sheet 1 of 1 size |  |
| J07-0502    |  |  |  |                                       |  |            |  | JSA 97369                     |  | A4                |  |
| H.T.        |  |  |  |                                       |  |            |  | type Product Customer Drawing |  |                   |  |
| 2007-10-10  |  |  |  |                                       |  |            |  |                               |  |                   |  |
|             |  |  |  | dr                                    |  | 2007-10-10 |  |                               |  |                   |  |
|             |  |  |  | enr                                   |  | 2007-10-10 |  |                               |  |                   |  |
|             |  |  |  | chr                                   |  | 2007-10-10 |  |                               |  |                   |  |
|             |  |  |  | appd                                  |  | 2007-10-10 |  |                               |  |                   |  |
| sheet       |  |  |  | revision                              |  |            |  |                               |  | Rev               |  |
| index       |  |  |  | A                                     |  |            |  |                               |  | A                 |  |
| sheet       |  |  |  | 1                                     |  |            |  |                               |  | D                 |  |



FCIconnect.com

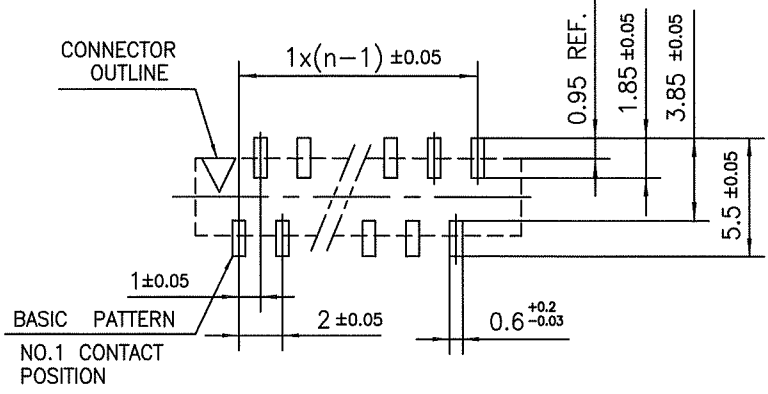
Copyright FCI.



| PT. NO. | PARTS NAME | MATERIAL                              | Q'TY | NOTE           |
|---------|------------|---------------------------------------|------|----------------|
| 1       | HOUSING    | PA6T RESIN GLASS REINFORCED (UL94V-0) | 1    | COLOR : BLACK  |
| 2       | CONTACT    | PHOSPHOR BRONZE                       | n    | PLATING : GOLD |

n : NO. OF CONTACTS

RECOMMENDED PC BOARD LAYOUT (COMPONENT SIDE)



NOTES

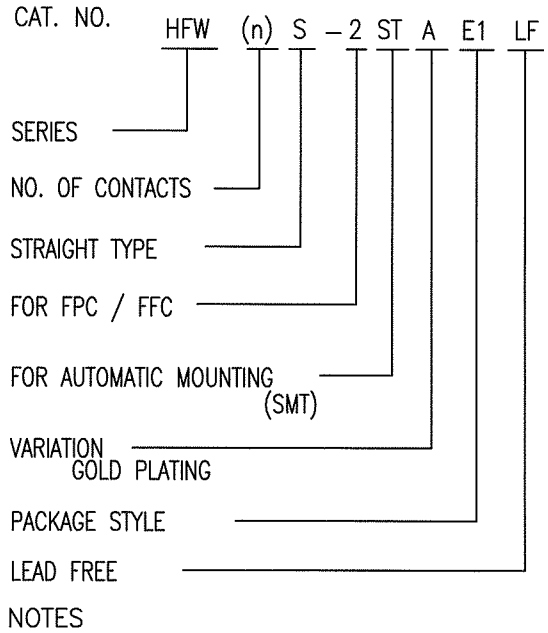
1. THIS PRODUCT IS THE CONNECTOR DSIGNED TO TERMINATE FPC/FFC AND COPEs WITH AUTOMATIC MOUNTING (SMT).
2. FLATNESS OF CONTACT TERMINAL MUST BE WITHIN TOLERANCE IN Z PORTION DETAILED DRAWING.
3. THIS DIMENSION IS SPACE FOR THE NOZZLE OF MOUNTER.
4. THIS PRODUCT MEETS EUROPEAN UNION DIRECTIVES AND OTHER COUNTRY REGULATIONS AS DESCRIBED IN GS-22-008
5. THE HOUSING WILL WITHSTAND EXPOSURE TO 260°C PEAK TEMPERATURE FOR 10 SECONDS IN A REFLOW SOLDERING OVEN.

|             |          |  |            |                                       |             |                     |  |  |  |
|-------------|----------|--|------------|---------------------------------------|-------------|---------------------|--|--|--|
| mat'l. code |          | surface 58 / tolerance ISO 1302 / ISO 406 / ISO 1101 |            | projection                            |             | product family 580F |  | CODE JP  |  |
| ltr         | ecn no   | dr   | date       | tolerances unless otherwise specified |             | title               |  | 1mm SPACING SURFACE MOUNT FPC/FFC CONNECTOR (CAT.No.HFW__S-2STA__LF) |  |
| A           | J07-0502 | H.T  | 2007-10-10 | angles                                | linear ±0.2 | mm                  |  | dwg no JSA 97370   |  |
| sheet index |          | revision sheet                                       |            | dr                                    |             | scale               |  | sheet 1 of 1 size A4   |  |
|             |          | A 1  |            | engr H. Hatanaka 2007-10-10           |             | X                   |  | type Product Customer Drawing  |  |
|             |          |  |            | chr R. Shiozaki 2007-10-10            |             | FCI                 |  | Rev A  |  |
|             |          |  |            | appd D. Andaw 2007-10-10              |             |                     |  |  |  |

SC-HFWS06 JSA97369 form: A4

CAT. NO. & DIMENSIONS

| (NOTE.4) | NO. OF CONTACTS (n) | CAT. NO. (NOTE.2) | DIMENSIONS (NOTE.3) |         |         |
|----------|---------------------|-------------------|---------------------|---------|---------|
|          |                     |                   | F ± 5               | G ± 0.3 | H ± 0.1 |
|          | 4                   | HFW4S-2STAE1LF    | 28.4                | 24      | —       |
|          | 5                   | HFW5S-2STAE1LF    | 28.4                | 24      | —       |
|          | 6                   | HFW6S-2STAE1LF    | 28.4                | 24      | —       |
|          | 7                   | HFW7S-2STAE1LF    | 28.4                | 24      | —       |
|          | 8                   | HFW8S-2STAE1LF    | 28.4                | 24      | —       |
|          | 9                   | HFW9S-2STAE1LF    | 28.4                | 24      | —       |
|          | 10                  | HFW10S-2STAE1LF   | 28.4                | 24      | —       |
|          | 11                  | HFW11S-2STAE1LF   | 28.4                | 24      | —       |
|          | 12                  | HFW12S-2STAE1LF   | 28.4                | 24      | —       |
|          | 13                  | HFW13S-2STAE1LF   | 28.4                | 24      | —       |
|          | 14                  | HFW14S-2STAE1LF   | 36.4                | 32      | 28.4    |
|          | 15                  | HFW15S-2STAE1LF   | 36.4                | 32      | 28.4    |
|          | 16                  | HFW16S-2STAE1LF   | 36.4                | 32      | 28.4    |
|          | 17                  | HFW17S-2STAE1LF   | 36.4                | 32      | 28.4    |
|          | 18                  | HFW18S-2STAE1LF   | 48.4                | 44      | 40.4    |
|          | 19                  | HFW19S-2STAE1LF   | 48.4                | 44      | 40.4    |
|          | 20                  | HFW20S-2STAE1LF   | 48.4                | 44      | 40.4    |
|          | 21                  | HFW21S-2STAE1LF   | 48.4                | 44      | 40.4    |
|          | 22                  | HFW22S-2STAE1LF   | 48.4                | 44      | 40.4    |
|          | 23                  | HFW23S-2STAE1LF   | 48.4                | 44      | 40.4    |
|          | 24                  | HFW24S-2STAE1LF   | 48.4                | 44      | 40.4    |
|          | 25                  | HFW25S-2STAE1LF   | 48.4                | 44      | 40.4    |
|          | 26                  | HFW26S-2STAE1LF   | 48.4                | 44      | 40.4    |
|          | 27                  | HFW27S-2STAE1LF   | 48.4                | 44      | 40.4    |
|          | 28                  | HFW28S-2STAE1LF   | 48.4                | 44      | 40.4    |
|          | 29                  | HFW29S-2STAE1LF   | 60.4                | 56      | 52.4    |
|          | 30                  | HFW30S-2STAE1LF   | 60.4                | 56      | 52.4    |
| *        | 31                  | HFW31S-2STAE1LF   | 60.4                | 56      | 52.4    |
|          | 32                  | HFW32S-2STAE1LF   | 60.4                | 56      | 52.4    |
| *        | 33                  | HFW33S-2STAE1LF   | 60.4                | 56      | 52.4    |



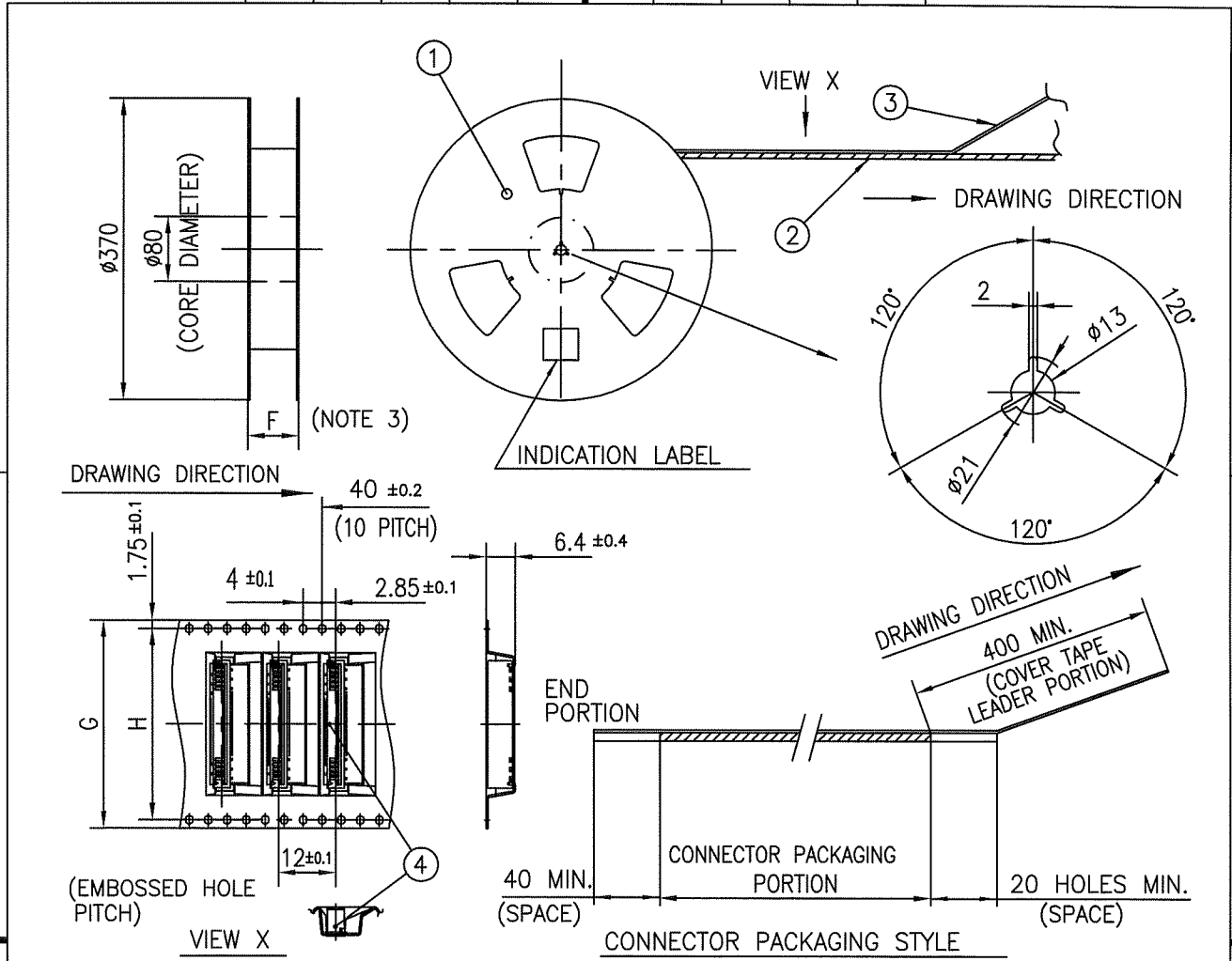
1. THIS PRODUCT IS THE CONNECTOR DESIGNED TO TERMINATE FPC/FFC AND COPEs WITH AUTOMATIC MOUNTING (SMT).
2. THIS CATALOG NO. INDICATES PLASTIC TAPE PACKAGED CONNECTOR.
3. SEE PART DRAWINGS FOR DIMENSIONS F~H.
4. PLEASE CONSULT US IN CASE OF USING PARTS WITH \* MARK.



FCIconnect.com

Copyright FCI.

|             |          |                                   |            |                                       |                       |   |  |              |  |
|-------------|----------|-----------------------------------|------------|---------------------------------------|-----------------------|---|--|--------------|--|
| mat'l. code |          | surface <sup>58</sup> / tolerance |            | projection                            |                       | product family  |  | CODE         |  |
|             |          | ISO 1302 ✓ / ISO 406 / ISO 1101   |            |                                       |                       | 580F  |  | JP           |  |
| ltr         | ecn no   | dr                                | date       | tolerances unless otherwise specified |                       | title   |  |              |  |
| A           | J07-0502 | H.T                               | 2007-10-10 | angles                                | linear                | CAT. NO. TABLE FOR PLASTIC TAPE PACKAGED 1mm SPACING SMT CONN. (CAT.No.HFW__S-2STAE1LF) |  |              |  |
|             |          |                                   |            |                                       |                       | mm  |  | scale X      |  |
|             |          |                                   |            | dr                                    | <i>H. Shrivastava</i> | 2007-10-10  |  | dwg no       |  |
|             |          |                                   |            | enr                                   | <i>H. Shrivastava</i> | 2007-10-10  |  | sheet 1 of 1 |  |
|             |          |                                   |            | chr                                   | <i>R. Shrivastava</i> | 2007-10-10  |  | size         |  |
|             |          |                                   |            | app                                   | <i>D. D. D. D.</i>    | 2007-10-10  |  | A4           |  |
| sheet index |          | revision                          |            | type                                  |                       | Product Customer Drawing  |  | Rev.         |  |
| 1           |          | A                                 |            |                                       |                       |   |  | A            |  |



| PT. NO. | PARTS NAME              | CAT. NO.     | MATERIAL          | Q'TY  | NOTE               |
|---------|-------------------------|--------------|-------------------|-------|--------------------|
| 1       | REEL                    | _____        | CARDBOARD         | 1     | COLOR:GRAY         |
| 2       | PLASTIC (EMBOSSED) TAPE | _____        | PET               | _____ | COLOR:TRANSPARENCY |
| 3       | COVER                   | _____        | POLYESTER         | _____ | COLOR:TRANSPARENCY |
| 4       | CONNECTOR               | HFWS-2STA-LF | SEE ATTACHED DWG. | 1000  | _____              |

NOTES

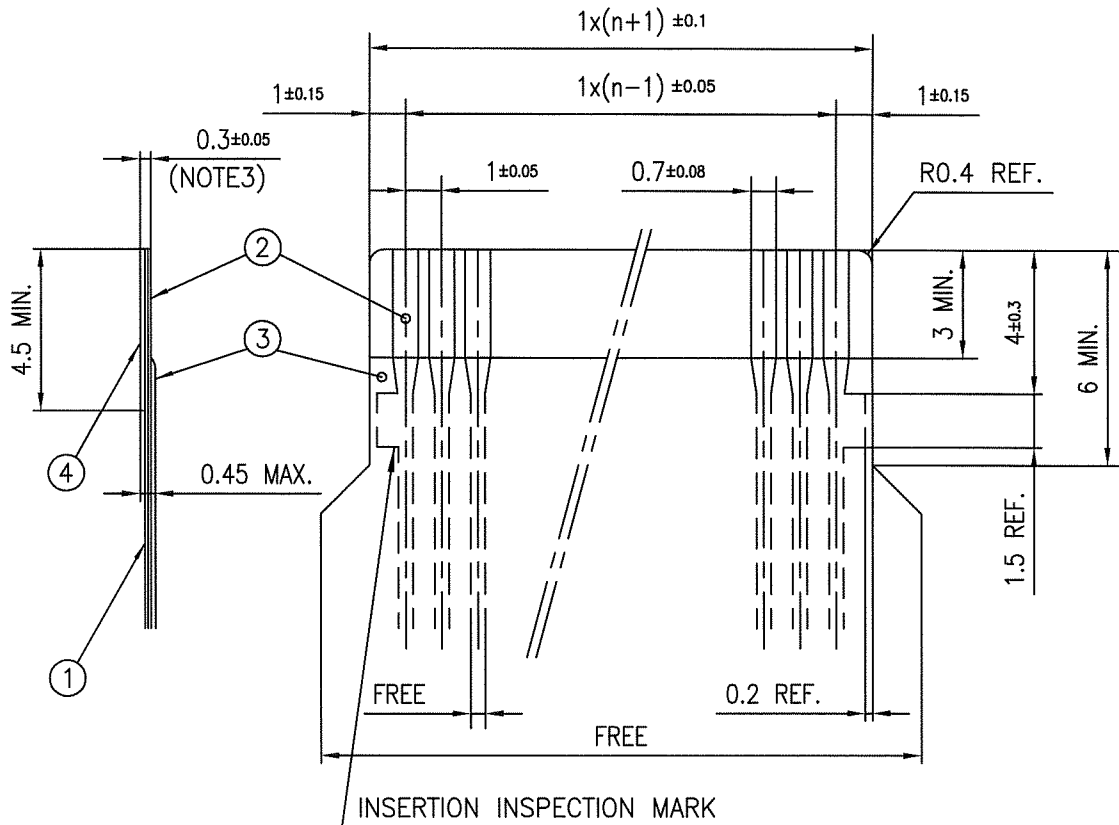
1. THIS IS PLASTIC TAPE PACKAGED CONNECTOR USED FOR FPC/FFC AND COPES WITH AUTOMATIC MOUNTING (SMT).
2. SEE JIS C 0806 (PACKING OF ELECTRONIC COMPONENTS ON CONTINUOUS TAPES (SURFACE MOUNTING DEVICES)) FOR SHAPE AND DIMENSIONS OF PLASTIC (EMBOSSED) TAPE AND REEL.
3. F DIMENSION IS PORTION OF THE CORE.

|             |          |                         |            |                                       |        |            |  |   |  |                   |  |
|-------------|----------|-------------------------|------------|---------------------------------------|--------|------------|--|---|--|-------------------|--|
| mat'l. code |          | surface 58 / ISO 1302 ✓ |            | tolerance ISO 406 / ISO 1101          |        | projection |  | product family 580F   |  | CODE JP           |  |
| ltr         | ecn no   | dr                      | date       | tolerances unless otherwise specified |        | mm         |  | title   |  |                   |  |
| A           | J07-0502 | H.T.                    | 2007-10-10 | angles                                | linear | mm         |  | PLASTIC TAPE PACKAGED<br>1mm SPACING SMT CONNECTOR<br>(CAT.No.HFWS-2STA1LF) |  |                   |  |
|             |          |                         |            | ±5°                                   |        | scale X    |  | dwg no  |  | sheet 1 of 1 size |  |
|             |          |                         |            | dr                                    | engr   | FCI        |  | JSA 97372   |  | A4                |  |
|             |          |                         |            | chr                                   | appd   |            |  | type Product Customer Drawing   |  |                   |  |
| sheet index |          | revision sheet          |            | A 1                                   |        |            |  |   |  | Rev A             |  |

SC-HFWS06 JSA97371  
form: A4

RECOMMENDED CABLE (FPC)

n : NO. OF CONDUCTORS



| PT. NO. | DISCRIPTION     | MATERIAL                             | THICKNESS ( $\mu\text{m}$ ) |
|---------|-----------------|--------------------------------------|-----------------------------|
| 1       | BASE FILM       | POLYIMIDE OR POLYESTER OR EQUIVALENT | 25                          |
| 2       | CONDUCTOR       | COPPER FOIL (PLATING : GOLD.)        | 35                          |
| 3       | OVERLAY         | POLYIMIDE OR POLYESTER OR EQUIVALENT | —                           |
| 4       | SUPPORTING TAPE | POLYESTER OR POLYIMIDE OR EQUIVALENT | 188                         |

NOTES

1. NO BURR AT EACH PORTION.
2. NO PEELING IN COMMON USE.
3. TOTAL THICKNESS LIMIT OF EACH MATERIAL (INCLUDING ADHESIVE AGENT) IS SPECIFIED.

|             |  |                |  |                                 |  |                                  |  |                |  |   |  |              |  |
|-------------|--|----------------|--|---------------------------------|--|----------------------------------|--|----------------|--|---|--|--------------|--|
| mat'l. code |  |                |  | surface $\sqrt{58}$<br>ISO 1302 |  | tolerance<br>ISO 406<br>ISO 1101 |  | projection<br> |  | product family<br>580F                      |  | CODE<br>JP   |  |
| litr        |  |                |  | ecn no                          |  | dr                               |  | date           |  | title                                       |  |              |  |
| A           |  |                |  | J07-0502                        |  | H.T.                             |  | 2007-10-10     |  | RECOMMENDED CABLE<br>(CAT.No.HFW__S-2STA__) |  |              |  |
|             |  |                |  | angles                          |  | linear                           |  | mm             |  |   |  |              |  |
|             |  |                |  |                                 |  |                                  |  | scale $\times$ |  |   |  |              |  |
|             |  |                |  | dr                              |  | 2007-10-10                       |  | FCI            |  | dwg no                                      |  | sheet 1 of 1 |  |
|             |  |                |  | enr                             |  | 2007-10-10                       |  |                |  | JSA 97373                                   |  | size<br>A4   |  |
|             |  |                |  | chr                             |  | 2007-10-10                       |  |                |  | type Product Customer Drawing               |  |              |  |
|             |  |                |  | appd                            |  | 2007-10-10                       |  |                |  |   |  |              |  |
| sheet index |  | revision sheet |  | A                               |  | 1                                |  |                |  |   |  | Rev<br>A     |  |



Компания «ЭлектроПласт» предлагает заключение долгосрочных отношений при поставках импортных электронных компонентов на взаимовыгодных условиях!

Наши преимущества:

- Оперативные поставки широкого спектра электронных компонентов отечественного и импортного производства напрямую от производителей и с крупнейших мировых складов;
- Поставка более 17-ти миллионов наименований электронных компонентов;
- Поставка сложных, дефицитных, либо снятых с производства позиций;
- Оперативные сроки поставки под заказ (от 5 рабочих дней);
- Экспресс доставка в любую точку России;
- Техническая поддержка проекта, помощь в подборе аналогов, поставка прототипов;
- Система менеджмента качества сертифицирована по Международному стандарту ISO 9001;
- Лицензия ФСБ на осуществление работ с использованием сведений, составляющих государственную тайну;
- Поставка специализированных компонентов (Xilinx, Altera, Analog Devices, Intersil, Interpoint, Microsemi, Aeroflex, Peregrine, Syfer, Eurofarad, Texas Instrument, Miteq, Cobham, E2V, MA-COM, Hittite, Mini-Circuits, General Dynamics и др.);

Помимо этого, одним из направлений компании «ЭлектроПласт» является направление «Источники питания». Мы предлагаем Вам помощь Конструкторского отдела:

- Подбор оптимального решения, техническое обоснование при выборе компонента;
- Подбор аналогов;
- Консультации по применению компонента;
- Поставка образцов и прототипов;
- Техническая поддержка проекта;
- Защита от снятия компонента с производства.



#### Как с нами связаться

**Телефон:** 8 (812) 309 58 32 (многоканальный)

**Факс:** 8 (812) 320-02-42

**Электронная почта:** [org@eplast1.ru](mailto:org@eplast1.ru)

**Адрес:** 198099, г. Санкт-Петербург, ул. Калинина, дом 2, корпус 4, литера А.