



FCIconnect.com

Copyright FCI.

Configuration of Documents

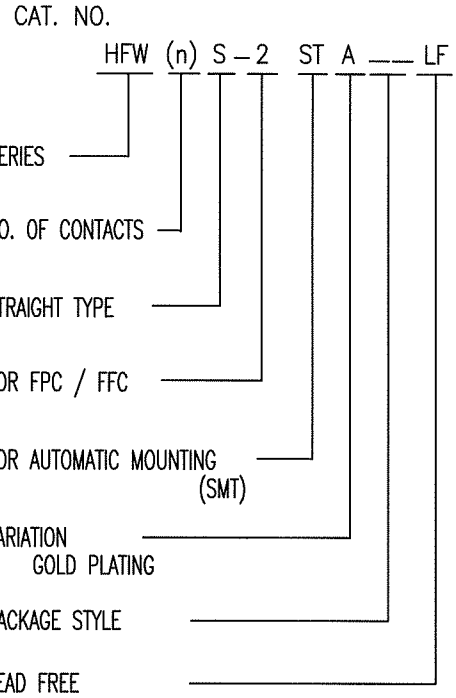
| P/N | Documents | No. | Title | CAT.No. |
|----------------|------------------------------|----------------------------------|---|-------------------------------|
| HFW_S-2STAE1LF | Specification Connector dwg. | SC-HFWS03 | CONNECTOR USED FOR FPC/FFC WITH 1mm CONTACT SPACING COPING WITH AUTOMATIC MOUNTING &SMT | HFW_S-2ST1LF |
| | | JSA96464 | CAT.NO.TABLE FOR 1mm SPACING SMT CONNECTOR | HFW_S-2ST_LF |
| | | JSA96465 | 1mm SPACING SURFACE MOUNT FPC/FFC CONNECTOR | HFW_S-2ST_LF |
| | | JSA96466 | CAT. NO. TABLE FOR PLASTIC TAPE PACKAGED 1mm SPACING SMT CONN. | HFW_S-2ST1LF |
| | Cable dwg. | JSA96467 JSA93588 JSA93587 | PLASTIC TAPE PACKAGED 1mm SPACING SMT CONNECTOR RECOMMENDED CABLE | HFW_S-2ST1LF HFW_S-2ST_ |
| HFW_S-2STAE1LF | Specification Connector dwg. | SC-HFWS06 | CONNECTOR USED FOR CIC WITH 1mm CONTACT SPACING COPING WITH AUTOMATIC MOUNTING &SMT | HFW_S-2STAE1LF |
| | | JSA97359 | CAT.NO.TABLE FOR 1mm SPACING SMT CONNECTOR | HFW_S-2STA_LF |
| | | JSA97370 | 1mm SPACING SURFACE MOUNT FPC/FFC CONNECTOR | HFW_S-2STA_LF |
| | | JSA97371 | CAT. NO. TABLE FOR PLASTIC TAPE PACKAGED 1mm SPACING SMT CONN. | HFW_S-2STAE1LF |
| | Cable dwg. | JSA97372 JSA97373 | PLASTIC TAPE PACKAGED 1mm SPACING SMT CONNECTOR RECOMMENDED CABLE | HFW_S-2STAE1LF HFW_S-2STA_ |
| HFW_S-2STBE1LF | Specification Connector dwg. | SC-HFWS06 | CONNECTOR USED FOR CIC WITH 1mm CONTACT SPACING COPING WITH AUTOMATIC MOUNTING &SMT | HFW_S-2STBE1LF |
| | | JSA97359 | CAT.NO.TABLE FOR 1mm SPACING SMT CONNECTOR | HFW_S-2STB_LF |
| | | JSA97360 | 1mm SPACING SURFACE MOUNT FPC/FFC CONNECTOR | HFW_S-2STB_LF |
| | | JSA97361 | CAT. NO. TABLE FOR PLASTIC TAPE PACKAGED 1mm SPACING SMT CONN. | HFW_S-2STBE1LF |
| | Cable dwg. | JSA97362 JSA97363 | PLASTIC TAPE PACKAGED 1mm SPACING SMT CONNECTOR RECOMMENDED CABLE | HFW_S-2STBE1LF HFW_S-2STB_ |
| HFW_S-6STAE1LF | Specification Connector dwg. | SC-HFWS04 | CONNECTOR USED FOR CIC WITH 1mm CONTACT SPACING COPING WITH AUTOMATIC MOUNTING &SMT | HFW_S-6STAE1LF |
| | | JSA96468 | CAT.NO.TABLE FOR 1mm SPACING SMT CONNECTOR | HFW_S-6ST_LF |
| | | JSA96469 | 1mm SPACING SURFACE MOUNT CIC CONNECTOR | HFW_S-6ST_LF |
| | | JSA96470 | CAT. NO. TABLE FOR PLASTIC TAPE PACKAGED 1mm SPACING SMT CONN. | HFW_S-6STAE1LF |
| | Cable dwg. | JSA96471 JSA93944 | PLASTIC TAPE PACKAGED 1mm SPACING SMT CONNECTOR RECOMMENDED CABLE | HFW_S-6STAE1LF HFW_S-6ST_ |

| | | | | | | | | | | |
|-------------|----------------|-----|------------|--|--------|------------|--|---|--|---------|
| mat'l. code | | | | surface 58 / tolerance ISO 1302 / ISO 406 / ISO 1101 | | projection | | product family 580F | | CODE JP |
| ltr | ecn no | dr | date | tolerances unless otherwise specified | | mm | | title | | |
| A | J05-0334 | H.T | 6/3/05 | angles | linear | mm | | HFW_S Documents Configuration (1mm Contact Spacing connector) | | |
| B | J06-0435 | H.T | 10/26/06 | | | scale | | dwg no sheet 1 of 1 size | | |
| C | J07-0481 | H.T | 2007-9-26 | | | X | | JSA96472 A4 | | |
| D | J07-0502 | H.T | 2007-10-10 | dr | engr | FCI | | type Product Customer Drawing | | |
| | | | | chr | appd | | | Rev D | | |
| sheet index | revision sheet | D | 1 | | | | | | | |

form: A4

CAT. NO. & DIMENSIONS

| (NOTE 3) | NO. OF CONTACTS (n) | CAT. NO. | DIMENSIONS (NOTE2) | | | | |
|----------|---------------------|-----------------|--------------------|---------|---------|---------|---------|
| | | | A ± 0.2 | B ± 0.2 | C ± 0.2 | D ± 0.2 | E ± 0.2 |
| | 4 | HFW4S-2STA__LF | 7 | 5.14 | 3 | — | — |
| | 5 | HFW5S-2STA__LF | 8 | 6.14 | 4 | — | — |
| | 6 | HFW6S-2STA__LF | 9 | 7.14 | 5 | — | — |
| | 7 | HFW7S-2STA__LF | 10 | 8.14 | 6 | — | — |
| | 8 | HFW8S-2STA__LF | 11 | 9.14 | 7 | — | — |
| | 9 | HFW9S-2STA__LF | 12 | 10.14 | 8 | 0.35 | 7.3 |
| | 10 | HFW10S-2STA__LF | 13 | 11.14 | 9 | 0.35 | 8.3 |
| | 11 | HFW11S-2STA__LF | 14 | 12.14 | 10 | 1.35 | 7.3 |
| | 12 | HFW12S-2STA__LF | 15 | 13.14 | 11 | 1.35 | 8.3 |
| | 13 | HFW13S-2STA__LF | 16 | 14.14 | 12 | 2.35 | 7.3 |
| | 14 | HFW14S-2STA__LF | 17 | 15.14 | 13 | 2.35 | 8.3 |
| | 15 | HFW15S-2STA__LF | 18 | 16.14 | 14 | 3.35 | 7.3 |
| | 16 | HFW16S-2STA__LF | 19 | 17.14 | 15 | 3.35 | 8.3 |
| | 17 | HFW17S-2STA__LF | 20 | 18.14 | 16 | 4.35 | 7.3 |
| | 18 | HFW18S-2STA__LF | 21 | 19.14 | 17 | 4.35 | 8.3 |
| | 19 | HFW19S-2STA__LF | 22 | 20.14 | 18 | 5.35 | 7.3 |
| | 20 | HFW20S-2STA__LF | 23 | 21.14 | 19 | 5.35 | 8.3 |
| | 21 | HFW21S-2STA__LF | 24 | 22.14 | 20 | 6.35 | 7.3 |
| | 22 | HFW22S-2STA__LF | 25 | 23.14 | 21 | 6.35 | 8.3 |
| | 23 | HFW23S-2STA__LF | 26 | 24.14 | 22 | 7.35 | 7.3 |
| | 24 | HFW24S-2STA__LF | 27 | 25.14 | 23 | 7.35 | 8.3 |
| | 25 | HFW25S-2STA__LF | 28 | 26.14 | 24 | 8.35 | 7.3 |
| | 26 | HFW26S-2STA__LF | 29 | 27.14 | 25 | 8.35 | 8.3 |
| | 27 | HFW27S-2STA__LF | 30 | 28.14 | 26 | 9.35 | 7.3 |
| | 28 | HFW28S-2STA__LF | 31 | 29.14 | 27 | 9.35 | 8.3 |
| | 29 | HFW29S-2STA__LF | 32 | 30.14 | 28 | 10.35 | 7.3 |
| | 30 | HFW30S-2STA__LF | 33 | 31.14 | 29 | 10.35 | 8.3 |
| * | 31 | HFW31S-2STA__LF | 34 | 32.14 | 30 | 11.35 | 7.3 |
| | 32 | HFW32S-2STA__LF | 35 | 33.14 | 31 | 11.35 | 8.3 |
| * | 33 | HFW33S-2STA__LF | 36 | 34.14 | 32 | 12.35 | 7.3 |



NOTES

1. THIS PRODUCT IS THE CONNECTOR DSIGNED TO TERMINATE FPC/FFC AND COPEs WITH AUTOMATIC MOUNTING (SMT).
2. SEE PART DRAWINGS FOR DIMENSIONS A~E.
3. PLEASE CONSULT US IN CASE OF USING PARTS WITH * MARK.



FCIconnect.com

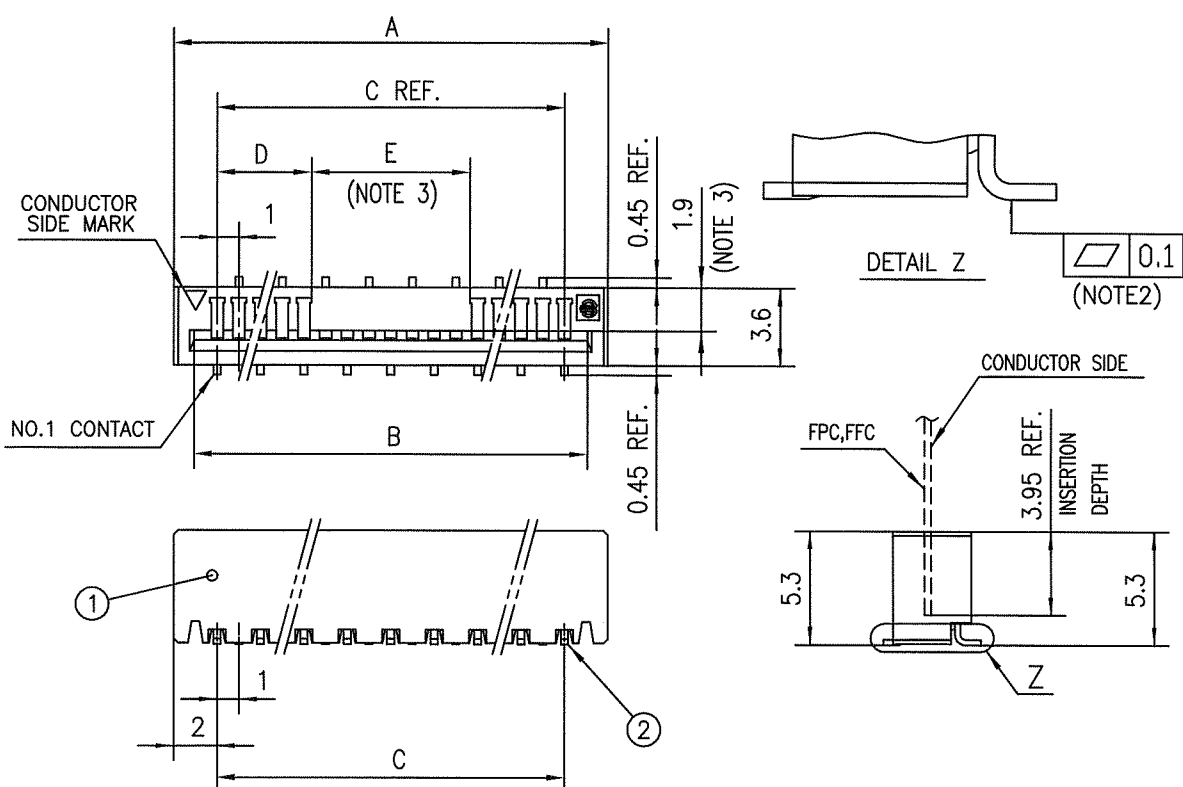
Copyright FCI.

| | | | | | | | | | | | |
|-------------------------------|--|------------|--|---------------------------------------|--|------------|--|--|--|-------------------|--|
| mat'l. code | | | | surface ⁵⁸ / tolerance | | projection | | product family | | CODE | |
| | | | | ISO 1302 ✓ / ISO 406 / ISO 1101 | | | | 580F | | JP | |
| ltr | | | | tolerances unless otherwise specified | | mm | | title | | | |
| A J07-0502 dr H.T. 2007-10-10 | | | | angles linear | | ← → | | CAT NO. TABLE FOR 1mm SPACING SMT CONNECTOR (CAT.No.HFW__S-2STA__LF) | | | |
| | | | | dr | | scale X | | dwg no | | sheet 1 of 1 size | |
| | | | | enr | | | | JSA 97369 | | A4 | |
| | | | | chr | | | | type Product Customer Drawing | | | |
| | | | | appd | | | | | | | |
| sheet index | | revision A | | | | | | | | Rev A | |
| | | sheet 1 | | | | | | | | D | |



FCIconnect.com

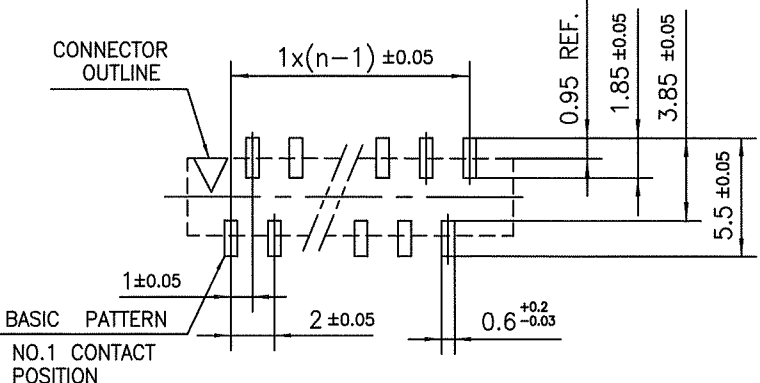
Copyright FCI.



| PT. NO. | PARTS NAME | MATERIAL | Q'TY | NOTE |
|---------|------------|---------------------------------------|------|----------------|
| 1 | HOUSING | PA6T RESIN GLASS REINFORCED (UL94V-0) | 1 | COLOR : BLACK |
| 2 | CONTACT | PHOSPHOR BRONZE | n | PLATING : GOLD |

n : NO. OF CONTACTS

RECOMMENDED PC BOARD LAYOUT
(COMPONENT SIDE)



NOTES

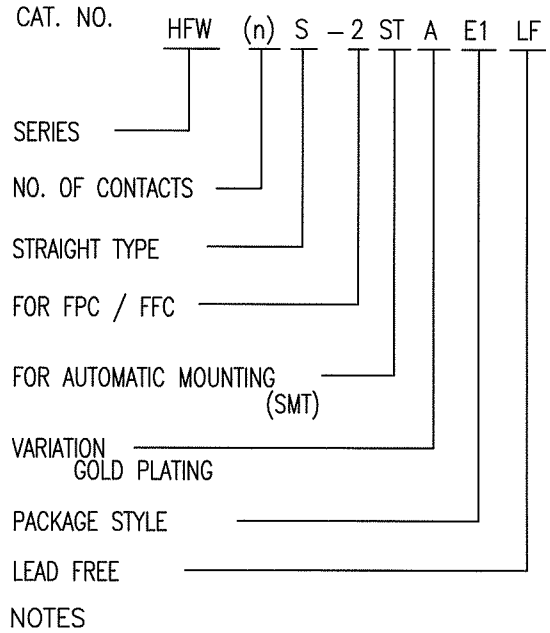
1. THIS PRODUCT IS THE CONNECTOR DSIGNED TO TERMINATE FPC/FFC AND COPEs WITH AUTOMATIC MOUNTING (SMT).
2. FLATNESS OF CONTACT TERMINAL MUST BE WITHIN TOLERANCE IN Z PORTION DETAILED DRAWING.
3. THIS DIMENSION IS SPACE FOR THE NOZZLE OF MOUNTER.
4. THIS PRODUCT MEETS EUROPEAN UNION DIRECTIVES AND OTHER COUNTRY REGULATIONS AS DESCRIBED IN GS-22-008
5. THE HOUSING WILL WITHSTAND EXPOSURE TO 260°C PEAK TEMPERATURE FOR 10 SECONDS IN A REFLOW SOLDERING OVEN.

| | | | | | | | | | |
|-------------|----------|--|------------|---------------------------------------|-------------|---------------------|--|--|--|
| mat'l. code | | surface 58 / tolerance ISO 1302 / ISO 406 / ISO 1101 | | projection | | product family 580F | | CODE JP | |
| ltr | ecn no | dr | date | tolerances unless otherwise specified | | title | | 1mm SPACING SURFACE MOUNT FPC/FFC CONNECTOR (CAT.No.HFW__S-2STA__LF) | |
| A | J07-0502 | H.T | 2007-10-10 | angles | linear ±0.2 | mm | | dwg no JSA 97370 | |
| sheet index | | revision sheet | | dr | | scale | | sheet 1 of 1 size A4 | |
| | | A 1 | | engr | | X | | type Product Customer Drawing | |
| | | | | chr | | FCI | | Rev A | |
| | | | | appd | | | | | |

SC-HFWS06 JSA97369 form: A4

CAT. NO. & DIMENSIONS

| (NOTE.4) | NO. OF CONTACTS (n) | CAT. NO. (NOTE.2) | DIMENSIONS (NOTE.3) | | |
|----------|---------------------|-------------------|---------------------|---------|---------|
| | | | F ± 5 | G ± 0.3 | H ± 0.1 |
| | 4 | HFW4S-2STAE1LF | 28.4 | 24 | — |
| | 5 | HFW5S-2STAE1LF | 28.4 | 24 | — |
| | 6 | HFW6S-2STAE1LF | 28.4 | 24 | — |
| | 7 | HFW7S-2STAE1LF | 28.4 | 24 | — |
| | 8 | HFW8S-2STAE1LF | 28.4 | 24 | — |
| | 9 | HFW9S-2STAE1LF | 28.4 | 24 | — |
| | 10 | HFW10S-2STAE1LF | 28.4 | 24 | — |
| | 11 | HFW11S-2STAE1LF | 28.4 | 24 | — |
| | 12 | HFW12S-2STAE1LF | 28.4 | 24 | — |
| | 13 | HFW13S-2STAE1LF | 28.4 | 24 | — |
| | 14 | HFW14S-2STAE1LF | 36.4 | 32 | 28.4 |
| | 15 | HFW15S-2STAE1LF | 36.4 | 32 | 28.4 |
| | 16 | HFW16S-2STAE1LF | 36.4 | 32 | 28.4 |
| | 17 | HFW17S-2STAE1LF | 36.4 | 32 | 28.4 |
| | 18 | HFW18S-2STAE1LF | 48.4 | 44 | 40.4 |
| | 19 | HFW19S-2STAE1LF | 48.4 | 44 | 40.4 |
| | 20 | HFW20S-2STAE1LF | 48.4 | 44 | 40.4 |
| | 21 | HFW21S-2STAE1LF | 48.4 | 44 | 40.4 |
| | 22 | HFW22S-2STAE1LF | 48.4 | 44 | 40.4 |
| | 23 | HFW23S-2STAE1LF | 48.4 | 44 | 40.4 |
| | 24 | HFW24S-2STAE1LF | 48.4 | 44 | 40.4 |
| | 25 | HFW25S-2STAE1LF | 48.4 | 44 | 40.4 |
| | 26 | HFW26S-2STAE1LF | 48.4 | 44 | 40.4 |
| | 27 | HFW27S-2STAE1LF | 48.4 | 44 | 40.4 |
| | 28 | HFW28S-2STAE1LF | 48.4 | 44 | 40.4 |
| | 29 | HFW29S-2STAE1LF | 60.4 | 56 | 52.4 |
| | 30 | HFW30S-2STAE1LF | 60.4 | 56 | 52.4 |
| * | 31 | HFW31S-2STAE1LF | 60.4 | 56 | 52.4 |
| | 32 | HFW32S-2STAE1LF | 60.4 | 56 | 52.4 |
| * | 33 | HFW33S-2STAE1LF | 60.4 | 56 | 52.4 |



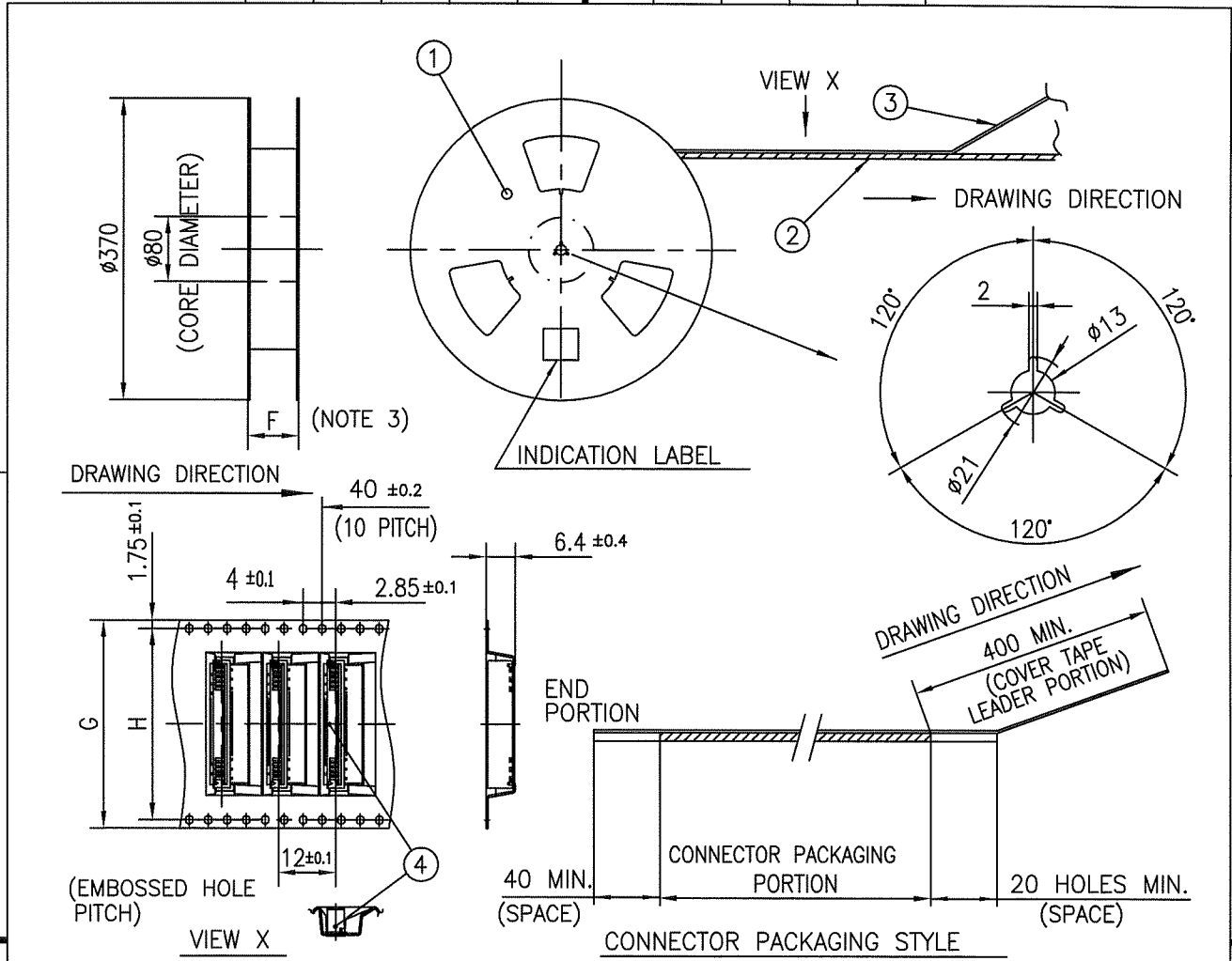
- THIS PRODUCT IS THE CONNECTOR DESIGNED TO TERMINATE FPC/FFC AND COPEs WITH AUTOMATIC MOUNTING (SMT).
- THIS CATALOG NO. INDICATES PLASTIC TAPE PACKAGED CONNECTOR.
- SEE PART DRAWINGS FOR DIMENSIONS F~H.
- PLEASE CONSULT US IN CASE OF USING PARTS WITH * MARK.



FCIconnect.com

Copyright FCI.

| | | | | | | | | | |
|-------------|----------|-----|----------------------------------|---|------------|---|------|--------------|--------|
| mat'l. code | | | | surface ⁵⁸ / tolerance | projection | product family | 580F | CODE JP | |
| | | | | ISO 1302 <input checked="" type="checkbox"/> / ISO 406 / ISO 1101 | | title | | | |
| ltr | ecn no | dr | date | tolerances unless otherwise specified | mm | CAT. NO. TABLE FOR PLASTIC TAPE PACKAGED 1mm SPACING SMT CONN. (CAT.No.HFW__S-2STAE1LF) | | | |
| A | J07-0502 | H.T | 2007-10-10 | angles | ↔ | dwg no | | sheet 1 of 1 | |
| | | | | linear | ∞ | JSA 97371 | | size A4 | |
| | | dr | <i>H. Shrivastava</i> 2007-10-10 | | | type Product Customer Drawing | | | |
| | | enr | <i>H. Shrivastava</i> 2007-10-10 | | | | | | Rev. A |
| | | chr | <i>R. Shrivastava</i> 2007-10-10 | | | | | | |
| | | app | <i>D. DeLaurin</i> 2007-10-10 | | | | | | |
| sheet index | revision | A | 1 | | | | | | |



| PT. NO. | PARTS NAME | CAT. NO. | MATERIAL | Q'TY | NOTE |
|---------|-------------------------|--------------|-------------------|-------|--------------------|
| 1 | REEL | _____ | CARDBOARD | 1 | COLOR:GRAY |
| 2 | PLASTIC (EMBOSSED) TAPE | _____ | PET | _____ | COLOR:TRANSPARENCY |
| 3 | COVER | _____ | POLYESTER | _____ | COLOR:TRANSPARENCY |
| 4 | CONNECTOR | HFWS-2STA-LF | SEE ATTACHED DWG. | 1000 | _____ |

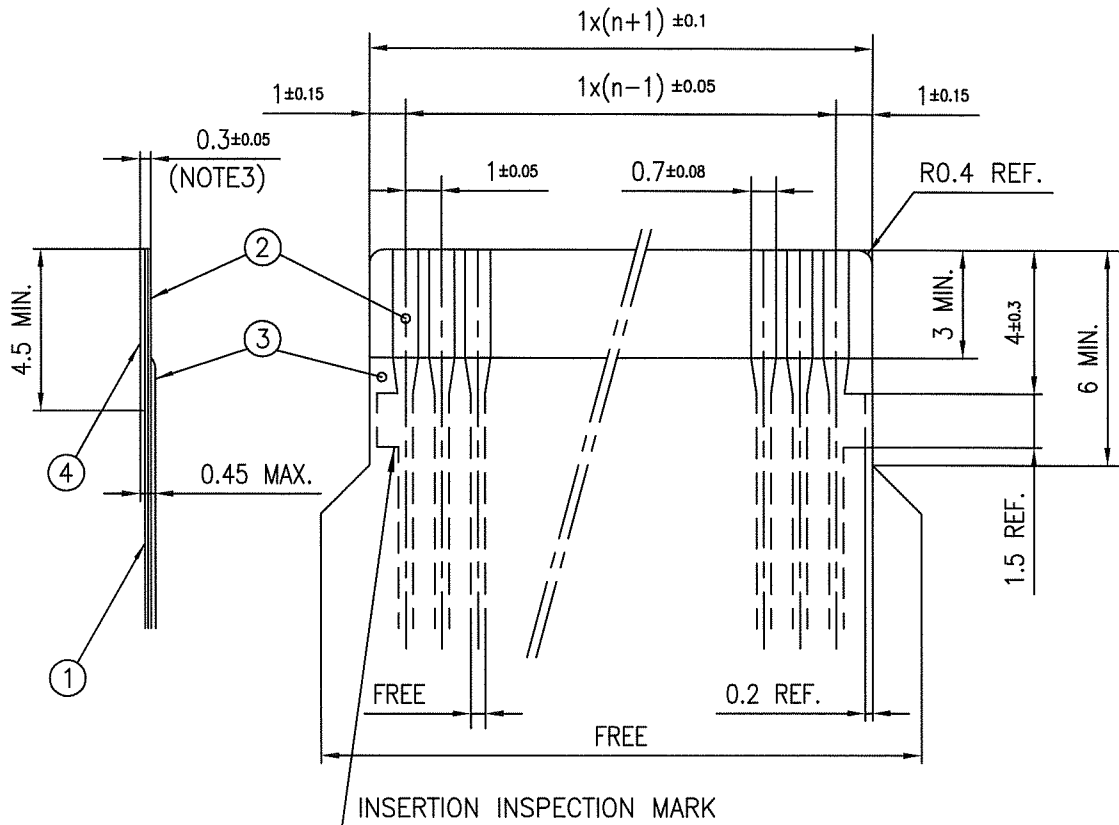
- NOTES
1. THIS IS PLASTIC TAPE PACKAGED CONNECTOR USED FOR FPC/FFC AND COPES WITH AUTOMATIC MOUNTING (SMT).
 2. SEE JIS C 0806 (PACKING OF ELECTRONIC COMPONENTS ON CONTINUOUS TAPES (SURFACE MOUNTING DEVICES)) FOR SHAPE AND DIMENSIONS OF PLASTIC (EMBOSSED) TAPE AND REEL.
 3. F DIMENSION IS PORTION OF THE CORE.

| | | | | | | | | | | | |
|-------------|----------|--------------------------|------------|---------------------------------------|--------|------------------|--|---|--|--------------------------|------|
| mat'l. code | | surface 58 ISO 1302 ✓ | | tolerance ISO 406 ISO 1101 | | projection mm | | product family 580F | | CODE JP | |
| ltr | ecn no | dr | date | tolerances unless otherwise specified | | mm | | title PLASTIC TAPE PACKAGED 1mm SPACING SMT CONNECTOR (CAT.No.HFWS-2STAE1LF) | | | |
| A | J07-0502 | H.T. | 2007-10-10 | angles | linear | mm | | dwg no | | sheet 1 of 1 | size |
| | | | | ±5° | | scale X | | JSA 97372 | | | A4 |
| sheet index | | revision | A | dr | engr | FCI | | type | | Product Customer Drawing | |
| sheet | | 1 | | chr | appd | | | | | Rev A | |

SC-HFWS06 JSA97371
form: A4

RECOMMENDED CABLE (FPC)

n : NO. OF CONDUCTORS



| PT. NO. | DISCRIPTION | MATERIAL | THICKNESS (μm) |
|---------|-----------------|--------------------------------------|-----------------------------|
| 1 | BASE FILM | POLYIMIDE OR POLYESTER OR EQUIVALENT | 25 |
| 2 | CONDUCTOR | COPPER FOIL (PLATING : GOLD.) | 35 |
| 3 | OVERLAY | POLYIMIDE OR POLYESTER OR EQUIVALENT | — |
| 4 | SUPPORTING TAPE | POLYESTER OR POLYIMIDE OR EQUIVALENT | 188 |

NOTES

1. NO BURR AT EACH PORTION.
2. NO PEELING IN COMMON USE.
3. TOTAL THICKNESS LIMIT OF EACH MATERIAL (INCLUDING ADHESIVE AGENT) IS SPECIFIED.

| | | | | | | | | | |
|-------------|----------|--|------------|---------------------------------------|------------|---------------------|--|--|--|
| mat'l. code | | surface $\sqrt{58}$ / tolerance ISO 406 / ISO 1101 | | projection | | product family 580F | | CODE JP | |
| ltr | ecn no | dr | date | tolerances unless otherwise specified | | title | | RECOMMENDED CABLE (CAT.No.HFW__S-2STA__) | |
| A | J07-0502 | H.T | 2007-10-10 | angles | linear | mm | | dwg no JSA 97373 | |
| sheet index | | revision sheet | A 1 | dr | 2007-10-10 | scale \times | | sheet 1 of 1 size A4 | |
| | | | | enr | 2007-10-10 | FCI | | type Product Customer Drawing | |
| | | | | chr | 2007-10-10 | | | Rev A | |
| | | | | appd | 2007-10-10 | | | | |



Компания «ЭлектроПласт» предлагает заключение долгосрочных отношений при поставках импортных электронных компонентов на взаимовыгодных условиях!

Наши преимущества:

- Оперативные поставки широкого спектра электронных компонентов отечественного и импортного производства напрямую от производителей и с крупнейших мировых складов;
- Поставка более 17-ти миллионов наименований электронных компонентов;
- Поставка сложных, дефицитных, либо снятых с производства позиций;
- Оперативные сроки поставки под заказ (от 5 рабочих дней);
- Экспресс доставка в любую точку России;
- Техническая поддержка проекта, помощь в подборе аналогов, поставка прототипов;
- Система менеджмента качества сертифицирована по Международному стандарту ISO 9001;
- Лицензия ФСБ на осуществление работ с использованием сведений, составляющих государственную тайну;
- Поставка специализированных компонентов (Xilinx, Altera, Analog Devices, Intersil, Interpoint, Microsemi, Aeroflex, Peregrine, Syfer, Eurofarad, Texas Instrument, Miteq, Cobham, E2V, MA-COM, Hittite, Mini-Circuits, General Dynamics и др.);

Помимо этого, одним из направлений компании «ЭлектроПласт» является направление «Источники питания». Мы предлагаем Вам помощь Конструкторского отдела:

- Подбор оптимального решения, техническое обоснование при выборе компонента;
- Подбор аналогов;
- Консультации по применению компонента;
- Поставка образцов и прототипов;
- Техническая поддержка проекта;
- Защита от снятия компонента с производства.



Как с нами связаться

Телефон: 8 (812) 309 58 32 (многоканальный)

Факс: 8 (812) 320-02-42

Электронная почта: org@eplast1.ru

Адрес: 198099, г. Санкт-Петербург, ул. Калинина, дом 2, корпус 4, литера А.