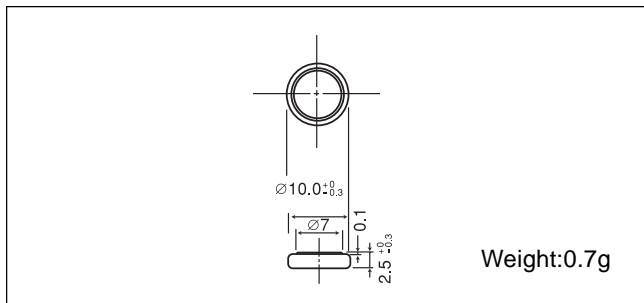


# Manganese Dioxide Lithium Coin Batteries: Individual Specifications

## CR1025

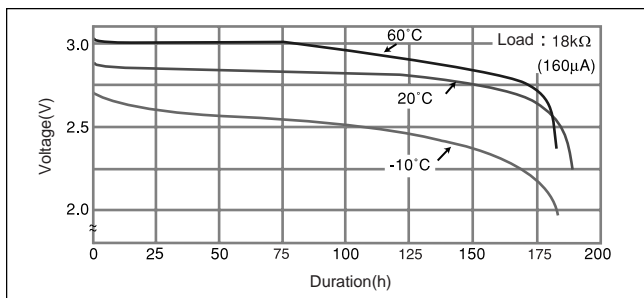
### ■ Dimensions(mm)



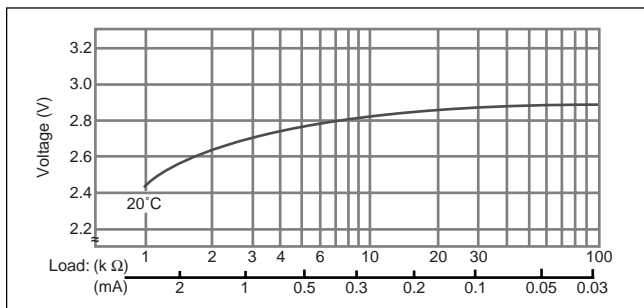
### ■ Specification

Nominal voltage (V)	3
Nominal capacity (mAh)	30
Continuous standard load (mA)	0.1
Operating temperature (C)	-30 ~ +60

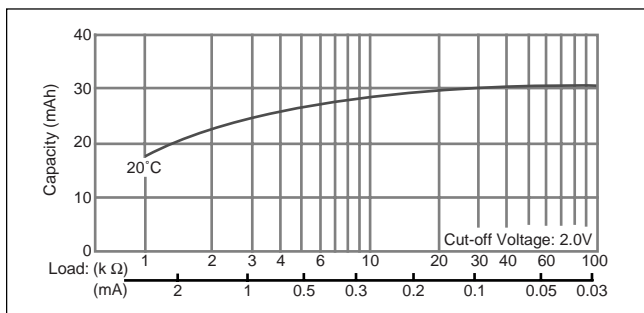
### ■ Temperature Characteristics



### ■ Operating voltage vs. load resistance (voltage at 50% discharge depth)

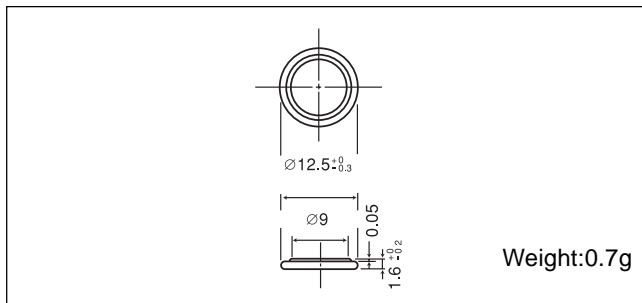


### ■ Capacity vs. load resistance



## CR1216

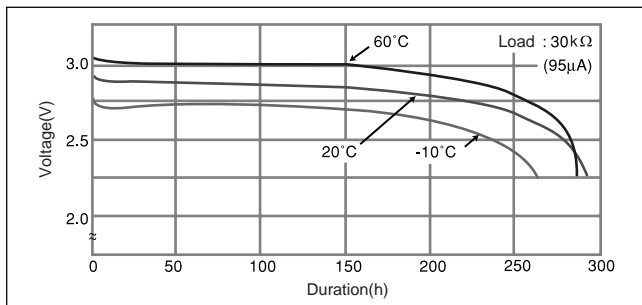
### ■ Dimensions(mm)



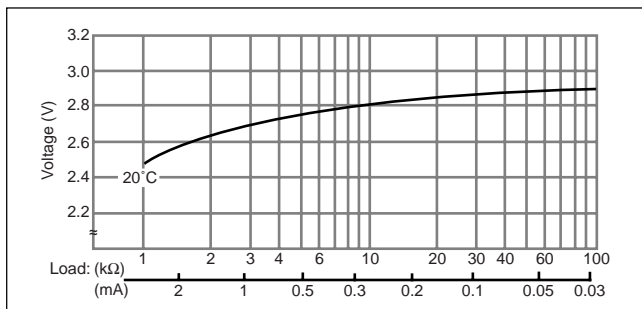
### ■ Specification

Nominal voltage (V)	3
Nominal capacity (mAh)	25
Continuous standard load (mA)	0.1
Operating temperature (C)	-30 ~ +60

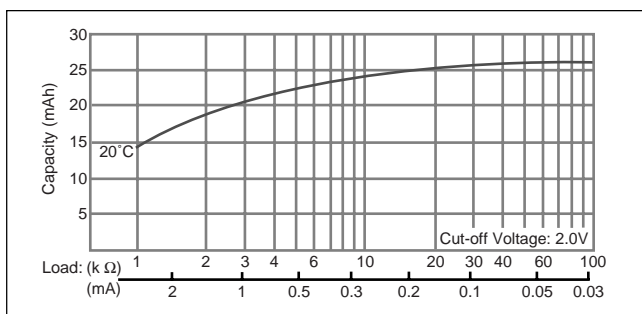
### ■ Temperature Characteristics



### ■ Operating voltage vs. load resistance (voltage at 50% discharge depth)



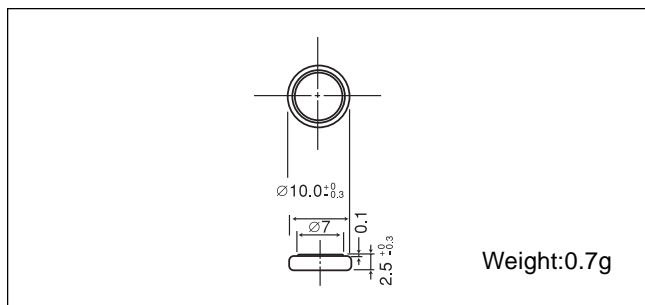
### ■ Capacity vs. load resistance



# Manganese Dioxide Lithium Coin Batteries: Individual Specifications

## CR1025

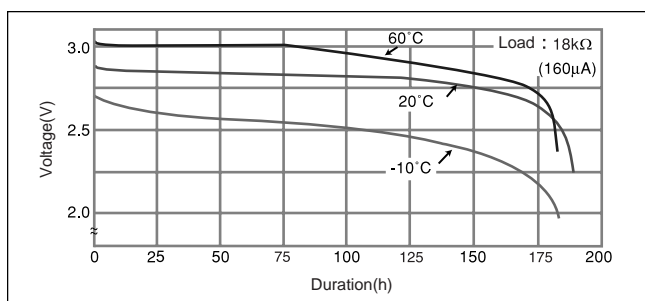
### ■ Dimensions(mm)



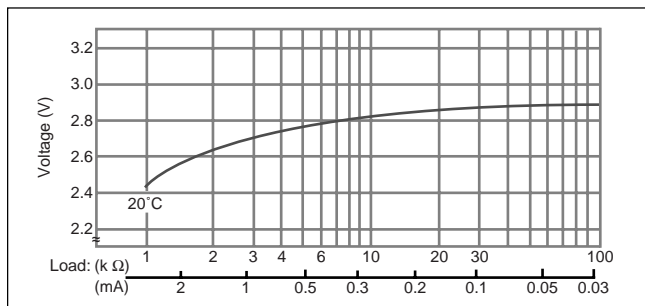
### ■ Specification

Nominal voltage (V)	3
Nominal capacity (mAh)	30
Continuous standard load (mA)	0.1
Operating temperature (C)	-30 ~ +60

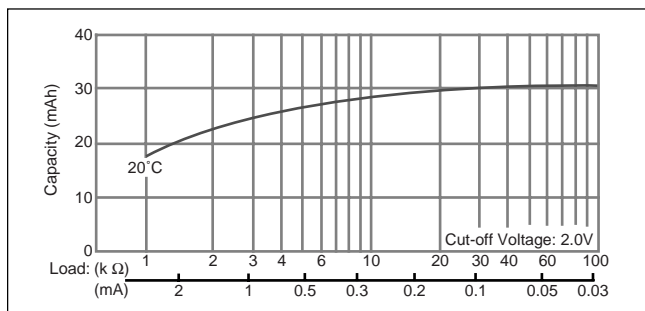
### ■ Temperature Characteristics



### ■ Operating voltage vs. load resistance (voltage at 50% discharge depth)

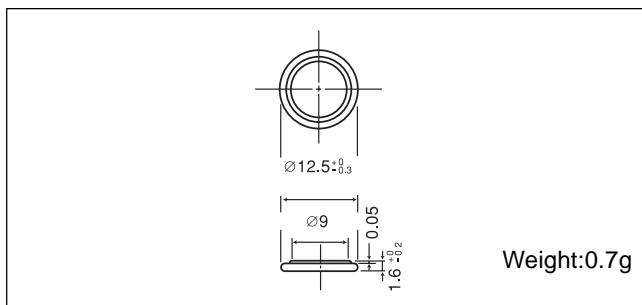


### ■ Capacity vs. load resistance



## CR1216

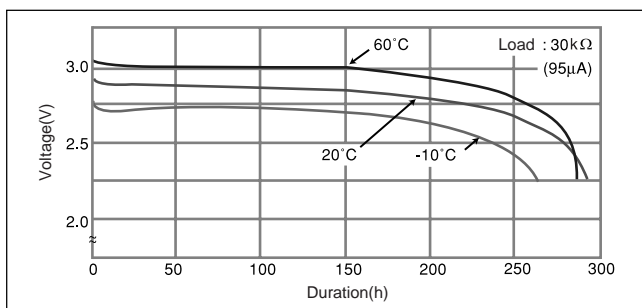
### ■ Dimensions(mm)



### ■ Specification

Nominal voltage (V)	3
Nominal capacity (mAh)	25
Continuous standard load (mA)	0.1
Operating temperature (C)	-30 ~ +60

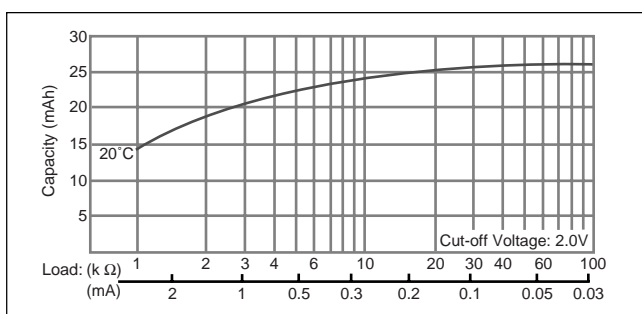
### ■ Temperature Characteristics



### ■ Operating voltage vs. load resistance (voltage at 50% discharge depth)



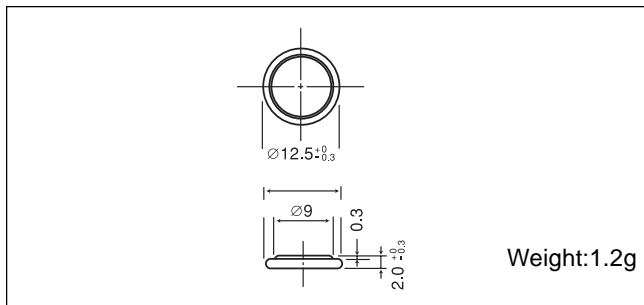
### ■ Capacity vs. load resistance



# Manganese Dioxide Lithium Coin Batteries: Individual Specifications

## CR1220

### ■ Dimensions(mm)



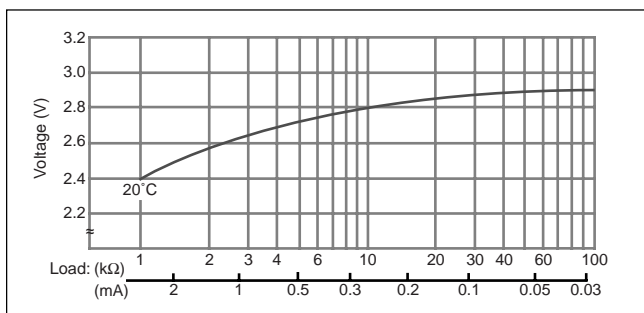
### ■ Specification

Nominal voltage (V)	3
Nominal capacity (mAh)	35
Continuous standard load (mA)	0.1
Operating temperature (C)	-30 ~ +60

### ■ Temperature Characteristics



### ■ Operating voltage vs. load resistance (voltage at 50% discharge depth)

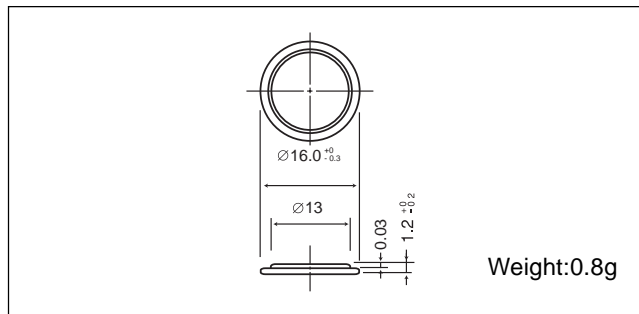


### ■ Capacity vs. load resistance



## CR1612

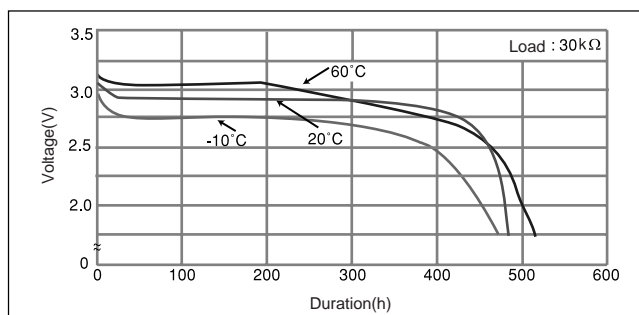
### ■ Dimensions(mm)



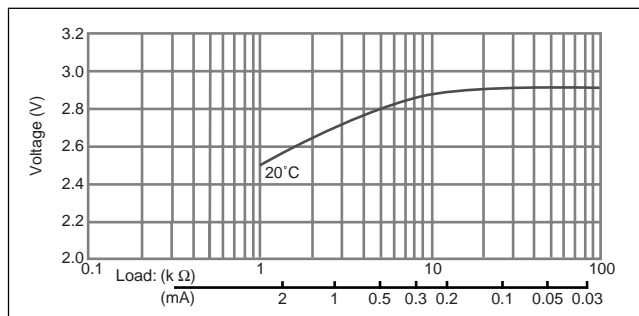
### ■ Specification

Nominal voltage (V)	3
Nominal capacity (mAh)	40
Continuous standard load (mA)	0.1
Operating temperature (C)	-30 ~ +60

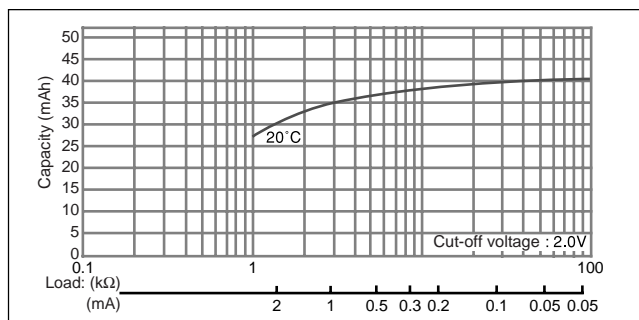
### ■ Temperature Characteristics



### ■ Operating voltage vs. load resistance (voltage at 50% discharge depth)



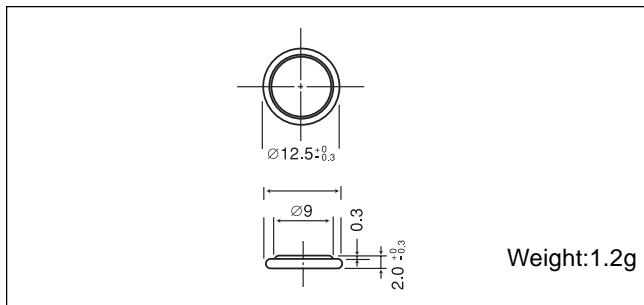
### ■ Capacity vs. load resistance



# Manganese Dioxide Lithium Coin Batteries: Individual Specifications

## CR1220

### ■ Dimensions(mm)



### ■ Specification

Nominal voltage (V)	3
Nominal capacity (mAh)	35
Continuous standard load (mA)	0.1
Operating temperature (C)	-30 ~ +60

### ■ Temperature Characteristics



### ■ Operating voltage vs. load resistance (voltage at 50% discharge depth)



### ■ Capacity vs. load resistance



## CR1612

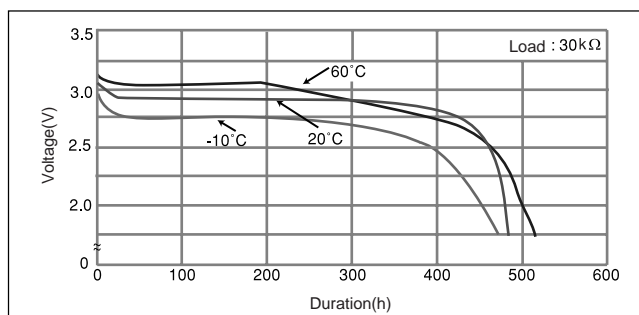
### ■ Dimensions(mm)



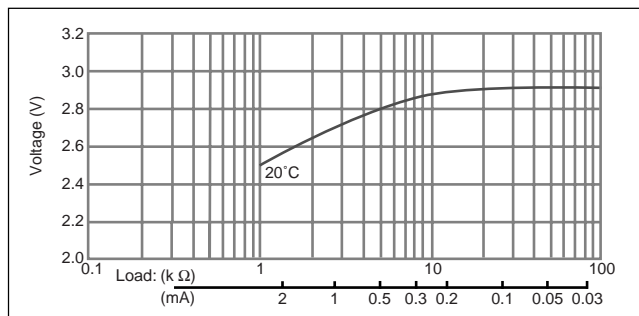
### ■ Specification

Nominal voltage (V)	3
Nominal capacity (mAh)	40
Continuous standard load (mA)	0.1
Operating temperature (C)	-30 ~ +60

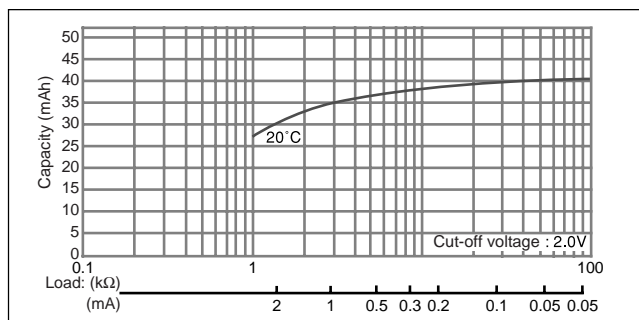
### ■ Temperature Characteristics



### ■ Operating voltage vs. load resistance (voltage at 50% discharge depth)



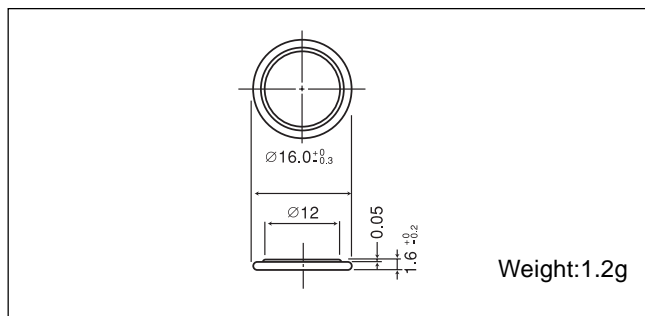
### ■ Capacity vs. load resistance



# Manganese Dioxide Lithium Coin Batteries: Individual Specifications

## CR1616

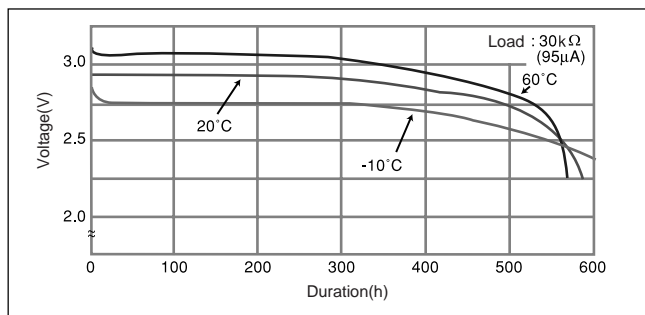
### ■ Dimensions(mm)



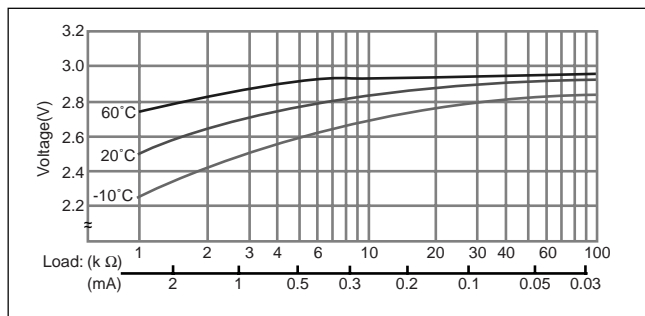
### ■ Specification

<b>Nominal voltage (V)</b>	3
<b>Nominal capacity (mAh)</b>	55
<b>Continuous standard load (mA)</b>	0.1
<b>Operating temperature (C)</b>	-30 ~ +60

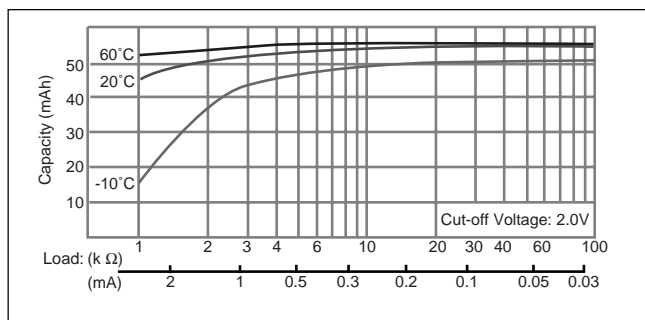
### ■ Temperature Characteristics



### ■ Operating voltage vs. load resistance (voltage at 50% discharge depth)

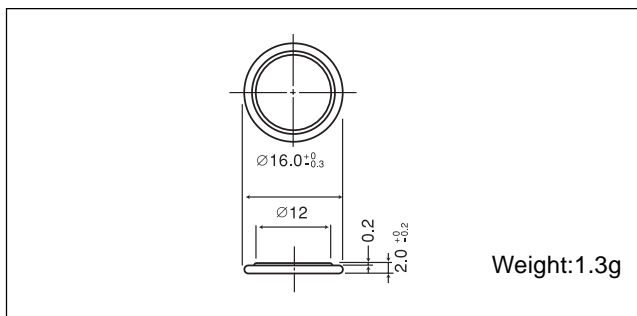


### ■ Capacity vs. load resistance



## CR1620

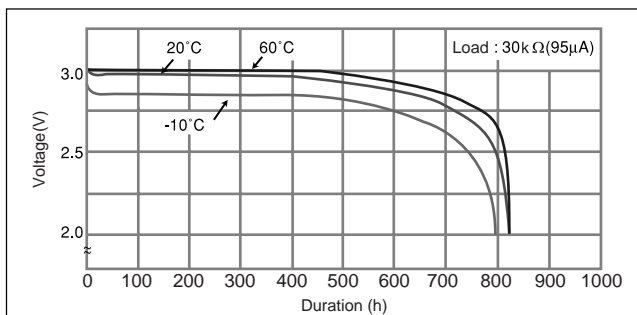
### ■ Dimensions(mm)



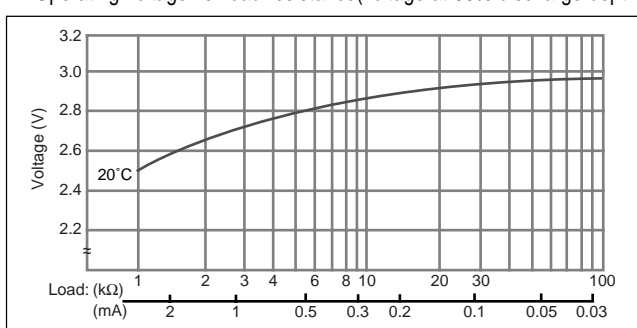
### ■ Specification

<b>Nominal voltage (V)</b>	3
<b>Nominal capacity (mAh)</b>	75
<b>Continuous standard load (mA)</b>	0.1
<b>Operating temperature (C)</b>	-30 ~ +60

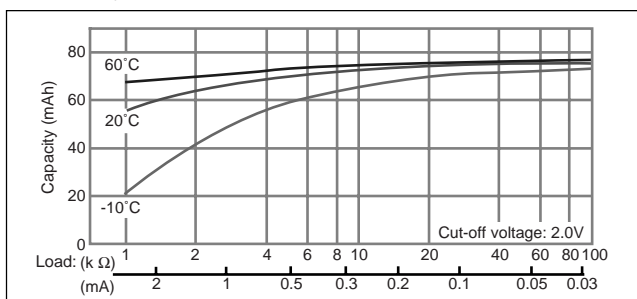
### ■ Temperature Characteristics



### ■ Operating voltage vs. load resistance (voltage at 50% discharge depth)



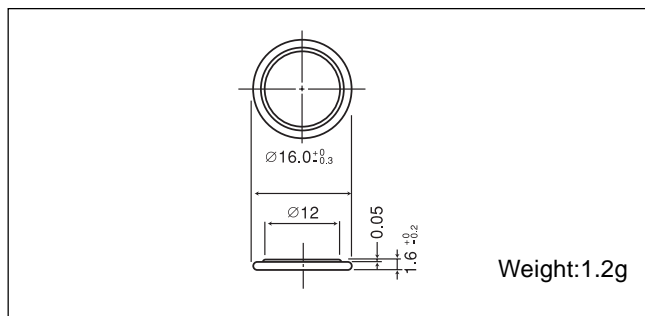
### ■ Capacity vs. load resistance



# Manganese Dioxide Lithium Coin Batteries: Individual Specifications

## CR1616

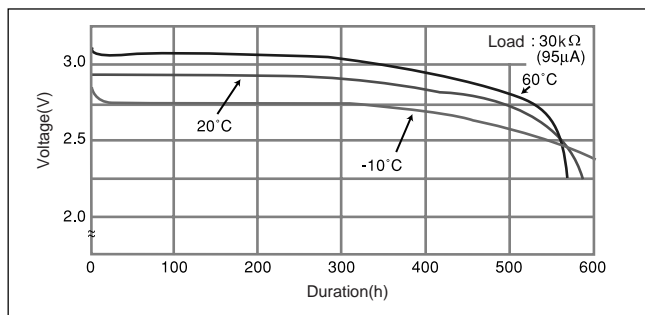
### ■ Dimensions(mm)



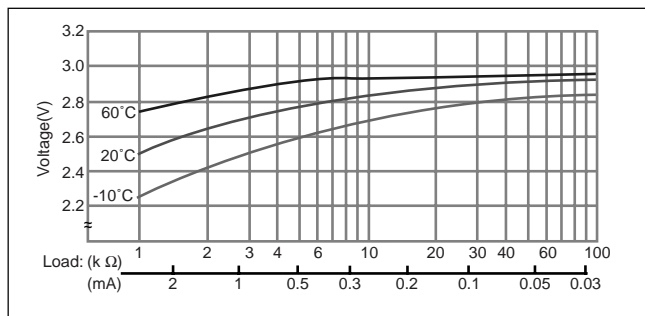
### ■ Specification

<b>Nominal voltage (V)</b>	3
<b>Nominal capacity (mAh)</b>	55
<b>Continuous standard load (mA)</b>	0.1
<b>Operating temperature (C)</b>	-30 ~ +60

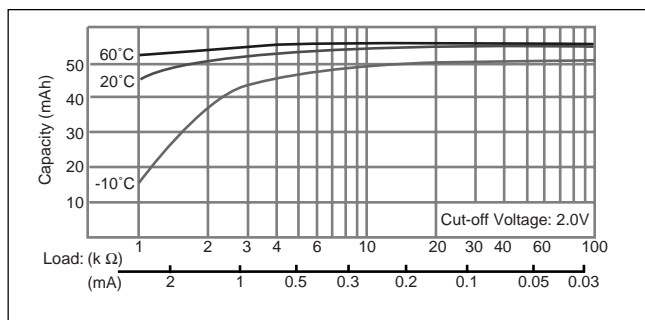
### ■ Temperature Characteristics



### ■ Operating voltage vs. load resistance (voltage at 50% discharge depth)

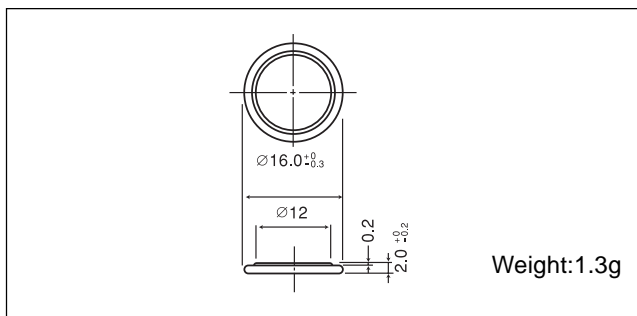


### ■ Capacity vs. load resistance



## CR1620

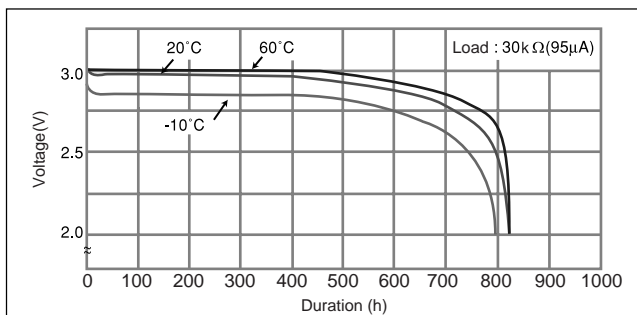
### ■ Dimensions(mm)



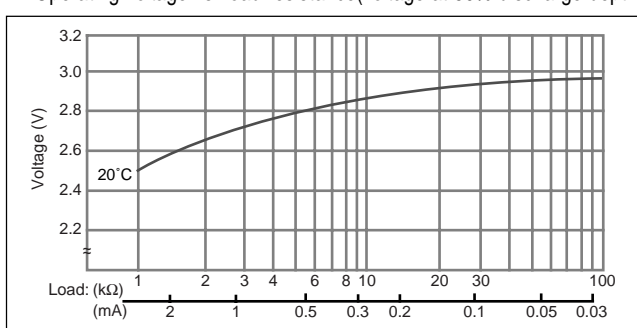
### ■ Specification

<b>Nominal voltage (V)</b>	3
<b>Nominal capacity (mAh)</b>	75
<b>Continuous standard load (mA)</b>	0.1
<b>Operating temperature (C)</b>	-30 ~ +60

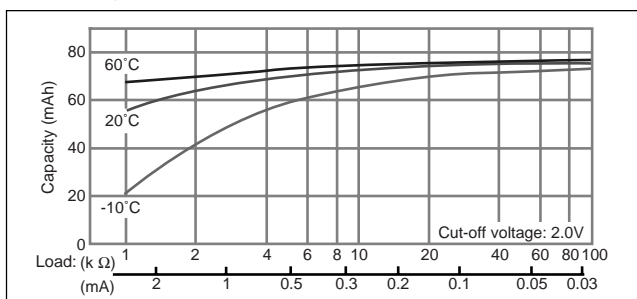
### ■ Temperature Characteristics



### ■ Operating voltage vs. load resistance (voltage at 50% discharge depth)



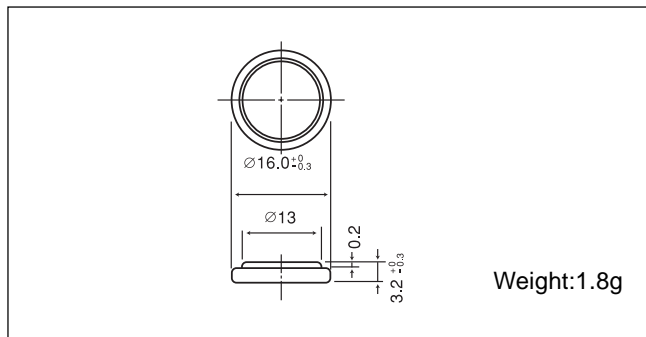
### ■ Capacity vs. load resistance



# Manganese Dioxide Lithium Coin Batteries: Individual Specifications

## CR1632

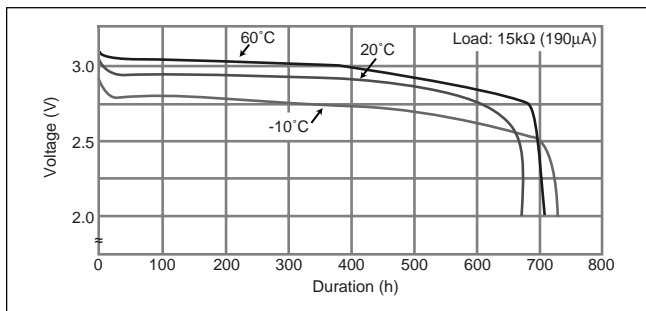
### ■ Dimensions(mm)



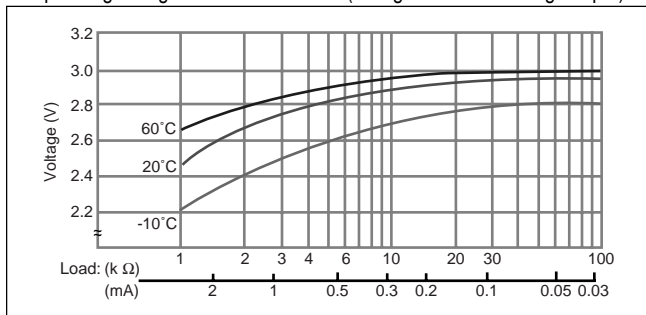
### ■ Specification

Nominal voltage (V)	3
Nominal capacity (mAh)	140
Continuous standard load (mA)	0.1
Operating temperature (C)	-30 ~ +60

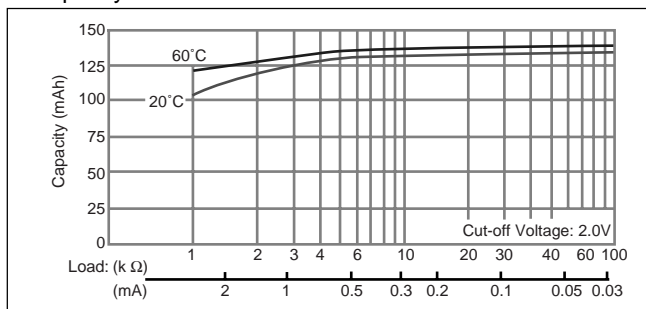
### ■ Temperature Characteristics



### ■ Operating voltage vs. load resistance (voltage at 50% discharge depth)



### ■ Capacity vs. load resistance



## CR2012

### ■ Dimensions(mm)



### ■ Specification

Nominal voltage (V)	3
Nominal capacity (mAh)	55
Continuous standard load (mA)	0.1
Operating temperature (C)	-30 ~ +60

### ■ Temperature Characteristics



### ■ Operating voltage vs. load resistance (voltage at 50% discharge depth)



### ■ Capacity vs. load resistance



# Manganese Dioxide Lithium Coin Batteries: Individual Specifications

## CR2016

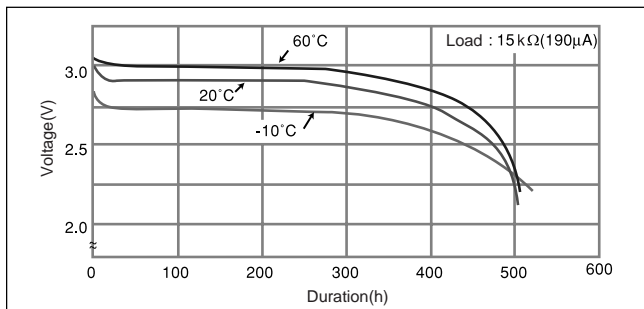
### ■ Dimensions(mm)



### ■ Specification

Nominal voltage (V)	3
Nominal capacity (mAh)	90
Continuous standard load (mA)	0.1
Operating temperature (C)	-30 ~ +60

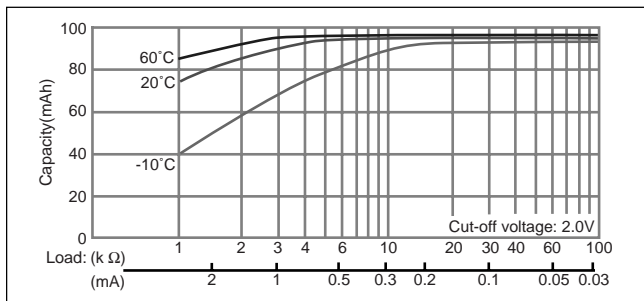
### ■ Temperature Characteristics



### ■ Operating voltage vs. load resistance (voltage at 50% discharge depth)

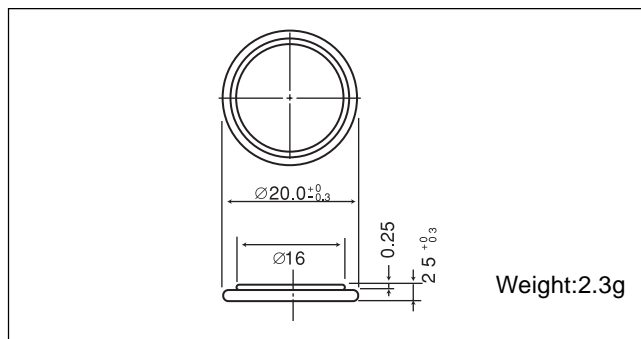


### ■ Capacity vs. load resistance



## CR2025

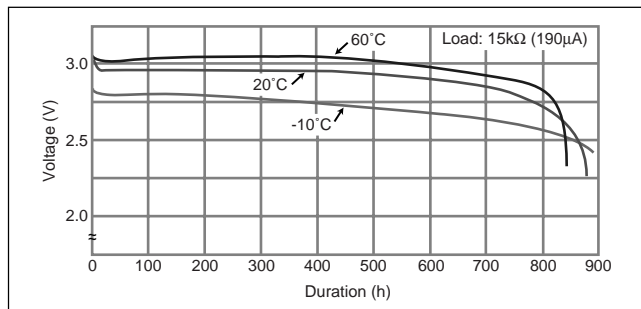
### ■ Dimensions(mm)



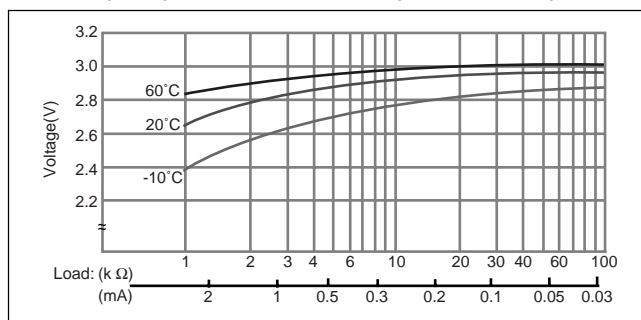
### ■ Specification

Nominal voltage (V)	3
Nominal capacity (mAh)	165
Continuous standard load (mA)	0.2
Operating temperature (C)	-30 ~ +60

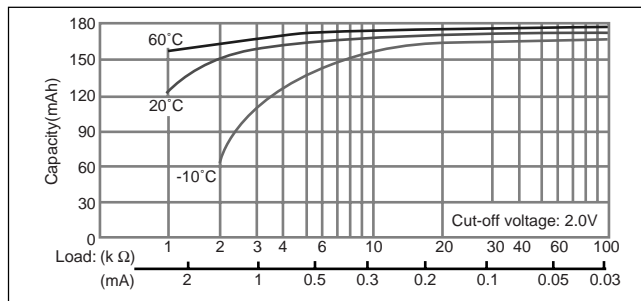
### ■ Temperature Characteristics



### ■ Operating voltage vs. load resistance (voltage at 50% discharge depth)



### ■ Capacity vs. load resistance





# Manganese Dioxide Lithium Coin Batteries: Individual Specifications

## CR2016

### ■ Dimensions(mm)



### ■ Specification

Nominal voltage (V)	3
Nominal capacity (mAh)	90
Continuous standard load (mA)	0.1
Operating temperature (C)	-30 ~ +60

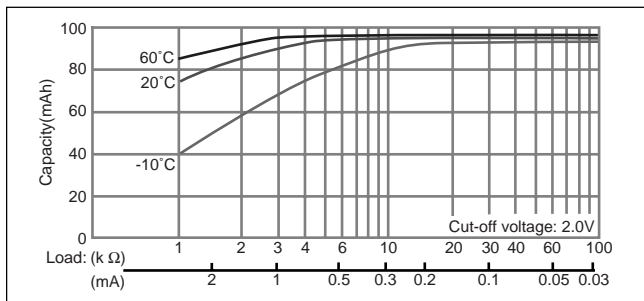
### ■ Temperature Characteristics



### ■ Operating voltage vs. load resistance (voltage at 50% discharge depth)



### ■ Capacity vs. load resistance



## CR2025

### ■ Dimensions(mm)



### ■ Specification

Nominal voltage (V)	3
Nominal capacity (mAh)	165
Continuous standard load (mA)	0.2
Operating temperature (C)	-30 ~ +60

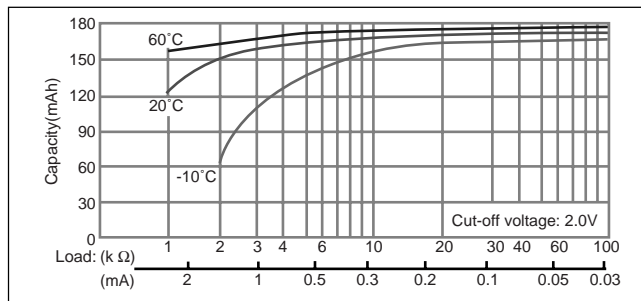
### ■ Temperature Characteristics



### ■ Operating voltage vs. load resistance (voltage at 50% discharge depth)



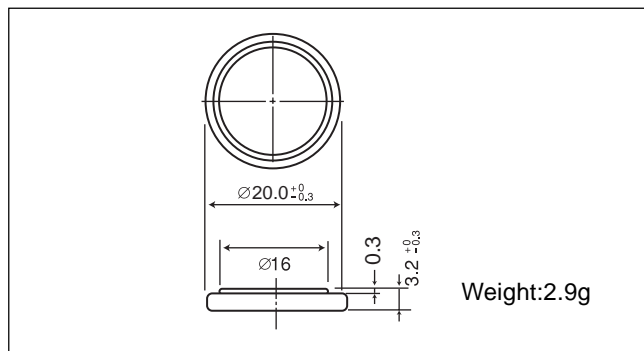
### ■ Capacity vs. load resistance



# Manganese Dioxide Lithium Coin Batteries: Individual Specifications

## CR2032

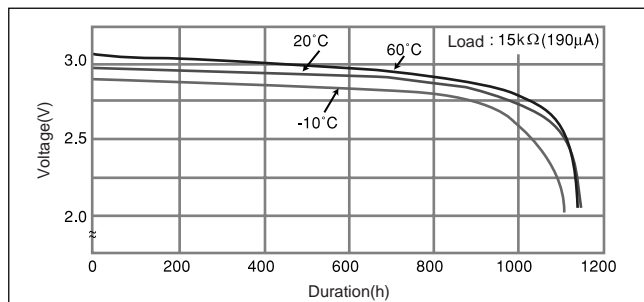
### □ Dimensions(mm)



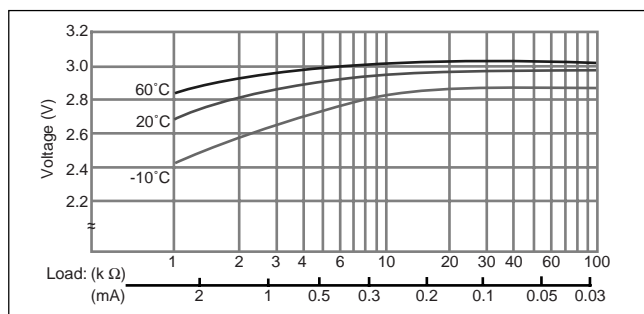
### □ Specification

Nominal voltage (V)	3
Nominal capacity (mAh)	225
Continuous standard load (mA)	0.2
Operating temperature (C)	-30 ~ +60

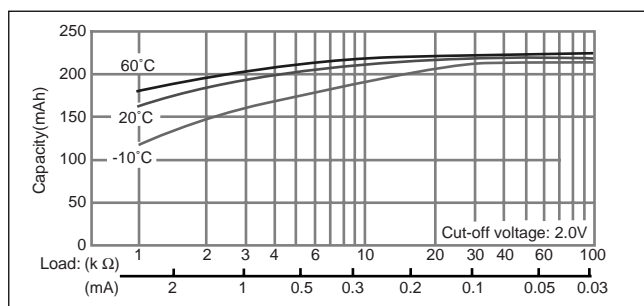
### □ Temperature Characteristics



### □ Operating voltage vs. load resistance (voltage at 50% discharge depth)

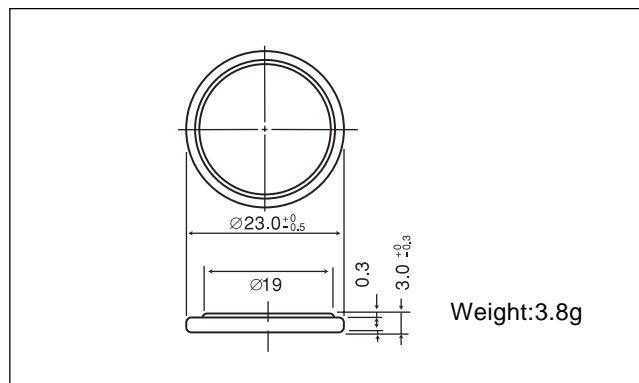


### □ Capacity vs. load resistance



## CR2330

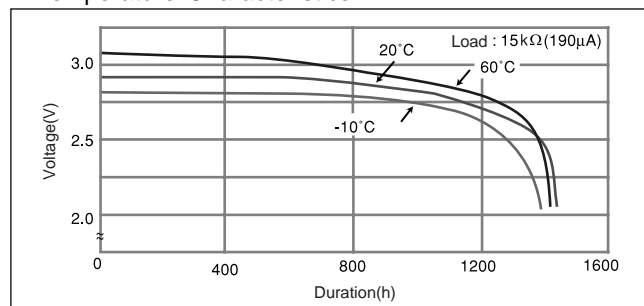
### □ Dimensions(mm)



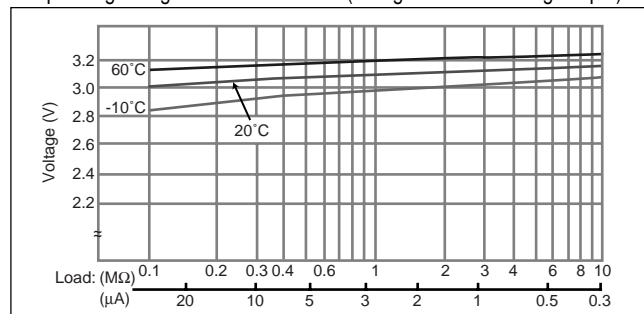
### □ Specification

Nominal voltage (V)	3
Nominal capacity (mAh)	265
Continuous standard load (mA)	0.2
Operating temperature (C)	-30 ~ +60

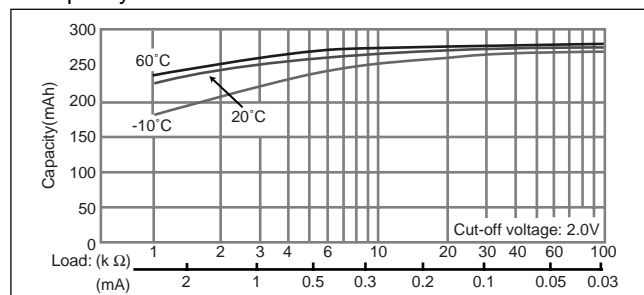
### □ Temperature Characteristics



### □ Operating voltage vs. load resistance (voltage at 50% discharge depth)



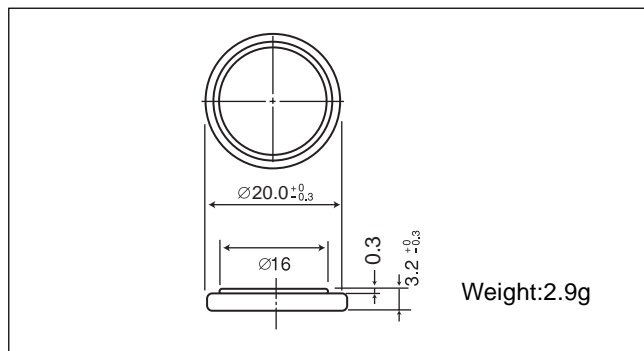
### □ Capacity vs. load resistance



# Manganese Dioxide Lithium Coin Batteries: Individual Specifications

## CR2032

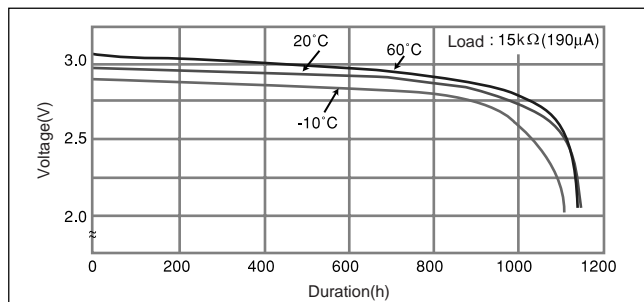
### □ Dimensions(mm)



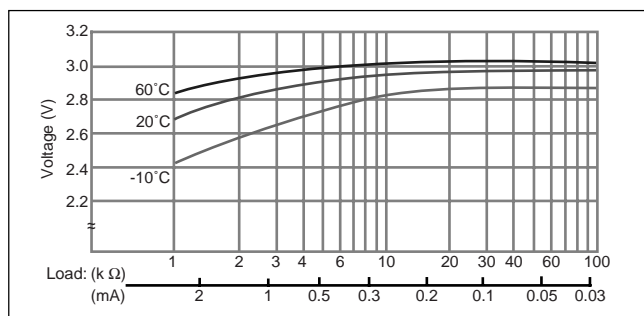
### □ Specification

Nominal voltage (V)	3
Nominal capacity (mAh)	225
Continuous standard load (mA)	0.2
Operating temperature (C)	-30 ~ +60

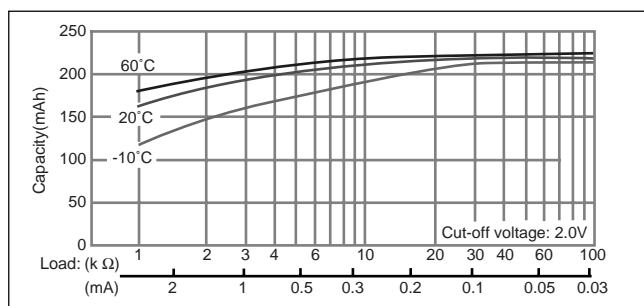
### □ Temperature Characteristics



### □ Operating voltage vs. load resistance (voltage at 50% discharge depth)

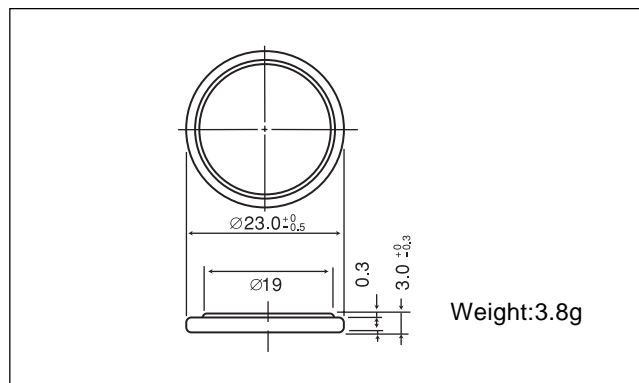


### □ Capacity vs. load resistance



## CR2330

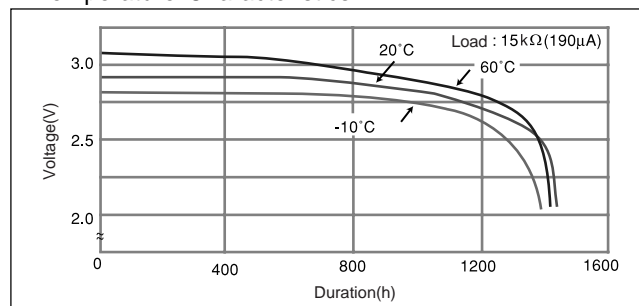
### □ Dimensions(mm)



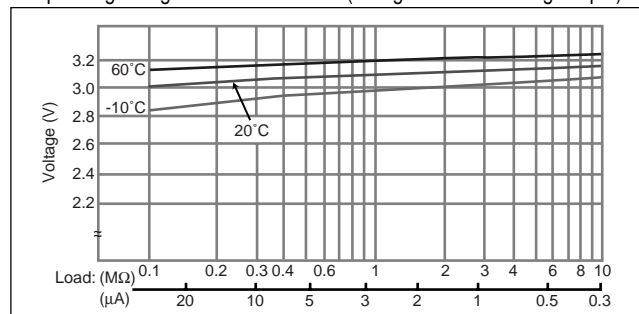
### □ Specification

Nominal voltage (V)	3
Nominal capacity (mAh)	265
Continuous standard load (mA)	0.2
Operating temperature (C)	-30 ~ +60

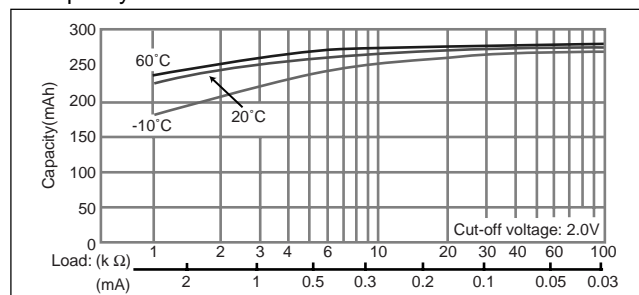
### □ Temperature Characteristics



### □ Operating voltage vs. load resistance (voltage at 50% discharge depth)



### □ Capacity vs. load resistance



# Manganese Dioxide Lithium Coin Batteries: Individual Specifications

## CR2354

### □ Dimensions(mm)



### □ Specification

<b>Nominal voltage (V)</b>	3
<b>Nominal capacity (mAh)</b>	560
<b>Continuous standard load (mA)</b>	0.2
<b>Operating temperature (C)</b>	-30 ~ +60

### □ Temperature Characteristics



### □ Operating voltage vs. load resistance (voltage at 50% discharge depth)



### □ Capacity vs. load resistance



## CR2412

### □ Dimensions(mm)



### □ Specification

<b>Nominal voltage (V)</b>	3
<b>Nominal capacity (mAh)</b>	100
<b>Continuous standard load (mA)</b>	0.2
<b>Operating temperature (C)</b>	-30 ~ +60

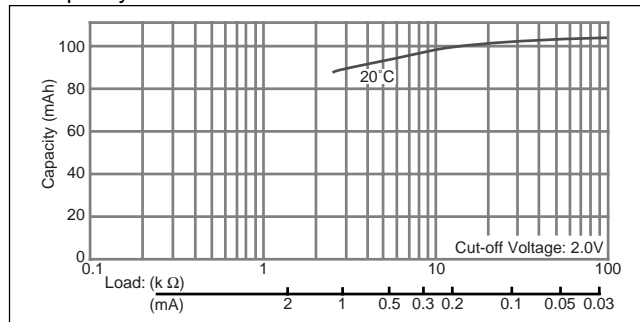
### □ Temperature Characteristics



### □ Operating voltage vs. load resistance (voltage at 50% discharge depth)



### □ Capacity vs. load resistance



# Manganese Dioxide Lithium Coin Batteries: Individual Specifications

## CR2354

### □ Dimensions(mm)



### □ Specification

<b>Nominal voltage (V)</b>	3
<b>Nominal capacity (mAh)</b>	560
<b>Continuous standard load (mA)</b>	0.2
<b>Operating temperature (C)</b>	-30 ~ +60

### □ Temperature Characteristics



### □ Operating voltage vs. load resistance (voltage at 50% discharge depth)



### □ Capacity vs. load resistance



## CR2412

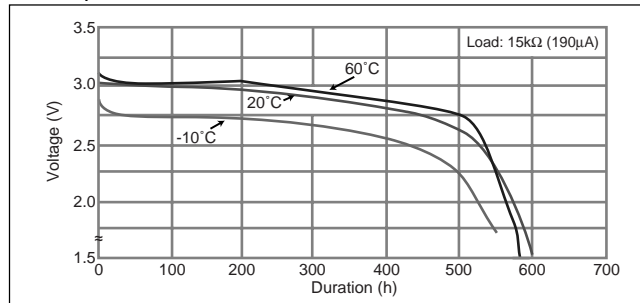
### □ Dimensions(mm)



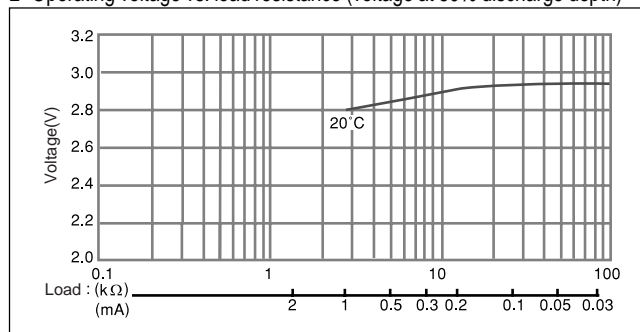
### □ Specification

<b>Nominal voltage (V)</b>	3
<b>Nominal capacity (mAh)</b>	100
<b>Continuous standard load (mA)</b>	0.2
<b>Operating temperature (C)</b>	-30 ~ +60

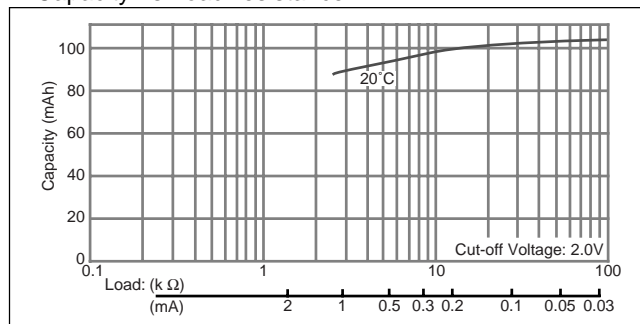
### □ Temperature Characteristics



### □ Operating voltage vs. load resistance (voltage at 50% discharge depth)



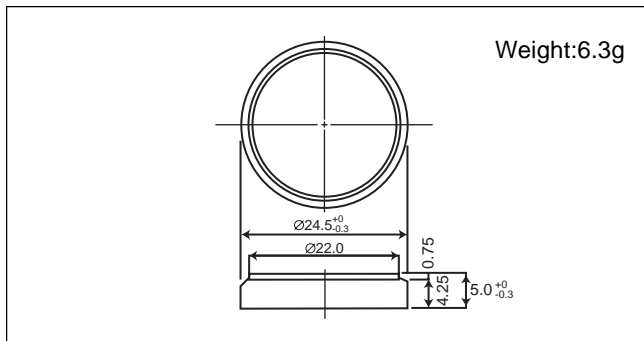
### □ Capacity vs. load resistance



# Manganese Dioxide Lithium Coin Batteries: Individual Specifications

## CR2450

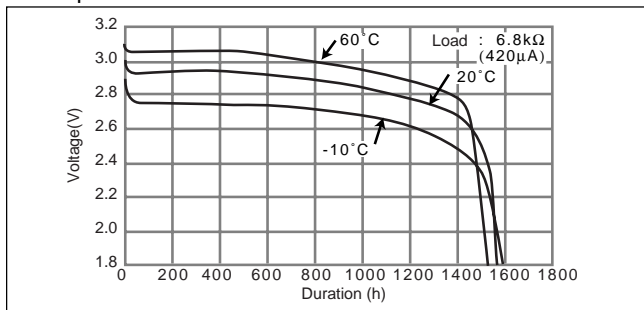
### ■ Dimensions(mm)



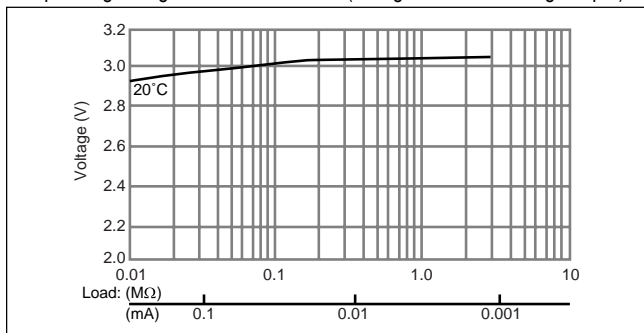
### ■ Specification

Nominal voltage (V)	3
Nominal capacity (mAh)	620
Continuous standard load (mA)	0.2
Operating temperature (C)	-30 ~ +60

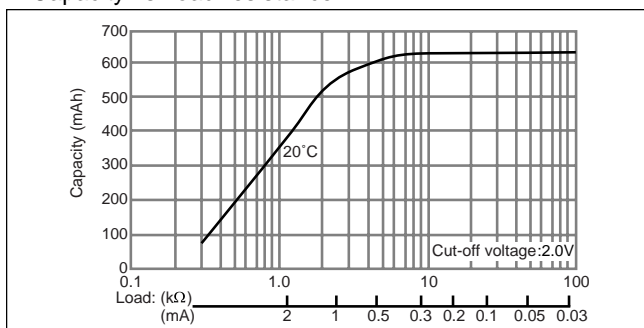
### ■ Temperature Characteristics



### ■ Operating voltage vs. load resistance (voltage at 50% discharge depth)

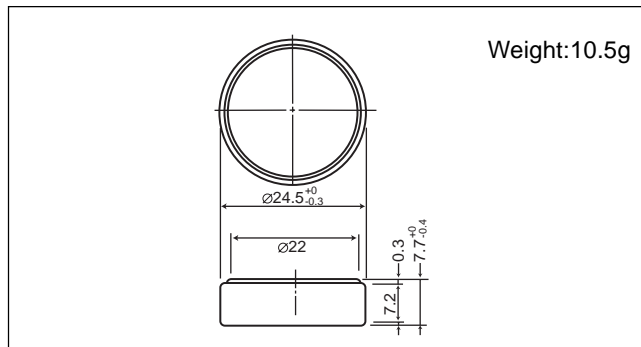


### ■ Capacity vs. load resistance



## CR2477

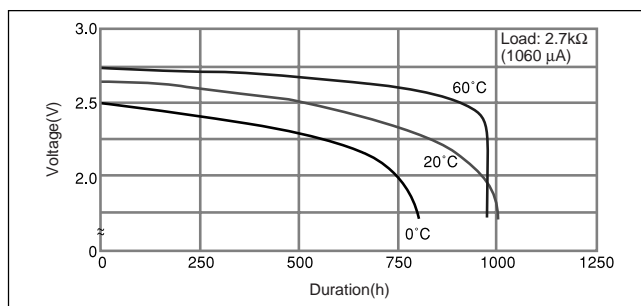
### ■ Dimensions(mm)



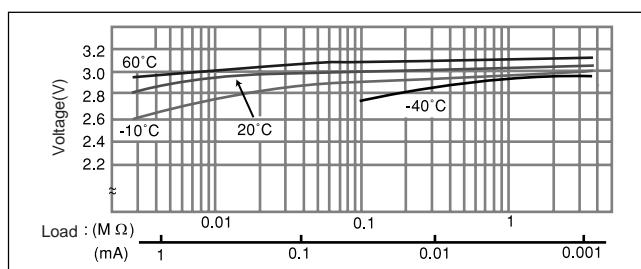
### ■ Specification

Nominal voltage (V)	3
Nominal capacity (mAh)	1,000
Continuous standard load (mA)	0.2
Operating temperature (C)	-30 ~ +60

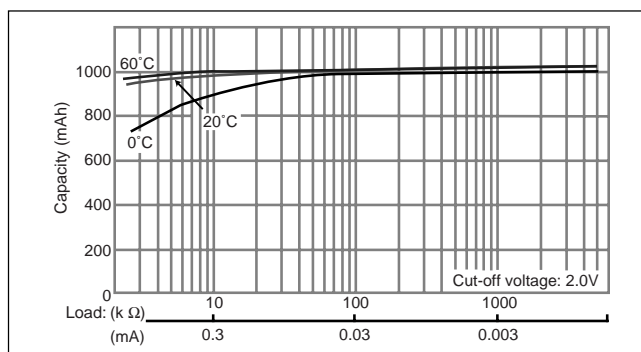
### ■ Temperature Characteristics



### ■ Operating voltage vs. load resistance (voltage at 50% discharge depth)



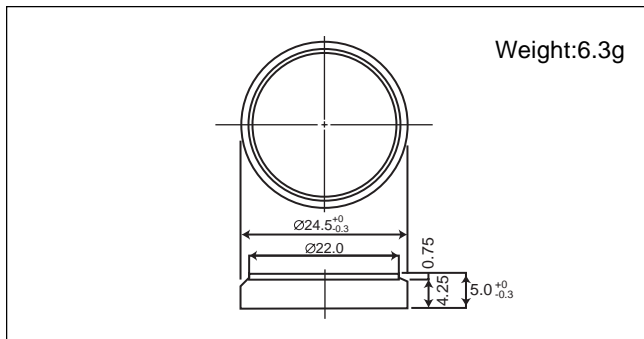
### ■ Capacity vs. load resistance



# Manganese Dioxide Lithium Coin Batteries: Individual Specifications

## CR2450

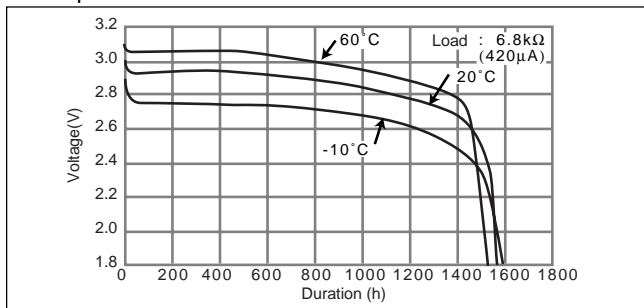
### ■ Dimensions(mm)



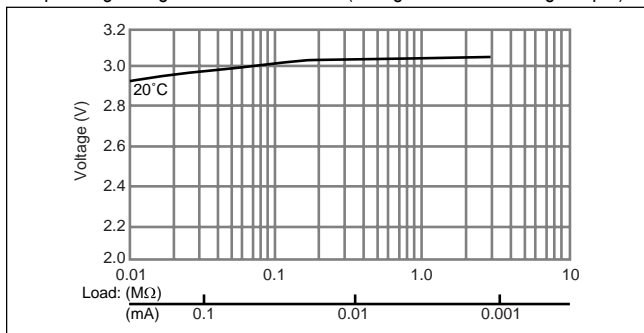
### ■ Specification

Nominal voltage (V)	3
Nominal capacity (mAh)	620
Continuous standard load (mA)	0.2
Operating temperature (C)	-30 ~ +60

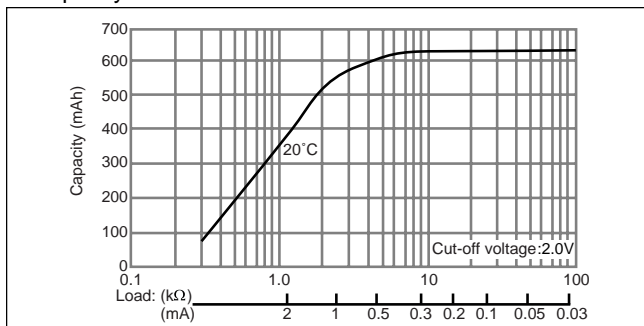
### ■ Temperature Characteristics



### ■ Operating voltage vs. load resistance (voltage at 50% discharge depth)

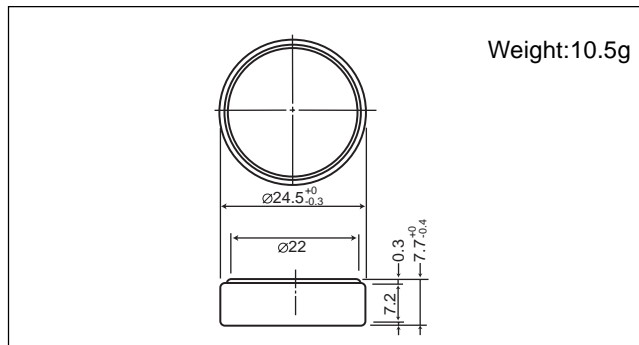


### ■ Capacity vs. load resistance



## CR2477

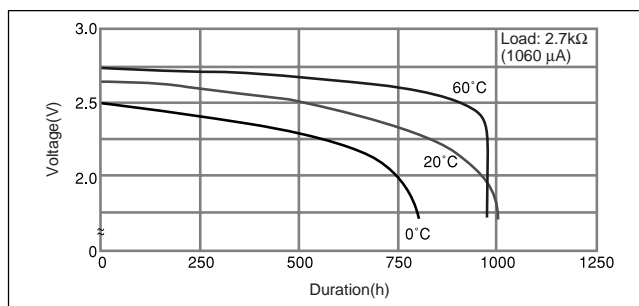
### ■ Dimensions(mm)



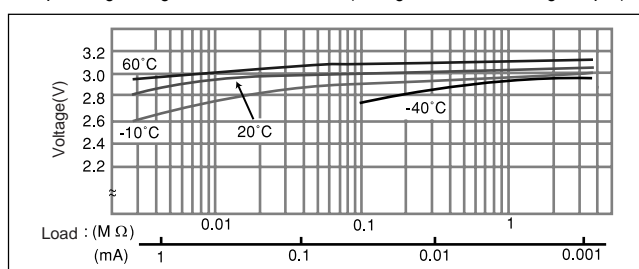
### ■ Specification

Nominal voltage (V)	3
Nominal capacity (mAh)	1,000
Continuous standard load (mA)	0.2
Operating temperature (C)	-30 ~ +60

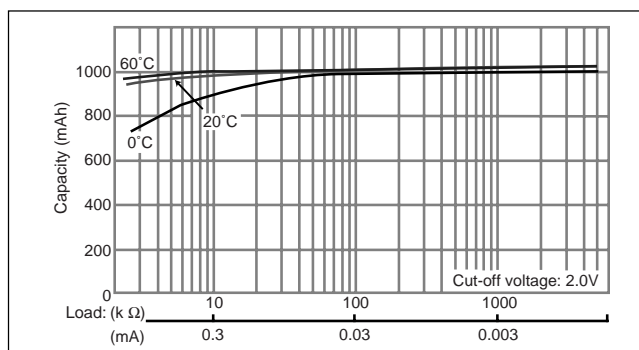
### ■ Temperature Characteristics



### ■ Operating voltage vs. load resistance (voltage at 50% discharge depth)



### ■ Capacity vs. load resistance



# Manganese Dioxide Lithium Coin Batteries: Individual Specifications

## CR3032

### □ Dimensions(mm)



### □ Specification

<b>Nominal voltage (V)</b>	3
<b>Nominal capacity (mAh)</b>	500
<b>Continuous standard load (mA)</b>	0.2
<b>Operating temperature (C)</b>	-30 ~ +60

### □ Temperature Characteristics



### □ Operating voltage vs. load resistance (voltage at 50% discharge depth)



### □ Capacity vs. load resistance







Компания «ЭлектроПласт» предлагает заключение долгосрочных отношений при поставках импортных электронных компонентов на взаимовыгодных условиях!

Наши преимущества:

- Оперативные поставки широкого спектра электронных компонентов отечественного и импортного производства напрямую от производителей и с крупнейших мировых складов;
- Поставка более 17-ти миллионов наименований электронных компонентов;
- Поставка сложных, дефицитных, либо снятых с производства позиций;
- Оперативные сроки поставки под заказ (от 5 рабочих дней);
- Экспресс доставка в любую точку России;
- Техническая поддержка проекта, помощь в подборе аналогов, поставка прототипов;
- Система менеджмента качества сертифицирована по Международному стандарту ISO 9001;
- Лицензия ФСБ на осуществление работ с использованием сведений, составляющих государственную тайну;
- Поставка специализированных компонентов (Xilinx, Altera, Analog Devices, Intersil, Interpoint, Microsemi, Aeroflex, Peregrine, Syfer, Eurofarad, Texas Instrument, Miteq, Cobham, E2V, MA-COM, Hittite, Mini-Circuits, General Dynamics и др.);

Помимо этого, одним из направлений компании «ЭлектроПласт» является направление «Источники питания». Мы предлагаем Вам помощь Конструкторского отдела:

- Подбор оптимального решения, техническое обоснование при выборе компонента;
- Подбор аналогов;
- Консультации по применению компонента;
- Поставка образцов и прототипов;
- Техническая поддержка проекта;
- Защита от снятия компонента с производства.



#### Как с нами связаться

**Телефон:** 8 (812) 309 58 32 (многоканальный)

**Факс:** 8 (812) 320-02-42

**Электронная почта:** [org@eplast1.ru](mailto:org@eplast1.ru)

**Адрес:** 198099, г. Санкт-Петербург, ул. Калинина, дом 2, корпус 4, литера А.