

SERIES 46 SPST and DPDT, 1/4 Amp

FEATURES

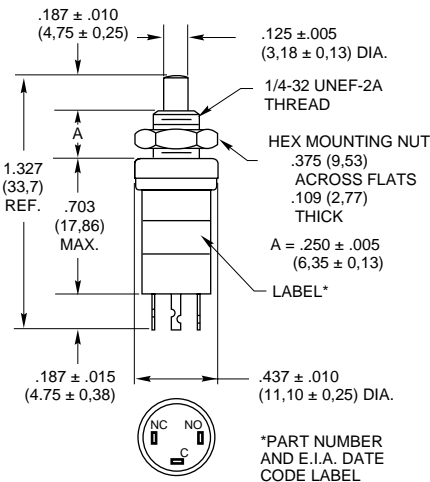
- Long Wipe Contact Assures High Reliability
- 250,000 Cycles of Operation



DIMENSIONS In Inches (and millimeters)

Single Pole/Double Throw

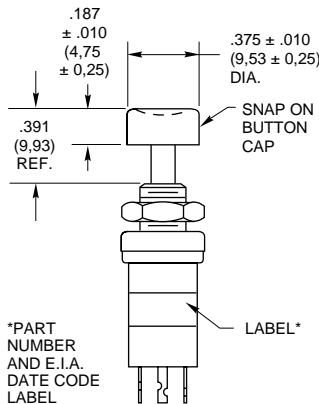
46-101* (BBM)
46-110* (MBB)



Rating at 115 Vac Resistive	Rating at 220 Vac Resistive	Operations at Rated Load	*Complete Part Number	Button or Cap Color
1/4 Amp	1/8 Amp	250,000	46-101 RED	Red
			46-101 BLK	Black
			46-102 RED	Red
			46-102 BLK	Black
			46-110 RED	Red
			46-110 BLK	Black
46-111 RED	Red			
46-111 BLK	Black			

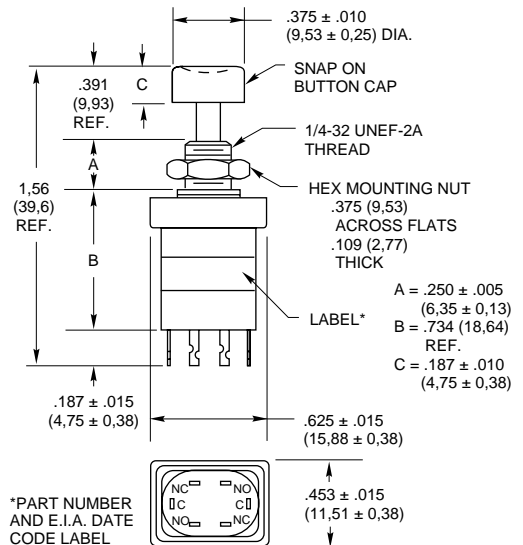
Action	Total Travel	Bottoming Force (oz.)	Mtg. Hole
Momentary	.180 (4,57) Min.	17 ± 5	17/64" (6,75)

46-102* (BBM)
46-111* (MBB)



Double Pole/Double Throw

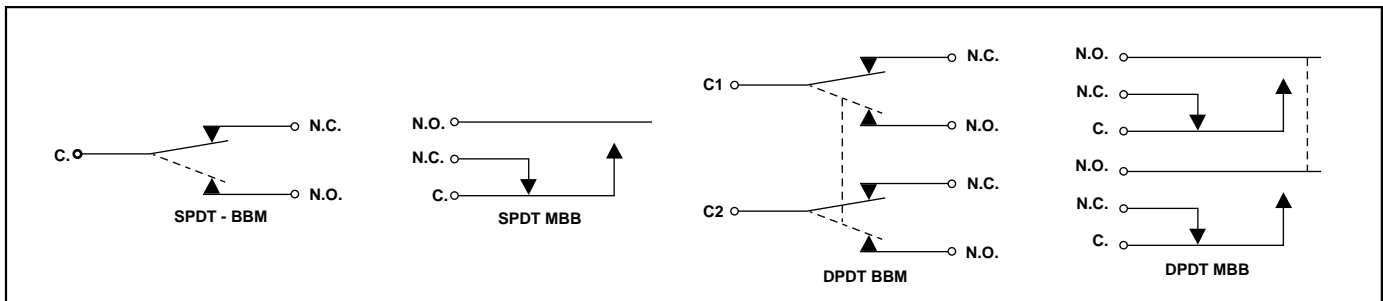
46-200* (BBM)
46-201* (MBB)



Rating at 115 Vac Resistive	Rating at 220 Vac Resistive	Operations at Rated Load	*Complete Part Number	Cap Color
1/4 Amp	1/8 Amp	250,000	46-200 RED	Red
			46-200 BLK	Black
			46-201 RED	Red
			46-201 BLK	Black

Action	Total Travel	Bottoming Force (oz.)	Mtg. Hole
Momentary	.180 (4,57) Min.	35 ± 9	17/64" (6,75)

CIRCUITRY



SERIES 46
SPST and DPDT, 1/4 Amp

FEATURES

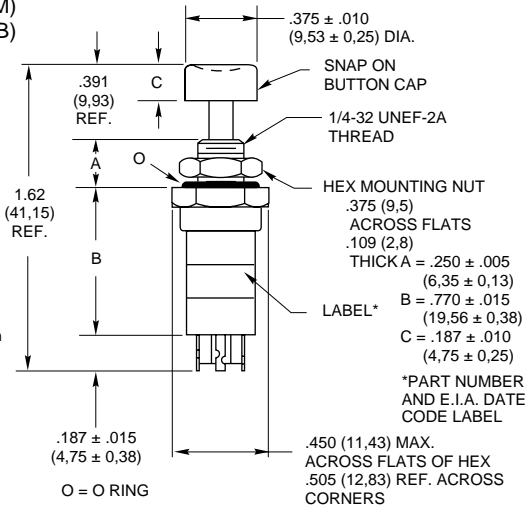
- Bushing and Button Seal
- Environmentally Sealed



DIMENSIONS In Inches (and millimeters)

Sealed Bushing and Button Single Pole/Double Throw

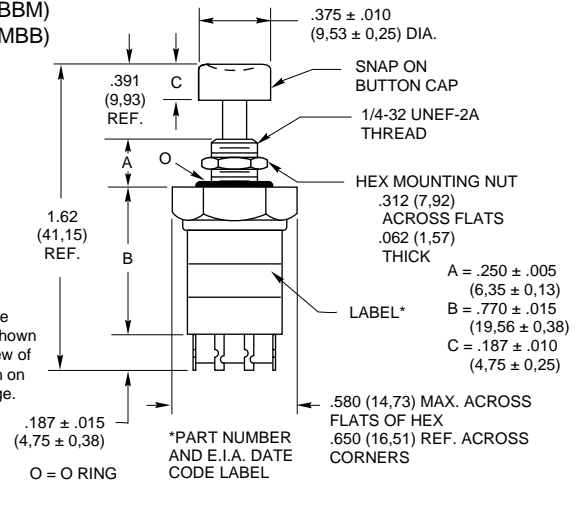
46-150* (BBM)
46-151* (MBB)



Terminals are marked as shown in bottom view of SPDT switch on previous page.

Sealed Bushing and Button Double Pole/Double Throw

46-270* (BBM)
46-271* (MBB)



Terminals are marked as shown in bottom view of DPDT switch on previous page.

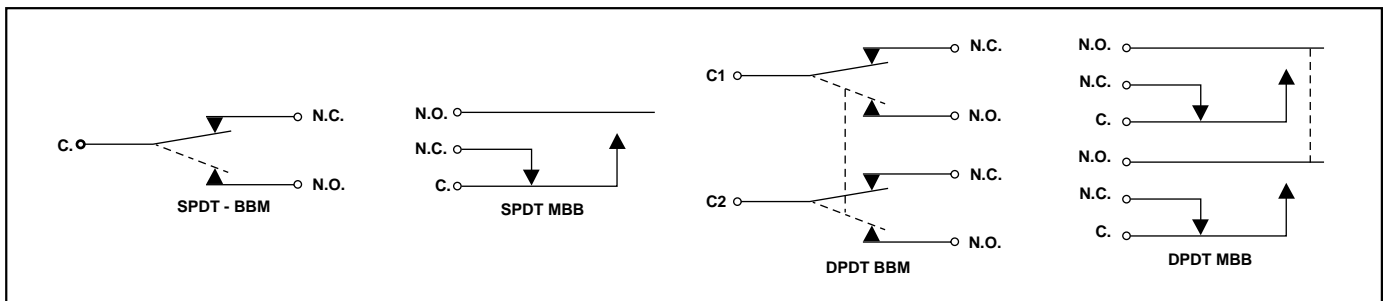
Rating at 115 Vac Resistive	Rating at 220 Vac Resistive	Operations at Rated Load	*Complete Part Number	Cap Color
1/4 Amp	1/8 Amp	100,000	46-150 RED 46-150 BLK 46-151 RED 46-151 BLK	Red Black Red Black

Action	Total Travel	Bottoming Force (oz.)	Mtg. Hole
Momentary	.180 (4,57) Min.	24 ± 4	17/64" (6,75)

Rating at 115 Vac Resistive	Rating at 220 Vac Resistive	Operations at Rated Load	*Complete Part Number	Cap Color
1/4 Amp	1/8 Amp	100,000	46-270 RED 46-270 BLK 46-271 RED 46-271 BLK	Red Black Red Black

Action	Total Travel	Bottoming Force (oz.)	Mtg. Hole
Momentary	.180 (4,57) Min.	48 ± 4	17/64" (6,75)

CIRCUITRY



Pushbutton Switches

DIMENSIONS In Inches (and millimeters)

Environmentally Sealed Double Pole/Double Throw
46-260* (BBM)

Dimensions:
 A = 1.14 (29,0) MAX.
 B = 22.00 (558,8) MAX.
 C = .390 ± .010 (9,90 ± 0,25)
 D = .281 ± .010 (7,14 ± 0,25)
 .250 ± .010 (6,35 ± 0,25)

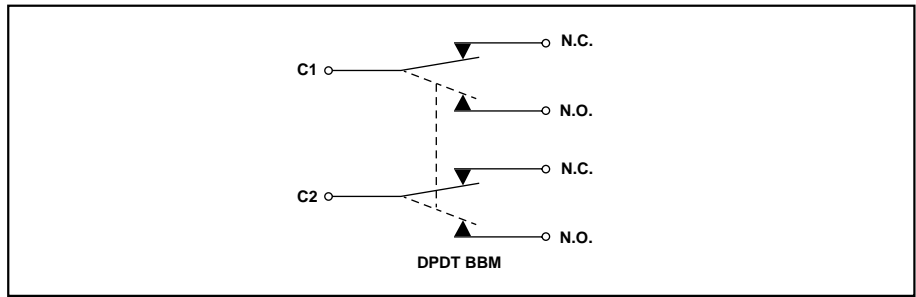
Component Labels:
 SNAP ON BUTTON CAP
 O-RING SEALED
 3/8-32 UNEF-2A THREAD TO .060 (15,24) MAX. FROM SHOULDER
 HEX MOUNTING NUT .562 (14,2) ACROSS FLATS .094 (2,40) THICK
 SWITCH AND WIRE LEADS ENCAPSULATED

Rating at 115 Vac Resistive	Rating at 220 Vac Resistive	Operations at Rated Load	*Complete Part Number	Cap Color
1/4 Amp	1/8 Amp	250,000	46-260 RED 46-260 BLK	Red Black

Action	Total Travel	Bottoming Force (oz.)	Mtg. Hole
Momentary	.180 (4,57) Min.	Approx. 45	25/64" (9,92)

Pushbutton Switches

CIRCUITRY



SPECIFICATIONS

Rating Criteria

Contact Resistance: Less than 25 milliohms at the switch initially. Less than 4 milliohms/inch of wire.
Voltage Breakdown: 1,000 Vac between mutually insulated parts
Insulation Resistance: 1,000 megohms minimum

Materials and Finishes

Cover, Bushing, Mounting Nut: Brass, cadmium-plated
Shorting Bar: Phosphor bronze, silver-plated.
Terminals: Phosphor bronze, silver contact surface. Terminal ends are solder clad
Base or Potting Shell: Phenolic per MIL-M-14, type CFG
Spring: Tinned music wire
Button Cap: Polyethylene
Button: Polyphenylene sulfide (PPS) for 46-200 and 46-201. Polycarbonate for all other unsealed versions. Aluminum for all sealed versions.

O-Ring Seal: Nitrile per MIL-P-5516, class B
Seal Adapter and Hex Nut (46-260): Brass, cadmium-plated
Wire Leads (46-260): Per MIL-W-16878 type E. #26 AWG, insulated teflon, copper stranded wire

Operating Features

Break-Before-Make: Rest position to N.C. break .020" (0,51) minimum. Rest position to N.O. Make .240" (6,10) maximum.
Make-Before-Break: Rest position to N.O. make .065" ± .015 (1,65 ± 0,38). Rest position to N.C. break .130" ± .015 (3,30 ± 0,38).
Operating Temperature: -40°C to +85°C

STANDARD OPTIONS

Epoxy sealed terminals and wire leads, see page E-34 and E-35.
 Decorative mountings, see pages E-24 to E-26.

ACCESSORY

Decorative Mounting Nut
 Part No. 30C1023-1
 Fits .250" (6,35) Bushing
 For dimensions, materials and finishes, see page E-36.

ORDERING INFORMATION

Description	Part No.
SPDT, BBM, Red Button	46-101 RED
SPDT, BBM, Black Button	46-101 BLK
SPDT, BBM, Red Cap	46-102 RED
SPDT, BBM, Black Cap	46-102 BLK
SPDT, MBB, Red Button	46-110 RED
SPDT, MBB, Black Button	46-110 BLK
SPDT, MBB, Red Cap	46-111 RED
SPDT, MBB, Black Cap	46-111 BLK
SPDT, BBM, Red Cap	46-150 RED
SPDT, BBM, Black Cap	46-150 BLK
SPDT, MBB, Red Cap	46-151 RED
SPDT, MBB, Black Cap	46-151 BLK
DPDT, BBM, Red Cap	46-200 RED
DPDT, BBM, Black Cap	46-200 BLK
DPDT, MBB, Red Cap	46-201 RED
DPDT, MBB, Black Cap	46-201 BLK
DPDT, BBM, Red Cap	46-270 RED
DPDT, BBM, Black Cap	46-270 BLK
DPDT, MBB, Red Cap	46-271 RED
DPDT, MBB, Black Cap	46-271 BLK
DPDT, BBM, Sealed, Red	46-260 RED
DPDT, BBM, Sealed, Black	46-260 BLK

ACCESSORY	
Decorative Nut	30C1023-1

Available from your local Grayhill Distributor. For prices and discounts, contact a local Sales Office, an authorized local Distributor or Grayhill.



Компания «ЭлектроПласт» предлагает заключение долгосрочных отношений при поставках импортных электронных компонентов на взаимовыгодных условиях!

Наши преимущества:

- Оперативные поставки широкого спектра электронных компонентов отечественного и импортного производства напрямую от производителей и с крупнейших мировых складов;
- Поставка более 17-ти миллионов наименований электронных компонентов;
- Поставка сложных, дефицитных, либо снятых с производства позиций;
- Оперативные сроки поставки под заказ (от 5 рабочих дней);
- Экспресс доставка в любую точку России;
- Техническая поддержка проекта, помощь в подборе аналогов, поставка прототипов;
- Система менеджмента качества сертифицирована по Международному стандарту ISO 9001;
- Лицензия ФСБ на осуществление работ с использованием сведений, составляющих государственную тайну;
- Поставка специализированных компонентов (Xilinx, Altera, Analog Devices, Intersil, Interpoint, Microsemi, Aeroflex, Peregrine, Syfer, Eurofarad, Texas Instrument, Miteq, Cobham, E2V, MA-COM, Hittite, Mini-Circuits, General Dynamics и др.);

Помимо этого, одним из направлений компании «ЭлектроПласт» является направление «Источники питания». Мы предлагаем Вам помощь Конструкторского отдела:

- Подбор оптимального решения, техническое обоснование при выборе компонента;
- Подбор аналогов;
- Консультации по применению компонента;
- Поставка образцов и прототипов;
- Техническая поддержка проекта;
- Защита от снятия компонента с производства.



Как с нами связаться

Телефон: 8 (812) 309 58 32 (многоканальный)

Факс: 8 (812) 320-02-42

Электронная почта: org@eplast1.ru

Адрес: 198099, г. Санкт-Петербург, ул. Калинина, дом 2, корпус 4, литера А.