

T H E R M O M E T R I C S  
A C O M M I T M E N T T O E X C E L L E N C E

# NTC Diode

## Thermometrics

### Thermistors



A range of NTC chip thermistors in DO-35 style glass package (diode outline) with axial solder-coated copper-clad steel wires.

- Designed for accurate temperature measurement, control and compensation
- Tight tolerances on resistance and B value
- Operation up to 482°F (250°C) with excellent stability
- Glass body provides hermetic seal and voltage insulation and excellent stability
- Designed for cost effective solid state sensor
- Lead-wires metallurgically bonded to thermistor element for improved reliability (Type GE only)
- Resistant to corrosive atmospheres and harsh environments
- Available on axial bandolier to IEC-286-1/ EIA-468A and packet taped to EIA RS-481 for MELF.
- Also available loose-packed with axial, radial and SMD wire forms
- Suitable for automotive, telecom (battery packs), HVAC and white goods applications
- Temperature sensing for household appliances such as rice cookers, electronic ranges, ovens, etc.
- Temperature sensing for industrial products such as pharmaceuticals, chemicals, food, etc. components.

**Amphenol**  
**Advanced Sensors**

# Type DK Specifications

Chip thermistor in DO-35 glass package

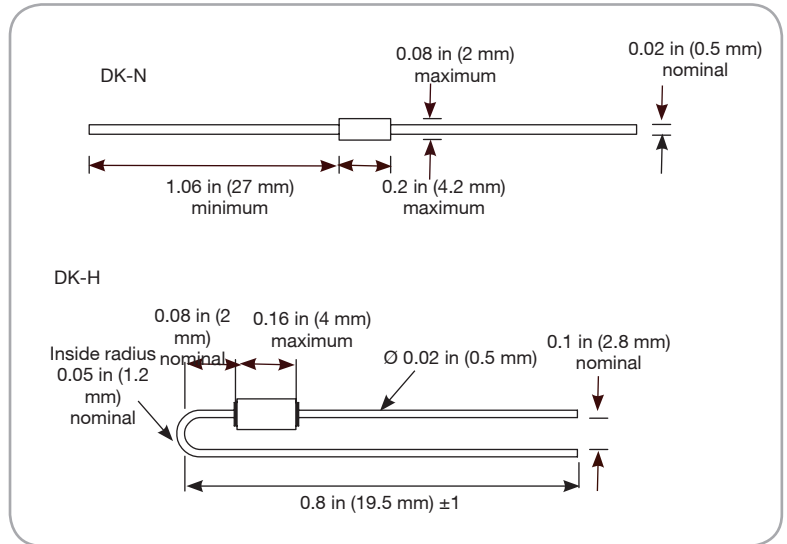
## Options

- Other resistance values within the ranges shown; e.g. code DKA302\*2 for 3000  $\Omega$   $\pm 2\%$  at 77°F (25°C)
- Reference temperatures in the range 0°F to 302°F (-18°C to 150°C)
- Operation to 572°F (300°C) (no solder coating on wires)
- Wire lengths 0.16 in to 1.26 in (4 mm to 32 mm)  $\pm 0.04$  in ( $\pm 1$  mm) for DK-N; up to 1.02 in (26 mm) for DK-H

## Coding

Replace \* in the codes shown below as follows:

- Axial, loose-packed: N
- Axial, bandoliered: B
- Radial, loose-packed: H
- Surface mount, loose-packed: M



*NTC Type DK wires should not be bent within 0.08 in (2 mm) of glass body*

## Data

- Operating temperature: -40°F to 482°F (-40°C to 250°C)
- Thermal time constant: 7 seconds (cooling in air)
- Dissipation factor: 3.0 mW/K
- Mass: 0.2 g
- Packing/MOQ: 1000/box (loose), 5000/reel (bandoliered)

| R25 $\Omega$ | Material system | B 25/85 K      | Code R25 $\pm 2\%$ | Code R25 $\pm 3\%$ | Code R25 $\pm 5\%$ | Code R25 $\pm 10\%$ |
|--------------|-----------------|----------------|--------------------|--------------------|--------------------|---------------------|
| 2000         | 2               | 3540 $\pm 1\%$ | DKA202*2           | DKA202*3           | DKA202*5           | DKA202*10           |
| 5000         | 2               | 3540 $\pm 1\%$ | DKA502*2           | DKA502*3           | DKA502*5           | DKA502*10           |
| 10,000       | 2               | 3540 $\pm 1\%$ | DKA103*2           | DKA103*3           | DKA103*5           | DKA103*10           |
| 10,000       | 5A              | 3730 $\pm 2\%$ |                    | DKC103*3           | DKC103*5           | DKC103*10           |
| 12,000       | 5A              | 3730 $\pm 2\%$ | DKC123*2           | DKC123*3           | DKC123*5           | DKC123*10           |
| 10,000       | 3               | 3960 $\pm 1\%$ | DKF103*2           | DKF103*3           | DKF103*5           | DKF103*10           |
| 20,000       | 3               | 3960 $\pm 1\%$ | DKF203*2           | DKF203*3           | DKF203*5           | DKF203*10           |
| 30,000       | 3               | 3960 $\pm 1\%$ | DKF303*2           | DKF303*3           | DKF303*5           | DKF303*10           |
| 50,000       | 3               | 3960 $\pm 1\%$ | DKF503*2           | DKF503*3           | DKF503*5           | DKF503*10           |
| 100,000      | 3               | 3960 $\pm 1\%$ | DKF104*2           | DKF104*3           | DKF104*5           | DKF104*10           |
| 200,000      | G               | 4263 $\pm 2\%$ |                    |                    | DKG204*5           | DKG204*10           |
| 500,000      | D               | 4573 $\pm 2\%$ |                    |                    | DKD504*5           | DKD504*10           |
| 1,000,000    | D               | 4573 $\pm 2\%$ |                    |                    | DKD105*5           | DKD105*10           |

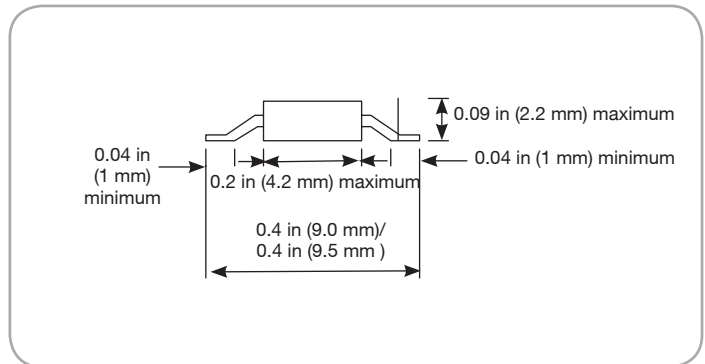
See separate tables for resistance-temperature data.  
Consult factory for additional tolerance requirements.

# Type DKM Specifications

Glass encapsulated SMD thermistor

## Description

A range of thermistors in DO-35 style glass package (diode outline formed for surface lead-wires and applications) with solder-coated copper-clad steel lead-wires.



*NTC Type DKM wires should not be bent within 0.08 in (2 mm) of glass body*

## Options

- Other resistance values within the ranges shown; e.g. code DKA302M2 for 3000 Ω ±2% at 77°F (25°C)
- Reference temperatures in the range 32°F to 302°F (0°C to 150°C)
- For tape and reel, add suffix “AB”
- Operation to 572°F (300°C); no solder coating on lead-wires

## Data

- Operating temperature: -40°F to 482°F (-40°C to 250°C)
- Thermal time constant: 7 seconds (cooling in air)
- Dissipation factor: 3.0 mW/K
- Mass: 0.2 g
- Packing/MOQ: 1000/box (loose)

| R25 Ω     | Material System | B 25/85 K | Code R25 ±2% | Code R25 ±3% | Code R25 ±5% | Code R25 ±10% |
|-----------|-----------------|-----------|--------------|--------------|--------------|---------------|
| 2000      | 2               | 3540 ±1%  | DKA202M2     | DKA202M3     | DKA202M5     | DKA202M10     |
| 5000      | 2               | 3540 ±1%  | DKA502M2     | DKA502M3     | DKA502M5     | DKA502M10     |
| 10,000    | 2               | 3540 ±1%  | DKA103M2     | DKA103M3     | DKA103M5     | DKA103M10     |
| 10,000    | 5A              | 3730 ±2%  |              | DKC103M3     | DKC103M5     | DKC103M10     |
| 10,000    | 3               | 3960 ±1%  | DKF103M2     | DKF103M3     | DKF103M5     | DKF103M10     |
| 20,000    | 3               | 3960 ±1%  | DKF203M2     | DKF203M3     | DKF203M5     | DKF203M10     |
| 30,000    | 3               | 3960 ±1%  | DKF303M2     | DKF303M3     | DKF303M5     | DKF303M10     |
| 50,000    | 3               | 3960 ±1%  | DKF503M2     | DKF503M3     | DKF503M5     | DKF503M10     |
| 100,000   | 3               | 3960 ±1%  | DKF104M2     | DKF104M3     | DKF104M5     | DKF104M10     |
| 200,000   | G               | 4263 ±2%  |              |              | DKG204M5     | DKG204M10     |
| 500,000   | D               | 4573 ±2%  |              |              | DKD504M5     | DKD504M10     |
| 1,000,000 | D               | 4573 ±2%  |              |              | DKD105M5     | DKD105M10     |

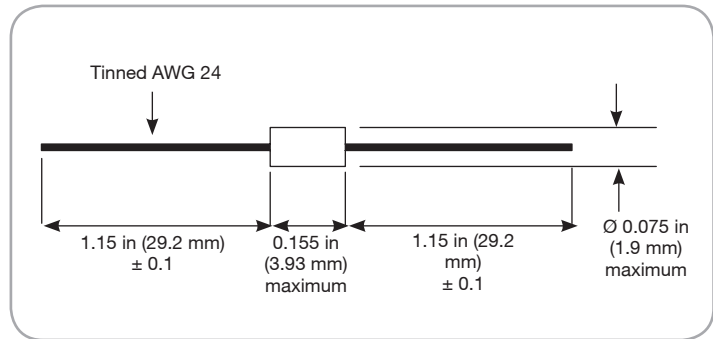
See separate tables for resistance-temperature data.  
Consult factory for additional tolerance requirements.

# Type GE Specifications

Glass encapsulated DO-35 package

## Options

- For reel taping
- Nickel leads for welding
- Other resistances in the range 250 Ω to 5 MΩ
- Other tolerances, tolerances at other temperatures
- Alternative leads lengths, lead materials
- Can be expanded to 572°F (300°C) with nickel leads



NTC Type GE dimensions

## Data

- Standard resistance tolerance: ±10% @ 77°F (25°C)
- Dissipation constant: 3.0 mW/K
- Time constant: 7 seconds
- Operating range: -58°F to 400°F (-50°C to 204°C)
- Lead Wires metallurgically bonded to thermistor element for improved reliability

| R <sub>0</sub> @25°C (Ω) | Material System | Beta 25/85 | Type Number           |
|--------------------------|-----------------|------------|-----------------------|
| 250                      | GE5.5*          | 2983       | AL03006-165.9-55-G1   |
| 500                      | GE5.5*          | 2983       | AL03006-331.8-55-G1   |
| 1K                       | GE7.3           | 3499       | AL03006-624-73-G1     |
| 2K                       | GE7.3           | 3499       | AL03006-1248-73-G1    |
| 2786                     | GE10.1          | 4102       | AL03006-1576-101-G1   |
| 3K                       | GE7.6           | 3553       | AL03006-1847-76-G1    |
| 4K                       | GE7.6           | 3553       | AL03006-2463-76-G1    |
| 5K                       | GE7.6           | 3553       | AL03006-3079-76-G1    |
| 10K                      | GE9.7A          | 3992       | AL03006-5818-97-G1    |
| 20K                      | GE9.8           | 3974       | AL03006-11.7K-98-G1   |
| 30K                      | GE9.8           | 3974       | AL03006-17.53K-98-G1  |
| 50K                      | GE9.7B          | 3952       | AL03006-29.1K-97-G1   |
| 100K                     | GE9.7B          | 3952       | AL03006-58.2K-97-G1   |
| 200K                     | GE12.3          | 4365       | AL03006-111.3K-123-G1 |
| 500K                     | GE13.8          | 4567       | AL03006-269.8K-138-G1 |
| 1M                       | GE14.5          | 4661       | AL03006-535K-145-G1   |
| 5M                       | GE16.4          | 4848       | AL03006-2.6M-164-G1   |

\*maximum operating temperature 302°F (150°C)

# Type MELF Specifications

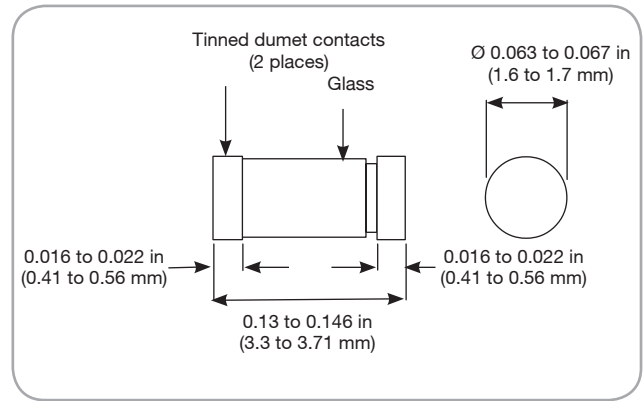
Glass encapsulated SMD thermistor

## Description

Hermetically sealed, glass encapsulated thermistor in SOD-80 SMD package.

## Options

- Pocket Taping
- Other resistances in the range 250  $\Omega$  to 5 M $\Omega$  available
- Other tolerances, tolerances at other temperatures



NTC Type MELF dimensions

## Data

- Standard resistance tolerance:  $\pm 10\%$  @ 77°F (25°C)
- Dissipation constant: 3.0 mW/°C
- Time constant: 7 seconds
- Operating range: -58°F to 400°F (-50°C to 204°C)

| R <sub>0</sub> @25° C ( $\Omega$ ) | Material System | Beta 25/85 | Type Number           |
|------------------------------------|-----------------|------------|-----------------------|
| 250                                | GE5.5*          | 2983       | 03006-165.9-55-G100   |
| 500                                | GE5.5*          | 2983       | 03006-331.8-55-G100   |
| 1K                                 | GE7.3           | 3499       | 03006-624-73-G100     |
| 2K                                 | GE7.3           | 3499       | 03006-1248-73-G100    |
| 2786                               | GE10.1          | 4102       | 03006-1576-101-G100   |
| 3K                                 | GE7.6           | 3553       | 03006-1847-76-G100    |
| 4K                                 | GE7.6           | 3553       | 03006-2463-76-G100    |
| 5K                                 | GE7.6           | 3553       | 03006-3079-76-G100    |
| 10K                                | GE9.7A          | 3992       | 03006-5818-97-G100    |
| 20K                                | GE9.8           | 3974       | 03006-11.7K-98-G100   |
| 30K                                | GE9.8           | 3974       | 03006-17.53K-98-G100  |
| 50K                                | GE9.7B          | 3952       | 03006-29.1K-97-G100   |
| 100K                               | GE9.7B          | 3952       | 03006-58.2-97-G100    |
| 200K                               | GE12.3          | 4365       | 03006-111.3K-123-G100 |
| 500K                               | GE13.8          | 4567       | 03006-269.8K-138-G100 |
| 1M                                 | GE14.5          | 4661       | 03006-535K-145-G100   |
| 5M                                 | GE16.4          | 4848       | 03006-2.6M-164-G100   |

\*maximum operating temperature 302°F (150°C)

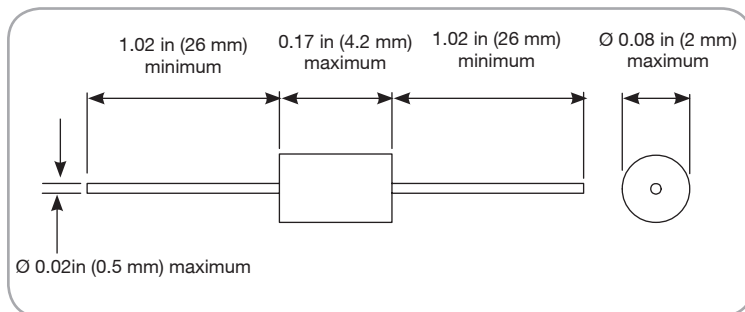
# Type TH Specifications

Glass encapsulated radial lead thermistor

| Part Number | Resistance (25 Ω) | β Constant (25/50) | Recommended Maximum Operating Current at 77°F (25°C) | Maximum Permissible Current at 77°F (25°C) |
|-------------|-------------------|--------------------|--|--|
| TH220J33G   | 2.0 K             | 3375 K             | 0.22 mA  | 30.0 mA                                    |
| TH225J13G   | 2.545 K           | 3745 K             | 0.22 mA  | 30.0 mA                                    |
| TH238J34G   | 3.896 K           | 3434 K             | 0.20 mA  | 26.5 mA                                    |
| TH253J34G   | 5.369 K           | 3434 K             | 0.16 mA  | 24.0 mA                                    |
| TH310J34G   | 10.74 K           | 3434 K             | 0.13 mA  | 20.0 mA                                    |
| TH310J36G   | 10.0 K            | 3684 K             | 0.14 mA  | 20.0 mA                                    |
| TH310J39G   | 10.0 K            | 3933 K             | 0.14 mA  | 20.0 mA                                    |
| TH315J39G   | 15.0 K            | 3933 K             | 0.12 mA  | 17.0 mA                                    |
| TH320J39G   | 20.0 K            | 3952 K             | 0.10 mA  | 15.0 mA                                    |
| TH349J39G   | 49.12 K           | 3952 K             | 0.06 mA  | 10.0 mA                                    |
| TH350J39G   | 50.0 K            | 3952 K             | 0.06 mA  | 10.0 mA                                    |
| TH398J40G   | 98.63 K           | 4014 K             | 0.045 mA   | 5.0 mA                                     |
| TH410J40G   | 100.0 K           | 4014 K             | 0.045 mA   | 5.0 mA                                     |
| TH420J34G   | 200.0 K           | 3450 K             | 0.015 mA   | 3.5 mA                                     |
| TH423J41G   | 231.4 K           | 4176 K             | 0.015 mA   | 3.5 mA                                     |
| TH510J44G   | 1,000 K           | 4491 K             | 0.007 mA   | 1.5 mA                                     |
| TH513J44G   | 1,388 K           | 4491 K             | 0.005 mA   | 1.0 mA                                     |

- The tolerance of resistance is ±5% for standard device
- The tolerance of B constant is ±2% for standard device The constant is determined by the equation:  
 $B = 3853.9 \ln (R_{25}/R_{50})$   
 R25 and R50 represent the thermistor resistance at 77°F and 122°F (25°C and 50°C) respectively
- Others: For non-standard devices, consult Thermometrics

| Dissipation Factor (in still air) | Time Constant (in still air) | Operating Temperature Range     | Rated Power at 77°F (25°C) |
|-----------------------------------|------------------------------|---------------------------------|----------------------------|
| 2.0 (mW/°C)                       | 25 (seconds)                 | -40°F to 482°F (-40°C to 250°C) | 25 mW                      |



NTC Type TH dimensions

# Explanation of Part Number

|     |     |     |     |     |     |     |   |     |
|-----|-----|-----|-----|-----|-----|-----|---|-----|
| TH  | 410 | S   | 40  | F   | D   | SN  | - | T5  |
| (1) | (2) | (3) | (4) | (5) | (6) | (7) |   | (8) |

| 1                        | 2  | 3 / 5  | 4  | 6   | 7  | 8  |
|--------------------------|--|--|--|---|--|--|
| Type                     | Resistance<br>R(25°C)  | Resistance /<br>B Value<br>Tolerance   | B Value<br>Range   | Standard<br>Temperature   | Lead Wire Type   | Packing<br>& Other<br>Description  |
| Diode Type<br>Thermistor | 225:25x10 <sup>2</sup><br>= 2.5kΩ<br>310:10x10 <sup>3</sup><br>=10kΩ<br>410:10x10 <sup>4</sup><br>=100kΩ | F : ± 1%<br>G : ± 2%<br>H : ± 3%<br>J : ± 5%<br>K : ± 10%<br>L : ± 15%<br>M : ± 20%<br>:<br>:<br><u>S : others</u><br>S : ± 1.5% | 33:3300k<br>~3399k<br>40:4000k<br>~4099k<br>42:4200k<br>~4299k | J : -18°C<br>A : 0°C<br>B : 25°C<br>C : 50°C<br>D : 75°C<br>E : 85°C<br>F : 100°C<br>G : 150°C<br>H : 200°C<br>:<br>:<br>S : others | NR : CP wire<br>NI : Ni plated<br>Sn : Sn plated<br>:<br>:<br>:<br>:<br>S : others | T5 : Taping<br>(52mm,<br>Ammo)<br>-----<br>R3 : Reel<br>(52mm, 3KP)<br>-----<br>C11 : 11mm<br>(Wire cutting)<br>-----<br>Other Special<br>Shape or Dim |





# Mouser Electronics

Authorized Distributor

Click to View Pricing, Inventory, Delivery & Lifecycle Information:

## Amphenol:

[DKA502H10](#) [DKA502B10](#) [DKA502N10](#) [DKA502N3](#) [DKA502B3](#) [DKA502N5](#) [DKA502B5](#) [TH420J34GBNI](#)  
[TH410J42GBSN-T5](#) [TH450J44GBSN](#) [TH349G39GDSN](#) [TH248G39GSSN](#) [TH297G39FSSN](#) [TH248S39GSNI](#)  
[TH250H39GBSN](#) [TH310F39FBSN-T5](#) [TH310J37GBSN](#) [TH350H39GBSN](#) [TH420J34GDNI](#) [TH420J41GBSN-T5](#)  
[TH420H34GBNI](#) [TH423J41GBNI](#) [TH513J45GBSN](#) [TH350J39GBPS](#) [TH513F45GBSN](#) [TH310J32GBSN](#)  
[TH238J34GBSN](#) [TH310H36GBSN-T5](#) [TH410H40GDNI](#) [TH310H39GBSN](#) [TH350J39GBNI](#) [TH410J34HBSN](#)  
[TH422H41GHNI](#) [TH310H39FBSN-T5](#) [TH310H41GBSN](#) [TH310J34GBNI](#) [TH310F39FBSN](#) [TH310H34GBNR](#)  
[TH410H40GSNI-C16](#) [TH423H41GGNI](#) [TH320H35GBSN](#) [TH349G39GFNI](#) [TH410J40GDNI](#) [TH510J44GBSN](#)  
[TH423H41GBNI](#) [TH423H41GGNI-B](#) [TH423J41GGNI-B](#) [TH452J44HSSN](#) [TH310J39GBSN\(25/85\)](#) [TH410F39GBSN](#)  
[TH320J39GBSN](#) [TH330H39GBSN](#) [TH349H39GFSN](#) [TH253J34GBSN-T5](#) [TH310H39GASN](#) [TH423H41GHNI](#)  
[TH420H34GDNI](#) [TH420J41GBNI](#) [TH410H40GBNI](#) [TH410J40GBSN-T5](#) [TH420H34GBNI\(25/85\)](#) [TH423J41GHNI](#)  
[TH253J34GBSN](#) [TH320S39GSSN](#) [TH350H39GBPS](#) [TH410J40GBNI](#) [TH349J39GSNI](#) [TH410J40GBPS](#)  
[TH349G39GBSN](#) [TH333J40GBPS-T5](#) [TH250F34GBSN](#) [TH253G34GAPS](#) [TH310H36GBSN](#) [TH316S42GBNR](#)  
[TH349G39GBPS](#) [TH349H39GFNI](#) [TH349J39GSSN](#) [TH330J39GBSN](#) [TH350H39GBNI](#) [TH358S39FFNI](#)  
[TH310G39GBSN](#) [TH420J34GBPS](#) [TH450J44HBSN](#) [TH310H34GBSN](#) [TH349J39GBSN](#) [TH220J33GBSN](#)  
[TH310J34GBSN](#) [TH310J39GBSN](#) [TH250J34GBSN](#) [TH310J34GBSN-T5](#) [TH225J37GBSN](#) [TH410J40GBSN](#)  
[TH349H39GSSN](#) [TH320H39GBSN](#) [TH248H39GSSN](#) [TH297G39FSSN-C11.5](#) [TH310H34GASN](#) [TH350G39GBPS-T5](#)  
[TH315J39GBSN](#) [TH350J39GBSN](#)



Компания «ЭлектроПласт» предлагает заключение долгосрочных отношений при поставках импортных электронных компонентов на взаимовыгодных условиях!

Наши преимущества:

- Оперативные поставки широкого спектра электронных компонентов отечественного и импортного производства напрямую от производителей и с крупнейших мировых складов;
- Поставка более 17-ти миллионов наименований электронных компонентов;
- Поставка сложных, дефицитных, либо снятых с производства позиций;
- Оперативные сроки поставки под заказ (от 5 рабочих дней);
- Экспресс доставка в любую точку России;
- Техническая поддержка проекта, помощь в подборе аналогов, поставка прототипов;
- Система менеджмента качества сертифицирована по Международному стандарту ISO 9001;
- Лицензия ФСБ на осуществление работ с использованием сведений, составляющих государственную тайну;
- Поставка специализированных компонентов (Xilinx, Altera, Analog Devices, Intersil, Interpoint, Microsemi, Aeroflex, Peregrine, Syfer, Eurofarad, Texas Instrument, Miteq, Cobham, E2V, MA-COM, Hittite, Mini-Circuits, General Dynamics и др.);

Помимо этого, одним из направлений компании «ЭлектроПласт» является направление «Источники питания». Мы предлагаем Вам помощь Конструкторского отдела:

- Подбор оптимального решения, техническое обоснование при выборе компонента;
- Подбор аналогов;
- Консультации по применению компонента;
- Поставка образцов и прототипов;
- Техническая поддержка проекта;
- Защита от снятия компонента с производства.



#### Как с нами связаться

**Телефон:** 8 (812) 309 58 32 (многоканальный)

**Факс:** 8 (812) 320-02-42

**Электронная почта:** [org@eplast1.ru](mailto:org@eplast1.ru)

**Адрес:** 198099, г. Санкт-Петербург, ул. Калинина, дом 2, корпус 4, литера А.