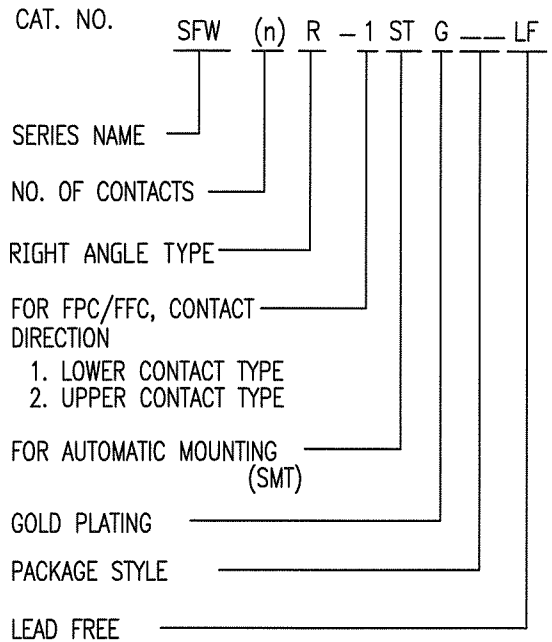




CAT. NO. & DIMENSIONS

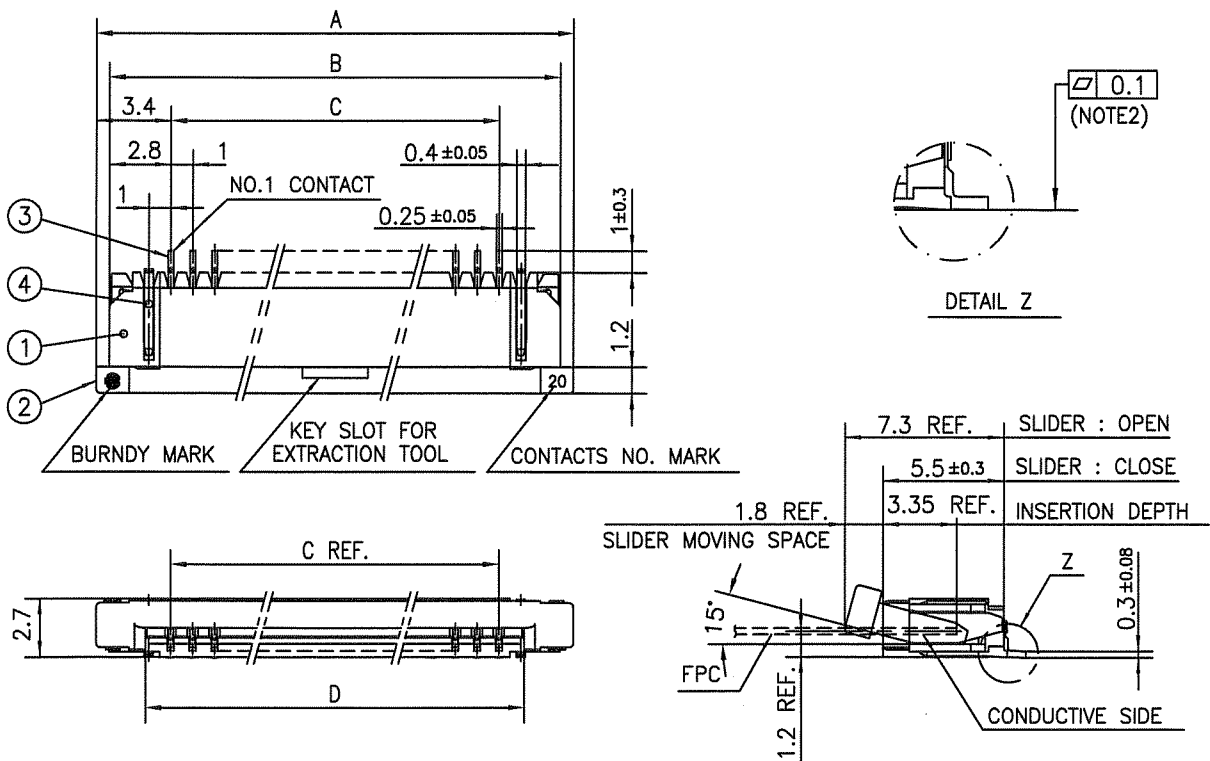
NO. OF CONTACTS (n)	CAT. NO.	DIMENSIONS (NOTE2)			
		A ± 0.2	B ± 0.2	C ± 0.2	D ± 0.1
4	SFW4R-1/2STG__LF	9.8	8.6	3.0	5.3
5	SFW5R-1/2STG__LF	10.8	9.6	4.0	6.3
6	SFW6R-1/2STG__LF	11.8	10.6	5.0	7.3
7	SFW7R-1/2STG__LF	12.8	11.6	6.0	8.3
8	SFW8R-1/2STG__LF	13.8	12.6	7.0	9.3
9	SFW9R-1/2STG__LF	14.8	13.6	8.0	10.3
10	SFW10R-1/2STG__LF	15.8	14.6	9.0	11.3
11	SFW11R-1/2STG__LF	16.8	15.6	10.0	12.3
12	SFW12R-1/2STG__LF	17.8	16.6	11.0	13.3
13	SFW13R-1/2STG__LF	18.8	17.6	12.0	14.3
14	SFW14R-1/2STG__LF	19.8	18.6	13.0	15.3
15	SFW15R-1/2STG__LF	20.8	19.6	14.0	16.3
16	SFW16R-1/2STG__LF	21.8	20.6	15.0	17.3
17	SFW17R-1/2STG__LF	22.8	21.6	16.0	18.3
18	SFW18R-1/2STG__LF	23.8	22.6	17.0	19.3
19	SFW19R-1/2STG__LF	24.8	23.6	18.0	20.3
20	SFW20R-1/2STG__LF	25.8	24.6	19.0	21.3
21	SFW21R-1/2STG__LF	26.8	25.6	20.0	22.3
22	SFW22R-1/2STG__LF	27.8	26.6	21.0	23.3
23	SFW23R-1/2STG__LF	28.8	27.6	22.0	24.3
24	SFW24R-1/2STG__LF	29.8	28.6	23.0	25.3
25	SFW25R-1/2STG__LF	30.8	29.6	24.0	26.3
26	SFW26R-1/2STG__LF	31.8	30.6	25.0	27.3
27	SFW27R-1/2STG__LF	32.8	31.6	26.0	28.3
28	SFW28R-1/2STG__LF	33.8	32.6	27.0	29.3
29	SFW29R-1/2STG__LF	34.8	33.6	28.0	30.3
30	SFW30R-1/2STG__LF	35.8	34.6	29.0	31.3



NOTES

1. THIS PRODUCT IS THE CONNECTOR USED FOR FPC AND COPEs WITH AUTOMATIC MOUNTING (SMT).
2. SEE PART DRAWINGS FOR DIMENSIONS A~D.

mat'l. code		surface 58 / ISO 1302		tolerance ISO 406 / ISO 1101		projection		product family 58RF		CODE JP	
ltr	ecn no	dr	date	tolerances unless otherwise specified		mm		title			
C				angles	linear	scale X		CAT NO. TABLE FOR 1mm SPACING SMT CONNECTOR (Cat. No. SFW__R-1/2STG__LF)			
				dr	M. YAMASHITA	2009-10-27	FCI	dwg no		sheet 2 of 8	size
				enr	M. YAMASHITA	2009-10-27		10092072			A4
				chr	S. Wital	2009-10-27		type Product Customer Drawing			
				appd	S. Chidambaram	2009-10-27					
sheet index	revision sheet										Rev. C



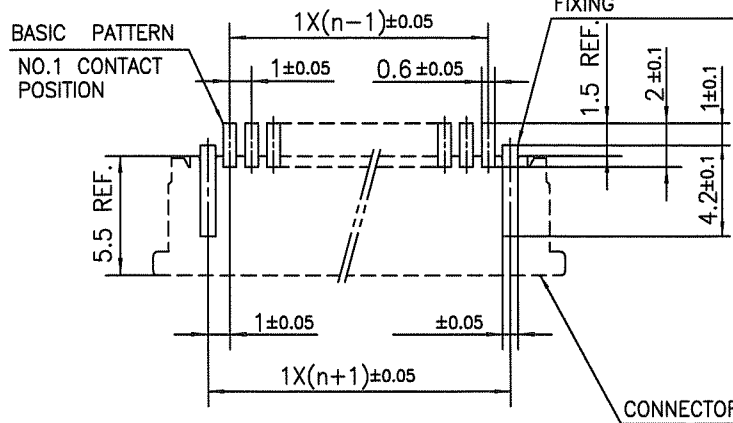
PT. NO.	PARTS NAME	MATERIAL	Q'TY	NOTE
1	HOUSING	PPS RESIN GLASS REINFORCED (UL94V-0)	1	COLOR : BROWN
2	SLIDER	PPS RESIN GLASS REINFORCED (UL94V-0)	1	COLOR : BLACK
3	CONTACT	PHOSPHOR BRONZE	n	PLATING : GOLD
4	MOUNTING PLATE		2	PLATING : TIN

n : NO. OF CONTACTS

NOTES

1. THIS PRODUCT IS THE CONNECTOR USED FOR FPC AND COPES WITH AUTOMATIC MOUNTING (SMT).
2. FLATNESS FOR CONTACT TERMINAL HOUSING MUST BE WITHIN TOLERANCE IN Z PORTION DETAILED DRAWING.
3. THIS PRODUCT IS LOWER CONTACT TYPE CONNECTOR.
4. THIS PRODUCT MEETS EUROPEAN UNION DIRECTIVES AND OTHER COUNTRY REGULATIONS AS DESCRIBED IN GS-22-008.
5. THE HOUSING WILL WITHSTAND EXPOSURE TO 260°C PEAK TEMPERATURE FOR 10 SECONDS IN A REFLOW SOLDERING OVEN.

RECOMMENDED PC BOARD LAYOUT (COMPONENT SIDE)

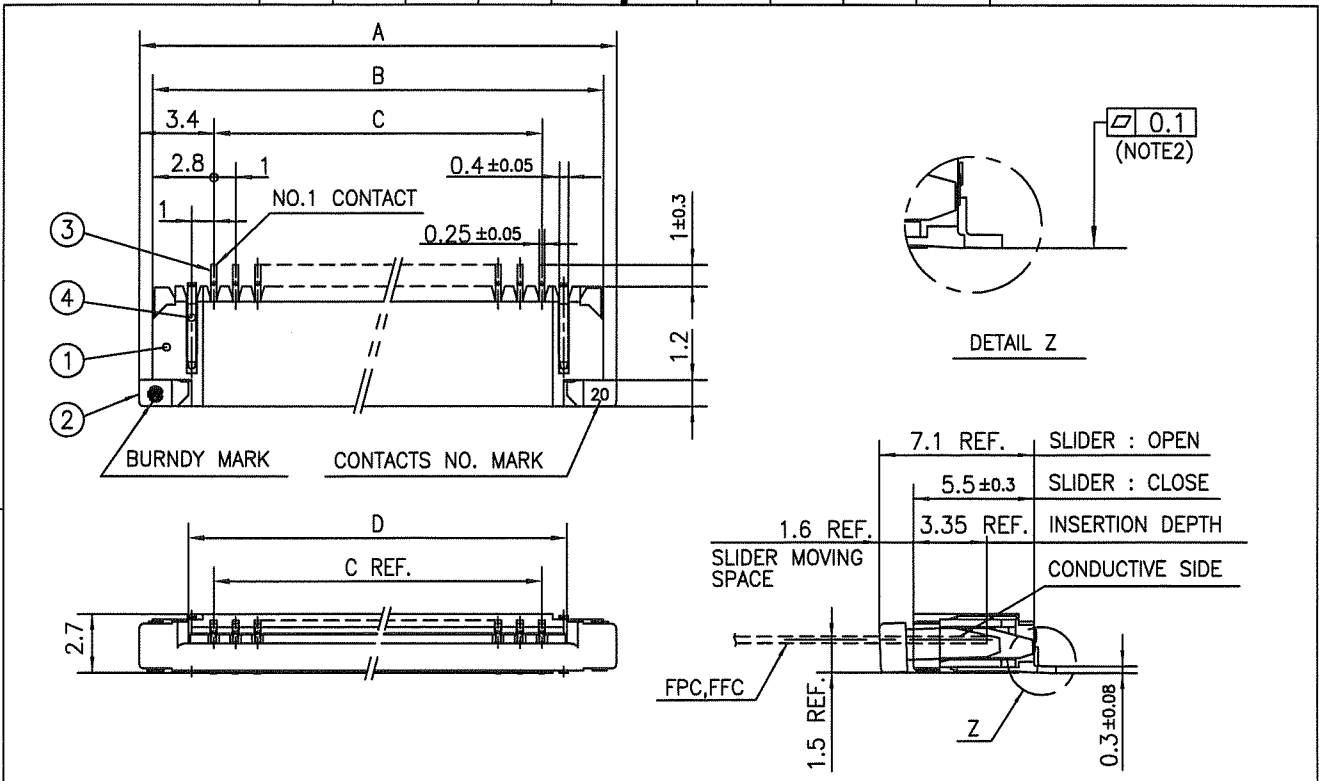


mat'l. code		surface 58		tolerance ISO 1302		projection		product family 58RF		CODE JP	
ltr	ecn no	dr	date	tolerances unless otherwise specified		mm		title			
c				angles	linear	mm		1mm SPACING SMT CONNECTOR (Cat. No. SFW__R-1STG__LF)			
						scale X		dwg no		sheet 3 of 8	
				dr	M. YAMAGUCHI	2009-10-27	FCI	10092072		size A4	
				enr	M. YAMAGUCHI	2009-10-27		type Product Customer Drawing			
				chr	S. YAMAGUCHI	2009-10-27					
				appd	S. YAMAGUCHI	2009-10-27					
sheet index	revision sheet										Rev. C



FCIconnect.com

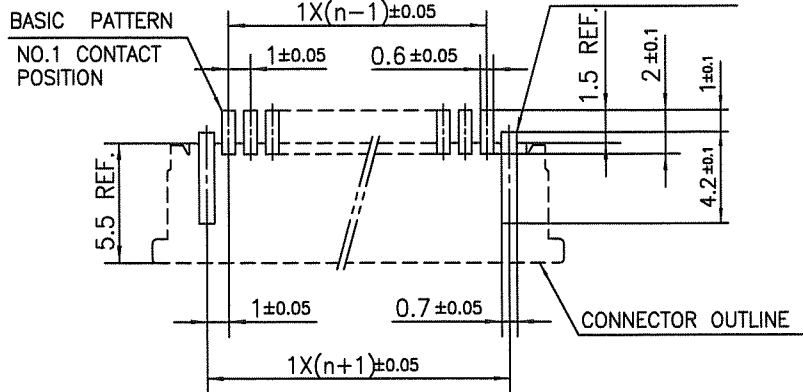
Copyright FCI.



PT. NO.	PARTS NAME	MATERIAL	Q'TY	NOTE
1	HOUSING	PPS RESIN GLASS REINFORCED (UL94V-0)	1	COLOR : BROWN
2	SLIDER		1	COLOR : BLACK
3	CONTACT	PHOSPHOR BRONZE	n	PLATING : GOLD
4	MOUNTING PLATE		2	PLATING : IN

n : NO. OF CONTACTS  
NOTES

RECOMMENDED PC BOARD LAYOUT  
(COMPONENT SIDE)

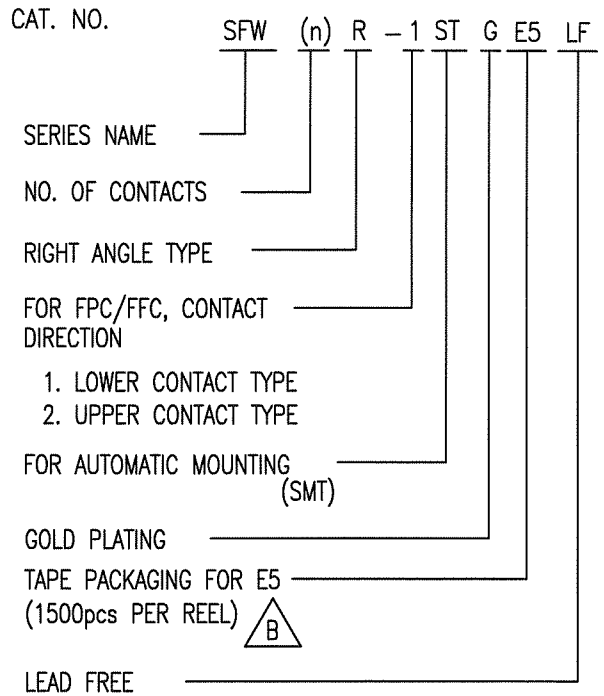


1. THIS PRODUCT IS THE CONNECTOR USED FOR FPC AND COPEs WITH AUTOMATIC MOUNTING (SMT).
2. FLATNESS FOR CONTACT TERMINAL HOUSING MUST BE WITHIN TOLERANCE IN Z PORTION DETAILED DRAWING.
3. THIS PRODUCT IS UPPER CONTACT TYPE CONNECTOR.
4. THIS PRODUCT MEETS EUROPEAN UNION DIRECTIVES AND OTHER COUNTRY REGULATIONS AS DESCRIBED IN GS-22-008.
5. THE HOUSING WILL WITHSTAND EXPOSURE TO 260°C PEAK TEMPERATURE FOR 10 SECONDS IN A REFLOW SOLDERING OVEN.

mat'l. code		surface 58		tolerance ISO 406		projection		product family 58RF		CODE JP	
ltr		ecn no		dr		date		tolerances unless otherwise specified		title	
c								±0.2		1mm SPACING SMT CONNECTOR (Cat. No. SFW__R-2STG__LF)	
				angles		linear		mm		scale X	
				dr		H. YAMAGUCHI		2009-10-27		dwg no	
				enr		H. YAMAGUCHI		2009-10-27		sheet 4 of 8	
				chr		S. W. K.		2009-10-27		size A4	
				appd		D. Anderson		2009-11-27		type Product Customer Drawing	
sheet index		revision sheet								Rev. C	

CAT. NO. & DIMENSIONS

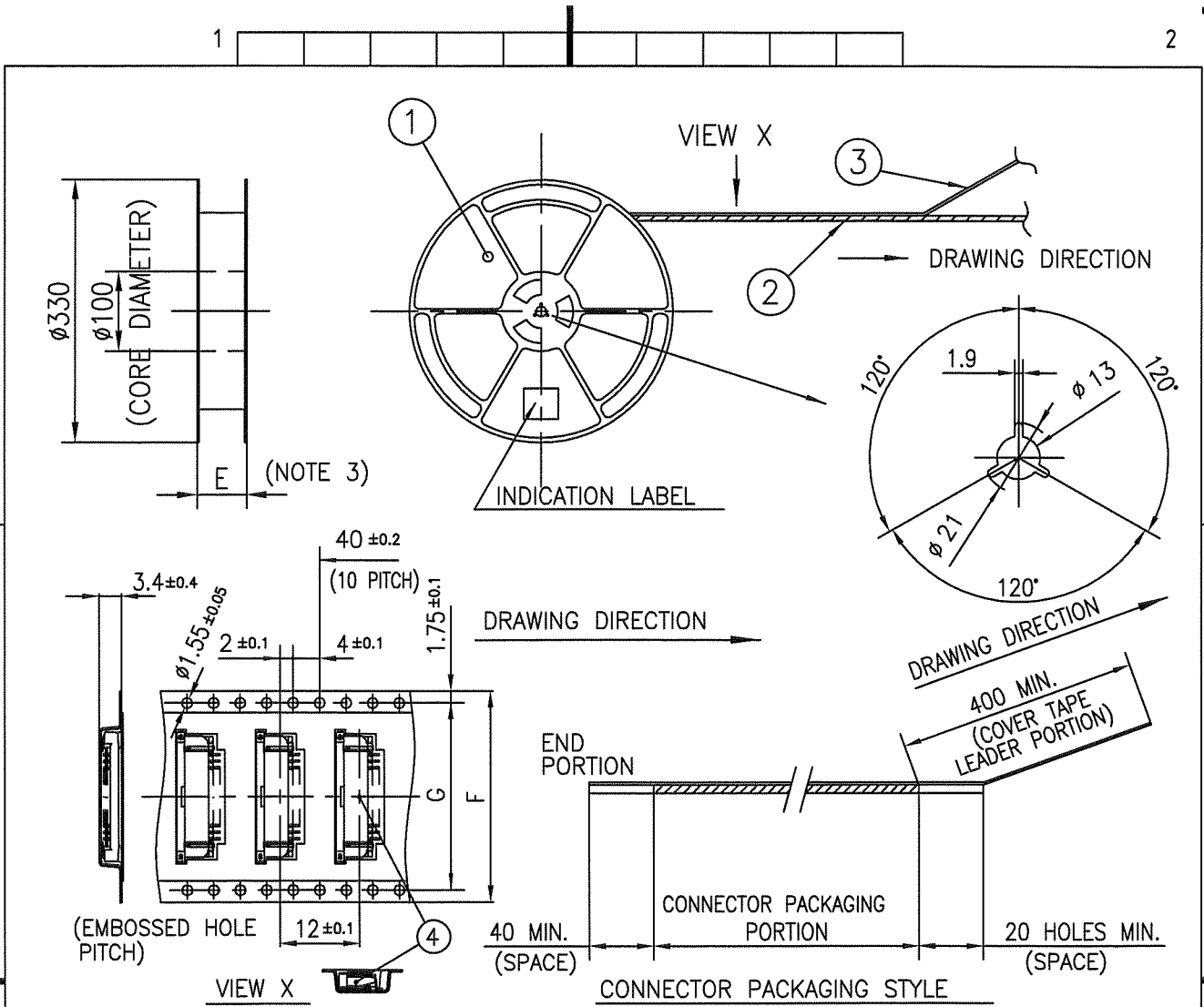
NO. OF CONTACTS (n)	CAT. NO. (NOTE2)	DIMENSIONS (NOTE3)		
		E MAX.	F ± 0.3	G ± 0.1
4	SFW4R-1/2STGE5LF	22.4	16	—
5	SFW5R-1/2STGE5LF	30.4	24	—
6	SFW6R-1/2STGE5LF	30.4	24	—
7	SFW7R-1/2STGE5LF	30.4	24	—
8	SFW8R-1/2STGE5LF	30.4	24	—
9	SFW9R-1/2STGE5LF	30.4	24	—
10	SFW10R-1/2STGE5LF	30.4	24	—
11	SFW11R-1/2STGE5LF	30.4	24	—
12	SFW12R-1/2STGE5LF	30.4	24	—
13	SFW13R-1/2STGE5LF	38.4	32	28.4
14	SFW14R-1/2STGE5LF	38.4	32	28.4
15	SFW15R-1/2STGE5LF	38.4	32	28.4
16	SFW16R-1/2STGE5LF	38.4	32	28.4
17	SFW17R-1/2STGE5LF	50.4	44	40.4
18	SFW18R-1/2STGE5LF	50.4	44	40.4
19	SFW19R-1/2STGE5LF	50.4	44	40.4
20	SFW20R-1/2STGE5LF	50.4	44	40.4
21	SFW21R-1/2STGE5LF	50.4	44	40.4
22	SFW22R-1/2STGE5LF	50.4	44	40.4
23	SFW23R-1/2STGE5LF	50.4	44	40.4
24	SFW24R-1/2STGE5LF	50.4	44	40.4
25	SFW25R-1/2STGE5LF	50.4	44	40.4
26	SFW26R-1/2STGE5LF	50.4	44	40.4
27	SFW27R-1/2STGE5LF	50.4	44	40.4
28	SFW28R-1/2STGE5LF	62.4	56	52.4
29	SFW29R-1/2STGE5LF	62.4	56	52.4
30	SFW30R-1/2STGE5LF	62.4	56	52.4



NOTES

1. THIS PRODUCT IS THE CONNECTOR USED FOR FPC AND COPEs WITH AUTOMATIC MOUNTING (SMT).
2. THIS CATALOG NO. INDICATES PLASTIC TAPE PACKAGED CONNECTOR.
3. SEE PART DRAWINGS FOR DIMENSIONS E~G.

mat'l. code		surface 58 / ISO 1302		tolerance 4.06 / ISO 1101		projection		product family 58RF		CODE JP	
ltr	ecn no	dr	date	tolerances unless otherwise specified		mm		title			
c				angles	linear	scale X		CAT NO. TABLE FOR PLASTIC TAPE PACKAGED 1mm SPACING SMT CONNECTOR (Cat. No. SFW__R-1/2STGE5LF)			
		dr	M. YAMAGUCHI 2002-10-27			FCJ		dwg no		sheet 5 of 8 size	
		enrg	M. YAMAGUCHI 2003-10-27					10092072		A4	
		chr	S. WILSON 2009-10-27					type		Product Customer Drawing	
		appd	S. Chandra 2009-10-27								
sheet index	revision sheet										Rev. C

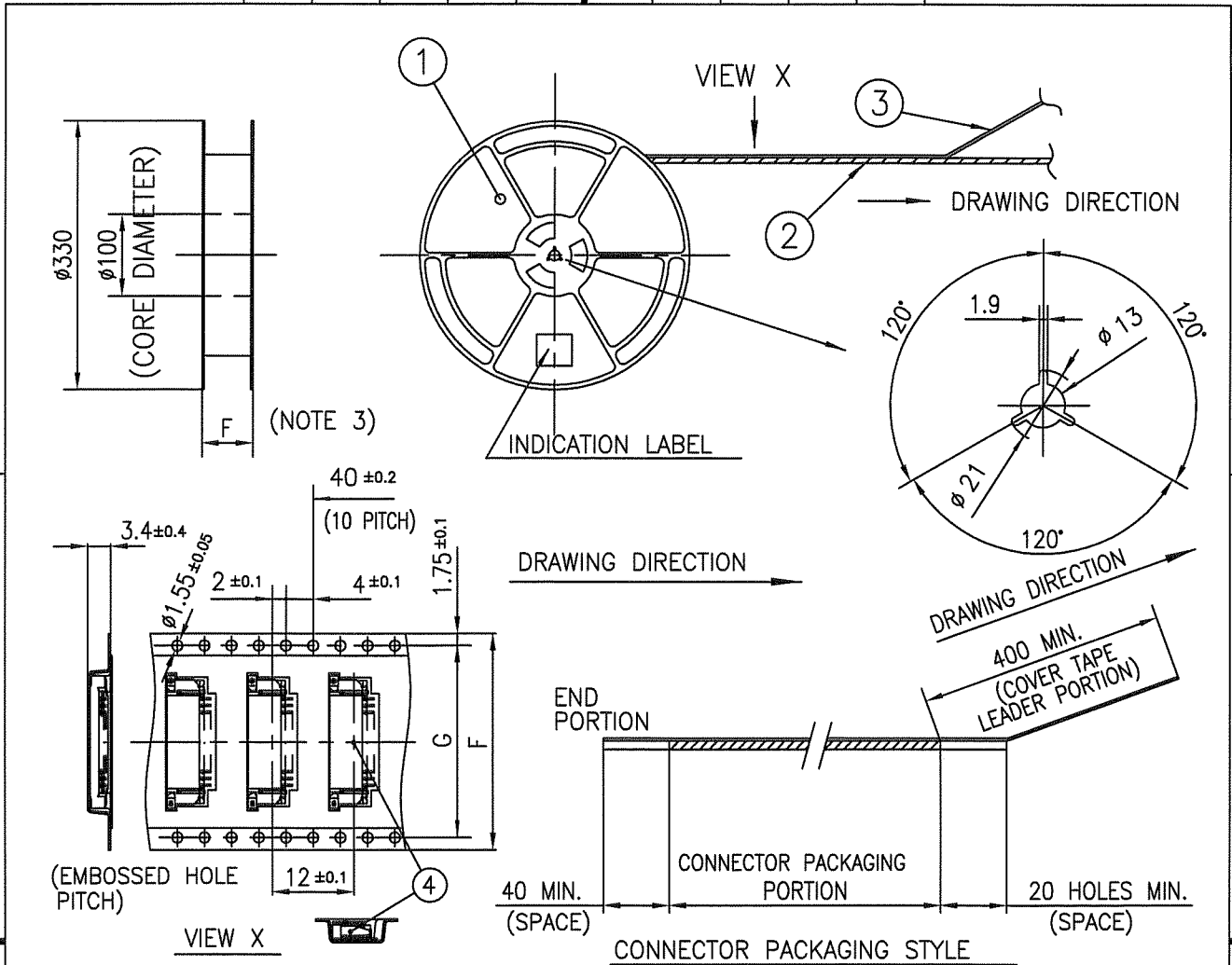


PT. NO.	PARTS NAME	CAT. NO.	MATERIAL	Q'TY	NOTE
1	REEL	_____	POLYSTYRENE	1	COLOR : WHITE or BLACK
2	PLASTIC (EMBOSS) TAPE	_____	PET	_____	COLOR : TRANSPARENCY (CLEAR) $\triangle B$
3	COVER	_____	POLYESTER	_____	COLOR : TRANSPARENCY (CLEAR) $\triangle B$
4	CONNECTOR	SFW__R-1STG__LF	SEE ATTACHED DWG.	1500	LOWER CONTACT TYPE

NOTES

- THIS IS PLASTIC TAPE PACKAGED CONNECTOR USED FOR FPC AND COPES WITH AUTOMATIC MOUNTING (SMT).
- SEE JIS C 0806 (PACKING OF ELECTRONIC COMPONENTS ON CONTINUOUS TAPES (SURFACE MOUNTING DEVICES)) FOR SHAPE AND DIMENSIONS OF PLASTIC (EMBOSS) TAPE AND REEL.
- E DIMENSION IS PORTION OF THE CORE.

mat'l. code		surface 58 <input checked="" type="checkbox"/> tolerance ISO 1302 ISO 406 ISO 1101		projection $\oplus \triangleleft$		product family 58RF		CODE JP	
ltr	ecn no	dr	date	tolerances unless otherwise specified		title		PLASTIC TAPE PACKAGED 1mm SPACING SMT CONNECTOR (Cat. No. SFW__R-1STGE5LF)	
c				angles	linear	mm		dwg no	
				$\pm 5^\circ$		scale $\times$		sheet 6 of 8	
		dr	M. YAMASHITA 2009-10-29			FCI		10092072	
		enr	M. YAMASHITA 2009-10-29					size A4	
		chr	S. Watabe 2008-10-27					type Product Customer Drawing	
		appd	J. D. D. 2008-10-27					Rev. C	
sheet index	revision sheet								



PT. NO.	PARTS NAME	CAT. NO.	MATERIAL	Q'TY	NOTE
1	REEL	_____	POLYSTYRENE	1	COLOR : WHITE or BLACK
2	PLASTIC (EMBOSS) TAPE	_____	PET	_____	COLOR : TRANSPARENCY (CLEAR) $\triangle_B$
3	COVER	_____	POLYESTER	_____	COLOR : TRANSPARENCY (CLEAR) $\triangle_B$
4	CONNECTOR	SFW__R-2STG__LF	SEE ATTACHED DWG.	1500	UPPER CONTACT TYPE

NOTES

- THIS IS PLASTIC TAPE PACKAGED CONNECTOR USED FOR FPC AND COPES WITH AUTOMATIC MOUNTING (SMT).
- SEE JIS C 0806 (PACKING OF ELECTRONIC COMPONENTS ON CONTINUOUS TAPES (SURFACE MOUNTING DEVICES)) FOR SHAPE AND DIMENSIONS OF PLASTIC (EMBOSS) TAPE AND REEL.
- E DIMENSION IS PORTION OF THE CORE.

mat'l. code		surface 58 <input checked="" type="checkbox"/> tolerance ISO 1302 ISO 406 ISO 1101		projection		product family 58RF		CODE JP	
ltr	ecn no	dr	date	tolerances unless otherwise specified		title PLASTIC TAPE PACKAGED 1mm SPACING SMT CONNECTOR (Cat. No. SFW__R-2STGE5LF)			
c				angles $\pm 5^\circ$	linear $\pm 5$	mm		scale $\times$	
		dr	M. YAMAMOTO 2009-10-27			dwg no 10092072		sheet 7 of 8 size A4	
		enr	M. YAMAMOTO 2009-10-27			type Product Customer Drawing			
		chr	S. Nishida 2009-10-27						
		appd	S. Nishida 2009-10-27						
sheet index	revision sheet								Rev. C



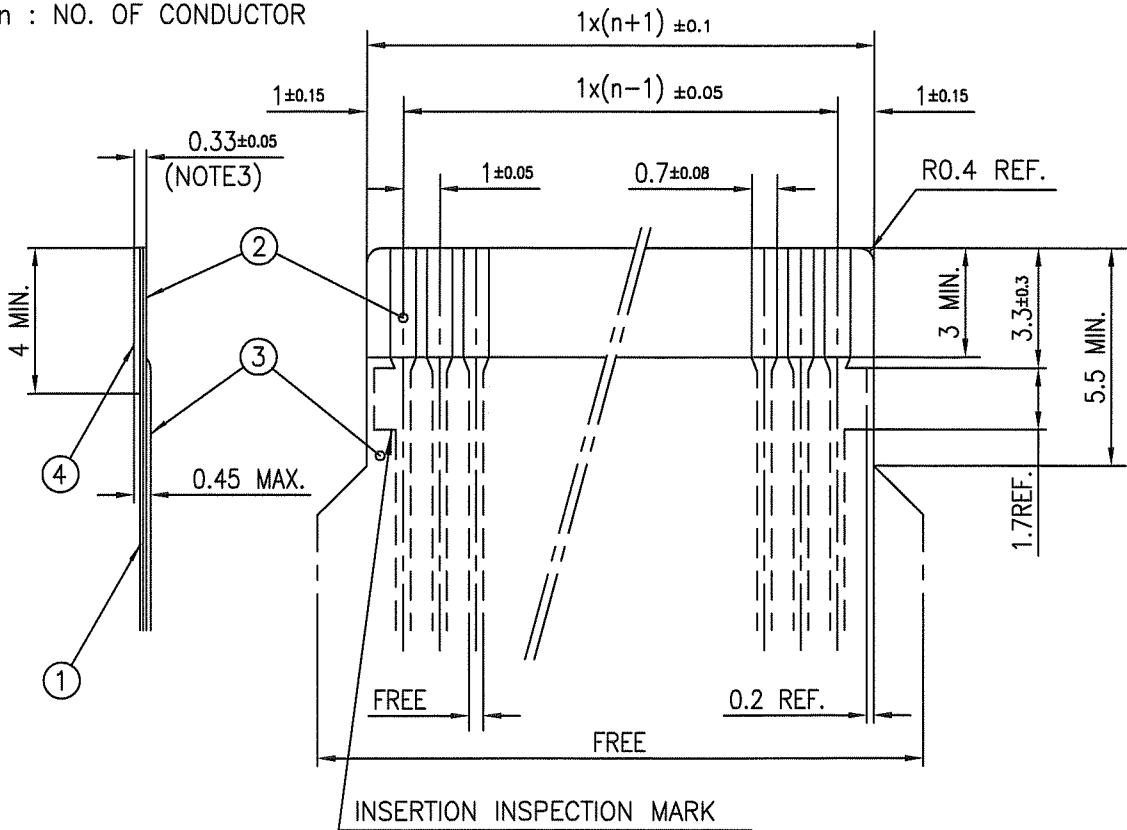
FCIconnect.com

Copyright FCI.



RECOMMENDED CABLE (FPC)

n : NO. OF CONDUCTOR



PT. NO.	PARTS NAME	MATERIAL	THICKNESS (um)
1	BASE FILM	POLYIMIDE OR POLYESTER OR EQUAL	25
2	CONDUCTOR	COPPER FOIL (PLATING : Ni UNDER PLATING GOLD0.5um MIN.)	35
3	OVERLAY	POLYIMIDE OR POLYESTER OR EQUAL	—
4	SUPPORTING TAPE	POLYESTER OR POLYIMIDE OR EQUAL	188

NOTES

1. NO BURR AT EACH PORTION.
2. NO PEELING IN COMMON USE.
3. TOTAL THICKNESS LIMIT OF EACH MATERIAL (INCLUDING ADHESIVE AGENT) IS SPECIFIED.

mat'l. code				surface 58 / tolerance ISO 1302 ✓ / ISO 406 / ISO 1101		projection		product family 58RF		CODE JP	
ltr ecn no dr date				tolerances unless otherwise specified		mm		title			
C				angles linear		scale X		RECOMMENDED CABLE (Cat. No. SFW__R-1/2STG_)			
				dr H. YAMASHITA 2009-10-27		FCI		dwg no		sheet 8 of 8	
				enr M. YAMASHITA 2009-10-27				10092072		size A4	
				chr S. W. T. 2009-10-27				type Product Customer Drawing			
				appd J. Anderson 2009-10-27							
sheet index		revision sheet								Rev. C	



FCIconnect.com

Copyright FCI.





Компания «ЭлектроПласт» предлагает заключение долгосрочных отношений при поставках импортных электронных компонентов на взаимовыгодных условиях!

Наши преимущества:

- Оперативные поставки широкого спектра электронных компонентов отечественного и импортного производства напрямую от производителей и с крупнейших мировых складов;
- Поставка более 17-ти миллионов наименований электронных компонентов;
- Поставка сложных, дефицитных, либо снятых с производства позиций;
- Оперативные сроки поставки под заказ (от 5 рабочих дней);
- Экспресс доставка в любую точку России;
- Техническая поддержка проекта, помощь в подборе аналогов, поставка прототипов;
- Система менеджмента качества сертифицирована по Международному стандарту ISO 9001;
- Лицензия ФСБ на осуществление работ с использованием сведений, составляющих государственную тайну;
- Поставка специализированных компонентов (Xilinx, Altera, Analog Devices, Intersil, Interpoint, Microsemi, Aeroflex, Peregrine, Syfer, Eurofarad, Texas Instrument, Miteq, Cobham, E2V, MA-COM, Hittite, Mini-Circuits, General Dynamics и др.);

Помимо этого, одним из направлений компании «ЭлектроПласт» является направление «Источники питания». Мы предлагаем Вам помощь Конструкторского отдела:

- Подбор оптимального решения, техническое обоснование при выборе компонента;
- Подбор аналогов;
- Консультации по применению компонента;
- Поставка образцов и прототипов;
- Техническая поддержка проекта;
- Защита от снятия компонента с производства.



#### Как с нами связаться

**Телефон:** 8 (812) 309 58 32 (многоканальный)

**Факс:** 8 (812) 320-02-42

**Электронная почта:** [org@eplast1.ru](mailto:org@eplast1.ru)

**Адрес:** 198099, г. Санкт-Петербург, ул. Калинина, дом 2, корпус 4, литера А.