



SiGe WIDEBAND DIRECT QUADRATURE MODULATOR, 200 - 4000 MHz

Typical Applications

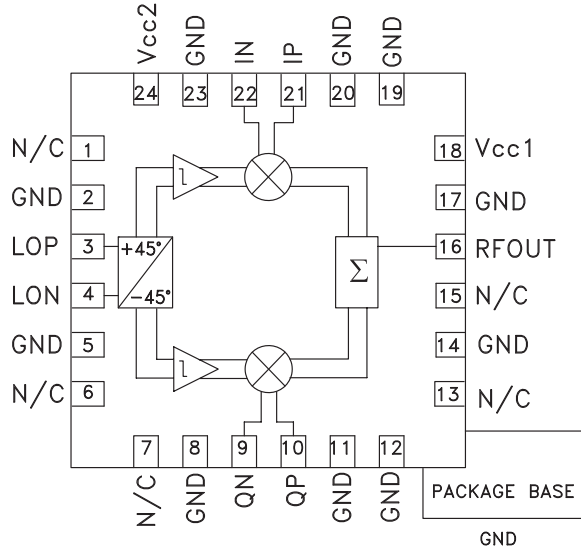
The HMC697LP4(E) is Ideal for:

- UMTS, GSM or CDMA Basestations
- Fixed Wireless or WLL
- ISM Transceivers, 900 & 2400 MHz
- GMSK, QPSK, QAM, SSB Modulators
- Cellular/3G and WiMAX/4G

Features

- Very Low Noise Floor, -165 dBm/Hz
- Excellent Carrier & Sideband Suppression
- Very High Linearity, +22 dBm OIP3
- High Output Power, +9 dBm Output P1dB
- High Modulation Accuracy
- 24 Lead 4x4 mm QFN Package: 16 mm²

Functional Diagram



General Description

The HMC697LP4(E) is a low noise, high linearity Direct Quadrature Modulator RFIC which is ideal for digital modulation applications from 0.2 to 4.0 GHz including; Cellular/3G, WiMAX/4G, Broadband Wireless Access & ISM circuits. Housed in a compact 4x4 mm (LP4) SMT QFN package, the RFIC requires minimal external components & provides a low cost alternative to more complicated double upconversion architectures. The RF output port is single-ended and matched to 50 Ohms with no external components. The LO requires -6 to +6 dBm and can be driven in either differential or single-ended mode. This device is optimized for a +5V supply, and offers improved carrier feedthrough and sideband suppression characteristics.

Electrical Specifications, See Test Conditions on following page herein.

| Parameter | Min. | Typ. | Max. | Min. | Typ. | Max. | Min. | Typ. | Max. | Min. | Typ. | Max. | Units |
|-------------------------------------|-----------|------|------|-------------|------|------|-------------|------|------|-------------|------|------|--------|
| Frequency Range, RF | 450 - 960 | | | 1700 - 2200 | | | 2200 - 2700 | | | 3400 - 4000 | | | MHz |
| Output P1dB | | +8 | | | +8 | | | +8 | | | +7 | | dBm |
| Output Noise Floor | | -167 | | | -165 | | | -165 | | | -165 | | dBm/Hz |
| Output IP3 | | +23 | | | +22 | | | +22 | | | +20 | | dBm |
| Output Power | 2 | 4 | | 1.5 | 3.5 | | 1 | 3 | | 0 | 2 | | dBm |
| Carrier Feedthrough (uncalibrated) | | -38 | | | -38 | | | -40 | | | -33 | | dBm |
| Sideband Suppression (uncalibrated) | | 43 | | | 42 | | | 43 | | | 45 | | dBc |
| LO Port Return Loss | | 12 | | | 15 | | | 14 | | | 8 | | dB |
| RF Port Return Loss | | 25 | | | 17 | | | 15 | | | 16 | | dB |

Electrical Specifications, (continued)

| Parameter | Conditions | Min. | Typ. | Max. | Units |
|--|-------------------------------------|------|------|------|-------|
| RF Output | | | | | |
| RF Frequency Range | | 200 | | 4000 | MHz |
| RF Return Loss | | | 15 | | dB |
| LO Input | | | | | |
| LO Frequency Range | | 200 | | 4000 | MHz |
| LO Input Power | | -6 | 0 | +6 | dBm |
| LO Port Return Loss | | | 12 | | dB |
| Baseband Input Port | | | | | |
| Baseband Input DC Voltage (Vbbdc) | | +1.4 | +1.5 | +1.6 | V |
| Baseband Input DC Bias Current (Ibbdc) | Single-ended. | | 90 | | μA |
| Single-ended Baseband Input Capacitance | De-embed to the lead of the device. | | 4.5 | | pF |
| DC Power Requirements See Test Conditions Below | | | | | |
| Supply Voltage (Vcc1, Vcc2) | | +4.5 | +5.0 | +5.5 | V |
| Supply Current (Icc1 + Icc2) | | | 168 | | mA |

Test Conditions: Unless Otherwise Specified, the Following Test Conditions Were Used

| Parameter | Condition |
|---|--|
| Temperature | +25 °C |
| Baseband Input Frequency | 200 kHz |
| Baseband Input DC Voltage (Vbbdc) | +1.5V |
| Baseband Input AC Voltage (Peak to Peak Differential, I and Q) | 1.6V |
| Baseband Input AC Voltage for OIP3 Measurement (Peak to Peak Differential, I and Q) | 800 mV per tone @ 150 & 250 kHz |
| Frequency Offset for Output Noise Measurements | 20 MHz |
| Supply (Vcc1, Vcc2) | +5.0V |
| LO Input Power | 0 dBm |
| LO Input Mode | Single-Ended through LOP |
| Mounting Configuration | Refer to HMC697LP4E Application Schematic Herein |
| Sideband & Carrier Feedthrough | Uncalibrated |

Calibrated vs. Uncalibrated Test Results

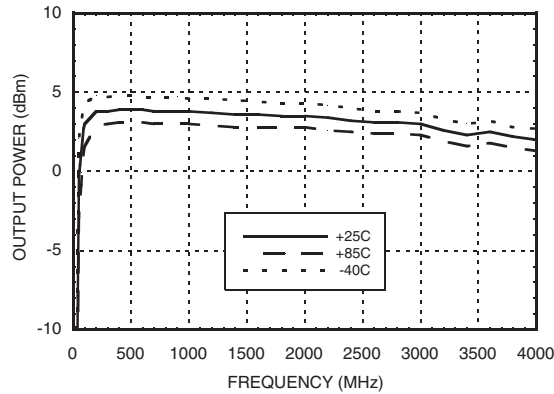
During the Uncalibrated Sideband and Carrier Suppression tests, care is taken to ensure that the I/Q signal paths from the Vector Signal Generator (VSG) to the Device Under Test (DUT) are equal. The “Uncalibrated, +25 °C” Sideband and Carrier Suppression plots were measured at room temperature, while the “Uncalibrated, over Temperature” Sideband and Carrier Suppression plots represent the worst case uncalibrated suppression levels measured at T= -40 °C, +25 °C, and +85 °C.

The “Calibrated, + 25 °C” Sideband Suppression data was plotted after a manual adjustment of the I/Q amplitude balance and I/Q phase offset (skew) at +25 °C, and at each LO input power level. The +25 °C adjustment settings were held constant during tests over temperature. The “Calibrated, over Temperature” plots represent the worst case calibrated Sideband Suppression levels at T= -40 °C, +25 °C, and +85 °C.

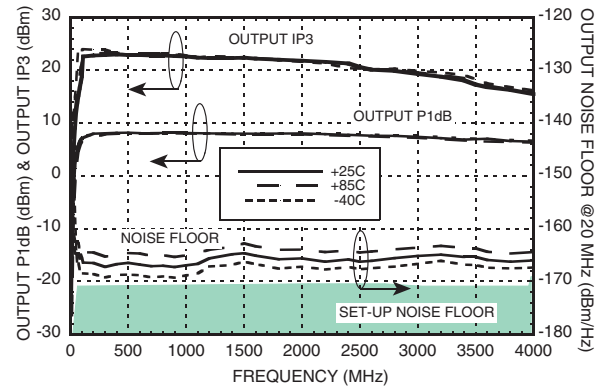
The “Calibrated, +25 °C” Carrier Suppression data was plotted after a manual adjustment of the Ip/In & Qp/Qn DC offsets at +25 °C, and at each LO input power level. The +25 °C adjustment settings were held constant during tests over temperature. The “Calibrated, over Temperature” plots represent the worst case Carrier Suppression levels measured at T= -40 °C, +25 °C, and +85 °C.

SiGe WIDEBAND DIRECT QUADRATURE MODULATOR, 200 - 4000 MHz

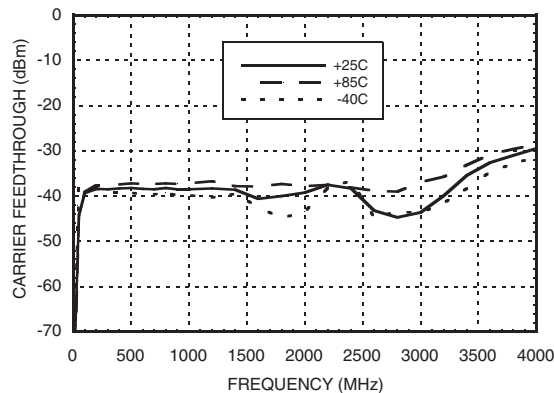
Wideband Performance vs. Frequency



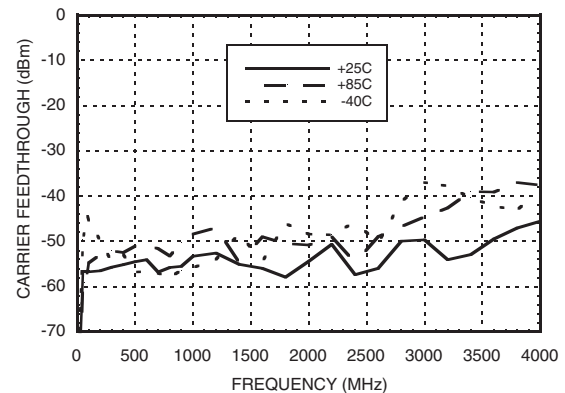
Output IP3, P1dB & Noise Floor @ 20 MHz Offset vs. Frequency



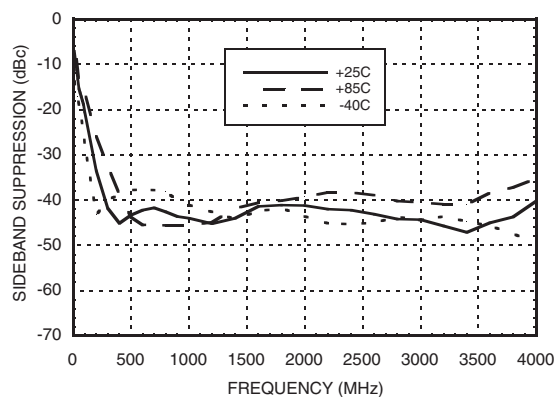
Uncalibrated Carrier Feedthrough [1] vs. Frequency Over Temperature



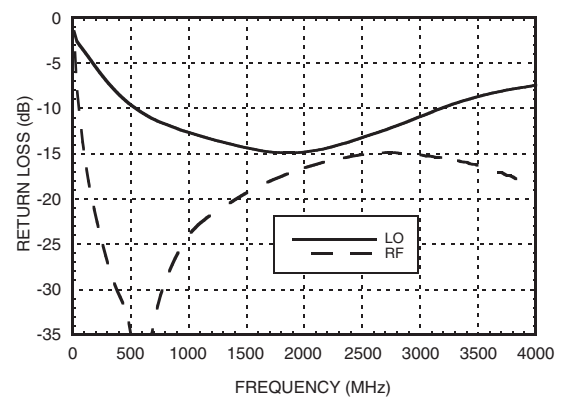
Calibrated Carrier Feedthrough [1] vs. Frequency Over Temperature



Sideband Suppression vs. Frequency



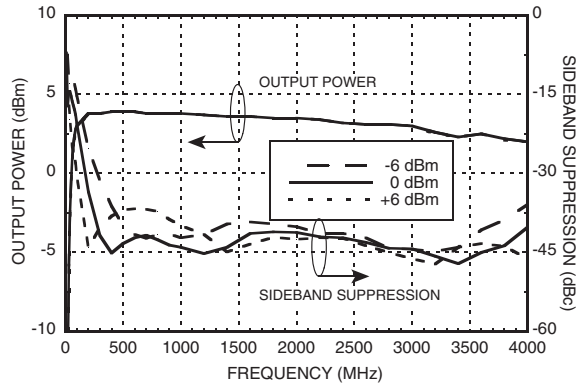
Return Loss vs. Frequency



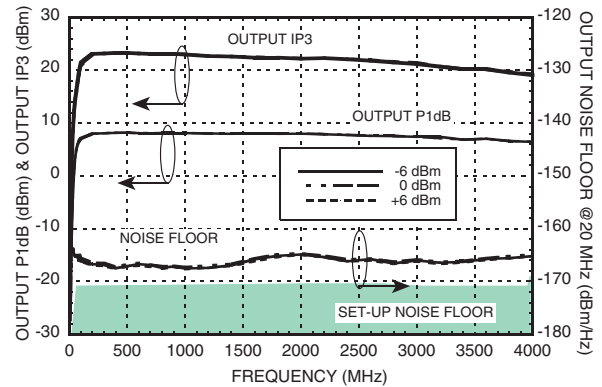
[1] See note titled "Calibrated vs. Uncalibrated test results" herein.

SiGe WIDEBAND DIRECT QUADRATURE MODULATOR, 200 - 4000 MHz

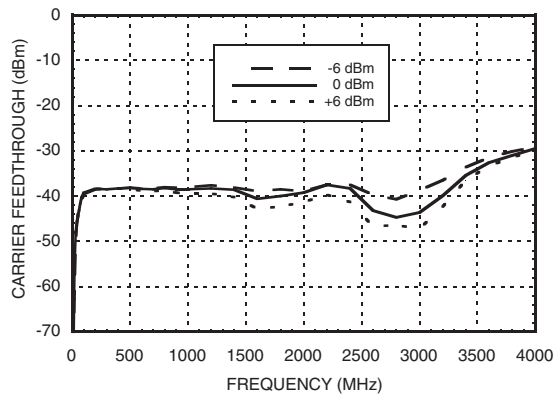
Wideband Performance vs. Frequency Over LO Power



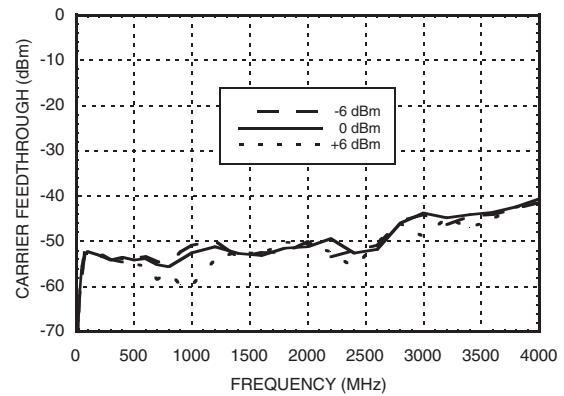
Output IP3, P1dB & Noise Floor @ 20 MHz Offset vs. Frequency Over LO Power



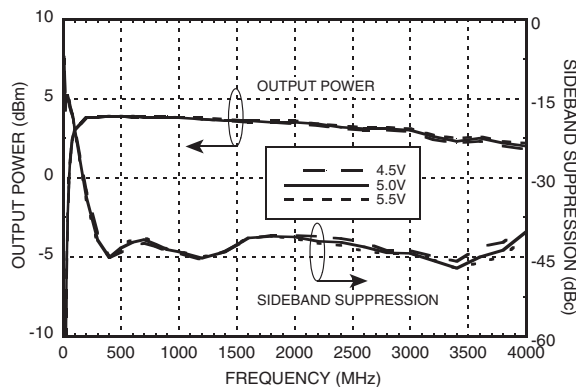
Uncalibrated Carrier Feedthrough [1] vs. Frequency Over LO Power



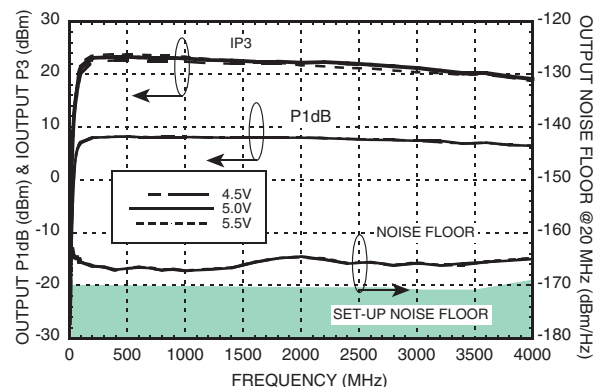
Calibrated Carrier Feedthrough [1] vs. Frequency Over LO Power



Wideband Performance vs. Frequency Over Supply Voltage

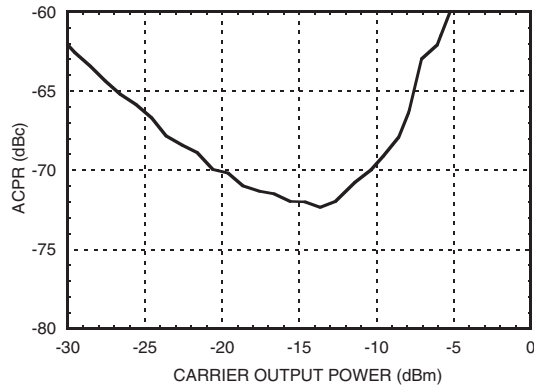


Output IP3, P1dB & Noise Floor @ 20 MHz vs. Offset Frequency Over Supply Voltage



[1] See note titled "Calibrated vs. Uncalibrated test results" herein.

ACPR for W-CDMA @ 2140 MHz, 1 Carrier



Note 1: W-CDMA (Modulation Set-up for ACPR Mode); The Baseband I and Q input signals were generated using "Test Model 1 with 64 channels" settings in the Agilent E3844C.
 Note 2: The I/Q baseband amplitude and phase inputs were offset to achieve Sideband Rejection (SBR) levels. LO = +6 dBm, SSB Power = 0 dBm

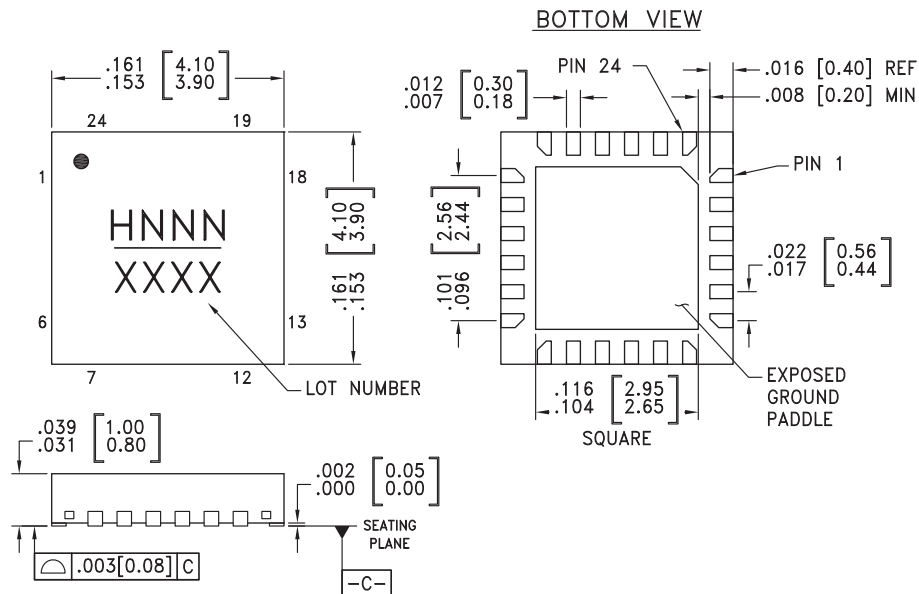
Absolute Maximum Ratings

| | |
|---|----------------|
| Vcc1, Vcc2 | 0V to +6V |
| LO Input Power | +18 dBm |
| Baseband Input Voltage (AC + DC) (Reference to GND) | 0V to +2.8V |
| Junction Temperature | 150 °C |
| Continuous Pdiss (T = 85°C) (Derate 30 mW/°C above 85°C) | 1.8 Watts |
| Thermal Resistance (R _{th}) (junction to ground paddle) | 34 °C/W |
| Storage Temperature | -65 to +150 °C |
| Operating Temperature | -40 to +85 °C |
| ESD Sensitivity (HBM) | Class 1A |



**ELECTROSTATIC SENSITIVE DEVICE
OBSERVE HANDLING PRECAUTIONS**

Outline Drawing




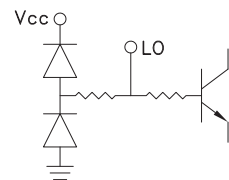
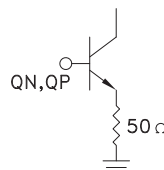
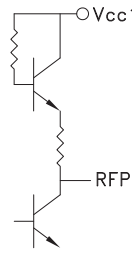
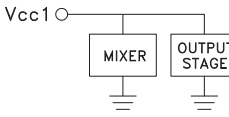
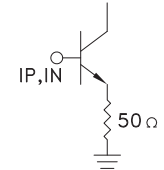
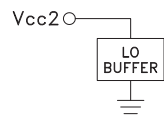
Package Information

| Part Number | Package Body Material | Lead Finish | MSL Rating | Package Marking ^[3] |
|-------------|--|---------------|---------------------|--------------------------------|
| HMC697LP4 | Low Stress Injection Molded Plastic | Sn/Pb Solder | MSL1 ^[1] | H697 XXXX |
| HMC697LP4E | RoHS-compliant Low Stress Injection Molded Plastic | 100% matte Sn | MSL1 ^[2] | H697 XXXX |

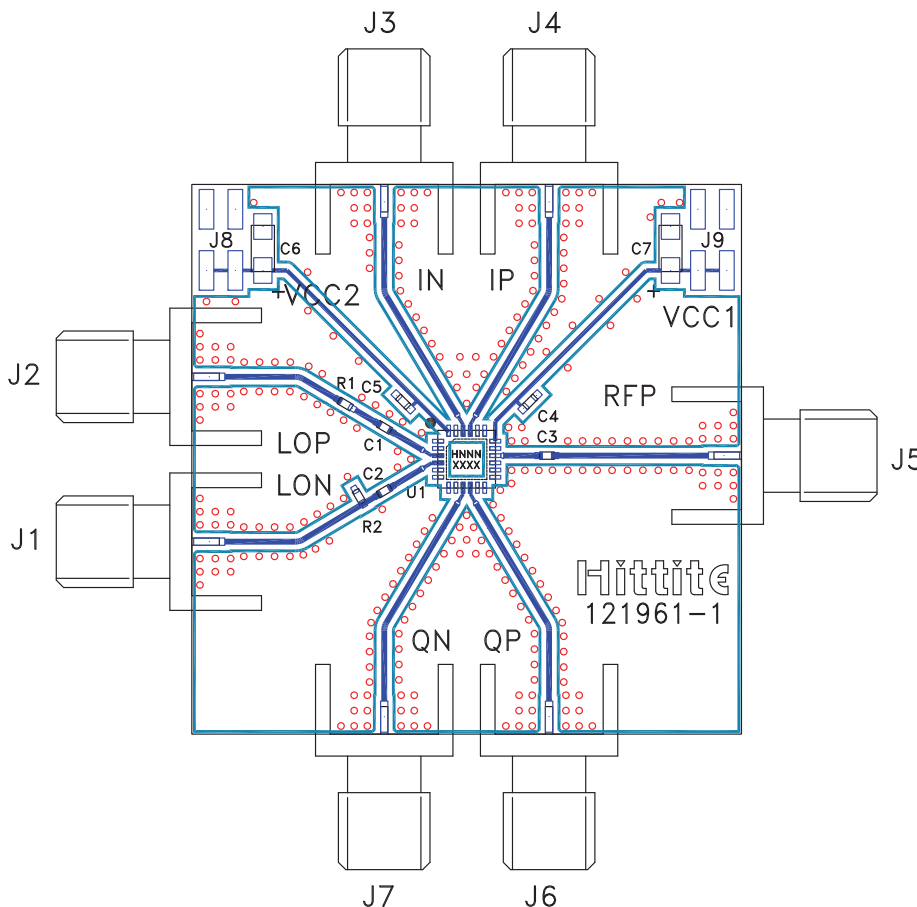
[1] Max peak reflow temperature of 235 °C
 [2] Max peak reflow temperature of 260 °C
 [3] 4-Digit lot number XXXX



Pin Descriptions

| Pin Number | Function | Description | Interface Schematic |
|-------------------------------------|----------|---|---|
| 1, 6, 7, 13, 15 | N/C | Not connected. | |
| 2, 5, 8, 11, 12, 14, 17, 19, 20, 23 | GND | These pins and the ground paddle should be connected to a high quality RF/DC ground. |  |
| 3, 4 | LOP, LON | LO inputs. Need DC decoupling capacitors. The ports could be driven single ended or differentially. |  |
| 9, 10 | QN, QP | Q channel differential baseband input. These high impedance ports should be biased around 1.5V DC. Nominal recommended baseband input is around 1.6V pp differential. |  |
| 16 | RFOUT | DC coupled and matched to 50 Ohms, output requires blocking capacitor. |  |
| 18 | Vcc1 | Supply voltage for the mixer and output stages 79mA @ +5.0V. |  |
| 21, 22 | IP, IN | I channel differential baseband input. These high impedance ports should be at the same bias voltage (VbbDC) as Qn & Qp. |  |
| 24 | Vcc2 | Supply voltage for the LO stage 88mA @ +5.0V. |  |

Evaluation PCB



List of Materials for Evaluation PCB 121965^[1]

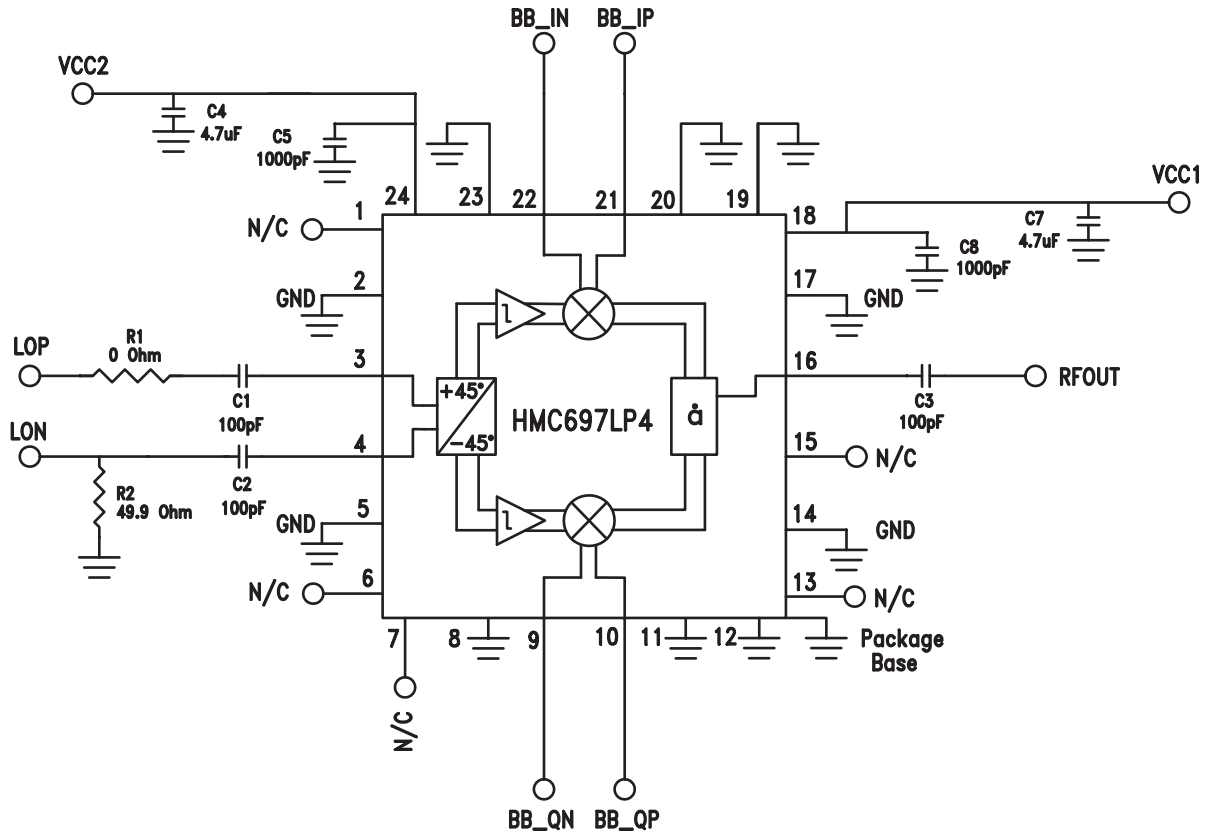
| Item | Description |
|--------------------|-----------------------------------|
| J1 - J7 | PC Mount SMA Connector |
| J8, J9 | DC Molex Connector |
| C1 - C3 | 100 pF Chip Capacitor, 0402 Pkg. |
| C4, C5 | 1000 pF Chip Capacitor, 0402 Pkg. |
| C6, C7 | 4.7 uF, Case A, Tantalum |
| R1 | 0 Ohm Resistor, 0402 Pkg. |
| R2 | 49.9 Ohm Resistor, 0402 Pkg. |
| U1 | HMC697LP4 Modulator |
| PCB ^[2] | 121961 Eval Board |

[1] Reference this number when ordering complete evaluation PCB

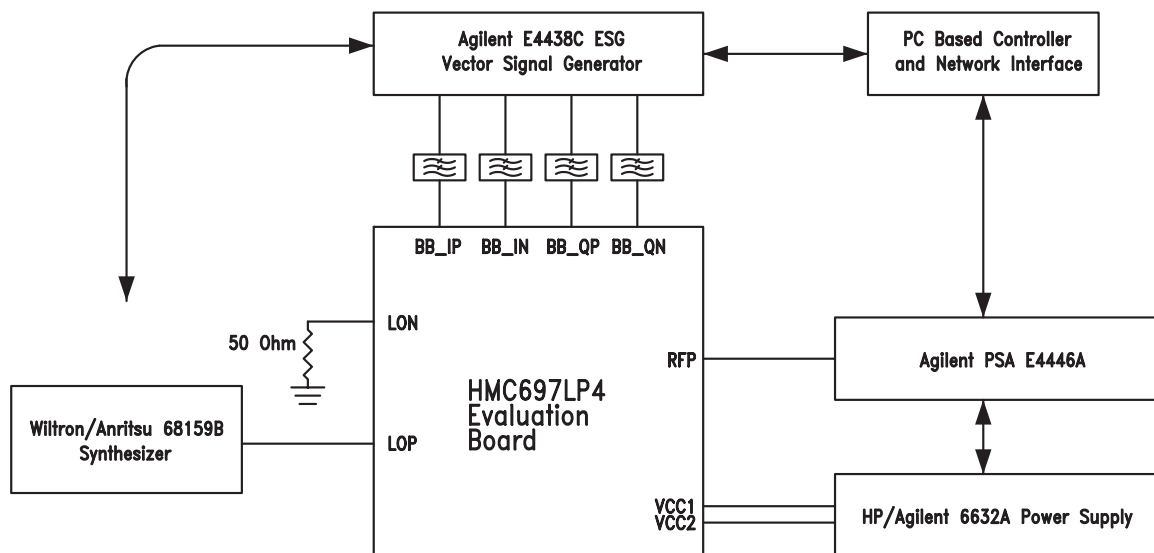
[2] Circuit Board Material: Rogers 4350

The circuit board used in the final application should use RF circuit design techniques. Signal lines should have 50 ohm impedance while the package ground leads and exposed paddle should be connected directly to the ground plane similar to that shown. A sufficient number of via holes should be used to connect the top and bottom ground planes. The evaluation circuit board shown is available from Hittite upon request.

Application & Evaluation PCB Schematic



Characterization Set-up



For price, delivery, and to place orders, please contact Hittite Microwave Corporation:
 20 Alpha Road, Chelmsford, MA 01824 Phone: 978-250-3343 Fax: 978-250-3373
 Order On-line at www.hittite.com



Компания «ЭлектроПласт» предлагает заключение долгосрочных отношений при поставках импортных электронных компонентов на взаимовыгодных условиях!

Наши преимущества:

- Оперативные поставки широкого спектра электронных компонентов отечественного и импортного производства напрямую от производителей и с крупнейших мировых складов;
- Поставка более 17-ти миллионов наименований электронных компонентов;
- Поставка сложных, дефицитных, либо снятых с производства позиций;
- Оперативные сроки поставки под заказ (от 5 рабочих дней);
- Экспресс доставка в любую точку России;
- Техническая поддержка проекта, помощь в подборе аналогов, поставка прототипов;
- Система менеджмента качества сертифицирована по Международному стандарту ISO 9001;
- Лицензия ФСБ на осуществление работ с использованием сведений, составляющих государственную тайну;
- Поставка специализированных компонентов (Xilinx, Altera, Analog Devices, Intersil, Interpoint, Microsemi, Aeroflex, Peregrine, Syfer, Eurofarad, Texas Instrument, Miteq, Cobham, E2V, MA-COM, Hittite, Mini-Circuits, General Dynamics и др.);

Помимо этого, одним из направлений компании «ЭлектроПласт» является направление «Источники питания». Мы предлагаем Вам помощь Конструкторского отдела:

- Подбор оптимального решения, техническое обоснование при выборе компонента;
- Подбор аналогов;
- Консультации по применению компонента;
- Поставка образцов и прототипов;
- Техническая поддержка проекта;
- Защита от снятия компонента с производства.



Как с нами связаться

Телефон: 8 (812) 309 58 32 (многоканальный)

Факс: 8 (812) 320-02-42

Электронная почта: org@eplast1.ru

Адрес: 198099, г. Санкт-Петербург, ул. Калинина, дом 2, корпус 4, литера А.