

## 620 $\mu$ A, 2 MHz Auto-Zeroed Op Amps

### Features

- High DC Precision:
  - $V_{OS}$  Drift:  $\pm 50$  nV/ $^{\circ}$ C (maximum)
  - $V_{OS}$ :  $\pm 2$   $\mu$ V (maximum)
  - $A_{OL}$ : 125 dB (minimum)
  - PSRR: 125 dB (minimum)
  - CMRR: 120 dB (minimum)
  - $E_{ni}$ : 1.0  $\mu$ V<sub>P-P</sub> (typical),  $f = 0.1$  Hz to 10 Hz
  - $E_{ni}$ : 0.32  $\mu$ V<sub>P-P</sub> (typical),  $f = 0.01$  Hz to 1 Hz
- Low Power and Supply Voltages:
  - $I_Q$ : 620  $\mu$ A/amplifier (typical)
  - Wide Supply Voltage Range: 2.3V to 5.5V
- Easy to Use:
  - Rail-to-Rail Input/Output
  - Gain Bandwidth Product: 2 MHz (typical)
  - Unity Gain Stable
  - Available in Single and Dual
  - Single with Chip Select ( $\overline{CS}$ ): MCP6V28
- Extended Temperature Range:  $-40^{\circ}$ C to  $+125^{\circ}$ C

### Typical Applications

- Portable Instrumentation
- Sensor Conditioning
- Temperature Measurement
- DC Offset Correction
- Medical Instrumentation

### Design Aids

- SPICE Macro Models
- FilterLab<sup>®</sup> Software
- Microchip Advanced Part Selector (MAPS)
- Analog Demonstration and Evaluation Boards
- Application Notes

### Related Parts

Parts with lower power, lower bandwidth and higher noise:

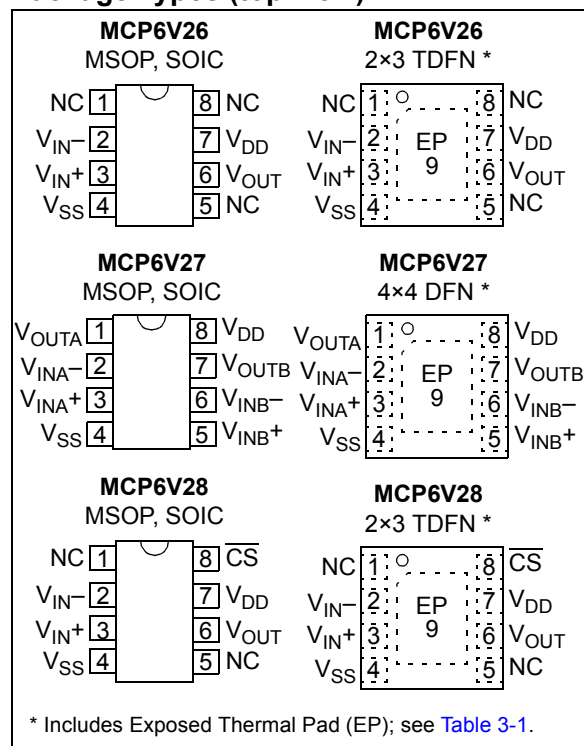
- MCP6V01/2/3: Spread clock
- MCP6V06/7/8: Non-spread clock

### Description

The Microchip Technology Inc. MCP6V26/7/8 family of operational amplifiers provides input offset voltage correction for very low offset and offset drift. These devices have a wide gain bandwidth product (2 MHz, typical) and strongly reject switching noise. They are unity gain stable, have no 1/f noise, and have good power supply rejection ratio (PSRR) and common mode rejection ratio (CMRR). These products operate with a single supply voltage as low as 2.3V, while drawing 620  $\mu$ A/amplifier (typical) of quiescent current.

The Microchip Technology Inc. MCP6V26/7/8 op amps are offered as a single (MCP6V26), single with Chip Select ( $\overline{CS}$ ) (MCP6V28) and dual (MCP6V27). They were designed using an advanced CMOS process.

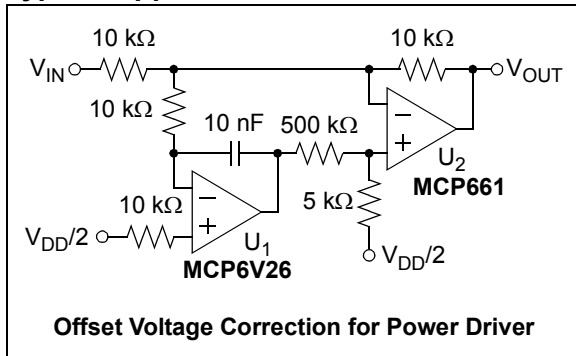
### Package Types (top view)



# MCP6V26/7/8

---

## Typical Application Circuit



## 1.0 ELECTRICAL CHARACTERISTICS

### 1.1 Absolute Maximum Ratings †

$V_{DD} - V_{SS}$ .....	6.5V
Current at Input Pins †† .....	±2 mA
Analog Inputs ( $V_{IN+}$ and $V_{IN-}$ ) †† .....	$V_{SS} - 1.0V$ to $V_{DD} + 1.0V$
All other Inputs and Outputs .....	$V_{SS} - 0.3V$ to $V_{DD} + 0.3V$
Difference Input voltage .....	$ V_{DD} - V_{SS} $
Output Short Circuit Current .....	Continuous
Current at Output and Supply Pins .....	±30 mA
Storage Temperature .....	-65°C to +150°C
Max. Junction Temperature .....	+150°C
ESD protection on all pins (HBM, CDM, MM) ≥ 4 kV, 1.5 kV, 300V	

† **Notice:** Stresses above those listed under “Absolute Maximum Ratings” may cause permanent damage to the device. This is a stress rating only and functional operation of the device at those or any other conditions above those indicated in the operational listings of this specification is not implied. Exposure to maximum rating conditions for extended periods may affect device reliability.

†† See [Section 4.2.1, Rail-to-Rail Inputs](#).

### 1.2 Specifications

**TABLE 1-1: DC ELECTRICAL SPECIFICATIONS**

<b>Electrical Characteristics:</b> Unless otherwise indicated, $T_A = +25^\circ\text{C}$ , $V_{DD} = +2.3V$ to $+5.5V$ , $V_{SS} = \text{GND}$ , $V_{CM} = V_{DD}/3$ , $V_{OUT} = V_{DD}/2$ , $V_L = V_{DD}/2$ , $R_L = 10\text{ k}\Omega$ to $V_L$ and $\overline{\text{CS}} = \text{GND}$ (refer to <a href="#">Figure 1-5</a> and <a href="#">Figure 1-6</a> ).						
Parameters	Sym	Min	Typ	Max	Units	Conditions
<b>Input Offset</b>						
Input Offset Voltage	$V_{OS}$	-2	—	+2	$\mu\text{V}$	$T_A = +25^\circ\text{C}$ ( <a href="#">Note 1</a> )
Input Offset Voltage Drift with Temperature (linear Temp. Co.)	$TC_1$	-50	—	+50	$\text{nV}/^\circ\text{C}$	$T_A = -40$ to $+125^\circ\text{C}$ ( <a href="#">Note 1</a> )
Input Offset Voltage Quadratic Temperature Coefficient	$TC_2$	—	±0.2	—	$\text{nV}/^\circ\text{C}^2$	$T_A = -40$ to $+125^\circ\text{C}$
Power Supply Rejection	PSRR	125	142	—	dB	( <a href="#">Note 1</a> )
<b>Input Bias Current and Impedance</b>						
Input Bias Current	$I_B$	—	+7	—	pA	
Input Bias Current across Temperature	$I_B$	—	+110	—	pA	$T_A = +85^\circ\text{C}$
	$I_B$	—	+1.2	+5	nA	$T_A = +125^\circ\text{C}$
Input Offset Current	$I_{OS}$	—	±70	—	pA	
Input Offset Current across Temperature	$I_{OS}$	—	±50	—	pA	$T_A = +85^\circ\text{C}$
	$I_{OS}$	—	±60	—	pA	$T_A = +125^\circ\text{C}$
Common Mode Input Impedance	$Z_{CM}$	—	$10^{13}  12$	—	$\Omega  \text{pF}$	
Differential Input Impedance	$Z_{DIFF}$	—	$10^{13}  12$	—	$\Omega  \text{pF}$	

**Note 1:** Set by design and characterization. Due to thermal junction and other effects in the production environment, these parts can only be screened in production (except  $TC_1$ ; see [Appendix B: “Offset Related Test Screens”](#)).

**2:** [Figure 2-18](#) shows how  $V_{CML}$  and  $V_{CMH}$  changed across temperature for the first production lot.

# MCP6V26/7/8

**TABLE 1-1: DC ELECTRICAL SPECIFICATIONS (CONTINUED)**

<b>Electrical Characteristics:</b> Unless otherwise indicated, $T_A = +25^\circ\text{C}$ , $V_{DD} = +2.3\text{V}$ to $+5.5\text{V}$ , $V_{SS} = \text{GND}$ , $V_{CM} = V_{DD}/3$ , $V_{OUT} = V_{DD}/2$ , $V_L = V_{DD}/2$ , $R_L = 10\text{ k}\Omega$ to $V_L$ and $\overline{\text{CS}} = \text{GND}$ (refer to <a href="#">Figure 1-5</a> and <a href="#">Figure 1-6</a> ).						
Parameters	Sym	Min	Typ	Max	Units	Conditions
<b>Common Mode</b>						
Common-Mode Input Voltage Range Low	$V_{CML}$	—	—	$V_{SS} - 0.15$	V	(Note 2)
Common-Mode Input Voltage Range High	$V_{CMH}$	$V_{DD} + 0.2$	—	—	V	(Note 2)
Common-Mode Rejection	CMRR	120	136	—	dB	$V_{DD} = 2.3\text{V}$ , $V_{CM} = -0.15\text{V}$ to $2.5\text{V}$ (Note 1, Note 2)
	CMRR	125	142	—	dB	$V_{DD} = 5.5\text{V}$ , $V_{CM} = -0.15\text{V}$ to $5.7\text{V}$ (Note 1, Note 2)
<b>Open-Loop Gain</b>						
DC Open-Loop Gain (large signal)	$A_{OL}$	125	147	—	dB	$V_{DD} = 2.3\text{V}$ , $V_{OUT} = 0.2\text{V}$ to $2.1\text{V}$ (Note 1)
	$A_{OL}$	133	155	—	dB	$V_{DD} = 5.5\text{V}$ , $V_{OUT} = 0.2\text{V}$ to $5.3\text{V}$ (Note 1)
<b>Output</b>						
Minimum Output Voltage Swing	$V_{OL}$	—	$V_{SS} + 5$	$V_{SS} + 15$	mV	$G = +2$ , $0.5\text{V}$ input overdrive
Maximum Output Voltage Swing	$V_{OH}$	$V_{DD} - 15$	$V_{DD} - 5$	—	mV	$G = +2$ , $0.5\text{V}$ input overdrive
Output Short Circuit Current	$I_{SC}$	—	$\pm 12$	—	mA	$V_{DD} = 2.3\text{V}$
	$I_{SC}$	—	$\pm 22$	—	mA	$V_{DD} = 5.5\text{V}$
<b>Power Supply</b>						
Supply Voltage	$V_{DD}$	2.3	—	5.5	V	
Quiescent Current per amplifier	$I_Q$	450	620	800	$\mu\text{A}$	$I_O = 0$
POR Trip Voltage	$V_{POR}$	1.15	—	1.65	V	

**Note 1:** Set by design and characterization. Due to thermal junction and other effects in the production environment, these parts can only be screened in production (except  $TC_1$ ; see [Appendix B: “Offset Related Test Screens”](#)).

**2:** [Figure 2-18](#) shows how  $V_{CML}$  and  $V_{CMH}$  changed across temperature for the first production lot.

**TABLE 1-2: AC ELECTRICAL SPECIFICATIONS**

**Electrical Characteristics:** Unless otherwise indicated,  $T_A = +25^\circ\text{C}$ ,  $V_{DD} = +2.3\text{V}$  to  $+5.5\text{V}$ ,  $V_{SS} = \text{GND}$ ,  $V_{CM} = V_{DD}/3$ ,  $V_{OUT} = V_{DD}/2$ ,  $V_L = V_{DD}/2$ ,  $R_L = 10\text{ k}\Omega$  to  $V_L$ ,  $C_L = 60\text{ pF}$  and  $\overline{\text{CS}} = \text{GND}$  (refer to [Figure 1-5](#) and [Figure 1-6](#)).

Parameters	Sym	Min	Typ	Max	Units	Conditions
<b>Amplifier AC Response</b>						
Gain Bandwidth Product	GBWP	—	2.0	—	MHz	
Slew Rate	SR	—	1.0	—	V/ $\mu\text{s}$	
Phase Margin	PM	—	65	—	$^\circ$	G = +1
<b>Amplifier Noise Response</b>						
Input Noise Voltage	$E_{ni}$	—	0.32	—	$\mu\text{V}_{P-P}$	f = 0.01 Hz to 1 Hz
	$E_{ni}$	—	1.0	—	$\mu\text{V}_{P-P}$	f = 0.1 Hz to 10 Hz
Input Noise Voltage Density	$e_{ni}$	—	50	—	nV/ $\sqrt{\text{Hz}}$	f < 5 kHz
	$e_{ni}$	—	29	—	nV/ $\sqrt{\text{Hz}}$	f = 100 kHz
Input Noise Current Density	$i_{ni}$	—	0.6	—	fA/ $\sqrt{\text{Hz}}$	
<b>Amplifier Distortion (Note 1)</b>						
Intermodulation Distortion (AC)	IMD	—	40	—	$\mu\text{V}_{PK}$	$V_{CM}$ tone = 50 mV $_{PK}$ at 1 kHz, $G_N = 1$
<b>Amplifier Step Response</b>						
Start Up Time	$t_{STR}$	—	75	—	$\mu\text{s}$	G = +1, $V_{OS}$ within 50 $\mu\text{V}$ of its final value <b>(Note 2)</b>
Offset Correction Settling Time	$t_{STL}$	—	150	—	$\mu\text{s}$	G = +1, $V_{IN}$ step of 2V, $V_{OS}$ within 50 $\mu\text{V}$ of its final value
Output Overdrive Recovery Time	$t_{ODR}$	—	45	—	$\mu\text{s}$	G = -100, $\pm 0.5\text{V}$ input overdrive to $V_{DD}/2$ , $V_{IN}$ 50% point to $V_{OUT}$ 90% point <b>(Note 3)</b>

- Note 1:** These parameters were characterized using the circuit in [Figure 1-7](#). In [Figure 2-37](#) and [Figure 2-38](#), there is an IMD tone at DC, a residual tone at 1 kHz, other IMD tones and clock tones.
- 2:** High gains behave differently; see [Section 4.3.3, Offset at Power Up](#).
- 3:**  $t_{ODR}$  includes some uncertainty due to clock edge timing.

# MCP6V26/7/8

**TABLE 1-3: DIGITAL ELECTRICAL SPECIFICATIONS**

**Electrical Characteristics:** Unless otherwise indicated,  $T_A = +25^\circ\text{C}$ ,  $V_{DD} = +2.3\text{V}$  to  $+5.5\text{V}$ ,  $V_{SS} = \text{GND}$ ,  $V_{CM} = V_{DD}/3$ ,  $V_{OUT} = V_{DD}/2$ ,  $V_L = V_{DD}/2$ ,  $R_L = 10\text{ k}\Omega$  to  $V_L$ ,  $C_L = 60\text{ pF}$ , and  $\overline{\text{CS}} = \text{GND}$  (refer to [Figure 1-5](#) and [Figure 1-6](#)).

Parameters	Sym	Min	Typ	Max	Units	Conditions
<b><math>\overline{\text{CS}}</math> Pull-Down Resistor (MCP6V28)</b>						
$\overline{\text{CS}}$ Pull-Down Resistor	$R_{PD}$	3	5	—	$\text{M}\Omega$	
<b><math>\overline{\text{CS}}</math> Low Specifications (MCP6V28)</b>						
$\overline{\text{CS}}$ Logic Threshold, Low	$V_{IL}$	$V_{SS}$	—	$0.3V_{DD}$	V	
$\overline{\text{CS}}$ Input Current, Low	$I_{CSL}$	—	5	—	$\text{pA}$	$\overline{\text{CS}} = V_{SS}$
<b><math>\overline{\text{CS}}</math> High Specifications (MCP6V28)</b>						
$\overline{\text{CS}}$ Logic Threshold, High	$V_{IH}$	$0.7V_{DD}$	—	$V_{DD}$	V	
$\overline{\text{CS}}$ Input Current, High	$I_{CSH}$	—	$V_{DD}/R_{PD}$	—	$\text{pA}$	$\overline{\text{CS}} = V_{DD}$
$\overline{\text{CS}}$ Input High, GND Current per amplifier	$I_{SS}$	—	-0.4	—	$\mu\text{A}$	$\overline{\text{CS}} = V_{DD}$ , $V_{DD} = 2.3\text{V}$
	$I_{SS}$	—	-1	—	$\mu\text{A}$	$\overline{\text{CS}} = V_{DD}$ , $V_{DD} = 5.5\text{V}$
Amplifier Output Leakage, $\overline{\text{CS}}$ High	$I_{O\_LEAK}$	—	20	—	$\text{pA}$	$\overline{\text{CS}} = V_{DD}$
<b><math>\overline{\text{CS}}</math> Dynamic Specifications (MCP6V28)</b>						
$\overline{\text{CS}}$ Low to Amplifier Output On Turn-on Time	$t_{ON}$	—	4	50	$\mu\text{s}$	$\overline{\text{CS}}$ Low = $V_{SS} + 0.3\text{ V}$ , $G = +1\text{ V/V}$ , $V_{OUT} = 0.9 V_{DD}/2$
$\overline{\text{CS}}$ High to Amplifier Output High-Z	$t_{OFF}$	—	1	—	$\mu\text{s}$	$\overline{\text{CS}}$ High = $V_{DD} - 0.3\text{ V}$ , $G = +1\text{ V/V}$ , $V_{OUT} = 0.1 V_{DD}/2$
Internal Hysteresis	$V_{HYST}$	—	0.2	—	V	

**TABLE 1-4: TEMPERATURE SPECIFICATIONS**

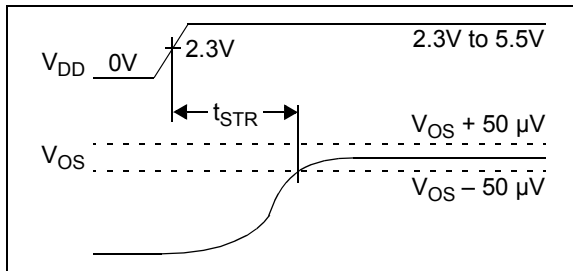
**Electrical Characteristics:** Unless otherwise indicated, all limits are specified for:  $V_{DD} = +2.3\text{V}$  to  $+5.5\text{V}$ ,  $V_{SS} = \text{GND}$ .

Parameters	Sym	Min	Typ	Max	Units	Conditions
<b>Temperature Ranges</b>						
Specified Temperature Range	$T_A$	-40	—	+125	$^\circ\text{C}$	
Operating Temperature Range	$T_A$	-40	—	+125	$^\circ\text{C}$	(Note 1)
Storage Temperature Range	$T_A$	-65	—	+150	$^\circ\text{C}$	
<b>Thermal Package Resistances</b>						
Thermal Resistance, 8L-4x4 DFN	$\theta_{JA}$	—	48	—	$^\circ\text{C/W}$	(Note 2)
Thermal Resistance, 8L-MSOP	$\theta_{JA}$	—	211	—	$^\circ\text{C/W}$	
Thermal Resistance, 8L-SOIC	$\theta_{JA}$	—	150	—	$^\circ\text{C/W}$	
Thermal Resistance, 8L-2x3 TDFN	$\theta_{JA}$	—	53	—	$^\circ\text{C/W}$	(Note 2)

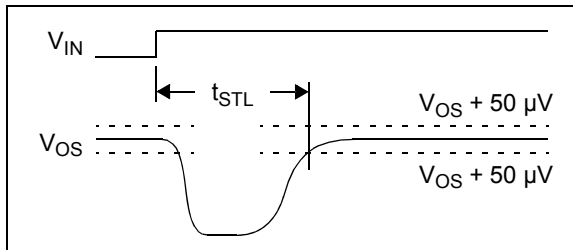
**Note 1:** Operation must not cause  $T_J$  to exceed Maximum Junction Temperature specification ( $+150^\circ\text{C}$ ).

**Note 2:** Measured on a standard JC51-7, four layer printed circuit board with ground plane and vias.

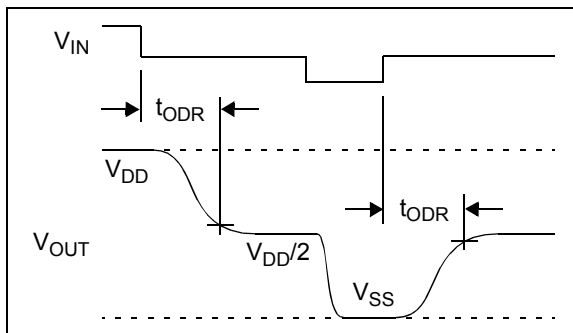
## 1.3 Timing Diagrams



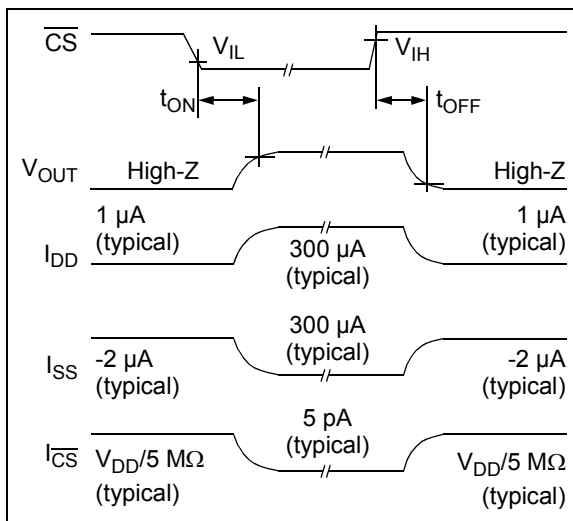
**FIGURE 1-1:** Amplifier Start Up.



**FIGURE 1-2:** Offset Correction Settling Time.



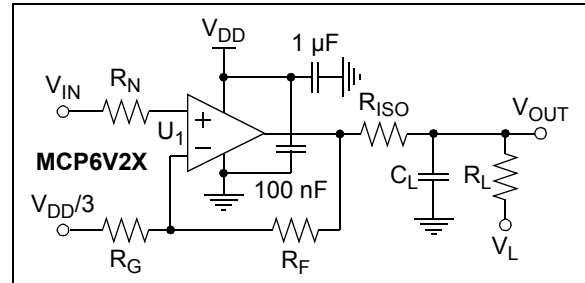
**FIGURE 1-3:** Output Overdrive Recovery.



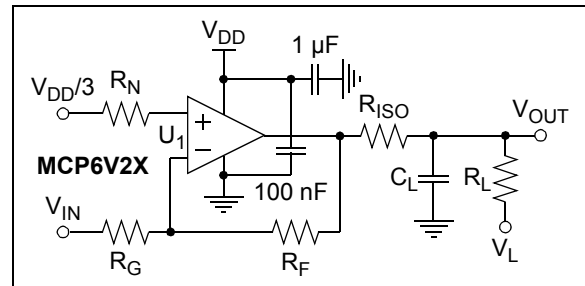
**FIGURE 1-4:** Chip Select (MCP6V28).

## 1.4 Test Circuits

The circuits used for the DC and AC tests are shown in [Figure 1-5](#) and [Figure 1-6](#). Lay the bypass capacitors out as discussed in [Section 4.3.10, Supply Bypassing and Filtering](#).  $R_N$  is equal to the parallel combination of  $R_F$  and  $R_G$  to minimize bias current effects.

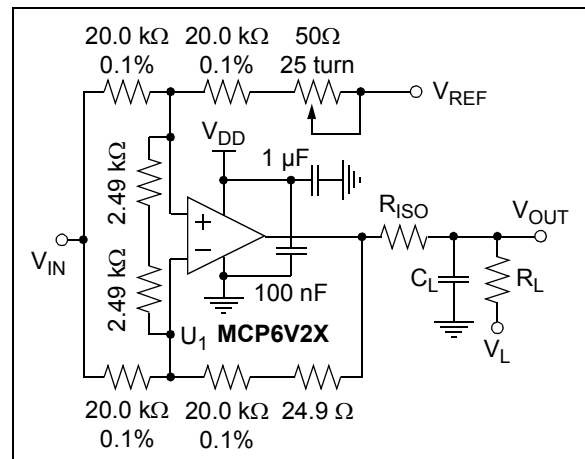


**FIGURE 1-5:** AC and DC Test Circuit for Most Non-Inverting Gain Conditions.



**FIGURE 1-6:** AC and DC Test Circuit for Most Inverting Gain Conditions.

The circuit in [Figure 1-7](#) tests the op amp input's dynamic behavior (i.e., IMD,  $t_{STR}$ ,  $t_{STL}$  and  $t_{ODR}$ ). The potentiometer balances the resistor network ( $V_{OUT}$  should equal  $V_{REF}$  at DC). The op amp's common mode input voltage is  $V_{CM} = V_{IN}/2$ . The error at the input ( $V_{ERR}$ ) appears at  $V_{OUT}$  with a noise gain of 10 V/V.



**FIGURE 1-7:** Test Circuit for Dynamic Input Behavior.

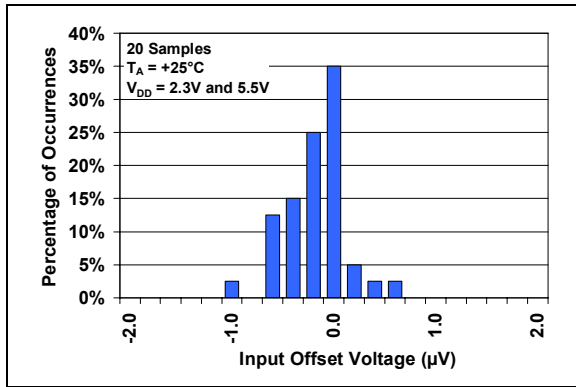
# MCP6V26/7/8

## 2.0 TYPICAL PERFORMANCE CURVES

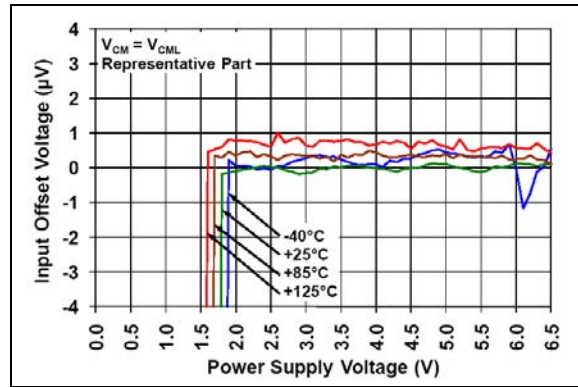
**Note:** The graphs and tables provided following this note are a statistical summary based on a limited number of samples and are provided for informational purposes only. The performance characteristics listed herein are not tested or guaranteed. In some graphs or tables, the data presented may be outside the specified operating range (e.g., outside specified power supply range) and therefore outside the warranted range.

**Note:** Unless otherwise indicated,  $T_A = +25^\circ\text{C}$ ,  $V_{DD} = +2.3\text{V}$  to  $5.5\text{V}$ ,  $V_{SS} = \text{GND}$ ,  $V_{CM} = V_{DD}/3$ ,  $V_{OUT} = V_{DD}/2$ ,  $V_L = V_{DD}/2$ ,  $R_L = 10\text{ k}\Omega$  to  $V_L$ ,  $C_L = 60\text{ pF}$  and  $\overline{\text{CS}} = \text{GND}$ .

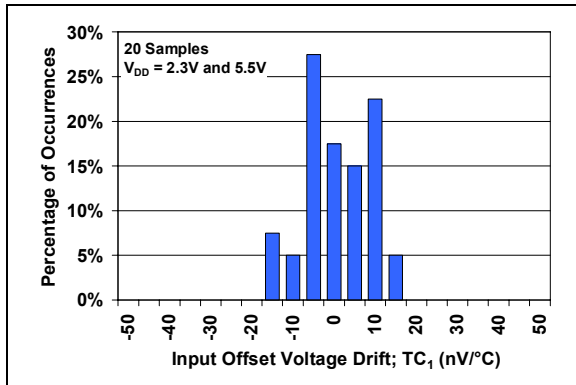
### 2.1 DC Input Precision



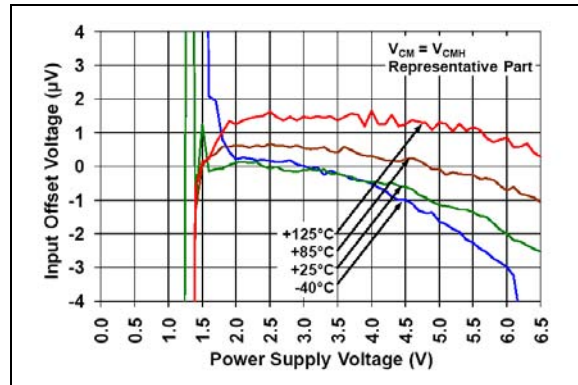
**FIGURE 2-1:** Input Offset Voltage.



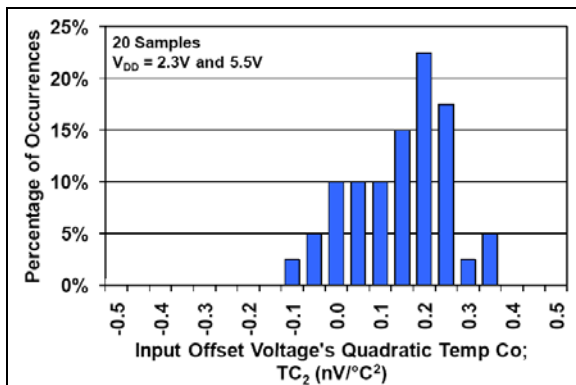
**FIGURE 2-4:** Input Offset Voltage vs. Power Supply Voltage with  $V_{CM} = V_{CM_L}$ .



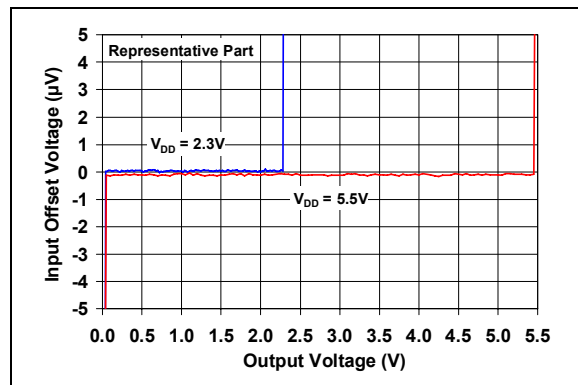
**FIGURE 2-2:** Input Offset Voltage Drift.



**FIGURE 2-5:** Input Offset Voltage vs. Power Supply Voltage with  $V_{CM} = V_{CM_H}$ .



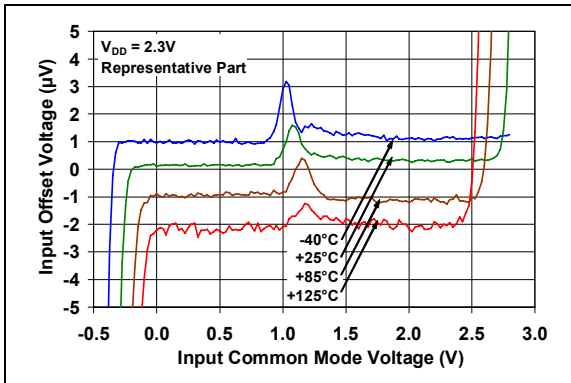
**FIGURE 2-3:** Input Offset Voltage Quadratic Temperature Coefficient.



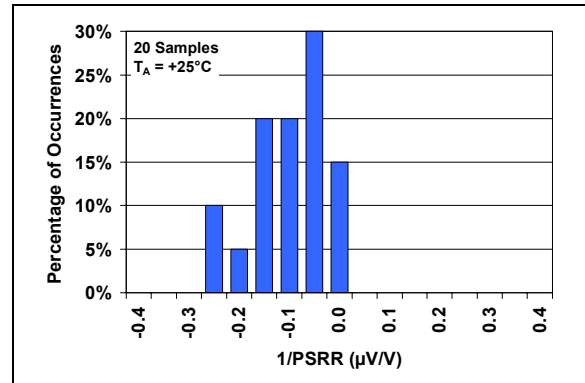
**FIGURE 2-6:** Input Offset Voltage vs. Output Voltage.



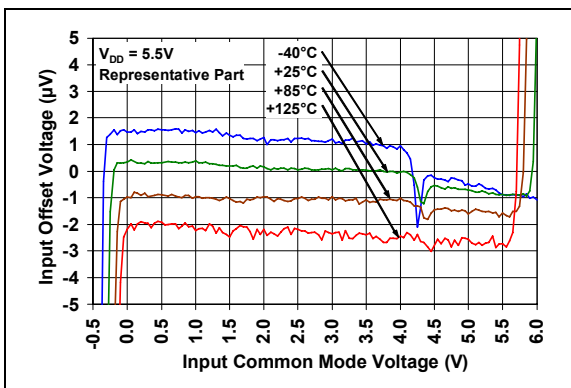
**Note:** Unless otherwise indicated,  $T_A = +25^\circ\text{C}$ ,  $V_{DD} = +2.3\text{V}$  to  $5.5\text{V}$ ,  $V_{SS} = \text{GND}$ ,  $V_{CM} = V_{DD}/3$ ,  $V_{OUT} = V_{DD}/2$ ,  $V_L = V_{DD}/2$ ,  $R_L = 10\text{ k}\Omega$  to  $V_L$ ,  $C_L = 60\text{ pF}$  and  $\overline{\text{CS}} = \text{GND}$ .



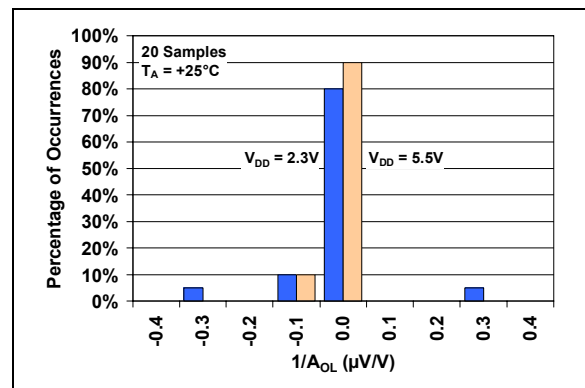
**FIGURE 2-7:** Input Offset Voltage vs. Common Mode Voltage with  $V_{DD} = 2.3\text{V}$ .



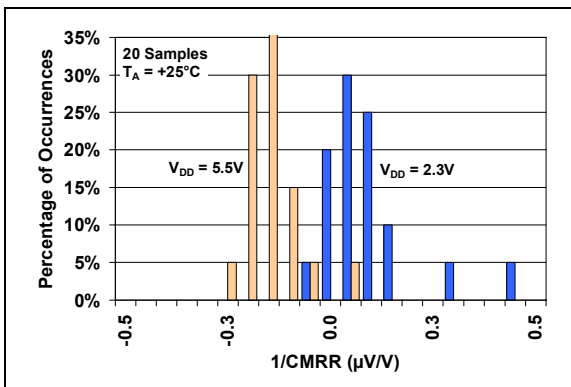
**FIGURE 2-10:** PSRR.



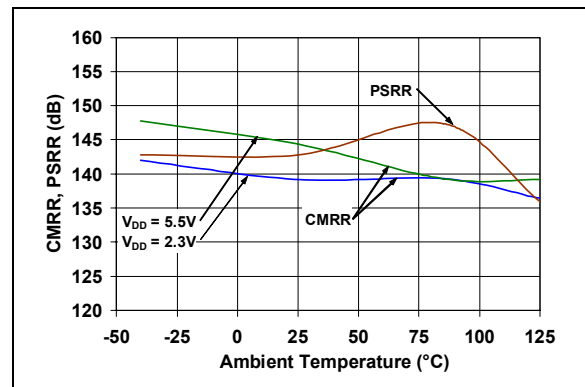
**FIGURE 2-8:** Input Offset Voltage vs. Common Mode Voltage with  $V_{DD} = 5.5\text{V}$ .



**FIGURE 2-11:** DC Open-Loop Gain.



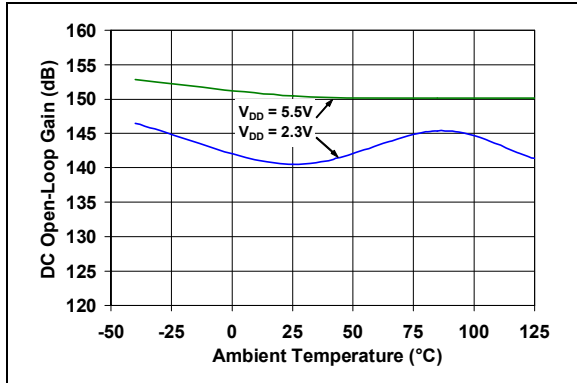
**FIGURE 2-9:** CMRR.



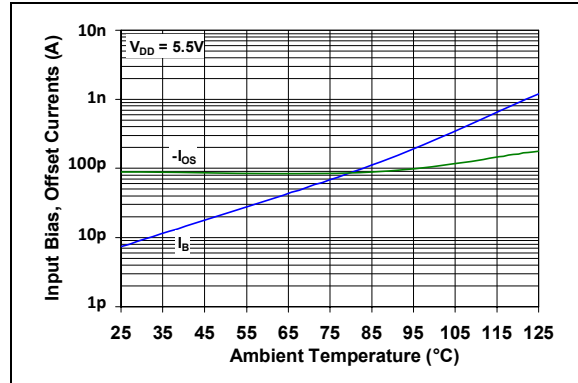
**FIGURE 2-12:** CMRR and PSRR vs. Ambient Temperature.

# MCP6V26/7/8

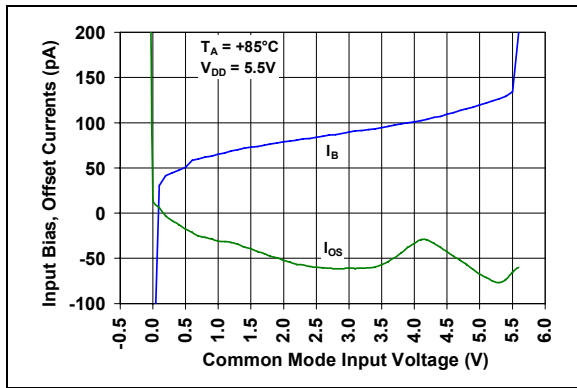
**Note:** Unless otherwise indicated,  $T_A = +25^\circ\text{C}$ ,  $V_{DD} = +2.3\text{V}$  to  $5.5\text{V}$ ,  $V_{SS} = \text{GND}$ ,  $V_{CM} = V_{DD}/3$ ,  $V_{OUT} = V_{DD}/2$ ,  $V_L = V_{DD}/2$ ,  $R_L = 10\text{ k}\Omega$  to  $V_L$ ,  $C_L = 60\text{ pF}$  and  $\overline{\text{CS}} = \text{GND}$ .



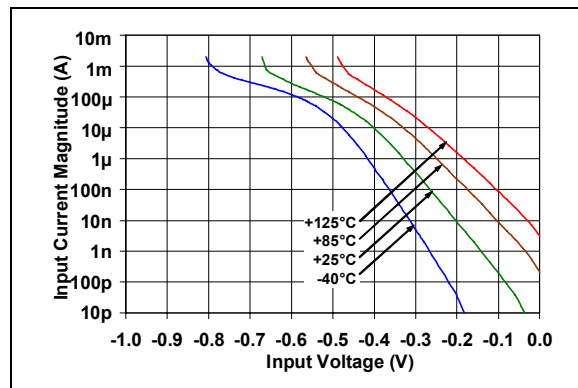
**FIGURE 2-13:** DC Open-Loop Gain vs. Ambient Temperature.



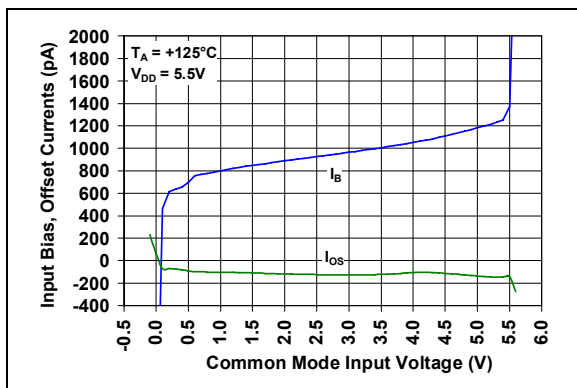
**FIGURE 2-16:** Input Bias and Offset Currents vs. Ambient Temperature with  $V_{DD} = +5.5\text{V}$ .



**FIGURE 2-14:** Input Bias and Offset Currents vs. Common Mode Input Voltage with  $T_A = +85^\circ\text{C}$ .



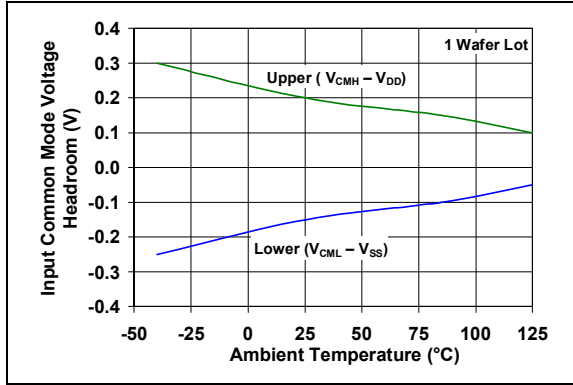
**FIGURE 2-17:** Input Bias Current vs. Input Voltage (below  $V_{SS}$ ).



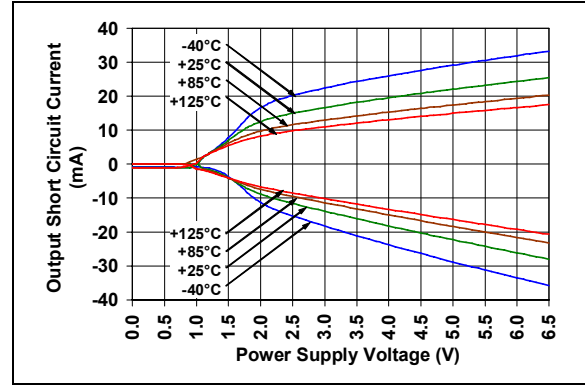
**FIGURE 2-15:** Input Bias and Offset Currents vs. Common Mode Input Voltage with  $T_A = +125^\circ\text{C}$ .

**Note:** Unless otherwise indicated,  $T_A = +25^\circ\text{C}$ ,  $V_{DD} = +2.3\text{V}$  to  $5.5\text{V}$ ,  $V_{SS} = \text{GND}$ ,  $V_{CM} = V_{DD}/3$ ,  $V_{OUT} = V_{DD}/2$ ,  $V_L = V_{DD}/2$ ,  $R_L = 10\text{ k}\Omega$  to  $V_L$ ,  $C_L = 60\text{ pF}$  and  $\overline{\text{CS}} = \text{GND}$ .

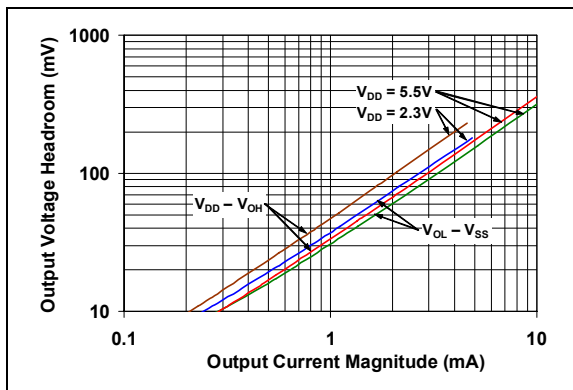
## 2.2 Other DC Voltages and Currents



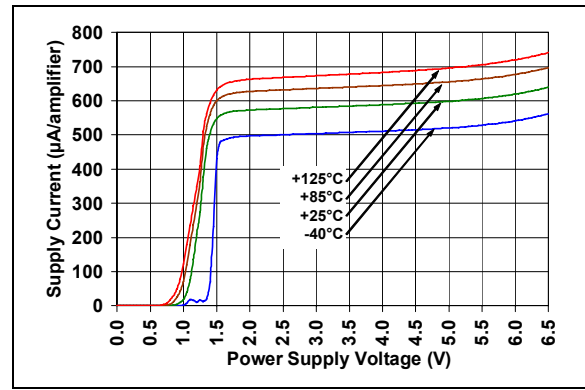
**FIGURE 2-18:** Input Common Mode Voltage Headroom (Range) vs. Ambient Temperature.



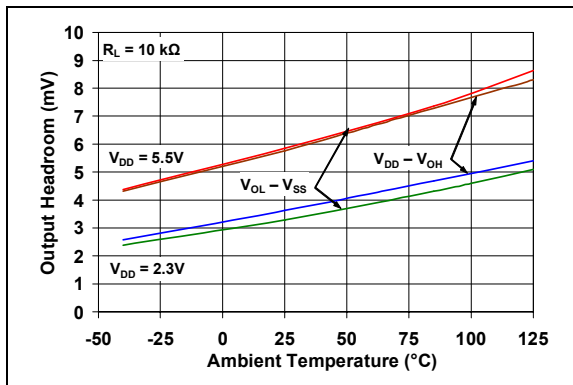
**FIGURE 2-21:** Output Short Circuit Current vs. Power Supply Voltage.



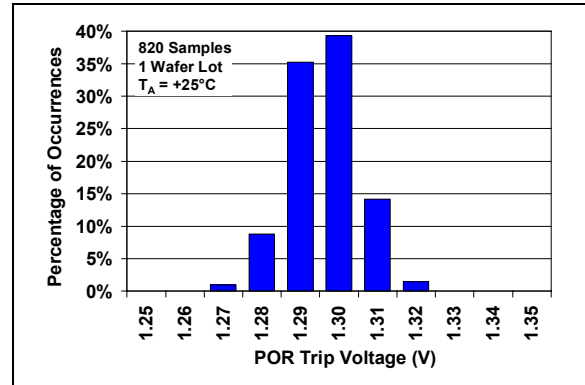
**FIGURE 2-19:** Output Voltage Headroom vs. Output Current.



**FIGURE 2-22:** Supply Current vs. Power Supply Voltage.



**FIGURE 2-20:** Output Voltage Headroom vs. Ambient Temperature.

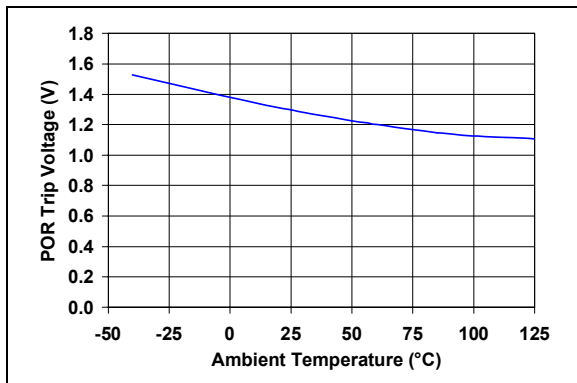


**FIGURE 2-23:** Power On Reset Trip Voltage.

# MCP6V26/7/8

---

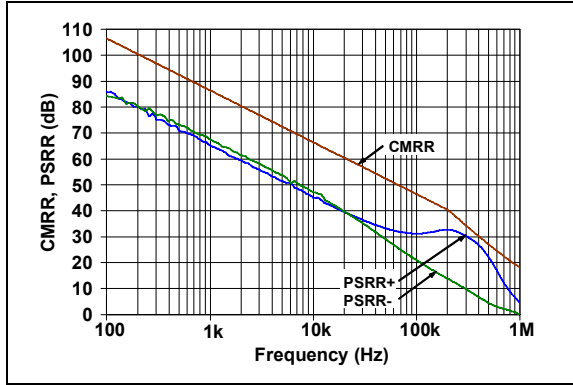
**Note:** Unless otherwise indicated,  $T_A = +25^\circ\text{C}$ ,  $V_{DD} = +2.3\text{V}$  to  $5.5\text{V}$ ,  $V_{SS} = \text{GND}$ ,  $V_{CM} = V_{DD}/3$ ,  $V_{OUT} = V_{DD}/2$ ,  $V_L = V_{DD}/2$ ,  $R_L = 10\text{ k}\Omega$  to  $V_L$ ,  $C_L = 60\text{ pF}$  and  $\overline{\text{CS}} = \text{GND}$ .



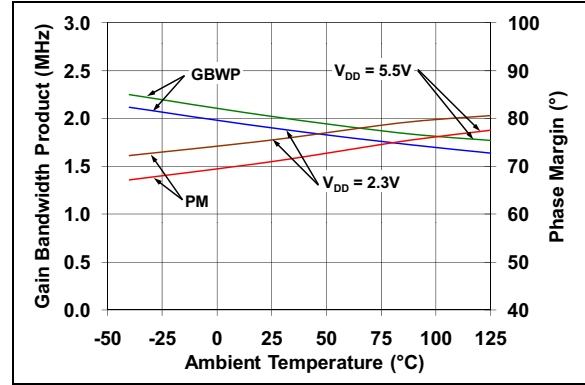
**FIGURE 2-24:** Power On Reset Voltage vs. Ambient Temperature.

**Note:** Unless otherwise indicated,  $T_A = +25^\circ\text{C}$ ,  $V_{DD} = +2.3\text{V}$  to  $5.5\text{V}$ ,  $V_{SS} = \text{GND}$ ,  $V_{CM} = V_{DD}/3$ ,  $V_{OUT} = V_{DD}/2$ ,  $V_L = V_{DD}/2$ ,  $R_L = 10\text{ k}\Omega$  to  $V_L$ ,  $C_L = 60\text{ pF}$  and  $\overline{\text{CS}} = \text{GND}$ .

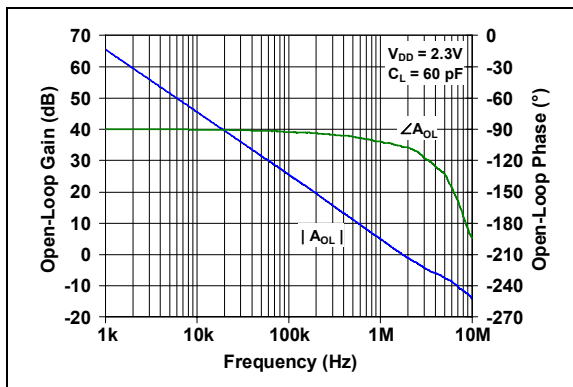
## 2.3 Frequency Response



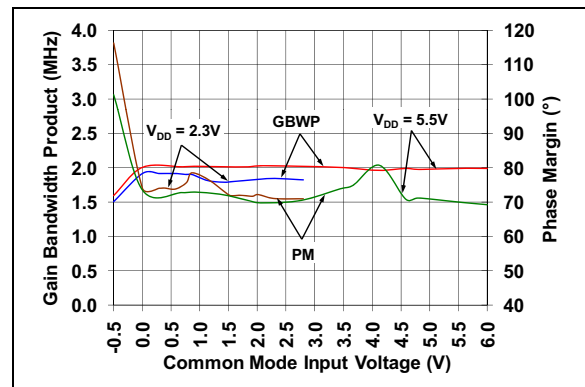
**FIGURE 2-25:** CMRR and PSRR vs. Frequency.



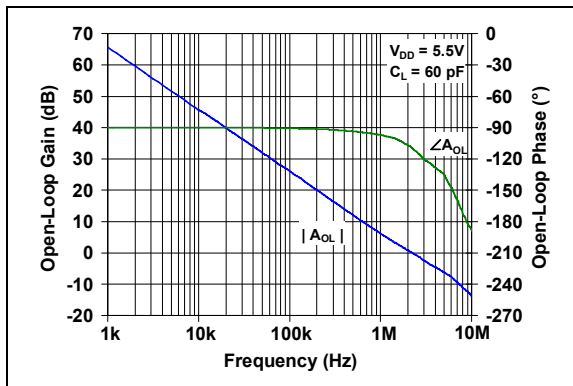
**FIGURE 2-28:** Gain Bandwidth Product and Phase Margin vs. Ambient Temperature.



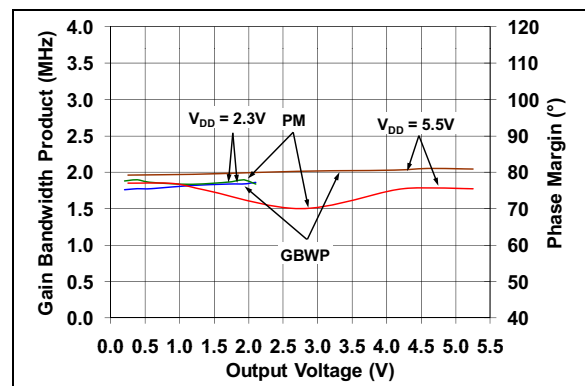
**FIGURE 2-26:** Open-Loop Gain vs. Frequency with  $V_{DD} = 2.3\text{V}$ .



**FIGURE 2-29:** Gain Bandwidth Product and Phase Margin vs. Common Mode Input Voltage.



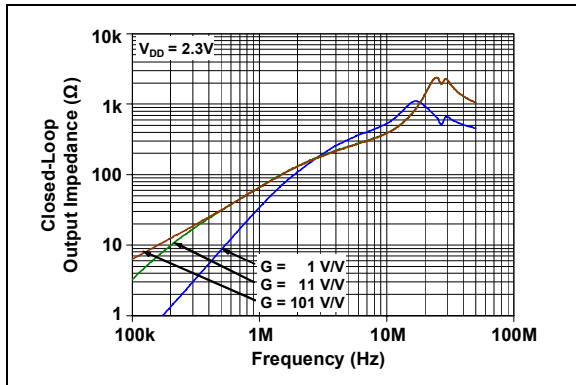
**FIGURE 2-27:** Open-Loop Gain vs. Frequency with  $V_{DD} = 5.5\text{V}$ .



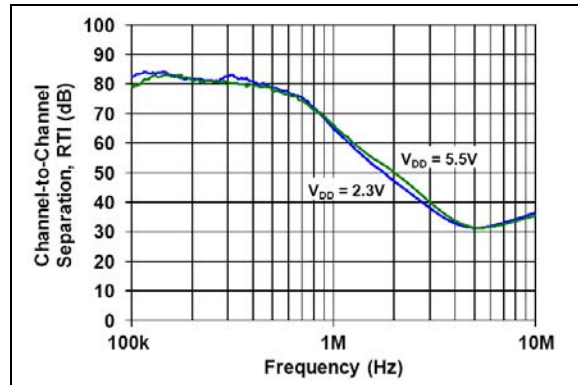
**FIGURE 2-30:** Gain Bandwidth Product and Phase Margin vs. Output Voltage.

# MCP6V26/7/8

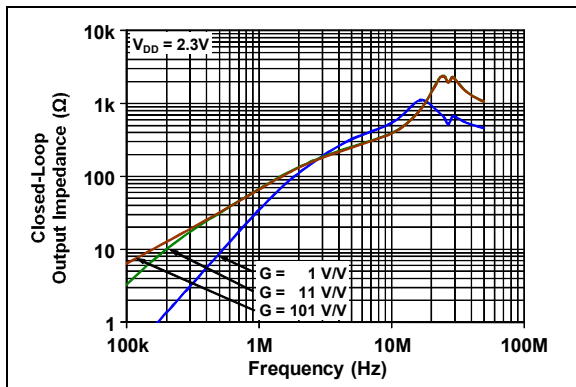
**Note:** Unless otherwise indicated,  $T_A = +25^\circ\text{C}$ ,  $V_{DD} = +2.3\text{V}$  to  $5.5\text{V}$ ,  $V_{SS} = \text{GND}$ ,  $V_{CM} = V_{DD}/3$ ,  $V_{OUT} = V_{DD}/2$ ,  $V_L = V_{DD}/2$ ,  $R_L = 10\text{ k}\Omega$  to  $V_L$ ,  $C_L = 60\text{ pF}$  and  $\overline{\text{CS}} = \text{GND}$ .



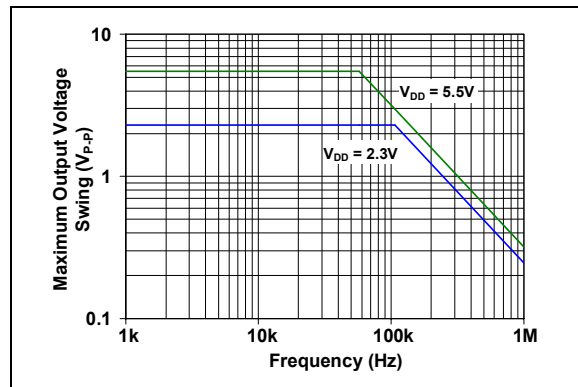
**FIGURE 2-31:** Closed-Loop Output Impedance vs. Frequency with  $V_{DD} = 2.3\text{V}$ .



**FIGURE 2-33:** Channel-to-Channel Separation vs. Frequency.



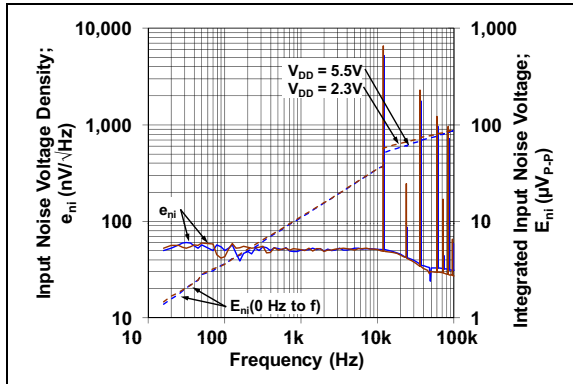
**FIGURE 2-32:** Closed-Loop Output Impedance vs. Frequency with  $V_{DD} = 5.5\text{V}$ .



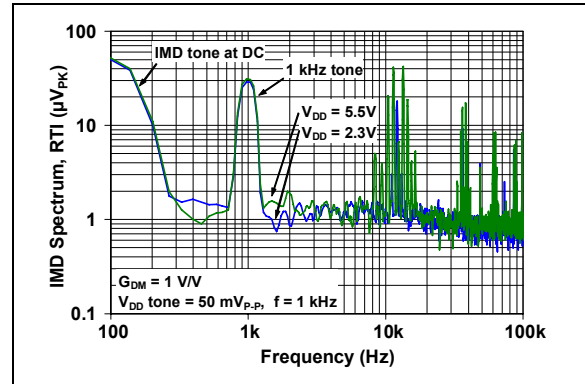
**FIGURE 2-34:** Maximum Output Voltage Swing vs. Frequency.

**Note:** Unless otherwise indicated,  $T_A = +25^\circ\text{C}$ ,  $V_{DD} = +2.3\text{V}$  to  $5.5\text{V}$ ,  $V_{SS} = \text{GND}$ ,  $V_{CM} = V_{DD}/3$ ,  $V_{OUT} = V_{DD}/2$ ,  $V_L = V_{DD}/2$ ,  $R_L = 10\text{ k}\Omega$  to  $V_L$ ,  $C_L = 60\text{ pF}$  and  $CS = \text{GND}$ .

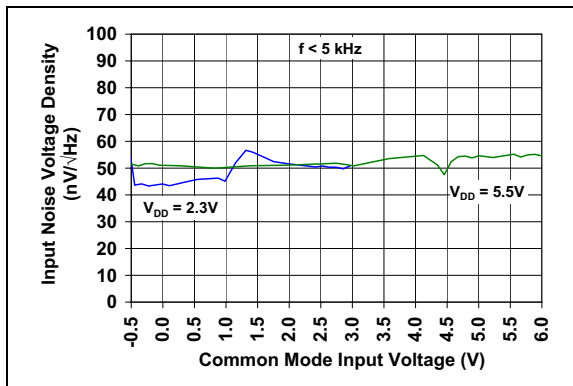
## 2.4 Input Noise and Distortion



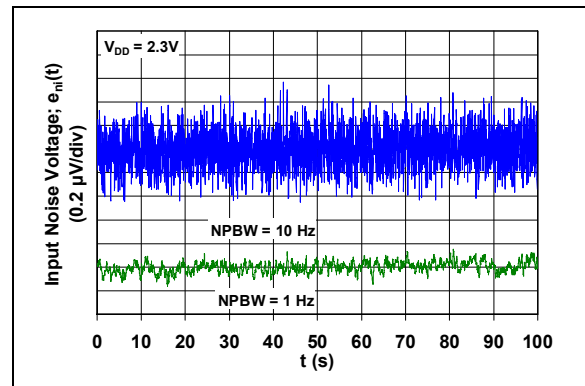
**FIGURE 2-35:** Input Noise Voltage Density and Integrated Input Noise Voltage vs. Frequency.



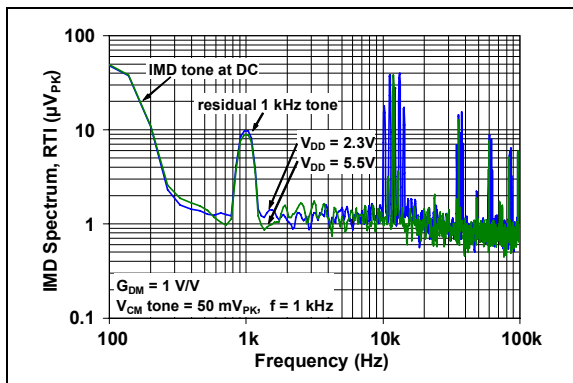
**FIGURE 2-38:** Intermodulation Distortion vs. Frequency with  $V_{DD}$  Disturbance (see Figure 1-7).



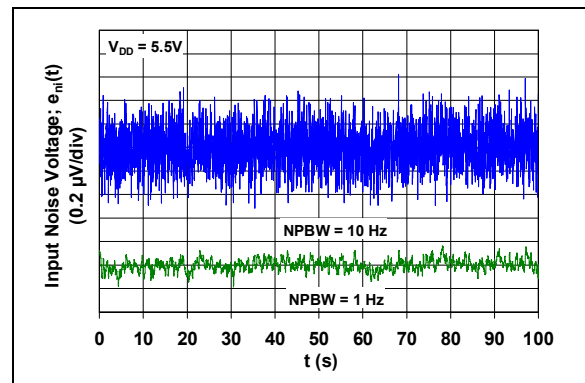
**FIGURE 2-36:** Input Noise Voltage Density vs. Input Common Mode Voltage.



**FIGURE 2-39:** Input Noise vs. Time with 1 Hz and 10 Hz Filters and  $V_{DD} = 2.3\text{V}$ .



**FIGURE 2-37:** Intermodulation Distortion vs. Frequency with  $V_{CM}$  Disturbance (see Figure 1-7).

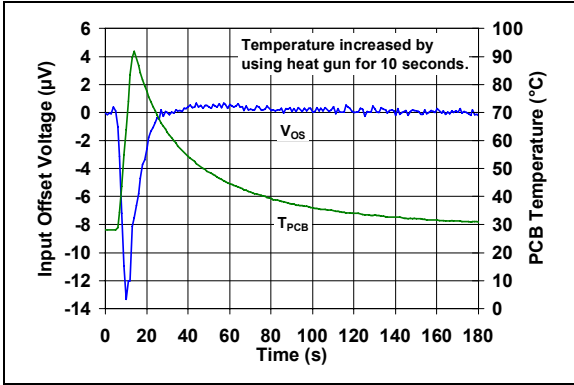


**FIGURE 2-40:** Input Noise vs. Time with 1 Hz and 10 Hz Filters and  $V_{DD} = 5.5\text{V}$ .

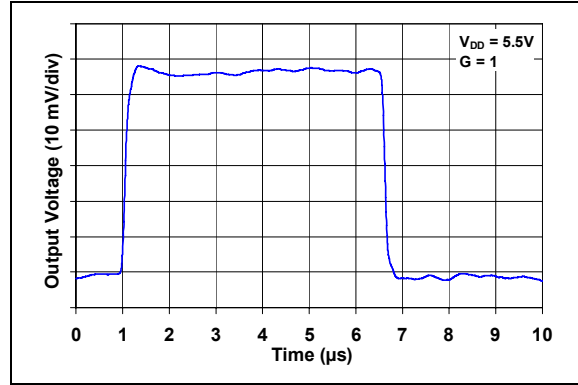
# MCP6V26/7/8

**Note:** Unless otherwise indicated,  $T_A = +25^\circ\text{C}$ ,  $V_{DD} = +2.3\text{V}$  to  $5.5\text{V}$ ,  $V_{SS} = \text{GND}$ ,  $V_{CM} = V_{DD}/3$ ,  $V_{OUT} = V_{DD}/2$ ,  $V_L = V_{DD}/2$ ,  $R_L = 10\text{ k}\Omega$  to  $V_L$ ,  $C_L = 60\text{ pF}$  and  $\overline{\text{CS}} = \text{GND}$ .

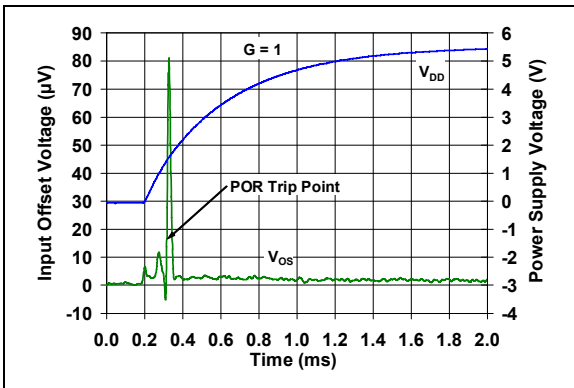
## 2.5 Time Response



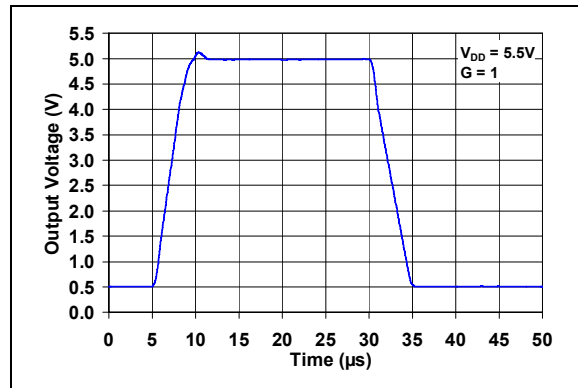
**FIGURE 2-41:** Input Offset Voltage vs. Time with Temperature Change.



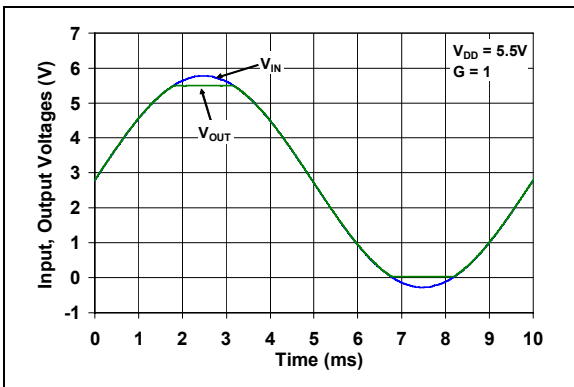
**FIGURE 2-44:** Non-inverting Small Signal Step Response.



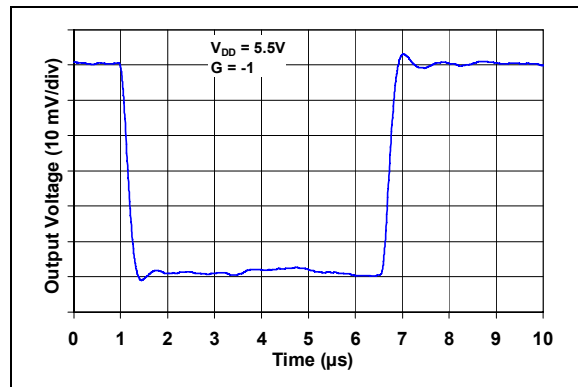
**FIGURE 2-42:** Input Offset Voltage vs. Time at Power Up.



**FIGURE 2-45:** Non-inverting Large Signal Step Response.



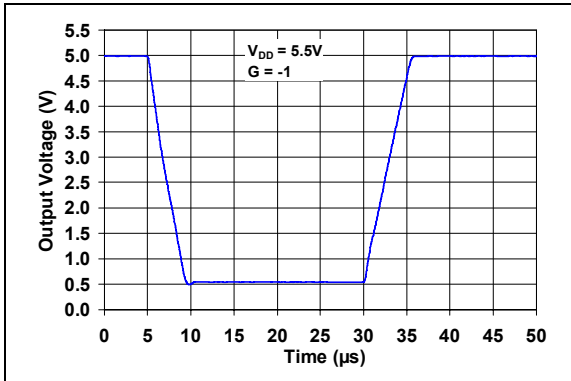
**FIGURE 2-43:** The MCP6V26/7/8 Device Shows No Input Phase Reversal with Overdrive.



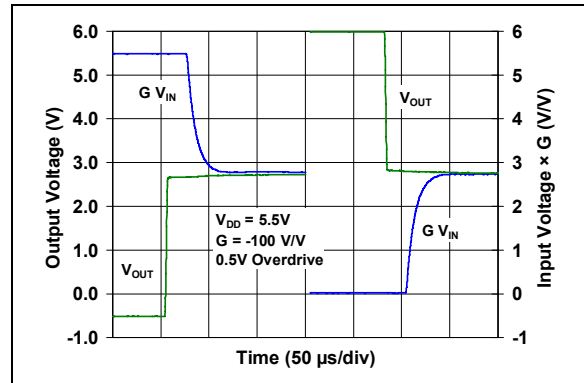
**FIGURE 2-46:** Inverting Small Signal Step Response.



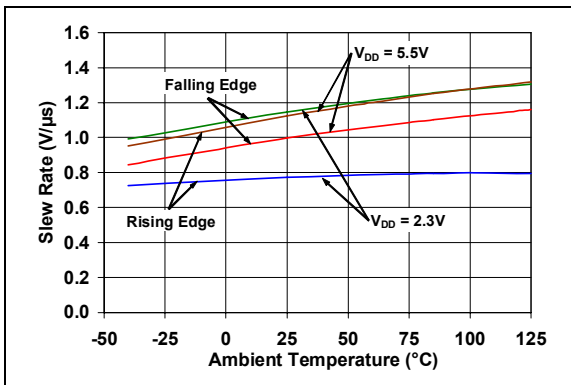
**Note:** Unless otherwise indicated,  $T_A = +25^\circ\text{C}$ ,  $V_{DD} = +2.3\text{V}$  to  $5.5\text{V}$ ,  $V_{SS} = \text{GND}$ ,  $V_{CM} = V_{DD}/3$ ,  $V_{OUT} = V_{DD}/2$ ,  $V_L = V_{DD}/2$ ,  $R_L = 10\text{ k}\Omega$  to  $V_L$ ,  $C_L = 60\text{ pF}$  and  $\overline{\text{CS}} = \text{GND}$ .



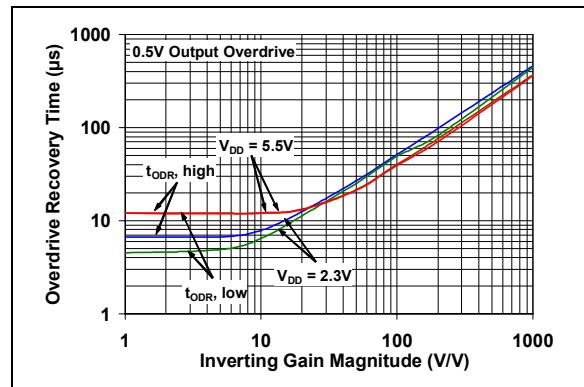
**FIGURE 2-47:** Inverting Large Signal Step Response.



**FIGURE 2-49:** Output Overdrive Recovery vs. Time with  $G = -100\text{ V/V}$ .



**FIGURE 2-48:** Slew Rate vs. Ambient Temperature.

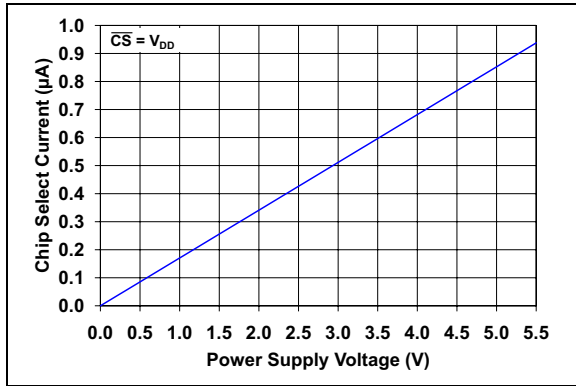


**FIGURE 2-50:** Output Overdrive Recovery Time vs. Inverting Gain.

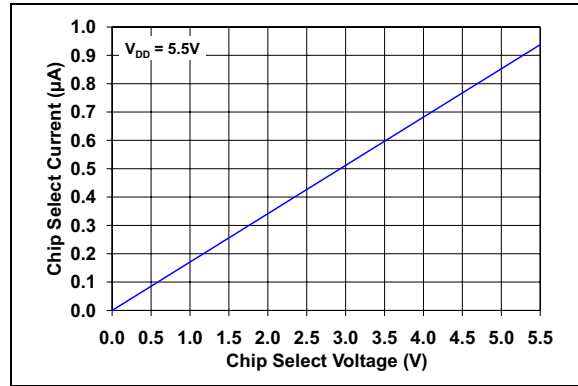
# MCP6V26/7/8

**Note:** Unless otherwise indicated,  $T_A = +25^\circ\text{C}$ ,  $V_{DD} = +2.3\text{V}$  to  $5.5\text{V}$ ,  $V_{SS} = \text{GND}$ ,  $V_{CM} = V_{DD}/3$ ,  $V_{OUT} = V_{DD}/2$ ,  $V_L = V_{DD}/2$ ,  $R_L = 10\text{ k}\Omega$  to  $V_L$ ,  $C_L = 60\text{ pF}$ , and  $\overline{\text{CS}} = \text{GND}$ .

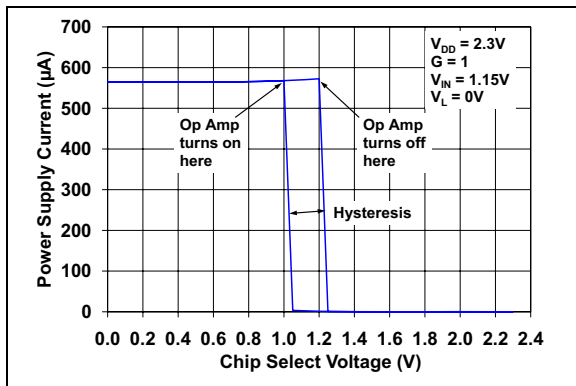
## 2.6 Chip Select Response (MCP6V28 only)



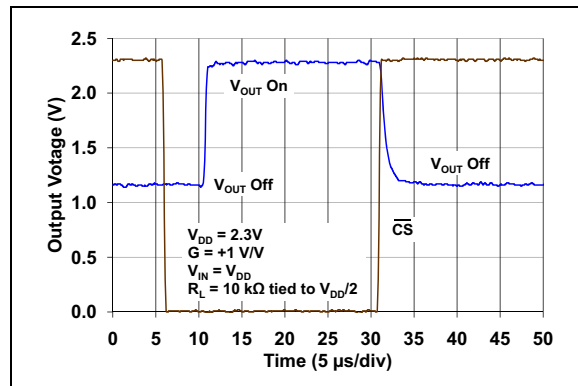
**FIGURE 2-51:** Chip Select Current vs. Power Supply Voltage.



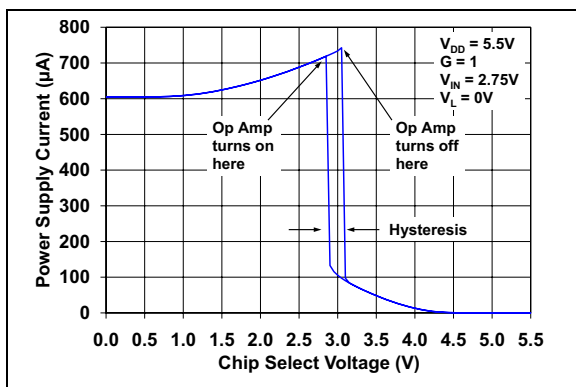
**FIGURE 2-54:** Chip Select Current vs. Chip Select Voltage.



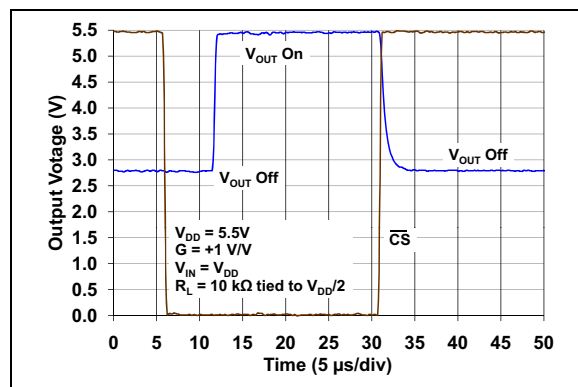
**FIGURE 2-52:** Power Supply Current vs. Chip Select Voltage with  $V_{DD} = 2.3\text{V}$ .



**FIGURE 2-55:** Chip Select Voltage, Output Voltage vs. Time with  $V_{DD} = 2.3\text{V}$ .

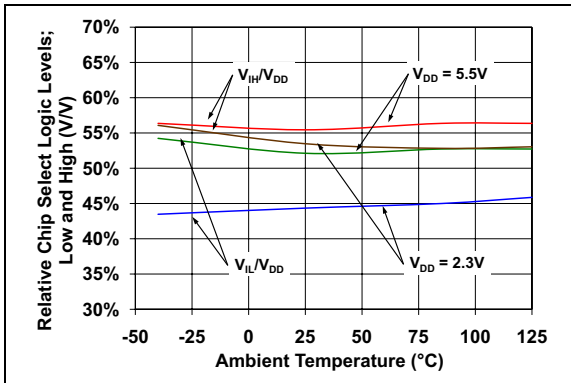


**FIGURE 2-53:** Power Supply Current vs. Chip Select Voltage with  $V_{DD} = 5.5\text{V}$ .

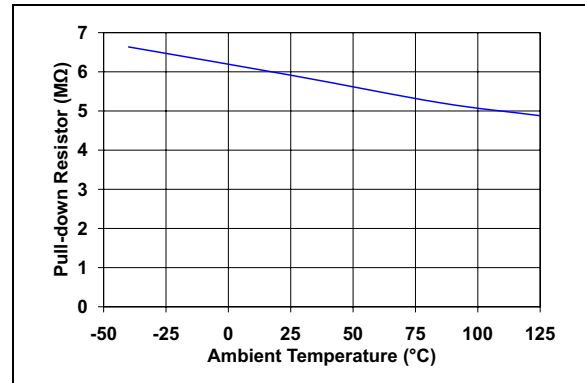


**FIGURE 2-56:** Chip Select Voltage, Output Voltage vs. Time with  $V_{DD} = 5.5\text{V}$ .

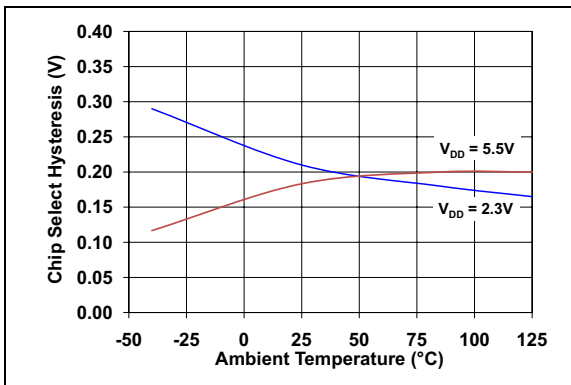
**Note:** Unless otherwise indicated,  $T_A = +25^\circ\text{C}$ ,  $V_{DD} = +2.3\text{V}$  to  $5.5\text{V}$ ,  $V_{SS} = \text{GND}$ ,  $V_{CM} = V_{DD}/3$ ,  $V_{OUT} = V_{DD}/2$ ,  $V_L = V_{DD}/2$ ,  $R_L = 10\text{ k}\Omega$  to  $V_L$ ,  $C_L = 60\text{ pF}$ , and  $\overline{\text{CS}} = \text{GND}$ .



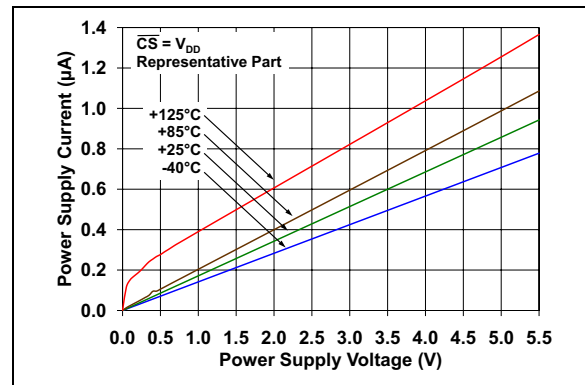
**FIGURE 2-57:** Chip Select Relative Logic Thresholds vs. Ambient Temperature.



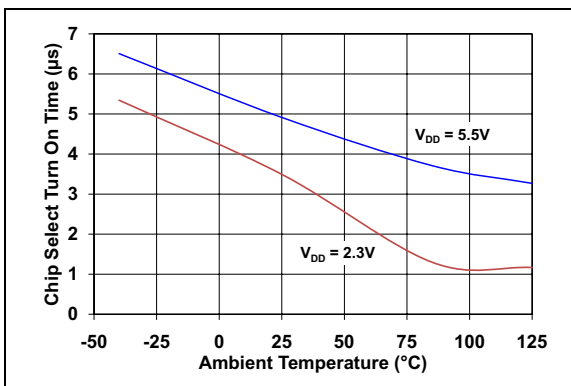
**FIGURE 2-60:** Chip Select's Pull-down Resistor ( $R_{PD}$ ) vs. Ambient Temperature.



**FIGURE 2-58:** Chip Select Hysteresis.



**FIGURE 2-61:** Quiescent Current in Shutdown vs. Power Supply Voltage.



**FIGURE 2-59:** Chip Select Turn On Time vs. Ambient Temperature.

# MCP6V26/7/8

## 3.0 PIN DESCRIPTIONS

Descriptions of the pins are listed in [Table 3-1](#).

**TABLE 3-1: PIN FUNCTION TABLE**

MCP6V26		MCP6V27		MCP6V28		Symbol	Description
TDFN	MSOP, SOIC	DFN	MSOP, SOIC	TDFN	MSOP, SOIC		
6	6	1	1	6	6	$V_{OUT}, V_{OUTA}$	Output (op amp A)
2	2	2	2	2	2	$V_{IN-}, V_{INA-}$	Inverting Input (op amp A)
3	3	3	3	3	3	$V_{IN+}, V_{INA+}$	Non-inverting Input (op amp A)
4	4	4	4	4	4	$V_{SS}$	Negative Power Supply
—	—	5	5	—	—	$V_{INB+}$	Non-inverting Input (op amp B)
—	—	6	6	—	—	$V_{INB-}$	Inverting Input (op amp B)
—	—	7	7	—	—	$V_{OUTB}$	Output (op amp B)
7	7	8	8	7	7	$V_{DD}$	Positive Power Supply
—	—	—	—	8	8	$\overline{CS}$	Chip Select (op amp A)
1, 5, 8	1, 5, 8	—	—	1, 5	1, 5	NC	No Internal Connection
9	—	9	—	9	—	EP	Exposed Thermal Pad (EP); must be connected to $V_{SS}$

### 3.1 Analog Outputs

The analog output pins ( $V_{OUT}$ ) are low-impedance voltage sources.

### 3.2 Analog Inputs

The non-inverting and inverting inputs ( $V_{IN+}$ ,  $V_{IN-}$ , ...) are high-impedance CMOS inputs with low bias currents.

### 3.3 Power Supply Pins

The positive power supply ( $V_{DD}$ ) is 2.3V to 5.5V higher than the negative power supply ( $V_{SS}$ ). For normal operation, the other pins are between  $V_{SS}$  and  $V_{DD}$ .

Typically, these parts are used in a single (positive) supply configuration. In this case,  $V_{SS}$  is connected to ground and  $V_{DD}$  is connected to the supply.  $V_{DD}$  will need bypass capacitors.

### 3.4 Chip Select ( $\overline{CS}$ ) Digital Input

This pin ( $\overline{CS}$ ) is a CMOS, Schmitt-triggered input that places the MCP6V28 op amp into a low power mode of operation.

### 3.5 Exposed Thermal Pad (EP)

There is an internal connection between the Exposed Thermal Pad (EP) and the  $V_{SS}$  pin; they must be connected to the same potential on the Printed Circuit Board (PCB).

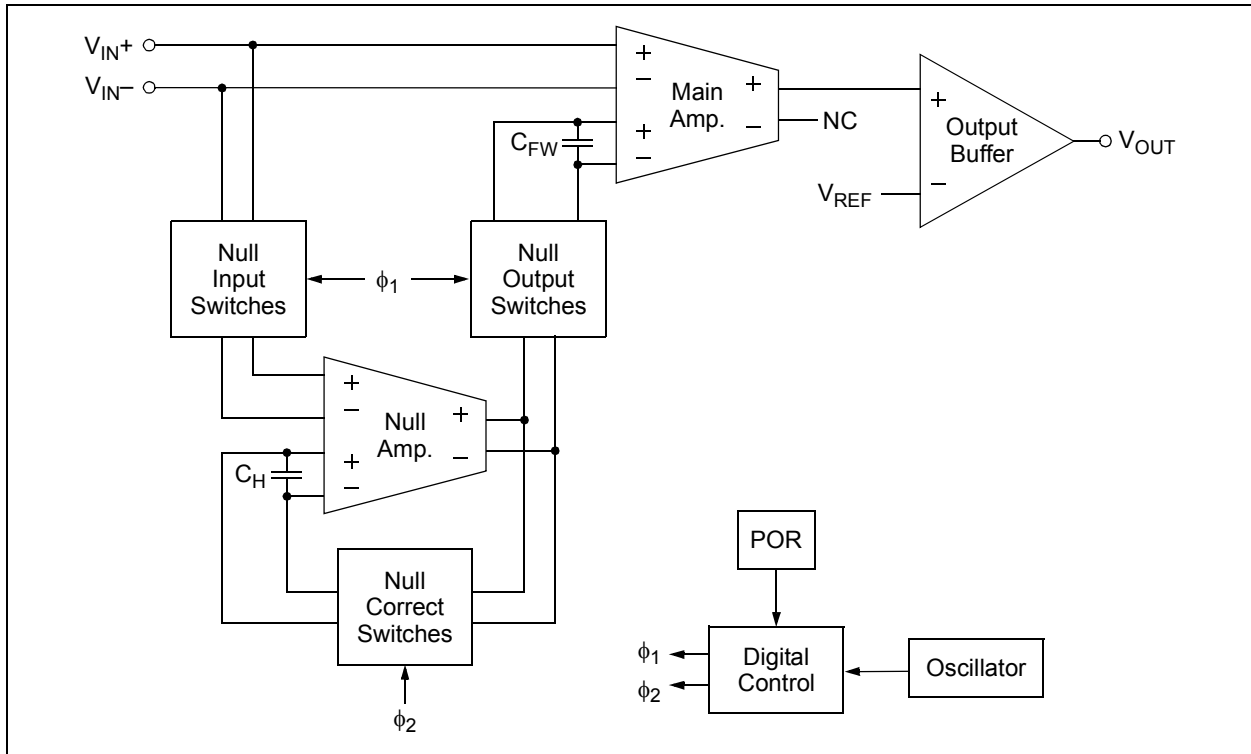
This pad can be connected to a PCB ground plane to provide a larger heat sink. This improves the package thermal resistance ( $\theta_{JA}$ ).

## 4.0 APPLICATIONS

The MCP6V26/7/8 family of auto-zeroed op amps are manufactured using Microchip's state-of-the-art CMOS process. This family is designed for low cost, low power and high precision applications. Its low supply voltage, low quiescent current and wide bandwidth make the MCP6V26/7/8 devices ideal for battery-powered applications.

## 4.1 Overview of Auto-Zeroing Operation

Figure 4-1 shows a simplified diagram of the MCP6V26/7/8 auto-zeroed op amps. This will be used to explain how the DC voltage errors are reduced in this architecture.



**FIGURE 4-1:** Simplified Auto-Zeroed Op Amp Functional Diagram.

### 4.1.1 BUILDING BLOCKS

The Null Amplifier and Main Amplifier are designed for high gain and accuracy using a differential topology. They have a main input pair (+ and - pins at their top left) used for the signal. They have an auxiliary input pair (+ and - pins at their bottom left) used for correcting the offset voltages. Both input pairs are added together internally. The capacitors at the auxiliary inputs ( $C_{FW}$  and  $C_H$ ) hold the corrected values during normal operation.

The Output Buffer is designed to drive external loads at the  $V_{OUT}$  pin. It also produces a single-ended output voltage ( $V_{REF}$  is an internal reference voltage).

All of these switches are make-before-break in order to minimize glitch-induced errors. They are driven by two clock phases ( $\phi_1$  and  $\phi_2$ ) that select between normal mode and auto-zeroing mode.

The clock is derived from an internal R-C oscillator running at a rate of  $f_{OSC1} = 850$  kHz. The oscillator's output is divided down to the desired rate.

The internal POR ensures the part starts up in a known good state. It also provides protection against power supply brown-out events.

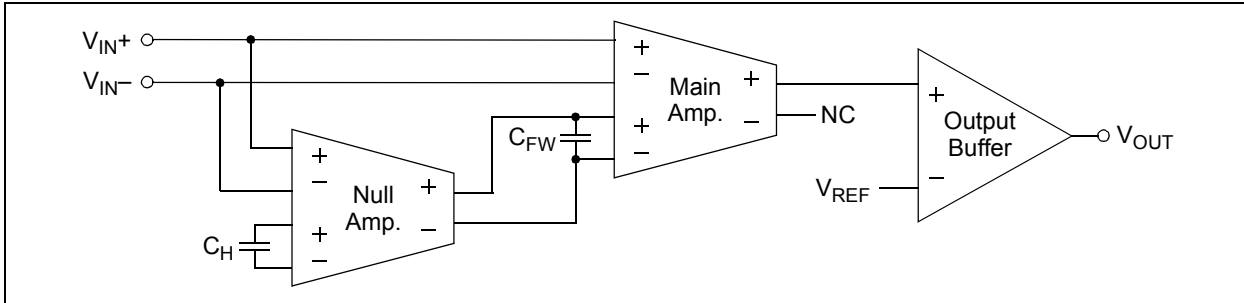
The Digital Control circuitry takes care of all of the housekeeping details of the switching operation. It also takes care of POR events.

# MCP6V26/7/8

## 4.1.2 AUTO-ZEROING ACTION

Figure 4-2 shows the connections between amplifiers during the Normal Mode of operation ( $\phi_1$ ). The hold capacitor ( $C_H$ ) corrects the Null Amplifier's input offset. Since the Null Amplifier has very high gain, it dominates the signal seen by the Main Amplifier. This greatly reduces the impact of the Main Amplifier's input

offset voltage on overall performance. Essentially, the Null Amplifier and Main Amplifier behave as a regular op amp with very high gain ( $A_{OL}$ ) and very low offset voltage ( $V_{OS}$ ).

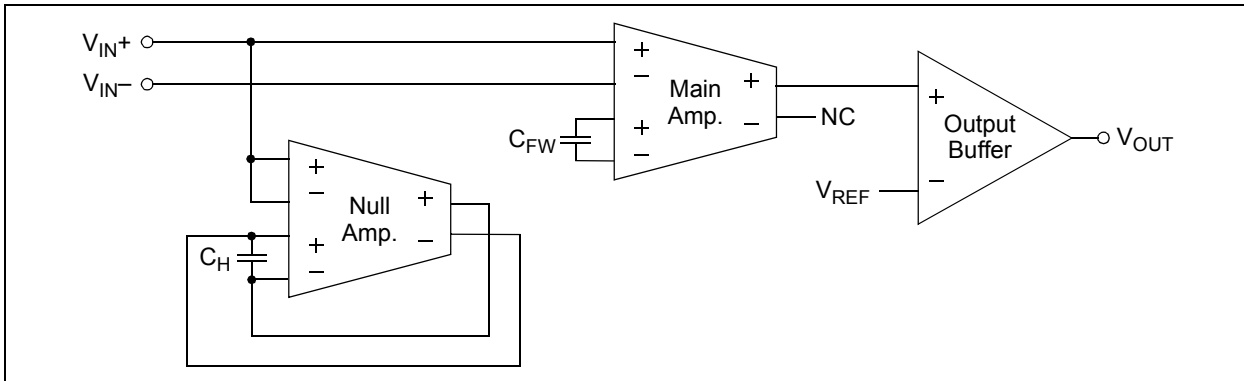


**FIGURE 4-2:** Normal Mode of Operation ( $\phi_1$ ); Equivalent Amplifier Diagram.

Figure 4-3 shows the connections between amplifiers during the Auto-zeroing Mode of operation ( $\phi_2$ ). The signal goes directly through the Main Amplifier, and the flywheel capacitor ( $C_{FW}$ ) maintains a constant correction on the Main Amplifier's offset.

Since these corrections happen every 40  $\mu$ s, or so, we also minimize slow errors, including offset drift with temperature ( $\Delta V_{OS}/\Delta T_A$ ), 1/f noise, and input offset aging.

The Null Amplifier uses its own high open loop gain to drive the voltage across  $C_H$  to the point where its input offset voltage is almost zero. Because the signal input pair is connected to  $V_{IN+}$ , the auto-zeroing action corrects the offset at the current common mode input voltage ( $V_{CM}$ ) and supply voltage ( $V_{DD}$ ). This makes the DC CMRR and PSRR very high also.



**FIGURE 4-3:** Auto-zeroing Mode of Operation ( $\phi_2$ ); Equivalent Diagram.

## 4.1.3 INTERMODULATION DISTORTION (IMD)

The MCP6V26/7/8 op amps will show intermodulation distortion (IMD), products when an AC signal is present.

The signal and clock can be decomposed into sine wave tones (Fourier series components). These tones interact with the auto-zeroing circuitry's non-linear response to produce IMD tones at sum and difference

frequencies. Each of the square wave clock's harmonics has a series of IMD tones centered on it. See Figure 2-37 and Figure 2-38.

## 4.2 Other Functional Blocks

### 4.2.1 RAIL-TO-RAIL INPUTS

The input stage of the MCP6V26/7/8 op amps use two differential CMOS input stages in parallel. One operates at low common mode input voltage ( $V_{CM}$ , which is approximately equal to  $V_{IN+}$  and  $V_{IN-}$  in normal operation) and the other at high  $V_{CM}$ . With this topology, the input operates with  $V_{CM}$  up to  $V_{DD} + 0.2V$ , and down to  $V_{SS} - 0.15V$ , at  $+25^{\circ}C$  (see Figure 2-18). The input offset voltage ( $V_{OS}$ ) is measured at  $V_{CM} = V_{SS} - 0.15V$  and  $V_{DD} + 0.2V$  to ensure proper operation.

The transition between the input stages occurs when  $V_{CM} \approx V_{DD} - 1.2V$  (see Figure 2-7 and Figure 2-8). For the best distortion and gain linearity, with non-inverting gains, avoid this region of operation.

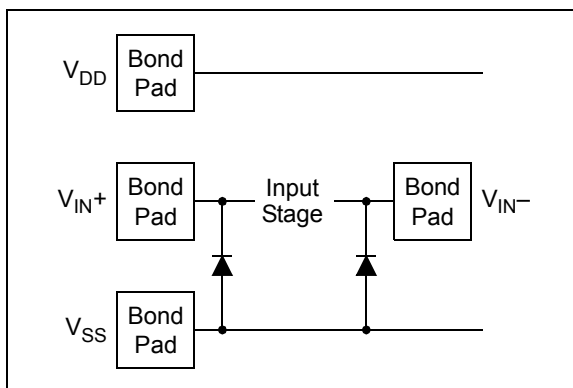
#### 4.2.1.1 Phase Reversal

The input devices are designed to not exhibit phase inversion when the input pins exceed the supply voltages. Figure 2-43 shows an input voltage exceeding both supplies with no phase inversion.

#### 4.2.1.2 Input Voltage Limits

In order to prevent damage and/or improper operation of these amplifiers, the circuit must limit the voltages at the input pins (see Section 1.1, Absolute Maximum Ratings †). This requirement is independent of the current limits discussed later on.

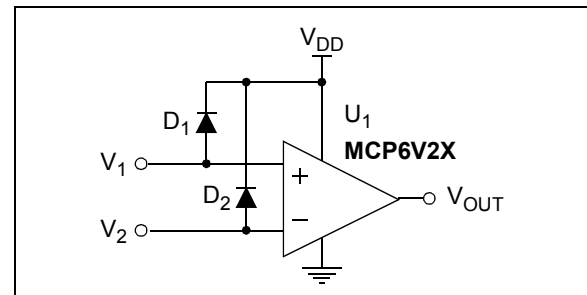
The ESD protection on the inputs can be depicted as shown in Figure 4-4. This structure was chosen to protect the input transistors against many (but not all) over-voltage conditions, and to minimize input bias current ( $I_B$ ).



**FIGURE 4-4:** Simplified Analog Input ESD Structures.

The input ESD diodes clamp the inputs when they try to go more than one diode drop below  $V_{SS}$ . They also clamp any voltages that are well above  $V_{DD}$ ; their breakdown voltage is high enough to allow normal operation, but not low enough to protect against slow over-voltage (beyond  $V_{DD}$ ) events. Very fast ESD events (that meet the spec) are limited so that damage does not occur.

In some applications, it may be necessary to prevent excessive voltages from reaching the op amp inputs; Figure 4-5 shows one approach to protecting these inputs.  $D_1$  and  $D_2$  may be small signal silicon diodes, Schottky diodes for lower clamping voltages or diode-connected FETs for low leakage.

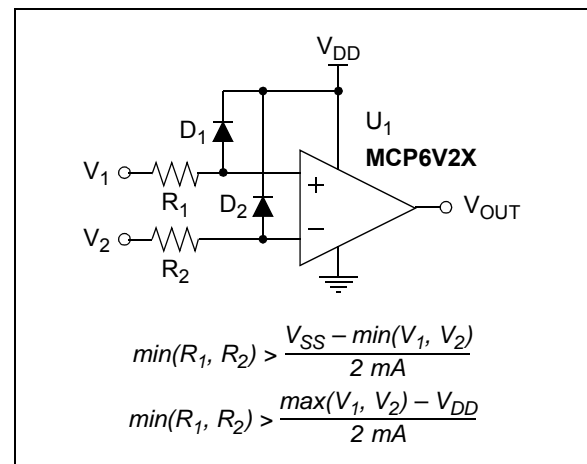


**FIGURE 4-5:** Protecting the Analog Inputs Against High Voltages.

#### 4.2.1.3 Input Current Limits

In order to prevent damage and/or improper operation of these amplifiers, the circuit must limit the currents into the input pins (see Section 1.1, Absolute Maximum Ratings †). This requirement is independent of the voltage limits previously discussed.

Figure 4-6 shows one approach to protecting these inputs. The resistors  $R_1$  and  $R_2$  limit the possible current in or out of the input pins (and into  $D_1$  and  $D_2$ ). The diode currents will dump onto  $V_{DD}$ .



**FIGURE 4-6:** Protecting the Analog Inputs Against High Currents.

# MCP6V26/7/8

It is also possible to connect the diodes to the left of resistors  $R_1$  and  $R_2$ . In this case, the currents through diodes  $D_1$  and  $D_2$  need to be limited by some other mechanism. The resistors then serve as in-rush current limiters; the DC current into the input pins ( $V_{IN+}$  and  $V_{IN-}$ ) should be very small.

A significant amount of current can flow out of the inputs (through the ESD diodes) when the common mode voltage ( $V_{CM}$ ) is below ground ( $V_{SS}$ ); see [Figure 2-17](#).

## 4.2.2 RAIL-TO-RAIL OUTPUT

The output voltage range of the MCP6V26/7/8 zero-drift op amps is  $V_{DD} - 15\text{ mV}$  (minimum) and  $V_{SS} + 15\text{ mV}$  (maximum) when  $R_L = 10\text{ k}\Omega$  is connected to  $V_{DD}/2$  and  $V_{DD} = 5.5\text{ V}$ . Refer to [Figure 2-19](#) and [Figure 2-20](#).

This op amp is designed to drive light loads; use another amplifier to buffer the output from heavy loads.

## 4.2.3 CHIP SELECT ( $\overline{CS}$ )

The single MCP6V28 has a Chip Select ( $\overline{CS}$ ) pin. When  $\overline{CS}$  is pulled high, the supply current for the corresponding op amp drops to about  $1\text{ }\mu\text{A}$  (typical), and is pulled through the  $\overline{CS}$  pin to  $V_{SS}$ . When this happens, the amplifier is put into a high impedance state. By pulling  $\overline{CS}$  low, the amplifier is enabled. If the  $\overline{CS}$  pin is left floating, the internal pull-down resistor (about  $5\text{ M}\Omega$ ) will keep the part on. [Figure 1-4](#) shows the output voltage and supply current response to a  $\overline{CS}$  pulse.

## 4.3 Application Tips

### 4.3.1 INPUT OFFSET VOLTAGE OVER TEMPERATURE

[Table 1-1](#) gives both the linear and quadratic temperature coefficients ( $TC_1$  and  $TC_2$ ) of input offset voltage. The input offset voltage, at any temperature in the specified range, can be calculated as follows:

#### EQUATION 4-1:

$$V_{OS}(T_A) = V_{OS} + TC_1\Delta T + TC_2\Delta T^2$$

Where:

$\Delta T$	=	$T_A - 25^\circ\text{C}$
$V_{OS}(T_A)$	=	input offset voltage at $T_A$
$V_{OS}$	=	input offset voltage at $+25^\circ\text{C}$
$TC_1$	=	linear temperature coefficient
$TC_2$	=	quadratic temperature coefficient

### 4.3.2 DC GAIN PLOTS

[Figure 2-9](#), [Figure 2-10](#) and [Figure 2-11](#) are histograms of the reciprocals (in units of  $\mu\text{V/V}$ ) of CMRR, PSRR and  $A_{OL}$ , respectively. They represent the change in input offset voltage ( $V_{OS}$ ) with a change in common mode input voltage ( $V_{CM}$ ), power supply voltage ( $V_{DD}$ ) and output voltage ( $V_{OUT}$ ).

The  $1/A_{OL}$  histogram is centered near  $0\text{ }\mu\text{V/V}$  because the measurements are dominated by the op amp's input noise. The negative values shown represent noise, *not* unstable behavior. We validate the op amps' stability by making multiple measurements of  $V_{OS}$ ; an unstable part would fail, because it would show either greater variability in  $V_{OS}$ , or the output stuck at one of the rails.

### 4.3.3 OFFSET AT POWER UP

When these parts power up, the input offset ( $V_{OS}$ ) starts at its uncorrected value (usually less than  $\pm 5\text{ mV}$ ). Circuits with high DC gain can cause the output to reach one of the two rails. In this case, the time to a valid output is delayed by an output overdrive time (like  $t_{ODR}$ ), in addition to the startup time (like  $t_{STR}$ ).

It can be simple to avoid this extra startup time. Reducing the gain is one method. Adding a capacitor across the feedback resistor ( $R_F$ ) is another method.

### 4.3.4 SOURCE RESISTANCES

The input bias currents have two significant components; switching glitches that dominate at room temperature and below, and input ESD diode leakage currents that dominate at  $+85^\circ\text{C}$  and above.

Make the resistances seen by the inputs small and equal. This minimizes the output offset caused by the input bias currents.

The inputs should see a resistance on the order of  $10\text{ }\Omega$  to  $1\text{ k}\Omega$  at high frequencies (i.e., above  $1\text{ MHz}$ ). This helps minimize the impact of switching glitches, which are very fast, on overall performance. In some cases, it may be necessary to add resistors in series with the inputs to achieve this improvement in performance.

Small input resistances are needed for high gains. Without them, parasitic capacitances can cause positive feedback and instability.

### 4.3.5 SOURCE CAPACITANCE

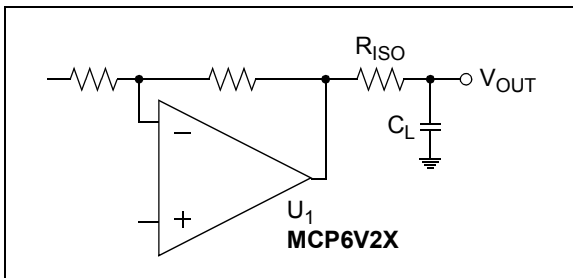
The capacitances seen by the two inputs should be small and matched. The internal switches connected to the inputs dump charges on these capacitors; an offset can be created if the capacitances do not match. Large input capacitances and source resistances, together with high gain, can lead to positive feedback and instability.



## 4.3.6 CAPACITIVE LOADS

Driving large capacitive loads can cause stability problems for voltage feedback op amps. As the load capacitance increases, the feedback loop's phase margin decreases and the closed-loop bandwidth is reduced. This produces gain peaking in the frequency response, with overshoot and ringing in the step response. These auto-zeroed op amps have a different output impedance than most op amps, due to their unique topology.

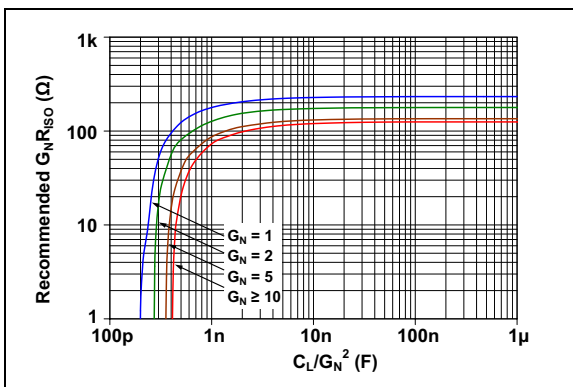
When driving a capacitive load with these op amps, a series resistor at the output ( $R_{ISO}$  in Figure 4-7) improves the feedback loop's phase margin (stability) by making the output load resistive at higher frequencies. The bandwidth will be generally lower than the bandwidth with no capacitive load.



**FIGURE 4-7:** Output Resistor,  $R_{ISO}$ , Stabilizes Capacitive Loads.

Figure 4-8 gives recommended  $R_{ISO}$  values for different capacitive loads and gains. The x-axis is the normalized load capacitance ( $C_L/G_N^2$ ). The y-axis is the normalized resistance ( $G_N R_{ISO}$ ).

$G_N$  is the circuit's noise gain. For non-inverting gains,  $G_N$  and the Signal Gain are equal. For inverting gains,  $G_N$  is  $1+|\text{Signal Gain}|$  (e.g.,  $-1$  V/V gives  $G_N = +2$  V/V).



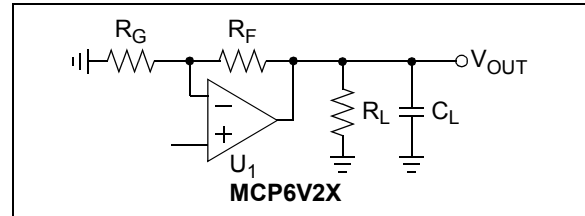
**FIGURE 4-8:** Recommended  $R_{ISO}$  values for Capacitive Loads.

After selecting  $R_{ISO}$  for your circuit, double check the resulting frequency response peaking and step response overshoot. Modify  $R_{ISO}$ 's value until the response is reasonable. Bench evaluation and simulations with the MCP6V26/7/8 SPICE macro model are helpful.

## 4.3.7 STABILIZING OUTPUT LOADS

This family of auto-zeroed op amps has an output impedance (Figure 2-31 and Figure 2-32) that has a double zero when the gain is low. This can cause a large phase shift in feedback networks that have low resistance near the part's bandwidth. This large phase shift can cause stability problems.

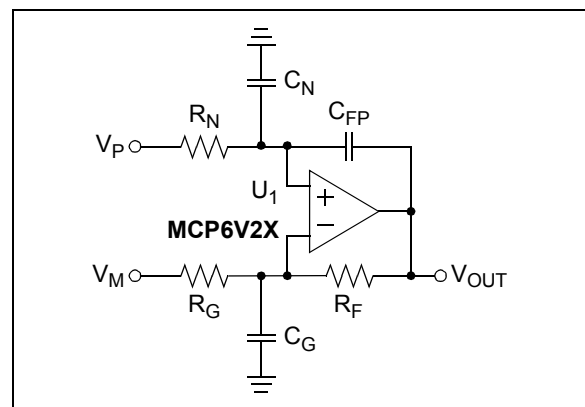
Figure 4-9 shows that the load on the output is  $(R_L + R_{ISO}) || (R_F + R_G)$ , where  $R_{ISO}$  is before the load (like Figure 4-7). This load needs to be large enough to maintain stability; it should be at least  $(2 \text{ k}\Omega)/G_N$ .



**FIGURE 4-9:** Output Load.

## 4.3.8 GAIN PEAKING

Figure 4-10 shows an op amp circuit that represents non-inverting amplifiers ( $V_M$  is a DC voltage and  $V_P$  is the input) or inverting amplifiers ( $V_P$  is a DC voltage and  $V_M$  is the input). The capacitances  $C_N$  and  $C_G$  represent the total capacitance at the input pins; they include the op amp's common mode input capacitance ( $C_{CM}$ ), board parasitic capacitance and any capacitor placed in parallel. The capacitance  $C_{FP}$  represents the parasitic capacitance coupling the output and non-inverting input pins.



**FIGURE 4-10:** Amplifier with Parasitic Capacitance.

$C_G$  acts in parallel with  $R_G$  (except for a gain of  $+1$  V/V), which causes an increase in gain at high frequencies.  $C_G$  also reduces the phase margin of the feedback loop, which becomes less stable. This effect can be reduced by either reducing  $C_G$  or  $R_F || R_G$ .

$C_N$  and  $R_N$  form a low-pass filter that affects the signal at  $V_P$ . This filter has a single real pole at  $1/(2\pi R_N C_N)$ .

# MCP6V26/7/8

The largest value of  $R_F$  that should be used depends on noise gain (see  $G_N$  in [Section 4.3.6, Capacitive Loads](#)),  $C_G$  and the open-loop gain's phase shift. An approximate limit for  $R_F$  is:

## EQUATION 4-2:

$$R_F \leq 2 \text{ k}\Omega \times \frac{12 \text{ pF}}{C_G} \times G_N^2$$

Some applications may modify these values to reduce either output loading or gain peaking (step response overshoot).

At high gains,  $R_G$  and  $C_G$  need to be small in order to prevent positive feedback and oscillations.

### 4.3.9 REDUCING UNDESIRE D NOISE AND SIGNALS

Reduce undesired noise and signals with:

- Low bandwidth signal filters:
  - Minimizes random analog noise
  - Reduces interfering signals
- Good PCB layout techniques:
  - Minimizes crosstalk
  - Minimizes parasitic capacitances and inductances that interact with fast switching edges
- Good power supply design:
  - Provides isolation from other parts
  - Filters interference on supply line(s)

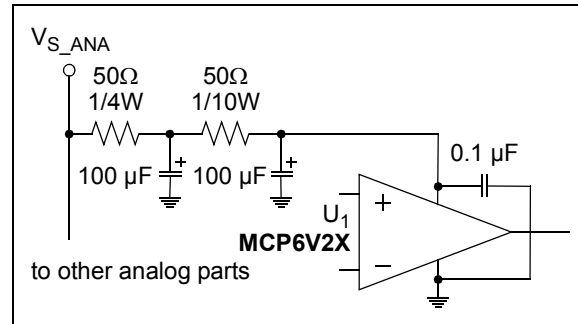
### 4.3.10 SUPPLY BYPASSING AND FILTERING

With this family of op amps, the power supply pin ( $V_{DD}$  for single supply) should have a local bypass capacitor (i.e., 0.01  $\mu\text{F}$  to 0.1  $\mu\text{F}$ ) within 2 mm of the pin for good high-frequency performance.

These parts also need a bulk capacitor (i.e., 1  $\mu\text{F}$  or larger) within 100 mm to provide large, slow currents. This bulk capacitor can be shared with other low noise, analog parts.

In some cases, high-frequency power supply noise (e.g., switched mode power supplies) may cause undue intermodulation distortion, with a DC offset shift; this noise needs to be filtered. Adding a resistor into the supply connection can be helpful. This resistor needs to be small enough to prevent a large drop in  $V_{DD}$  for the op amp, which would cause a reduced output range and possible load-induced power supply noise. It also needs to be large enough to dissipate little power when  $V_{DD}$  is turned on and off quickly. [Figure 4-11](#) shows a circuit with resistors in the supply connections. It gives good rejection out to 1 MHz for switched mode power

supplies. Smaller resistors and capacitors are a better choice for designs where the power supply is not as noisy.



**FIGURE 4-11:** Additional Supply Filtering.

### 4.3.11 PCB DESIGN FOR DC PRECISION

In order to achieve DC precision on the order of  $\pm 1 \mu\text{V}$ , many physical errors need to be minimized. The design of the Printed Circuit Board (PCB), the wiring and the thermal environment has a strong impact on the precision achieved. A poor PCB design can easily be more than 100 times worse than the MCP6V26/7/8 op amps minimum and maximum specifications.

#### 4.3.11.1 PCB Layout

Any time two dissimilar metals are joined together, a temperature dependent voltage appears across the junction (the Seebeck or thermo-junction effect). This effect is used in thermocouples to measure temperature. The following are examples of thermo-junctions on a PCB:

- Components (resistors, op amps, ...) soldered to a copper pad
- Wires mechanically attached to the PCB
- Jumpers
- Solder joints
- PCB vias

Typical thermo-junctions have temperature to voltage conversion coefficients of 10 to 100  $\mu\text{V}/^\circ\text{C}$  (sometimes higher).

Microchip's AN1258 (*"Op Amp Precision Design: PCB Layout Techniques"*) contains in depth information on PCB layout techniques that minimize thermo-junction effects. It also discusses other effects, such as crosstalk, impedances, mechanical stresses and humidity.

## 4.3.11.2 Crosstalk

DC crosstalk causes offsets that appear as a larger input offset voltage. Common causes include:

- Common mode noise (remote sensors)
- Ground loops (current return paths)
- Power supply coupling

Interference from the mains (usually 50 Hz or 60 Hz), and other AC sources, can also affect the DC performance. Non-linear distortion can convert these signals to multiple tones, including a DC shift in voltage. When the signal is sampled by an ADC, these AC signals can also be aliased to DC, causing an apparent shift in offset.

To reduce interference:

- Keep traces and wires as short as possible
- Use shielding (e.g., encapsulant)
- Use ground plane (at least a star ground)
- Place the input signal source near to the DUT
- Use good PCB layout techniques
- Use a separate power supply filter (bypass capacitors) for these auto-zeroed op amps

## 4.3.11.3 Miscellaneous Effects

Keep the resistances seen by the input pins as small and as near to equal as possible, to minimize bias current-related offsets.

Make the (trace) capacitances seen by the input pins small and equal. This is helpful in minimizing switching glitch-induced offset voltages.

Bending a coax cable with a radius that is too small causes a small voltage drop to appear on the center conductor (the tribo-electric effect). Make sure the bending radius is large enough to keep the conductors and insulation in full contact.

Mechanical stresses can make some capacitor types (such as ceramic) to output small voltages. Use more appropriate capacitor types in the signal path and minimize mechanical stresses and vibration.

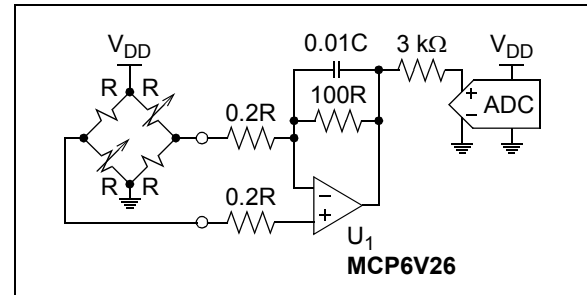
Humidity can cause electro-chemical potential voltages to appear in a circuit. Proper PCB cleaning helps, as does the use of encapsulants.

## 4.4 Typical Applications

### 4.4.1 WHEATSTONE BRIDGE

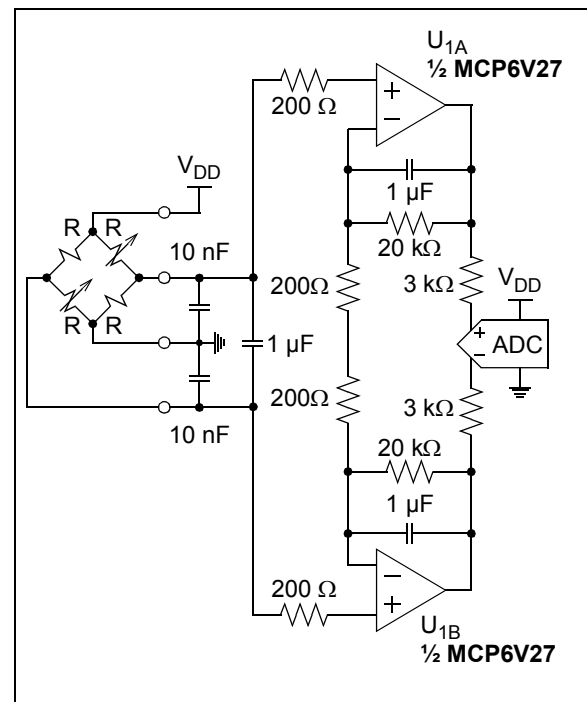
Many sensors are configured as Wheatstone bridges. Strain gauges and pressure sensors are two common examples. These signals can be small and the common mode noise large. Amplifier designs with high differential gain are desirable.

Figure 4-12 shows how to interface to a Wheatstone bridge with a minimum of components. Because the circuit is not symmetric, the ADC input is single ended, there is a minimum of filtering, and the CMRR is good enough for moderate common mode noise.



**FIGURE 4-12:** Simple Design.

Figure 4-13 shows a higher performance circuit for Wheatstone bridges. This circuit is symmetric and has high CMRR. Using a differential input to the ADC helps with the CMRR.

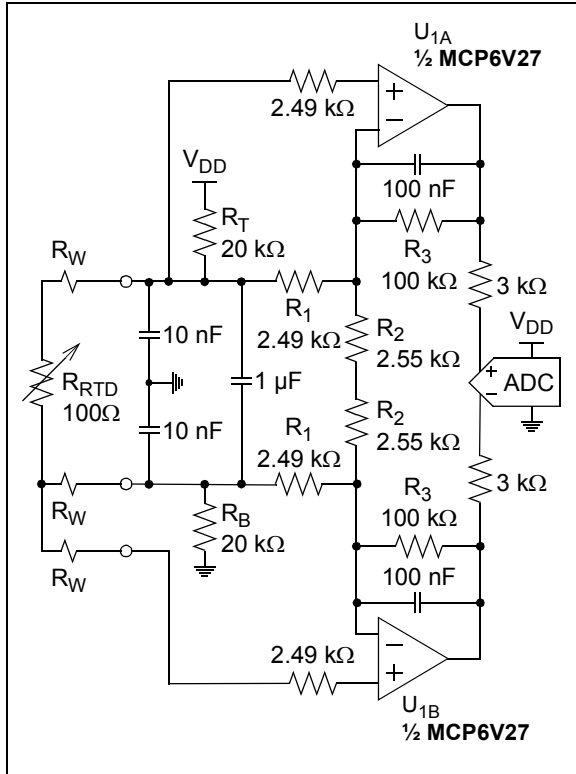


**FIGURE 4-13:** High Performance Design.

# MCP6V26/7/8

## 4.4.2 RTD SENSOR

The ratiometric circuit in Figure 4-14 conditions a three wire RTD. It corrects for the sensor's wiring resistance by subtracting the voltage across the middle  $R_W$ . The top  $R_1$  does not change the output voltage; it balances the op amp inputs. Failure (open) of the RTD is detected by an out-of-range voltage.



**FIGURE 4-14:** RTD Sensor.

The voltages at the input of the ADC can be calculated with the following:

$$G_{RTD} = I + 2 \cdot R_3 / R_2$$

$$G_W = G_{RTD} - R_3 / R_1$$

$$V_{DM} = G_{RTD}(V_T - V_B) + G_W V_W$$

$$V_{CM} = \frac{V_T + V_B + (G_{RTD} + I - G_W)V_W}{2}$$

Where:

- $V_T$  = Voltage at the top of  $R_{RTD}$
- $V_B$  = Voltage at the bottom of  $R_{RTD}$
- $V_W$  = Voltage across top and middle  $R_W$ 's
- $V_{CM}$  = ADC's common mode input
- $V_{DM}$  = ADC's differential mode input

## 4.4.3 THERMOCOUPLE SENSOR

Figure 4-15 shows a simplified diagram of an amplifier and temperature sensor used in a thermocouple application. The type K thermocouple senses the temperature at the hot junction ( $T_{HJ}$ ), and produces a voltage at  $V_1$  proportional to  $T_{HJ}$  (in  $^{\circ}C$ ). The amplifier's gain is set so that  $V_4/T_{HJ}$  is  $10 \text{ mV}/^{\circ}C$ .  $V_3$  represents the output of a temperature sensor, which produces a voltage proportional to the temperature (in  $^{\circ}C$ ) at the cold junction ( $T_{CJ}$ ), and with a 0.50V offset.  $V_2$  is set so that  $V_4$  is 0.50V when  $T_{HJ} - T_{CJ}$  is  $0^{\circ}C$ .

### EQUATION 4-3:

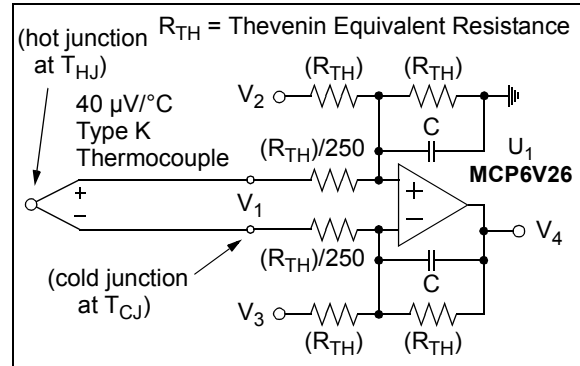
$$V_1 \approx T_{HJ}(40 \mu\text{V}/^{\circ}\text{C})$$

$$V_2 = (1.00\text{V})$$

$$V_3 = T_{CJ}(10 \text{ mV}/^{\circ}\text{C}) + (0.50\text{V})$$

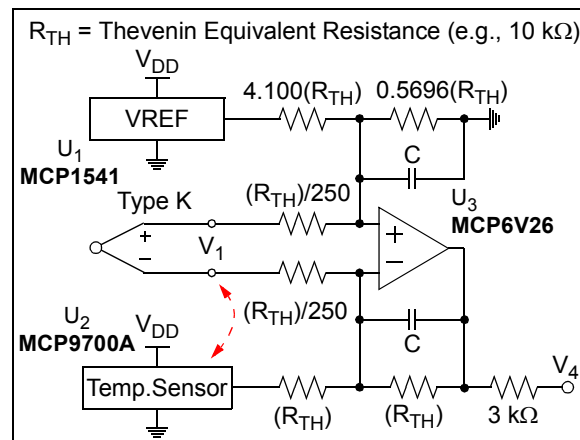
$$V_4 = 250V_1 + (V_2 - V_3)$$

$$\approx (10 \text{ mV}/^{\circ}\text{C})(T_{HJ} - T_{CJ}) + (0.50\text{V})$$



**FIGURE 4-15:** Thermocouple Sensor; Simplified Circuit.

Figure 4-16 shows a more complete implementation of this circuit. The dashed red arrow indicates a thermally conductive connection between the thermocouple and the MCP9700A; it needs to be very short and have low thermal resistance.



**FIGURE 4-16:** Thermocouple Sensor.

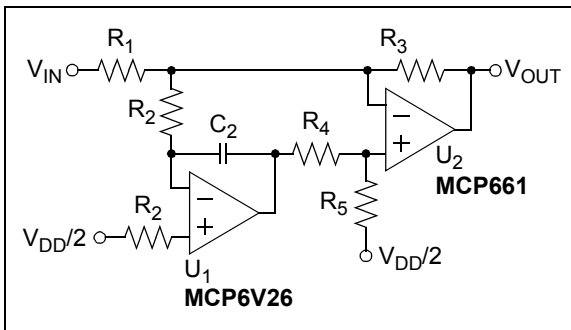
The MCP9700A senses the temperature at its physical location. It needs to be at the same temperature as the cold junction ( $T_{CJ}$ ), and produces  $V_3$  (Figure 4-15).

The MCP1541 produces a 4.10V output, assuming  $V_{DD}$  is at 5.0V. This voltage, tied to a resistor ladder of  $4.100(R_{TH})$  and  $1.3224(R_{TH})$ , would produce a Thevenin equivalent of 1.00V and  $250(R_{TH})$ . The  $1.3224(R_{TH})$  resistor is combined in parallel with the top right  $R_{TH}$  resistor (in Figure 4-15), producing the  $0.5696(R_{TH})$  resistor.

$V_4$  should be converted to digital, then corrected for the thermocouple's non-linearity. The ADC can use the MCP1541 as its voltage reference. Alternately, an absolute reference inside a PICmicro<sup>®</sup> device can be used instead of the MCP1541.

#### 4.4.4 OFFSET VOLTAGE CORRECTION

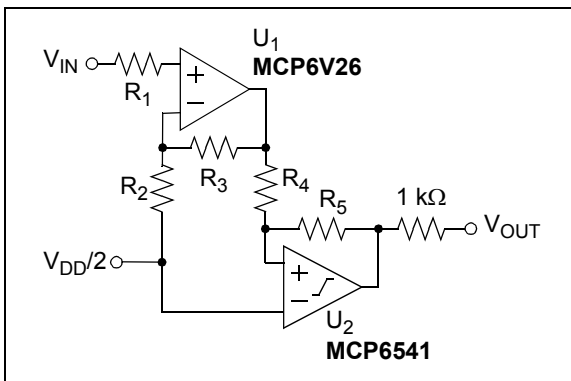
Figure 4-17 shows an MCP6V27 correcting the input offset voltage of another op amp.  $R_2$  and  $C_2$  integrate the offset error seen at the other op amp's input; the integration needs to be slow enough to be stable (with the feedback provided by  $R_1$  and  $R_3$ ).



**FIGURE 4-17:** Offset Correction.

#### 4.4.5 PRECISION COMPARATOR

Use high gain before a comparator to improve the latter's performance. Do not use MCP6V26/7/8 as a comparator by itself; the  $V_{OS}$  correction circuitry does not operate properly without a feedback loop.



**FIGURE 4-18:** Precision Comparator.

# MCP6V26/7/8

---

NOTES:

## 5.0 DESIGN AIDS

Microchip provides the basic design aids needed for the MCP6V26/7/8 family of op amps.

### 5.1 SPICE Macro Model

The latest SPICE macro model for the MCP6V26/7/8 family of op amps is available on the Microchip web site at [www.microchip.com](http://www.microchip.com). This model is intended to be an initial design tool that works well in the op amp's linear region of operation over the temperature range. See the model file for information on its capabilities.

Bench testing is a very important part of any design and cannot be replaced with simulations. Also, simulation results using this macro model need to be validated by comparing them to the data sheet specifications and characteristic curves.

### 5.2 FilterLab<sup>®</sup> Software

Microchip's FilterLab<sup>®</sup> software is an innovative software tool that simplifies analog active filter (using op amps) design. Available at no cost from the Microchip web site at [www.microchip.com/filterlab](http://www.microchip.com/filterlab), the Filter-Lab design tool provides full schematic diagrams of the filter circuit with component values. It also outputs the filter circuit in SPICE format, which can be used with the macro model to simulate actual filter performance.

### 5.3 Microchip Advanced Part Selector (MAPS)

MAPS is a software tool that helps efficiently identify Microchip devices that fit a particular design requirement. Available at no cost from the Microchip website at [www.microchip.com/maps](http://www.microchip.com/maps), the MAPS is an overall selection tool for Microchip's product portfolio that includes Analog, Memory, MCUs and DSCs. Using this tool, a customer can define a filter to sort features for a parametric search of devices and export side-by-side technical comparison reports. Helpful links are also provided for Data sheets, Purchase and Sampling of Microchip parts.

## 5.4 Analog Demonstration and Evaluation Boards

Microchip offers a broad spectrum of Analog Demonstration and Evaluation Boards that are designed to help customers achieve faster time to market. For a complete listing of these boards and their corresponding user's guides and technical information, visit the Microchip web site at [www.microchip.com/analogtools](http://www.microchip.com/analogtools).

Some boards that are especially useful are:

- MCP6V01 Thermocouple Auto-Zeroed Reference Design
- MCP6XXX Amplifier Evaluation Board 1
- MCP6XXX Amplifier Evaluation Board 2
- MCP6XXX Amplifier Evaluation Board 3
- MCP6XXX Amplifier Evaluation Board 4
- Active Filter Demo Board Kit
- P/N SOIC8EV: 8-Pin SOIC/MSOP/TSSOP/DIP Evaluation Board
- P/N SOIC14EV: 14-Pin SOIC/TSSOP/DIP Evaluation Board

## 5.5 Application Notes

The following Microchip Application Notes are available on the Microchip web site at [www.microchip.com/appnotes](http://www.microchip.com/appnotes) and are recommended as supplemental reference resources.

**ADN003:** "Select the Right Operational Amplifier for your Filtering Circuits", DS21821

**AN722:** "Operational Amplifier Topologies and DC Specifications", DS00722

**AN723:** "Operational Amplifier AC Specifications and Applications", DS00723

**AN884:** "Driving Capacitive Loads With Op Amps", DS00884

**AN990:** "Analog Sensor Conditioning Circuits – An Overview", DS00990

**AN1177:** "Op Amp Precision Design: DC Errors", DS01177

**AN1228:** "Op Amp Precision Design: Random Noise", DS01228

**AN1258:** "Op Amp Precision Design: PCB Layout Techniques", DS01258

These application notes and others are listed in the design guide:

"Signal Chain Design Guide", DS21825

# MCP6V26/7/8

---

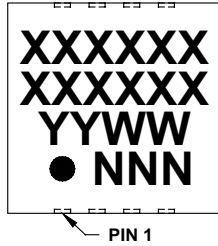
NOTES:



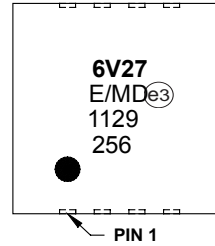
## 6.0 PACKAGING INFORMATION

### 6.1 Package Marking Information

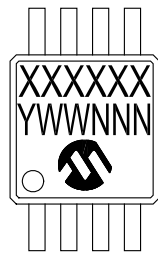
8-Lead DFN (4x4x0.9 mm) (MCP6V27)



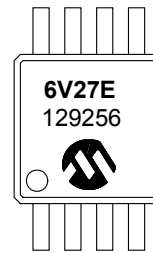
Example



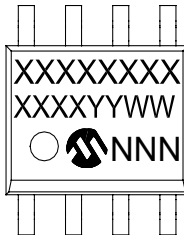
8-Lead MSOP (3x3 mm)



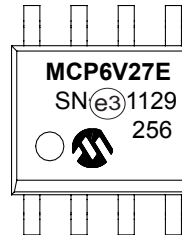
Example



8-Lead SOIC (3.90 mm)



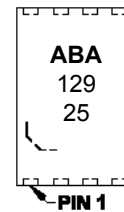
Example



8-Lead TDFN (2x3x0.75 mm) (MCP6V26, MCP6V28)



Example



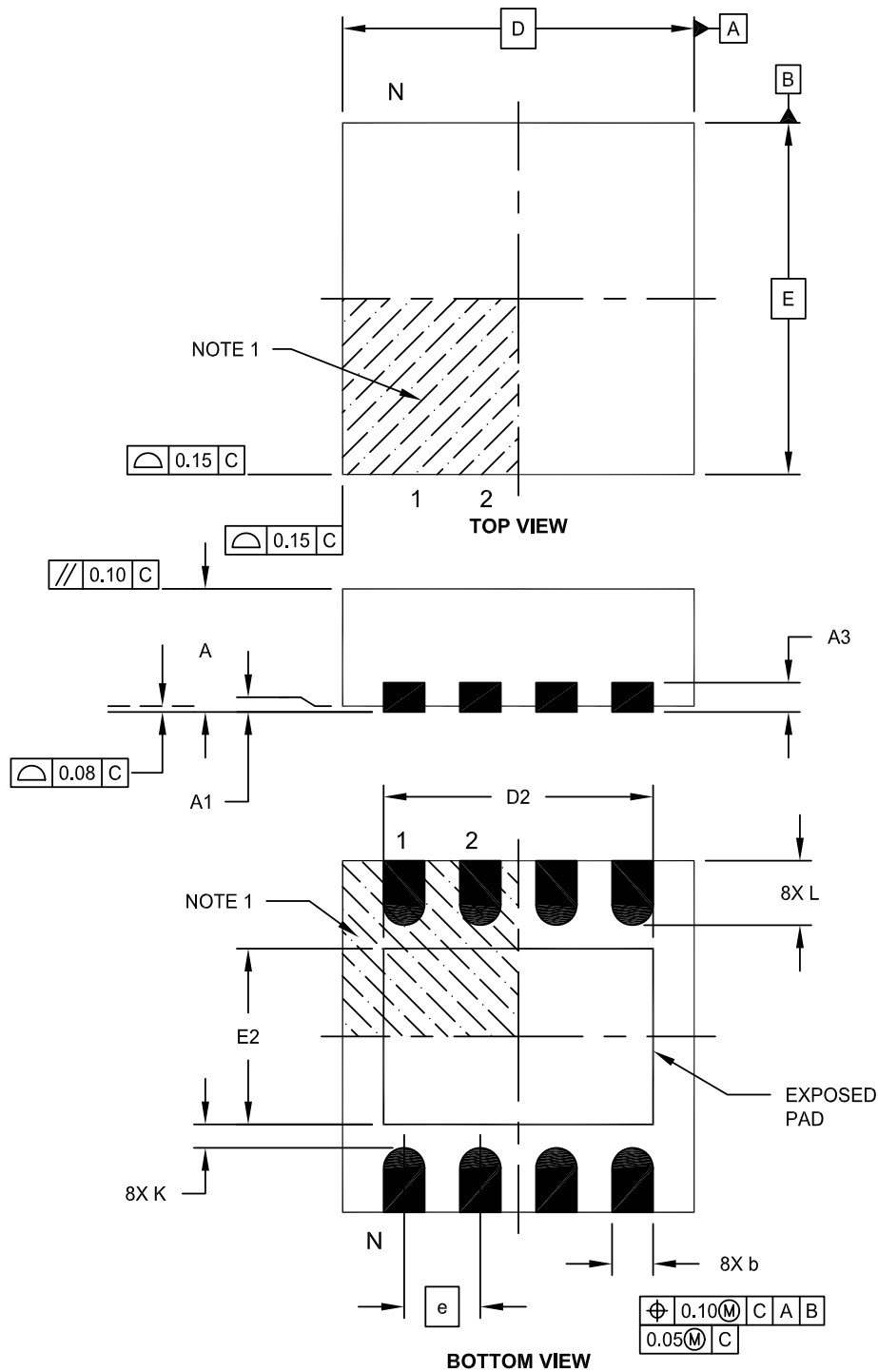
Device	Code
MCP6V26T-E/MNY	ABA
MCP6V28T-E/MNY	ABB

<b>Legend:</b>	XX...X	Customer-specific information
	Y	Year code (last digit of calendar year)
	YY	Year code (last 2 digits of calendar year)
	WW	Week code (week of January 1 is week '01')
	NNN	Alphanumeric traceability code
	(e3)	Pb-free JEDEC designator for Matte Tin (Sn)
	*	This package is Pb-free. The Pb-free JEDEC designator (e3) can be found on the outer packaging for this package.
<b>Note:</b>	In the event the full Microchip part number cannot be marked on one line, it will be carried over to the next line, thus limiting the number of available characters for customer-specific information.	

# MCP6V26/7/8

## 8-Lead Plastic Dual Flat, No Lead Package (MD) – 4x4x0.9 mm Body [DFN]

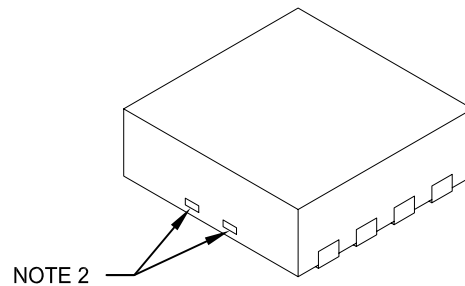
**Note:** For the most current package drawings, please see the Microchip Packaging Specification located at <http://www.microchip.com/packaging>



Microchip Technology Drawing C04-131E Sheet 1 of 2

## 8-Lead Plastic Dual Flat, No Lead Package (MD) – 4x4x0.9 mm Body [DFN]

**Note:** For the most current package drawings, please see the Microchip Packaging Specification located at <http://www.microchip.com/packaging>



		Units	MILLIMETERS		
Dimension Limits			MIN	NOM	MAX
Number of Pins	N		8		
Pitch	e		0.80 BSC		
Overall Height	A	0.80	0.90	1.00	
Standoff	A1	0.00	0.02	0.05	
Contact Thickness	A3	0.20 REF			
Overall Length	D	4.00 BSC			
Exposed Pad Width	E2	2.60	2.70	2.80	
Overall Width	E	4.00 BSC			
Exposed Pad Length	D2	3.40	3.50	3.60	
Contact Width	b	0.25	0.30	0.35	
Contact Length	L	0.30	0.40	0.50	
Contact-to-Exposed Pad	K	0.20	-	-	

**Notes:**

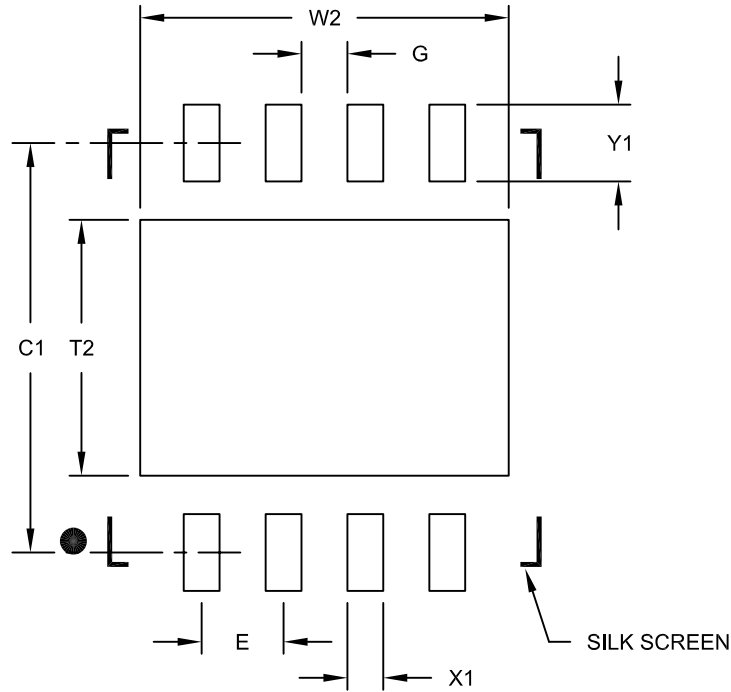
1. Pin 1 visual index feature may vary, but must be located within the hatched area.
2. Package may have one or more exposed tie bars at ends.
3. Package is saw singulated
4. Dimensioning and tolerancing per ASME Y14.5M
  - BSC: Basic Dimension. Theoretically exact value shown without tolerances.
  - REF: Reference Dimension, usually without tolerance, for information purposes only.

Microchip Technology Drawing C04-131E Sheet 2 of 2

# MCP6V26/7/8

## 8-Lead Plastic Dual Flat, No Lead Package (MD) - 4x4x0.9 mm Body [DFN]

**Note:** For the most current package drawings, please see the Microchip Packaging Specification located at <http://www.microchip.com/packaging>



RECOMMENDED LAND PATTERN

Dimension Limits	Units	MILLIMETERS		
		MIN	NOM	MAX
Contact Pitch	E	0.80 BSC		
Optional Center Pad Width	W2			3.60
Optional Center Pad Length	T2			2.50
Contact Pad Spacing	C1		4.00	
Contact Pad Width (X8)	X1			0.35
Contact Pad Length (X8)	Y1			0.75
Distance Between Pads	G	0.45		

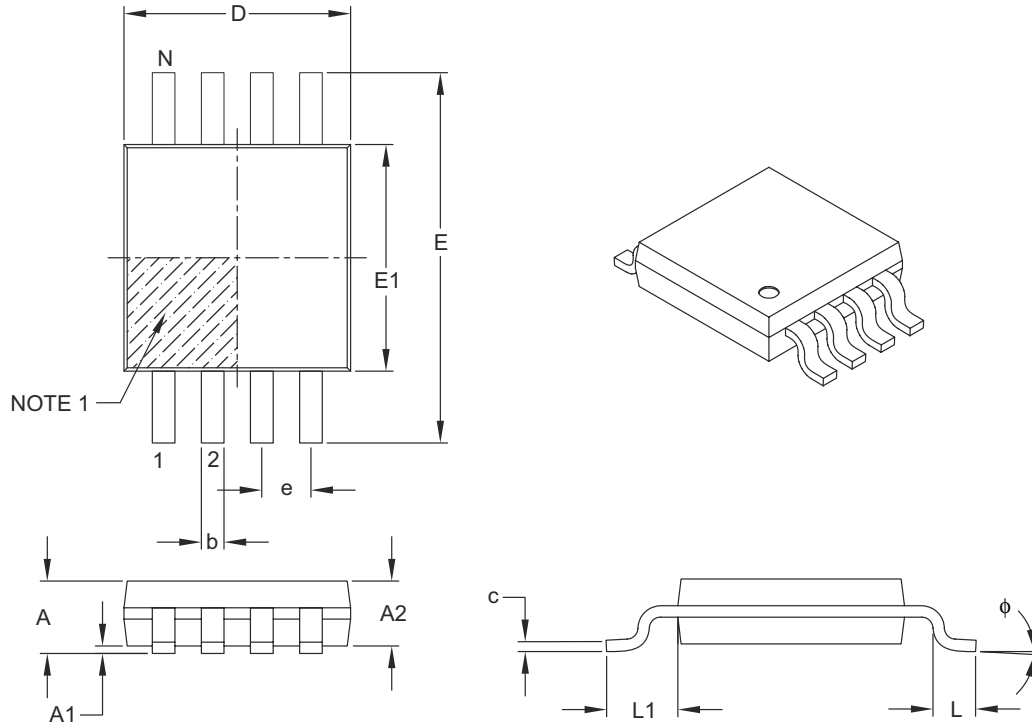
**Notes:**

1. Dimensioning and tolerancing per ASME Y14.5M  
 BSC: Basic Dimension. Theoretically exact value shown without tolerances.

Microchip Technology Drawing No. C04-2131C

## 8-Lead Plastic Micro Small Outline Package (MS) [MSOP]

**Note:** For the most current package drawings, please see the Microchip Packaging Specification located at <http://www.microchip.com/packaging>



Dimension Limits	Units	MILLIMETERS		
		MIN	NOM	MAX
Number of Pins	N	8		
Pitch	e	0.65 BSC		
Overall Height	A	–	–	1.10
Molded Package Thickness	A2	0.75	0.85	0.95
Standoff	A1	0.00	–	0.15
Overall Width	E	4.90 BSC		
Molded Package Width	E1	3.00 BSC		
Overall Length	D	3.00 BSC		
Foot Length	L	0.40	0.60	0.80
Footprint	L1	0.95 REF		
Foot Angle	$\phi$	0°	–	8°
Lead Thickness	c	0.08	–	0.23
Lead Width	b	0.22	–	0.40

**Notes:**

- Pin 1 visual index feature may vary, but must be located within the hatched area.
- Dimensions D and E1 do not include mold flash or protrusions. Mold flash or protrusions shall not exceed 0.15 mm per side.
- Dimensioning and tolerancing per ASME Y14.5M.

BSC: Basic Dimension. Theoretically exact value shown without tolerances.

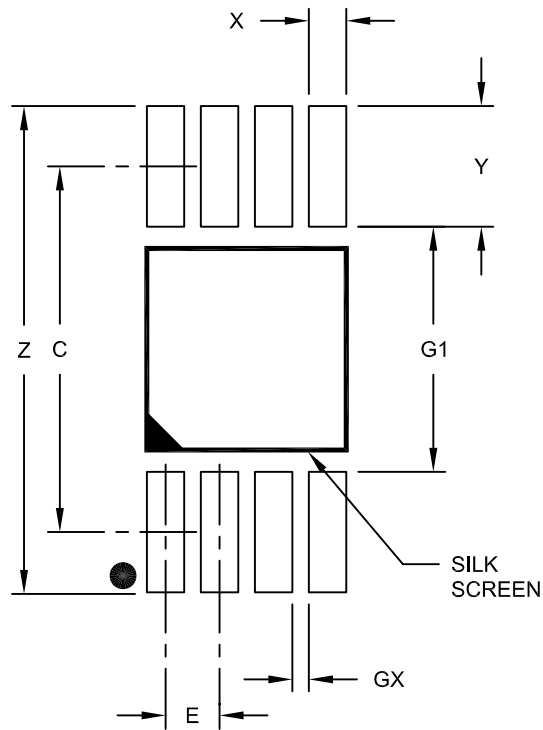
REF: Reference Dimension, usually without tolerance, for information purposes only.

Microchip Technology Drawing C04-111B

# MCP6V26/7/8

## 8-Lead Plastic Micro Small Outline Package (MS) [MSOP]

**Note:** For the most current package drawings, please see the Microchip Packaging Specification located at <http://www.microchip.com/packaging>



RECOMMENDED LAND PATTERN

Dimension Limits	Units	MILLIMETERS		
		MIN	NOM	MAX
Contact Pitch	E	0.65 BSC		
Contact Pad Spacing	C		4.40	
Overall Width	Z			5.85
Contact Pad Width (X8)	X1			0.45
Contact Pad Length (X8)	Y1			1.45
Distance Between Pads	G1	2.95		
Distance Between Pads	GX	0.20		

**Notes:**

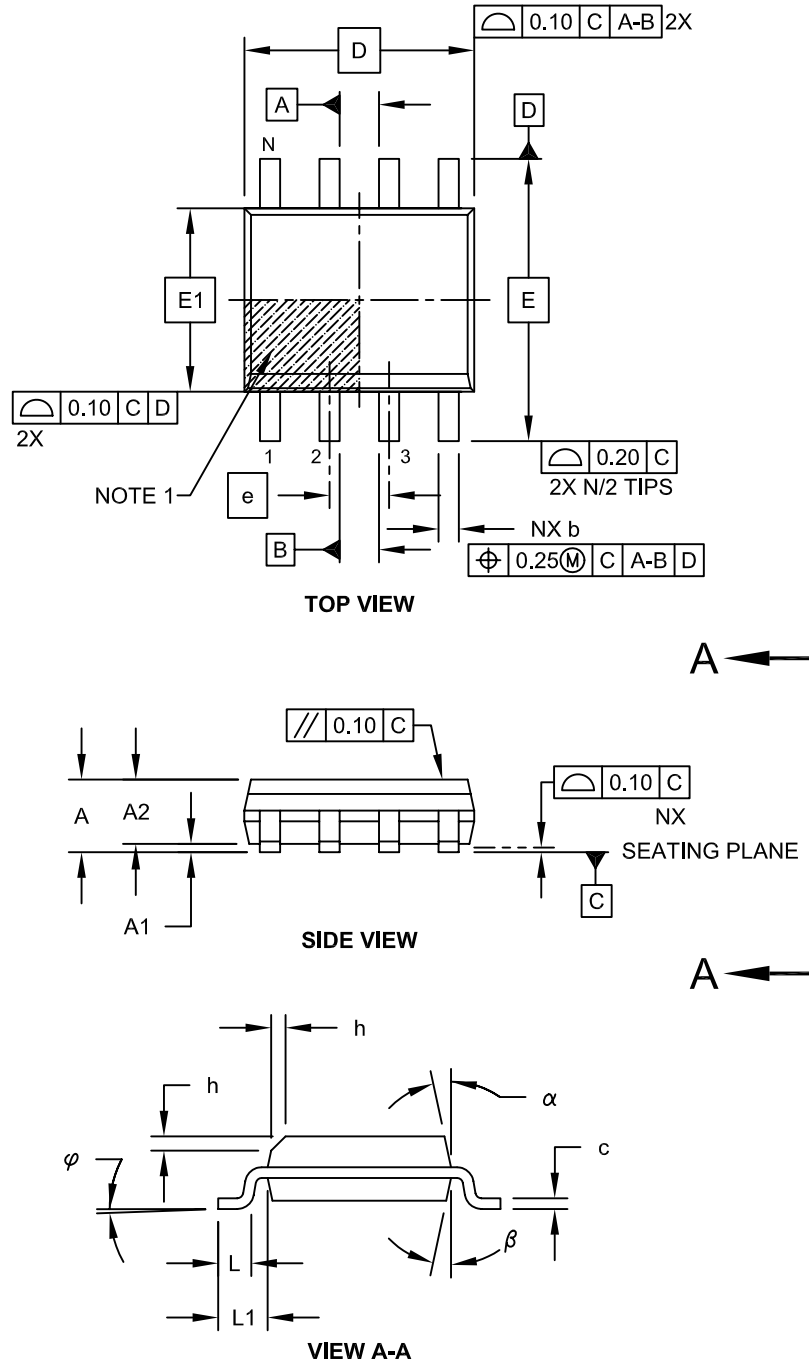
1. Dimensioning and tolerancing per ASME Y14.5M

BSC: Basic Dimension. Theoretically exact value shown without tolerances.

Microchip Technology Drawing No. C04-2111A

## 8-Lead Plastic Small Outline (SN) - Narrow, 3.90 mm Body [SOIC]

**Note:** For the most current package drawings, please see the Microchip Packaging Specification located at <http://www.microchip.com/packaging>

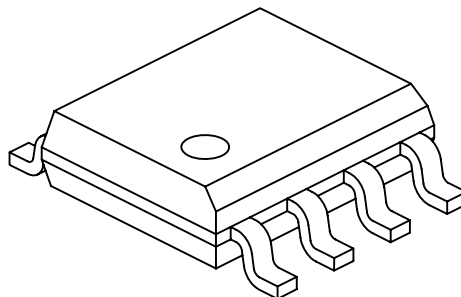


Microchip Technology Drawing No. C04-057C Sheet 1 of 2

# MCP6V26/7/8

## 8-Lead Plastic Small Outline (SN) - Narrow, 3.90 mm Body [SOIC]

**Note:** For the most current package drawings, please see the Microchip Packaging Specification located at <http://www.microchip.com/packaging>



Dimension Limits	Units	MILLIMETERS		
		MIN	NOM	MAX
Number of Pins	N	8		
Pitch	e	1.27 BSC		
Overall Height	A	-	-	1.75
Molded Package Thickness	A2	1.25	-	-
Standoff §	A1	0.10	-	0.25
Overall Width	E	6.00 BSC		
Molded Package Width	E1	3.90 BSC		
Overall Length	D	4.90 BSC		
Chamfer (Optional)	h	0.25	-	0.50
Foot Length	L	0.40	-	1.27
Footprint	L1	1.04 REF		
Foot Angle	φ	0°	-	8°
Lead Thickness	c	0.17	-	0.25
Lead Width	b	0.31	-	0.51
Mold Draft Angle Top	α	5°	-	15°
Mold Draft Angle Bottom	β	5°	-	15°

### Notes:

1. Pin 1 visual index feature may vary, but must be located within the hatched area.
2. § Significant Characteristic
3. Dimensions D and E1 do not include mold flash or protrusions. Mold flash or protrusions shall not exceed 0.15mm per side.
4. Dimensioning and tolerancing per ASME Y14.5M

BSC: Basic Dimension. Theoretically exact value shown without tolerances.

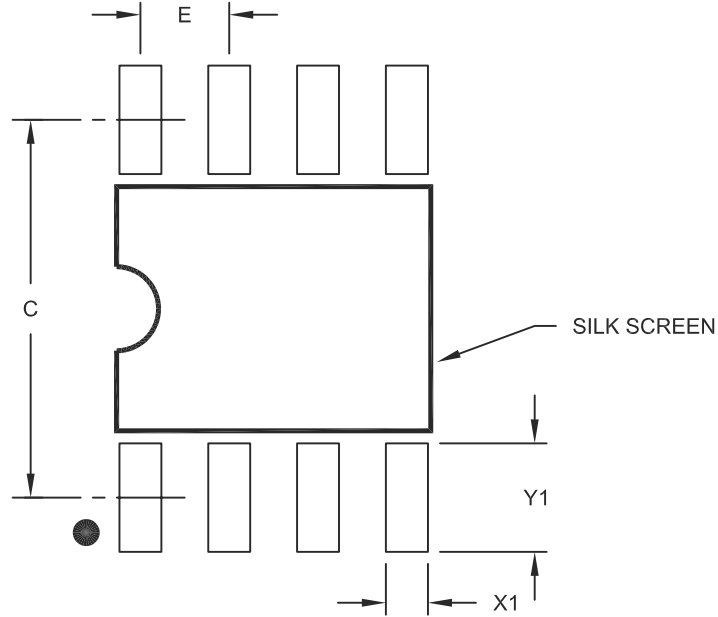
REF: Reference Dimension, usually without tolerance, for information purposes only.

Microchip Technology Drawing No. C04-057C Sheet 2 of 2



## 8-Lead Plastic Small Outline (SN) – Narrow, 3.90 mm Body [SOIC]

**Note:** For the most current package drawings, please see the Microchip Packaging Specification located at <http://www.microchip.com/packaging>



RECOMMENDED LAND PATTERN

Dimension Limits	Units	MILLIMETERS		
		MIN	NOM	MAX
Contact Pitch	E	1.27 BSC		
Contact Pad Spacing	C		5.40	
Contact Pad Width (X8)	X1			0.60
Contact Pad Length (X8)	Y1			1.55

Notes:

1. Dimensioning and tolerancing per ASME Y14.5M

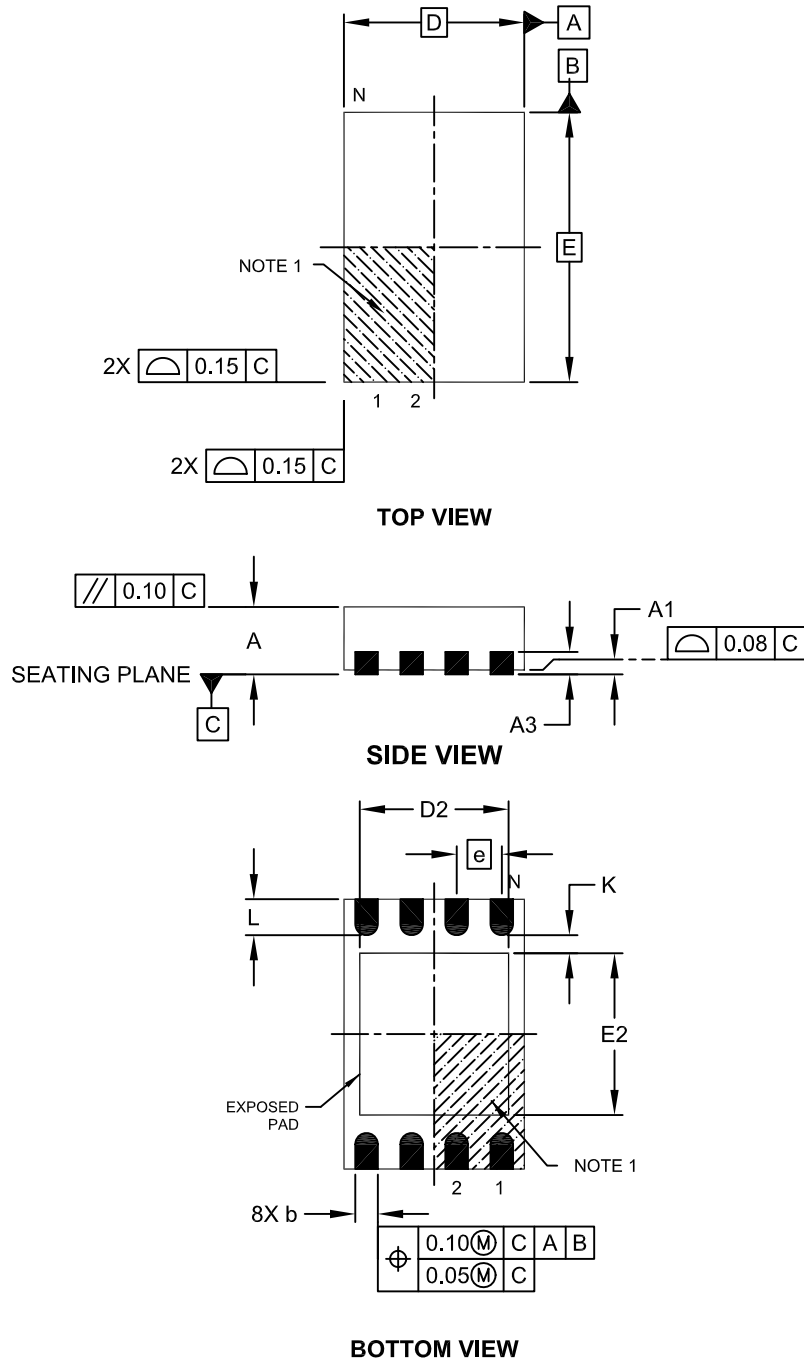
BSC: Basic Dimension. Theoretically exact value shown without tolerances.

Microchip Technology Drawing No. C04-2057A

# MCP6V26/7/8

## 8-Lead Plastic Dual Flat, No Lead Package (MN) – 2x3x0.75mm Body [TDFN]

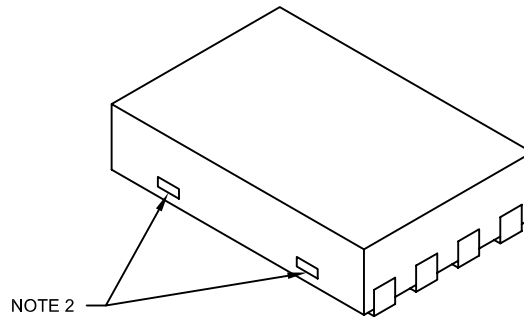
**Note:** For the most current package drawings, please see the Microchip Packaging Specification located at <http://www.microchip.com/packaging>



Microchip Technology Drawing No. C04-129C Sheet 1 of 2

## 8-Lead Plastic Dual Flat, No Lead Package (MN) – 2x3x0.75mm Body [TDFN]

**Note:** For the most current package drawings, please see the Microchip Packaging Specification located at <http://www.microchip.com/packaging>



Dimension Limits	Units	MILLIMETERS		
		MIN	NOM	MAX
Number of Pins	N	8		
Pitch	e	0.50 BSC		
Overall Height	A	0.70	0.75	0.80
Standoff	A1	0.00	0.02	0.05
Contact Thickness	A3	0.20 REF		
Overall Length	D	2.00 BSC		
Overall Width	E	3.00 BSC		
Exposed Pad Length	D2	1.20	-	1.60
Exposed Pad Width	E2	1.20	-	1.60
Contact Width	b	0.20	0.25	0.30
Contact Length	L	0.25	0.30	0.45
Contact-to-Exposed Pad	K	0.20	-	-

**Notes:**

1. Pin 1 visual index feature may vary, but must be located within the hatched area.
2. Package may have one or more exposed tie bars at ends.
3. Package is saw singulated
4. Dimensioning and tolerancing per ASME Y14.5M

BSC: Basic Dimension. Theoretically exact value shown without tolerances.

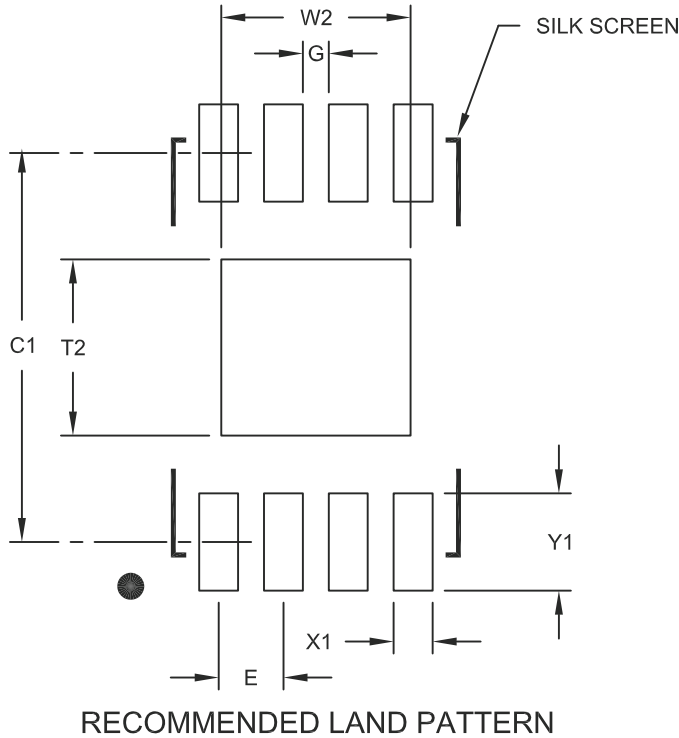
REF: Reference Dimension, usually without tolerance, for information purposes only.

Microchip Technology Drawing No. C04-129C Sheet 2 of 2

# MCP6V26/7/8

## 8-Lead Plastic Dual Flat, No Lead Package (MN) – 2x3x0.75 mm Body [TDFN]

**Note:** For the most current package drawings, please see the Microchip Packaging Specification located at <http://www.microchip.com/packaging>



Dimension Limits	Units	MILLIMETERS		
		MIN	NOM	MAX
Contact Pitch	E	0.50 BSC		
Optional Center Pad Width	W2			1.46
Optional Center Pad Length	T2			1.36
Contact Pad Spacing	C1		3.00	
Contact Pad Width (X8)	X1			0.30
Contact Pad Length (X8)	Y1			0.75
Distance Between Pads	G	0.20		

**Notes:**

1. Dimensioning and tolerancing per ASME Y14.5M

BSC: Basic Dimension. Theoretically exact value shown without tolerances.

Microchip Technology Drawing No. C04-2129A

## APPENDIX A: REVISION HISTORY

### Revision B (August 2011)

The following is the list of modifications:

1. Added the MCP6V26 and MCP6V28 single op amps.
  - a) Updated package drawings on page 1.
  - b) Updated the pinout table (Table 3-1).
  - c) Added 8-lead, 2×3 TDFN package to the Thermal Characteristics Table (Table 1-4).
  - d) Added 8-lead, 2×3 TDFN package to **Section 6.0 “Packaging Information”**.
  - e) Added parts numbers to **Product Identification System**.
2. Added Chip Select ( $\overline{CS}$ ) information.
  - a) Added Digital Electrical Specifications table (Table 1-3).
  - b) Added Timing Diagram (Figure 1-4).
  - c) Added **Section 2.6 “Chip Select Response (MCP6V28 only)”** to the Typical Performance Curves.
  - d) Added **Section 4.2.3 “Chip Select (CS)”** to the applications write up.
3. Added information on positive feedback and parasitic feedback capacitance.
  - a) Added to **Section 4.3.4 “Source Resistances”**.
  - b) Added to **Section 4.3.5 “Source Capacitance”**.
  - c) Modified Figure 4-10.
  - d) Added to **Section 4.3.8 “Gain Peaking”**.
4. Other minor typographical corrections.

### Revision A (March 2011)

- Original data sheet for the MCP6V27 dual op amps.

# MCP6V26/7/8

## APPENDIX B: OFFSET RELATED TEST SCREENS

We use production screens to ensure the quality of our outgoing products. These screens are set at wider limits to eliminate any fliers; see [Table B-1](#).

Input offset voltage-related specifications in the DC spec table ([Table 1-1](#)) are based on bench measurements (see [Section 2.1 “DC Input Precision”](#)). These measurements are much more accurate because:

- More compact circuit
- Soldered parts on the PCB (to validate other measurements)
- More time spent averaging (reduces noise)
- Better temperature control
  - Reduced temperature gradients
  - Greater accuracy

**TABLE B-1: OFFSET RELATED TEST SCREENS**

<b>Electrical Characteristics:</b> Unless otherwise indicated, $T_A = +25^\circ\text{C}$ , $V_{DD} = +2.3\text{V}$ to $+5.5\text{V}$ , $V_{SS} = \text{GND}$ , $V_{CM} = V_{DD}/3$ , $V_{OUT} = V_{DD}/2$ , $V_L = V_{DD}/2$ , $R_L = 10\text{ k}\Omega$ to $V_L$ and $\overline{\text{CS}} = \text{GND}$ (refer to <a href="#">Figure 1-5</a> and <a href="#">Figure 1-6</a> ).					
Parameters	Sym	Min	Max	Units	Conditions
<b>Input Offset</b>					
Input Offset Voltage	$V_{OS}$	-10	+10	$\mu\text{V}$	$T_A = +25^\circ\text{C}$ ( <a href="#">Note 1</a> , <a href="#">Note 2</a> )
Input Offset Voltage Drift with Temperature (linear Temp. Co.)	$TC_1$	—	—	$\text{nV}/^\circ\text{C}$	$T_A = -40$ to $+125^\circ\text{C}$ ( <a href="#">Note 3</a> )
Power Supply Rejection	PSRR	115	—	dB	( <a href="#">Note 1</a> )
<b>Common Mode</b>					
Common Mode Rejection	CMRR	106	—	dB	$V_{DD} = 2.3\text{V}$ , $V_{CM} = -0.15\text{V}$ to $2.5\text{V}$ ( <a href="#">Note 1</a> )
	CMRR	116	—	dB	$V_{DD} = 5.5\text{V}$ , $V_{CM} = -0.15\text{V}$ to $5.7\text{V}$ ( <a href="#">Note 1</a> )
<b>Open-Loop Gain</b>					
DC Open-Loop Gain (large signal)	$A_{OL}$	114	—	dB	$V_{DD} = 2.3\text{V}$ , $V_{OUT} = 0.2\text{V}$ to $2.1\text{V}$ ( <a href="#">Note 1</a> )
	$A_{OL}$	122	—	dB	$V_{DD} = 5.5\text{V}$ , $V_{OUT} = 0.2\text{V}$ to $5.3\text{V}$ ( <a href="#">Note 1</a> )

**Note 1:** Due to thermal junctions and other errors in the production environment, these specifications are only screened in production.

**2:**  $V_{OS}$  is also sample screened at  $+125^\circ\text{C}$ .

**3:**  $TC_1$  is not measured in production.

## PRODUCT IDENTIFICATION SYSTEM

To order or obtain information, e.g., on pricing or delivery, refer to the factory or the listed sales office.

<u>PART NO.</u>	<u>-X</u>	<u>/XX</u>	
Device	Temperature Range	Package	
Device:	MCP6V26	Single Op Amp	
	MCP6V26T	Single Op Amp (Tape and Reel)	
	MCP6V27	Dual Op Amp	
	MCP6V27T	Dual Op Amp (Tape and Reel)	
	MCP6V28	Single Op Amp with Chip Select	
	MCP6V28T	Single Op Amp with Chip Select (Tape and Reel)	
Temperature Range:	E	= -40°C to +125°C	
Package:	MD	= Plastic Dual Flat, No-Lead (4x4x0.9), 8-lead	
	MNY *	= Plastic Dual Flat, No-Lead (2x3x0.75), 8-lead	
	MS	= Plastic Micro Small Outline Package, 8-lead	
	SN	= Plastic SOIC (150mil Body), 8-lead	
	* Y = Nickel Palladium gold manufacturing designator. Only available on the TDFN package.		
<b>Examples:</b>			
a)	MCP6V26T-E/MNY:	Extended temperature, 8LD 2x3 TDFN package	
b)	MCP6V26-E/MS:	Extended temperature, 8LD MSOP package	
a)	MCP6V26T-E/SN:	Tape and Reel, Extended temperature, 8LD SOIC package	
a)	MCP6V27-E/MD:	Extended temperature, 8LD 4x4 DFN package	
b)	MCP6V27-E/MS:	Extended temperature, 8LD MSOP package	
c)	MCP6V27-E/SN:	Extended temperature, 8LD SOIC package	
a)	MCP6V28T-E/MNY:	Extended temperature, 8LD 2x3 TDFN package	
b)	MCP6V28-E/MS:	Extended temperature, 8LD MSOP package	
c)	MCP6V28T-E/SN:	Tape and Reel, Extended temperature, 8LD SOIC package	

# MCP6V26/7/8

---

NOTES:



---

**Note the following details of the code protection feature on Microchip devices:**

- Microchip products meet the specification contained in their particular Microchip Data Sheet.
- Microchip believes that its family of products is one of the most secure families of its kind on the market today, when used in the intended manner and under normal conditions.
- There are dishonest and possibly illegal methods used to breach the code protection feature. All of these methods, to our knowledge, require using the Microchip products in a manner outside the operating specifications contained in Microchip's Data Sheets. Most likely, the person doing so is engaged in theft of intellectual property.
- Microchip is willing to work with the customer who is concerned about the integrity of their code.
- Neither Microchip nor any other semiconductor manufacturer can guarantee the security of their code. Code protection does not mean that we are guaranteeing the product as “unbreakable.”

Code protection is constantly evolving. We at Microchip are committed to continuously improving the code protection features of our products. Attempts to break Microchip's code protection feature may be a violation of the Digital Millennium Copyright Act. If such acts allow unauthorized access to your software or other copyrighted work, you may have a right to sue for relief under that Act.

---

Information contained in this publication regarding device applications and the like is provided only for your convenience and may be superseded by updates. It is your responsibility to ensure that your application meets with your specifications. MICROCHIP MAKES NO REPRESENTATIONS OR WARRANTIES OF ANY KIND WHETHER EXPRESS OR IMPLIED, WRITTEN OR ORAL, STATUTORY OR OTHERWISE, RELATED TO THE INFORMATION, INCLUDING BUT NOT LIMITED TO ITS CONDITION, QUALITY, PERFORMANCE, MERCHANTABILITY OR FITNESS FOR PURPOSE. Microchip disclaims all liability arising from this information and its use. Use of Microchip devices in life support and/or safety applications is entirely at the buyer's risk, and the buyer agrees to defend, indemnify and hold harmless Microchip from any and all damages, claims, suits, or expenses resulting from such use. No licenses are conveyed, implicitly or otherwise, under any Microchip intellectual property rights.

**Trademarks**

The Microchip name and logo, the Microchip logo, dsPIC, KEELOQ, KEELOQ logo, MPLAB, PIC, PICmicro, PICSTART, PIC<sup>32</sup> logo, rPIC and UNI/O are registered trademarks of Microchip Technology Incorporated in the U.S.A. and other countries.

FilterLab, Hampshire, HI-TECH C, Linear Active Thermistor, MXDEV, MXLAB, SEEVAL and The Embedded Control Solutions Company are registered trademarks of Microchip Technology Incorporated in the U.S.A.

Analog-for-the-Digital Age, Application Maestro, chipKIT, chipKIT logo, CodeGuard, dsPICDEM, dsPICDEM.net, dsPICworks, dsSPEAK, ECAN, ECONOMONITOR, FanSense, HI-TIDE, In-Circuit Serial Programming, ICSP, Mindi, MiWi, MPASM, MPLAB Certified logo, MPLIB, MPLINK, mTouch, Omniscient Code Generation, PICC, PICC-18, PICDEM, PICDEM.net, PICKit, PICtail, REAL ICE, rLAB, Select Mode, Total Endurance, TSHARC, UniWinDriver, WiperLock and ZENA are trademarks of Microchip Technology Incorporated in the U.S.A. and other countries.

SQTP is a service mark of Microchip Technology Incorporated in the U.S.A.

All other trademarks mentioned herein are property of their respective companies.

© 2011, Microchip Technology Incorporated, Printed in the U.S.A., All Rights Reserved.

 Printed on recycled paper.

ISBN: 978-1-61341-503-0

**QUALITY MANAGEMENT SYSTEM**  
**CERTIFIED BY DNV**  
**== ISO/TS 16949:2009 ==**

*Microchip received ISO/TS-16949:2009 certification for its worldwide headquarters, design and wafer fabrication facilities in Chandler and Tempe, Arizona; Gresham, Oregon and design centers in California and India. The Company's quality system processes and procedures are for its PIC<sup>®</sup> MCUs and dsPIC<sup>®</sup> DSCs, KEELOQ<sup>®</sup> code hopping devices, Serial EEPROMs, microperipherals, nonvolatile memory and analog products. In addition, Microchip's quality system for the design and manufacture of development systems is ISO 9001:2000 certified.*



# MICROCHIP

## Worldwide Sales and Service

### AMERICAS

**Corporate Office**  
2355 West Chandler Blvd.  
Chandler, AZ 85224-6199  
Tel: 480-792-7200  
Fax: 480-792-7277  
Technical Support:  
<http://www.microchip.com/support>  
Web Address:  
[www.microchip.com](http://www.microchip.com)

**Atlanta**  
Duluth, GA  
Tel: 678-957-9614  
Fax: 678-957-1455

**Boston**  
Westborough, MA  
Tel: 774-760-0087  
Fax: 774-760-0088

**Chicago**  
Itasca, IL  
Tel: 630-285-0071  
Fax: 630-285-0075

**Cleveland**  
Independence, OH  
Tel: 216-447-0464  
Fax: 216-447-0643

**Dallas**  
Addison, TX  
Tel: 972-818-7423  
Fax: 972-818-2924

**Detroit**  
Farmington Hills, MI  
Tel: 248-538-2250  
Fax: 248-538-2260

**Indianapolis**  
Noblesville, IN  
Tel: 317-773-8323  
Fax: 317-773-5453

**Los Angeles**  
Mission Viejo, CA  
Tel: 949-462-9523  
Fax: 949-462-9608

**Santa Clara**  
Santa Clara, CA  
Tel: 408-961-6444  
Fax: 408-961-6445

**Toronto**  
Mississauga, Ontario,  
Canada  
Tel: 905-673-0699  
Fax: 905-673-6509

### ASIA/PACIFIC

**Asia Pacific Office**  
Suites 3707-14, 37th Floor  
Tower 6, The Gateway  
Harbour City, Kowloon  
Hong Kong  
Tel: 852-2401-1200  
Fax: 852-2401-3431

**Australia - Sydney**  
Tel: 61-2-9868-6733  
Fax: 61-2-9868-6755

**China - Beijing**  
Tel: 86-10-8569-7000  
Fax: 86-10-8528-2104

**China - Chengdu**  
Tel: 86-28-8665-5511  
Fax: 86-28-8665-7889

**China - Chongqing**  
Tel: 86-23-8980-9588  
Fax: 86-23-8980-9500

**China - Hangzhou**  
Tel: 86-571-2819-3187  
Fax: 86-571-2819-3189

**China - Hong Kong SAR**  
Tel: 852-2401-1200  
Fax: 852-2401-3431

**China - Nanjing**  
Tel: 86-25-8473-2460  
Fax: 86-25-8473-2470

**China - Qingdao**  
Tel: 86-532-8502-7355  
Fax: 86-532-8502-7205

**China - Shanghai**  
Tel: 86-21-5407-5533  
Fax: 86-21-5407-5066

**China - Shenyang**  
Tel: 86-24-2334-2829  
Fax: 86-24-2334-2393

**China - Shenzhen**  
Tel: 86-755-8203-2660  
Fax: 86-755-8203-1760

**China - Wuhan**  
Tel: 86-27-5980-5300  
Fax: 86-27-5980-5118

**China - Xian**  
Tel: 86-29-8833-7252  
Fax: 86-29-8833-7256

**China - Xiamen**  
Tel: 86-592-2388138  
Fax: 86-592-2388130

**China - Zhuhai**  
Tel: 86-756-3210040  
Fax: 86-756-3210049

### ASIA/PACIFIC

**India - Bangalore**  
Tel: 91-80-3090-4444  
Fax: 91-80-3090-4123

**India - New Delhi**  
Tel: 91-11-4160-8631  
Fax: 91-11-4160-8632

**India - Pune**  
Tel: 91-20-2566-1512  
Fax: 91-20-2566-1513

**Japan - Yokohama**  
Tel: 81-45-471- 6166  
Fax: 81-45-471-6122

**Korea - Daegu**  
Tel: 82-53-744-4301  
Fax: 82-53-744-4302

**Korea - Seoul**  
Tel: 82-2-554-7200  
Fax: 82-2-558-5932 or  
82-2-558-5934

**Malaysia - Kuala Lumpur**  
Tel: 60-3-6201-9857  
Fax: 60-3-6201-9859

**Malaysia - Penang**  
Tel: 60-4-227-8870  
Fax: 60-4-227-4068

**Philippines - Manila**  
Tel: 63-2-634-9065  
Fax: 63-2-634-9069

**Singapore**  
Tel: 65-6334-8870  
Fax: 65-6334-8850

**Taiwan - Hsin Chu**  
Tel: 886-3-5778-366  
Fax: 886-3-5770-955

**Taiwan - Kaohsiung**  
Tel: 886-7-536-4818  
Fax: 886-7-330-9305

**Taiwan - Taipei**  
Tel: 886-2-2500-6610  
Fax: 886-2-2508-0102

**Thailand - Bangkok**  
Tel: 66-2-694-1351  
Fax: 66-2-694-1350

### EUROPE

**Austria - Wels**  
Tel: 43-7242-2244-39  
Fax: 43-7242-2244-393

**Denmark - Copenhagen**  
Tel: 45-4450-2828  
Fax: 45-4485-2829

**France - Paris**  
Tel: 33-1-69-53-63-20  
Fax: 33-1-69-30-90-79

**Germany - Munich**  
Tel: 49-89-627-144-0  
Fax: 49-89-627-144-44

**Italy - Milan**  
Tel: 39-0331-742611  
Fax: 39-0331-466781

**Netherlands - Drunen**  
Tel: 31-416-690399  
Fax: 31-416-690340

**Spain - Madrid**  
Tel: 34-91-708-08-90  
Fax: 34-91-708-08-91

**UK - Wokingham**  
Tel: 44-118-921-5869  
Fax: 44-118-921-5820

08/02/11



Компания «ЭлектроПласт» предлагает заключение долгосрочных отношений при поставках импортных электронных компонентов на взаимовыгодных условиях!

Наши преимущества:

- Оперативные поставки широкого спектра электронных компонентов отечественного и импортного производства напрямую от производителей и с крупнейших мировых складов;
- Поставка более 17-ти миллионов наименований электронных компонентов;
- Поставка сложных, дефицитных, либо снятых с производства позиций;
- Оперативные сроки поставки под заказ (от 5 рабочих дней);
- Экспресс доставка в любую точку России;
- Техническая поддержка проекта, помощь в подборе аналогов, поставка прототипов;
- Система менеджмента качества сертифицирована по Международному стандарту ISO 9001;
- Лицензия ФСБ на осуществление работ с использованием сведений, составляющих государственную тайну;
- Поставка специализированных компонентов (Xilinx, Altera, Analog Devices, Intersil, Interpoint, Microsemi, Aeroflex, Peregrine, Syfer, Eurofarad, Texas Instrument, Miteq, Cobham, E2V, MA-COM, Hittite, Mini-Circuits, General Dynamics и др.);

Помимо этого, одним из направлений компании «ЭлектроПласт» является направление «Источники питания». Мы предлагаем Вам помощь Конструкторского отдела:

- Подбор оптимального решения, техническое обоснование при выборе компонента;
- Подбор аналогов;
- Консультации по применению компонента;
- Поставка образцов и прототипов;
- Техническая поддержка проекта;
- Защита от снятия компонента с производства.



#### Как с нами связаться

**Телефон:** 8 (812) 309 58 32 (многоканальный)

**Факс:** 8 (812) 320-02-42

**Электронная почта:** [org@eplast1.ru](mailto:org@eplast1.ru)

**Адрес:** 198099, г. Санкт-Петербург, ул. Калинина, дом 2, корпус 4, литера А.