

18 Watt

- Energy Efficiency Level VI
- European CoC Tier 2
- Medical and ITE Approvals
- Interchangeable Mains Connectors
- Optional White Versions
- Output Voltages from 5 V to 24 V
- Class II Construction
- 3 Years Warranty



The ACM18 series of wall plug adaptors comply with the latest energy efficiency level VI standards with high active mode efficiency and extremely low no load power consumption. Available with a standard jack plug connector these adaptors suit a wide variety of cost sensitive industrial and medical applications while maintaining industry leading performance.

Dimensions:

ACM (body only):

3.46 x 1.18 x 1.95" (88.0 x 30.0 x 49.5 mm)

Models & Ratings

| Output Power | Output Voltage | Output Current | Total Regulation ⁽³⁾ | Efficiency ⁽⁴⁾ | Model Number ^(1,2,5) |
|--------------|----------------|----------------|---------------------------------|---------------------------|---------------------------------|
| 12.5 W | 5.0V | 2500 mA | 5% | 82.5% | ACM18US05 |
| 18.0 W | 9.0V | 2000 mA | 5% | 86.7% | ACM18US09 |
| | 12.0V | 1500 mA | 5% | 87.5% | ACM18US12 |
| | 15.0V | 1250 mA | 5% | 87.5% | ACM18US15 |
| | 18.0V | 1000 mA | 5% | 87.5% | ACM18US18 |
| | 24.0V | 750 mA | 5% | 87.5% | ACM18US24 |

Notes

1. Model number is for body only. AC input plugs must be ordered separately, see AC input plug section.
2. Other output voltages available, contact sales for details.
3. Total regulation includes initial set accuracy, line and load regulation.

4. Typical average value measured at 115 VAC.
5. For white case version add suffix '-W' e.g. ACM18US12-W. MOQ applies, contact sales for details.

Input

| Characteristic | Minimum | Typical | Maximum | Units | Notes & Conditions |
|---------------------|--|---------|---------|-------|------------------------------|
| Input Voltage | 90 | | 264 | VAC | |
| Input Frequency | 47 | | 63 | Hz | |
| Input Current | | | 0.21 | A | 230 VAC |
| Inrush Current | | | 70 | A | 240 VAC, cold start at 25 °C |
| Power Factor | | | | | EN61000-3-2, class A |
| No Load Input Power | | | 75 | mW | |
| Input Protection | Internal fuse in both line and neutral | | | | |

Output

| Characteristic | Minimum | Typical | Maximum | Units | Notes & Conditions |
|--------------------------|---------|---------|---------|-------------|---|
| Output Voltage | 5 | | 24 | V | See Models and Ratings table |
| Minimum Load | 0 | | | A | No minimum load required |
| Start Up Delay | | | 4 | s | |
| Start Up Rise Time | | 30 | | ms | |
| Hold Up Time | 10 | | | ms | Full load and 100 VAC |
| Total Regulation | | | 5 | % | See Models and Ratings table |
| Transient Response | | | 4 | % deviation | Recovery within <1% within 500 µs for a 60% step load change at 0.15 A/µs |
| Ripple & Noise | | | 150 | mV pk-pk | Measured with 20 MHz bandwidth and 10 µF electrolytic in parallel with 0.1 µF ceramic capacitor |
| Short Circuit Protection | | | | | Continuous, trip and restart (hiccup mode) with auto recovery |
| Temperature Coefficient | | | 0.05 | %/°C | |

General

| Characteristic | Minimum | Typical | Maximum | Units | Notes & Conditions |
|---------------------------|---------|------------|---------|--------|---|
| Efficiency | | 87 | | % | Typical average of efficiencies measured at 25%, 50%, 75% and 100% load and 115 VAC input |
| Energy Efficiency | | | | | Level VI |
| Isolation | 4000 | | | VAC | Input to Output, 2 x MOPP |
| Leakage Current | | 30 | 100 | µA | At 264 VAC, 60 Hz, from output to ground |
| Switching Frequency | 24 | | 70 | kHz | Variable |
| Mean Time Between Failure | 250 | | | kHrs | MIL-HDBK-217F at 25 °C GB |
| Weight | | 0.35 (160) | | lb (g) | Body only |

Environmental

| Characteristic | Minimum | Typical | Maximum | Units | Notes & Conditions |
|-----------------------|---------|---------|---------|-------|---|
| Operating Temperature | 0 | | +60 | °C | Derate from 100% load at 40 °C to 50% load at 60 °C |
| Storage Temperature | -20 | | +85 | °C | |
| Operating Humidity | 5 | | 90 | % | RH, non-condensing |
| Operating Altitude | | | 5000 | m | |
| Cooling | | | | | Natural convection |
| Shock | | | | | 1 m drop onto concrete on each of 6 axes, non operating |
| Vibration | 10 | | 300 | Hz | 2 g, 0.3 decades/min, 15 mins for each of 3 axes |

EMC: Emissions

| Phenomenon | Standard | Test Level | Notes & Conditions |
|------------------|-------------|------------|--------------------|
| Conducted | EN55032 | Level B | |
| Radiated | EN55032 | Level B | |
| Harmonic Current | EN61000-3-2 | Class A | |
| Voltage Flicker | EN61000-3-3 | | |

EMC: Immunity

| Phenomenon | Standard | Test Level | Criteria | Notes & Conditions |
|------------------------|--------------|---------------------------|----------|--------------------|
| Medical Device EMC | IEC60601-1-2 | Ed.4.0 : 2014 | as below | |
| Low Voltage PSU EMC | EN61204-3 | High severity level | as below | |
| ESD Immunity | EN61000-4-2 | ±8 kV contact, ±15 kV air | A | |
| Radiated Immunity | EN61000-4-3 | 10 V/m | A | |
| EFT/Burst | EN61000-4-4 | Level 3 | A | |
| Surge | EN61000-4-5 | Level 2 | A | |
| Conducted Immunity | EN61000-4-6 | 6 V | A | |
| Magnetic Fields | EN61000-4-8 | 30 A/m | A | |
| Dips and Interruptions | EN61000-4-11 | Dip: 100% 10 ms | A | |
| | | Dip: 70% 500 ms | B | |
| | | Int: 100% 5000 ms | B | |
| | EN60601-1-2 | Dip: 30% 25 AC Cycles | A | At 8 angles |
| | | Int: 100% 0.5 AC Cycle | A | |
| | | Int: 100% 1 AC Cycle | B | |
| | | Int.: >95% 5000 ms | B | |

Safety Approvals

| Safety Agency | Safety Standard | Notes & Conditions |
|---------------|--|------------------------|
| UL | UL60950-1, UL62368-1 | Information Technology |
| TUV | EN60950-1, EN62368-1 | |
| CB | IEC60950-1, IEC62368-1 | |
| CE | LVD | |
| CCC | China Compulsory Certification, GB4943 | |
| AU/NZ | AU/NZ 60950.1 | |
| UL | ANSI/AAMI ES 60601-1 | Medical, 2 x MOPP |
| CSA | CSA C22.2 No. 60601 | |
| TUV | EN60601-1 | |
| CB | IEC60601-1 | |

Mechanical Details

ACM18USXX



AC Input Plugs

Black UK Plug: ACM PLUG UK
White UK Plug: ACM PLUG UK W

Black USA Plug: ACM PLUG US
White USA Plug: ACM PLUG US W

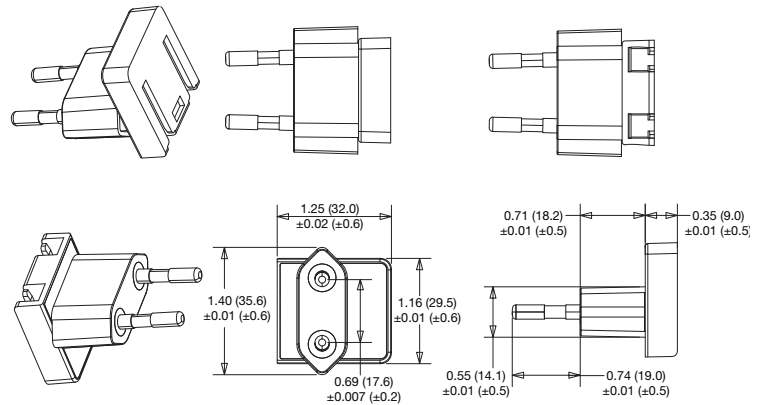


AC Input Plugs

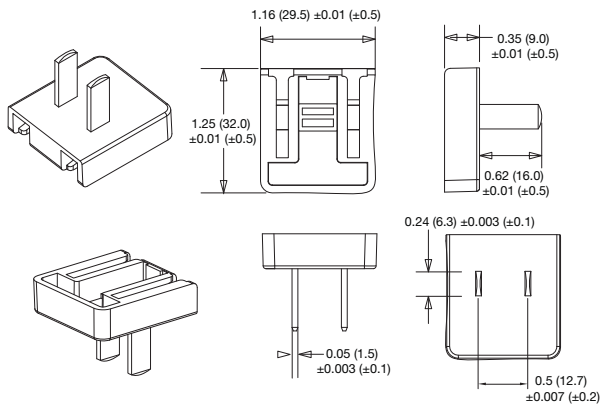
Black Australian Plug: ACM PLUG AU
White Australian Plug: ACM PLUG AU W



Black European Plug: ACM PLUG EU
White European Plug: ACM PLUG EU W



Black China Plug: ACM PLUG CN
White China Plug: ACM PLUG CN W





Компания «ЭлектроПласт» предлагает заключение долгосрочных отношений при поставках импортных электронных компонентов на взаимовыгодных условиях!

Наши преимущества:

- Оперативные поставки широкого спектра электронных компонентов отечественного и импортного производства напрямую от производителей и с крупнейших мировых складов;
- Поставка более 17-ти миллионов наименований электронных компонентов;
- Поставка сложных, дефицитных, либо снятых с производства позиций;
- Оперативные сроки поставки под заказ (от 5 рабочих дней);
- Экспресс доставка в любую точку России;
- Техническая поддержка проекта, помощь в подборе аналогов, поставка прототипов;
- Система менеджмента качества сертифицирована по Международному стандарту ISO 9001;
- Лицензия ФСБ на осуществление работ с использованием сведений, составляющих государственную тайну;
- Поставка специализированных компонентов (Xilinx, Altera, Analog Devices, Intersil, Interpoint, Microsemi, Aeroflex, Peregrine, Syfer, Eurofarad, Texas Instrument, Miteq, Cobham, E2V, MA-COM, Hittite, Mini-Circuits, General Dynamics и др.);

Помимо этого, одним из направлений компании «ЭлектроПласт» является направление «Источники питания». Мы предлагаем Вам помощь Конструкторского отдела:

- Подбор оптимального решения, техническое обоснование при выборе компонента;
- Подбор аналогов;
- Консультации по применению компонента;
- Поставка образцов и прототипов;
- Техническая поддержка проекта;
- Защита от снятия компонента с производства.



Как с нами связаться

Телефон: 8 (812) 309 58 32 (многоканальный)

Факс: 8 (812) 320-02-42

Электронная почта: org@eplast1.ru

Адрес: 198099, г. Санкт-Петербург, ул. Калинина, дом 2, корпус 4, литера А.