

Octal channel high-side driver

Datasheet - production data


Description

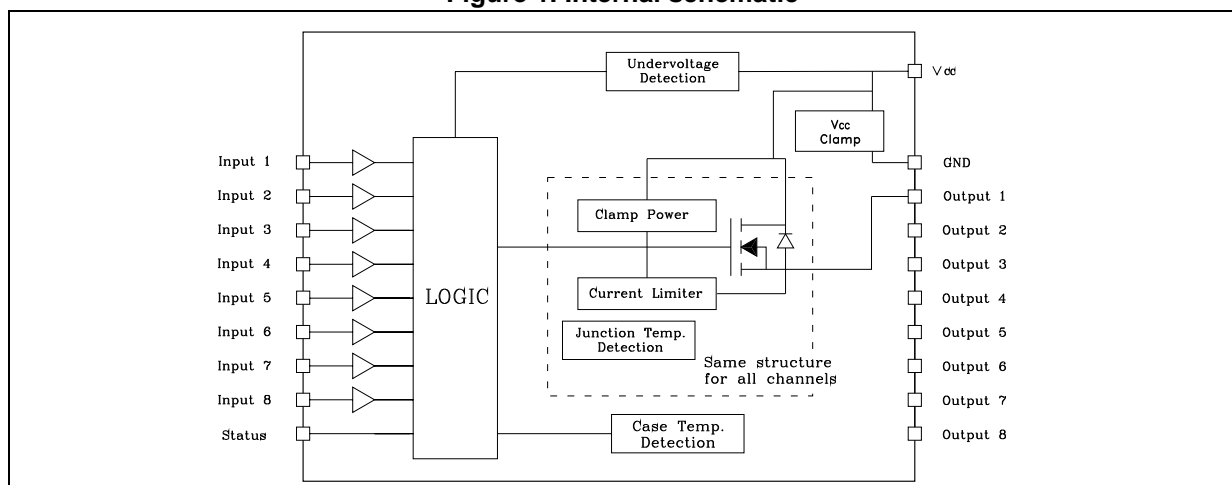
The VN808CM-32-E is a monolithic device designed in STMicroelectronics VIPower M0-3 technology, intended to drive any kind of load with one side connected to ground. It can be driven by using a 3.3 V logic supply.

Features

Type	$R_{DS(on)}$	I_{OUT}	V_{CC}
VN808CM-32-E	160 m Ω	1 A	45 V

- CMOS compatible input
- Junction overtemperature protection
- Case overtemperature protection for thermal independence of the channels
- Current limitation
- Shorted load protection
- Undervoltage shutdown
- Protection against loss of ground
- Very low standby current
- Compliance to 61000-4-4 IEC test up to 4 kV

Active current limitation combined with thermal shutdown and automatic restart, protect the device against overload. In overload conditions, the channel turns OFF and ON again automatically so to maintain the junction temperature between T_{TSD} and T_R . If this condition makes case temperature reach T_{CSD} , overloaded channel is turned OFF and ON if the case temperature decreases down to T_{CR} . Non-overloaded channels continue to operate normally. The device automatically turns OFF in case of ground pin disconnection. This device is especially suitable for industrial applications conform to IEC 61131.

Figure 1. Internal schematic


Contents

1	Maximum ratings	3
2	Electrical characteristics	4
3	Pin connections	6
4	Current, voltage conventions and truth table	8
5	Switching time waveforms	9
6	Reverse polarity protection	12
7	Package mechanical data	13
	7.1 Footprint recommended data	15
	7.2 Tube shipment information	16
	7.3 Tape and reel shipment information	17
8	Ordering information	20
9	Revision history	21

1 Maximum ratings

Table 1. Absolute maximum ratings

Symbol	Parameter	Value	Unit
V_{CC}	DC supply voltage	45	V
$-I_{GND}$	DC ground pin reverse current TRAN ground pin reverse current (pulse duration < 1 ms)	-250 -6	mA A
V_{IN}	Digital voltage on input pin	5.5	V
I_{OUT}	DC output current	Internally limited	A
$-I_{OUT}$	Reverse DC output current	-2	A
I_{IN}	DC input current	± 10	mA
V_{ESD}	Electrostatic discharge (R = 1.5 k Ω ; C = 100 pF)	2000	V
P_{TOT}	Power dissipation at $T_C = 25\text{ }^\circ\text{C}$	96	W
EAS	Single pulse avalanche energy per channel 8 channels driven simultaneously ($T_{AMB} = 125\text{ }^\circ\text{C}$, $I_{OUT} = 0.6\text{ A}$ per channel)	1.15	J
T_J	Junction operating temperature	Internally limited	$^\circ\text{C}$
T_C	Case operating temperature	Internally limited	$^\circ\text{C}$
T_{STG}	Storage temperature	-40 to 150	$^\circ\text{C}$

Table 2. Thermal data

Symbol	Parameter	Value	Unit
$R_{th(JC)}$	Thermal resistance junction-case	Max. 1.3	$^\circ\text{C/W}$
$R_{th(JA)}$	Thermal resistance junction-ambient ⁽¹⁾	Max. 50	$^\circ\text{C/W}$

1. When mounted on FR4 printed circuit board with 0.5 cm² of copper area (at least 35 μm thick) connected to all TAB pins.

2 Electrical characteristics

($10.5\text{ V} < V_{CC} < 32\text{ V}$; $-40\text{ }^{\circ}\text{C} < T_J < 125\text{ }^{\circ}\text{C}$; unless otherwise specified)

Table 3. Power section

Symbol	Parameter	Test conditions	Min.	Typ.	Max.	Unit
V_{CC}	Operating supply voltage		10.5		45	V
V_{USD}	Undervoltage shutdown		7		10.5	V
R_{ON}	On-state resistance	$I_{OUT} = 0.5\text{ A}$; $T_J = 25\text{ }^{\circ}\text{C}$ $I_{OUT} = 0.5\text{ A}$; $T_J = 125\text{ }^{\circ}\text{C}$			160 280	$\text{m}\Omega$ $\text{m}\Omega$
I_S	Supply current	Off-state; $V_{CC} = 24\text{ V}$; $T_{CASE} = 25\text{ }^{\circ}\text{C}$ On-state (all channels ON); $V_{CC} = 24\text{ V}$, $T_{CASE} = 100\text{ }^{\circ}\text{C}$			150 12	μA mA
I_{LGND}	Output current at turn-off	$V_{CC} = V_{STAT} = V_{IN} = V_{GND} = 24\text{ V}$ $V_{OUT} = 0\text{ V}$			1	mA
$I_{L(off)}$	Off-state output current	$V_{IN} = V_{OUT} = 0\text{ V}$	0		5	μA
$V_{OUT(off)}$	Off-state output voltage	$V_{IN} = 0\text{ V}$, $I_{OUT} = 0\text{ A}$			3	V
$t_{d(V_{CCon})}$	Power-on delay time from V_{CC} rising edge	Figure 8 on page 12		1		ms

Table 4. Switching ($V_{CC} = 24\text{ V}$)

Symbol	Parameter	Test conditions	Min.	Typ.	Max.	Unit
t_{ON}	Turn-on time	$R_L = 48\ \Omega$ from 80% V_{OUT} (see Figure 4)	-	50	100	μs
t_{OFF}	Turn-off time	$R_L = 48\ \Omega$ to 10% V_{OUT} (see Figure 4)	-	75	150	μs
$dV_{OUT}/dt(on)$	Turn-on voltage slope	$R_L = 48\ \Omega$ from $V_{OUT} = 2.4\text{ V}$ to $V_{OUT} = 19.2\text{ V}$ (see Figure 4)	-	0.7		$\text{V}/\mu\text{s}$
$dV_{OUT}/dt(off)$	Turn-off voltage slope	$R_L = 48\ \Omega$ from $V_{OUT} = 21.6\text{ V}$ to $V_{OUT} = 2.4\text{ V}$ (see Figure 4)	-	1.5		$\text{V}/\mu\text{s}$

Table 5. Input pin

Symbol	Parameter	Test conditions	Min.	Typ.	Max.	Unit
V_{INL}	Input low level				1.25	V
I_{INL}	Low level input current	$V_{IN} = 1.25\text{ V}$	1			μA
V_{INH}	Input high level		2.25			V
I_{INH}	High level input current	$V_{IN} = 2.25\text{ V}$			10	μA
$V_{I(HYST)}$	Input hysteresis voltage		0.25			V
V_{ICL}	Input clamp voltage	$I_{IN} = 1\text{ mA}$ $I_{IN} = -1\text{ mA}$	6.0	6.8 -0.7	8.0	V V

Table 6. Protections

Symbol	Parameter	Test conditions	Min.	Typ.	Max.	Unit
T_{CSD}	Case shutdown temperature		125	130	135	$^{\circ}\text{C}$
T_{CR}	Case reset temperature		110			$^{\circ}\text{C}$
T_{CHYST}	Case thermal hysteresis		7	15		$^{\circ}\text{C}$
T_{TSD}	Junction shutdown temperature		150	175	200	$^{\circ}\text{C}$
T_R	Junction reset temperature		135			$^{\circ}\text{C}$
T_{HYST}	Junction thermal hysteresis		7	15		$^{\circ}\text{C}$
I_{lim}	DC short-circuit current	$V_{CC} = 24\text{ V}$; $R_{LOAD} = 10\text{ m}\Omega$	1		1.7	A
V_{demag}	Turn-off output clamp voltage	$I_{OUT} = 0.5\text{ A}$; $L = 6\text{ mH}$	$V_{CC}-57$	$V_{CC}-52$	$V_{CC}-47$	V

Table 7. Status pin

Symbol	Parameter	Test conditions	Min.	Typ.	Max.	Unit
I_{HSTAT}	High level output current	$V_{CC} = 18\text{ to }32\text{ V}$; $R_{STAT} = 1\text{ k}\Omega$ (Fault condition)	2	3	4	mA
I_{LSTAT}	Leakage current	Normal operation; $V_{CC} = 32\text{ V}$			0.1	μA
V_{CLSTAT}	Clamp voltage	$I_{STAT} = 1\text{ mA}$ $I_{STAT} = -1\text{ mA}$	6.0	6.8 -0.7	8.0	V V

3 Pin connections

Figure 2. Connection diagram (top view)



Table 8. Pin functions

Pin	Symbol	Function
TAB	V _{CC}	Positive power supply voltage
1	V _{CC}	Positive power supply voltage
2,3,4,5	NC	Not connected
6	Input 1	Input of channel 1
7	Input 2	Input of channel 2
8	Input 3	Input of channel 3
9	Input 4	Input of channel 4
10	Input 5	Input of channel 5
11	Input 6	Input of channel 6
12	Input 7	Input of channel 7
13	Input 8	Input of channel 8
14,15,16,17,18	NC	Not connected
19	GND	Logic ground
20	STATUS	Common open source diagnostic for overtemperature
21,22	Output 8	High-side output of channel 8
23,24	Output 7	High-side output of channel 7
25,26	Output 6	High-side output of channel 6

Table 8. Pin functions (continued)

Pin	Symbol	Function
27,28	Output 5	High-side output of channel 5
29,30	Output 4	High-side output of channel 4
31,32	Output 3	High-side output of channel 3
33,34	Output 2	High-side output of channel 2
35,36	Output 1	High-side output of channel 1

4 Current, voltage conventions and truth table

Figure 3. Current and voltage conventions

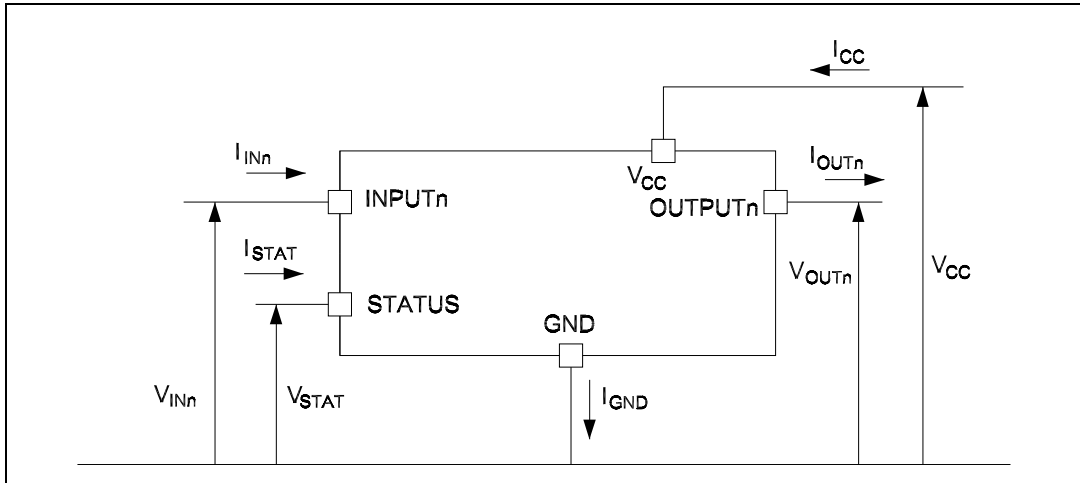


Table 9. Truth table

Conditions	INPUTn	OUTPUTn	STATUS
Normal operation	L	L	L
	H	H	L
Current limitation	L	L	L
	H	X	L
Overtemperature (see waveforms 3, 4 Figure 6) -> $T_J > T_{TSD}$	L	L	L
	H	L	H
Undervoltage	L	L	X
	H	L	X

5 Switching time waveforms

Figure 4. Turn-ON and turn-OFF

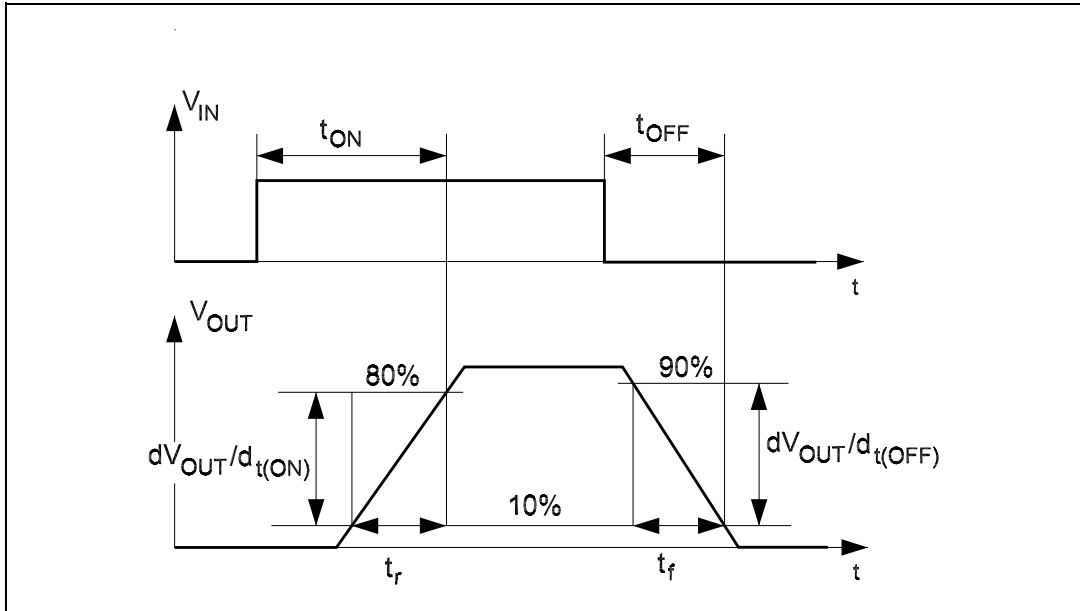


Figure 5. V_{CC} turn-ON

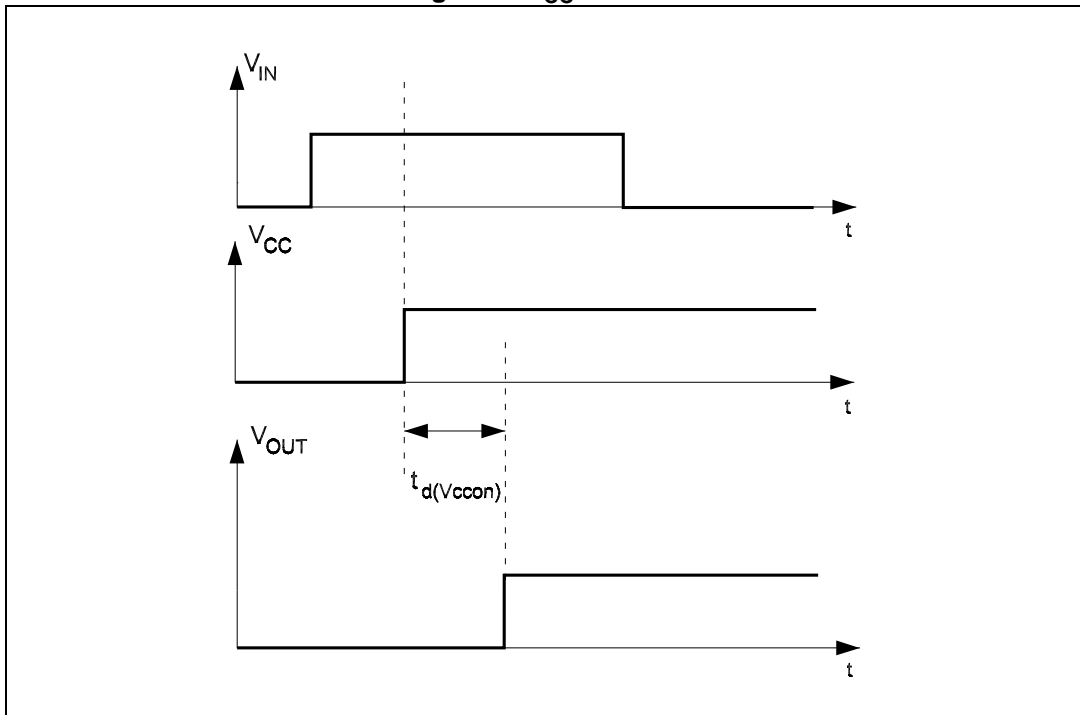


Figure 6. Waveforms

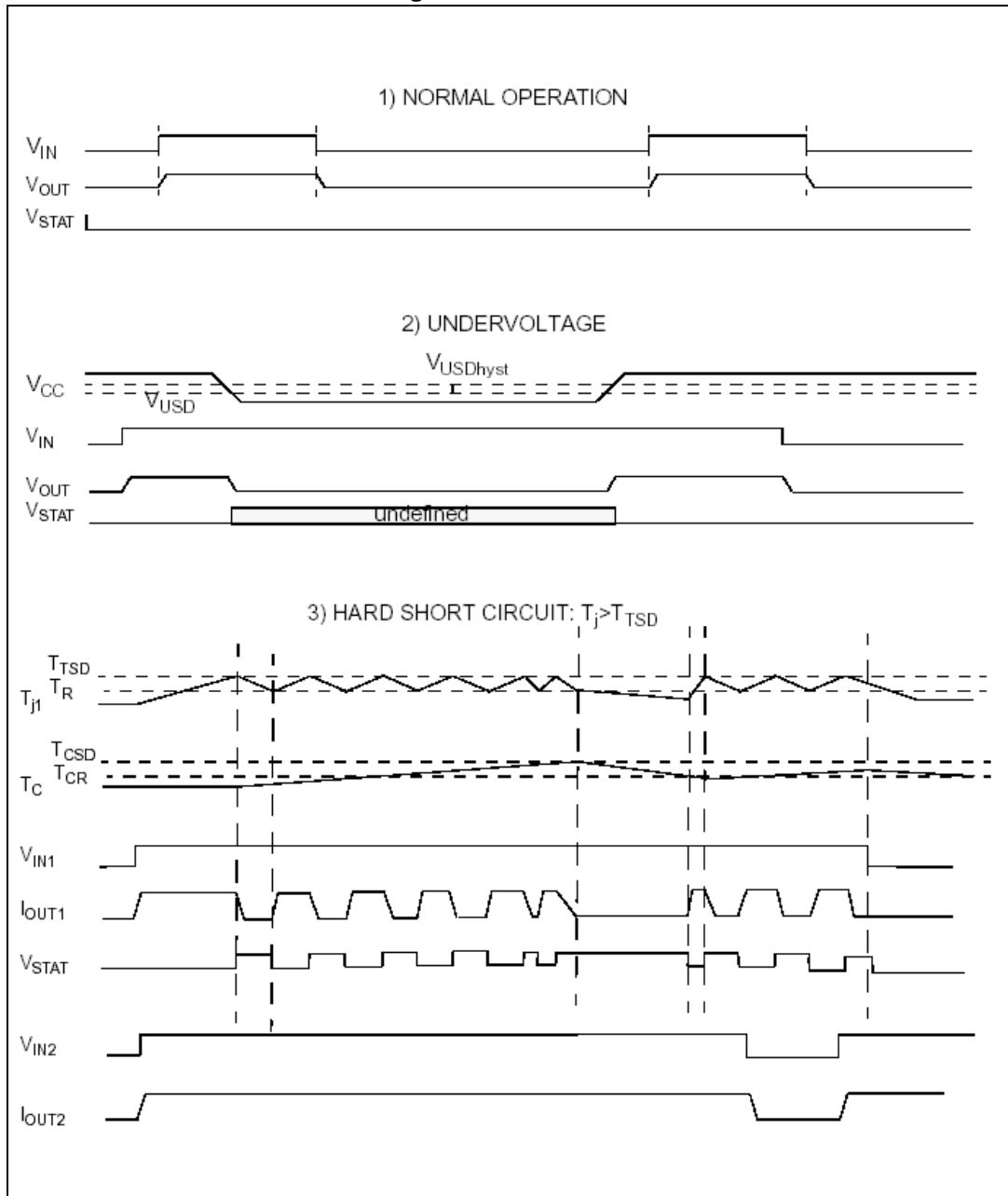
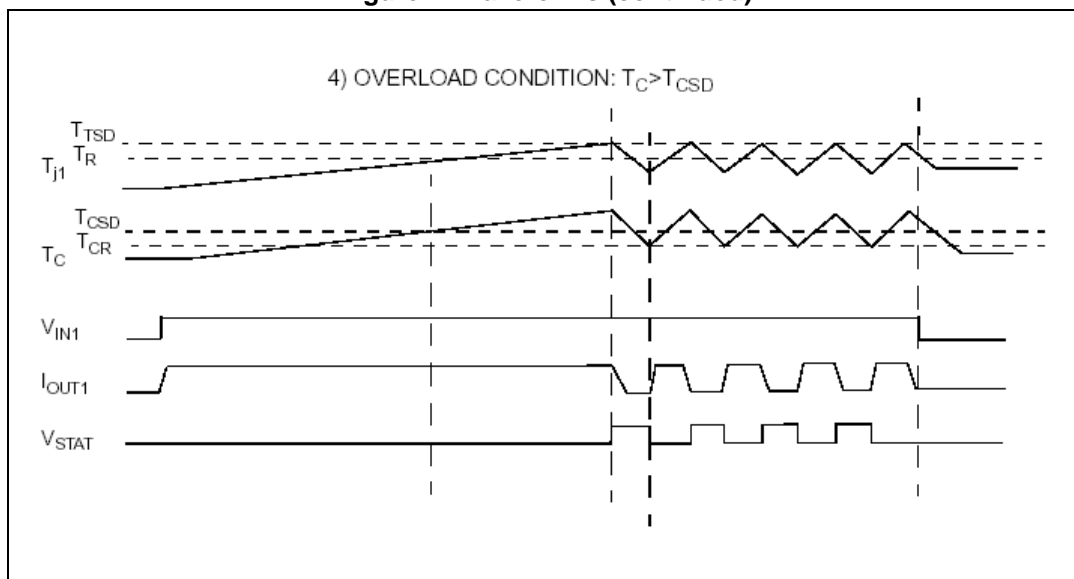


Figure 7. Waveforms (continued)



6 Reverse polarity protection

Reverse polarity protection can be implemented on board using two different solutions:

1. Placing a resistor (R_{GND}) between IC GND pin and load GND
2. Placing a diode between IC GND pin and load GND

If option 1 is selected, the minimum resistance value has to be selected according to the following equation:

Equation 1

$$R_{GND} \geq V_{CC}/I_{GND}$$

where I_{GND} is the DC reverse ground pin current and can be found in [Section 1: Maximum ratings](#) of this datasheet.

Power dissipated by R_{GND} (when $V_{CC} < 0$: during reverse polarity situations) is:

Equation 2

$$P_D = (V_{CC})^2/R_{GND}$$

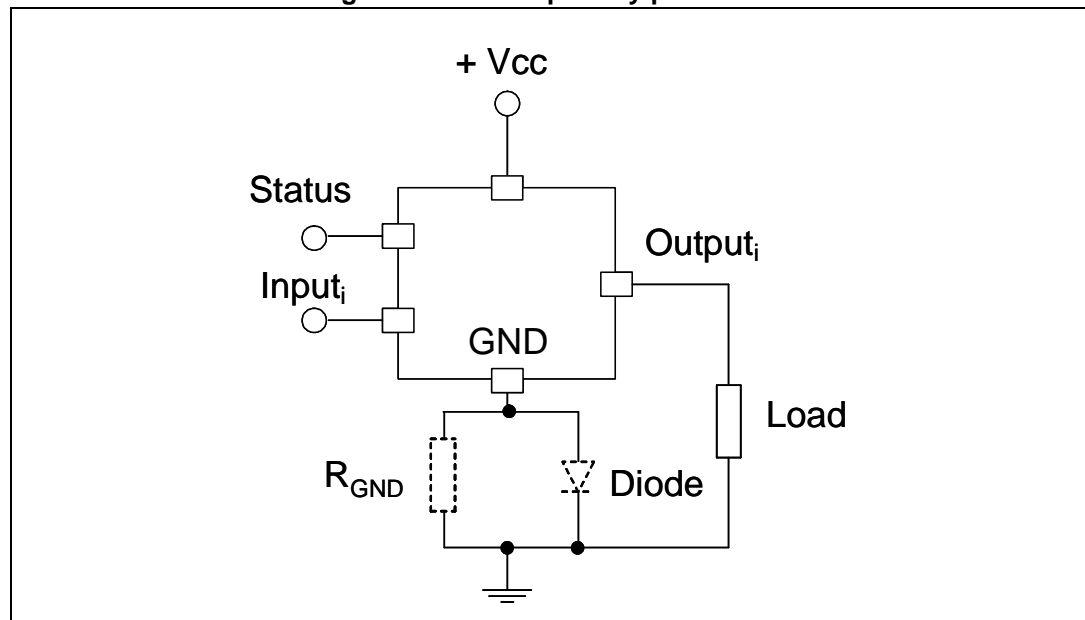
If option 2 is selected, the diode has to be chosen by taking into account $VRRM > |V_{CC}|$ and its power dissipation capability:

Equation 3

$$P_D \geq I_S * V_f$$

Note: In normal conditions (no reverse polarity) due to the diode, there is a voltage drop between GND of the device and GND of the system.

Figure 8. Reverse polarity protection



This schematic can be used with any type of load.

7 Package mechanical data

In order to meet environmental requirements, ST offers these devices in different grades of ECOPACK® packages, depending on their level of environmental compliance. ECOPACK® specifications, grade definitions and product status are available at: www.st.com. ECOPACK is an ST trademark.

Figure 9. PowerSO-36 drawings

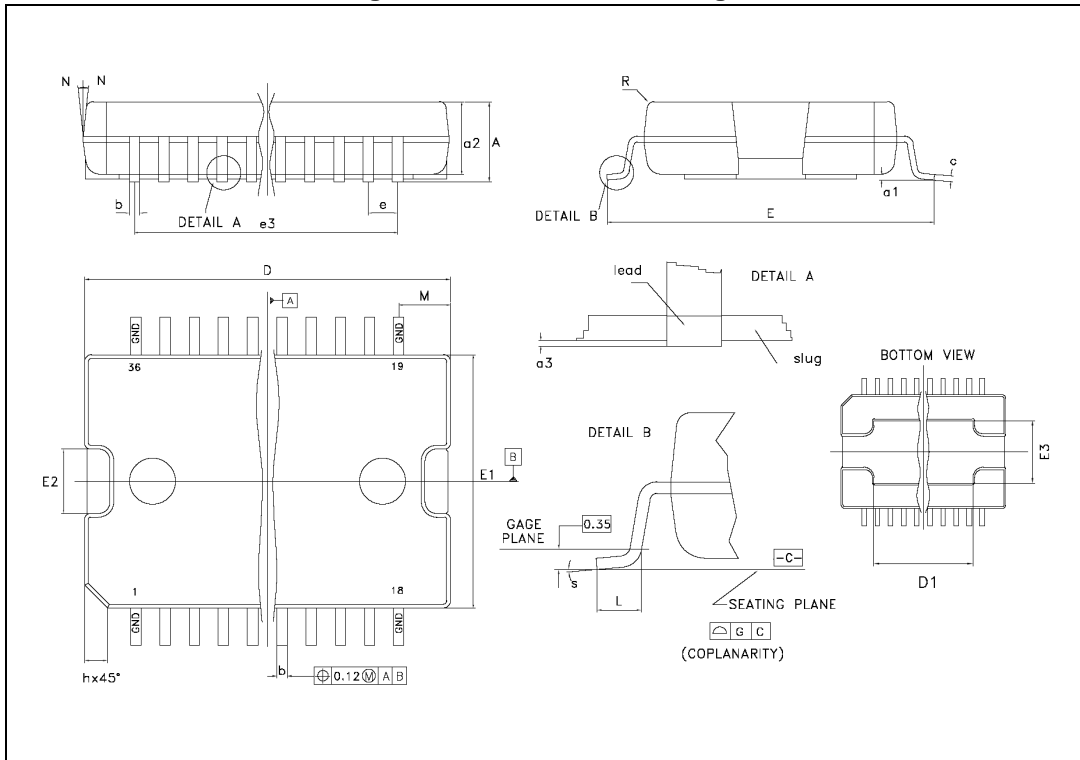


Table 10. PowerSO-36 mechanical data

Dim.	mm		
	Min.	Typ.	Max.
A			3.60
a1	0.10		0.30
a2			3.30
a3	0		0.10
b	0.22		0.38
c	0.23		0.32
D (1)	15.80		16.00
D1	9.40		9.80
E	13.90		14.50
E1 (1)	10.90		11.10
E2			2.90
E3	5.8		6.2
e		0.65	
e3		11.05	
G	0		0.10
H	15.50		15.90
h			1.10
L	0.80		1.10
N			10°
S	0°		8°

7.1 Footprint recommended data

Figure 10. Footprint recommended data

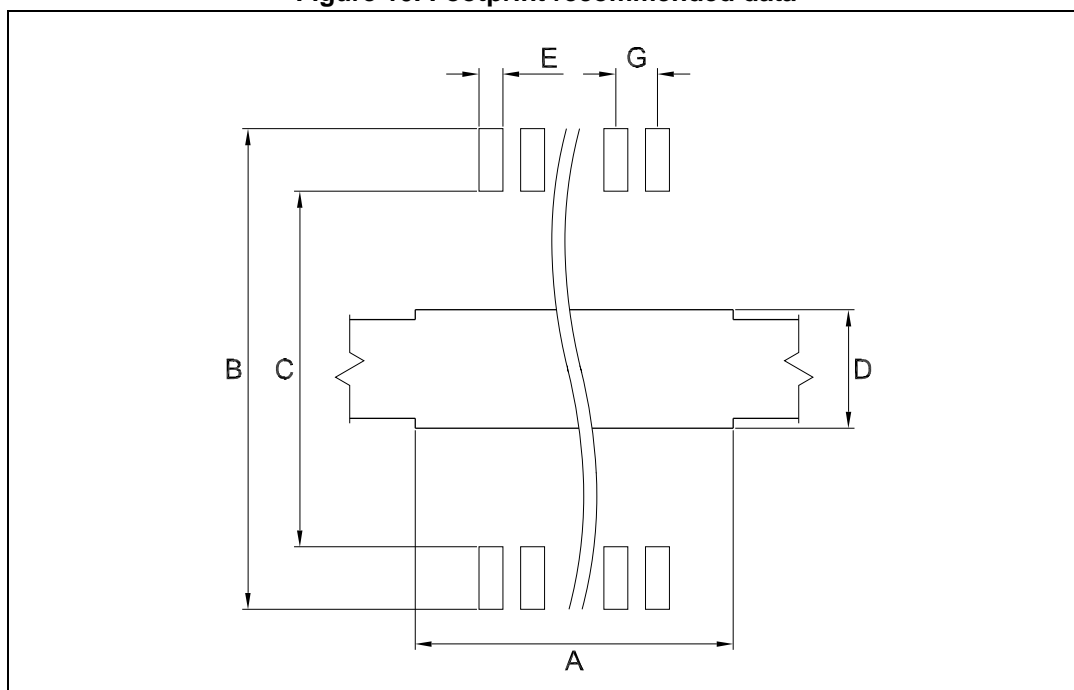


Table 11. Footprint data

Dim.	mm
A	9.5
B	14.7-15.0
C	12.5-12.7
D	6.3
E	0.42
G	0.65

7.2 Tube shipment information

Figure 11. Tube shipment information

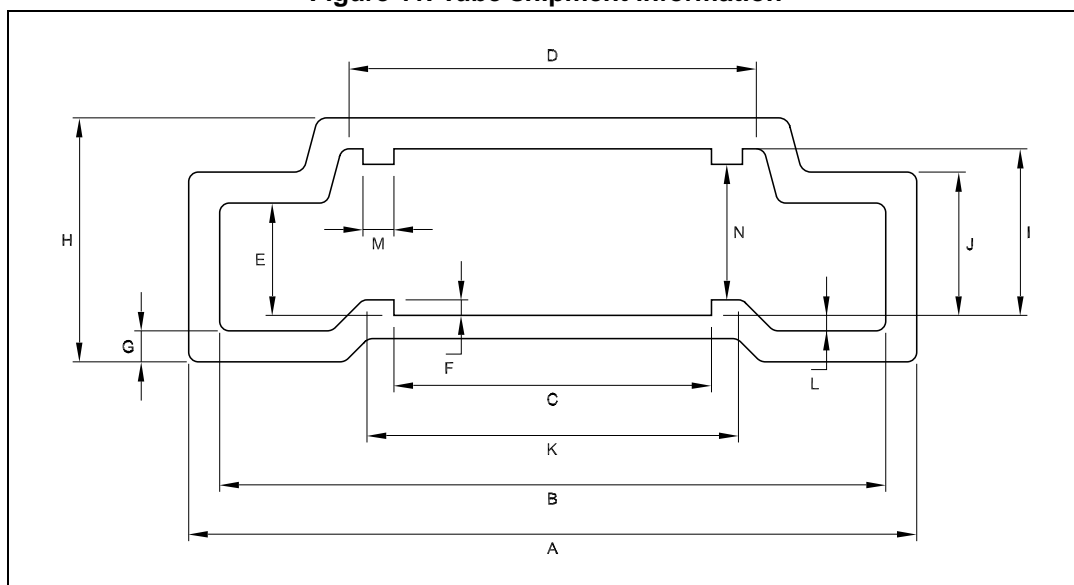


Table 12. Tube mechanical data

Dim.	mm
A	18.80
B	17.2 ±0.2
C	8.20 ±0.2
D	10.90 ±0.2
E	2.90 ±0.2
F	0.40
G	0.80
H	6.30
I	4.30 ±0.2
J	3.7 ±0.2
K	9.4
L	0.40
M	0.80
N	3.50 ±0.2

Base quantity 31 pcs

Bulk quantity 310 pcs

7.3 Tape and reel shipment information

Figure 12. Tape specifications

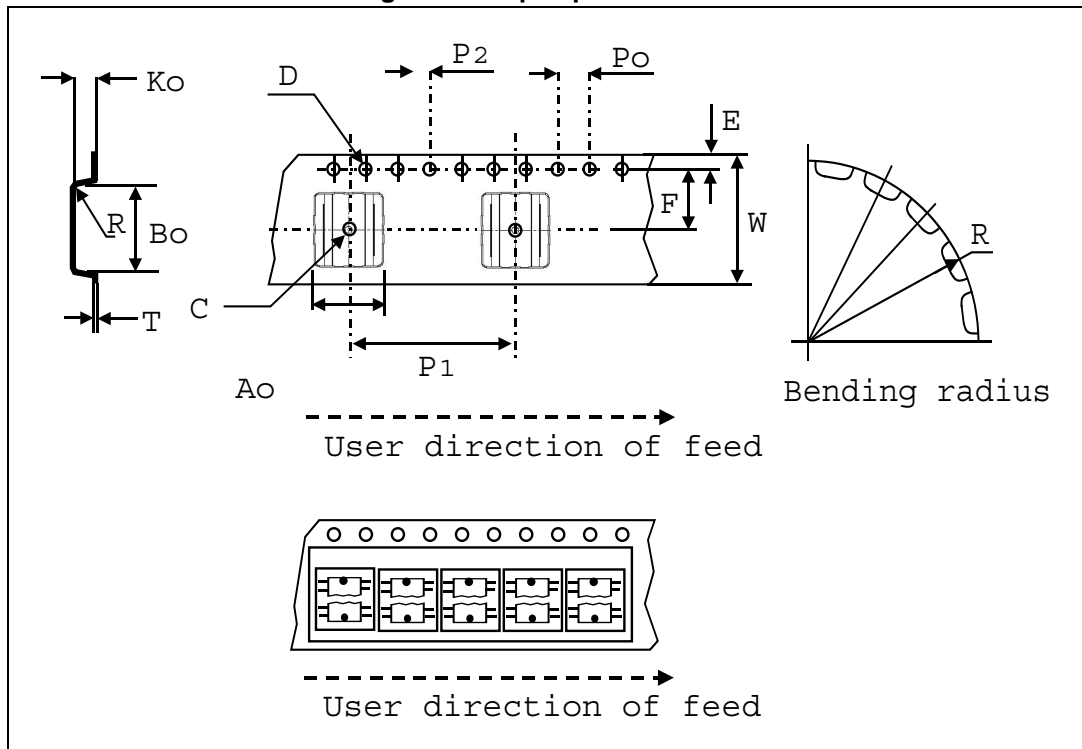


Table 13. Tape mechanical data

Dim.	mm
D	1.50 + 0.1/0
E	1.75 ± 0.1
Po	4.00 ± 0.1
T max.	0.40
D1 min.	1.50
F	11.5 ± 0.05
K max.	6.50
P2	2.00 ± 0.1
R	50
W	24.00 ± 0.30
P1	24.00
Ao, Bo, Ko	0.05 min. to 1.0 max.

Base quantity 600 pcs

Bulk quantity 600 pcs

Figure 13. Reel specifications

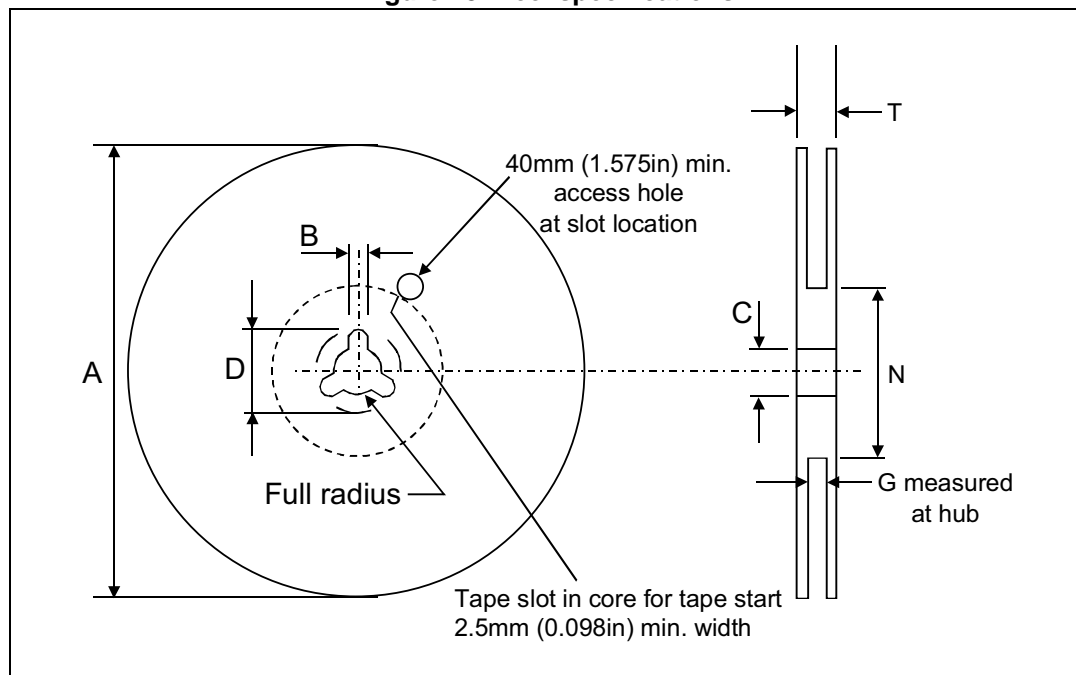


Table 14. Reel mechanical data

Dim.	mm
Tape size	24.0 ± 0.30
A max.	330.0
B min.	1.5
C	13.0 ± 0.20
D min.	20.2
N min.	60
G	24.4 +2/-0
T max.	30.4

8 Ordering information

Table 15. Order code

Order code	Package	Packaging
VN808CM-32-E	PowerSO-36	Tube
VN808CMTR-32-E	PowerSO-36	Tape and reel

9 Revision history

Table 16. Document revision history

Date	Revision	Changes
28-Jun-2006	1	Initial release
07-Aug-2008	2	Added Section 7 on page 13 , Figure 10: Footprint recommended data on page 15
25-Aug-2009	3	Updated Section 6: Reverse polarity protection
25-Feb-2010	4	Updated Section 7: Package mechanical data
31-Jul-2013	5	Updated Section 7.1: Footprint recommended data.
19-Dec-2013	6	Updated V_{IN} in Table 1 . Replaced L_{MAX} parameter by EAS parameter in Table 1 . Added T_J condition to Table 3 . Updated Section 6 .

Please Read Carefully:

Information in this document is provided solely in connection with ST products. STMicroelectronics NV and its subsidiaries ("ST") reserve the right to make changes, corrections, modifications or improvements, to this document, and the products and services described herein at any time, without notice.

All ST products are sold pursuant to ST's terms and conditions of sale.

Purchasers are solely responsible for the choice, selection and use of the ST products and services described herein, and ST assumes no liability whatsoever relating to the choice, selection or use of the ST products and services described herein.

No license, express or implied, by estoppel or otherwise, to any intellectual property rights is granted under this document. If any part of this document refers to any third party products or services it shall not be deemed a license grant by ST for the use of such third party products or services, or any intellectual property contained therein or considered as a warranty covering the use in any manner whatsoever of such third party products or services or any intellectual property contained therein.

UNLESS OTHERWISE SET FORTH IN ST'S TERMS AND CONDITIONS OF SALE ST DISCLAIMS ANY EXPRESS OR IMPLIED WARRANTY WITH RESPECT TO THE USE AND/OR SALE OF ST PRODUCTS INCLUDING WITHOUT LIMITATION IMPLIED WARRANTIES OF MERCHANTABILITY, FITNESS FOR A PARTICULAR PURPOSE (AND THEIR EQUIVALENTS UNDER THE LAWS OF ANY JURISDICTION), OR INFRINGEMENT OF ANY PATENT, COPYRIGHT OR OTHER INTELLECTUAL PROPERTY RIGHT.

ST PRODUCTS ARE NOT DESIGNED OR AUTHORIZED FOR USE IN: (A) SAFETY CRITICAL APPLICATIONS SUCH AS LIFE SUPPORTING, ACTIVE IMPLANTED DEVICES OR SYSTEMS WITH PRODUCT FUNCTIONAL SAFETY REQUIREMENTS; (B) AERONAUTIC APPLICATIONS; (C) AUTOMOTIVE APPLICATIONS OR ENVIRONMENTS, AND/OR (D) AEROSPACE APPLICATIONS OR ENVIRONMENTS. WHERE ST PRODUCTS ARE NOT DESIGNED FOR SUCH USE, THE PURCHASER SHALL USE PRODUCTS AT PURCHASER'S SOLE RISK, EVEN IF ST HAS BEEN INFORMED IN WRITING OF SUCH USAGE, UNLESS A PRODUCT IS EXPRESSLY DESIGNATED BY ST AS BEING INTENDED FOR "AUTOMOTIVE, AUTOMOTIVE SAFETY OR MEDICAL" INDUSTRY DOMAINS ACCORDING TO ST PRODUCT DESIGN SPECIFICATIONS. PRODUCTS FORMALLY ESCC, QML OR JAN QUALIFIED ARE DEEMED SUITABLE FOR USE IN AEROSPACE BY THE CORRESPONDING GOVERNMENTAL AGENCY.

Resale of ST products with provisions different from the statements and/or technical features set forth in this document shall immediately void any warranty granted by ST for the ST product or service described herein and shall not create or extend in any manner whatsoever, any liability of ST.

ST and the ST logo are trademarks or registered trademarks of ST in various countries.

Information in this document supersedes and replaces all information previously supplied.

The ST logo is a registered trademark of STMicroelectronics. All other names are the property of their respective owners.

© 2013 STMicroelectronics - All rights reserved

STMicroelectronics group of companies

Australia - Belgium - Brazil - Canada - China - Czech Republic - Finland - France - Germany - Hong Kong - India - Israel - Italy - Japan - Malaysia - Malta - Morocco - Philippines - Singapore - Spain - Sweden - Switzerland - United Kingdom - United States of America

www.st.com



Компания «ЭлектроПласт» предлагает заключение долгосрочных отношений при поставках импортных электронных компонентов на взаимовыгодных условиях!

Наши преимущества:

- Оперативные поставки широкого спектра электронных компонентов отечественного и импортного производства напрямую от производителей и с крупнейших мировых складов;
- Поставка более 17-ти миллионов наименований электронных компонентов;
- Поставка сложных, дефицитных, либо снятых с производства позиций;
- Оперативные сроки поставки под заказ (от 5 рабочих дней);
- Экспресс доставка в любую точку России;
- Техническая поддержка проекта, помощь в подборе аналогов, поставка прототипов;
- Система менеджмента качества сертифицирована по Международному стандарту ISO 9001;
- Лицензия ФСБ на осуществление работ с использованием сведений, составляющих государственную тайну;
- Поставка специализированных компонентов (Xilinx, Altera, Analog Devices, Intersil, Interpoint, Microsemi, Aeroflex, Peregrine, Syfer, Eurofarad, Texas Instrument, Miteq, Cobham, E2V, MA-COM, Hittite, Mini-Circuits, General Dynamics и др.);

Помимо этого, одним из направлений компании «ЭлектроПласт» является направление «Источники питания». Мы предлагаем Вам помощь Конструкторского отдела:

- Подбор оптимального решения, техническое обоснование при выборе компонента;
- Подбор аналогов;
- Консультации по применению компонента;
- Поставка образцов и прототипов;
- Техническая поддержка проекта;
- Защита от снятия компонента с производства.



Как с нами связаться

Телефон: 8 (812) 309 58 32 (многоканальный)

Факс: 8 (812) 320-02-42

Электронная почта: org@eplast1.ru

Адрес: 198099, г. Санкт-Петербург, ул. Калинина, дом 2, корпус 4, литера А.