

## 8-Bit CMOS Microcontrollers with A/D Converter and Capture/Compare/PWM

### Devices included in this Data Sheet:

- PIC16C712 • PIC16C716

### Microcontroller Core Features:

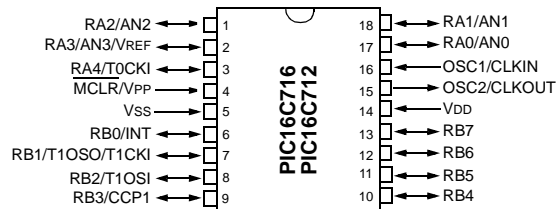
- High-performance RISC CPU
- Only 35 single-word instructions to learn
- All single-cycle instructions except for program branches which are two cycle
- Operating speed: DC – 20 MHz clock input  
DC – 200 ns instruction cycle

| Device    | Program Memory | Data Memory |
|-----------|----------------|-------------|
| PIC16C712 | 1K             | 128         |
| PIC16C716 | 2K             | 128         |

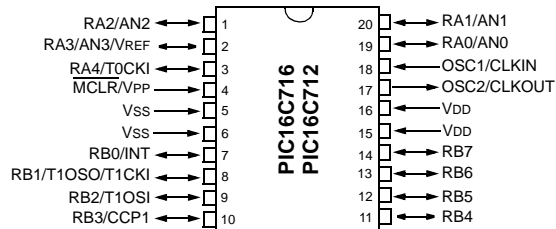
- Interrupt capability (up to 7 internal/external interrupt sources)
- Eight-level deep hardware stack
- Direct, Indirect and Relative Addressing modes
- Power-on Reset (POR)
- Power-up Timer (PWRT) and Oscillator Start-up Timer (OST)
- Watchdog Timer (WDT) with its own on-chip RC oscillator for reliable operation
- Brown-out detection circuitry for Brown-out Reset (BOR)
- Programmable code-protection
- Power-saving Sleep mode
- Selectable oscillator options
- Low-power, high-speed CMOS EPROM technology
- Fully static design
- In-Circuit Serial Programming™ (ICSP™)
- Wide operating voltage range: 2.5V to 5.5V
- High Sink/Source Current 25/25 mA
- Commercial, Industrial and Extended temperature ranges
- Low-power consumption:
  - < 2 mA @ 5V, 4 MHz
  - 22.5 µA, typical @ 3V, 32 kHz
  - < 1 µA, typical standby current

### Pin Diagrams

#### 18-pin PDIP, SOIC, Windowed Cerdip



#### 20-pin SSOP



### Peripheral Features:

- Timer0: 8-bit timer/counter with 8-bit prescaler
- Timer1: 16-bit timer/counter with prescaler can be incremented during Sleep via external crystal/clock
- Timer2: 8-bit timer/counter with 8-bit period register, prescaler and postscaler
- Capture, Compare, PWM module
- Capture is 16-bit, max. resolution is 12.5 ns, Compare is 16-bit, max. resolution is 200 ns, PWM maximum resolution is 10-bit
- 8-bit multi-channel Analog-to-Digital converter

# PIC16C712/716

| Key Features<br>PIC® Mid-Range Reference Manual (DS33023) | PIC16C712            | PIC16C716            |
|---|----------------------|----------------------|
| Operating Frequency                                       | DC – 20 MHz          | DC – 20 MHz          |
| Resets (and Delays)                                       | POR, BOR (PWRT, OST) | POR, BOR (PWRT, OST) |
| Program Memory (14-bit words)                             | 1K                   | 2K                   |
| Data Memory (bytes)                                       | 128                  | 128                  |
| Interrupts  | 7                    | 7                    |
| I/O Ports   | Ports A,B            | Ports A,B            |
| Timers  | 3                    | 3                    |
| Capture/Compare/PWM modules                               | 1                    | 1                    |
| 8-bit Analog-to-Digital Module                            | 4 input channels     | 4 input channels     |

## PIC16C7XX FAMILY OF DEVICES

|                     |  | PIC16C710                        | PIC16C71                      | PIC16C711                     | PIC16C712                     | PIC16C715                     | PIC16C716                     | PIC16C72A               | PIC16C73B                   |
|---------------------|--|----------------------------------|-------------------------------|-------------------------------|-------------------------------|-------------------------------|-------------------------------|-------------------------|-----------------------------|
| <b>Clock</b>        | Maximum Frequency of Operation (MHz)           | 20                               | 20                            | 20                            | 20                            | 20                            | 20                            | 20                      | 20                          |
|                     | <b>Memory</b>                                  | EPROM Program Memory (x14 words) | 512                           | 1K                            | 1K                            | 1K                            | 2K                            | 2K                      | 2K                          |
| Data Memory (bytes) |  | 36                               | 36                            | 68                            | 128                           | 128                           | 128                           | 128                     | 192                         |
| <b>Peripherals</b>  | Timer Module(s)                                | TMR0                             | TMR0                          | TMR0                          | TMR0<br>TMR1<br>TMR2          | TMR0                          | TMR0<br>TMR1<br>TMR2          | TMR0<br>TMR1<br>TMR2    | TMR0<br>TMR1<br>TMR2        |
|                     | Capture/Compare/PWM Module(s)                  | —                                | —                             | —                             | 1                             | —                             | 1                             | 1                       | 2                           |
|                     | Serial Port(s) (SPI™/I <sup>2</sup> C™, USART) | —                                | —                             | —                             | —                             | —                             | —                             | SPI/I <sup>2</sup> C    | SPI/I <sup>2</sup> C, USART |
|                     | A/D Converter (8-bit) Channels                 | 4                                | 4                             | 4                             | 4                             | 4                             | 4                             | 5                       | 5                           |
| <b>Features</b>     | Interrupt Sources                              | 4                                | 4                             | 4                             | 7                             | 4                             | 7                             | 8                       | 11                          |
|                     | I/O Pins                                       | 13                               | 13                            | 13                            | 13                            | 13                            | 13                            | 22                      | 22                          |
|                     | Voltage Range (Volts)                          | 2.5-6.0                          | 3.0-6.0                       | 2.5-6.0                       | 2.5-5.5                       | 2.5-5.5                       | 2.5-5.5                       | 2.5-5.5                 | 2.5-5.5                     |
|                     | In-Circuit Serial Programming™                 | Yes                              | Yes                           | Yes                           | Yes                           | Yes                           | Yes                           | Yes                     | Yes                         |
|                     | Brown-out Reset                                | Yes                              | —                             | Yes                           | Yes                           | Yes                           | Yes                           | Yes                     | Yes                         |
| Packages            | 18-pin DIP, SOIC, 20-pin SSOP                  | 18-pin DIP, SOIC                 | 18-pin DIP, SOIC, 20-pin SSOP | 18-pin DIP, SOIC, 20-pin SSOP | 18-pin DIP, SOIC, 20-pin SSOP | 18-pin DIP, SOIC, 20-pin SSOP | 18-pin DIP, SOIC, 20-pin SSOP | 28-pin SDIP, SOIC, SSOP | 28-pin SDIP, SOIC           |

## Table of Contents

|      |   |     |
|------|---|-----|
| 1.0  | Device Overview .....                               | 5   |
| 2.0  | Memory Organization .....                           | 9   |
| 3.0  | I/O Ports .....                                     | 21  |
| 4.0  | Timer0 Module .....                                 | 29  |
| 5.0  | Timer1 Module .....                                 | 31  |
| 6.0  | Timer2 Module .....                                 | 36  |
| 7.0  | Capture/Compare/PWM (CCP) Module(s) .....           | 39  |
| 8.0  | Analog-to-Digital Converter (A/D) Module .....      | 45  |
| 9.0  | Special Features of the CPU .....                   | 51  |
| 10.0 | Instruction Set Summary .....                       | 67  |
| 11.0 | Development Support .....                           | 69  |
| 12.0 | Electrical Characteristics .....                    | 73  |
| 13.0 | Packaging Information .....                         | 89  |
|      | Revision History .....                              | 95  |
|      | Conversion Considerations .....                     | 95  |
|      | Migration from Base-line to Mid-Range Devices ..... | 95  |
|      | Index .....   | 97  |
|      | On-Line Support .....                               | 101 |
|      | Reader Response .....                               | 102 |
|      | PIC16C712/716 Product Identification System .....   | 103 |

## TO OUR VALUED CUSTOMERS

It is our intention to provide our valued customers with the best documentation possible to ensure successful use of your Microchip products. To this end, we will continue to improve our publications to better suit your needs. Our publications will be refined and enhanced as new volumes and updates are introduced.

If you have any questions or comments regarding this publication, please contact the Marketing Communications Department via E-mail at [docerrors@microchip.com](mailto:docerrors@microchip.com) or fax the **Reader Response Form** in the back of this data sheet to (480) 792-4150. We welcome your feedback.

### Most Current Data Sheet

To obtain the most up-to-date version of this data sheet, please register at our Worldwide Web site at:

<http://www.microchip.com>

You can determine the version of a data sheet by examining its literature number found on the bottom outside corner of any page. The last character of the literature number is the version number, (e.g., DS30000A is version A of document DS30000).

### Errata

An errata sheet, describing minor operational differences from the data sheet and recommended workarounds, may exist for current devices. As device/documentation issues become known to us, we will publish an errata sheet. The errata will specify the revision of silicon and revision of document to which it applies.

To determine if an errata sheet exists for a particular device, please check with one of the following:

- Microchip's Worldwide Web site; <http://www.microchip.com>
- Your local Microchip sales office (see last page)

When contacting a sales office, please specify which device, revision of silicon and data sheet (include literature number) you are using.

### Customer Notification System

Register on our web site at [www.microchip.com](http://www.microchip.com) to receive the most current information on all of our products.

# PIC16C712/716

---

NOTES:

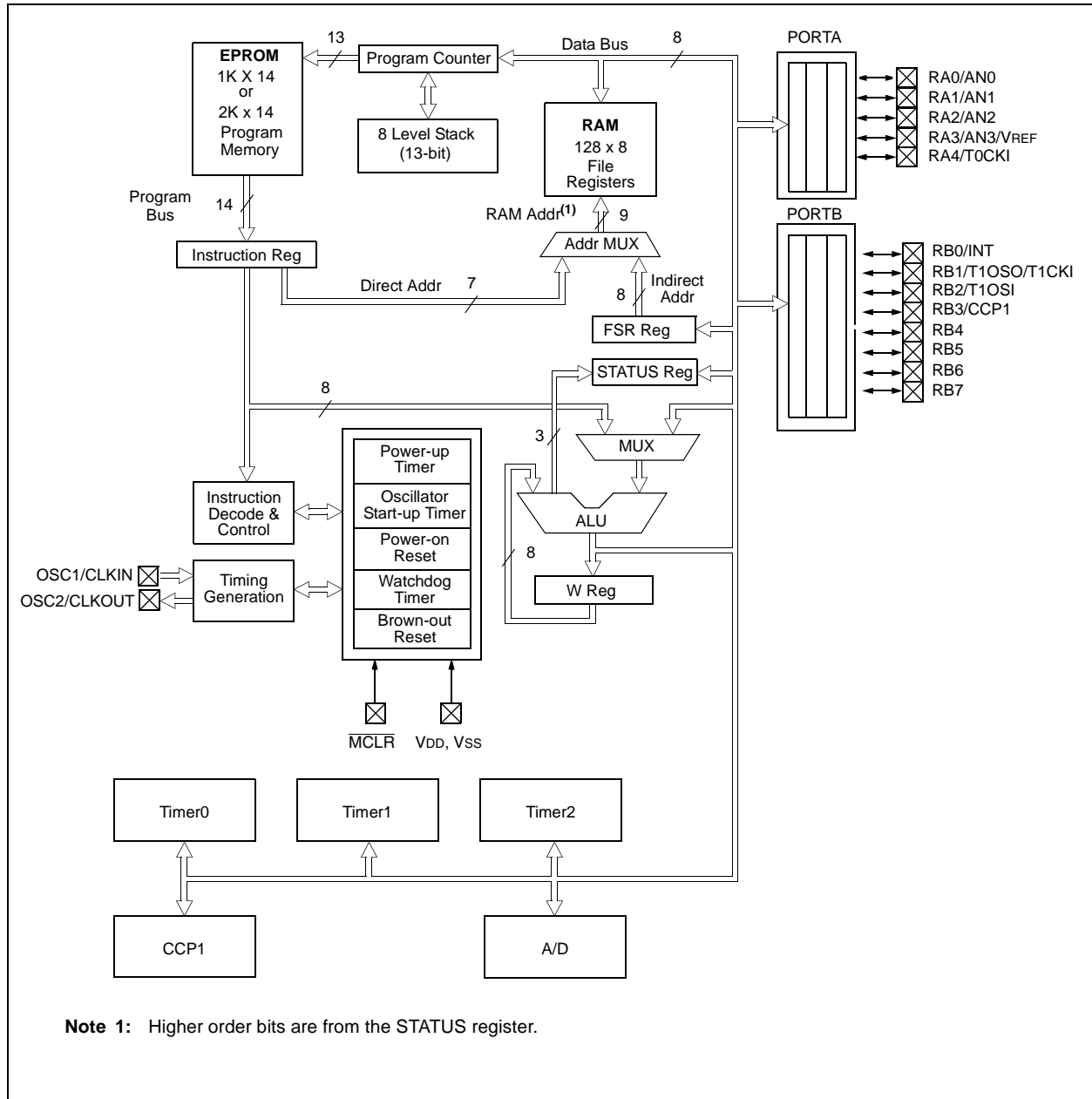
## 1.0 DEVICE OVERVIEW

This document contains device-specific information. Additional information may be found in the PIC® Mid-Range Reference Manual, (DS33023), which may be obtained from your local Microchip Sales Representative or downloaded from the Microchip web site. The Reference Manual should be considered a complementary document to this data sheet, and is highly recommended reading for a better understanding of the device architecture and operation of the peripheral modules.

There are two devices (PIC16C712, PIC16C716) covered by this data sheet.

Figure 1-1 is the block diagram for both devices. The pinouts are listed in Table 1-1.

**FIGURE 1-1: PIC16C712/716 BLOCK DIAGRAM**



# PIC16C712/716

**TABLE 1-1: PIC16C712/716 PINOUT DESCRIPTION**

| Pin Name   | PIC16C712/716           |                         | Pin Type   | Buffer Type  | Description   |
|--|-------------------------|-------------------------|--|--|---|
|  | DIP, SOIC               | SSOP                    |  |  |   |
| MCLR/VPP<br>MCLR<br>VPP  | 4                       | 4                       | I<br>P   | ST   | Master clear (Reset) input. This pin is an active low Reset to the device.<br>Programming voltage input   |
| OSC1/CLKIN<br>OSC1<br>CLKIN  | 16                      | 18                      | I<br>I   | ST<br>CMOS   | Oscillator crystal input or external clock source input. ST buffer when configured in RC mode. CMOS otherwise. External clock source input.   |
| OSC2/CLKOUT<br>OSC2<br>CLKOUT  | 15                      | 17                      | O<br>O   | —<br>—   | Oscillator crystal output. Connects to crystal or resonator in crystal oscillator mode.<br>In RC mode, OSC2 pin outputs CLKOUT which has 1/4 the frequency of OSC1, and denotes the instruction cycle rate.   |
| RA0/AN0<br>RA0<br>AN0<br>RA1/AN1<br>RA1<br>AN1<br>RA2/AN2<br>RA2<br>AN2<br>RA3/AN3/VREF<br>RA3<br>AN3<br>VREF<br>RA4/T0CKI<br>RA4<br>T0CKI | 17<br>18<br>1<br>2<br>3 | 19<br>20<br>1<br>2<br>3 | I/O<br>I<br>I/O<br>I<br>I/O<br>I<br>I/O<br>I<br>I/O<br>I<br>I/O<br>I<br>I/O<br>I<br>I/O<br>I | TTL<br>Analog<br>TTL<br>Analog<br>TTL<br>Analog<br>TTL<br>Analog<br>TTL<br>Analog<br>ST/OD<br>ST | PORTA is a bidirectional I/O port.<br>Digital I/O<br>Analog input 0<br>Digital I/O<br>Analog input 1<br>Digital I/O<br>Analog input 2<br>Digital I/O<br>Analog input 3<br>A/D Reference Voltage input.<br>Digital I/O. Open drain when configured as output.<br>Timer0 external clock input |

**Legend:** TTL = TTL-compatible input      CMOS = CMOS compatible input or output  
 ST = Schmitt Trigger input with CMOS levels  
 OD = Open drain output  
 SM = SMBus compatible input. An external resistor is required if this pin is used as an output  
 NPU = N-channel pull-up      PU = Weak internal pull-up  
 No-P diode = No P-diode to VDD      AN = Analog input or output  
 I = input      O = output  
 P = Power      L = LCD Driver

# PIC16C712/716

**TABLE 1-1: PIC16C712/716 PINOUT DESCRIPTION (CONTINUED)**

| Pin Name                                     | PIC16C712/716 |        | Pin Type          | Buffer Type        | Description  |
|--|---------------|--------|-------------------|--------------------|--|
|  | DIP, SOIC     | SSOP   |                   |                    |  |
| RB0/INT<br>RB0<br>INT                        | 6             | 7      | I/O<br>I          | TTL<br>ST          | PORTB is a bidirectional I/O port. PORTB can be software programmed for internal weak pull-ups on all inputs.<br><br>Digital I/O<br>External Interrupt |
| RB1/T1OSO/T1CKI<br>RB1<br>T1OSO<br><br>T1CKI | 7             | 8      | I/O<br>O<br><br>I | TTL<br>—<br><br>ST | Digital I/O<br>Timer1 oscillator output. Connects to crystal in oscillator mode.<br>Timer1 external clock input.                                       |
| RB2/T1OSI<br>RB2<br>T1OSI                    | 8             | 9      | I/O<br>I          | TTL<br>—           | Digital I/O<br>Timer1 oscillator input. Connects to crystal in oscillator mode.  |
| RB3/CCP1<br>RB3<br>CCP1                      | 9             | 10     | I/O<br>I/O        | TTL<br>ST          | Digital I/O<br>Capture1 input, Compare1 output, PWM1 output.   |
| RB4  | 10            | 12     | I/O               | TTL                | Digital I/O<br>Interrupt on change pin.  |
| RB5  | 11            | 12     | I/O               | TTL                | Digital I/O<br>Interrupt on change pin.  |
| RB6  | 12            | 13     | I/O<br><br>I      | TTL<br><br>ST      | Digital I/O<br>Interrupt on change pin.<br>ICSP programming clock.   |
| RB7  | 13            | 14     | I/O<br><br>I/O    | TTL<br><br>ST      | Digital I/O<br>Interrupt on change pin.<br>ICSP programming data.  |
| VSS  | 5             | 5, 6   | P                 | —                  | Ground reference for logic and I/O pins.   |
| VDD  | 14            | 15, 16 | P                 | —                  | Positive supply for logic and I/O pins.  |

**Legend:** TTL = TTL-compatible input    CMOS = CMOS compatible input or output  
 ST = Schmitt Trigger input with CMOS levels  
 OD = Open drain output  
 SM = SMBus compatible input. An external resistor is required if this pin is used as an output  
 NPU = N-channel pull-up    PU = Weak internal pull-up  
 No-P diode = No P-diode to VDD    AN = Analog input or output  
 I = input    O = output  
 P = Power    L = LCD Driver

# PIC16C712/716

---

NOTES:



## 2.0 MEMORY ORGANIZATION

There are two memory blocks in each of these PIC<sup>®</sup> microcontroller devices. Each block (Program Memory and Data Memory) has its own bus so that concurrent access can occur.

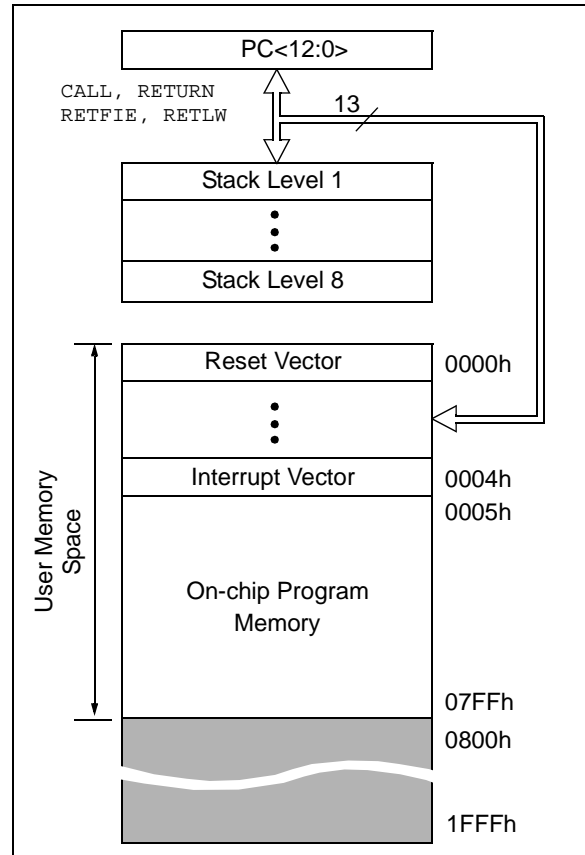
Additional information on device memory may be found in the PIC<sup>®</sup> Mid-Range Reference Manual, (DS33023).

### 2.1 Program Memory Organization

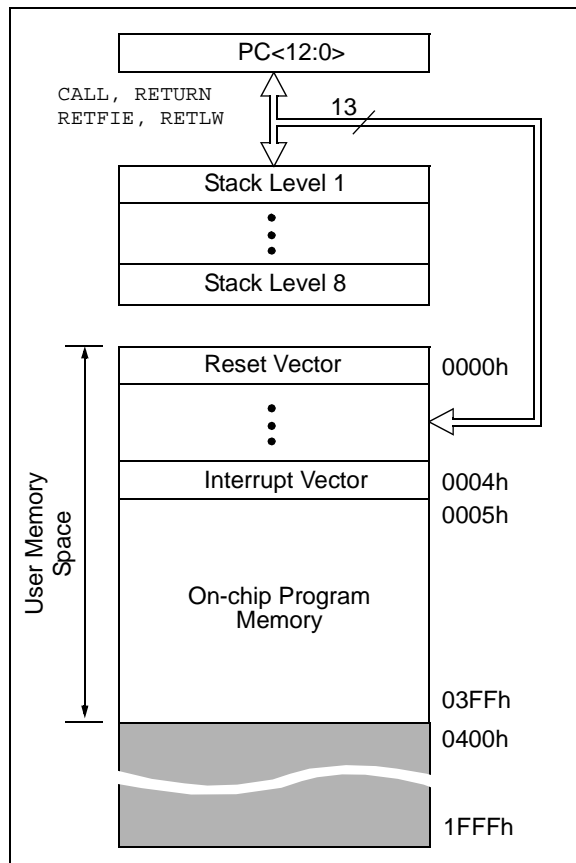
The PIC16C712/716 has a 13-bit Program Counter (PC) capable of addressing an 8K x 14 program memory space. PIC16C712 has 1K x 14 words of program memory and PIC16C716 has 2K x 14 words of program memory. Accessing a location above the physically implemented address will cause a wraparound.

The Reset vector is at 0000h and the interrupt vector is at 0004h.

**FIGURE 2-2: PROGRAM MEMORY MAP AND STACK OF PIC16C716**



**FIGURE 2-1: PROGRAM MEMORY MAP AND STACK OF THE PIC16C712**



# PIC16C712/716

## 2.2 Data Memory Organization

The data memory is partitioned into multiple banks which contain the General Purpose Registers and the Special Function Registers. Bits RP1 and RP0 are the bank select bits.

|                    |     |
|--------------------|-----|
| RP1 <sup>(1)</sup> | RP0 |
|--------------------|-----|

 (STATUS<6:5>)

- = 00 → Bank 0
- = 01 → Bank 1
- = 10 → Bank 2 (not implemented)
- = 11 → Bank 3 (not implemented)

**Note 1:** Maintain this bit clear to ensure upward compatibility with future products.

Each bank extends up to 7Fh (128 bytes). The lower locations of each bank are reserved for the Special Function Registers. Above the Special Function Registers are General Purpose Registers, implemented as static RAM. All implemented banks contain Special Function Registers. Some “high use” Special Function Registers from one bank may be mirrored in another bank for code reduction and quicker access.

### 2.2.1 GENERAL PURPOSE REGISTER FILE

The register file can be accessed either directly, or indirectly through the File Select Register FSR (see **Section 2.5 “Indirect Addressing, INDF and FSR Registers”**).

**FIGURE 2-3: REGISTER FILE MAP**

| File Address |                                       |                                       | File Address |
|--------------|---------------------------------------|---------------------------------------|--------------|
| 00h          | INDF <sup>(1)</sup>                   | INDF <sup>(1)</sup>                   | 80h          |
| 01h          | TMR0                                  | OPTION_REG                            | 81h          |
| 02h          | PCL                                   | PCL                                   | 82h          |
| 03h          | STATUS                                | STATUS                                | 83h          |
| 04h          | FSR                                   | FSR                                   | 84h          |
| 05h          | PORTA                                 | TRISA                                 | 85h          |
| 06h          | PORTB                                 | TRISB                                 | 86h          |
| 07h          | DATAACP                               | TRISCCP                               | 87h          |
| 08h          |                                       |                                       | 88h          |
| 09h          |                                       |                                       | 89h          |
| 0Ah          | PCLATH                                | PCLATH                                | 8Ah          |
| 0Bh          | INTCON                                | INTCON                                | 8Bh          |
| 0Ch          | PIR1                                  | PIE1                                  | 8Ch          |
| 0Dh          |                                       |                                       | 8Dh          |
| 0Eh          | TMR1L                                 | PCON                                  | 8Eh          |
| 0Fh          | TMR1H                                 |                                       | 8Fh          |
| 10h          | T1CON                                 |                                       | 90h          |
| 11h          | TMR2                                  |                                       | 91h          |
| 12h          | T2CON                                 | PR2                                   | 92h          |
| 13h          |                                       |                                       | 93h          |
| 14h          |                                       |                                       | 94h          |
| 15h          | CCPR1L                                |                                       | 95h          |
| 16h          | CCPR1H                                |                                       | 96h          |
| 17h          | CCP1CON                               |                                       | 97h          |
| 18h          |                                       |                                       | 98h          |
| 19h          |                                       |                                       | 99h          |
| 1Ah          |                                       |                                       | 9Ah          |
| 1Bh          |                                       |                                       | 9Bh          |
| 1Ch          |                                       |                                       | 9Ch          |
| 1Dh          |                                       |                                       | 9Dh          |
| 1Eh          | ADRES                                 |                                       | 9Eh          |
| 1Fh          | ADCON0                                | ADCON1                                | 9Fh          |
| 20h          | General Purpose Registers<br>96 Bytes | General Purpose Registers<br>32 Bytes | A0h          |
|              |                                       |                                       | BFh          |
|              |                                       |                                       | C0h          |
| 7Fh          |                                       |                                       | FFh          |
|              | Bank 0                                | Bank 1                                |              |

Unimplemented data memory locations, read as '0'.

**Note 1:** Not a physical register.

# PIC16C712/716

## 2.2.2 SPECIAL FUNCTION REGISTERS

The Special Function Registers are registers used by the CPU and Peripheral Modules for controlling the desired operation of the device. These registers are implemented as static RAM. A list of these registers is given in Table 2-1.

The Special Function Registers can be classified into two sets; core (CPU) and peripheral. Those registers associated with the core functions are described in detail in this section. Those related to the operation of the peripheral features are described in detail in that peripheral feature section.

**TABLE 2-1: SPECIAL FUNCTION REGISTER SUMMARY**

| Addr          | Name                    | Bit 7  | Bit 6              | Bit 5            | Bit 4  | Bit 3            | Bit 2               | Bit 1            | Bit 0   | Value on: POR, BOR | Value on all other Resets (4) |           |
|---------------|-------------------------|--|--------------------|------------------|--|------------------|---------------------|------------------|---------|--------------------|-------------------------------|-----------|
| <b>Bank 0</b> |                         |  |                    |                  |  |                  |                     |                  |         |                    |                               |           |
| 00h           | INDF <sup>(1)</sup>     | Addressing this location uses contents of FSR to address data memory (not a physical register) |                    |                  |  |                  |                     |                  |         | 0000 0000          | 0000 0000                     |           |
| 01h           | TMR0                    | Timer0 Module's Register   |                    |                  |  |                  |                     |                  |         | xxxx xxxx          | uuuu uuuu                     |           |
| 02h           | PCL <sup>(1)</sup>      | Program Counter's (PC) Least Significant Byte  |                    |                  |  |                  |                     |                  |         | 0000 0000          | 0000 0000                     |           |
| 03h           | STATUS <sup>(1)</sup>   | IRP <sup>(4)</sup>   | RP1 <sup>(4)</sup> | RP0              | $\overline{TO}$  | $\overline{PD}$  | Z                   | DC               | C       | rr01 lxxx          | rr0q quuu                     |           |
| 04h           | FSR <sup>(1)</sup>      | Indirect Data Memory Address Pointer   |                    |                  |  |                  |                     |                  |         | xxxx xxxx          | uuuu uuuu                     |           |
| 05h           | PORTA <sup>(5,6)</sup>  | —  | —                  | — <sup>(7)</sup> | PORTA Data Latch when written: PORTA pins when read      |                  |                     |                  |         |                    | --xx xxxx                     | --xu uuuu |
| 06h           | PORTB <sup>(5,6)</sup>  | PORTB Data Latch when written: PORTB pins when read  |                    |                  |  |                  |                     |                  |         | xxxx xxxx          | uuuu uuuu                     |           |
| 07h           | DATAACP                 | — <sup>(7)</sup>   | — <sup>(7)</sup>   | — <sup>(7)</sup> | — <sup>(7)</sup>   | — <sup>(7)</sup> | DCCP                | — <sup>(7)</sup> | DT1CK   | xxxx xxxx          | xxxx xuxu                     |           |
| 08h-09h       | —                       | Unimplemented  |                    |                  |  |                  |                     |                  |         | —                  | —                             |           |
| 0Ah           | PCLATH <sup>(1,2)</sup> | —  | —                  | —                | Write Buffer for the upper 5 bits of the Program Counter |                  |                     |                  |         |                    | ---0 0000                     | ---0 0000 |
| 0Bh           | INTCON <sup>(1)</sup>   | GIE  | PEIE               | TOIE             | INTE   | RBIE             | T0IF                | INTF             | RBIF    | 0000 000x          | 0000 000u                     |           |
| 0Ch           | PIR1                    | —  | ADIF               | —                | —  | —                | CCP1IF              | TMR2IF           | TMR1IF  | -0-- 0000          | -0-- 0000                     |           |
| 0Dh           | —                       | Unimplemented  |                    |                  |  |                  |                     |                  |         | —                  | —                             |           |
| 0Eh           | TMR1L                   | Holding Register for the Least Significant Byte of the 16-bit TMR1 Register                    |                    |                  |  |                  |                     |                  |         | xxxx xxxx          | uuuu uuuu                     |           |
| 0Fh           | TMR1H                   | Holding Register for the Most Significant Byte of the 16-bit TMR1 Register                     |                    |                  |  |                  |                     |                  |         | xxxx xxxx          | uuuu uuuu                     |           |
| 10h           | T1CON                   | —  | —                  | T1CKPS1          | T1CKPS0  | T1OSCEN          | $\overline{T1SYNC}$ | TMR1CS           | TMR1ON  | --00 0000          | --uu uuuu                     |           |
| 11h           | TMR2                    | Timer2 Module's Register   |                    |                  |  |                  |                     |                  |         | 0000 0000          | 0000 0000                     |           |
| 12h           | T2CON                   | —  | TOUTPS3            | TOUTPS2          | TOUTPS1  | TOUTPS0          | TMR2ON              | T2CKPS1          | T2CKPS0 | -000 0000          | -000 0000                     |           |
| 13h-14h       | —                       | Unimplemented  |                    |                  |  |                  |                     |                  |         | —                  | —                             |           |
| 15h           | CCPR1L                  | Capture/Compare/PWM Register1 (LSB)  |                    |                  |  |                  |                     |                  |         | xxxx xxxx          | uuuu uuuu                     |           |
| 16h           | CCPR1H                  | Capture/Compare/PWM Register1 (MSB)  |                    |                  |  |                  |                     |                  |         | xxxx xxxx          | uuuu uuuu                     |           |
| 17h           | CCP1CON                 | —  | —                  | DC1B1            | DC1B0  | CCP1M3           | CCP1M2              | CCP1M1           | CCP1M0  | --00 0000          | --00 0000                     |           |
| 18h-1Dh       | —                       | Unimplemented  |                    |                  |  |                  |                     |                  |         | —                  | —                             |           |
| 1Eh           | ADRES                   | A/D Result Register  |                    |                  |  |                  |                     |                  |         | xxxx xxxx          | uuuu uuuu                     |           |
| 1Fh           | ADCON0                  | ADCS1  | ADCS0              | CHS2             | CHS1   | CHS0             | GO/DONE             | —                | ADON    | 0000 00-0          | 0000 00-0                     |           |

**Legend:** x = unknown, u = unchanged, q = value depends on condition, — = unimplemented, read as '0', Shaded locations are unimplemented, read as '0'.

**Note 1:** These registers can be addressed from either bank.

**2:** The upper byte of the program counter is not directly accessible. PCLATH is a holding register for PC<12:8> whose contents are transferred to the upper byte of the program counter.

**3:** Other (non Power-up) Resets include: external Reset through  $\overline{MCLR}$  and the Watchdog Timer Reset.

**4:** The IRP and RP1 bits are reserved. Always maintain these bits clear.

**5:** On any device Reset, these pins are configured as inputs.

**6:** This is the value that will be in the port output latch.

**7:** Reserved bits; Do Not Use.

# PIC16C712/716

**TABLE 2-1: SPECIAL FUNCTION REGISTER SUMMARY (CONTINUED)**

| Addr          | Name                    | Bit 7  | Bit 6              | Bit 5            | Bit 4  | Bit 3                  | Bit 2  | Bit 1                   | Bit 0                   | Value on:<br>POR,<br>BOR | Value on<br>all other<br>Resets (4) |
|---------------|-------------------------|--|--------------------|------------------|--|------------------------|--------|-------------------------|-------------------------|--------------------------|-------------------------------------|
| <b>Bank 1</b> |                         |  |                    |                  |  |                        |        |                         |                         |                          |                                     |
| 80h           | INDF <sup>(1)</sup>     | Addressing this location uses contents of FSR to address data memory (not a physical register) |                    |                  |  |                        |        |                         |                         | 0000 0000                | 0000 0000                           |
| 81h           | OPTION_<br>REG          | $\overline{\text{RBPU}}$   | INTEDG             | T0CS             | T0SE   | PSA                    | PS2    | PS1                     | PS0                     | 1111 1111                | 1111 1111                           |
| 82h           | PCL <sup>(1)</sup>      | Program Counter's (PC) Least Significant Byte  |                    |                  |  |                        |        |                         |                         | 0000 0000                | 0000 0000                           |
| 83h           | STATUS <sup>(1)</sup>   | IRP <sup>(4)</sup>   | RP1 <sup>(4)</sup> | RP0              | $\overline{\text{TO}}$                                   | $\overline{\text{PD}}$ | Z      | DC                      | C                       | rr01 1xxx                | rr0q quuu                           |
| 84h           | FSR <sup>(1)</sup>      | Indirect Data Memory Address Pointer   |                    |                  |  |                        |        |                         |                         | xxxx xxxx                | uuuu uuuu                           |
| 85h           | TRISA                   | —  | —                  | — <sup>(7)</sup> | PORTA Data Direction Register                            |                        |        |                         |                         | --x1 1111                | --x1 1111                           |
| 86h           | TRISB                   | PORTB Data Direction Register  |                    |                  |  |                        |        |                         |                         | 1111 1111                | 1111 1111                           |
| 87h           | TRISCCP                 | — <sup>(7)</sup>   | — <sup>(7)</sup>   | — <sup>(7)</sup> | — <sup>(7)</sup>   | — <sup>(7)</sup>       | TCCP   | — <sup>(7)</sup>        | TT1CK                   | xxxx x1x1                | xxxx x1x1                           |
| 88h-89h       | —                       | Unimplemented  |                    |                  |  |                        |        |                         |                         | —                        | —                                   |
| 8Ah           | PCLATH <sup>(1,2)</sup> | —  | —                  | —                | Write Buffer for the upper 5 bits of the Program Counter |                        |        |                         |                         | ---0 0000                | ---0 0000                           |
| 8Bh           | INTCON <sup>(1)</sup>   | GIE  | PEIE               | TOIE             | INTE   | RBIE                   | TOIF   | INTF                    | RBIF                    | 0000 000x                | 0000 000u                           |
| 8Ch           | PIE1                    | —  | ADIE               | —                | —  | —                      | CCP1IE | TMR2IE                  | TMR1IE                  | -0-- -000                | -0-- -000                           |
| 8Dh           | —                       | Unimplemented  |                    |                  |  |                        |        |                         |                         | —                        | —                                   |
| 8Eh           | PCON                    | —  | —                  | —                | —  | —                      | —      | $\overline{\text{POR}}$ | $\overline{\text{BOR}}$ | ---- --pq                | ---- --uu                           |
| 8Fh-91h       | —                       | Unimplemented  |                    |                  |  |                        |        |                         |                         | —                        | —                                   |
| 92h           | PR2                     | Timer2 Period Register   |                    |                  |  |                        |        |                         |                         | 1111 1111                | 1111 1111                           |
| 93h-9Eh       | —                       | Unimplemented  |                    |                  |  |                        |        |                         |                         | —                        | —                                   |
| 9Fh           | ADCON1                  | —  | —                  | —                | —  | —                      | PCFG2  | PCFG1                   | PCFG0                   | ---- -000                | ---- -000                           |

**Legend:** x = unknown, u = unchanged, q = value depends on condition, — = unimplemented, read as '0', Shaded locations are unimplemented, read as '0'.

**Note 1:** These registers can be addressed from either bank.

**2:** The upper byte of the program counter is not directly accessible. PCLATH is a holding register for PC<12:8> whose contents are transferred to the upper byte of the program counter.

**3:** Other (non Power-up) Resets include: external Reset through  $\overline{\text{MCLR}}$  and the Watchdog Timer Reset.

**4:** The IRP and RP1 bits are reserved. Always maintain these bits clear.

**5:** On any device Reset, these pins are configured as inputs.

**6:** This is the value that will be in the port output latch.

**7:** Reserved bits; Do Not Use.

## 2.2.2.1 Status Register

The STATUS register, shown in Figure 2-4, contains the arithmetic status of the ALU, the Reset status and the bank select bits for data memory.

The STATUS register can be the destination for any instruction, as with any other register. If the STATUS register is the destination for an instruction that affects the Z, DC or C bits, then the write to these three bits is disabled. These bits are set or cleared according to the device logic. Furthermore, the  $\overline{TO}$  and  $\overline{PD}$  bits are not writable. Therefore, the result of an instruction with the STATUS register as destination may be different than intended.

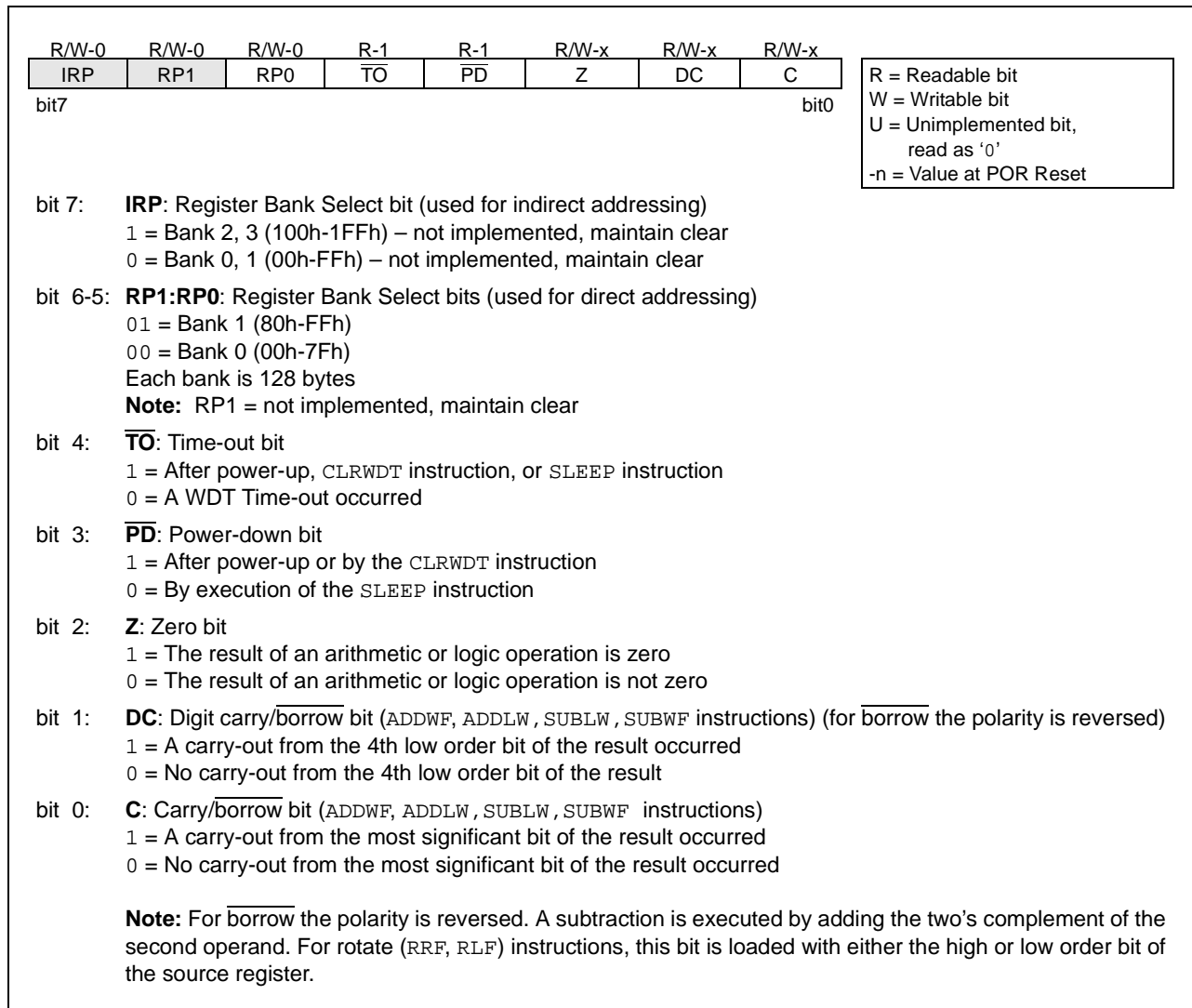
For example, `CLRF STATUS` will clear the upper-three bits and set the Z bit. This leaves the STATUS register as `000u u1uu` (where u = unchanged).

It is recommended, therefore, that only `BCF`, `BSF`, `SWAPF` and `MOVWF` instructions are used to alter the STATUS register because these instructions do not affect the Z, C or DC bits from the STATUS register. For other instructions, not affecting any Status bits, see the "Instruction Set Summary."

**Note 1:** These devices do not use bits IRP and RP1 (STATUS<7:6>). Maintain these bits clear to ensure upward compatibility with future products.

**2:** The C and DC bits operate as a borrow and digit borrow bit, respectively, in subtraction. See the `SUBLW` and `SUBWF` instructions for examples.

**FIGURE 2-4: STATUS REGISTER (ADDRESS 03h, 83h)**



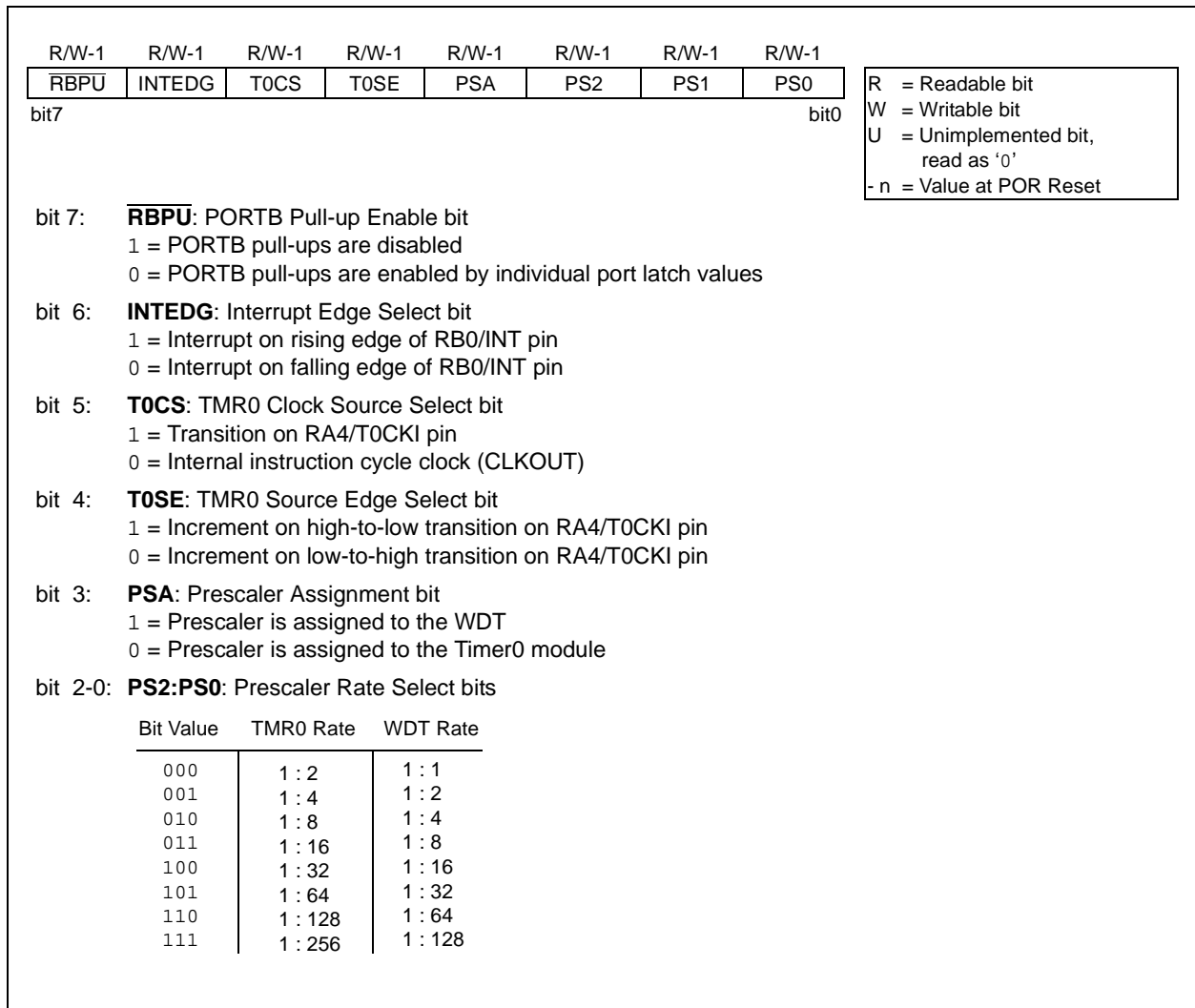
# PIC16C712/716

## 2.2.2.2 OPTION\_REG Register

The OPTION\_REG register is a readable and writable register, which contains various control bits to configure the TMR0 prescaler/WDT postscaler (single assignable register known also as the prescaler), the External INT Interrupt, TMR0 and the weak pull-ups on PORTB.

**Note:** To achieve a 1:1 prescaler assignment for the TMR0 register, assign the prescaler to the Watchdog Timer.

**FIGURE 2-5: OPTION\_REG REGISTER (ADDRESS 81h)**



## 2.2.2.3 INTCON Register

The INTCON Register is a readable and writable register which contains various enable and flag bits for the TMR0 register overflow, RB Port change and External RB0/INT pin interrupts.

**Note:** Interrupt flag bits get set when an interrupt condition occurs, regardless of the state of its corresponding enable bit or the global enable bit, GIE (INTCON<7>). User software should ensure the appropriate interrupt flag bits are clear prior to enabling an interrupt.

**FIGURE 2-6: INTCON REGISTER (ADDRESS 0Bh, 8Bh)**

|      | R/W-0 | R/W-0 | R/W-0 | R/W-0 | R/W-0 | R/W-0 | R/W-0 | R/W-x |
|------|-------|-------|-------|-------|-------|-------|-------|-------|
| bit7 | GIE   | PEIE  | TOIE  | INTE  | RBIE  | TOIF  | INTF  | RBIF  |
| bit0 |       |       |       |       |       |       |       | bit0  |

R = Readable bit  
 W = Writable bit  
 U = Unimplemented bit, read as '0'  
 -n = Value at POR Reset

bit 7: **GIE:** Global Interrupt Enable bit  
 1 = Enables all unmasked interrupts  
 0 = Disables all interrupts

bit 6: **PEIE:** Peripheral Interrupt Enable bit  
 1 = Enables all unmasked peripheral interrupts  
 0 = Disables all peripheral interrupts

bit 5: **TOIE:** TMR0 Overflow Interrupt Enable bit  
 1 = Enables the TMR0 interrupt  
 0 = Disables the TMR0 interrupt

bit 4: **IINTE:** RB0/INT External Interrupt Enable bit  
 1 = Enables the RB0/INT external interrupt  
 0 = Disables the RB0/INT external interrupt

bit 3: **RBIE:** RB Port Change Interrupt Enable bit  
 1 = Enables the RB port change interrupt  
 0 = Disables the RB port change interrupt

bit 2: **TOIF:** TMR0 Overflow Interrupt Flag bit  
 1 = TMR0 register has overflowed (must be cleared in software)  
 0 = TMR0 register did not overflow

bit 1: **INTF:** RB0/INT External Interrupt Flag bit  
 1 = The RB0/INT external interrupt occurred (must be cleared in software)  
 0 = The RB0/INT external interrupt did not occur

bit 0: **RBIF:** RB Port Change Interrupt Flag bit  
 1 = At least one of the RB7:RB4 pins changed state (must be cleared in software)  
 0 = None of the RB7:RB4 pins have changed state

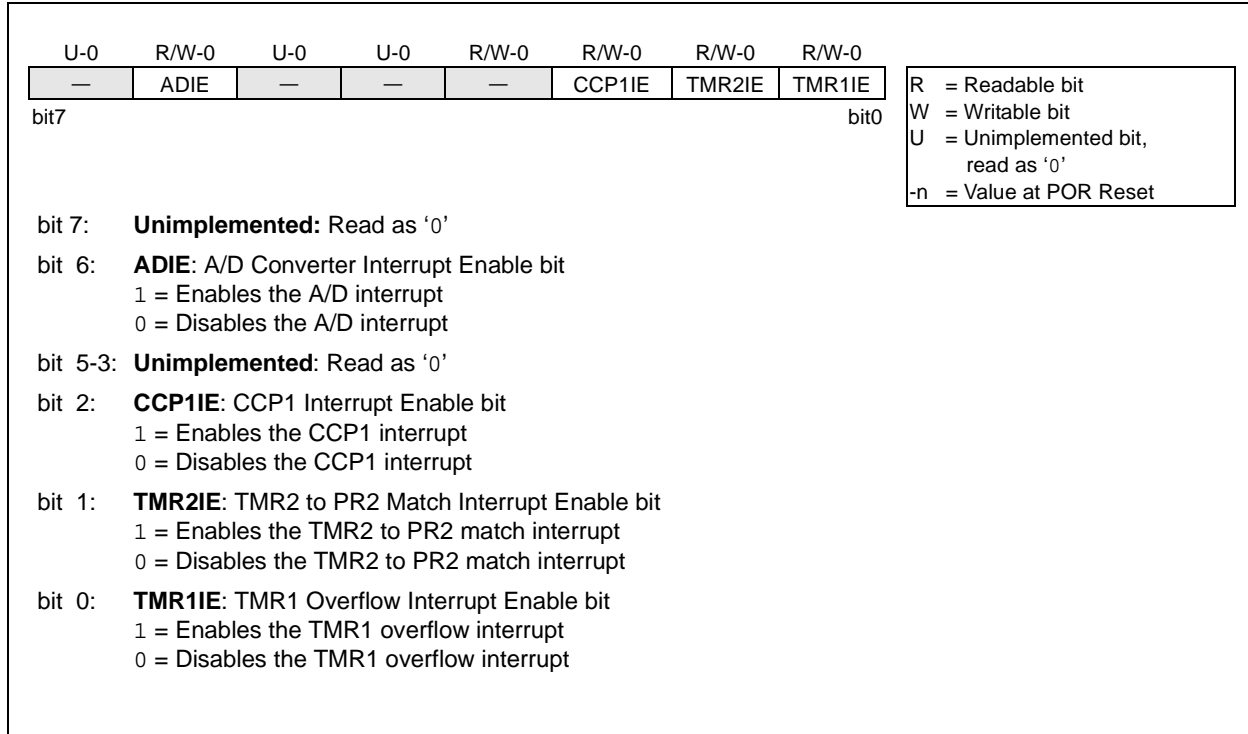
# PIC16C712/716

## 2.2.2.4 PIE1 Register

This register contains the individual enable bits for the peripheral interrupts.

**Note:** Bit PEIE (INTCON<6>) must be set to enable any peripheral interrupt.

**FIGURE 2-7: PIE1 REGISTER (ADDRESS 8Ch)**



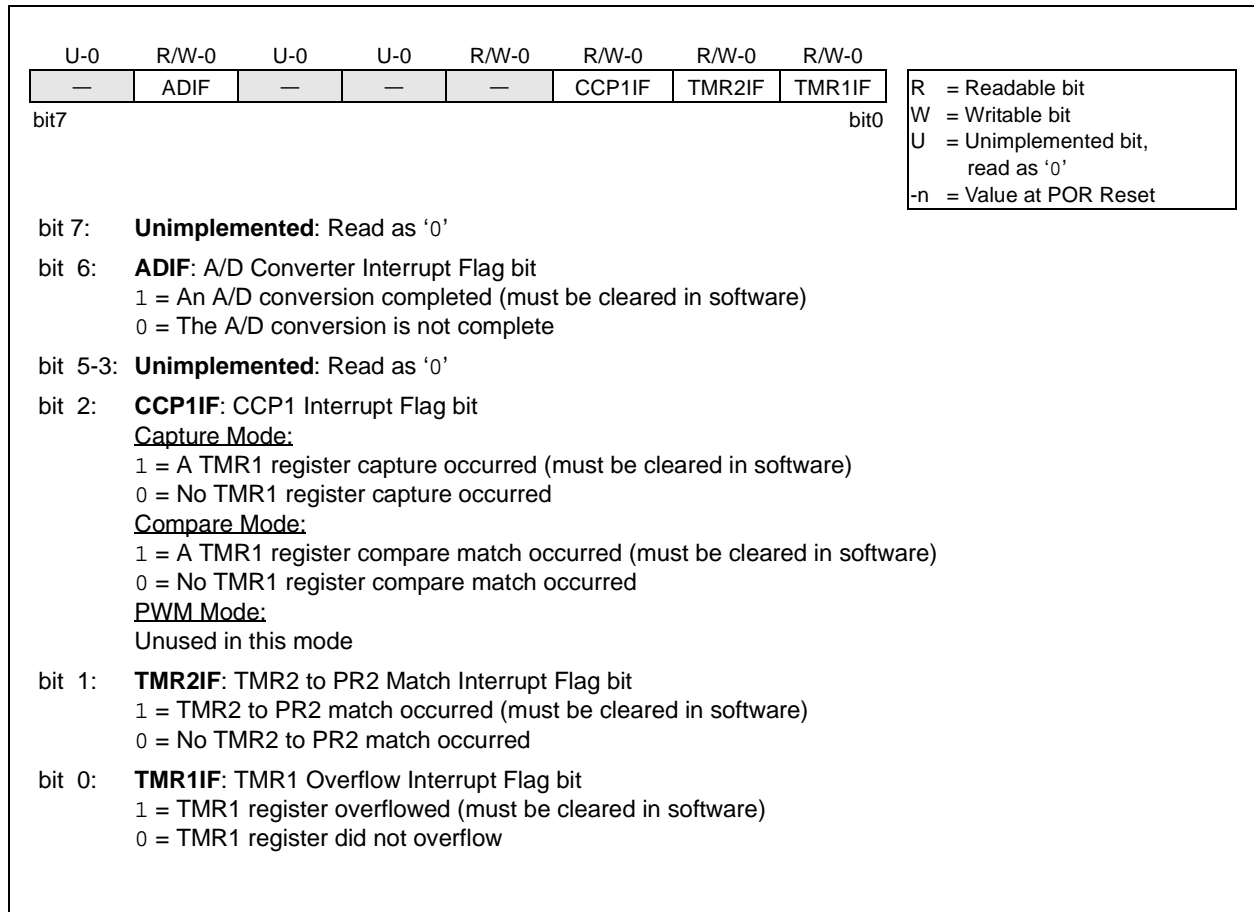


## 2.2.2.5 PIR1 Register

This register contains the individual flag bits for the peripheral interrupts.

**Note:** Interrupt flag bits get set when an interrupt condition occurs, regardless of the state of its corresponding enable bit or the global enable bit, GIE (INTCON<7>). User software should ensure the appropriate interrupt flag bits are clear prior to enabling an interrupt.

**FIGURE 2-8: PIR1 REGISTER (ADDRESS 0Ch)**



# PIC16C712/716

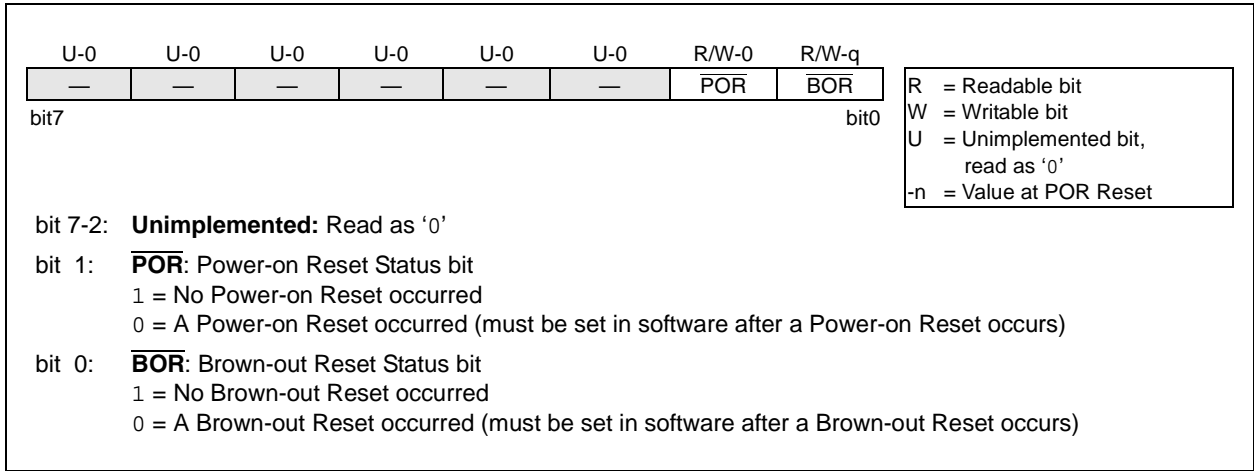
## 2.2.2.6 PCON Register

The Power Control (PCON) register contains a flag bit to allow differentiation between a Power-on Reset (POR) to an external MCLR Reset or WDT Reset. These devices contain an additional bit to differentiate a Brown-out Reset condition from a Power-on Reset condition.

**Note:** If the BODEN Configuration bit is set, BOR is '1' on Power-on Reset. If the BODEN Configuration bit is clear, BOR is unknown on Power-on Reset.

The  $\overline{\text{BOR}}$  Status bit is a "don't care" and is not necessarily predictable if the brown-out circuit is disabled (the BODEN Configuration bit is clear).  $\overline{\text{BOR}}$  must then be set by the user and checked on subsequent resets to see if it is clear, indicating a brown-out has occurred.

**FIGURE 2-9: PCON REGISTER (ADDRESS 8Eh)**



## 2.3 PCL and PCLATH

The Program Counter (PC) specifies the address of the instruction to fetch for execution. The PC is 13 bits wide. The low byte is called the PCL register. This register is readable and writable. The high byte is called the PCH register. This register contains the PC<12:8> bits and is not directly readable or writable. All updates to the PCH register go through the PCLATH register.

### 2.3.1 STACK

The stack allows a combination of up to 8 program calls and interrupts to occur. The stack contains the return address from this branch in program execution.

Mid-range devices have an 8-level deep x 13-bit wide hardware stack. The stack space is not part of either program or data space and the Stack Pointer is not readable or writable. The PC is PUSHed onto the stack when a CALL instruction is executed or an interrupt causes a branch. The stack is POPed in the event of a RETURN, RETLW or a RETFIE instruction execution. PCLATH is not modified when the stack is PUSHed or POPed.

After the stack has been PUSHed eight times, the ninth push overwrites the value that was stored from the first push. The tenth push overwrites the second push (and so on).

## 2.4 Program Memory Paging

The CALL and GOTO instructions provide 11 bits of address to allow branching within any 2K program memory page. When doing a CALL or GOTO instruction, the upper bit of the address is provided by PCLATH<3>. When doing a CALL or GOTO instruction, the user must ensure that the page select bit is programmed so that the desired program memory page is addressed. If a return from a CALL instruction (or interrupt) is executed, the entire 13-bit PC is pushed onto the stack. Therefore, manipulation of the PCLATH<3> bit is not required for the return instructions (which POPs the address from the stack).

# PIC16C712/716

## 2.5 Indirect Addressing, INDF and FSR Registers

The INDF register is not a physical register. Addressing INDF actually addresses the register whose address is contained in the FSR register (FSR is a *pointer*). This is indirect addressing.

### EXAMPLE 2-1: INDIRECT ADDRESSING

- Register file 05 contains the value 10h
- Register file 06 contains the value 0Ah
- Load the value 05 into the FSR register
- A read of the INDF register will return the value of 10h
- Increment the value of the FSR register by one (FSR = 06)
- A read of the INDF register now will return the value of 0Ah.

Reading INDF itself indirectly (FSR = 0) will produce 00h. Writing to the INDF register indirectly results in a no-operation (although Status bits may be affected).

A simple program to clear RAM locations 20h-2Fh using indirect addressing is shown in Example 2-2.

### EXAMPLE 2-2: HOW TO CLEAR RAM USING INDIRECT ADDRESSING

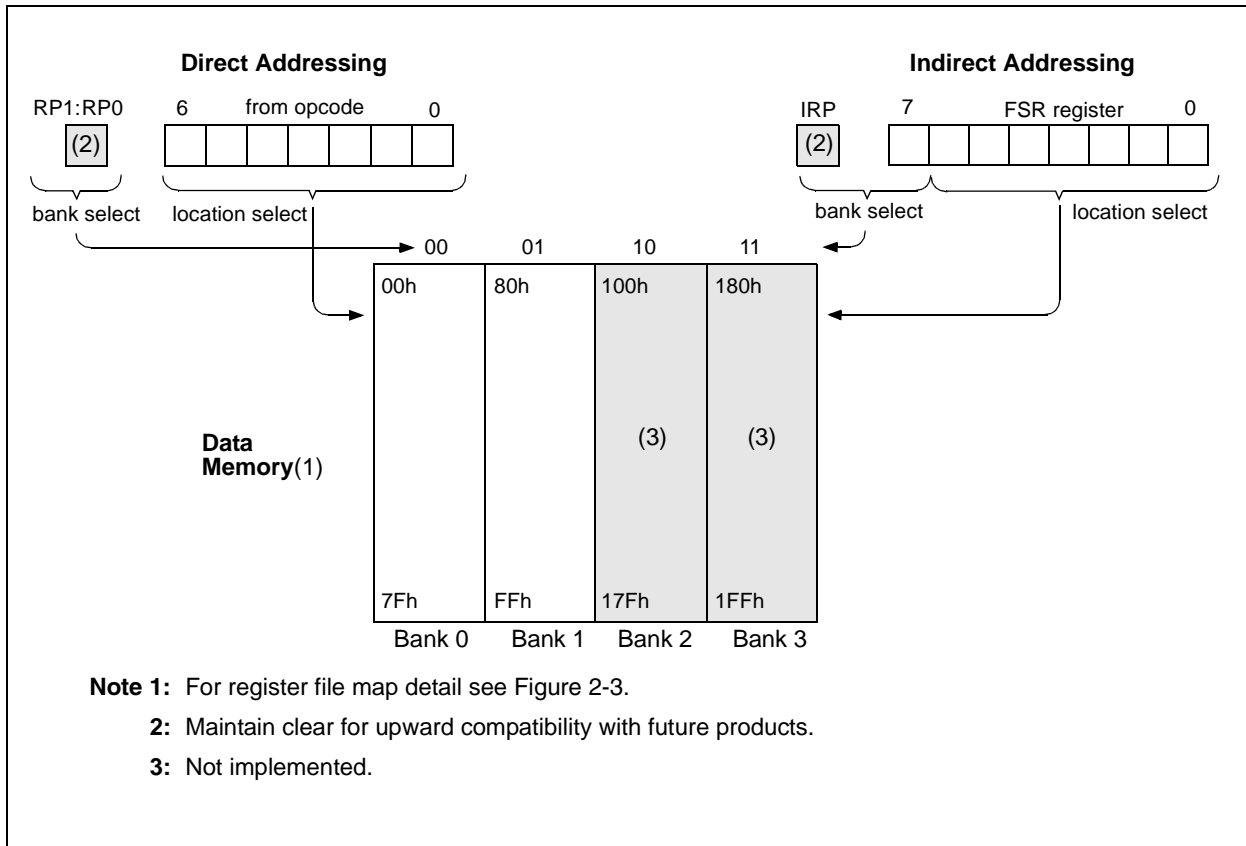
```

MOV LW 0x20 ;initialize pointer
MOV WF FSR ; to RAM
NEXT   CLR F INDF ;clear INDF register
       INC F FSR ;inc pointer
       BT FSS FSR,4 ;all done?
       GOTO NEXT ;NO, clear next

CONTINUE
      : ;YES, continue
    
```

An effective 9-bit address is obtained by concatenating the 8-bit FSR register and the IRP bit (STATUS<7>), as shown in Figure 2-10. However, IRP is not used in the PIC16C712/716.

FIGURE 2-10: DIRECT/INDIRECT ADDRESSING



## 3.0 I/O PORTS

Some pins for these I/O ports are multiplexed with an alternate function for the peripheral features on the device. In general, when a peripheral is enabled, that pin may not be used as a general purpose I/O pin.

Additional information on I/O ports may be found in the PIC<sup>®</sup> Mid-Range Reference Manual, (DS33023).

### 3.1 PORTA and the TRISA Register

PORTA is a 5-bit wide bidirectional port. The corresponding data direction register is TRISA. Setting a TRISA bit (= 1) will make the corresponding PORTA pin an input, (i.e., put the corresponding output driver in a High-Impedance mode). Clearing a TRISA bit (= 0) will make the corresponding PORTA pin an output, (i.e., put the contents of the output latch on the selected pin).

Reading the PORTA register reads the status of the pins whereas writing to it will write to the port latch. All write operations are read-modify-write operations. Therefore, a write to a port implies that the port pins are read, the value is modified, and then written to the port data latch.

Pin RA4 is multiplexed with the Timer0 module clock input to become the RA4/T0CKI pin. The RA4/T0CKI pin is a Schmitt Trigger input and an open drain output. All other RA port pins have TTL input levels and full CMOS output drivers.

PORTA pins, RA3:0, are multiplexed with analog inputs and analog VREF input. The operation of each pin is selected by clearing/setting the control bits in the ADCON1 register (A/D Control Register1).

**Note:** On a Power-on Reset, these pins are configured as analog inputs and read as '0'.

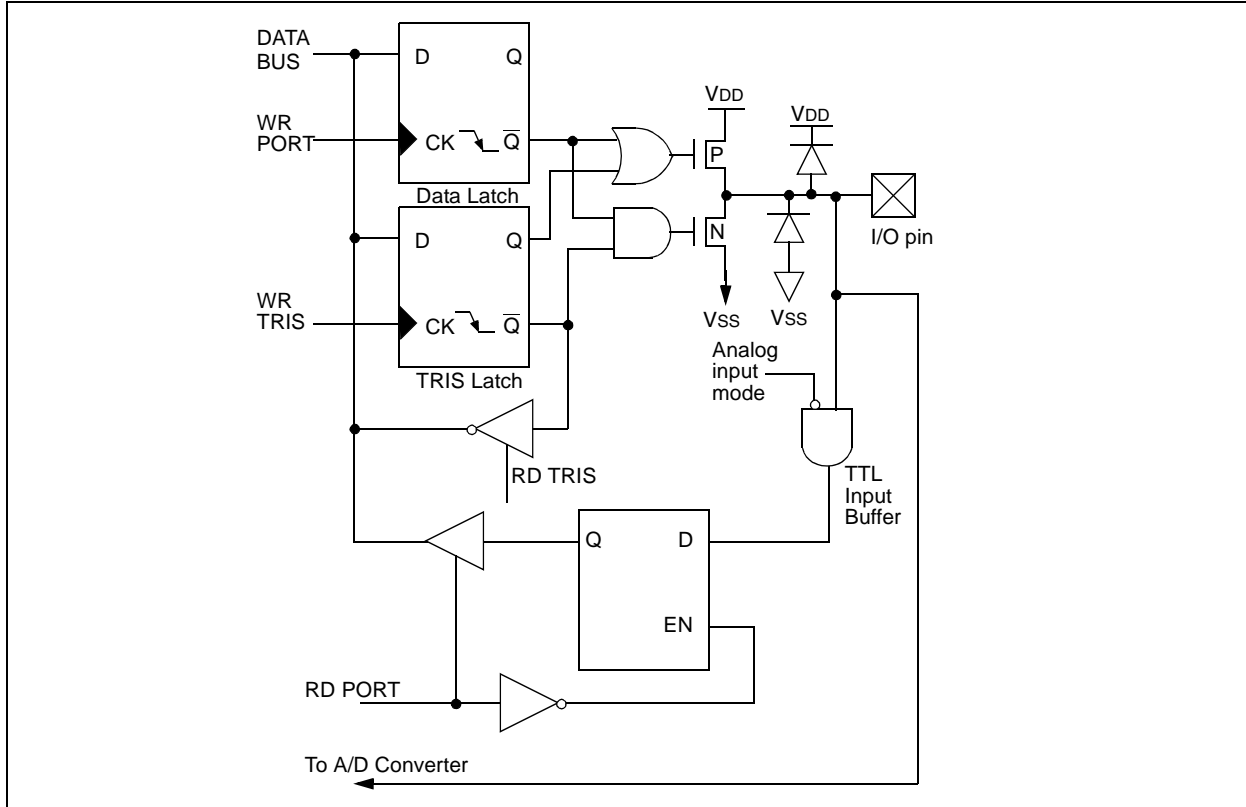
The TRISA register controls the direction of the RA pins, even when they are being used as analog inputs. The user must ensure the bits in the TRISA register are maintained set when using them as analog inputs.

#### EXAMPLE 3-1: INITIALIZING PORTA

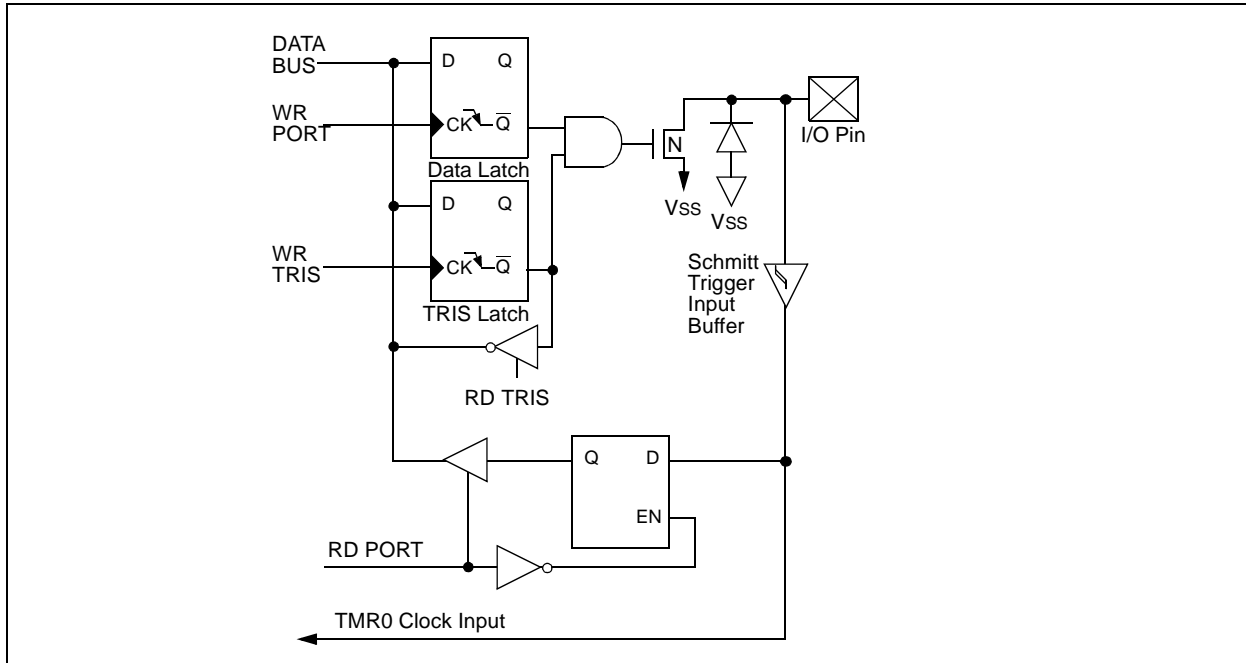
```
BCF    STATUS, RP0 ;
CLRF   PORTA       ; Initialize PORTA by
                ; clearing output
                ; data latches
BSF    STATUS, RP0 ; Select Bank 1
MOVLW  0xEF        ; Value used to
                ; initialize data
                ; direction
MOVWF  TRISA       ; Set RA<3:0> as inputs
                ; RA<4> as outputs
BCF    STATUS, RP0 ; Return to Bank 0
```

# PIC16C712/716

**FIGURE 3-1: BLOCK DIAGRAM OF RA3:RA0**



**FIGURE 3-2: BLOCK DIAGRAM OF RA4/T0CKI PIN**



**TABLE 3-1: PORTA FUNCTIONS**

| Name         | Bit#  | Buffer | Function   |
|--------------|-------|--------|--|
| RA0/AN0      | bit 0 | TTL    | Input/output or analog input   |
| RA1/AN1      | bit 1 | TTL    | Input/output or analog input   |
| RA2/AN2      | bit 2 | TTL    | Input/output or analog input   |
| RA3/AN3/VREF | bit 3 | TTL    | Input/output or analog input or VREF   |
| RA4/T0CKI    | bit 4 | ST     | Input/output or external clock input for Timer0<br>Output is open drain type |

**Legend:** TTL = TTL input, ST = Schmitt Trigger input

**TABLE 3-2: SUMMARY OF REGISTERS ASSOCIATED WITH PORTA**

| Address | Name   | Bit 7 | Bit 6 | Bit 5            | Bit 4                         | Bit 3 | Bit 2 | Bit 1 | Bit 0 | Value on POR, BOR | Value on all other Resets |
|---------|--------|-------|-------|------------------|-------------------------------|-------|-------|-------|-------|-------------------|---------------------------|
| 05h     | PORTA  | —     | —     | — <sup>(1)</sup> | RA4                           | RA3   | RA2   | RA1   | RA0   | --xx xxxx         | --xu uuuu                 |
| 85h     | TRISA  | —     | —     | — <sup>(1)</sup> | PORTA Data Direction Register |       |       |       |       | --11 1111         | --11 1111                 |
| 9Fh     | ADCON1 | —     | —     | —                | —                             | —     | PCFG2 | PCFG1 | PCFG0 | ---- -000         | ---- -000                 |

**Legend:** x = unknown, u = unchanged, — = unimplemented locations read as '0'. Shaded cells are not used by PORTA.

**Note 1:** Reserved bits; Do Not Use.

# PIC16C712/716

## 3.2 PORTB and the TRISB Register

PORTB is an 8-bit wide bidirectional port. The corresponding data direction register is TRISB. Setting a TRISB bit (= 1) will make the corresponding PORTB pin an input, (i.e., put the corresponding output driver in a High-Impedance mode). Clearing a TRISB bit (= 0) will make the corresponding PORTB pin an output, (i.e., put the contents of the output latch on the selected pin).

Each of the PORTB pins has a weak internal pull-up. A single control bit can turn on all the pull-ups. This is performed by clearing bit  $\overline{\text{RBPU}}$  (OPTION\_REG<7>). The weak pull-up is automatically turned off when the port pin is configured as an output. The pull-ups are disabled on a Power-on Reset.

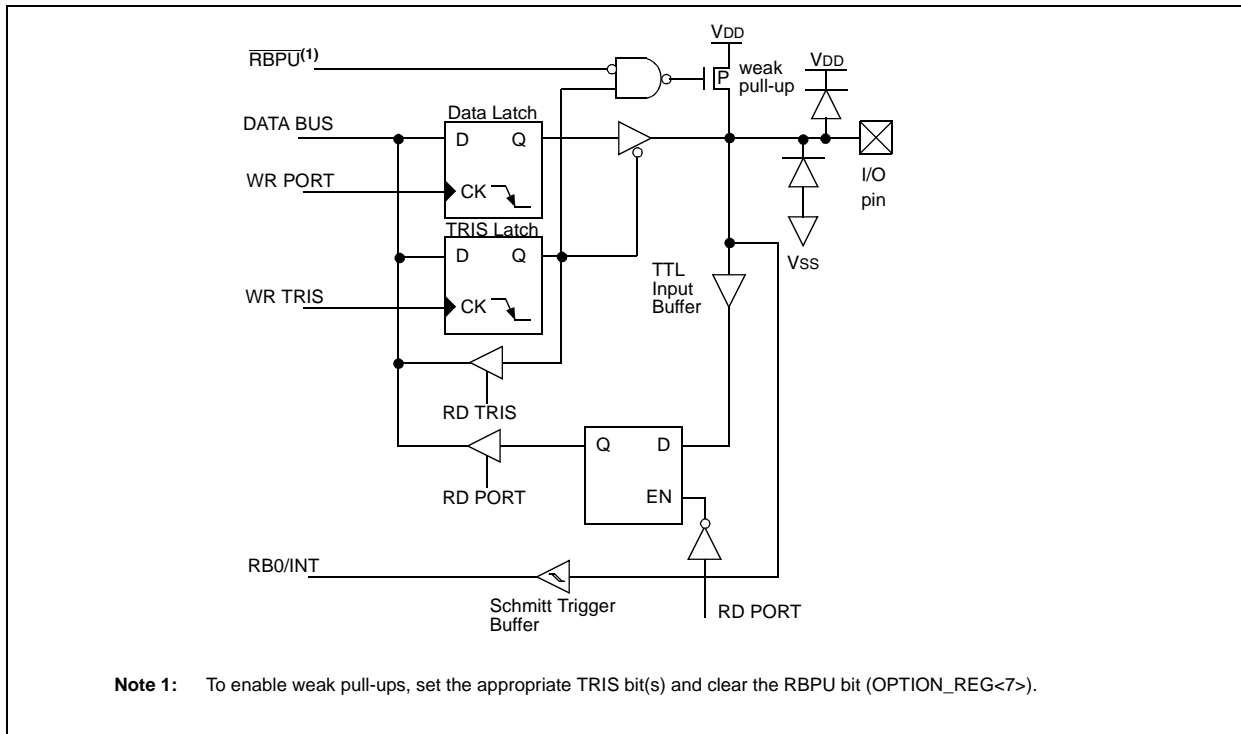
### EXAMPLE 3-2: INITIALIZING PORTB

```
BCF STATUS, RP0 ;
CLRF PORTB      ; Initialize PORTB by
                ; clearing output
                ; data latches

BSF STATUS, RP0 ; Select Bank 1
MOVLW 0xCF      ; Value used to
                ; initialize data
                ; direction

MOVWF TRISB     ; Set RB<3:0> as inputs
                ; RB<5:4> as outputs
                ; RB<7:6> as inputs
```

FIGURE 3-3: BLOCK DIAGRAM OF RB0 PIN





PORTB pins RB3:RB1 are multiplexed with several peripheral functions (Table 3-3). PORTB pins RB3:RB0 have Schmitt Trigger input buffers.

When enabling peripheral functions, care should be taken in defining TRIS bits for each PORTB pin. Some peripherals override the TRIS bit to make a pin an output, while other peripherals override the TRIS bit to make a pin an input. Since the TRIS bit override is in effect while the peripheral is enabled, read-modify-write instructions (*BSF*, *BCF*, *XORWF*) with TRISB as destination should be avoided. The user should refer to the corresponding peripheral section for the correct TRIS bit settings.

Four of PORTB's pins, RB7:RB4, have an interrupt-on-change feature. Only pins configured as inputs can cause this interrupt to occur (i.e., any RB7:RB4 pin configured as an output is excluded from the interrupt-on-change comparison). The input pins, RB7:RB4, are compared with the old value latched on the last read of

PORTB. The "mismatch" outputs of RB7:RB4 are OR'ed together to generate the RB Port Change Interrupt with flag bit RBIF (INTCON<0>).

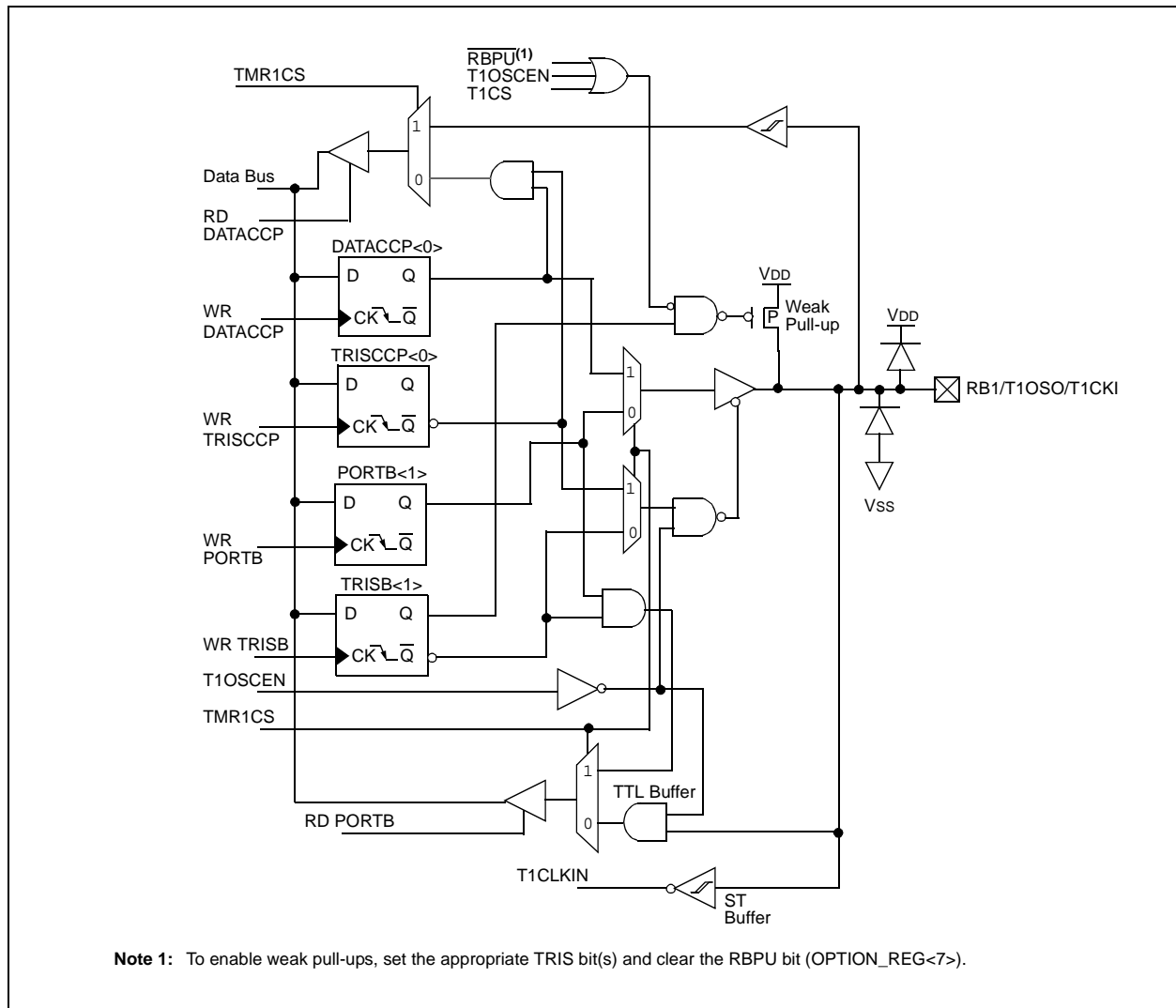
This interrupt can wake the device from Sleep. The user, in the Interrupt Service Routine, can clear the interrupt in the following manner:

- a) Any read or write of PORTB will end the mismatch condition.
- b) Clear flag bit RBIF.

A mismatch condition will continue to set flag bit RBIF. Reading PORTB will end the mismatch condition and allow flag bit RBIF to be cleared.

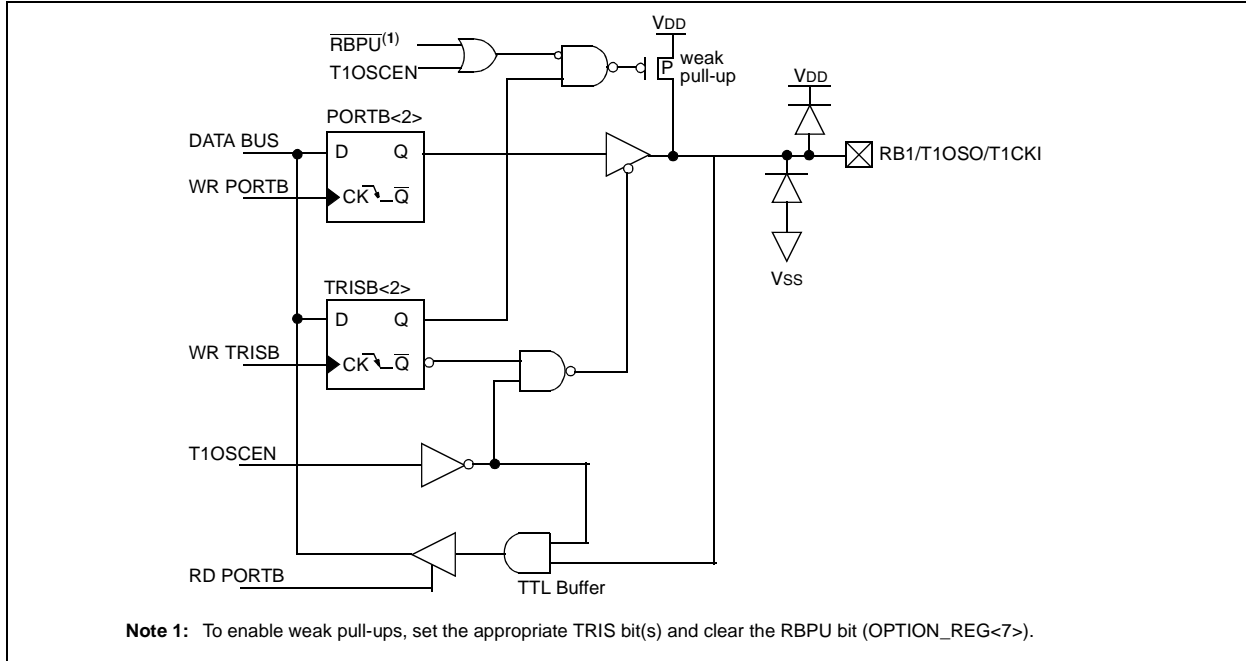
The interrupt-on-change feature is recommended for wake-up on key depression operation and operations where PORTB is only used for the interrupt-on-change feature. Polling of PORTB is not recommended while using the interrupt-on-change feature.

**FIGURE 3-4: BLOCK DIAGRAM OF RB1/T1OSO/T1CKI PIN**

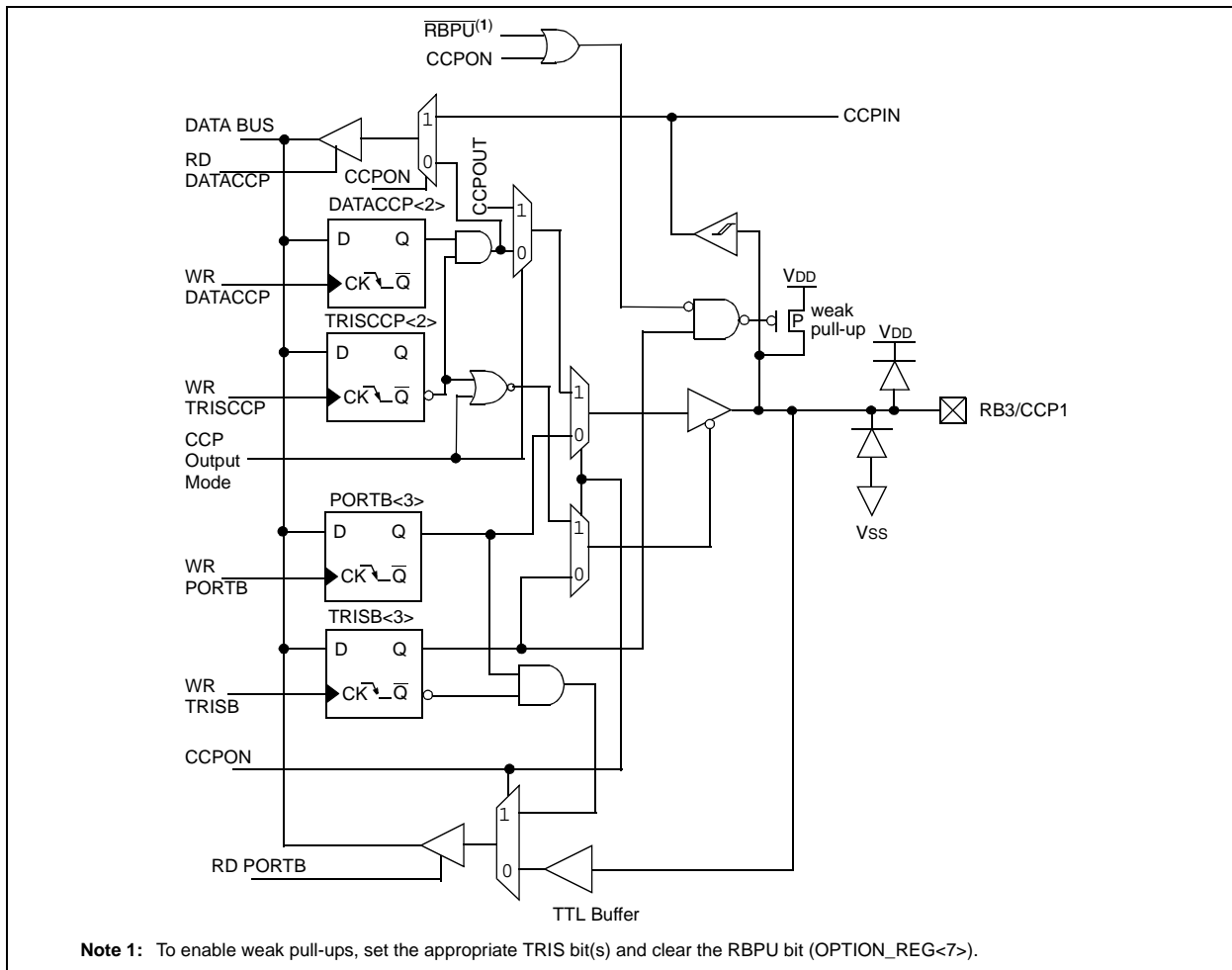


# PIC16C712/716

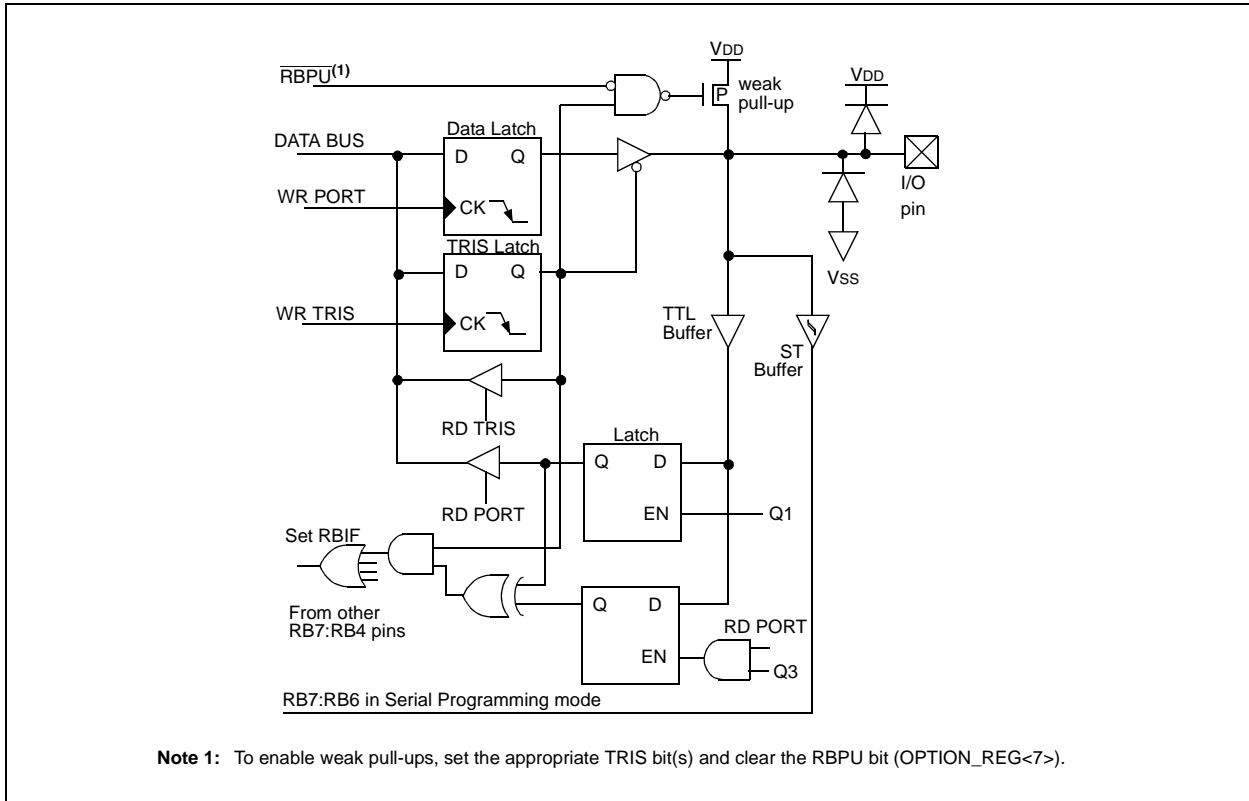
**FIGURE 3-5: BLOCK DIAGRAM OF RB2/T1OSI PIN**



**FIGURE 3-6: BLOCK DIAGRAM OF RB3/CCP1 PIN**



**FIGURE 3-7: BLOCK DIAGRAM OF RB7:RB4 PINS**



**TABLE 3-3: PORTB FUNCTIONS**

| Name            | Bit#  | Buffer                | Function  |
|-----------------|-------|-----------------------|---|
| RB0/INT         | bit 0 | TTL/ST <sup>(1)</sup> | Input/output pin or external interrupt input. Internal software programmable weak pull-up.  |
| RB1/T1OS0/T1CKI | bit 1 | TTL/ST <sup>(1)</sup> | Input/output pin or Timer1 oscillator output, or Timer1 clock input. Internal software programmable weak pull-up. See Timer1 section for detailed operation.    |
| RB2/T1OSI       | bit 2 | TTL/ST <sup>(1)</sup> | Input/output pin or Timer1 oscillator input. Internal software programmable weak pull-up. See Timer1 section for detailed operation.                            |
| RB3/CCP1        | bit 3 | TTL/ST <sup>(1)</sup> | Input/output pin or Capture 1 input, or Compare 1 output, or PWM1 output. Internal software programmable weak pull-up. See CCP1 section for detailed operation. |
| RB4             | bit 4 | TTL                   | Input/output pin (with interrupt-on-change). Internal software programmable weak pull-up.   |
| RB5             | bit 5 | TTL                   | Input/output pin (with interrupt-on-change). Internal software programmable weak pull-up.   |
| RB6             | bit 6 | TTL/ST <sup>(2)</sup> | Input/output pin (with interrupt-on-change). Internal software programmable weak pull-up. Serial programming clock.   |
| RB7             | bit 7 | TTL/ST <sup>(2)</sup> | Input/output pin (with interrupt-on-change). Internal software programmable weak pull-up. Serial programming data.  |

**Legend:** TTL = TTL input, ST = Schmitt Trigger input

**Note 1:** This buffer is a Schmitt Trigger input when configured as the external interrupt or peripheral input.

**2:** This buffer is a Schmitt Trigger input when used in Serial Programming mode.

# PIC16C712/716

**TABLE 3-4: SUMMARY OF REGISTERS ASSOCIATED WITH PORTB**

| Address | Name       | Bit 7                         | Bit 6  | Bit 5 | Bit 4 | Bit 3 | Bit 2 | Bit 1 | Bit 0 | Value on:<br>POR,<br>BOR | Value on all<br>other Resets |
|---------|------------|-------------------------------|--------|-------|-------|-------|-------|-------|-------|--------------------------|------------------------------|
| 06h     | PORTB      | RB7                           | RB6    | RB5   | RB4   | RB3   | RB2   | RB1   | RB0   | xxxx xxxx                | uuuu uuuu                    |
| 86h     | TRISB      | PORTB Data Direction Register |        |       |       |       |       |       |       | 1111 1111                | 1111 1111                    |
| 81h     | OPTION_REG | $\overline{\text{RBPU}}$      | INTEDG | T0CS  | T0SE  | PSA   | PS2   | PS1   | PS0   | 1111 1111                | 1111 1111                    |

**Legend:** x = unknown, u = unchanged. Shaded cells are not used by PORTB.

## 4.0 TIMER0 MODULE

The Timer0 module timer/counter has the following features:

- 8-bit timer/counter
- Readable and writable
- Internal or external clock select
- Edge select for external clock
- 8-bit software programmable prescaler
- Interrupt on overflow from FFh to 00h

Figure 4-1 is a simplified block diagram of the Timer0 module.

Additional information on timer modules is available in the PIC<sup>®</sup> Mid-Range Reference Manual, (DS33023).

### 4.1 Timer0 Operation

Timer0 can operate as a timer or as a counter.

Timer mode is selected by clearing bit T0CS (OPTION\_REG<5>). In timer mode, the Timer0 module will increment every instruction cycle (without prescaler). If the TMR0 register is written, the increment is inhibited for the following two instruction cycles. The user can work around this by writing an adjusted value to the TMR0 register.

Counter mode is selected by setting bit T0CS (OPTION\_REG<5>). In Counter mode, Timer0 will increment on every rising or falling edge of pin RA4/T0CKI. The incrementing edge is determined by the Timer0 Source Edge Select bit T0SE (OPTION\_REG<4>). Clearing bit T0SE selects the rising edge. Restrictions on the external clock input are discussed below.

When an external clock input is used for Timer0, it must meet certain requirements. The requirements ensure the external clock can be synchronized with the internal phase clock (Tosc). Also, there is a delay in the actual incrementing of Timer0 after synchronization.

Additional information on external clock requirements is available in the PIC<sup>®</sup> Mid-Range Reference Manual, (DS33023).

### 4.2 Prescaler

An 8-bit counter is available as a prescaler for the Timer0 module or as a postscaler for the Watchdog Timer, respectively (Figure 4-2). For simplicity, this counter is being referred to as “prescaler” throughout this data sheet. Note that there is only one prescaler available, which is mutually exclusively shared between the Timer0 module and the Watchdog Timer. Thus, a prescaler assignment for the Timer0 module means that there is no prescaler for the Watchdog Timer and vice-versa.

The prescaler is not readable or writable.

The PSA and PS2:PS0 bits (OPTION\_REG<3:0>) determine the prescaler assignment and prescale ratio.

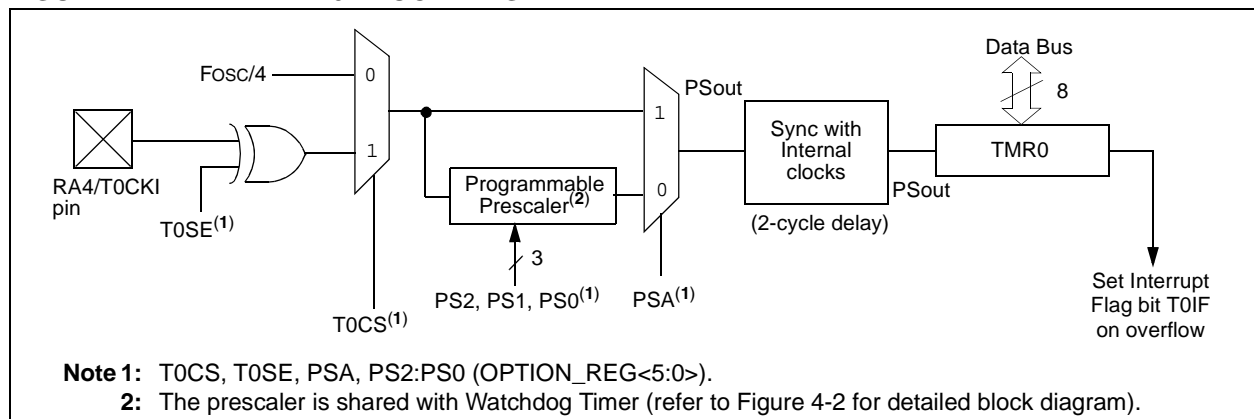
Clearing bit PSA will assign the prescaler to the Timer0 module. When the prescaler is assigned to the Timer0 module, prescale values of 1:2, 1:4, ..., 1:256 are selectable.

Setting bit PSA will assign the prescaler to the Watchdog Timer (WDT). When the prescaler is assigned to the WDT, prescale values of 1:1, 1:2, ..., 1:128 are selectable.

When assigned to the Timer0 module, all instructions writing to the TMR0 register (e.g., CLRF 1, MOVWF 1, BSF 1, x....etc.) will clear the prescaler. When assigned to WDT, a CLRWDT instruction will clear the prescaler along with the WDT.

**Note:** Writing to TMR0 when the prescaler is assigned to Timer0 will clear the prescaler count, but will not change the prescaler assignment.

**FIGURE 4-1: TIMER0 BLOCK DIAGRAM**



# PIC16C712/716

## 4.2.1 SWITCHING PRESCALER ASSIGNMENT

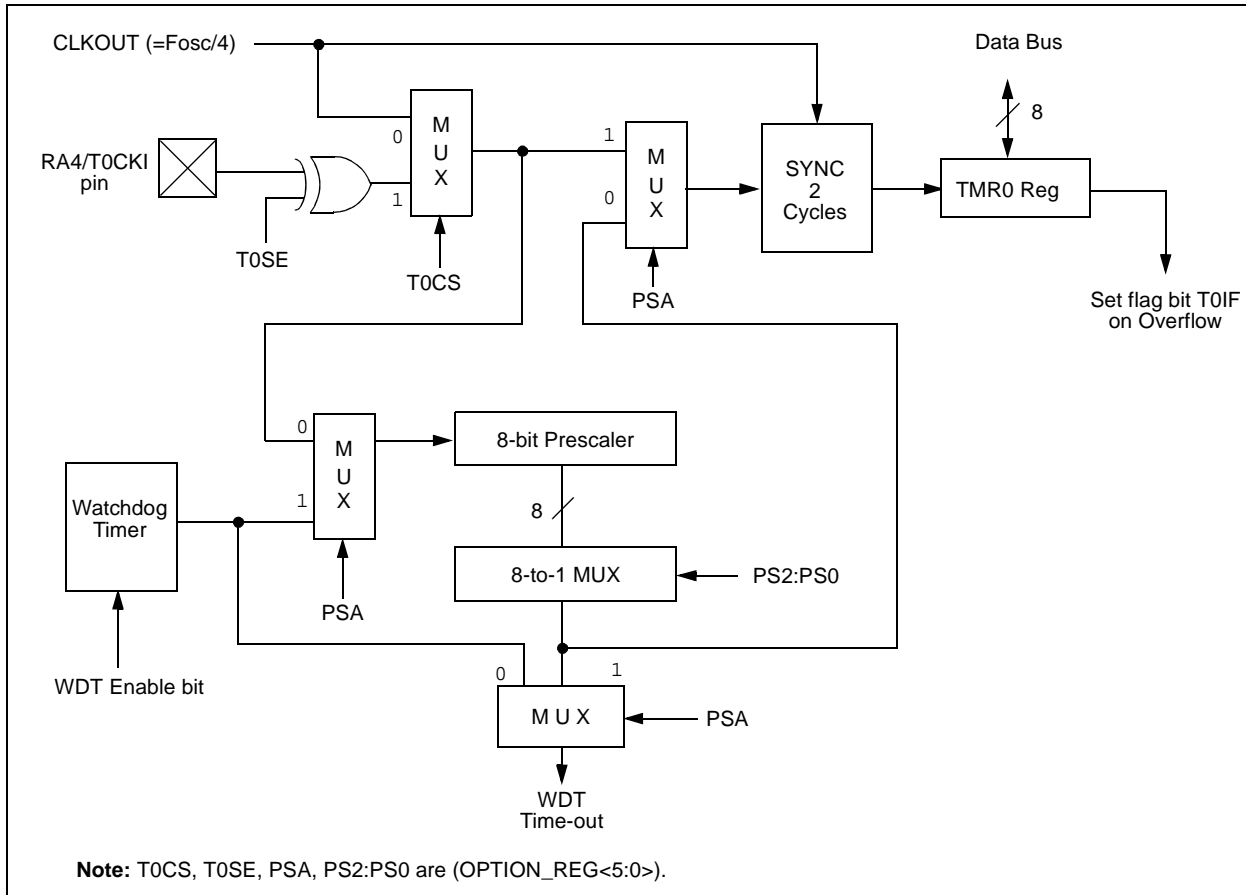
The prescaler assignment is fully under software control (i.e., it can be changed “on the fly” during program execution).

**Note:** To avoid an unintended device Reset, a specific instruction sequence (shown in the PIC® Mid-Range Reference Manual, DS33023) must be executed when changing the prescaler assignment from Timer0 to the WDT. This sequence must be followed even if the WDT is disabled.

## 4.3 Timer0 Interrupt

The TMR0 interrupt is generated when the TMR0 register overflows from FFh to 00h. This overflow sets bit T0IF (INTCON<2>). The interrupt can be masked by clearing bit T0IE (INTCON<5>). Bit T0IF must be cleared in software by the Timer0 module Interrupt Service Routine before re-enabling this interrupt. The TMR0 interrupt cannot awaken the processor from Sleep since the timer is shut off during Sleep.

**FIGURE 4-2: BLOCK DIAGRAM OF THE TIMER0/WDT PRESCALER**



**TABLE 4-1: REGISTERS ASSOCIATED WITH TIMER0**

| Address | Name       | Bit 7                    | Bit 6  | Bit 5            | Bit 4 | Bit 3                         | Bit 2 | Bit 1 | Bit 0     | Value on: POR, BOR | Value on all other Resets |
|---------|------------|--------------------------|--------|------------------|-------|-------------------------------|-------|-------|-----------|--------------------|---------------------------|
| 01h     | TMR0       | Timer0 Module's Register |        |                  |       |                               |       |       |           | xxxx xxxx          | uuuu uuuu                 |
| 0Bh,8Bh | INTCON     | GIE                      | PEIE   | T0IE             | INTE  | RBIE                          | T0IF  | INTF  | RBIF      | 0000 000x          | 0000 000u                 |
| 81h     | OPTION_REG | RBPU                     | INTEDG | T0CS             | T0SE  | PSA                           | PS2   | PS1   | PS0       | 1111 1111          | 1111 1111                 |
| 85h     | TRISA      | —                        | —      | — <sup>(1)</sup> | Bit 4 | PORTA Data Direction Register |       |       | --11 1111 | --11 1111          |                           |

**Legend:** x = unknown, u = unchanged, — = unimplemented locations read as '0'. Shaded cells are not used by Timer0.

**Note 1:** Reserved bit; Do Not Use.

## 5.0 TIMER1 MODULE

The Timer1 module timer/counter has the following features:

- 16-bit timer/counter  
(Two 8-bit registers; TMR1H and TMR1L)
- Readable and writable (Both registers)
- Internal or external clock select
- Interrupt on overflow from FFFFh to 0000h
- Reset from CCP module trigger

Timer1 has a control register, shown in Figure 5-1. Timer1 can be enabled/disabled by setting/clearing control bit TMR1ON (T1CON<0>).

Figure 5-2 is a simplified block diagram of the Timer1 module.

Additional information on timer modules is available in the PIC® Mid-Range Reference Manual, (DS33023).

## 5.1 Timer1 Operation

Timer1 can operate in one of these modes:

- As a timer
- As a synchronous counter
- As an asynchronous counter

The operating mode is determined by the clock select bit, TMR1CS (T1CON<1>).

In timer mode, Timer1 increments every instruction cycle. In counter mode, it increments on every rising edge of the external clock input.

When the Timer1 oscillator is enabled (T1OSCEN is set), the RB2/T1OSI and RB1/T1OSO/T1CKI pins become inputs. That is, the TRISB<2:1> value is ignored.

Timer1 also has an internal "Reset input". This Reset can be generated by the CCP module (see **Section 7.0 "Capture/Compare/PWM (CCP) Module(s)"**).

**FIGURE 5-1: T1CON: TIMER1 CONTROL REGISTER (ADDRESS 10h)**

|      |     |         |         |         |                     |        |        |      |
|------|-----|---------|---------|---------|---------------------|--------|--------|------|
| U-0  | U-0 | R/W-0   | R/W-0   | R/W-0   | R/W-0               | R/W-0  | R/W-0  |      |
| —    | —   | T1CKPS1 | T1CKPS0 | T1OSCEN | $\overline{T1SYNC}$ | TMR1CS | TMR1ON |      |
| bit7 |     |         |         |         |                     |        |        | bit0 |

R = Readable bit  
W = Writable bit  
U = Unimplemented bit, read as '0'  
-n = Value at POR Reset

bit 7-6: **Unimplemented:** Read as '0'

bit 5-4: **T1CKPS1:T1CKPS0:** Timer1 Input Clock Prescale Select bits  
11 = 1:8 Prescale value  
10 = 1:4 Prescale value  
01 = 1:2 Prescale value  
00 = 1:1 Prescale value

bit 3: **T1OSCEN:** Timer1 Oscillator Enable Control bit  
1 = Oscillator is enabled  
0 = Oscillator is shut off  
Note: The oscillator inverter and feedback resistor are turned off to eliminate power drain

bit 2:  **$\overline{T1SYNC}$ :** Timer1 External Clock Input Synchronization Control bit

**TMR1CS = 1**  
1 = Do not synchronize external clock input  
0 = Synchronize external clock input

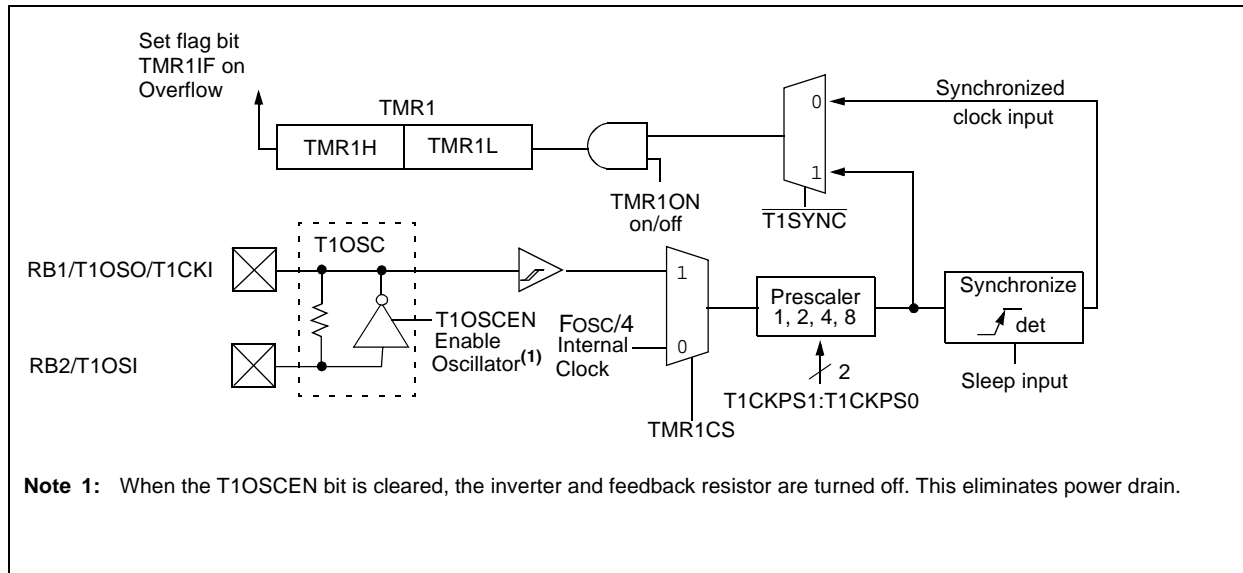
**TMR1CS = 0**  
This bit is ignored. Timer1 uses the internal clock when TMR1CS = 0.

bit 1: **TMR1CS:** Timer1 Clock Source Select bit  
1 = External clock from pin RB1/T1OSO/T1CKI (on the rising edge)  
0 = Internal clock (Fosc/4)

bit 0: **TMR1ON:** Timer1 On bit  
1 = Enables Timer1  
0 = Stops Timer1

# PIC16C712/716

**FIGURE 5-2: TIMER1 BLOCK DIAGRAM**



## 5.2 Timer1 Module and PORTB Operation

When Timer1 is configured as timer running from the main oscillator, PORTB<2:1> operate as normal I/O lines. When Timer1 is configured to function as a counter however, the clock source selection may affect the operation of PORTB<2:1>. Multiplexing details of the Timer1 clock selection on PORTB are shown in Figure 3-4 and Figure 3-5.

The clock source for Timer1 in the Counter mode can be from one of the following:

1. External circuit connected to the RB1/T1OSO/T1CKI pin
2. Firmware controlled DATA CCP<0> bit, DT1CKI
3. Timer1 oscillator

Table 5-1 shows the details of Timer1 mode selections, control bit settings, TMR1 and PORTB operations.



**TABLE 5-1: TMR1 MODULE AND PORTB OPERATION**

| TMR1 Module Mode | Clock Source      | Control Bits                             | TMR1 Module Operation  | PORTB<2:1> Operation   |
|------------------|-------------------|--|--|--|
| Off              | N/A               | T1CON = --xx 0x00                        | Off  | PORTB<2:1> function as normal I/O  |
| Timer            | Fosc/4            | T1CON = --xx 0x01                        | TMR1 module uses the main oscillator as clock source. TMR1ON can turn on or turn off Timer1.   | PORTB<2:1> function as normal I/O  |
| Counter          | External circuit  | T1CON = --xx 0x11<br>TR1SCCP = ---- -x-1 | TMR1 module uses the external signal on the RB1/T1OSO/T1CKI pin as a clock source. TMR1ON can turn on or turn off Timer1. DT1CK can read the signal on the RB1/T1OSO/T1CKI pin.  | PORTB<2> functions as normal I/O. PORTB<1> always reads '0' when configured as input. If PORTB<1> is configured as output, reading PORTB<1> will read the data latch. Writing to PORTB<1> will always store the result in the data latch, but not to the RB1/T1OSO/T1CKI pin. If the TMR1CS bit is cleared (TMR1 reverts to the timer mode), then pin PORTB<1> will be driven with the value in the data latch.  |
|                  | Firmware          | T1CON = --xx 0x11<br>TR1SCCP = ---- -x-0 | DATAACP<0> bit drives RB1/T1OSO/T1CKI and produces the TMR1 clock source. TMR1ON can turn on or turn off Timer1. The DATAACP<0> bit, DT1CK, can read and write to the RB1/T1OSO/T1CKI pin.   |  |
|                  | Timer1 oscillator | T1CON = --xx 1x11                        | RB1/T1OSO/T1CKI and RB2/T1OSI are configured as a 2 pin crystal oscillator. RB1/T1OSI/T1CKI is the clock input for TMR1. TMR1ON can turn on or turn off Timer1. DATAACP<1> bit, DT1CK, always reads '0' as input and can not write to the RB1/T1OSO/T1CK1 pin. | PORTB<2:1> always read '0' when configured as inputs. If PORTB<2:1> are configured as outputs, reading PORTB<2:1> will read the data latches. Writing to PORTB<2:1> will always store the result in the data latches, but not to the RB2/T1OSI and RB1/T1OSO/T1CKI pins. If the TMR1CS and T1OSCEN bits are cleared (TMR1 reverts to the timer mode and TMR1 oscillator is disabled), then pin PORTB<2:1> will be driven with the value in the data latches. |

# PIC16C712/716

## 5.3 Timer1 Oscillator

A crystal oscillator circuit is built in between pins T1OSI (input) and T1OSO (amplifier output). It is enabled by setting control bit T1OSCEN (T1CON<3>). The oscillator is a low-power oscillator rated up to 200 kHz. It will continue to run during Sleep. It is primarily intended for a 32 kHz crystal. Table 5-2 shows the capacitor selection for the Timer1 oscillator.

The Timer1 oscillator is identical to the LP oscillator. The user must provide a software time delay to ensure proper oscillator start-up.

**TABLE 5-2: CAPACITOR SELECTION FOR THE TIMER1 OSCILLATOR**

| Osc Type  | Freq.   | C1    | C2    |
|---|---------|-------|-------|
| LP  | 32 kHz  | 33 pF | 33 pF |
|   | 100 kHz | 15 pF | 15 pF |
|   | 200 kHz | 15 pF | 15 pF |
| <b>These values are for design guidance only.</b>   |         |       |       |
| <b>Note 1:</b> Higher capacitance increases the stability of oscillator but also increases the start-up time.   |         |       |       |
| <b>2:</b> Since each resonator/crystal has its own characteristics, the user should consult the resonator/crystal manufacturer for appropriate values of external components. |         |       |       |

## 5.4 Timer1 Interrupt

The TMR1 Register pair (TMR1H:TMR1L) increments from 0000h to FFFFh and rolls over to 0000h. The TMR1 interrupt, if enabled, is generated on overflow which is latched in interrupt flag bit TMR1IF (PIR1<0>). This interrupt can be enabled/disabled by setting/clearing TMR1 interrupt enable bit TMR1IE (PIE1<0>).

## 5.5 Resetting Timer1 using a CCP Trigger Output

If the CCP module is configured in Compare mode to generate a "Special Event Trigger" (CCP1M3:CCP1M0 = 1011), this signal will reset Timer1 and start an A/D conversion (if the A/D module is enabled).

**Note:** The Special Event Triggers from the CCP1 module will not set interrupt flag bit TMR1IF (PIR1<0>).

Timer1 must be configured for either Timer or Synchronized Counter mode to take advantage of this feature. If Timer1 is running in Asynchronous Counter mode, this reset operation may not work.

In the event that a write to Timer1 coincides with a Special Event Trigger from CCP1, the write will take precedence.

In this mode of operation, the CCPR1H:CCPR1L registers pair effectively becomes the period register for Timer1.

**TABLE 5-3: REGISTERS ASSOCIATED WITH TIMER1 AS A TIMER/COUNTER**

| Address | Name         | Bit 7   | Bit 6 | Bit 5   | Bit 4   | Bit 3   | Bit 2           | Bit 1  | Bit 0  | Value on POR, BOR | Value on all other Resets |
|---------|--------------|---|-------|---------|---------|---------|-----------------|--------|--------|-------------------|---------------------------|
| 0Bh,8Bh | INTCON       | GIE   | PEIE  | T0IE    | INTE    | RBIE    | T0IF            | INTF   | RBIF   | 0000 000x         | 0000 000u                 |
| 0Ch     | PIR1         | —   | ADIF  | —       | —       | —       | CCP1IF          | TMR2IF | TMR1IF | -0-- -000         | -0-- -000                 |
| 8Ch     | PIE1         | —   | ADIE  | —       | —       | —       | CCP1IE          | TMR2IE | TMR1IE | -0-- -000         | -0-- -000                 |
| 0Eh     | TMR1L        | Holding Register for the Least Significant Byte of the 16-bit TMR1 Register |       |         |         |         |                 |        |        | xxxx xxxx         | uuuu uuuu                 |
| 0Fh     | TMR1H        | Holding Register for the Most Significant Byte of the 16-bit TMR1 Register  |       |         |         |         |                 |        |        | xxxx xxxx         | uuuu uuuu                 |
| 10h     | T1CON        | —   | —     | T1CKPS1 | T1CKPS0 | T1OSCEN | T1SYN $\bar{C}$ | TMR1CS | TMR1ON | --00 0000         | --uu uuuu                 |
| 07h     | DATAACC<br>P | —   | —     | —       | —       | —       | DCCP            | —      | DT1CK  | ---- -x-x         | ---- -u-u                 |
| 87h     | TRISCCP      | —   | —     | —       | —       | —       | TCCP            | —      | TT1CK  | ---- -1-1         | ---- -1-1                 |

**Legend:** x = unknown, u = unchanged, — = unimplemented read as '0'. Shaded cells are not used by the Timer1 module.

NOTES:

# PIC16C712/716

## 6.0 TIMER2 MODULE

The Timer2 module timer has the following features:

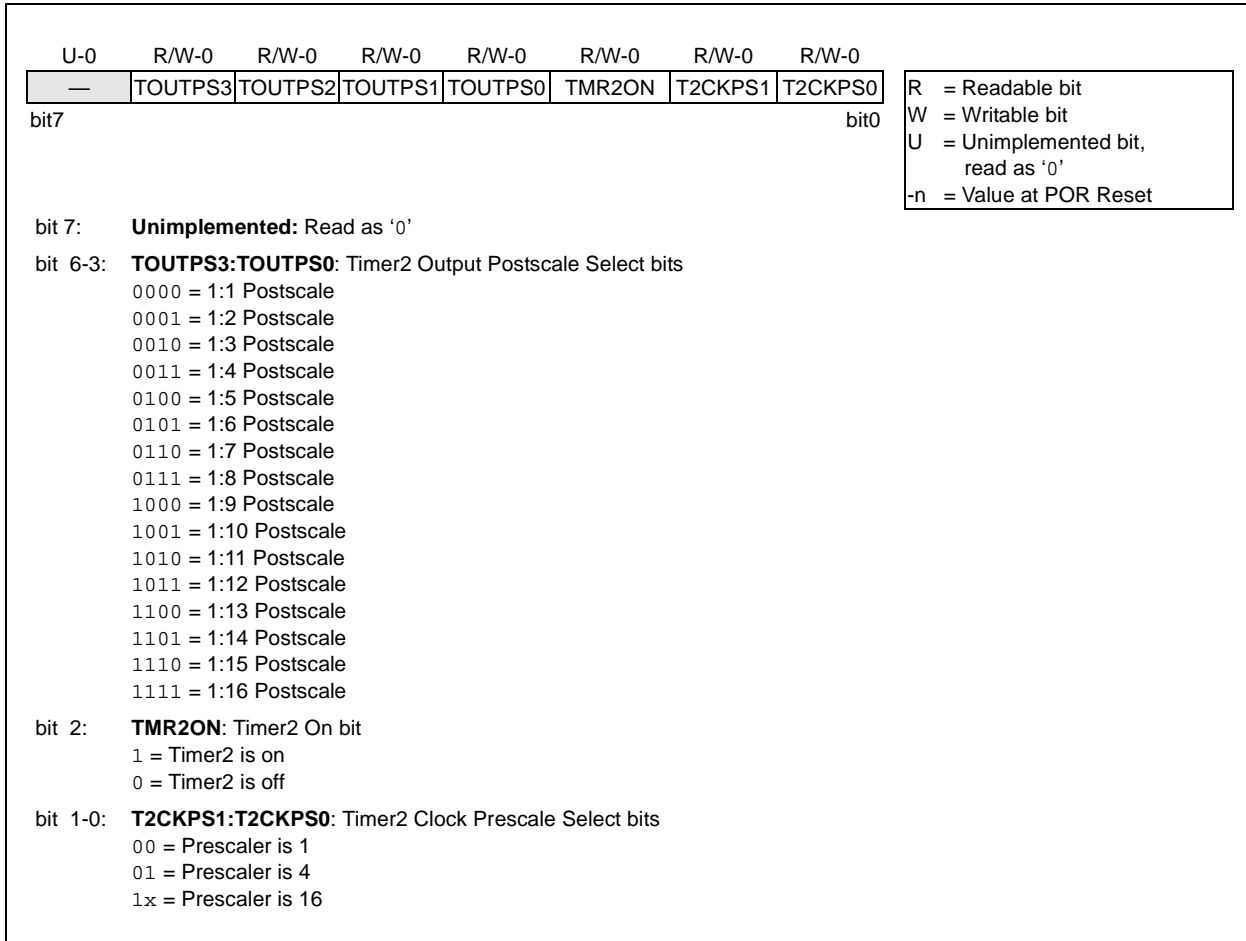
- 8-bit timer (TMR2 register)
- 8-bit period register (PR2)
- Readable and writable (both registers)
- Software programmable prescaler (1:1, 1:4, 1:16)
- Software programmable postscaler (1:1 to 1:16)
- Interrupt on TMR2 match of PR2

Timer2 has a control register, shown in Figure 6-1. Timer2 can be shut off by clearing control bit TMR2ON (T2CON<2>) to minimize power consumption.

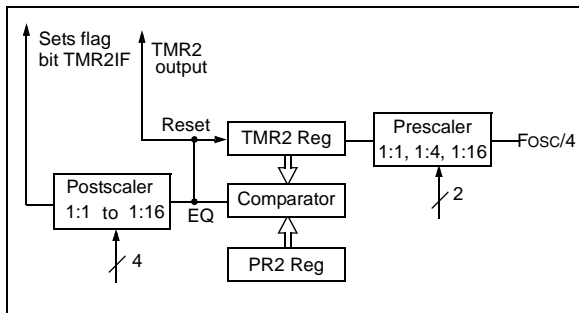
Figure 6-2 is a simplified block diagram of the Timer2 module.

Additional information on timer modules is available in the PIC<sup>®</sup> Mid-Range Reference Manual, (DS33023).

**FIGURE 6-1: T2CON: TIMER2 CONTROL REGISTER (ADDRESS 12h)**



**FIGURE 6-2: TIMER2 BLOCK DIAGRAM**



## 6.1 Timer2 Operation

Timer2 can be used as the PWM time base for PWM mode of the CCP module.

The TMR2 register is readable and writable, and is cleared on any device Reset.

The input clock ( $F_{osc}/4$ ) has a prescale option of 1:1, 1:4 or 1:16, selected by control bits T2CKPS1:T2CKPS0 (T2CON<1:0>).

The match output of TMR2 goes through a 4-bit postscaler (which gives a 1:1 to 1:16 scaling inclusive) to generate a TMR2 interrupt (latched in flag bit TMR2IF, (PIR1<1>)).

The prescaler and postscaler counters are cleared when any of the following occurs:

- a write to the TMR2 register
- a write to the T2CON register
- any device Reset (Power-on Reset,  $\overline{MCLR}$  Reset, Watchdog Timer Reset, or Brown-out Reset)

TMR2 is not cleared when T2CON is written.

## 6.2 Timer2 Interrupt

The Timer2 module has an 8-bit period register PR2. Timer2 increments from 00h until it matches PR2 and then resets to 00h on the next increment cycle. PR2 is a readable and writable register. The PR2 register is initialized to FFh upon Reset.

**TABLE 6-1: REGISTERS ASSOCIATED WITH TIMER2 AS A TIMER/COUNTER**

| Address | Name   | Bit 7                    | Bit 6   | Bit 5   | Bit 4   | Bit 3   | Bit 2  | Bit 1   | Bit 0   | Value on POR, BOR | Value on all other Resets |
|---------|--------|--------------------------|---------|---------|---------|---------|--------|---------|---------|-------------------|---------------------------|
| 0Bh,8Bh | INTCON | GIE                      | PEIE    | TOIE    | INTE    | RBIE    | TOIF   | INTF    | RBIF    | 0000 000x         | 0000 000u                 |
| 0Ch     | PIR1   | —                        | ADIF    | —       | —       | —       | CCP1IF | TMR2IF  | TMR1IF  | -00- -000         | 0000 -000                 |
| 8Ch     | PIE1   | —                        | ADIE    | —       | —       | —       | CCP1IE | TMR2IE  | TMR1IE  | -0-- -000         | 0000 -000                 |
| 11h     | TMR2   | Timer2 Module's Register |         |         |         |         |        |         |         | 0000 0000         | 0000 0000                 |
| 12h     | T2CON  | —                        | TOUTPS3 | TOUTPS2 | TOUTPS1 | TOUTPS0 | TMR2ON | T2CKPS1 | T2CKPS0 | -000 0000         | -000 0000                 |
| 92h     | PR2    | Timer2 Period Register   |         |         |         |         |        |         |         | 1111 1111         | 1111 1111                 |

**Legend:** x = unknown, u = unchanged, — = unimplemented read as '0'. Shaded cells are not used by the Timer2 module.

# PIC16C712/716

---

NOTES:

## 7.0 CAPTURE/COMPARE/PWM (CCP) MODULE(S)

Each CCP (Capture/Compare/PWM) module contains a 16-bit register, which can operate as a 16-bit capture register, as a 16-bit compare register or as a PWM master/slave Duty Cycle register. Table 7-1 shows the timer resources of the CCP module modes.

Capture/Compare/PWM Register 1 (CCPR1) is comprised of two 8-bit registers: CCPR1L (low byte) and CCPR1H (high byte). The CCP1CON register controls the operation of CCP1. All are readable and writable.

Additional information on the CCP module is available in the PIC® Mid-Range Reference Manual, (DS33023).

**TABLE 7-1: CCP MODE – TIMER RESOURCE**

| CCP Mode | Timer Resource |
|----------|----------------|
| Capture  | Timer1         |
| Compare  | Timer1         |
| PWM      | Timer2         |

**FIGURE 7-1: CCP1CON REGISTER (ADDRESS 17h)**

|      |     |       |       |        |        |        |        |      |
|------|-----|-------|-------|--------|--------|--------|--------|------|
| U-0  | U-0 | R/W-0 | R/W-0 | R/W-0  | R/W-0  | R/W-0  | R/W-0  |      |
| —    | —   | DC1B1 | DC1B0 | CCP1M3 | CCP1M2 | CCP1M1 | CCP1M0 |      |
| bit7 |     |       |       |        |        |        |        | bit0 |

R = Readable bit  
 W = Writable bit  
 U = Unimplemented bit, read as '0'  
 -n = Value at POR Reset

bit 7-6: **Unimplemented:** Read as '0'

bit 5-4: **DC1B1:DC1B0:** PWM Least Significant bits  
 Capture Mode: Unused  
 Compare Mode: Unused  
 PWM Mode: These bits are the two LSBs of the PWM duty cycle. The eight MSBs are found in CCPR1L.

bit 3-0: **CCP1M3:CCP1M0:** CCP1 Mode Select bits  
 0000 = Capture/Compare/PWM off (resets CCP1 module)  
 0100 = Capture mode, every falling edge  
 0101 = Capture mode, every rising edge  
 0110 = Capture mode, every 4th rising edge  
 0111 = Capture mode, every 16th rising edge  
 1000 = Compare mode, set output on match (CCP1IF bit is set)  
 1001 = Compare mode, clear output on match (CCP1IF bit is set)  
 1010 = Compare mode, generate software interrupt on match (CCP1IF bit is set, CCP1 pin is unaffected)  
 1011 = Compare mode, trigger special event (CCP1IF bit is set; CCP1 resets TMR1 and starts an A/D conversion (if A/D module is enabled))  
 11xx = PWM mode

**FIGURE 7-2: TRISCCP REGISTER (ADDRESS 87H)**

|       |       |       |       |       |       |       |       |
|-------|-------|-------|-------|-------|-------|-------|-------|
| R/W-1 | R/W-1 | R/W-1 | R/W-1 | R/W-1 | R/W-1 | R/W-1 | R/W-1 |
| —     | —     | —     | —     | —     | TCCP  | —     | TT1CK |
| bit7  |       |       |       |       |       | bit0  |       |

R = Readable bit  
 W = Writable bit  
 U = Unimplemented bit, read as '0'  
 -n = Value at POR Reset

bit 7-3: **Reserved bits; Do Not Use**

bit 2: **TCCP – Tri-state control bit for CCP**  
 0 = Output pin driven  
 1 = Output pin tristated

bit 1: **Reserved bit; Do Not Use**

bit 0: **TT1CK – Tri-state control bit for T1CKI pin**  
 0 = T1CKI pin is an output  
 1 = T1CKI pin is an input

# PIC16C712/716

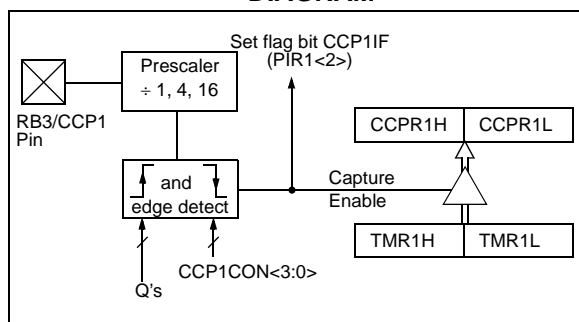
## 7.1 Capture Mode

In Capture mode, CCP1H:CCP1L captures the 16-bit value of the TMR1 register when an event occurs on pin RB3/CCP1. An event is defined as:

- every falling edge
- every rising edge
- every 4th rising edge
- every 16th rising edge

An event is selected by control bits CCP1M3:CCP1M0 (CCP1CON<3:0>). When a capture is made, the interrupt request flag bit CCP1IF (PIR1<2>) is set. It must be cleared in software. If another capture occurs before the value in register CCP1 is read, the old captured value will be lost.

**FIGURE 7-3: CAPTURE MODE OPERATION BLOCK DIAGRAM**



### 7.1.1 CCP PIN CONFIGURATION

In Capture mode, the CCP output must be disabled by setting the TRISCCP<2> bit.

**Note:** If the RB3/CCP1 is configured as an output by clearing the TRISCCP<2> bit, a write to the DCCP bit can cause a capture condition.

### 7.1.2 TIMER1 MODE SELECTION

Timer1 must be running in Timer mode or Synchronized Counter mode for the CCP module to use the capture feature. In Asynchronous Counter mode, the capture operation may not work.

### 7.1.3 SOFTWARE INTERRUPT

When the Capture mode is changed, a false capture interrupt may be generated. The user should keep bit CCP1IE (PIE1<2>) clear to avoid false interrupts and should clear the flag bit CCP1IF following any such change in Operating mode.

### 7.1.4 CCP PRESCALER

There are four prescaler settings, specified by bits CCP1M3:CCP1M0. Whenever the CCP module is turned off, or the CCP module is not in Capture mode, the prescaler counter is cleared. This means that any Reset will clear the prescaler counter.

Switching from one capture prescaler to another may generate an interrupt. Also, the prescaler counter will not be cleared, therefore the first capture may be from a non-zero prescaler. Example 7-1 shows the recommended method for switching between capture prescalers. This example also clears the prescaler counter and will not generate the "false" interrupt.

**EXAMPLE 7-1: CHANGING BETWEEN CAPTURE PRESCALERS**

```
CLRF   CCP1CON      ;Turn CCP module off
MOVLW  NEW_CAPT_PS  ;Load the W reg with
                    ; the new prescaler
                    ; mode value and CCP ON
MOVWF  CCP1CON      ;Load CCP1CON with this
                    ; value
```



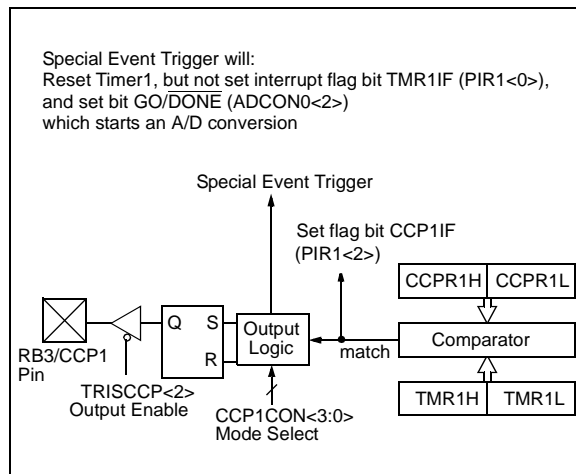
## 7.2 Compare Mode

In Compare mode, the 16-bit CCPR1 register value is constantly compared against the TMR1 register pair value. When a match occurs, the RB3/CCP1 pin is either:

- driven High
- driven Low
- remains Unchanged

The action on the pin is based on the value of control bits CCP1M3:CCP1M0 (CCP1CON<3:0>). At the same time, interrupt flag bit CCP1IF is set.

**FIGURE 7-4: COMPARE MODE OPERATION BLOCK DIAGRAM**



### 7.2.1 CCP PIN CONFIGURATION

The user must configure the RB3/CCP1 pin as the CCP output by clearing the TRISCCP<2> bit.

**Note:** Clearing the CCP1CON register will force the RB3/CCP1 compare output latch to the default low level. This is neither the PORTB I/O data latch nor the DATA CCP latch.

### 7.2.2 TIMER1 MODE SELECTION

Timer1 must be running in Timer mode or Synchronized Counter mode if the CCP module is using the compare feature. In Asynchronous Counter mode, the compare operation may not work.

### 7.2.3 SOFTWARE INTERRUPT MODE

When generate software interrupt is chosen the CCP1 pin is not affected. Only a CCP interrupt is generated (if enabled).

### 7.2.4 SPECIAL EVENT TRIGGER

In this mode, an internal hardware trigger is generated which may be used to initiate an action.

The Special Event Trigger output of CCP1 resets the TMR1 register pair. This allows the CCPR1 register to effectively be a 16-bit programmable period register for Timer1.

The Special Event Trigger output of CCP1 also starts an A/D conversion (if the A/D module is enabled).

**Note:** The Special Event Trigger from the CCP1 module will not set interrupt flag bit TMR1IF (PIR1<0>).

**TABLE 7-2: REGISTERS ASSOCIATED WITH CAPTURE, COMPARE, AND TIMER1**

| Address | Name     | Bit 7   | Bit 6 | Bit 5   | Bit 4   | Bit 3   | Bit 2           | Bit 1  | Bit 0  | Value on POR, BOR | Value on all other Resets |
|---------|----------|---|-------|---------|---------|---------|-----------------|--------|--------|-------------------|---------------------------|
| 07h     | DATA CCP | —   | —     | —       | —       | —       | DCCP            | —      | DT1CK  | xxxx xxxx         | xxxx xuxu                 |
| 0Bh,8Bh | INTCON   | GIE   | PEIE  | T0IE    | INTE    | RBIE    | T0IF            | INTF   | RBIF   | 0000 000x         | 0000 000u                 |
| 0Ch     | PIR1     | —   | ADIF  | —       | —       | —       | CCP1IF          | TMR2IF | TMR1IF | -0-- -000         | -0-- -000                 |
| 0Eh     | TMR1L    | Holding Register for the Least Significant Byte of the 16-bit TMR1 Register |       |         |         |         |                 |        |        | xxxx xxxx         | uuuu uuuu                 |
| 0Fh     | TMR1H    | Holding Register for the Most Significant Byte of the 16-bit TMR1 Register  |       |         |         |         |                 |        |        | xxxx xxxx         | uuuu uuuu                 |
| 10h     | T1CON    | —   | —     | T1CKPS1 | T1CKPS0 | T1OSCEN | T1SYN $\bar{C}$ | TMR1CS | TMR1ON | --00 0000         | --uu uuuu                 |
| 15h     | CCPR1L   | Capture/Compare/PWM Register 1 (LSB)  |       |         |         |         |                 |        |        | xxxx xxxx         | uuuu uuuu                 |
| 16h     | CCPR1H   | Capture/Compare/PWM Register 1 (MSB)  |       |         |         |         |                 |        |        | xxxx xxxx         | uuuu uuuu                 |
| 17h     | CCP1CON  | —   | —     | DC1B1   | DC1B0   | CCP1M3  | CCP1M2          | CCP1M1 | CCP1M0 | --00 0000         | --00 0000                 |
| 87h     | TRISCCP  | —   | —     | —       | —       | —       | TCCP            | —      | TT1CK  | xxxx x1x1         | xxxx x1x1                 |
| 8Ch     | PIE1     | —   | ADIE  | —       | —       | —       | CCP1IE          | TMR2IE | TMR1IE | -0-- -000         | -0-- -000                 |

**Legend:** x = unknown, u = unchanged, — = unimplemented read as '0'. Shaded cells are not used by Capture and Timer1.

# PIC16C712/716

## 7.3 PWM Mode

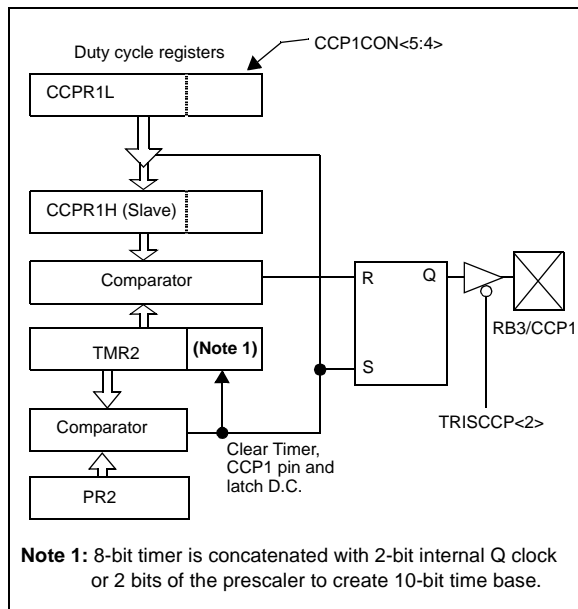
In Pulse Width Modulation (PWM) mode, the CCP1 pin produces up to a 10-bit resolution PWM output. Since the CCP1 pin is multiplexed with the PORTB data latch, the TRISCCP<2> bit must be cleared to make the CCP1 pin an output.

**Note:** Clearing the CCP1CON register will force the CCP1 PWM output latch to the default low level. This is neither the PORTB I/O data latch nor the DATAACP latch.

Figure 7-5 shows a simplified block diagram of the CCP module in PWM mode.

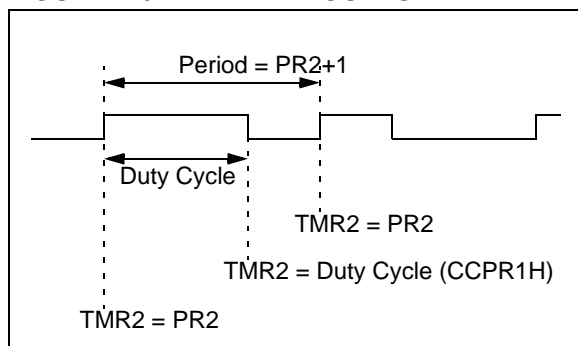
For a step by step procedure on how to set up the CCP module for PWM operation, see **Section 7.3.3 “Set-Up for PWM Operation”**.

**FIGURE 7-5: SIMPLIFIED PWM BLOCK DIAGRAM**



A PWM output (Figure 7-6) has a time base (period) and a time that the output stays high (duty cycle). The frequency of the PWM is the inverse of the period (1/period).

**FIGURE 7-6: PWM OUTPUT**



### 7.3.1 PWM PERIOD

The PWM period is specified by writing to the PR2 register. The PWM period can be calculated using the following formula:

$$\text{PWM period} = [(PR2) + 1] \cdot 4 \cdot T_{osc} \cdot (\text{TMR2 prescale value})$$

PWM frequency is defined as  $1 / [\text{PWM period}]$ .

When TMR2 is equal to PR2, the following three events occur on the next increment cycle:

- TMR2 is cleared
- The CCP1 pin is set (exception: if PWM duty cycle = 0%, the CCP1 pin will not be set)
- The PWM duty cycle is latched from CCPR1L into CCPR1H

**Note:** The Timer2 postscaler (see **Section 6.0 “Timer2 Module”**) is not used in the determination of the PWM frequency. The postscaler could be used to have a servo update rate at a different frequency than the PWM output.

### 7.3.2 PWM DUTY CYCLE

The PWM duty cycle is specified by writing to the CCPR1L register and to the CCP1CON<5:4> bits. Up to 10-bit resolution is available. The CCPR1L contains the eight MSBs and the CCP1CON<5:4> contains the two LSbs. This 10-bit value is represented by CCPR1L:CCP1CON<5:4>. The following equation is used to calculate the PWM duty cycle in time:

$$\text{PWM duty cycle} = (\text{CCPR1L:CCP1CON<5:4>}) \cdot T_{osc} \cdot (\text{TMR2 prescale value})$$

CCPR1L and CCP1CON<5:4> can be written to at any time, but the duty cycle value is not latched into CCPR1H until after a match between PR2 and TMR2 occurs (i.e., the period is complete). In PWM mode, CCPR1H is a read-only register.

The CCPR1H register and a 2-bit internal latch are used to double buffer the PWM duty cycle. This double buffering is essential for glitchless PWM operation.

When the CCPR1H and 2-bit latch match TMR2 concatenated with an internal 2-bit Q clock or 2 bits of the TMR2 prescaler, the CCP1 pin is cleared.

Maximum PWM resolution (bits) for a given PWM frequency:

$$= \frac{\log\left(\frac{F_{osc}}{F_{PWM}}\right)}{\log(2)} \text{ bits}$$

**Note:** If the PWM duty cycle value is longer than the PWM period the CCP1 pin will not be cleared.

For an example PWM period and duty cycle calculation, see the PIC® Mid-Range Reference Manual, (DS33023).

## 7.3.3 SET-UP FOR PWM OPERATION

The following steps should be taken when configuring the CCP module for PWM operation:

1. Set the PWM period by writing to the PR2 register.
2. Set the PWM duty cycle by writing to the CCPR1L register and CCP1CON<5:4> bits.
3. Make the CCP1 pin an output by clearing the TRISCCP<2> bit.
4. Set the TMR2 prescale value and enable Timer2 by writing to T2CON.
5. Configure the CCP1 module for PWM operation.

**TABLE 7-3: EXAMPLE PWM FREQUENCIES AND RESOLUTIONS AT 20 MHz**

| PWM Frequency              | 1.22 kHz | 4.88 kHz | 19.53 kHz | 78.12 kHz | 156.3 kHz | 208.3 kHz |
|----------------------------|----------|----------|-----------|-----------|-----------|-----------|
| Timer Prescaler (1, 4, 16) | 16       | 4        | 1         | 1         | 1         | 1         |
| PR2 Value                  | 0xFF     | 0xFF     | 0xFF      | 0x3F      | 0x1F      | 0x17      |
| Maximum Resolution (bits)  | 10       | 10       | 10        | 8         | 7         | 5.5       |

**TABLE 7-4: REGISTERS ASSOCIATED WITH PWM AND TIMER2**

| Address | Name     | Bit 7                                | Bit 6   | Bit 5   | Bit 4   | Bit 3   | Bit 2  | Bit 1   | Bit 0   | Value on POR, BOR | Value on all other Resets |
|---------|----------|--------------------------------------|---------|---------|---------|---------|--------|---------|---------|-------------------|---------------------------|
| 07h     | DATA CCP | —                                    | —       | —       | —       | —       | DCCP   | —       | DT1CK   | xxxx xxxx         | xxxx xuxu                 |
| 0Bh,8Bh | INTCON   | GIE                                  | PEIE    | TOIE    | INTE    | RBIE    | TOIF   | INTF    | RBIF    | 0000 000x         | 0000 000u                 |
| 0Ch     | PIR1     | —                                    | ADIF    | —       | —       | —       | CCP1IF | TMR2IF  | TMR1IF  | -0-- -000         | -0-- -000                 |
| 11h     | TMR2     | Timer2 Module's Register             |         |         |         |         |        |         |         | 0000 0000         | 0000 0000                 |
| 12h     | T2CON    | —                                    | TOUTPS3 | TOUTPS2 | TOUTPS1 | TOUTPS0 | TMR2ON | T2CKPS1 | T2CKPS0 | -000 0000         | -000 0000                 |
| 15h     | CCPR1L   | Capture/Compare/PWM Register 1 (LSB) |         |         |         |         |        |         |         | xxxx xxxx         | uuuu uuuu                 |
| 16h     | CCPR1H   | Capture/Compare/PWM Register 1 (MSB) |         |         |         |         |        |         |         | xxxx xxxx         | uuuu uuuu                 |
| 17h     | CCP1CON  | —                                    | —       | DC1B1   | DC1B0   | CCP1M3  | CCP1M2 | CCP1M1  | CCP1M0  | --00 0000         | --00 0000                 |
| 87h     | TRISCCP  | —                                    | —       | —       | —       | —       | TCCP   | —       | TT1CK   | xxxx x1x1         | xxxx x1x1                 |
| 8Ch     | PIE1     | —                                    | ADIE    | —       | —       | —       | CCP1IE | TMR2IE  | TMR1IE  | -0-- -000         | -0-- -000                 |
| 92h     | PR2      | Timer2 Module's Period Register      |         |         |         |         |        |         |         | 1111 1111         | 1111 1111                 |

**Legend:** x = unknown, u = unchanged, — = unimplemented read as '0'. Shaded cells are not used by PWM and Timer2.

# PIC16C712/716

## 7.4 CCP1 Module and PORTB Operation

When the CCP module is disabled, PORTB<3> operates as a normal I/O pin. When the CCP module is enabled, PORTB<3> operation is affected. Multiplexing details of the CCP1 module are shown on PORTB<3>, refer to Figure 3.6.

Table 7-5 below shows the effects of the CCP module operation on PORTB<3>

**TABLE 7-5: CCP1 MODULE AND PORTB OPERATION**

| CCP1 Module Mode | Control Bits                               | CCP1 Module Operation   | PORTB<3> Operation  |
|------------------|--|---|---|
| Off              | CCP1CON = --xx 0000                        | Off   | PORTB<3> functions as normal I/O.   |
| Capture          | CCP1CON = --xx 01xx<br>TRISCCP = ---- -1-x | The CCP1 module will capture an event on the RB3/CCP1 pin which is driven by an external circuit. The DCCP bit can read the signal on the RB3/CCP1 pin. | PORTB<3> always reads '0' when configured as input. If PORTB<3> is configured as output, reading PORTB<3> will read the data latch. Writing to PORTB<3> will always store the result in the data latch, but it does not drive the RB3/CCP1 pin. |
|                  | CCP1CON = --xx 01xx<br>TRISCCP = ---- -0-x | The CCP1 module will capture an event on the RB3/CCP1 pin which is driven by the DCCP bit. The DCCP bit can read the signal on the RB3/CCP1 pin.        |   |
| Compare          | CCP1CON = --xx 10xx<br>TRISCCP = ---- -0-x | The CCP1 module produces an output on the RB3/CCP1 pin when a compare event occurs. The DCCP bit can read the signal on the RB3/CCP1 pin.               |   |
| PWM              | CCP1CON = --xx 11xx<br>TRISCCP = ---- -0-x | The CCP1 module produces the PWM signal on the RB3/CCP1 pin. The DCCP bit can read the signal on the RB3/CCP1 pin.                                      |   |

## 8.0 ANALOG-TO-DIGITAL CONVERTER (A/D) MODULE

The Analog-to-Digital (A/D) Converter module has four inputs.

The A/D allows conversion of an analog input signal to a corresponding 8-bit digital number (refer to Application Note AN546 for use of A/D Converter). The output of the sample and hold is the input into the converter, which generates the result via successive approximation. The analog reference voltage is software selectable to either the device's positive supply voltage (V<sub>DD</sub>) or the voltage level on the RA3/AN3/VREF pin.

The A/D converter has a unique feature of being able to operate while the device is in Sleep mode. To operate in Sleep, the A/D conversion clock must be derived from the A/D's internal RC oscillator.

Additional information on the A/D module is available in the PIC<sup>®</sup> Mid-Range Reference Manual, (DS33023).

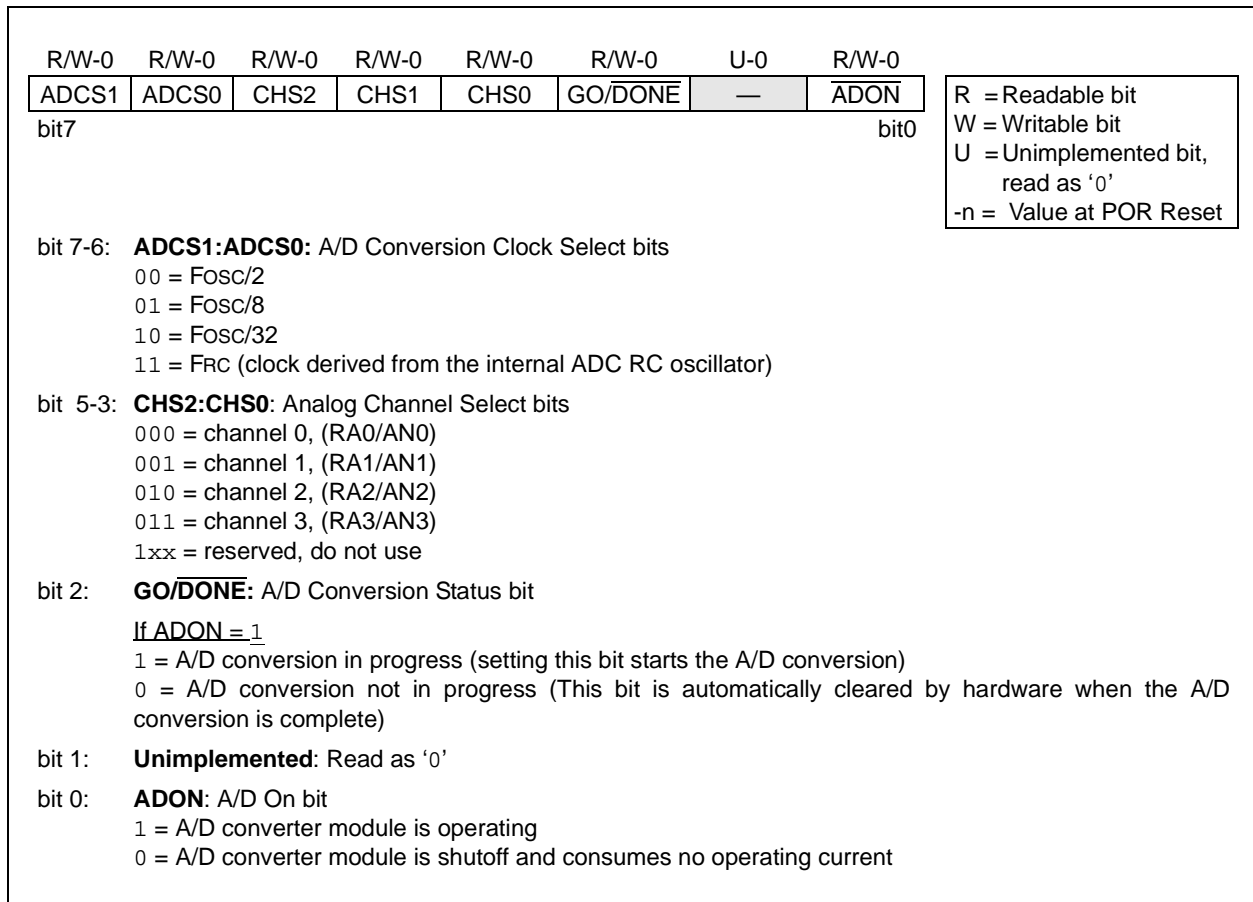
The A/D module has three registers. These registers are:

- A/D Result Register (ADRES)
- A/D Control Register 0 (ADCON0)
- A/D Control Register 1 (ADCON1)

A device Reset forces all registers to their Reset state. This forces the A/D module to be turned off, and any conversion is aborted.

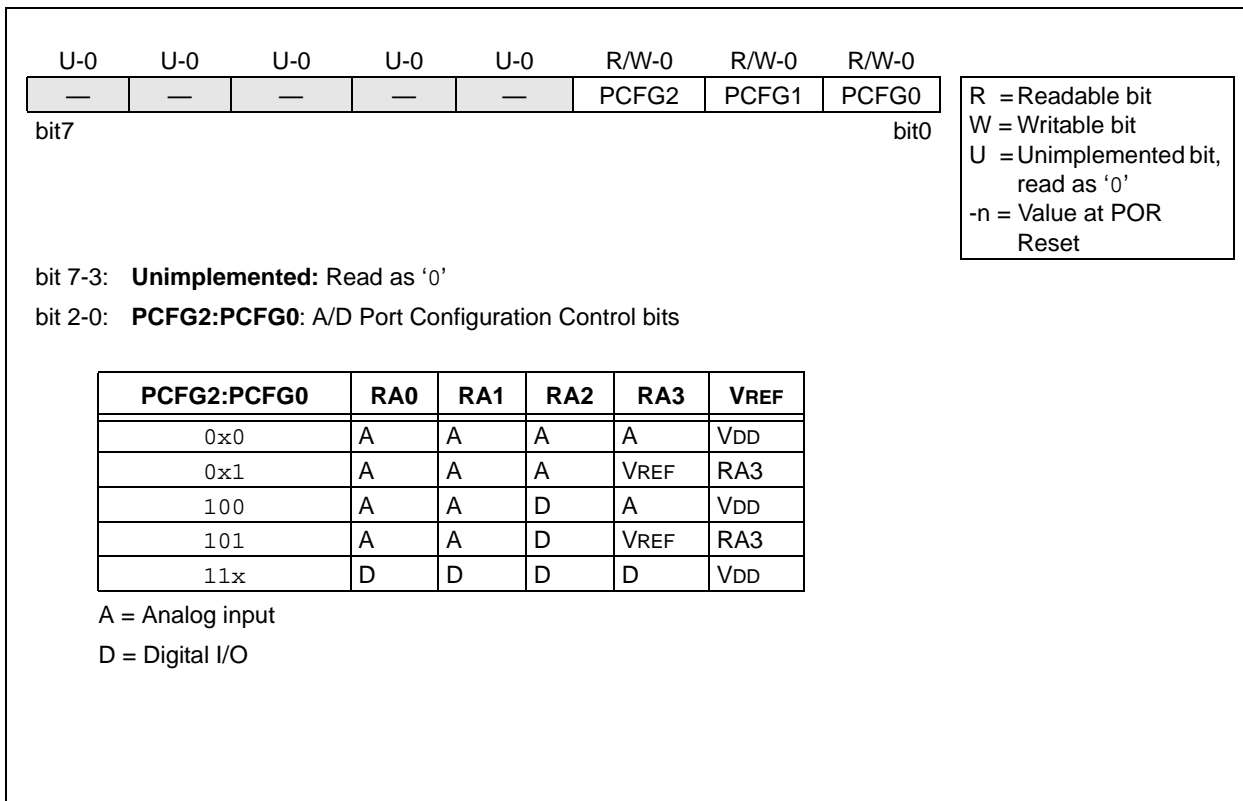
The ADCON0 register, shown in Figure 8-1, controls the operation of the A/D module. The ADCON1 register, shown in Figure 8-2, configures the functions of the port pins. The port pins can be configured as analog inputs (RA3 can also be a voltage reference) or as digital I/O.

**FIGURE 8-1: ADCON0 REGISTER (ADDRESS 1Fh)**



# PIC16C712/716

**FIGURE 8-2: ADCON1 REGISTER (ADDRESS 9Fh)**



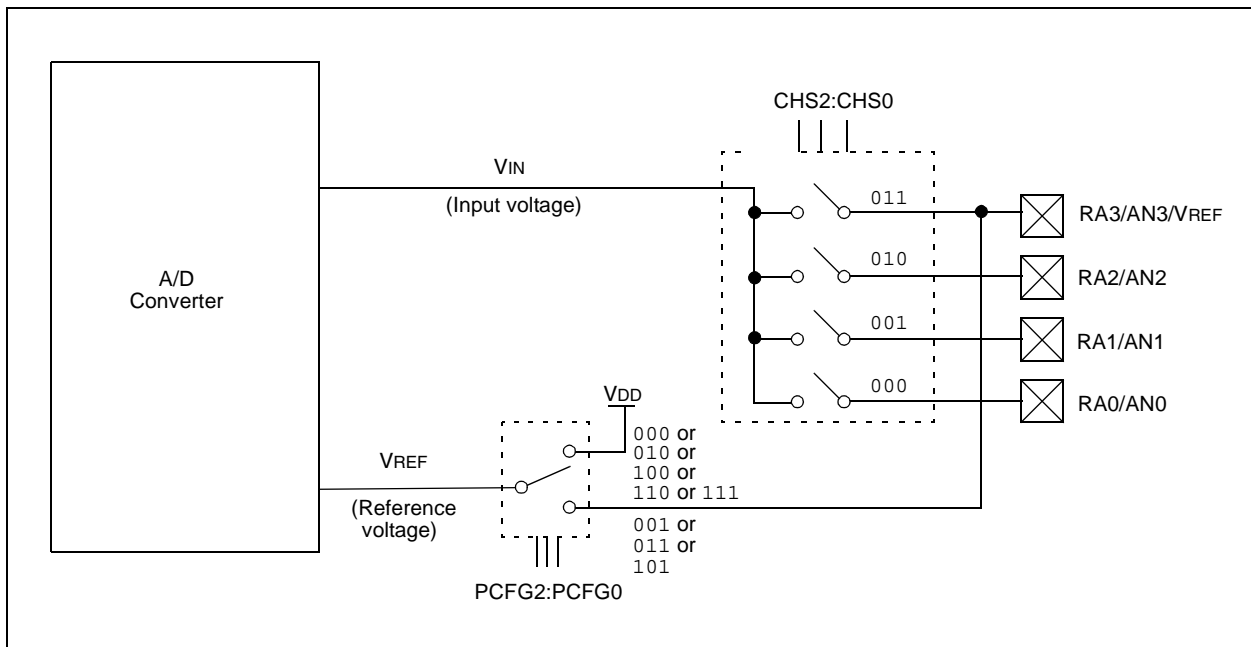
The ADRES register contains the result of the A/D conversion. When the A/D conversion is complete, the result is loaded into the ADRES register, the  $\overline{\text{GO/DONE}}$  bit (ADCON0<2>) is cleared and the A/D Interrupt Flag bit ADIF is set. The block diagram of the A/D module is shown in Figure 8-3.

The value that is in the ADRES register is not modified for a Power-on Reset. The ADRES register will contain unknown data after a Power-on Reset.

After the A/D module has been configured as desired, the selected channel must be acquired before the conversion is started. The analog input channels must have their corresponding TRIS bits selected as an input. To determine acquisition time, see **Section 8.1 “A/D Acquisition Requirements”**. After this acquisition time has elapsed, the A/D conversion can be started. The following steps should be followed for doing an A/D conversion:

1. Configure the A/D module:
  - Configure analog pins/voltage reference/ and digital I/O (ADCON1)
  - Select A/D input channel (ADCON0)
  - Select A/D conversion clock (ADCON0)
  - Turn on A/D module (ADCON0)
2. Configure A/D interrupt (if desired):
  - Clear ADIF bit
  - Set ADIE bit
  - Set GIE bit
3. Wait the required acquisition time.
4. Start conversion:
  - Set  $\overline{\text{GO/DONE}}$  bit (ADCON0)
5. Wait for A/D conversion to complete, by either:
  - Polling for the  $\overline{\text{GO/DONE}}$  bit to be cleared
  - OR
  - Waiting for the A/D interrupt
6. Read A/D Result register (ADRES), clear bit ADIF if required.
7. For the next conversion, go to step 1 or step 2 as required. The A/D conversion time per bit is defined as TAD. A minimum wait of 2TAD is required before next acquisition starts.

**FIGURE 8-3: A/D BLOCK DIAGRAM**



# PIC16C712/716

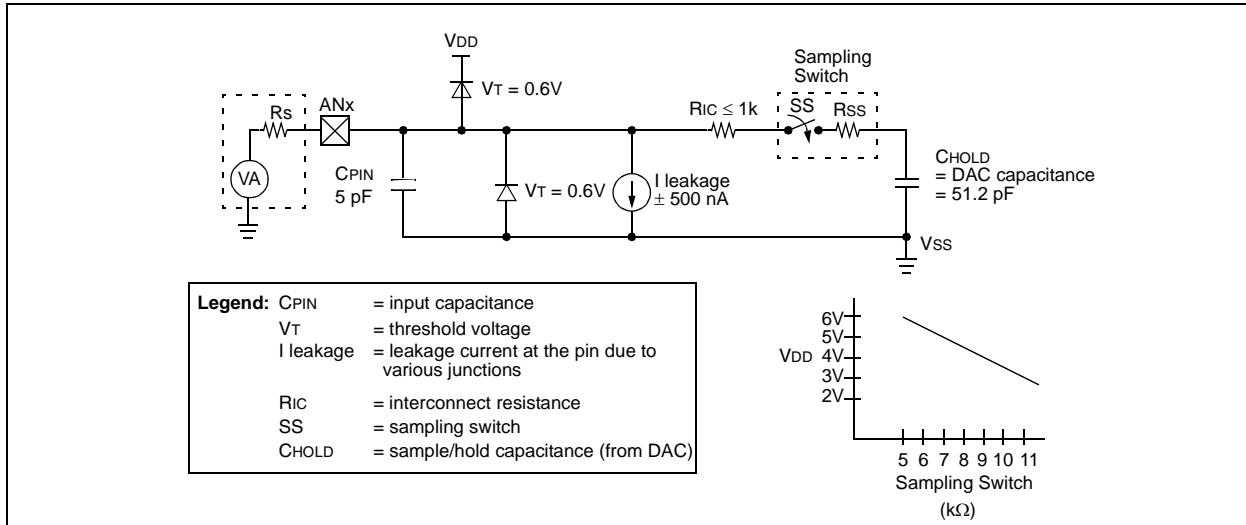
## 8.1 A/D Acquisition Requirements

For the A/D converter to meet its specified accuracy, the Charge Holding capacitor (CHOLD) must be allowed to fully charge to the input channel voltage level. The analog input model is shown in Figure 8-4. The source impedance ( $R_s$ ) and the internal sampling switch ( $R_{SS}$ ) impedance directly affect the time required to charge the capacitor CHOLD. The sampling switch ( $R_{SS}$ ) impedance varies over the device voltage ( $V_{DD}$ ). The source impedance affects the offset voltage at the analog input (due to pin leakage current). **The maximum recommended impedance for analog sources is 10 k $\Omega$ .** After the analog input channel is selected (changed) this acquisition must be done before the conversion can be started.

To calculate the minimum acquisition time,  $T_{ACQ}$ , see the PIC<sup>®</sup> Mid-Range Reference Manual, (DS33023). This equation calculates the acquisition time to within 1/2 LSB error (512 steps for the A/D). The 1/2 LSB error is the maximum error allowed for the A/D to meet its specified accuracy.

**Note:** When the conversion is started, the hold-ing capacitor is disconnected from the input pin.

**FIGURE 8-4: ANALOG INPUT MODEL**





## 8.2 Selecting the A/D Conversion Clock

The A/D conversion time per bit is defined as  $T_{AD}$ . The A/D conversion requires  $9.5T_{AD}$  per 8-bit conversion. The source of the A/D conversion clock is software selectable. The four possible options for  $T_{AD}$  are:

- $2T_{OSC}$
- $8T_{OSC}$
- $32T_{OSC}$
- Internal RC oscillator

For correct A/D conversions, the A/D conversion clock ( $T_{AD}$ ) must be selected to ensure a minimum  $T_{AD}$  time of  $1.6 \mu\text{s}$ .

Table 8-1 shows the resultant  $T_{AD}$  times derived from the device operating frequencies and the A/D clock source selected.

## 8.3 Configuring Analog Port Pins

The ADCON1 and TRISA registers control the operation of the A/D port pins. The port pins that are desired as analog inputs must have their corresponding TRIS bits set (input). If the TRIS bit is cleared (output), the digital output level ( $V_{OH}$  or  $V_{OL}$ ) will be converted.

The A/D operation is independent of the state of the CHS2:CHS0 bits and the TRIS bits.

**Note 1:** When reading the port register, all pins configured as analog input channels will read as cleared (a low level). Pins configured as digital inputs, will convert an analog input. Analog levels on a digitally configured input will not affect the conversion accuracy.

**2:** Analog levels on any pin that is defined as a digital input (including the AN3:AN0 pins), may cause the input buffer to consume current that is out of the devices specification.

**TABLE 8-1:  $T_{AD}$  vs. DEVICE OPERATING FREQUENCIES**

| AD Clock Source ( $T_{AD}$ ) |             | Device Frequency                   |                                    |                                    |                                  |
|------------------------------|-------------|------------------------------------|------------------------------------|------------------------------------|----------------------------------|
| Operation                    | ADCS1:ADCS0 | 20 MHz                             | 5 MHz                              | 1.25 MHz                           | 333.33 kHz                       |
| $2T_{OSC}$                   | 00          | 100 ns <sup>(2)</sup>              | 400 ns <sup>(2)</sup>              | 1.6 $\mu\text{s}$                  | 6 $\mu\text{s}$                  |
| $8T_{OSC}$                   | 01          | 400 ns <sup>(2)</sup>              | 1.6 $\mu\text{s}$                  | 6.4 $\mu\text{s}$                  | 24 $\mu\text{s}$ <sup>(3)</sup>  |
| $32T_{OSC}$                  | 10          | 1.6 $\mu\text{s}$                  | 6.4 $\mu\text{s}$                  | 25.6 $\mu\text{s}$ <sup>(3)</sup>  | 96 $\mu\text{s}$ <sup>(3)</sup>  |
| RC <sup>(5)</sup>            | 11          | 2-6 $\mu\text{s}$ <sup>(1,4)</sup> | 2-6 $\mu\text{s}$ <sup>(1,4)</sup> | 2-6 $\mu\text{s}$ <sup>(1,4)</sup> | 2-6 $\mu\text{s}$ <sup>(1)</sup> |

**Legend:** Shaded cells are outside of recommended range.

**Note 1:** The RC source has a typical  $T_{AD}$  time of 4  $\mu\text{s}$ .

**2:** These values violate the minimum required  $T_{AD}$  time.

**3:** For faster conversion times, the selection of another clock source is recommended.

**4:** When device frequency is greater than 1 MHz, the RC A/D conversion clock source is recommended for Sleep operation only.

**5:** For extended voltage devices (LC), please refer to Electrical Specifications section.

# PIC16C712/716

## 8.4 A/D Conversions

**Note:** The  $\overline{\text{GO/DONE}}$  bit should **NOT** be set in the same instruction that turns on the A/D.

## 8.5 Use of the CCP Trigger

An A/D conversion can be started by the “Special Event Trigger” of the CCP1 module. This requires that the CCP1M3:CCP1M0 bits (CCP1CON<3:0>) be programmed as 1011 and that the A/D module is enabled (ADON bit is set). When the trigger occurs, the

$\overline{\text{GO/DONE}}$  bit will be set, starting the A/D conversion, and the Timer1 counter will be reset to zero. Timer1 is reset to automatically repeat the A/D acquisition period with minimal software overhead (moving the ADRES to the desired location). The appropriate analog input channel must be selected and the minimum acquisition done before the “Special Event Trigger” sets the  $\overline{\text{GO/DONE}}$  bit (starts a conversion).

If the A/D module is not enabled (ADON is cleared), then the “Special Event Trigger” will be ignored by the A/D module, but will still reset the Timer1 counter.

**TABLE 8-2: SUMMARY OF A/D REGISTERS**

| Address | Name   | Bit 7               | Bit 6 | Bit 5            | Bit 4                         | Bit 3 | Bit 2                       | Bit 1  | Bit 0  | Value on POR, BOR | Value on all other Resets |     |      |
|---------|--------|---------------------|-------|------------------|-------------------------------|-------|-----------------------------|--------|--------|-------------------|---------------------------|-----|------|
| 05h     | PORTA  | —                   | —     | — <sup>(1)</sup> | RA4                           | RA3   | RA2                         | RA1    | RA0    | --xx xxxx         | --xu uuuu                 |     |      |
| 0Bh,8Bh | INTCON | GIE                 | PEIE  | TOIE             | INTE                          | RBIE  | TOIF                        | INTF   | RBIF   | 0000 000x         | 0000 000u                 |     |      |
| 0Ch     | PIR1   | —                   | ADIF  | —                | —                             | —     | CCP1IF                      | TMR2IF | TMR1IF | -0-- -000         | -0-- -000                 |     |      |
| 1Eh     | ADRES  | A/D Result Register |       |                  |                               |       |                             |        |        | xxxx xxxx         | uuuu uuuu                 |     |      |
| 1Fh     | ADCON0 | ADCS1               | ADCS0 | CHS2             | CHS1                          | CHS0  | $\overline{\text{GO/DONE}}$ | —      | ADON   | 0000 00-0         | 0000 00-0                 |     |      |
| 85h     | TRISA  | —                   | —     | — <sup>(1)</sup> | PORTA Data Direction Register |       |                             |        |        | ---               | 1111                      | --- | 1111 |
| 8Ch     | PIE1   | —                   | ADIE  | —                | —                             | —     | CCP1IE                      | TMR2IE | TMR1IE | -0-- -000         | -0-- 0000                 |     |      |
| 9Fh     | ADCON1 | —                   | —     | —                | —                             | —     | PCFG2                       | PCFG1  | PCFG0  | ---- -000         | ---- -000                 |     |      |

**Legend:** x = unknown, u = unchanged, — = unimplemented read as '0'. Shaded cells are not used for A/D conversion.

**Note 1:** Reserved bits; Do Not Use.

## 9.0 SPECIAL FEATURES OF THE CPU

The PIC16C712/716 devices have a host of features intended to maximize system reliability, minimize cost through elimination of external components, provide power-saving operating modes and offer code protection. These are:

- OSC Selection
- Reset:
  - Power-on Reset (POR)
  - Power-up Timer (PWRT)
  - Oscillator Start-up Timer (OST)
  - Brown-out Reset (BOR)
- Interrupts
- Watchdog Timer (WDT)
- Sleep
- Code protection
- ID locations
- In-Circuit Serial Programming™ (ICSP™)

These devices have a Watchdog Timer, which can be shut off only through Configuration bits. It runs off its own RC oscillator for added reliability. There are two timers that offer necessary delays on power-up. One is the Oscillator Start-up Timer (OST), intended to keep the chip in Reset until the crystal oscillator is stable. The other is the Power-up Timer (PWRT), which provides a fixed delay on power-up only and is designed to keep the part in Reset while the power supply stabilizes. With these two timers on-chip, most applications need no external Reset circuitry.

Sleep mode is designed to offer a very low-current Power-Down mode. The user can wake-up from Sleep through external Reset, Watchdog Timer Wake-up, or through an interrupt. Several oscillator options are also made available to allow the part to fit the application. The RC oscillator option saves system cost, while the LP crystal option saves power. A set of Configuration bits are used to select various options.

Additional information on special features is available in the PIC® Mid-Range Reference Manual, (DS33023).

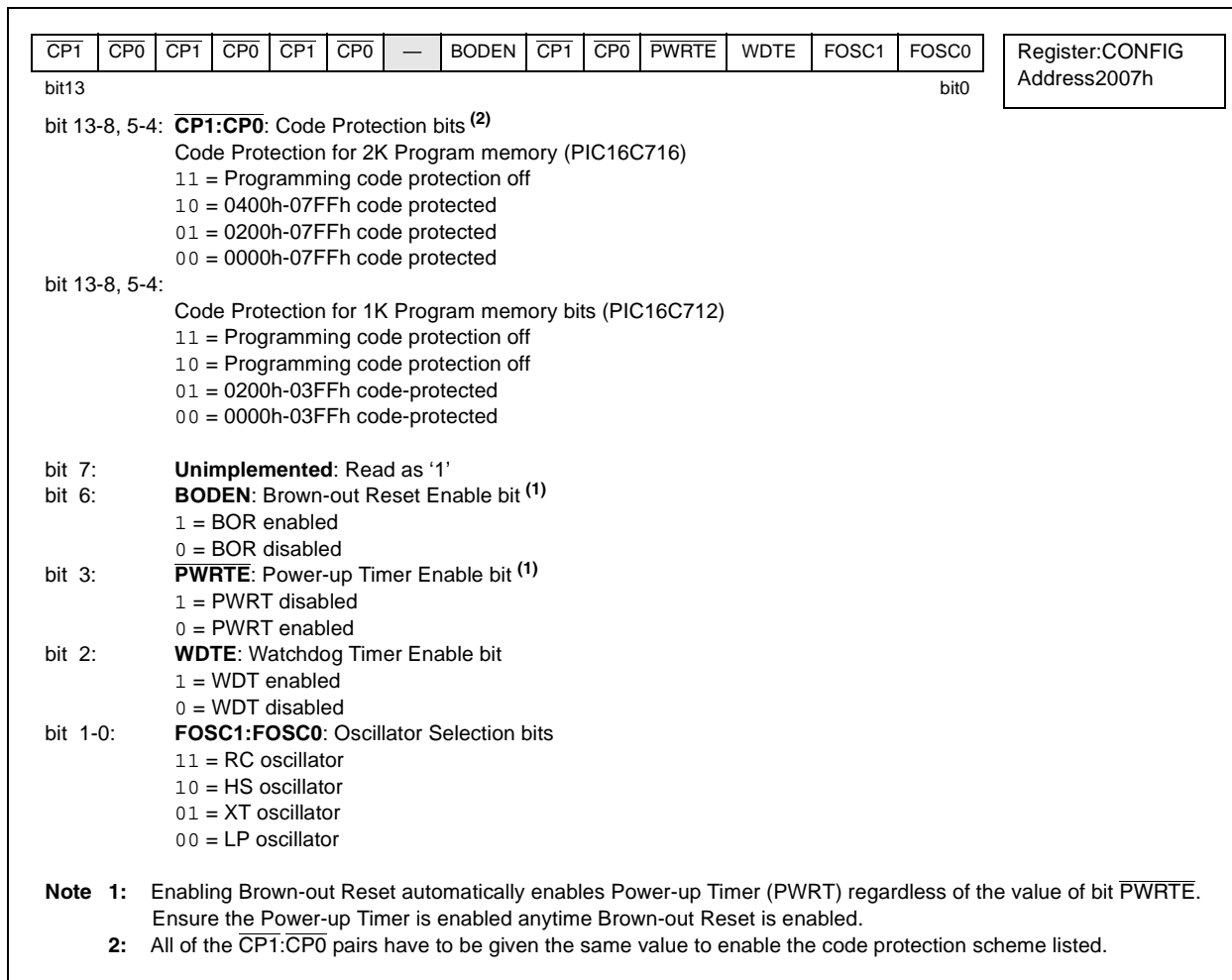
## 9.1 Configuration Bits

The Configuration bits can be programmed (read as '0') or left unprogrammed (read as '1') to select various device configurations. These bits are mapped in program memory location 2007h.

The user will note that address 2007h is beyond the user program memory space. In fact, it belongs to the special test/configuration memory space (2000h-3FFFh), which can be accessed only during programming.

# PIC16C712/716

**FIGURE 9-1: CONFIGURATION WORD**



## 9.2 Oscillator Configurations

### 9.2.1 OSCILLATOR TYPES

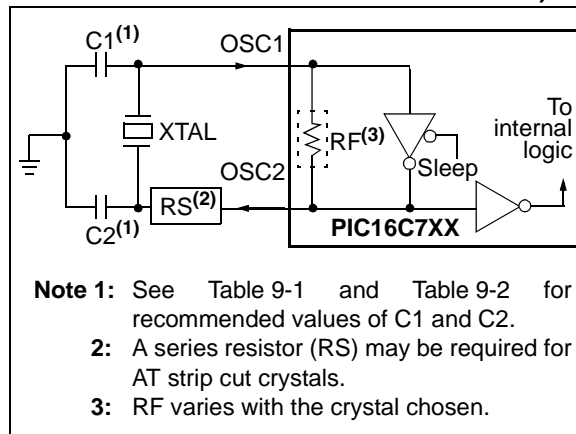
The PIC16CXXX can be operated in four different Oscillator modes. The user can program two Configuration bits (FOSC1 and FOSC0) to select one of these four modes:

- LP Low-Power Crystal
- XT Crystal/Resonator
- HS High-Speed Crystal/Resonator
- RC Resistor/Capacitor

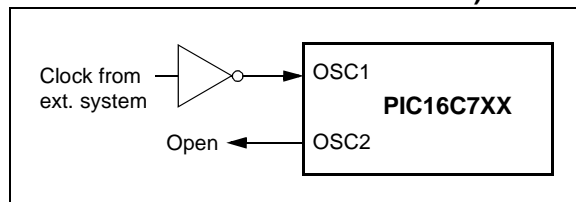
### 9.2.2 CRYSTAL OSCILLATOR/CERAMIC RESONATORS

In XT, LP or HS modes, a crystal or ceramic resonator is connected to the OSC1/CLKIN and OSC2/CLKOUT pins to establish oscillation (Figure 9-2). The PIC16CXXX oscillator design requires the use of a parallel cut crystal. Use of a series cut crystal may give a frequency out of the crystal manufacturers specifications. When in XT, LP or HS modes, the device can have an external clock source to drive the OSC1/CLKIN pin (Figure 9-3).

**FIGURE 9-2: CRYSTAL/CERAMIC RESONATOR OPERATION (HS, XT OR LP OSC CONFIGURATION)**



**FIGURE 9-3: EXTERNAL CLOCK INPUT OPERATION (HS, XT OR LP OSC CONFIGURATION)**



**TABLE 9-1: CERAMIC RESONATORS**

| Ranges Tested: |          |           |           |
|----------------|----------|-----------|-----------|
| Mode           | Freq     | OSC1      | OSC2      |
| XT             | 455 kHz  | 68-100 pF | 68-100 pF |
|                | 2.0 MHz  | 15-68 pF  | 15-68 pF  |
|                | 4.0 MHz  | 15-68 pF  | 15-68 pF  |
| HS             | 8.0 MHz  | 10-68 pF  | 10-68 pF  |
|                | 16.0 MHz | 10-22 pF  | 10-22 pF  |

**These values are for design guidance only. See notes at bottom of page.**

**TABLE 9-2: CAPACITOR SELECTION FOR CRYSTAL OSCILLATOR**

| Osc Type | Crystal Freq | Cap. Range C1 | Cap. Range C2 |
|----------|--------------|---------------|---------------|
| LP       | 32 kHz       | 33 pF         | 33 pF         |
|          | 200 kHz      | 15 pF         | 15 pF         |
| XT       | 200 kHz      | 47-68 pF      | 47-68 pF      |
|          | 1 MHz        | 15 pF         | 15 pF         |
|          | 4 MHz        | 15 pF         | 15 pF         |
| HS       | 4 MHz        | 15 pF         | 15 pF         |
|          | 8 MHz        | 15-33 pF      | 15-33 pF      |
|          | 20 MHz       | 15-33 pF      | 15-33 pF      |

**These values are for design guidance only. See notes at bottom of page.**

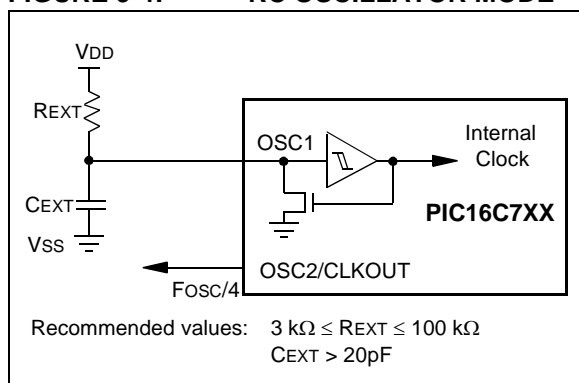
- Note 1:** Recommended values of C1 and C2 are identical to the ranges tested (Table 9-1).  
**2:** Higher capacitance increases the stability of the oscillator, but also increases the start-up time.  
**3:** Since each resonator/crystal has its own characteristics, the user should consult the resonator/crystal manufacturer for appropriate values of external components.  
**4:** Rs may be required in HS mode, as well as XT mode to avoid overdriving crystals with low drive level specification.

# PIC16C712/716

## 9.2.3 RC OSCILLATOR

For timing insensitive applications, the “RC” device option offers additional cost savings. The RC oscillator frequency is a function of the supply voltage, the resistor (R<sub>EXT</sub>) and capacitor (C<sub>EXT</sub>) values and the operating temperature. In addition to this, the oscillator frequency will vary from unit-to-unit due to normal process parameter variation. Furthermore, the difference in lead frame capacitance between package types will also affect the oscillation frequency, especially for low C<sub>EXT</sub> values. The user also needs to take into account variation due to tolerance of external R and C components used. Figure 9-4 shows how the R/C combination is connected to the PIC16CXXX.

**FIGURE 9-4: RC OSCILLATOR MODE**



## 9.3 Reset

The PIC16CXXX differentiates between various kinds of Reset:

- Power-on Reset (POR)
- $\overline{\text{MCLR}}$  Reset during normal operation
- $\overline{\text{MCLR}}$  Reset during Sleep
- WDT Reset (during normal operation)
- WDT Wake-up (during Sleep)
- Brown-out Reset (BOR)

Some registers are not affected in any Reset condition; their status is unknown on POR and unchanged in any other Reset. Most other registers are reset to a “Reset state” on Power-on Reset (POR), on the  $\overline{\text{MCLR}}$  and WDT Reset, on  $\overline{\text{MCLR}}$  Reset during Sleep and Brown-out Reset (BOR). They are not affected by a WDT Wake-up, which is viewed as the resumption of normal operation. The  $\overline{\text{TO}}$  and  $\overline{\text{PD}}$  bits are set or cleared differently in different Reset situations as indicated in Table 9-4. These bits are used in software to determine the nature of the Reset. See Table 9-6 for a full description of Reset states of all registers.

A simplified block diagram of the on-chip Reset circuit is shown in Figure 9-6.

The PIC microcontrollers have a  $\overline{\text{MCLR}}$  noise filter in the  $\overline{\text{MCLR}}$  Reset path. The filter will detect and ignore small pulses.

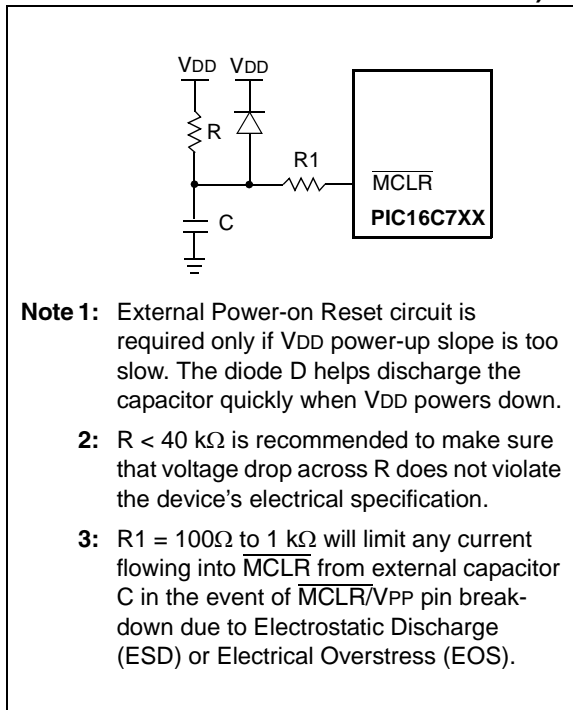
It should be noted that a WDT Reset does not drive  $\overline{\text{MCLR}}$  pin low.

## 9.4 Power-On Reset (POR)

A Power-on Reset pulse is generated on-chip when VDD rise is detected (to a level of 1.5V-2.1V). To take advantage of the POR, just tie the  $\overline{\text{MCLR}}$  pin directly (or through a resistor) to VDD. This will eliminate external RC components usually needed to create a Power-on Reset. A maximum rise time for VDD is specified (parameter D004). For a slow rise time, see Figure 9-5.

When the device starts normal operation (exits the Reset condition), device operating parameters (voltage, frequency, temperature,...) must be met to ensure operation. If these conditions are not met, the device must be held in Reset until the operating conditions are met. Brown-out Reset may be used to meet the start-up conditions.

**FIGURE 9-5: EXTERNAL POWER-ON RESET CIRCUIT (FOR SLOW VDD POWER-UP)**



## 9.5 Power-up Timer (PWRT)

The Power-up Timer provides a fixed nominal time-out (parameter #33), on power-up only, from the POR. The Power-up Timer operates on an internal RC oscillator. The chip is kept in Reset as long as the PWRT is active. The PWRT's time delay allows VDD to rise to an acceptable level. A Configuration bit is provided to enable/disable the PWRT.

The power-up time delay will vary from chip to chip due to VDD, temperature, and process variation. See DC parameters for details.

## 9.6 Oscillator Start-up Timer (OST)

The Oscillator Start-up Timer (OST) provides a 1024 oscillator cycle (from OSC1 input) delay after the PWRT delay is over (parameter #32). This ensures that the crystal oscillator or resonator has started and stabilized.

The OST time-out is invoked only for XT, LP and HS modes and only on Power-on Reset or wake-up from Sleep.

## 9.7 Brown-Out Reset (BOR)

The PIC16C712/716 members have on-chip Brown-out Reset circuitry. A Configuration bit, BODEN, can disable (if clear/programmed) or enable (if set) the Brown-out Reset circuitry. If VDD falls below 4.0V, refer to VBOR parameter D005(VBOR) for a time greater than parameter (TBOR) in Table 12-6. The brown-out situation will reset the chip. A Reset is not guaranteed to occur if VDD falls below 4.0V for less than parameter (TBOR).

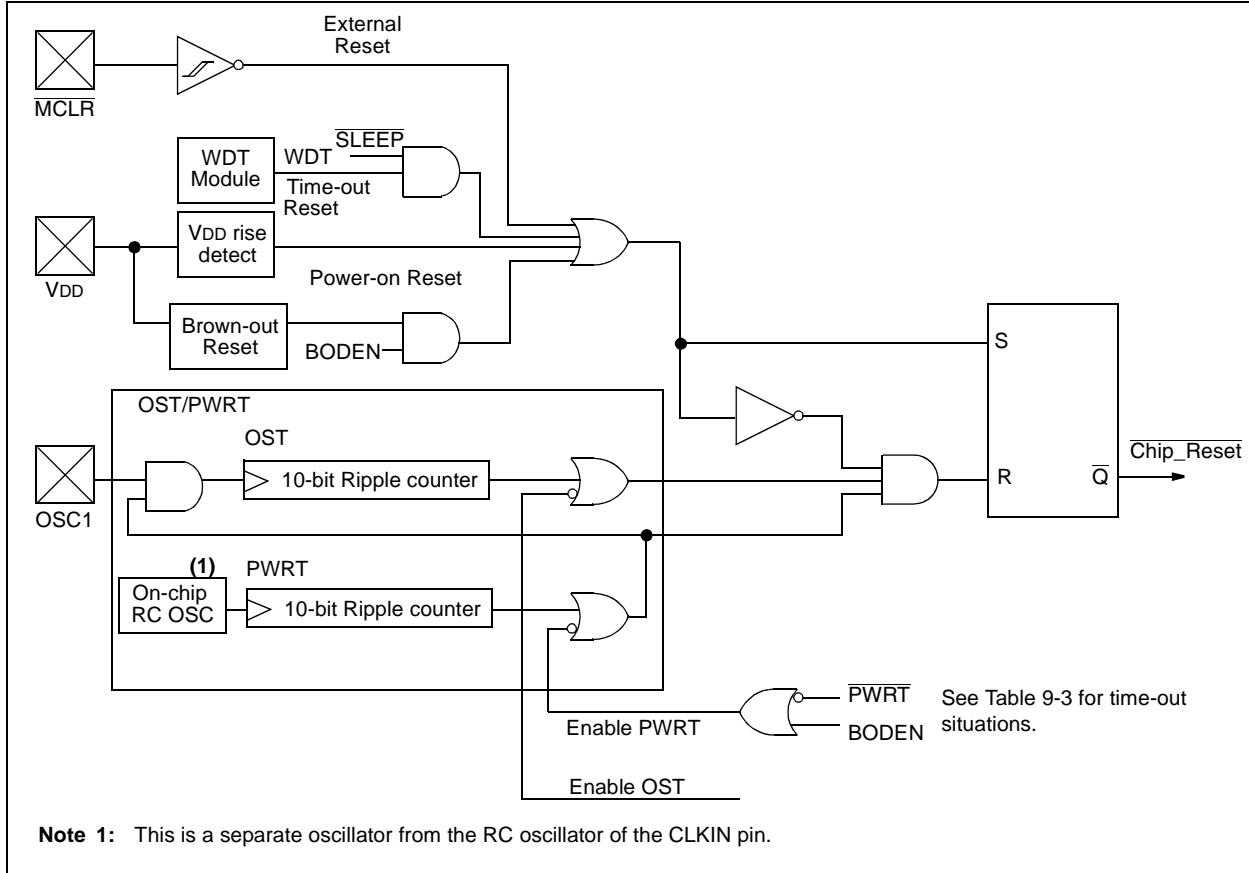
On any Reset (Power-on, Brown-out, Watchdog, etc.) the chip will remain in Reset until VDD rises above VBOR. The Power-up Timer will now be invoked and will keep the chip in Reset an additional 72 ms.

If VDD drops below VBOR while the Power-up Timer is running, the chip will go back into a Brown-out Reset and the Power-up Timer will be re-initialized. Once VDD rises above VBOR, the Power-Up Timer will execute a 72 ms Reset. The Power-up Timer should always be enabled when Brown-out Reset is enabled. Figure 9-7 shows typical Brown-out situations.

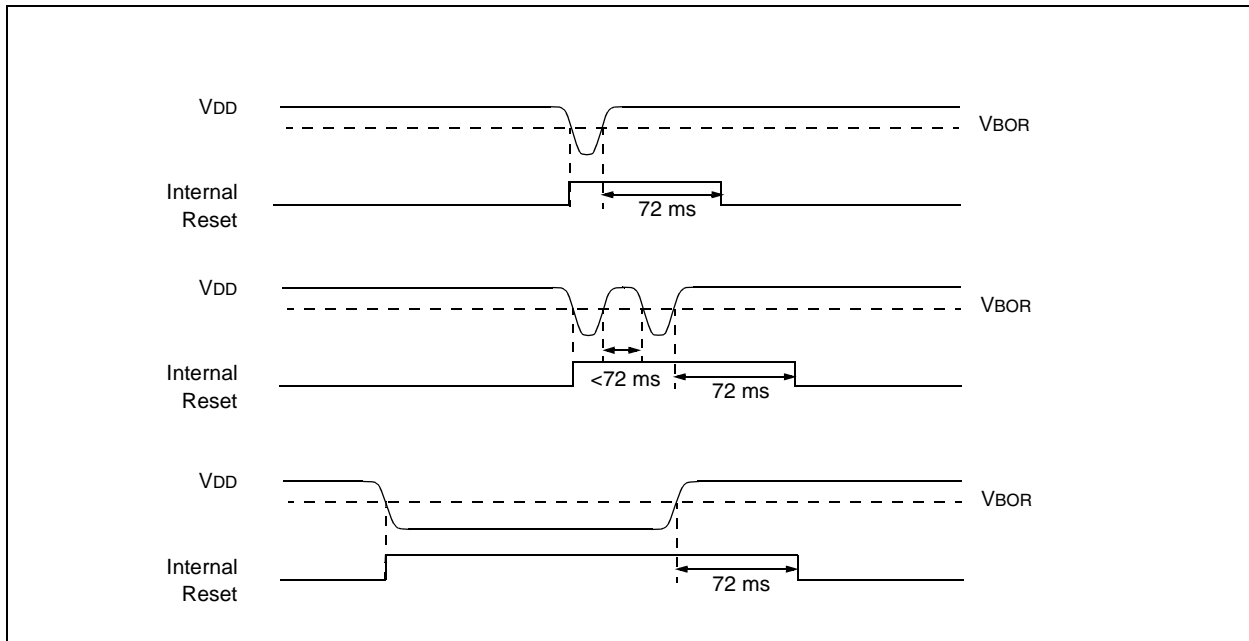
For operations where the desired brown-out voltage is other than 4V, an external brown-out circuit must be used. Figure 9-8, 9-9 and 9-10 show examples of external brown-out protection circuits.

# PIC16C712/716

**FIGURE 9-6: SIMPLIFIED BLOCK DIAGRAM OF ON-CHIP RESET CIRCUIT**

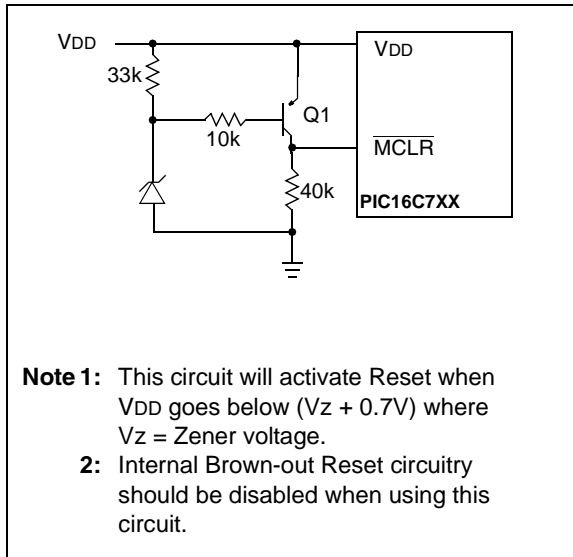


**FIGURE 9-7: BROWN-OUT SITUATIONS**

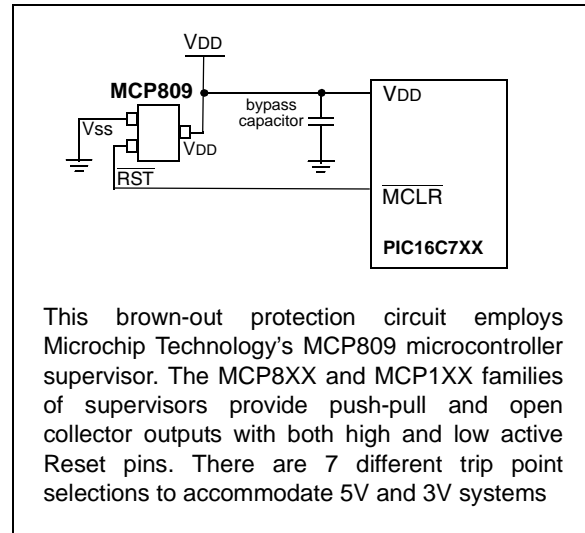




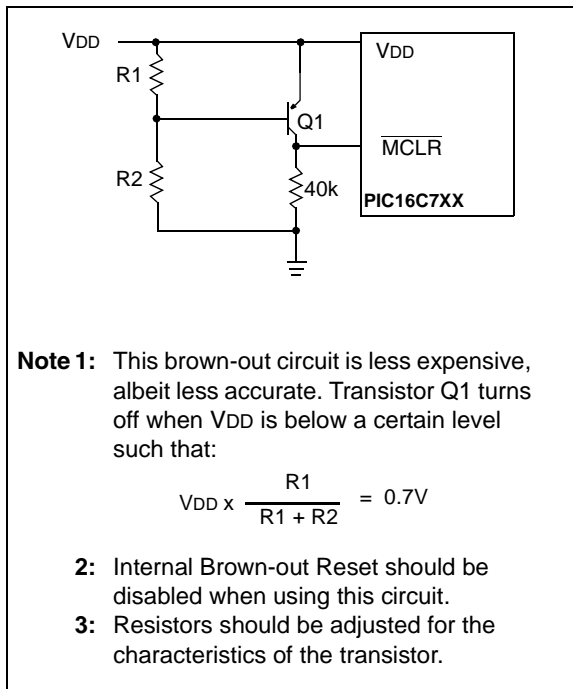
**FIGURE 9-8: EXTERNAL BROWN-OUT PROTECTION CIRCUIT 1**



**FIGURE 9-10: EXTERNAL BROWN-OUT PROTECTION CIRCUIT 3**



**FIGURE 9-9: EXTERNAL BROWN-OUT PROTECTION CIRCUIT 2**



## 9.8 Time-out Sequence

On power-up the time-out sequence is as follows: First PWRT time-out is invoked after the POR time delay has expired. Then OST is activated. The total time-out will vary based on oscillator configuration and the status of the PWRT. For example, in RC mode with the PWRT disabled, there will be no time-out at all. Figure 9-11, Figure 9-12, and Figure 9-13 depict time-out sequences on power-up.

Since the time-outs occur from the POR pulse, if  $\overline{MCLR}$  is kept low long enough, the time-outs will expire. Then bringing  $\overline{MCLR}$  high will begin execution immediately (Figure 9-13). This is useful for testing purposes or to synchronize more than one PIC16CXXX device operating in parallel.

Table 9-5 shows the Reset conditions for some Special Function Registers, while Table 9-6 shows the Reset conditions for all the registers.

# PIC16C712/716

## 9.9 Power Control/Status Register (PCON)

The Power Control/Status Register, PCON has two bits.

Bit 0 is Brown-out Reset Status bit,  $\overline{\text{BOR}}$ . If the BODEN Configuration bit is set,  $\overline{\text{BOR}}$  is '1' on Power-on Reset. If the BODEN Configuration bit is clear,  $\overline{\text{BOR}}$  is unknown on Power-on Reset.

The  $\overline{\text{BOR}}$  Status bit is a "don't care" and is not necessarily predictable if the brown-out circuit is disabled (the BODEN Configuration bit is clear).  $\overline{\text{BOR}}$  must then be set by the user and checked on subsequent Resets to see if it is clear, indicating a brown-out has occurred.

Bit 1 is  $\overline{\text{POR}}$  (Power-on Reset Status bit). It is cleared on a Power-on Reset and unaffected otherwise. The user must set this bit following a Power-on Reset.

**TABLE 9-3: TIME-OUT IN VARIOUS SITUATIONS**

| Oscillator Configuration | Power-up                      |                               | Brown-out        | Wake-up from Sleep |
|--------------------------|-------------------------------|-------------------------------|------------------|--------------------|
|                          | $\overline{\text{PWRTE}} = 0$ | $\overline{\text{PWRTE}} = 1$ |                  |                    |
| XT, HS, LP               | 72 ms + 1024TOSC              | 1024TOSC                      | 72 ms + 1024TOSC | 1024TOSC           |
| RC                       | 72 ms                         | —                             | 72 ms            | —                  |

**TABLE 9-4: STATUS BITS AND THEIR SIGNIFICANCE**

| $\overline{\text{POR}}$ | $\overline{\text{BOR}}$ | $\overline{\text{TO}}$ | $\overline{\text{PD}}$ |   |
|-------------------------|-------------------------|------------------------|------------------------|---|
| 0                       | x                       | 1                      | 1                      | Power-on Reset  |
| 0                       | x                       | 0                      | x                      | Illegal, $\overline{\text{TO}}$ is set on $\overline{\text{POR}}$           |
| 0                       | x                       | x                      | 0                      | Illegal, $\overline{\text{PD}}$ is set on $\overline{\text{POR}}$           |
| 1                       | 0                       | 1                      | 1                      | Brown-out Reset   |
| 1                       | 1                       | 0                      | 1                      | WDT Reset   |
| 1                       | 1                       | 0                      | 0                      | WDT Wake-up   |
| 1                       | 1                       | u                      | u                      | $\overline{\text{MCLR}}$ Reset during normal operation                      |
| 1                       | 1                       | 1                      | 0                      | $\overline{\text{MCLR}}$ Reset during Sleep or interrupt wake-up from Sleep |

**TABLE 9-5: RESET CONDITION FOR SPECIAL REGISTERS**

| Condition  | Program Counter       | STATUS Register | PCON Register |
|--|-----------------------|-----------------|---------------|
| Power-on Reset   | 000h                  | 0001 1xxx       | ---- --0x     |
| $\overline{\text{MCLR}}$ Reset during normal operation | 000h                  | 000u uuuu       | ---- --uu     |
| $\overline{\text{MCLR}}$ Reset during Sleep            | 000h                  | 0001 0uuu       | ---- --uu     |
| WDT Reset  | 000h                  | 0000 1uuu       | ---- --uu     |
| WDT Wake-up  | PC + 1                | uuu0 0uuu       | ---- --uu     |
| Brown-out Reset  | 000h                  | 0001 1uuu       | ---- --u0     |
| Interrupt wake-up from Sleep                           | PC + 1 <sup>(1)</sup> | uuu1 0uuu       | ---- --uu     |

**Legend:** u = unchanged, x = unknown, — = unimplemented bit read as '0'.

**Note 1:** When the wake-up is due to an interrupt and the GIE bit is set, the PC is loaded with the interrupt vector (0004h).

**TABLE 9-6: INITIALIZATION CONDITIONS FOR ALL REGISTERS OF THE PIC16C712/716**

| Register             | Power-on Reset,<br>Brown-out Reset | MCLR Resets<br>WDT Reset | Wake-up via WDT or<br>Interrupt |
|----------------------|------------------------------------|--------------------------|---------------------------------|
| W                    | xxxx xxxx                          | uuuu uuuu                | uuuu uuuu                       |
| INDF                 | N/A                                | N/A                      | N/A                             |
| TMR0                 | xxxx xxxx                          | uuuu uuuu                | uuuu uuuu                       |
| PCL                  | 0000h                              | 0000h                    | PC + 1 <sup>(2)</sup>           |
| STATUS               | 0001 1xxx                          | 000q quuu <sup>(3)</sup> | uuuq quuu <sup>(3)</sup>        |
| FSR                  | xxxx xxxx                          | uuuu uuuu                | uuuu uuuu                       |
| PORTA <sup>(4)</sup> | --0x 0000                          | --xx xxxx                | --xu uuuu                       |
| PORTB <sup>(5)</sup> | xxxx xxxx                          | uuuu uuuu                | uuuu uuuu                       |
| DATAACP              | ---- -x-x                          | ---- -u-u                | ---- -u-u                       |
| PCLATH               | ---0 0000                          | ---0 0000                | ---u uuuu                       |
| INTCON               | 0000 -00x                          | 0000 -00u                | uuuu -uuu <sup>(1)</sup>        |
| PIR1                 | ---- 0000                          | ---- 0000                | ---- uuuu <sup>(1)</sup>        |
|                      | -0-- 0000                          | -0-- 0000                | -u-- uuuu <sup>(1)</sup>        |
| TMR1L                | xxxx xxxx                          | uuuu uuuu                | uuuu uuuu                       |
| TMR1H                | xxxx xxxx                          | uuuu uuuu                | uuuu uuuu                       |
| T1CON                | --00 0000                          | --uu uuuu                | --uu uuuu                       |
| TMR2                 | 0000 0000                          | 0000 0000                | uuuu uuuu                       |
| T2CON                | -000 0000                          | -000 0000                | -uuu uuuu                       |
| CCPR1L               | xxxx xxxx                          | uuuu uuuu                | uuuu uuuu                       |
| CCPR1H               | xxxx xxxx                          | uuuu uuuu                | uuuu uuuu                       |
| CCP1CON              | --00 0000                          | --00 0000                | --uu uuuu                       |
| ADRES                | xxxx xxxx                          | uuuu uuuu                | uuuu uuuu                       |
| ADCON0               | 0000 00-0                          | 0000 00-0                | uuuu uu-u                       |
| OPTION_REG           | 1111 1111                          | 1111 1111                | uuuu uuuu                       |
| TRISA                | --11 1111                          | --11 1111                | --uu uuuu                       |
| TRISB                | 1111 1111                          | 1111 1111                | uuuu uuuu                       |
| TRISCCP              | xxxx x1x1                          | xxxx x1x1                | xxxx xuxu                       |
| PIE1                 | ---- 0000                          | ---- 0000                | ---- uuuu                       |
|                      | -0-- 0000                          | -0-- 0000                | -u-- uuuu                       |
| PCON                 | ---- --0q                          | ---- --uq                | ---- --uq                       |
| PR2                  | 1111 1111                          | 1111 1111                | 1111 1111                       |
| ADCON1               | ---- -000                          | ---- -000                | ---- -uuu                       |

**Legend:** u = unchanged, x = unknown, - = unimplemented bit, read as '0', q = value depends on condition

**Note 1:** One or more bits in INTCON and/or PIR1 will be affected (to cause wake-up).

**2:** When the wake-up is due to an interrupt and the GIE bit is set, the PC is loaded with the interrupt vector (0004h).

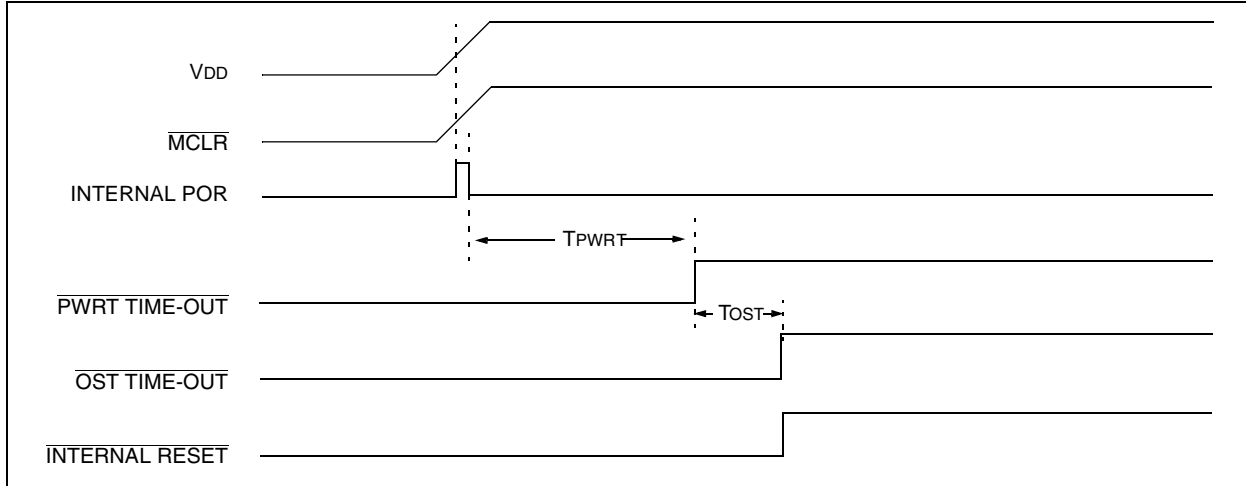
**3:** See Table 9-5 for Reset value for specific condition.

**4:** On any device Reset, these pins are configured as inputs.

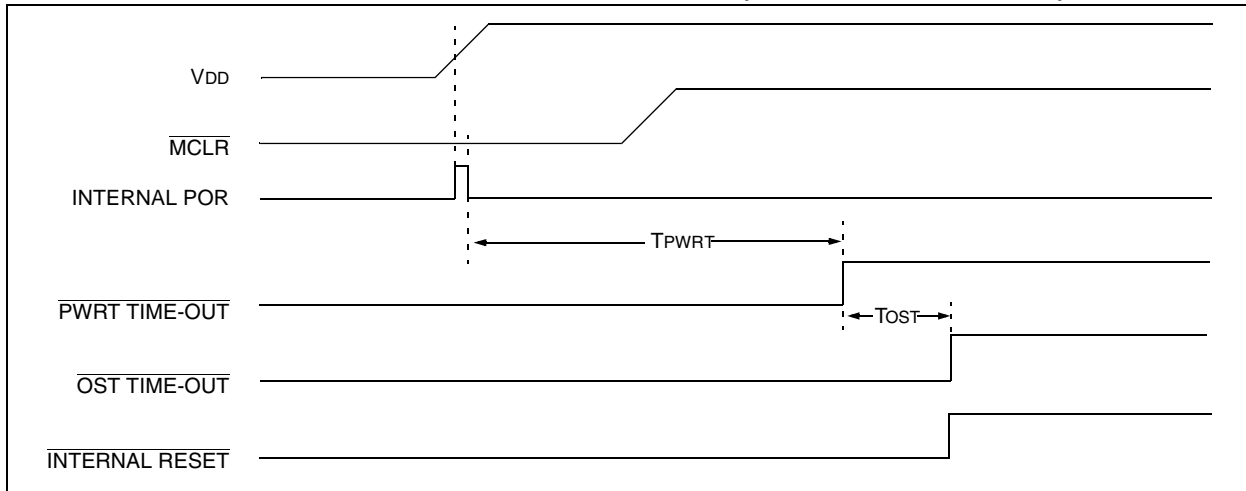
**5:** This is the value that will be in the port output latch.

# PIC16C712/716

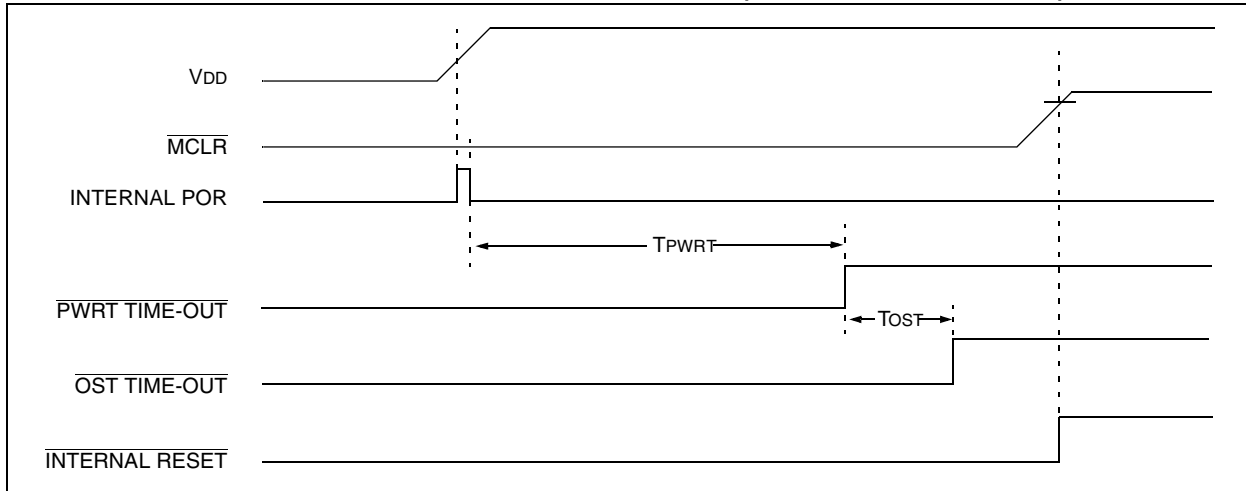
**FIGURE 9-11: TIME-OUT SEQUENCE ON POWER-UP ( $\overline{\text{MCLR}}$  TIED TO  $V_{DD}$ )**



**FIGURE 9-12: TIME-OUT SEQUENCE ON POWER-UP ( $\overline{\text{MCLR}}$  NOT TIED TO  $V_{DD}$ ): CASE 1**



**FIGURE 9-13: TIME-OUT SEQUENCE ON POWER-UP ( $\overline{\text{MCLR}}$  NOT TIED TO  $V_{DD}$ ): CASE 2**



## 9.10 Interrupts

The PIC16C712/716 devices have up to 7 sources of interrupt. The Interrupt Control Register (INTCON) records individual interrupt requests in flag bits. It also has individual and global interrupt enable bits.

**Note:** Individual interrupt flag bits are set regardless of the status of their corresponding mask bit or the GIE bit.

A Global Interrupt Enable bit, GIE (INTCON<7>) enables (if set) all unmasked interrupts or disables (if cleared) all interrupts. When bit GIE is enabled, and an interrupt's flag bit and mask bit are set, the interrupt will vector immediately. Individual interrupts can be disabled through their corresponding enable bits in various registers. Individual interrupt bits are set, regardless of the status of the GIE bit. The GIE bit is cleared on Reset.

The "return from interrupt" instruction, `RETFIE`, exits the interrupt routine, as well as sets the GIE bit, which re-enables interrupts.

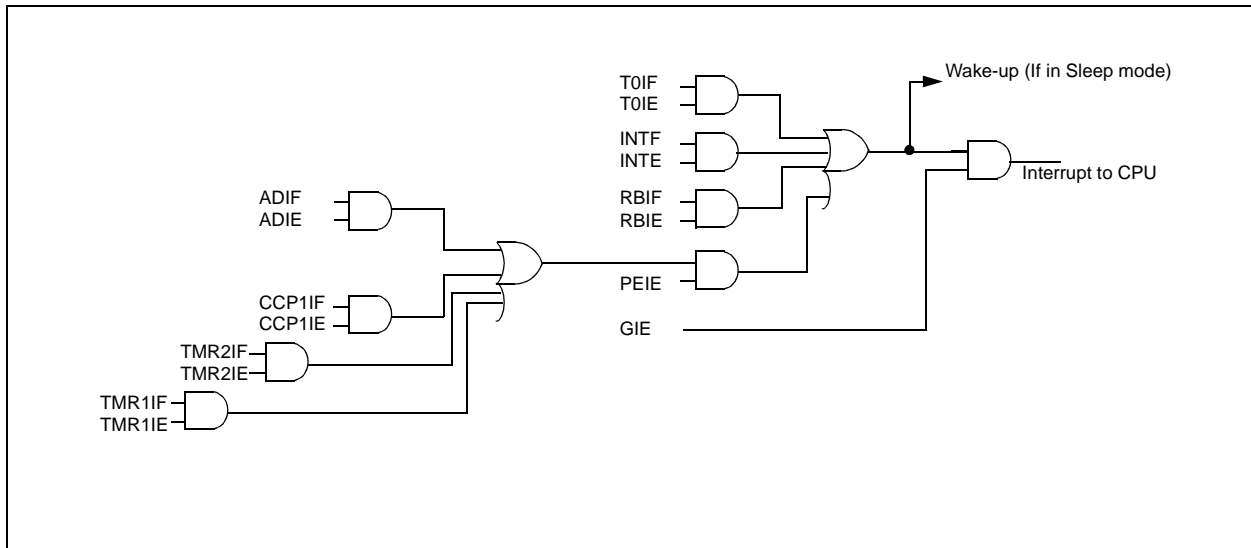
The RB0/INT pin interrupt, the RB port change interrupt and the TMR0 overflow interrupt flags are contained in the INTCON register.

The peripheral interrupt flags are contained in the Special Function Registers, PIR1 and PIR2. The corresponding interrupt enable bits are contained in Special Function Registers, PIE1 and PIE2, and the peripheral interrupt enable bit is contained in Special Function Register, INTCON.

When an interrupt is responded to, the GIE bit is cleared to disable any further interrupt, the return address is pushed onto the stack and the PC is loaded with 0004h. Once in the Interrupt Service Routine, the source(s) of the interrupt can be determined by polling the interrupt flag bits. The interrupt flag bit(s) must be cleared in software before re-enabling interrupts to avoid recursive interrupts.

For external interrupt events, such as the INT pin or PORTB change interrupt, the interrupt latency will be three or four instruction cycles. The exact latency depends when the interrupt event occurs. The latency is the same for one or two cycle instructions. Individual interrupt flag bits are set, regardless of the status of their corresponding mask bit or the GIE bit.

**FIGURE 9-14: INTERRUPT LOGIC**



# PIC16C712/716

## 9.10.1 INT INTERRUPT

External interrupt on RB0/INT pin is edge triggered, either rising if bit INTEDG (OPTION\_REG<6>) is set, or falling if the INTEDG bit is clear. When a valid edge appears on the RB0/INT pin, flag bit INTF (INTCON<1>) is set. This interrupt can be disabled by clearing enable bit INTE (INTCON<4>). Flag bit INTF must be cleared in software in the Interrupt Service Routine before re-enabling this interrupt. The INT interrupt can wake-up the processor from Sleep, if bit INTE was set prior to going into Sleep. The status of global interrupt enable bit GIE decides whether or not the processor branches to the interrupt vector following wake-up. See **Section 9.13 “Power-down Mode (Sleep)”** for details on Sleep mode.

## 9.10.2 TMR0 INTERRUPT

An overflow (FFh → 00h) in the TMR0 register will set flag bit T0IF (INTCON<2>). The interrupt can be enabled/disabled by setting/clearing enable bit T0IE (INTCON<5>). (**Section 4.0 “Timer0 Module”**)

## 9.10.3 PORTB INTCON CHANGE

An input change on PORTB<7:4> sets flag bit RBIF (INTCON<0>). The interrupt can be enabled/disabled by setting/clearing enable bit RBIE (INTCON<4>). (**Section 3.2 “PORTB and the TRISB Register”**)

## 9.11 Context Saving During Interrupts

During an interrupt, only the return PC value is saved on the stack. Typically, users may wish to save key registers during an interrupt, (i.e., W register and STATUS register). This will have to be implemented in software.

Example 9-1 stores and restores the W and STATUS registers. The register, W\_TEMP, must be defined in each bank and must be defined at the same offset from the bank base address (i.e., if W\_TEMP is defined at 0x20 in bank 0, it must also be defined at 0xA0 in bank 1).

The example:

- a) Stores the W register.
- b) Stores the STATUS register in bank 0.
- c) Stores the PCLATH register.
- d) Executes the Interrupt Service Routine code (User-generated).
- e) Restores the STATUS register (and bank select bit).
- f) Restores the W and PCLATH registers.

### EXAMPLE 9-1: SAVING STATUS, W, AND PCLATH REGISTERS IN RAM

```
MOVWF    W_TEMP           ;Copy W to TEMP register, could be bank one or zero
SWAPF    STATUS,W         ;Swap status to be saved into W
CLRF     STATUS           ;bank 0, regardless of current bank, Clears IRP,RP1,RP0
MOVWF    STATUS_TEMP      ;Save status to bank zero STATUS_TEMP register
MOVF     PCLATH, W        ;Only required if using pages 1, 2 and/or 3
MOVWF    PCLATH_TEMP     ;Save PCLATH into W
CLRF     PCLATH           ;Page zero, regardless of current page
BCF      STATUS, IRP      ;Return to Bank 0
MOVF     FSR, W           ;Copy FSR to W
MOVWF    FSR_TEMP        ;Copy FSR from W to FSR_TEMP
:
:(ISR)
:
MOVF     PCLATH_TEMP, W   ;Restore PCLATH
MOVWF    PCLATH           ;Move W into PCLATH
SWAPF    STATUS_TEMP,W    ;Swap STATUS_TEMP register into W
; (sets bank to original state)
MOVWF    STATUS           ;Move W into STATUS register
SWAPF    W_TEMP,F        ;Swap W_TEMP
SWAPF    W_TEMP,W        ;Swap W_TEMP into W
```

## 9.12 Watchdog Timer (WDT)

The Watchdog Timer is as a free running, on-chip, RC oscillator which does not require any external components. This RC oscillator is separate from the RC oscillator of the OSC1/CLKIN pin. That means that the WDT will run, even if the clock on the OSC1/CLKIN and OSC2/CLKOUT pins of the device have been stopped, for example, by execution of a `SLEEP` instruction.

During normal operation, a WDT Time-out generates a device Reset (Watchdog Timer Reset). If the device is in Sleep mode, a WDT Time-out causes the device to wake-up and continue with normal operation (Watchdog Timer Wake-up). The  $\overline{TO}$  bit in the STATUS register will be cleared upon a Watchdog Timer Time-out.

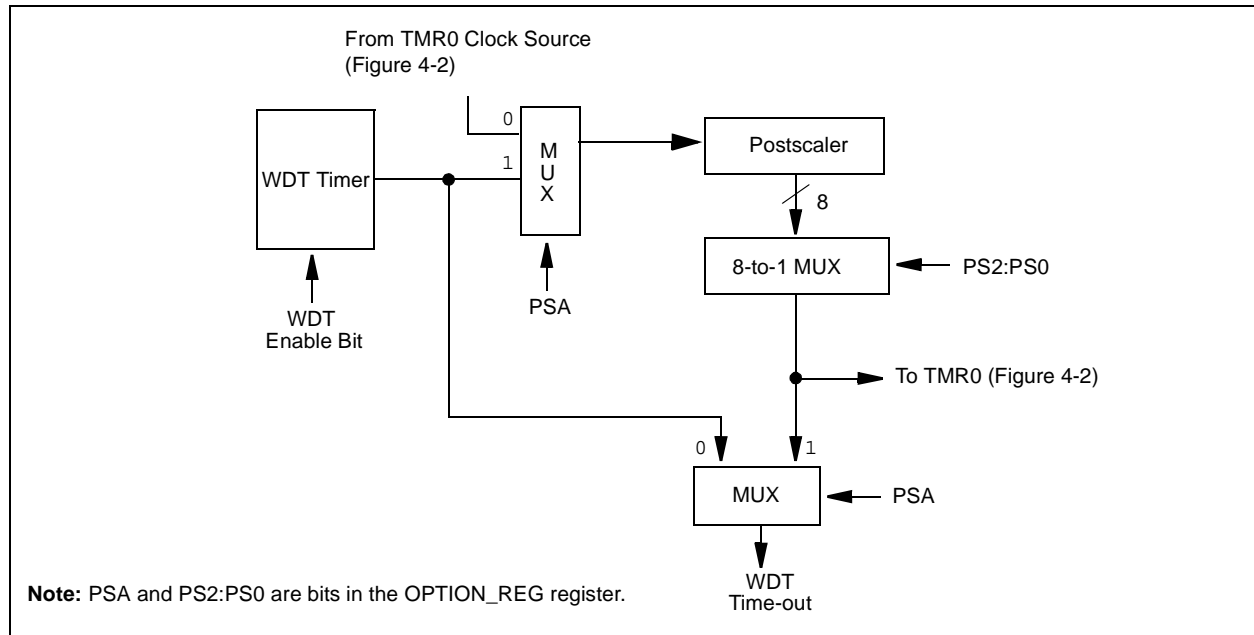
The WDT can be permanently disabled by clearing Configuration bit `WDTE` (Section 9.1 “Configuration Bits”).

WDT time-out period values may be found in the Electrical Specifications section under `TWDT` (parameter #31). Values for the WDT prescaler (actually a postscaler, but shared with the Timer0 prescaler) may be assigned using the `OPTION_REG` register.

**Note:** The `CLRWDT` and `SLEEP` instructions clear the WDT and the postscaler, if assigned to the WDT, and prevent it from timing out and generating a device Reset condition.

**Note:** When a `CLRWDT` instruction is executed and the prescaler is assigned to the WDT, the prescaler count will be cleared, but the prescaler assignment is not changed.

**FIGURE 9-15: WATCHDOG TIMER BLOCK DIAGRAM**



**FIGURE 9-16: SUMMARY OF WATCHDOG TIMER REGISTERS**

| Address | Name         | Bits 13:8 | Bit 7             | Bit 6                | Bit 5            | Bit 4            | Bit 3                | Bit 2 | Bit 1 | Bit 0 |
|---------|--------------|-----------|-------------------|----------------------|------------------|------------------|----------------------|-------|-------|-------|
| 2007h   | Config. bits | (1)       | —                 | BODEN <sup>(1)</sup> | $\overline{CP1}$ | $\overline{CP0}$ | PWRTE <sup>(1)</sup> | WDTE  | FOSC1 | FOSC0 |
| 81h     | OPTION_REG   | N/A       | $\overline{RBPU}$ | INTEDG               | T0CS             | T0SE             | PSA                  | PS2   | PS1   | PS0   |

**Legend:** Shaded cells are not used by the Watchdog Timer.

**Note 1:** See Figure 9-1 for operation of these bits.

# PIC16C712/716

---

## 9.13 Power-down Mode (Sleep)

Power-Down mode is entered by executing a `SLEEP` instruction.

If enabled, the Watchdog Timer will be cleared but keeps running, the PD bit (STATUS<3>) is cleared, the  $\overline{TO}$  (STATUS<4>) bit is set, and the oscillator driver is turned off. The I/O ports maintain the status they had, before the `SLEEP` instruction was executed (driving high, low, or high-impedance).

For lowest current consumption in this mode, place all I/O pins at either VDD or VSS, ensure no external circuitry is drawing current from the I/O pin, power-down the A/D and the disable external clocks. Pull all I/O pins, that are high-impedance inputs, high or low externally to avoid switching currents caused by floating inputs. The T0CKI input should also be at VDD or VSS for lowest current consumption. The contribution from on-chip pull-ups on PORTB should be considered.

The  $\overline{MCLR}$  pin must be at a logic high level ( $V_{IHMC}$ ).

### 9.13.1 WAKE-UP FROM SLEEP

The device can wake up from Sleep through one of the following events:

1. External Reset input on  $\overline{MCLR}$  pin.
2. Watchdog Timer Wake-up (if WDT was enabled).
3. Interrupt from INT pin, RB port change, or some peripheral interrupts.

External  $\overline{MCLR}$  Reset will cause a device Reset. All other events are considered a continuation of program execution and cause a "wake-up". The  $\overline{TO}$  and PD bits in the STATUS register can be used to determine the cause of device Reset. The  $\overline{PD}$  bit, which is set on power-up, is cleared when `SLEEP` is invoked. The  $\overline{TO}$  bit is cleared if a WDT Time-out occurred (and caused wake-up).

The following peripheral interrupts can wake the device from Sleep:

1. TMR1 interrupt. Timer1 must be operating as an asynchronous counter.
2. CCP Capture mode interrupt.
3. Special Event Trigger (Timer1 in Asynchronous mode using an external clock).

Other peripherals cannot generate interrupts, since during Sleep, no on-chip clocks are present.



When the `SLEEP` instruction is being executed, the next instruction (`PC + 1`) is pre-fetched. For the device to wake-up through an interrupt event, the corresponding interrupt enable bit must be set (enabled). Wake-up is regardless of the state of the `GIE` bit. If the `GIE` bit is clear (disabled), the device continues execution at the instruction after the `SLEEP` instruction. If the `GIE` bit is set (enabled), the device executes the instruction after the `SLEEP` instruction and then branches to the interrupt address (`0004h`). In cases where the execution of the instruction following `SLEEP` is not desirable, the user should have a `NOP` after the `SLEEP` instruction.

## 9.13.2 WAKE-UP USING INTERRUPTS

When global interrupts are disabled (`GIE` cleared) and any interrupt source has both its interrupt enable bit and interrupt flag bit set, one of the following will occur:

- If the interrupt occurs **before** the execution of a `SLEEP` instruction, the `SLEEP` instruction will complete as a `NOP`. Therefore, the `WDT` and `WDT`

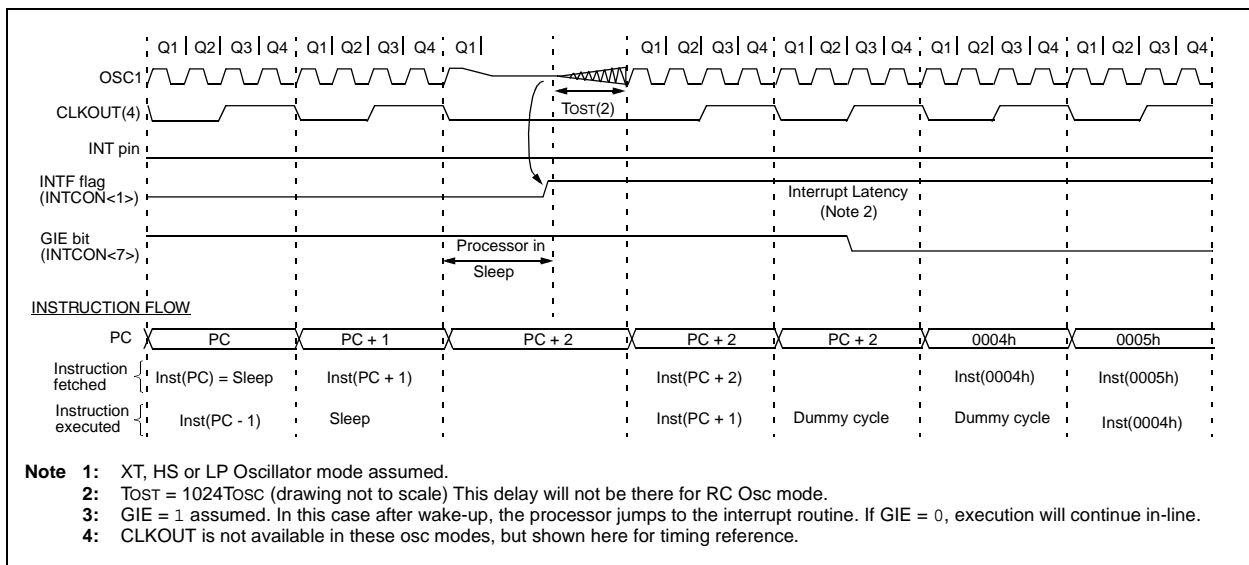
postscaler will not be cleared, the  $\overline{TO}$  bit will not be set and  $\overline{PD}$  bits will not be cleared.

- If the interrupt occurs **during or after** the execution of a `SLEEP` instruction, the device will immediately wake-up from Sleep. The `SLEEP` instruction will be completely executed before the wake-up. Therefore, the `WDT` and `WDT` postscaler will be cleared, the  $\overline{TO}$  bit will be set and the  $\overline{PD}$  bit will be cleared.

Even if the flag bits were checked before executing a `SLEEP` instruction, it may be possible for flag bits to become set before the `SLEEP` instruction completes. To determine whether a `SLEEP` instruction executed, test the  $\overline{PD}$  bit. If the  $\overline{PD}$  bit is set, the `SLEEP` instruction was executed as a `NOP`.

To ensure that the `WDT` is cleared, a `CLRWDT` instruction should be executed before a `SLEEP` instruction.

**FIGURE 9-17: WAKE-UP FROM SLEEP THROUGH INTERRUPT**



## 9.14 Program Verification/Code Protection

If the code protection bit(s) have not been programmed, the on-chip program memory can be read out for verification purposes.

**Note:** Microchip does not recommend code protecting windowed devices.

## 9.15 ID Locations

Four memory locations (`2000h-2003h`) are designated as ID locations where the user can store checksum or other code-identification numbers. These locations are not accessible during normal execution, but are readable and writable during Program/Verify. It is recommended that only the 4 Least Significant bits of the ID location are used.

For ROM devices, these values are submitted along with the ROM code.

# PIC16C712/716

---

## 9.16 In-Circuit Serial Programming™

PIC16CXXX microcontrollers can be serially programmed while in the end application circuit. This is simply done with two lines for clock and data, and three other lines for power, ground and the programming voltage. This allows customers to manufacture boards with unprogrammed devices, and then program the microcontroller just before shipping the product. This also allows the most recent firmware or a custom firmware to be programmed.

For complete details on serial programming, please refer to the In-Circuit Serial Programming™ (ICSP™) Guide, (DS30277).

## 10.0 INSTRUCTION SET SUMMARY

Each PIC16CXXX instruction is a 14-bit word divided into an OPCODE which specifies the instruction type and one or more operands which further specify the operation of the instruction. The PIC16CXXX instruction set summary in Table 10-2 lists **byte-oriented**, **bit-oriented**, and **literal and control** operations. Table 10-1 shows the opcode field descriptions.

For **byte-oriented** instructions, 'f' represents a file register designator and 'd' represents a destination designator. The file register designator specifies which file register is to be used by the instruction.

The destination designator specifies where the result of the operation is to be placed. If 'd' is zero, the result is placed in the W register. If 'd' is one, the result is placed in the file register specified in the instruction.

For **bit-oriented** instructions, 'b' represents a bit field designator which selects the number of the bit affected by the operation, while 'f' represents the number of the file in which the bit is located.

For **literal and control** operations, 'k' represents an eight or eleven bit constant or literal value.

**TABLE 10-1: OPCODE FIELD DESCRIPTIONS**

| Field | Description   |
|-------|---|
| f     | Register file address (0x00 to 0x7F)  |
| w     | Working register (accumulator)  |
| b     | Bit address within an 8-bit file register   |
| k     | Literal field, constant data or label   |
| x     | Don't care location (= 0 or 1)<br>The assembler will generate code with x = 0. It is the recommended form of use for compatibility with all Microchip software tools. |
| d     | Destination select; d = 0: store result in W, d = 1: store result in file register f.<br>Default is d = 1   |
| PC    | Program Counter   |
| TO    | Time-out bit  |
| PD    | Power-down bit  |
| Z     | Zero bit  |
| DC    | Digit Carry bit   |
| C     | Carry bit   |

The instruction set is highly orthogonal and is grouped into three basic categories:

- **Byte-oriented** operations
- **Bit-oriented** operations
- **Literal and control** operations

All instructions are executed within one single instruction cycle, unless a conditional test is true or the program counter is changed as a result of an instruction. In this case, the execution takes two instruction cycles with the second cycle executed as a NOP. One instruction cycle consists of four oscillator periods. Thus, for an oscillator frequency of 4 MHz, the normal instruction execution time is 1  $\mu$ s. If a conditional test is true or the program counter is changed as a result of an instruction, the instruction execution time is 2  $\mu$ s.

Table 10-2 lists the instructions recognized by the MPASM assembler.

Figure 10-1 shows the general formats that the instructions can have.

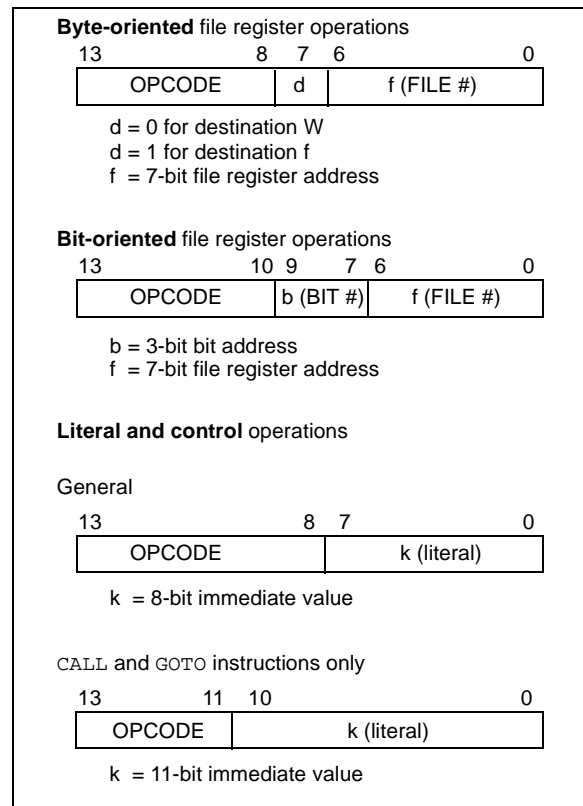
**Note:** To maintain upward compatibility with future PIC16CXXX products, do not use the OPTION and TRIS instructions.

All examples use the following format to represent a hexadecimal number:

0xhh

where h signifies a hexadecimal digit.

**FIGURE 10-1: GENERAL FORMAT FOR INSTRUCTIONS**



A description of each instruction is available in the PIC<sup>®</sup> Mid-Range Reference Manual, (DS33023).

# PIC16C712/716

**TABLE 10-2: PIC16CXXX INSTRUCTION SET**

| Mnemonic,<br>Operands                         | Description | Cycles                       | 14-Bit Opcode |     |      | Status<br>Affected | Notes |                                |       |
|---|-------------|------------------------------|---------------|-----|------|--------------------|-------|--------------------------------|-------|
|   |             |                              | MSb           | LSb |      |                    |       |                                |       |
| <b>BYTE-ORIENTED FILE REGISTER OPERATIONS</b> |             |                              |               |     |      |                    |       |                                |       |
| <b>ADDWF</b>                                  | f, d        | Add W and f                  | 1             | 00  | 0111 | dfff               | ffff  | C,DC,Z                         | 1,2   |
| <b>ANDWF</b>                                  | f, d        | AND W with f                 | 1             | 00  | 0101 | dfff               | ffff  | Z                              | 1,2   |
| <b>CLRF</b>                                   | f           | Clear f                      | 1             | 00  | 0001 | 1fff               | ffff  | Z                              | 2     |
| <b>CLRWF</b>                                  | -           | Clear W                      | 1             | 00  | 0001 | 0000               | 0011  | Z                              |       |
| <b>COMF</b>                                   | f, d        | Complement f                 | 1             | 00  | 1001 | dfff               | ffff  | Z                              | 1,2   |
| <b>DECf</b>                                   | f, d        | Decrement f                  | 1             | 00  | 0011 | dfff               | ffff  | Z                              | 1,2   |
| <b>DECFSZ</b>                                 | f, d        | Decrement f, Skip if 0       | 1(2)          | 00  | 1011 | dfff               | ffff  |                                | 1,2,3 |
| <b>INCF</b>                                   | f, d        | Increment f                  | 1             | 00  | 1010 | dfff               | ffff  | Z                              | 1,2   |
| <b>INCFSZ</b>                                 | f, d        | Increment f, Skip if 0       | 1(2)          | 00  | 1111 | dfff               | ffff  |                                | 1,2,3 |
| <b>IORWF</b>                                  | f, d        | Inclusive OR W with f        | 1             | 00  | 0100 | dfff               | ffff  | Z                              | 1,2   |
| <b>MOVF</b>                                   | f, d        | Move f                       | 1             | 00  | 1000 | dfff               | ffff  | Z                              | 1,2   |
| <b>MOVWF</b>                                  | f           | Move W to f                  | 1             | 00  | 0000 | 1fff               | ffff  |                                |       |
| <b>NOP</b>                                    | -           | No Operation                 | 1             | 00  | 0000 | 0xx0               | 0000  |                                |       |
| <b>RLF</b>                                    | f, d        | Rotate Left f through Carry  | 1             | 00  | 1101 | dfff               | ffff  | C                              | 1,2   |
| <b>RRF</b>                                    | f, d        | Rotate Right f through Carry | 1             | 00  | 1100 | dfff               | ffff  | C                              | 1,2   |
| <b>SUBWF</b>                                  | f, d        | Subtract W from f            | 1             | 00  | 0010 | dfff               | ffff  | C,DC,Z                         | 1,2   |
| <b>SWAPF</b>                                  | f, d        | Swap nibbles in f            | 1             | 00  | 1110 | dfff               | ffff  |                                | 1,2   |
| <b>XORWF</b>                                  | f, d        | Exclusive OR W with f        | 1             | 00  | 0110 | dfff               | ffff  | Z                              | 1,2   |
| <b>BIT-ORIENTED FILE REGISTER OPERATIONS</b>  |             |                              |               |     |      |                    |       |                                |       |
| <b>BCF</b>                                    | f, b        | Bit Clear f                  | 1             | 01  | 00bb | bfff               | ffff  |                                | 1,2   |
| <b>BSF</b>                                    | f, b        | Bit Set f                    | 1             | 01  | 01bb | bfff               | ffff  |                                | 1,2   |
| <b>BTFSC</b>                                  | f, b        | Bit Test f, Skip if Clear    | 1 (2)         | 01  | 10bb | bfff               | ffff  |                                | 3     |
| <b>BTFSS</b>                                  | f, b        | Bit Test f, Skip if Set      | 1 (2)         | 01  | 11bb | bfff               | ffff  |                                | 3     |
| <b>LITERAL AND CONTROL OPERATIONS</b>         |             |                              |               |     |      |                    |       |                                |       |
| <b>ADDLW</b>                                  | k           | Add literal and W            | 1             | 11  | 111x | kkkk               | kkkk  | C,DC,Z                         |       |
| <b>ANDLW</b>                                  | k           | AND literal with W           | 1             | 11  | 1001 | kkkk               | kkkk  | Z                              |       |
| <b>CALL</b>                                   | k           | Call subroutine              | 2             | 10  | 0kkk | kkkk               | kkkk  |                                |       |
| <b>CLRWDt</b>                                 | -           | Clear Watchdog Timer         | 1             | 00  | 0000 | 0110               | 0100  | $\overline{TO}, \overline{PD}$ |       |
| <b>GOTO</b>                                   | k           | Go to address                | 2             | 10  | 1kkk | kkkk               | kkkk  |                                |       |
| <b>IORLW</b>                                  | k           | Inclusive OR literal with W  | 1             | 11  | 1000 | kkkk               | kkkk  | Z                              |       |
| <b>MOVLW</b>                                  | k           | Move literal to W            | 1             | 11  | 00xx | kkkk               | kkkk  |                                |       |
| <b>RETFIE</b>                                 | -           | Return from interrupt        | 2             | 00  | 0000 | 0000               | 1001  |                                |       |
| <b>RETLW</b>                                  | k           | Return with literal in W     | 2             | 11  | 01xx | kkkk               | kkkk  |                                |       |
| <b>RETURN</b>                                 | -           | Return from Subroutine       | 2             | 00  | 0000 | 0000               | 1000  |                                |       |
| <b>SLEEP</b>                                  | -           | Go into standby mode         | 1             | 00  | 0000 | 0110               | 0011  | $\overline{TO}, \overline{PD}$ |       |
| <b>SUBLW</b>                                  | k           | Subtract W from literal      | 1             | 11  | 110x | kkkk               | kkkk  | C,DC,Z                         |       |
| <b>XORLW</b>                                  | k           | Exclusive OR literal with W  | 1             | 11  | 1010 | kkkk               | kkkk  | Z                              |       |

**Note 1:** When an I/O register is modified as a function of itself (e.g., `MOVF PORTB, 1`), the value used will be that value present on the pins themselves. For example, if the data latch is '1' for a pin configured as input and is driven low by an external device, the data will be written back with a '0'.

**2:** If this instruction is executed on the TMR0 register (and, where applicable, `d = 1`), the prescaler will be cleared if assigned to the Timer0 Module.

**3:** If Program Counter (PC) is modified or a conditional test is true, the instruction requires two cycles. The second cycle is executed as a `NOP`.

## 11.0 DEVELOPMENT SUPPORT

The PIC® microcontrollers are supported with a full range of hardware and software development tools:

- Integrated Development Environment
  - MPLAB® IDE Software
- Assemblers/Compilers/Linkers
  - MPASM™ Assembler
  - MPLAB C18 and MPLAB C30 C Compilers
  - MPLINK™ Object Linker/  
MPLIB™ Object Librarian
  - MPLAB ASM30 Assembler/Linker/Library
- Simulators
  - MPLAB SIM Software Simulator
- Emulators
  - MPLAB ICE 2000 In-Circuit Emulator
  - MPLAB ICE 4000 In-Circuit Emulator
- In-Circuit Debugger
  - MPLAB ICD 2
- Device Programmers
  - PICSTART® Plus Development Programmer
  - MPLAB PM3 Device Programmer
- Low-Cost Demonstration and Development Boards and Evaluation Kits

## 11.1 MPLAB Integrated Development Environment Software

The MPLAB IDE software brings an ease of software development previously unseen in the 8/16-bit microcontroller market. The MPLAB IDE is a Windows® operating system-based application that contains:

- A single graphical interface to all debugging tools
  - Simulator
  - Programmer (sold separately)
  - Emulator (sold separately)
  - In-Circuit Debugger (sold separately)
- A full-featured editor with color-coded context
- A multiple project manager
- Customizable data windows with direct edit of contents
- High-level source code debugging
- Visual device initializer for easy register initialization
- Mouse over variable inspection
- Drag and drop variables from source to watch windows
- Extensive on-line help
- Integration of select third party tools, such as HI-TECH Software C Compilers and IAR C Compilers

The MPLAB IDE allows you to:

- Edit your source files (either assembly or C)
- One touch assemble (or compile) and download to PIC MCU emulator and simulator tools (automatically updates all project information)
- Debug using:
  - Source files (assembly or C)
  - Mixed assembly and C
  - Machine code

MPLAB IDE supports multiple debugging tools in a single development paradigm, from the cost-effective simulators, through low-cost in-circuit debuggers, to full-featured emulators. This eliminates the learning curve when upgrading to tools with increased flexibility and power.

# PIC16C712/716

---

## 11.2 MPASM Assembler

The MPASM Assembler is a full-featured, universal macro assembler for all PIC MCUs.

The MPASM Assembler generates relocatable object files for the MPLINK Object Linker, Intel® standard HEX files, MAP files to detail memory usage and symbol reference, absolute LST files that contain source lines and generated machine code and COFF files for debugging.

The MPASM Assembler features include:

- Integration into MPLAB IDE projects
- User-defined macros to streamline assembly code
- Conditional assembly for multi-purpose source files
- Directives that allow complete control over the assembly process

## 11.3 MPLAB C18 and MPLAB C30 C Compilers

The MPLAB C18 and MPLAB C30 Code Development Systems are complete ANSI C compilers for Microchip's PIC18 family of microcontrollers and dsPIC30F family of digital signal controllers. These compilers provide powerful integration capabilities, superior code optimization and ease of use not found with other compilers.

For easy source level debugging, the compilers provide symbol information that is optimized to the MPLAB IDE debugger.

## 11.4 MPLINK Object Linker/ MPLIB Object Librarian

The MPLINK Object Linker combines relocatable objects created by the MPASM Assembler and the MPLAB C18 C Compiler. It can link relocatable objects from precompiled libraries, using directives from a linker script.

The MPLIB Object Librarian manages the creation and modification of library files of precompiled code. When a routine from a library is called from a source file, only the modules that contain that routine will be linked in with the application. This allows large libraries to be used efficiently in many different applications.

The object linker/library features include:

- Efficient linking of single libraries instead of many smaller files
- Enhanced code maintainability by grouping related modules together
- Flexible creation of libraries with easy module listing, replacement, deletion and extraction

## 11.5 MPLAB ASM30 Assembler, Linker and Librarian

MPLAB ASM30 Assembler produces relocatable machine code from symbolic assembly language for dsPIC30F devices. MPLAB C30 C Compiler uses the assembler to produce its object file. The assembler generates relocatable object files that can then be archived or linked with other relocatable object files and archives to create an executable file. Notable features of the assembler include:

- Support for the entire dsPIC30F instruction set
- Support for fixed-point and floating-point data
- Command line interface
- Rich directive set
- Flexible macro language
- MPLAB IDE compatibility

## 11.6 MPLAB SIM Software Simulator

The MPLAB SIM Software Simulator allows code development in a PC-hosted environment by simulating the PIC MCUs and dsPIC® DSCs on an instruction level. On any given instruction, the data areas can be examined or modified and stimuli can be applied from a comprehensive stimulus controller. Registers can be logged to files for further run-time analysis. The trace buffer and logic analyzer display extend the power of the simulator to record and track program execution, actions on I/O, as well as internal registers.

The MPLAB SIM Software Simulator fully supports symbolic debugging using the MPLAB C18 and MPLAB C30 C Compilers, and the MPASM and MPLAB ASM30 Assemblers. The software simulator offers the flexibility to develop and debug code outside of the laboratory environment, making it an excellent, economical software development tool.

## 11.7 MPLAB ICE 2000 High-Performance In-Circuit Emulator

The MPLAB ICE 2000 In-Circuit Emulator is intended to provide the product development engineer with a complete microcontroller design tool set for PIC microcontrollers. Software control of the MPLAB ICE 2000 In-Circuit Emulator is advanced by the MPLAB Integrated Development Environment, which allows editing, building, downloading and source debugging from a single environment.

The MPLAB ICE 2000 is a full-featured emulator system with enhanced trace, trigger and data monitoring features. Interchangeable processor modules allow the system to be easily reconfigured for emulation of different processors. The architecture of the MPLAB ICE 2000 In-Circuit Emulator allows expansion to support new PIC microcontrollers.

The MPLAB ICE 2000 In-Circuit Emulator system has been designed as a real-time emulation system with advanced features that are typically found on more expensive development tools. The PC platform and Microsoft® Windows® 32-bit operating system were chosen to best make these features available in a simple, unified application.

## 11.8 MPLAB ICE 4000 High-Performance In-Circuit Emulator

The MPLAB ICE 4000 In-Circuit Emulator is intended to provide the product development engineer with a complete microcontroller design tool set for high-end PIC MCUs and dsPIC DSCs. Software control of the MPLAB ICE 4000 In-Circuit Emulator is provided by the MPLAB Integrated Development Environment, which allows editing, building, downloading and source debugging from a single environment.

The MPLAB ICE 4000 is a premium emulator system, providing the features of MPLAB ICE 2000, but with increased emulation memory and high-speed performance for dsPIC30F and PIC18XXXX devices. Its advanced emulator features include complex triggering and timing, and up to 2 Mb of emulation memory.

The MPLAB ICE 4000 In-Circuit Emulator system has been designed as a real-time emulation system with advanced features that are typically found on more expensive development tools. The PC platform and Microsoft Windows 32-bit operating system were chosen to best make these features available in a simple, unified application.

## 11.9 MPLAB ICD 2 In-Circuit Debugger

Microchip's In-Circuit Debugger, MPLAB ICD 2, is a powerful, low-cost, run-time development tool, connecting to the host PC via an RS-232 or high-speed USB interface. This tool is based on the Flash PIC MCUs and can be used to develop for these and other PIC MCUs and dsPIC DSCs. The MPLAB ICD 2 utilizes the in-circuit debugging capability built into the Flash devices. This feature, along with Microchip's In-Circuit Serial Programming™ (ICSP™) protocol, offers cost-effective, in-circuit Flash debugging from the graphical user interface of the MPLAB Integrated Development Environment. This enables a designer to develop and debug source code by setting breakpoints, single stepping and watching variables, and CPU status and peripheral registers. Running at full speed enables testing hardware and applications in real time. MPLAB ICD 2 also serves as a development programmer for selected PIC devices.

## 11.10 MPLAB PM3 Device Programmer

The MPLAB PM3 Device Programmer is a universal, CE compliant device programmer with programmable voltage verification at VDDMIN and VDDMAX for maximum reliability. It features a large LCD display (128 x 64) for menus and error messages and a modular, detachable socket assembly to support various package types. The ICSP™ cable assembly is included as a standard item. In Stand-Alone mode, the MPLAB PM3 Device Programmer can read, verify and program PIC devices without a PC connection. It can also set code protection in this mode. The MPLAB PM3 connects to the host PC via an RS-232 or USB cable. The MPLAB PM3 has high-speed communications and optimized algorithms for quick programming of large memory devices and incorporates an SD/MMC card for file storage and secure data applications.

## 11.11 PICSTART Plus Development Programmer

The PICSTART Plus Development Programmer is an easy-to-use, low-cost, prototype programmer. It connects to the PC via a COM (RS-232) port. MPLAB Integrated Development Environment software makes using the programmer simple and efficient. The PICSTART Plus Development Programmer supports most PIC devices in DIP packages up to 40 pins. Larger pin count devices, such as the PIC16C92X and PIC17C76X, may be supported with an adapter socket. The PICSTART Plus Development Programmer is CE compliant.

## 11.12 Demonstration, Development and Evaluation Boards

A wide variety of demonstration, development and evaluation boards for various PIC MCUs and dsPIC DSCs allows quick application development on fully functional systems. Most boards include prototyping areas for adding custom circuitry and provide application firmware and source code for examination and modification.

The boards support a variety of features, including LEDs, temperature sensors, switches, speakers, RS-232 interfaces, LCD displays, potentiometers and additional EEPROM memory.

The demonstration and development boards can be used in teaching environments, for prototyping custom circuits and for learning about various microcontroller applications.

In addition to the PICDEM™ and dsPICDEM™ demonstration/development board series of circuits, Microchip has a line of evaluation kits and demonstration software for analog filter design, KEELOQ® security ICs, CAN, IrDA®, PowerSmart® battery management, SEEVAL® evaluation system, Sigma-Delta ADC, flow rate sensing, plus many more.

Check the Microchip web page ([www.microchip.com](http://www.microchip.com)) and the latest *“Product Selector Guide”* (DS00148) for the complete list of demonstration, development and evaluation kits.



## 12.0 ELECTRICAL CHARACTERISTICS

### Absolute Maximum Ratings <sup>(†)</sup>

|  |                                   |
|--|-----------------------------------|
| Ambient temperature under bias .....   | -55°C to +125°C                   |
| Storage temperature .....  | -65°C to +150°C                   |
| Voltage on any pin with respect to V <sub>SS</sub> (except V <sub>DD</sub> , $\overline{\text{MCLR}}$ , and RA4) ..... | -0.3V to (V <sub>DD</sub> + 0.3V) |
| Voltage on V <sub>DD</sub> with respect to V <sub>SS</sub> .....   | -0.3V to +7.5V                    |
| Voltage on $\overline{\text{MCLR}}$ with respect to V <sub>SS</sub> ( <b>Note 2</b> ) .....                            | 0V to +13.25V                     |
| Voltage on RA4 with respect to V <sub>SS</sub> .....   | 0V to +8.5V                       |
| Total power dissipation ( <b>Note 1</b> ) (PDIP and SOIC) .....  | 1.0W                              |
| Total power dissipation ( <b>Note 1</b> ) (SSOP) .....   | 0.65W                             |
| Maximum current out of V <sub>SS</sub> pin .....   | 300 mA                            |
| Maximum current into V <sub>DD</sub> pin .....   | 250 mA                            |
| Input clamp current, I <sub>IK</sub> (V <sub>I</sub> < 0 or V <sub>I</sub> > V <sub>DD</sub> ) .....                   | ±20 mA                            |
| Output clamp current, I <sub>OK</sub> (V <sub>O</sub> < 0 or V <sub>O</sub> > V <sub>DD</sub> ) .....                  | ±20 mA                            |
| Maximum output current sunk by any I/O pin .....   | 25 mA                             |
| Maximum output current sourced by any I/O pin .....  | 25 mA                             |
| Maximum current sunk by PORTA and PORTB (combined) .....   | 200 mA                            |
| Maximum current sourced by PORTA and PORTB (combined) .....  | 200 mA                            |

**Note 1:** Power dissipation is calculated as follows:  $P_{dis} = V_{DD} \times \{I_{DD} - \sum I_{OH}\} + \sum \{(V_{DD} - V_{OH}) \times I_{OH}\} + \sum (V_{OL} \times I_{OL})$

- 2:** Voltage spikes below V<sub>SS</sub> at the  $\overline{\text{MCLR}}$ /V<sub>PP</sub> pin, inducing currents greater than 80 mA, may cause latch-up. Thus, a series resistor of 50-100Ω should be used when applying a “low” level to the  $\overline{\text{MCLR}}$ /V<sub>PP</sub> pin rather than pulling this pin directly to V<sub>SS</sub>.

† NOTICE: Stresses above those listed under “Absolute Maximum Ratings” may cause permanent damage to the device. This is a stress rating only and functional operation of the device at those or any other conditions above those indicated in the operation listings of this specification is not implied. Exposure to maximum rating conditions for extended periods may affect device reliability.

# PIC16C712/716

FIGURE 12-1: PIC16C712/716 VOLTAGE-FREQUENCY GRAPH,  $-40^{\circ}\text{C} \leq \text{TA} \leq +125^{\circ}\text{C}$

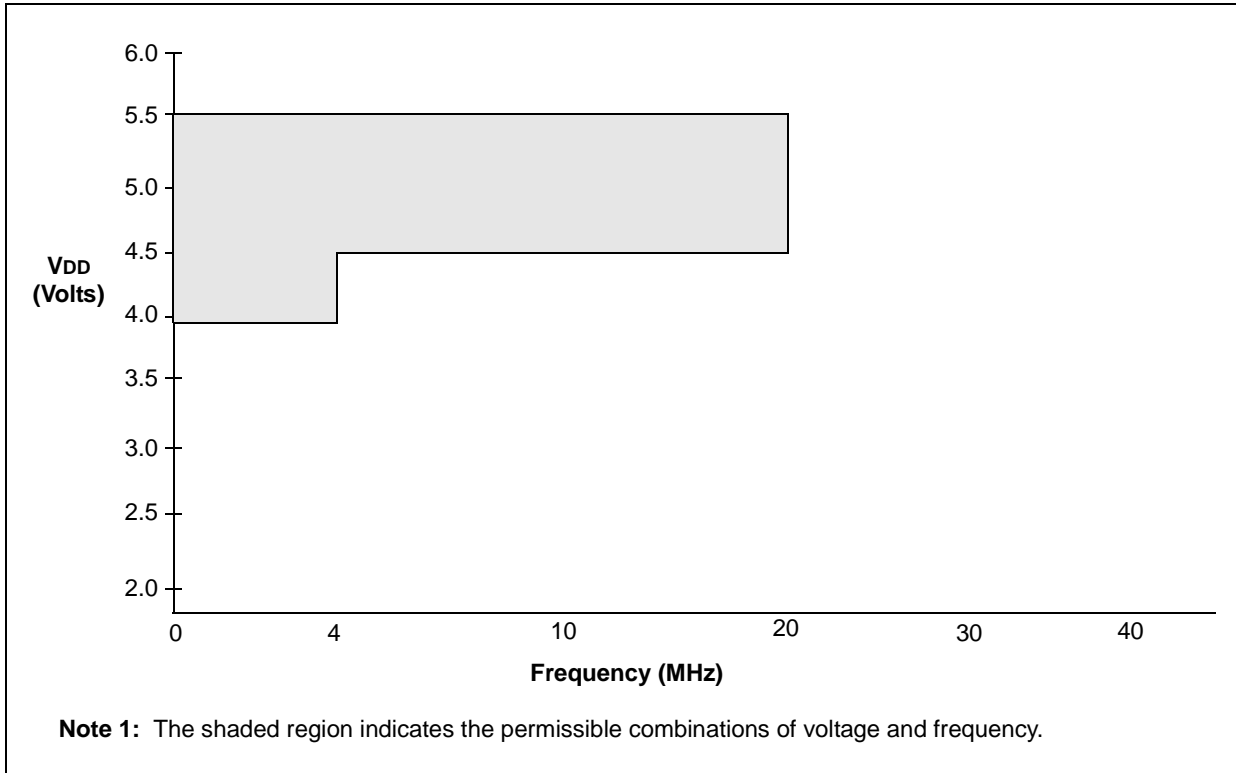
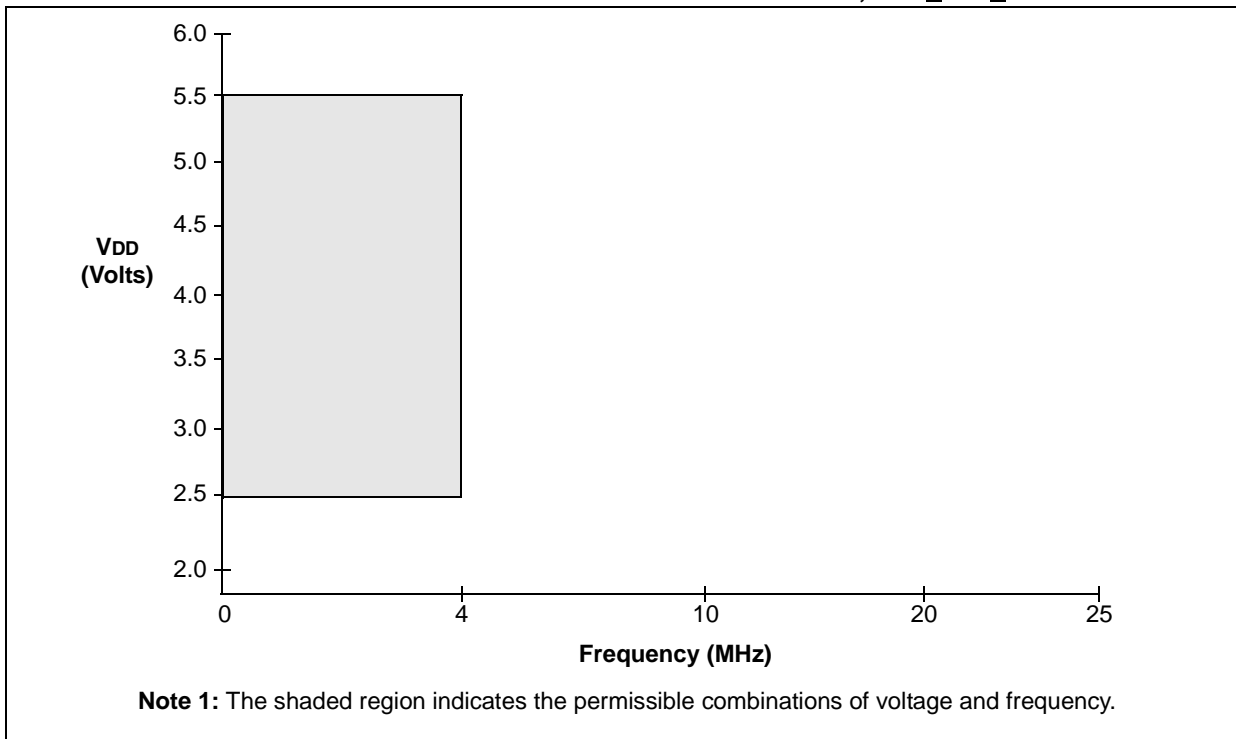


FIGURE 12-2: PIC16LC712/716 VOLTAGE-FREQUENCY GRAPH,  $0^{\circ}\text{C} \leq \text{TA} \leq +70^{\circ}\text{C}$



## 12.1 DC Characteristics: PIC16C712/716-04 (Commercial, Industrial, Extended) PIC16C712/716-20 (Commercial, Industrial, Extended)

| Standard Operating Conditions (unless otherwise stated) |                |  |                     |                           |                      |                          |  |
|---|----------------|--|---------------------|---------------------------|----------------------|--------------------------|--|
| DC CHARACTERISTICS                                      |                |  |                     |                           |                      |                          |  |
| Operating temperature                                   |                |  |                     |                           |                      |                          |  |
| 0°C ≤ TA ≤ +70°C for commercial                         |                |  |                     |                           |                      |                          |  |
| -40°C ≤ TA ≤ +85°C for industrial                       |                |  |                     |                           |                      |                          |  |
| -40°C ≤ TA ≤ +125°C for extended                        |                |  |                     |                           |                      |                          |  |
| Param No.   | Sym.           | Characteristic   | Min.                | Typ†                      | Max.                 | Units                    | Conditions   |
| D001<br>D001A   | VDD            | Supply Voltage   | 4.0<br>4.5<br>VBOR* | —<br>—<br>—               | 5.5<br>5.5<br>5.5    | V<br>V<br>V              | XT, RC and LP osc mode<br>HS osc mode<br>BOR enabled <sup>(7)</sup>  |
| D002*   | VDR            | RAM Data Retention Voltage <sup>(1)</sup>  | —                   | 1.5                       | —                    | V                        |  |
| D003  | VPOR           | VDD Start Voltage to ensure internal Power-on Reset signal   | —                   | VSS                       | —                    | V                        | See section on Power-on Reset for details  |
| D004*<br>D004A*   | SVDD           | VDD Rise Rate to ensure internal Power-on Reset signal   | 0.05<br>TBD         | —<br>—                    | —<br>—               | V/ms                     | PWRT enabled (PWRTÉ bit clear)<br>PWRT disabled (PWRTÉ bit set)<br>See section on Power-on Reset for details   |
| D005  | VBOR           | Brown-out Reset voltage trip point   | 3.65                | —                         | 4.35                 | V                        | BODEN bit set  |
| D010<br>D013  | IDD            | Supply Current <sup>(2,5)</sup>  | —<br>—              | 0.8<br>4.0                | 2.5<br>8.0           | mA<br>mA                 | FOSC = 4 MHz, VDD = 4.0V<br>FOSC = 20 MHz, VDD = 4.0V  |
| D020<br>D021<br>D021B                                   | IPD            | Power-down Current <sup>(3,5)</sup>  | —<br>—<br>—<br>—    | 10.5<br>1.5<br>1.5<br>2.5 | 42<br>16<br>19<br>19 | μA<br>μA<br>μA<br>μA     | VDD = 4.0V, WDT enabled, -40°C to +85°C<br>VDD = 4.0V, WDT disabled, 0°C to +70°C<br>VDD = 4.0V, WDT disabled, -40°C to +85°C<br>VDD = 4.0V, WDT disabled, -40°C to +125°C |
| D022*<br>D022A*   | ΔIWDT<br>ΔIBOR | Module Differential Current <sup>(6)</sup><br>Watchdog Timer<br>Brown-out Reset  | —<br>—              | 6.0<br>TBD                | 20<br>200            | μA<br>μA                 | WDTE bit set, VDD = 4.0V<br>BODEN bit set, VDD = 5.0V  |
| 1A  | FOSC           | LP Oscillator Operating Frequency<br>RC Oscillator Operating Frequency<br>XT Oscillator Operating Frequency<br>HS Oscillator Operating Frequency | 0<br>0<br>0<br>0    | —<br>—<br>—<br>—          | 200<br>4<br>4<br>20  | KHz<br>MHz<br>MHz<br>MHz | All temperatures<br>All temperatures<br>All temperatures<br>All temperatures   |

\* These parameters are characterized but not tested.

† Data in "Typ" column is at 5V, 25°C unless otherwise stated. These parameters are for design guidance only and are not tested.

**Note1:** This is the limit to which VDD can be lowered without losing RAM data.

**2:** The supply current is mainly a function of the operating voltage and frequency. Other factors such as I/O pin loading and switching rate, oscillator type, internal code execution pattern, and temperature also have an impact on the current consumption.

The test conditions for all IDD measurements in active operation mode are:

OSC1 = external square wave, from rail-to-rail; all I/O pins tri-stated, pulled to VDD,

MCLR = VDD; WDT enabled/disabled as specified.

**3:** The power-down current in Sleep mode does not depend on the oscillator type. Power-down current is measured with the part in Sleep mode, with all I/O pins in high-impedance state and tied to VDD and VSS.

**4:** For RC Osc mode, current through REXT is not included. The current through the resistor can be estimated by the formula  $I_r = V_{DD}/2R_{EXT}$  (mA) with REXT in kOhm.

**5:** Timer1 oscillator (when enabled) adds approximately 20 μA to the specification. This value is from characterization and is for design guidance only. This is not tested.

**6:** The Δ current is the additional current consumed when this peripheral is enabled. This current should be added to the base IDD or IPD measurement.

**7:** This is the voltage where the device enters the Brown-out Reset. When BOR is enabled, the device will operate correctly to this trip point.

# PIC16C712/716

## 12.2 DC Characteristics: PIC16LC712/716-04 (Commercial, Industrial)

| DC CHARACTERISTICS    |                | Standard Operating Conditions (unless otherwise stated)  |                  |                                 |                     |                                   |  |
|-----------------------|----------------|--|------------------|---------------------------------|---------------------|-----------------------------------|--|
|                       |                | Operating temperature  |                  | 0°C ≤ TA ≤ +70°C for commercial |                     | -40°C ≤ TA ≤ +85°C for industrial |  |
| Param No.             | Sym.           | Characteristic   | Min.             | Typ†                            | Max.                | Units                             | Conditions   |
| D001                  | VDD            | <b>Supply Voltage</b>  | 2.5<br>VBOR*     | —                               | 5.5                 | V                                 | BOR enabled ( <b>Note 7</b> )  |
| D002*                 | VDR            | <b>RAM Data Retention Voltage<sup>(1)</sup></b>  | —                | 1.5                             | —                   | V                                 |  |
| D003                  | VPOR           | <b>VDD Start Voltage</b> to ensure internal Power-on Reset signal  | —                | VSS                             | —                   | V                                 | See section on Power-on Reset for details  |
| D004*<br>D004A*       | SVDD           | <b>VDD Rise Rate</b> to ensure internal Power-on Reset signal  | 0.05<br>TBD      | —<br>—                          | —<br>—              | V/ms                              | PWRT enabled (PWRTÉ bit clear)<br>PWRT disabled (PWRTÉ bit set)<br>See section on Power-on Reset for details |
| D005                  | VBOR           | <b>Brown-out Reset</b> voltage trip point  | 3.65             | —                               | 4.35                | V                                 | BODEN bit set  |
| D010<br>D010A         | IDD            | <b>Supply Current<sup>(2,5)</sup></b>  | —                | 2.0                             | 3.8                 | mA                                | XT, RC osc modes<br>FOSC = 4 MHz, VDD = 3.0V ( <b>Note 4</b> )   |
|                       |                |  | —                | 22.5                            | 48                  | µA                                | LP osc mode<br>FOSC = 32 kHz, VDD = 3.0V, WDT disabled   |
| D020<br>D021<br>D021A | IPD            | <b>Power-down Current<sup>(3,5)</sup></b>  | —                | 7.5                             | 30                  | µA                                | VDD = 3.0V, WDT enabled, -40°C to +85°C  |
|                       |                |  | —                | 0.9                             | 5                   | µA                                | VDD = 3.0V, WDT disabled, 0°C to +70°C   |
|                       |                |  | —                | 0.9                             | 5                   | µA                                | VDD = 3.0V, WDT disabled, -40°C to +85°C   |
| D022*<br>D022A*       | ΔIWDT<br>ΔIBOR | <b>Module Differential Current<sup>(6)</sup></b><br>Watchdog Timer<br>Brown-out Reset  | —<br>—           | 6.0<br>TBD                      | 20<br>200           | µA<br>µA                          | WDTE bit set, VDD = 4.0V<br>BODEN bit set, VDD = 5.0V  |
| 1A                    | FOSC           | LP Oscillator Operating Frequency<br>RC Oscillator Operating Frequency<br>XT Oscillator Operating Frequency<br>HS Oscillator Operating Frequency | 0<br>0<br>0<br>0 | —<br>—<br>—<br>—                | 200<br>4<br>4<br>20 | KHz<br>MHz<br>MHz<br>MHz          | All temperatures<br>All temperatures<br>All temperatures<br>All temperatures                                 |

\* These parameters are characterized but not tested.

† Data in "Typ" column is at 5V, 25°C unless otherwise stated. These parameters are for design guidance only and are not tested.

**Note1:** This is the limit to which VDD can be lowered without losing RAM data.

**2:** The supply current is mainly a function of the operating voltage and frequency. Other factors such as I/O pin loading and switching rate, oscillator type, internal code execution pattern, and temperature also have an impact on the current consumption.

The test conditions for all IDD measurements in active operation mode are:

OSC1 = external square wave, from rail-to-rail; all I/O pins tri-stated, pulled to VDD,

MCLR = VDD; WDT enabled/disabled as specified.

**3:** The power-down current in Sleep mode does not depend on the oscillator type. Power-down current is measured with the part in Sleep mode, with all I/O pins in high-impedance state and tied to VDD and VSS.

**4:** For RC Osc mode, current through REXT is not included. The current through the resistor can be estimated by the formula  $I_r = V_{DD}/2R_{EXT}$  (mA) with REXT in kOhm.

**5:** Timer1 oscillator (when enabled) adds approximately 20 µA to the specification. This value is from characterization and is for design guidance only. This is not tested.

**6:** The Δ current is the additional current consumed when this peripheral is enabled. This current should be added to the base IDD or IPD measurement.

**7:** This is the voltage where the device enters the Brown-out Reset. When BOR is enabled, the device will operate correctly to this trip point.

## 12.3 DC Characteristics: PIC16C712/716-04 (Commercial, Industrial, Extended) PIC16C712/716-20 (Commercial, Industrial, Extended) PIC16LC712/716-04 (Commercial, Industrial)

| Standard Operating Conditions (unless otherwise stated)   |          |   |  |                                 |   |   |   |
|---|----------|---|--|---------------------------------|---|---|---|
| Operating temperature $0^{\circ}\text{C} \leq T_A \leq +70^{\circ}\text{C}$ for commercial<br>$-40^{\circ}\text{C} \leq T_A \leq +85^{\circ}\text{C}$ for industrial<br>$-40^{\circ}\text{C} \leq T_A \leq +125^{\circ}\text{C}$ for extended<br>Operating voltage $V_{DD}$ range as described in DC spec <b>Section 12.1</b><br><b>“DC Characteristics: PIC16C712/716-04 (Commercial, Industrial, Extended) PIC16C712/716-20 (Commercial, Industrial, Extended)”</b> and <b>Section 12.2</b> <b>“DC Characteristics: PIC16LC712/716-04 (Commercial, Industrial)”</b> |          |   |  |                                 |   |   |   |
| Param No.   | Sym.     | Characteristic  | Min.   | Typ†                            | Max.  | Units   | Conditions  |
| D030<br>D030A<br>D031<br>D032<br>D033   | $V_{IL}$ | <b>Input Low Voltage</b><br>I/O ports<br>with TTL buffer<br>with Schmitt Trigger buffer<br>$\overline{MCLR}$ , OSC1 (in RC mode)<br>OSC1 (in XT, HS and LP modes) | $V_{SS}$<br>$V_{SS}$<br>$V_{SS}$<br>$V_{SS}$<br>$V_{SS}$   | —<br>—<br>—<br>—<br>—           | 0.8V<br>0.15V <sub>DD</sub><br>0.2V <sub>DD</sub><br>0.2V <sub>DD</sub><br>0.3V <sub>DD</sub> | V<br>V<br>V<br>V<br>V                           | $4.5\text{V} \leq V_{DD} \leq 5.5\text{V}$<br>otherwise<br><br><b>(Note 1)</b>  |
| D040<br>D040A<br><br>D041<br>D042<br>D042A<br>D043  | $V_{IH}$ | <b>Input High Voltage</b><br>I/O ports<br>with TTL buffer<br>with Schmitt Trigger buffer<br>$\overline{MCLR}$<br>OSC1 (XT, HS and LP modes)<br>OSC1 (in RC mode)  | 2.0<br>0.25V <sub>DD</sub><br>+ 0.8V<br>0.8V <sub>DD</sub><br>0.8V <sub>DD</sub><br>0.7V <sub>DD</sub><br>0.9V <sub>DD</sub> | —<br>—<br>—<br>—<br>—<br>—<br>— | $V_{DD}$<br>$V_{DD}$<br>$V_{DD}$<br>$V_{DD}$<br>$V_{DD}$<br>$V_{DD}$<br>$V_{DD}$              | V<br>V<br>V<br>V<br>V<br>V<br>V                 | $4.5\text{V} \leq V_{DD} \leq 5.5\text{V}$<br>otherwise<br><br>For entire $V_{DD}$ range<br><b>(Note 1)</b>   |
| D060<br><br>D061<br>D063  | $I_{IL}$ | <b>Input Leakage Current (Notes 2, 3)</b><br>I/O ports<br>$\overline{MCLR}$ , RA4/T0CKI<br>OSC1   | —<br>—<br>—  | —<br>—<br>—                     | $\pm 1$<br>$\pm 5$<br>$\pm 5$   | $\mu\text{A}$<br>$\mu\text{A}$<br>$\mu\text{A}$ | $V_{SS} \leq V_{PIN} \leq V_{DD}$ ,<br>Pin at high-impedance<br>$V_{SS} \leq V_{PIN} \leq V_{DD}$<br>$V_{SS} \leq V_{PIN} \leq V_{DD}$ ,<br>XT, HS and LP osc modes |
| D070  | IPURB    | <b>PORTB weak pull-up current</b>   | 50   | 250                             | 400   | $\mu\text{A}$                                   | $V_{DD} = 5\text{V}$ , $V_{PIN} = V_{SS}$   |

\* These parameters are characterized but not tested.

† Data in “Typ” column is at 5V, 25°C unless otherwise stated. These parameters are for design guidance only and are not tested.

- Note 1:** In RC Oscillator mode, the OSC1/CLKIN pin is a Schmitt Trigger input. It is not recommended that the PIC MCU be driven with external clock in RC mode.
- 2:** The leakage current on the  $\overline{MCLR}/V_{PP}$  pin is strongly dependent on the applied voltage level. The specified levels represent normal operating conditions. Higher leakage current may be measured at different input voltages.
- 3:** Negative current is defined as current sourced by the pin.

# PIC16C712/716

| <b>Standard Operating Conditions (unless otherwise stated)</b><br>Operating temperature $0^{\circ}\text{C} \leq T_A \leq +70^{\circ}\text{C}$ for commercial<br>$-40^{\circ}\text{C} \leq T_A \leq +85^{\circ}\text{C}$ for industrial<br>$-40^{\circ}\text{C} \leq T_A \leq +125^{\circ}\text{C}$ for extended<br><br>Operating voltage $V_{DD}$ range as described in DC spec <b>Section 12.1</b><br><b>“DC Characteristics: PIC16C712/716-04 (Commercial, Industrial, Extended) PIC16C712/716-20 (Commercial, Industrial, Extended)”</b> and <b>Section 12.2</b> <b>“DC Characteristics: PIC16LC712/716-04 (Commercial, Industrial)”</b> |       |   |              |      |      |       |   |
|---|-------|---|--------------|------|------|-------|---|
| Param No.   | Sym.  | Characteristic  | Min.         | Typ† | Max. | Units | Conditions  |
| D080  | VOL   | <b>Output Low Voltage</b><br>I/O ports                    | —            | —    | 0.6  | V     | $I_{OL} = 8.5\text{ mA}$ , $V_{DD} = 4.5\text{V}$ ,<br>$-40^{\circ}\text{C}$ to $+85^{\circ}\text{C}$   |
| D083  |       | OSC2/CLKOUT<br>(RC Osc mode)                              | —            | —    | 0.6  | V     | $I_{OL} = 7.0\text{ mA}$ , $V_{DD} = 4.5\text{V}$ ,<br>$-40^{\circ}\text{C}$ to $+125^{\circ}\text{C}$  |
|   |       |   | —            | —    | 0.6  | V     | $I_{OL} = 1.6\text{ mA}$ , $V_{DD} = 4.5\text{V}$ ,<br>$-40^{\circ}\text{C}$ to $+85^{\circ}\text{C}$   |
|   |       |   | —            | —    | 0.6  | V     | $I_{OL} = 1.2\text{ mA}$ , $V_{DD} = 4.5\text{V}$ ,<br>$-40^{\circ}\text{C}$ to $+125^{\circ}\text{C}$  |
| D090  | VOH   | <b>Output High Voltage</b><br>I/O ports ( <b>Note 3</b> ) | $V_{DD}-0.7$ | —    | —    | V     | $I_{OH} = -3.0\text{ mA}$ , $V_{DD} = 4.5\text{V}$ ,<br>$-40^{\circ}\text{C}$ to $+85^{\circ}\text{C}$  |
|   |       |   | $V_{DD}-0.7$ | —    | —    | V     | $I_{OH} = -2.5\text{ mA}$ , $V_{DD} = 4.5\text{V}$ ,<br>$-40^{\circ}\text{C}$ to $+125^{\circ}\text{C}$ |
| D092  |       | OSC2/CLKOUT (RC Osc mode)                                 | $V_{DD}-0.7$ | —    | —    | V     | $I_{OH} = -1.3\text{ mA}$ , $V_{DD} = 4.5\text{V}$ ,<br>$-40^{\circ}\text{C}$ to $+85^{\circ}\text{C}$  |
|   |       |   | $V_{DD}-0.7$ | —    | —    | V     | $I_{OH} = -1.0\text{ mA}$ , $V_{DD} = 4.5\text{V}$ ,<br>$-40^{\circ}\text{C}$ to $+125^{\circ}\text{C}$ |
| D150*   | VOD   | <b>Open-Drain High Voltage</b>                            | —            | —    | 8.5  | V     | RA4 pin   |
|   |       | <b>Capacitive Loading Specs on Output Pins</b>            |              |      |      |       |   |
| D100  | Cosc2 | OSC2 pin  | —            | —    | 15   | pF    | In XT, HS and LP modes when external clock is used to drive OSC1.                                       |
| D101  | Cio   | All I/O pins and OSC2 (in RC mode)                        | —            | —    | 50   | pF    |   |

\* These parameters are characterized but not tested.

† Data in “Typ” column is at 5V, 25°C unless otherwise stated. These parameters are for design guidance only and are not tested.

- Note 1:** In RC Oscillator mode, the OSC1/CLKIN pin is a Schmitt Trigger input. It is not recommended that the PIC MCU be driven with external clock in RC mode.
- 2:** The leakage current on the  $\overline{\text{MCLR}}/\text{VPP}$  pin is strongly dependent on the applied voltage level. The specified levels represent normal operating conditions. Higher leakage current may be measured at different input voltages.
- 3:** Negative current is defined as current sourced by the pin.

## 12.4 AC (Timing) Characteristics

### 12.4.1 TIMING PARAMETER SYMBOLOGY

The timing parameter symbols have been created using one of the following formats:

1. TppS2ppS
2. TppS

|          |           |   |      |
|----------|-----------|---|------|
| <b>T</b> |           |   |      |
| F        | Frequency | T | Time |

Lowercase letters (pp) and their meanings:

|           |                   |     |                                    |
|-----------|-------------------|-----|------------------------------------|
| <b>pp</b> |                   |     |                                    |
| cc        | CCP1              | osc | OSC1                               |
| ck        | CLKOUT            | rd  | $\overline{RD}$                    |
| cs        | $\overline{CS}$   | rw  | $\overline{RD}$ or $\overline{WR}$ |
| di        | SDI               | sc  | SCK                                |
| do        | SDO               | ss  | $\overline{SS}$                    |
| dt        | Data in           | t0  | T0CKI                              |
| io        | I/O port          | t1  | T1CKI                              |
| mc        | $\overline{MCLR}$ | wr  | $\overline{WR}$                    |

Uppercase letters and their meanings:

|          |                          |   |                |
|----------|--------------------------|---|----------------|
| <b>S</b> |                          |   |                |
| F        | Fall                     | P | Period         |
| H        | High                     | R | Rise           |
| I        | Invalid (High-impedance) | V | Valid          |
| L        | Low                      | Z | High-impedance |

# PIC16C712/716

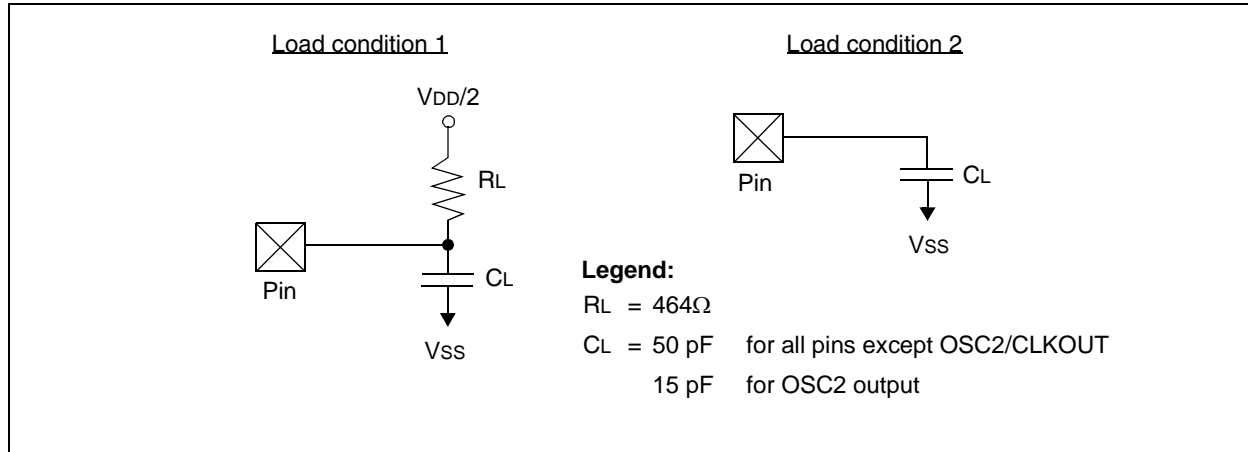
## 12.4.2 TIMING CONDITIONS

The temperature and voltages specified in Table 12-1 apply to all timing specifications, unless otherwise noted. Figure 12-3 specifies the load conditions for the timing specifications.

**TABLE 12-1: TEMPERATURE AND VOLTAGE SPECIFICATIONS – AC**

|                           |  |
|---------------------------|--|
|                           | <b>Standard Operating Conditions (unless otherwise stated)</b>   |
|                           | Operating temperature $0^{\circ}\text{C} \leq T_A \leq +70^{\circ}\text{C}$ for commercial   |
|                           | $-40^{\circ}\text{C} \leq T_A \leq +85^{\circ}\text{C}$ for industrial   |
|                           | $-40^{\circ}\text{C} \leq T_A \leq +125^{\circ}\text{C}$ for extended  |
| <b>AC CHARACTERISTICS</b> | Operating voltage $V_{DD}$ range as described in DC spec <b>Section 12.1 “DC Characteristics: PIC16C712/716-04 (Commercial, Industrial, Extended) PIC16C712/716-20 (Commercial, Industrial, Extended)”</b> and <b>Section 12.2 “DC Characteristics: PIC16C712/716-04 (Commercial, Industrial)”</b> . |
|                           | LC parts operate for commercial/industrial temp's only.  |

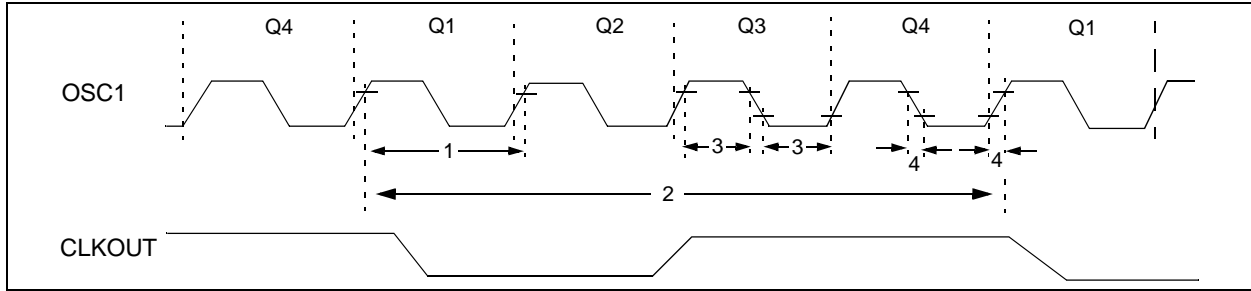
**FIGURE 12-3: LOAD CONDITIONS FOR DEVICE TIMING SPECIFICATIONS**





## 12.4.3 TIMING DIAGRAMS AND SPECIFICATIONS

**FIGURE 12-4: EXTERNAL CLOCK TIMING**



**TABLE 12-2: EXTERNAL CLOCK TIMING REQUIREMENTS**

| Param No. | Sym.          | Characteristic                                    | Min. | Typ† | Max.   | Units | Conditions          |
|-----------|---------------|---|------|------|--------|-------|---------------------|
| 1A        | Fosc          | <b>External CLKIN Frequency (Note 1)</b>          | DC   | —    | 4      | MHz   | RC and XT osc modes |
|           |               |   | DC   | —    | 4      | MHz   | HS osc mode (-04)   |
|           |               |   | DC   | —    | 20     | MHz   | HS osc mode (-20)   |
|           |               |   | DC   | —    | 200    | kHz   | LP osc mode         |
|           |               | <b>Oscillator Frequency (Note 1)</b>              | DC   | —    | 4      | MHz   | RC osc mode         |
|           |               |   | 0.1  | —    | 4      | MHz   | XT osc mode         |
|           |               |   | 4    | —    | 20     | MHz   | HS osc mode         |
|           |               |   | 5    | —    | 200    | kHz   | LP osc mode         |
| 1         | Tosc          | <b>External CLKIN Period (Note 1)</b>             | 250  | —    | —      | ns    | RC and XT osc modes |
|           |               |   | 250  | —    | —      | ns    | HS osc mode (-04)   |
|           |               |   | 50   | —    | —      | ns    | HS osc mode (-20)   |
|           |               |   | 5    | —    | —      | μs    | LP osc mode         |
|           |               | <b>Oscillator Period (Note 1)</b>                 | 250  | —    | —      | ns    | RC osc mode         |
|           |               |   | 250  | —    | 10,000 | ns    | XT osc mode         |
|           |               |   | 250  | —    | 250    | ns    | HS osc mode (-04)   |
|           |               |   | 50   | —    | 250    | ns    | HS osc mode (-20)   |
|           |               |   | 5    | —    | —      | μs    | LP osc mode         |
| 2         | Tcy           | <b>Instruction Cycle Time (Note 1)</b>            | 200  | —    | DC     | ns    | Tcy = 4/Fosc        |
| 3*        | TosL,<br>TosH | <b>External Clock in (OSC1) High or Low Time</b>  | 100  | —    | —      | ns    | XT oscillator       |
|           |               |   | 2.5  | —    | —      | μs    | LP oscillator       |
|           |               |   | 15   | —    | —      | ns    | HS oscillator       |
| 4*        | TosR,<br>TosF | <b>External Clock in (OSC1) Rise or Fall Time</b> | —    | —    | 25     | ns    | XT oscillator       |
|           |               |   | —    | —    | 50     | ns    | LP oscillator       |
|           |               |   | —    | —    | 15     | ns    | HS oscillator       |

\* These parameters are characterized but not tested.

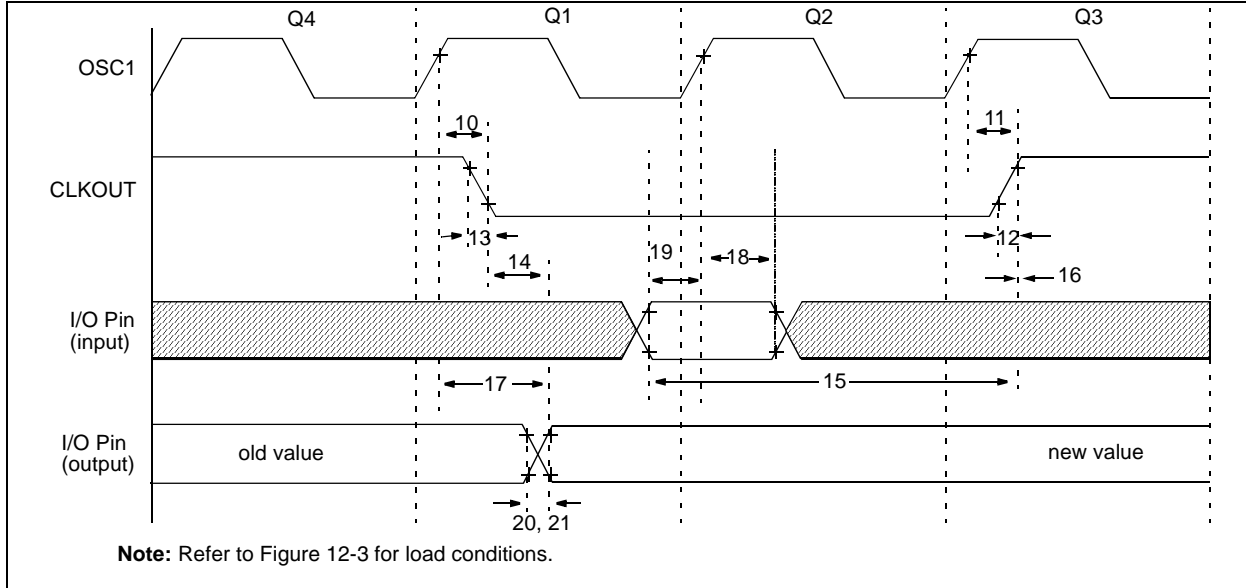
† Data in "Typ" column is at 5V, 25°C unless otherwise stated. These parameters are for design guidance only and are not tested.

**Note1:** Instruction cycle period (Tcy) equals four times the input oscillator time base period. All specified values are based on characterization data for that particular oscillator type under standard operating conditions with the device executing code. Exceeding these specified limits may result in an unstable oscillator operation and/or higher than expected current consumption. All devices are tested to operate at "min." values with an external clock applied to the OSC1/CLKIN pin.

When an external clock input is used, the "Max." cycle time limit is "DC" (no clock) for all devices.

# PIC16C712/716

**FIGURE 12-5: CLKOUT AND I/O TIMING**



**TABLE 12-3: CLKOUT AND I/O TIMING REQUIREMENTS**

| Param No. | Sym.     | Characteristic  | Min.            | Typ† | Max.                    | Units | Conditions    |  |
|-----------|----------|---|-----------------|------|-------------------------|-------|---------------|--|
| 10*       | TosH2ckL | OSC1↑ to CLKOUT↓  | —               | 75   | 200                     | ns    | <b>Note 1</b> |  |
| 11*       | TosH2ckH | OSC1! to CLKOUT!  | —               | 75   | 200                     | ns    | <b>Note 1</b> |  |
| 12*       | TckR     | CLKOUT rise time  | —               | 35   | 100                     | ns    | <b>Note 1</b> |  |
| 13*       | TckF     | CLKOUT fall time  | —               | 35   | 100                     | ns    | <b>Note 1</b> |  |
| 14*       | TckL2ioV | CLKOUT ∅ to Port out valid                                | —               | —    | 0.5T <sub>CY</sub> + 20 | ns    | <b>Note 1</b> |  |
| 15*       | TioV2ckH | Port in valid before CLKOUT !                             | Tosc + 200      | —    | —                       | ns    | <b>Note 1</b> |  |
| 16*       | TckH2iol | Port in hold after CLKOUT !                               | 0               | —    | —                       | ns    | <b>Note 1</b> |  |
| 17*       | TosH2ioV | OSC1! (Q1 cycle) to Port out valid                        | —               | 50   | 150                     | ns    |               |  |
| 18*       | TosH2iol | OSC1! (Q2 cycle) to Port input invalid (I/O in hold time) | Standard        | 100  | —                       | —     | ns            |  |
| 18A*      |          |   | Extended (LC)   | 200  | —                       | —     | ns            |  |
| 19*       | TioV2osH | Port input valid to OSC1! (I/O in setup time)             | 0               | —    | —                       | ns    |               |  |
| 20*       | TioR     | Port output rise time                                     | Standard        | —    | 10                      | 40    | ns            |  |
| 20A*      |          |   | Extended (LC)   | —    | —                       | 80    | ns            |  |
| 21*       | TioF     | Port output fall time                                     | Standard        | —    | 10                      | 40    | ns            |  |
| 21A*      |          |   | Extended (LC)   | —    | —                       | 80    | ns            |  |
| 22††      | TINP     | INT pin high or low time                                  | T <sub>CY</sub> | —    | —                       | ns    |               |  |
| 23††      | TRBP     | RB7:RB4 change INT high or low time                       | T <sub>CY</sub> | —    | —                       | ns    |               |  |

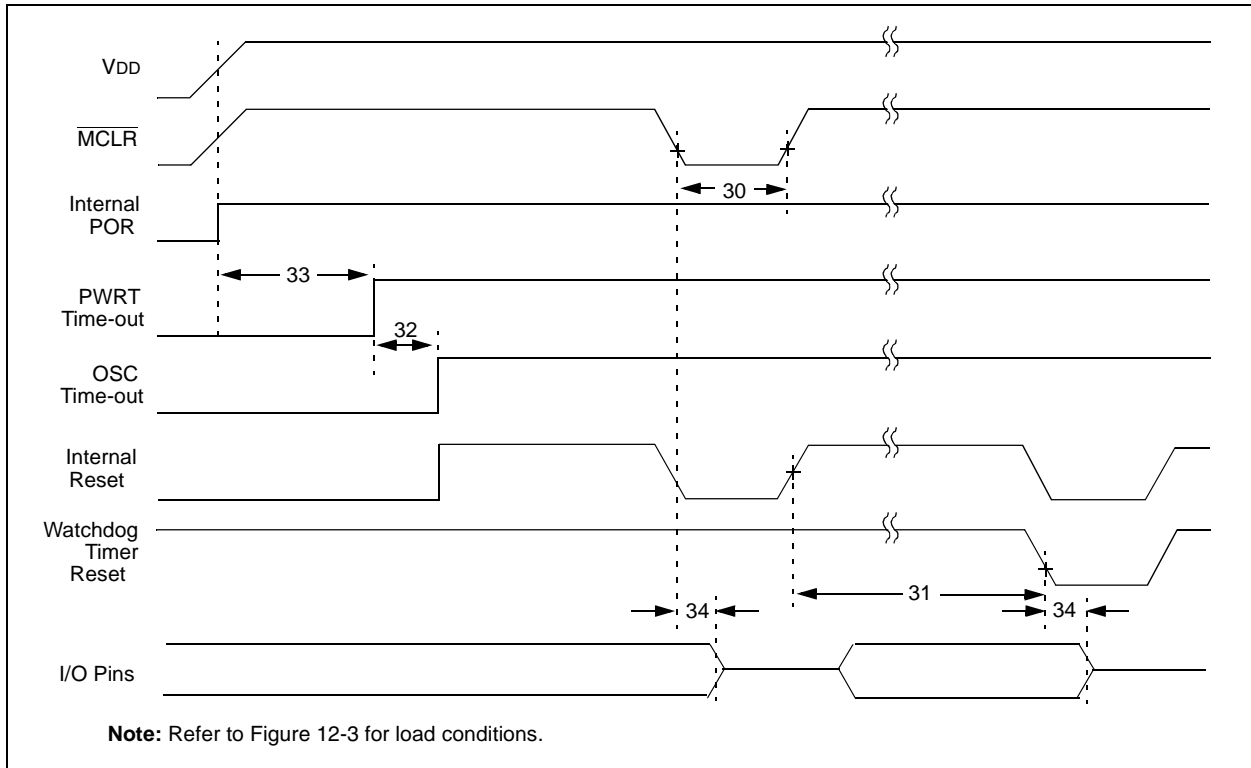
\* These parameters are characterized but not tested.

† Data in "Typ" column is at 5V, 25°C unless otherwise stated. These parameters are for design guidance only and are not tested.

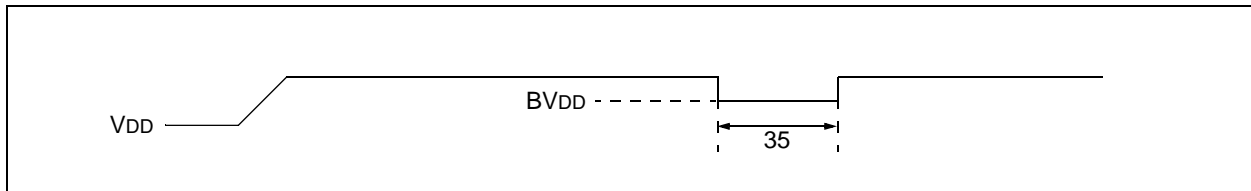
†† These parameters are asynchronous events not related to any internal clock edge.

**Note1:** Measurements are taken in RC mode where CLKOUT output is 4 x Tosc.

**FIGURE 12-6: RESET, WATCHDOG TIMER, OSCILLATOR START-UP TIMER AND POWER-UP TIMER TIMING**



**FIGURE 12-7: BROWN-OUT RESET TIMING**



**TABLE 12-4: RESET, WATCHDOG TIMER, OSCILLATOR START-UP TIMER, POWER-UP TIMER, AND BROWN-OUT RESET REQUIREMENTS**

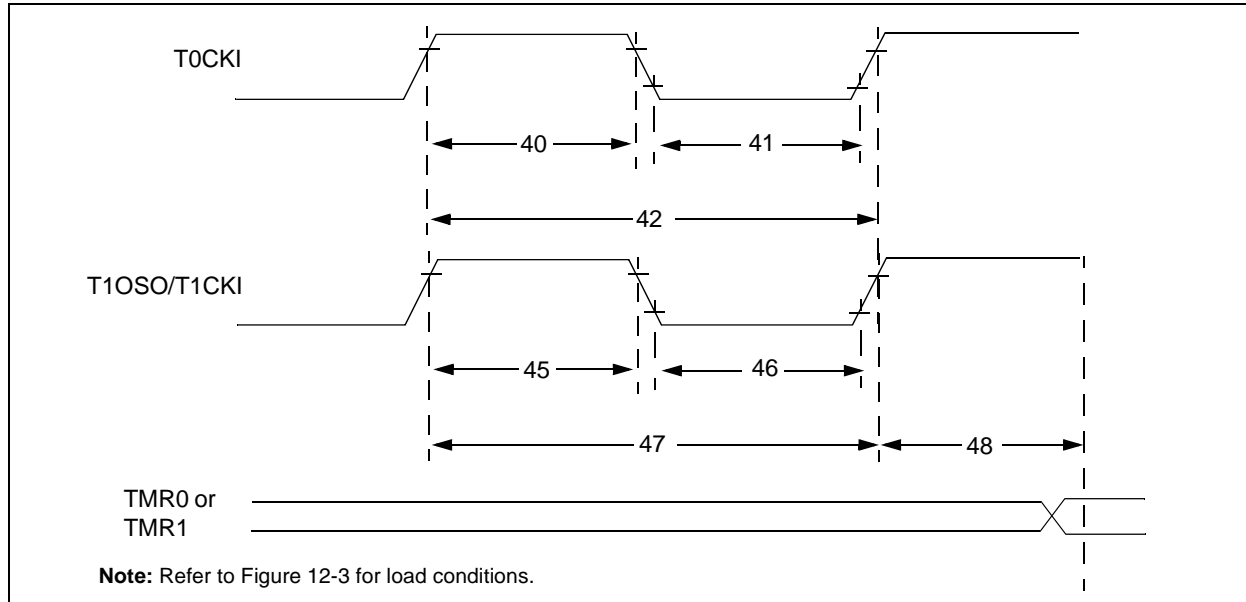
| Parameter No. | Sym.  | Characteristic                                | Min. | Typ†      | Max. | Units | Conditions                |
|---------------|-------|---|------|-----------|------|-------|---------------------------|
| 30            | TmCL  | MCLR Pulse Width (low)                        | 2    | —         | —    | μs    | VDD = 5V, -40°C to +125°C |
| 31*           | TWDT  | Watchdog Timer Time-out Period (No Prescaler) | 7    | 18        | 33   | ms    | VDD = 5V, -40°C to +125°C |
| 32            | TOST  | Oscillation Start-up Timer Period             | —    | 1024 TOSC | —    | —     | TOSC = OSC1 period        |
| 33*           | TPWRT | Power-up Timer Period                         | 28   | 72        | 132  | ms    | VDD = 5V, -40°C to +125°C |
| 34            | TIOZ  | I/O High-impedance from MCLR Low or WDT Reset | —    | —         | 2.1  | μs    |                           |
| 35            | TBOR  | Brown-out Reset Pulse Width                   | 100  | —         | —    | μs    | VDD ≤ BVDD (D005)         |

\* These parameters are characterized but not tested.

† Data in "Typ" column is at 5V, 25°C unless otherwise stated. These parameters are for design guidance only and are not tested.

# PIC16C712/716

**FIGURE 12-8: TIMER0 AND TIMER1 EXTERNAL CLOCK TIMINGS**



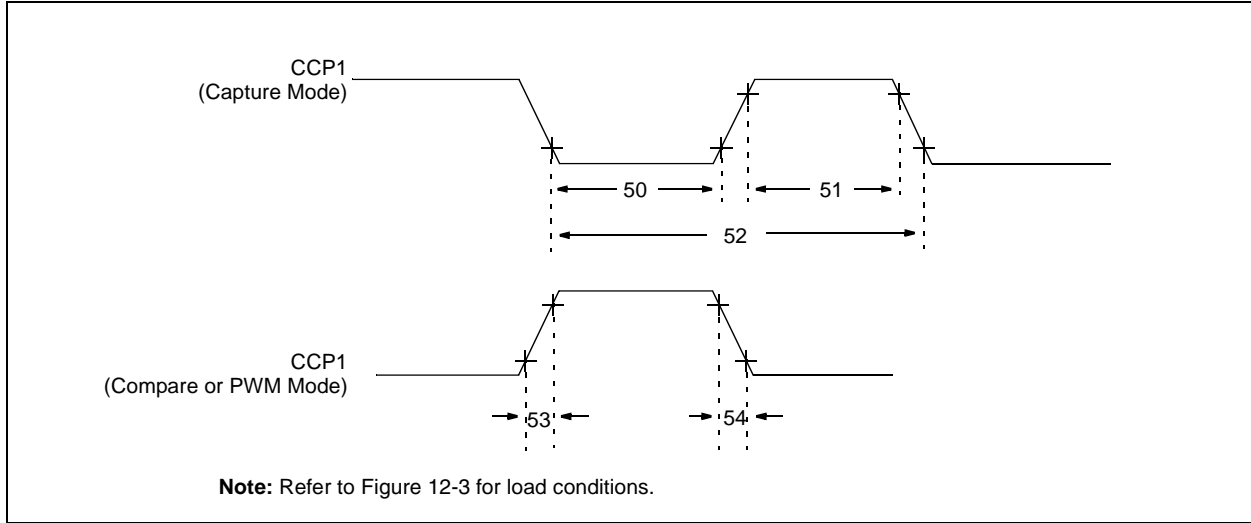
**TABLE 12-5: TIMER0 AND TIMER1 EXTERNAL CLOCK REQUIREMENTS**

| Param No. | Sym.      | Characteristic  | Min.   | Typ† | Max.  | Units | Conditions                          |                                 |
|-----------|-----------|---|--|------|-------|-------|-------------------------------------|---------------------------------|
| 40*       | Tt0H      | T0CKI High Pulse Width  | No Prescaler<br>0.5TCY + 20<br>With Prescaler<br>10  | —    | —     | ns    | Must also meet parameter 42         |                                 |
| 41*       | Tt0L      | T0CKI Low Pulse Width   | No Prescaler<br>0.5TCY + 20<br>With Prescaler<br>10  | —    | —     | ns    |                                     |                                 |
| 42*       | Tt0P      | T0CKI Period  | No Prescaler<br>TCY + 40<br>With Prescaler<br>Greater of:<br>20 or TCY + 40<br>N   | —    | —     | ns    | N = prescale value (2, 4, ..., 256) |                                 |
| 45*       | Tt1H      | T1CKI High Time   | Synchronous, Prescaler = 1<br>0.5TCY + 20<br>Synchronous, Prescaler = 2,4,8<br>Standard<br>15<br>Extended (LC)<br>25<br>Asynchronous<br>Standard<br>30<br>Extended (LC)<br>50  | —    | —     | ns    | Must also meet parameter 47         |                                 |
| 46*       | Tt1L      | T1CKI Low Time  | Synchronous, Prescaler = 1<br>0.5TCY + 20<br>Synchronous, Prescaler = 2,4,8<br>Standard<br>15<br>Extended (LC)<br>25<br>Asynchronous<br>Standard<br>30<br>Extended (LC)<br>50  | —    | —     | ns    |                                     |                                 |
| 47*       | Tt1P      | T1CKI input period  | Synchronous<br>Standard<br>Greater of:<br>30 or TCY + 40<br>N<br>Extended (LC)<br>Greater of:<br>50 or TCY + 40<br>N<br>Asynchronous<br>Standard<br>60<br>Extended (LC)<br>100 | —    | —     | ns    |                                     | N = prescale value (1, 2, 4, 8) |
|           | Ft1       | Timer1 oscillator input frequency range (oscillator enabled by setting bit T1OSCEN) | DC   | —    | 200   | kHz   |                                     |                                 |
| 48        | TCKEZtmr1 | Delay from external clock edge to timer increment                                   | 2Tosc  | —    | 7Tosc | —     |                                     |                                 |

\* These parameters are characterized but not tested.

† Data in "Typ" column is at 5V, 25°C unless otherwise stated. These parameters are for design guidance only and are not tested.

**FIGURE 12-9: CAPTURE/COMPARE/PWM TIMINGS**



**TABLE 12-6: CAPTURE/COMPARE/PWM REQUIREMENTS**

| Param No. | Sym. | Characteristic        | Min                      | Typ†             | Max | Units | Conditions                       |    |
|-----------|------|-----------------------|--------------------------|------------------|-----|-------|----------------------------------|----|
| 50*       | TccL | CCP1 input low time   | No Prescaler             | $0.5T_{CY} + 20$ | —   | —     | ns                               |    |
|           |      |                       | With Prescaler           | Standard         | 10  | —     | —                                | ns |
|           |      |                       |                          | Extended (LC)    | 20  | —     | —                                | ns |
| 51*       | TccH | CCP1 input high time  | No Prescaler             | $0.5T_{CY} + 20$ | —   | —     | ns                               |    |
|           |      |                       | With Prescaler           | Standard         | 10  | —     | —                                | ns |
|           |      |                       |                          | Extended (LC)    | 20  | —     | —                                | ns |
| 52*       | TccP | CCP1 input period     | $\frac{3T_{CY} + 40}{N}$ | —                | —   | ns    | N = prescale value (1, 4, or 16) |    |
| 53*       | TccR | CCP1 output rise time | Standard                 | —                | 10  | 25    | ns                               |    |
|           |      |                       | Extended (LC)            | —                | 25  | 45    | ns                               |    |
| 54*       | TccF | CCP1 output fall time | Standard                 | —                | 10  | 25    | ns                               |    |
|           |      |                       | Extended (LC)            | —                | 25  | 45    | ns                               |    |

\* These parameters are characterized but not tested.

† Data in "Typ" column is at 5V, 25°C unless otherwise stated. These parameters are for design guidance only and are not tested.

# PIC16C712/716

**TABLE 12-7: A/D CONVERTER CHARACTERISTICS:  
PIC16C712/716-04 (COMMERCIAL, INDUSTRIAL, EXTENDED)  
PIC16C712/716-20 (COMMERCIAL, INDUSTRIAL, EXTENDED)  
PIC16LC712/716-04 (COMMERCIAL, INDUSTRIAL)**

| Param No. | Sym. | Characteristic                                 | Min.          | Typ†                   | Max.       | Units | Conditions                               |   |
|-----------|------|--|---------------|------------------------|------------|-------|--|---|
| A01       | NR   | Resolution                                     | —             | —                      | 8-bits     | bit   | VREF = VDD = 5.12V,<br>VSS £ VAIN £ VREF |   |
| A02       | EABS | Total Absolute error                           | —             | —                      | < ± 1      | LSb   | VREF = VDD = 5.12V,<br>VSS £ VAIN £ VREF |   |
| A03       | EIL  | Integral linearity error                       | —             | —                      | < ± 1      | LSb   | VREF = VDD = 5.12V,<br>VSS £ VAIN £ VREF |   |
| A04       | EDL  | Differential linearity error                   | —             | —                      | < ± 1      | LSb   | VREF = VDD = 5.12V,<br>VSS £ VAIN £ VREF |   |
| A05       | EFS  | Full scale error                               | —             | —                      | < ± 1      | LSb   | VREF = VDD = 5.12V,<br>VSS £ VAIN £ VREF |   |
| A06       | E0FF | Offset error                                   | —             | —                      | < ± 1      | LSb   | VREF = VDD = 5.12V,<br>VSS £ VAIN £ VREF |   |
| A10       | —    | Monotonicity                                   | —             | guaranteed<br>(Note 3) | —          | —     | VSS £ VAIN £ VREF                        |   |
| A20       | VREF | Reference voltage                              | 2.5V          | —                      | VDD + 0.3  | V     |  |   |
| A25       | VAIN | Analog input voltage                           | VSS - 0.3     | —                      | VREF + 0.3 | V     |  |   |
| A30       | ZAIN | Recommended impedance of analog voltage source | —             | —                      | 10.0       | kΩ    |  |   |
| A40       | IAD  | A/D conversion current (VDD)                   | Standard      | —                      | 180        | —     | μA                                       | Average current consumption when A/D is on.<br>(Note 1)   |
|           |      |  | Extended (LC) | —                      | 90         | —     | μA                                       |   |
| A50       | IREF | VREF input current (Note 2)                    | 10            | —                      | 1000       | —     | μA                                       | During VAIN acquisition. Based on differential of VHOLD to VAIN to charge CHOLD, see Section 9.1 "Configuration Bits".<br><br>During A/D Conversion cycle |
|           |      |  | —             | —                      | 10         | —     | μA                                       |   |

2: \* These parameters are characterized but not tested.

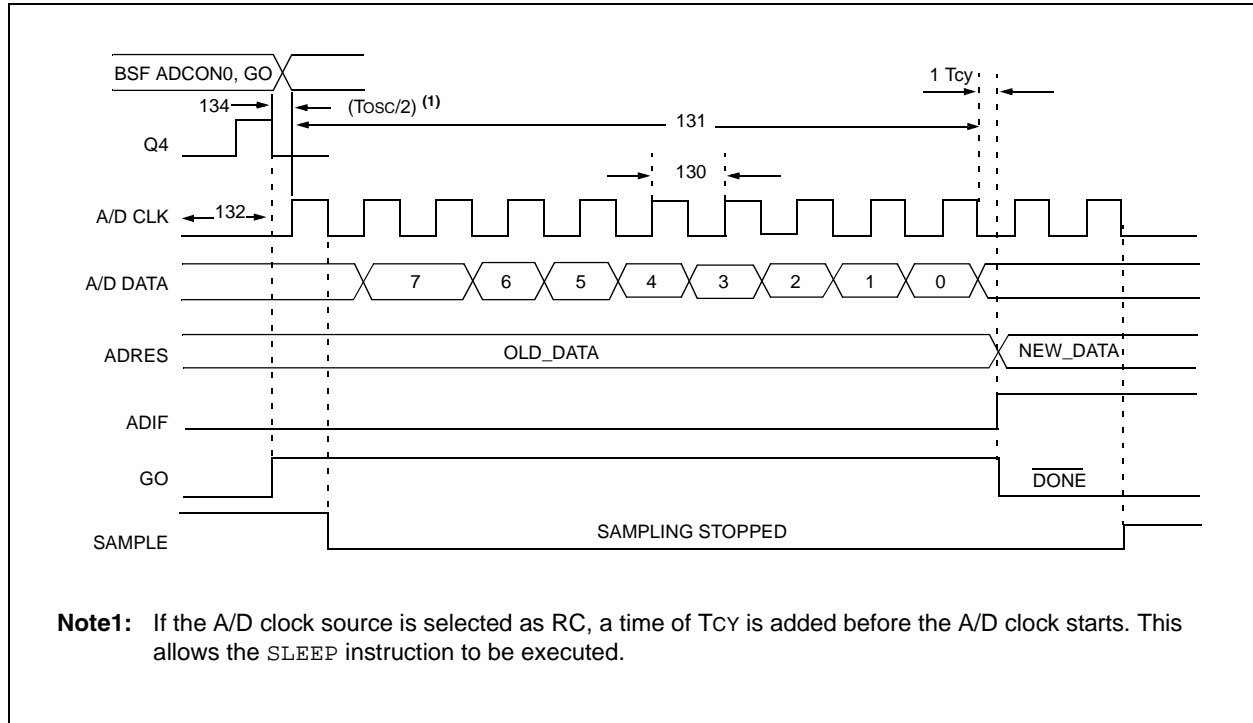
3: † Data in "Typ" column is at 5V, 25°C unless otherwise stated. These parameters are for design guidance only and are not tested.

**Note 1:** When A/D is off, it will not consume any current other than minor leakage current. The power-down current spec includes any such leakage from the A/D module.

2: VREF current is from RA3 pin or VDD pin, whichever is selected as reference input.

3: The A/D conversion result never decreases with an increase in the Input Voltage, and has no missing codes.

**FIGURE 12-10: A/D CONVERSION TIMING**



**TABLE 12-8: A/D CONVERSION REQUIREMENTS**

| Param No. | Sym. | Characteristic  |               | Min.            | Typ†          | Max. | Units         | Conditions  |
|-----------|------|---|---------------|-----------------|---------------|------|---------------|---|
| 130       | TAD  | A/D clock period  | Standard      | 1.6             | —             | —    | $\mu\text{s}$ | TOSC based, $V_{REF} \geq 3.0\text{V}$  |
|           |      |   | Extended (LC) | 2.0             | —             | —    | $\mu\text{s}$ | TOSC based, $V_{REF}$ full range  |
|           |      |   | Standard      | 2.0             | 4.0           | 6.0  | $\mu\text{s}$ | A/D RC Mode   |
|           |      |   | Extended (LC) | 3.0             | 6.0           | 9.0  | $\mu\text{s}$ | A/D RC Mode   |
| 131       | Tcnv | Conversion time (not including S/H time)<br><b>(Note 1)</b> |               | 11              | —             | 11   | TAD           |   |
| 132       | TACQ | Acquisition time  |               | <b>(Note 2)</b> | 20            | —    | $\mu\text{s}$ | The minimum time is the amplifier settling time. This may be used if the “new” input voltage has not changed by more than 1 LSB (i.e., 20.0 mV @ 5.12V) from the last sampled voltage (as stated on CHOLD). |
|           |      |   |               | 5*              | —             | —    | $\mu\text{s}$ |   |
| 134       | Tgo  | Q4 to A/D clock start                                       |               | —               | $T_{OSC}/2$ § | —    | —             | If the A/D clock source is selected as RC, a time of $T_{CY}$ is added before the A/D clock starts. This allows the <code>SLEEP</code> instruction to be executed.  |
| 135       | Tswc | Switching from convert $\overline{AE}$ sample time          |               | 1.5 §           | —             | —    | TAD           |   |

: \* These parameters are characterized but not tested.

: † Data in “Typ” column is at 5V, 25°C unless otherwise stated. These parameters are for design guidance only and are not tested.

: § This specification ensured by design.

**Note 1:** ADRES register may be read on the following  $T_{CY}$  cycle.

**2:** See **Section 9.1 “Configuration Bits”** for min. conditions.

# PIC16C712/716

---

NOTES:



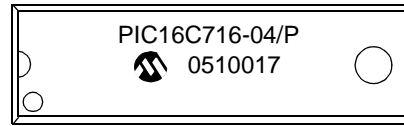
## 13.0 PACKAGING INFORMATION

### 13.1 Package Marking Information

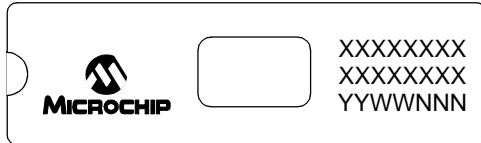
18-Lead PDIP



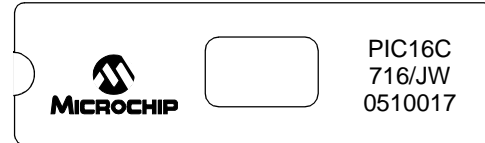
Example



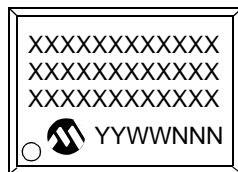
18-Lead CERDIP Windowed



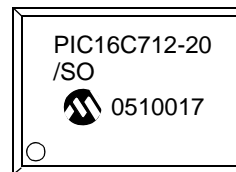
Example



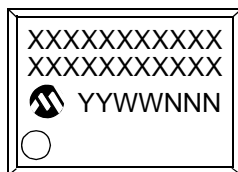
18-Lead SOIC (.300")



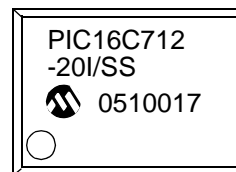
Example



20-Lead SSOP



Example



|                |        |  |
|----------------|--------|--|
| <b>Legend:</b> | XX...X | Customer-specific information  |
|                | Y      | Year code (last digit of calendar year)  |
|                | YY     | Year code (last 2 digits of calendar year)   |
|                | WW     | Week code (week of January 1 is week '01')   |
|                | NNN    | Alphanumeric traceability code   |
|                | (e3)   | Pb-free JEDEC designator for Matte Tin (Sn)  |
|                | *      | This package is Pb-free. The Pb-free JEDEC designator (e3) can be found on the outer packaging for this package. |

**Note:** In the event the full Microchip part number cannot be marked on one line, it will be carried over to the next line, thus limiting the number of available characters for customer-specific information.

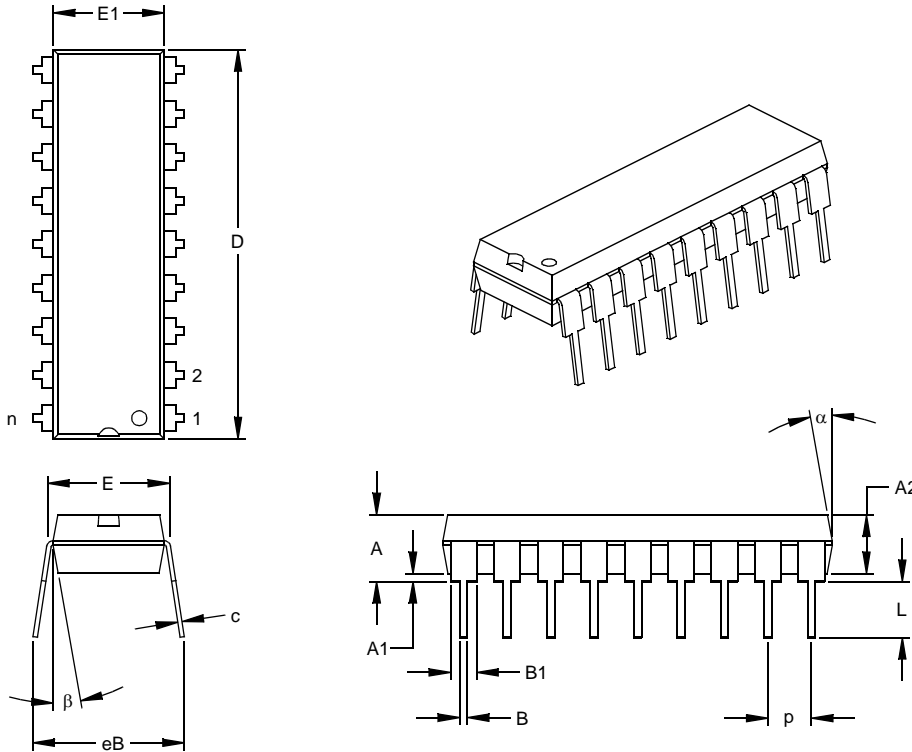
# PIC16C712/716

## 13.2 Package Details

The following sections give the technical details of the packages.

### 18-Lead Plastic Dual In-line (P) – 300 mil (PDIP)

**Note:** For the most current package drawings, please see the Microchip Packaging Specification located at <http://www.microchip.com/packaging>



| Dimension Limits           | Units | INCHES* |      |      | MILLIMETERS |       |       |
|----------------------------|-------|---------|------|------|-------------|-------|-------|
|                            | n     | MIN     | NOM  | MAX  | MIN         | NOM   | MAX   |
| Number of Pins             | n     |         | 18   |      |             | 18    |       |
| Pitch                      | p     |         | .100 |      |             | 2.54  |       |
| Top to Seating Plane       | A     | .140    | .155 | .170 | 3.56        | 3.94  | 4.32  |
| Molded Package Thickness   | A2    | .115    | .130 | .145 | 2.92        | 3.30  | 3.68  |
| Base to Seating Plane      | A1    | .015    |      |      | 0.38        |       |       |
| Shoulder to Shoulder Width | E     | .300    | .313 | .325 | 7.62        | 7.94  | 8.26  |
| Molded Package Width       | E1    | .240    | .250 | .260 | 6.10        | 6.35  | 6.60  |
| Overall Length             | D     | .890    | .898 | .905 | 22.61       | 22.80 | 22.99 |
| Tip to Seating Plane       | L     | .125    | .130 | .135 | 3.18        | 3.30  | 3.43  |
| Lead Thickness             | c     | .008    | .012 | .015 | 0.20        | 0.29  | 0.38  |
| Upper Lead Width           | B1    | .045    | .058 | .070 | 1.14        | 1.46  | 1.78  |
| Lower Lead Width           | B     | .014    | .018 | .022 | 0.36        | 0.46  | 0.56  |
| Overall Row Spacing §      | eB    | .310    | .370 | .430 | 7.87        | 9.40  | 10.92 |
| Mold Draft Angle Top       | α     | 5       | 10   | 15   | 5           | 10    | 15    |
| Mold Draft Angle Bottom    | β     | 5       | 10   | 15   | 5           | 10    | 15    |

\* Controlling Parameter

§ Significant Characteristic

Notes:

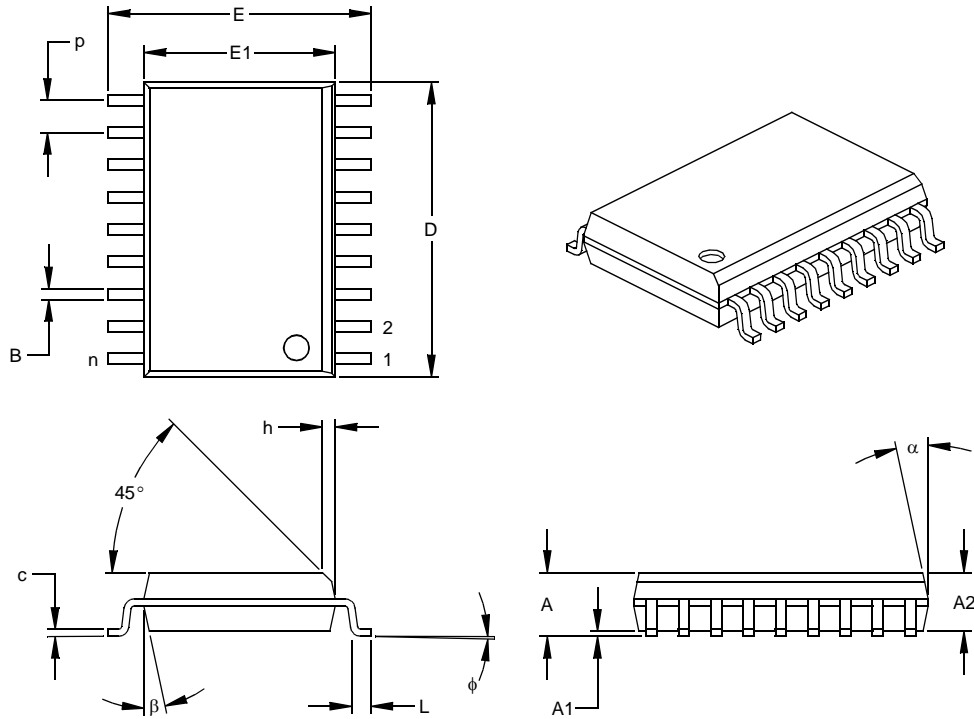
Dimensions D and E1 do not include mold flash or protrusions. Mold flash or protrusions shall not exceed .010" (0.254mm) per side.

JEDEC Equivalent: MS-001

Drawing No. C04-007

## 18-Lead Plastic Small Outline (SO) – Wide, 300 mil (SOIC)

**Note:** For the most current package drawings, please see the Microchip Packaging Specification located at <http://www.microchip.com/packaging>



| Dimension Limits         | Units | INCHES* |      |      | MILLIMETERS |       |       |
|--------------------------|-------|---------|------|------|-------------|-------|-------|
|                          |       | MIN     | NOM  | MAX  | MIN         | NOM   | MAX   |
| Number of Pins           | n     |         | 18   |      |             | 18    |       |
| Pitch                    | P     |         | .050 |      |             | 1.27  |       |
| Overall Height           | A     | .093    | .099 | .104 | 2.36        | 2.50  | 2.64  |
| Molded Package Thickness | A2    | .088    | .091 | .094 | 2.24        | 2.31  | 2.39  |
| Standoff §               | A1    | .004    | .008 | .012 | 0.10        | 0.20  | 0.30  |
| Overall Width            | E     | .394    | .407 | .420 | 10.01       | 10.34 | 10.67 |
| Molded Package Width     | E1    | .291    | .295 | .299 | 7.39        | 7.49  | 7.59  |
| Overall Length           | D     | .446    | .454 | .462 | 11.33       | 11.53 | 11.73 |
| Chamfer Distance         | h     | .010    | .020 | .029 | 0.25        | 0.50  | 0.74  |
| Foot Length              | L     | .016    | .033 | .050 | 0.41        | 0.84  | 1.27  |
| Foot Angle               | φ     | 0       | 4    | 8    | 0           | 4     | 8     |
| Lead Thickness           | c     | .009    | .011 | .012 | 0.23        | 0.27  | 0.30  |
| Lead Width               | B     | .014    | .017 | .020 | 0.36        | 0.42  | 0.51  |
| Mold Draft Angle Top     | α     | 0       | 12   | 15   | 0           | 12    | 15    |
| Mold Draft Angle Bottom  | β     | 0       | 12   | 15   | 0           | 12    | 15    |

\* Controlling Parameter  
 § Significant Characteristic

**Notes:**

Dimensions D and E1 do not include mold flash or protrusions. Mold flash or protrusions shall not exceed .010" (0.254mm) per side.

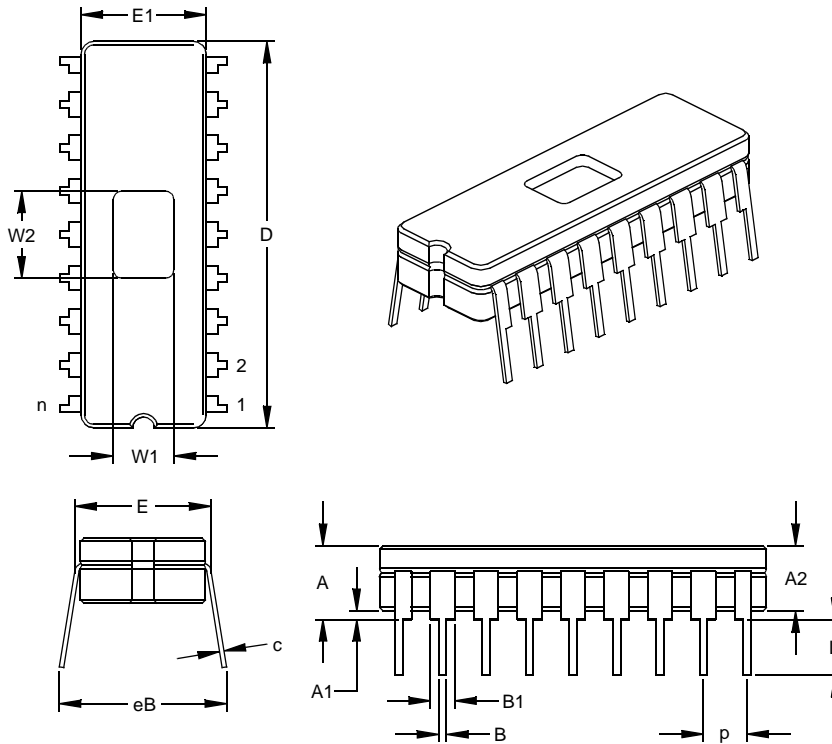
JEDEC Equivalent: MS-013

Drawing No. C04-051

# PIC16C712/716

## 18-Lead Ceramic Dual In-line with Window (JW) – 300 mil (CERDIP)

**Note:** For the most current package drawings, please see the Microchip Packaging Specification located at <http://www.microchip.com/packaging>

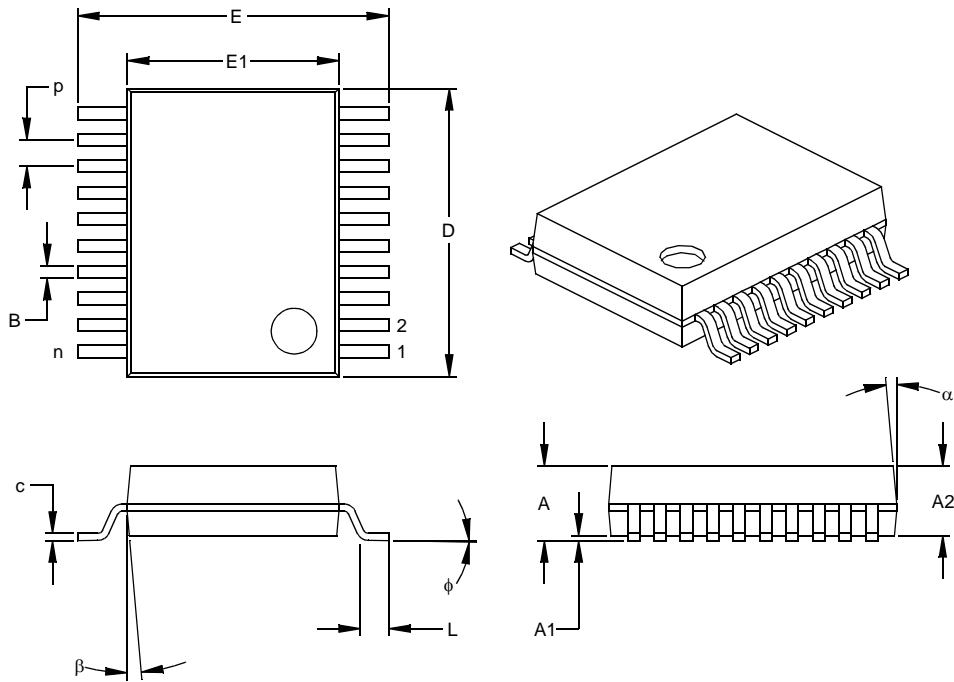


| Units                      |      | INCHES* |      |      | MILLIMETERS |       |       |
|----------------------------|------|---------|------|------|-------------|-------|-------|
| Dimension Limits           |      | MIN     | NOM  | MAX  | MIN         | NOM   | MAX   |
| Number of Pins             | n    |         | 18   |      |             | 18    |       |
| Pitch                      | p    |         | .100 |      |             | 2.54  |       |
| Top to Seating Plane       | A    | .170    | .183 | .195 | 4.32        | 4.64  | 4.95  |
| Ceramic Package Height     | A2   | .155    | .160 | .165 | 3.94        | 4.06  | 4.19  |
| Standoff                   | A1   | .015    | .023 | .030 | 0.38        | 0.57  | 0.76  |
| Shoulder to Shoulder Width | E    | .300    | .313 | .325 | 7.62        | 7.94  | 8.26  |
| Ceramic Pkg. Width         | E1   | .285    | .290 | .295 | 7.24        | 7.37  | 7.49  |
| Overall Length             | D    | .880    | .900 | .920 | 22.35       | 22.86 | 23.37 |
| Tip to Seating Plane       | L    | .125    | .138 | .150 | 3.18        | 3.49  | 3.81  |
| Lead Thickness             | c    | .008    | .010 | .012 | 0.20        | 0.25  | 0.30  |
| Upper Lead Width           | B1   | .050    | .055 | .060 | 1.27        | 1.40  | 1.52  |
| Lower Lead Width           | B    | .016    | .019 | .021 | 0.41        | 0.47  | 0.53  |
| Overall Row Spacing        | § eB | .345    | .385 | .425 | 8.76        | 9.78  | 10.80 |
| Window Width               | W1   | .130    | .140 | .150 | 3.30        | 3.56  | 3.81  |
| Window Length              | W2   | .190    | .200 | .210 | 4.83        | 5.08  | 5.33  |

\* Controlling Parameter  
 § Significant Characteristic  
 JEDEC Equivalent: MO-036  
 Drawing No. C04-010

## 20-Lead Plastic Shrink Small Outline (SS) – 209 mil, 5.30 mm (SSOP)

**Note:** For the most current package drawings, please see the Microchip Packaging Specification located at <http://www.microchip.com/packaging>



| Units                    |    | INCHES* |      |      | MILLIMETERS |        |        |
|--------------------------|----|---------|------|------|-------------|--------|--------|
| Dimension Limits         |    | MIN     | NOM  | MAX  | MIN         | NOM    | MAX    |
| Number of Pins           | n  |         | 20   |      |             | 20     |        |
| Pitch                    | p  |         | .026 |      |             | 0.65   |        |
| Overall Height           | A  | .068    | .073 | .078 | 1.73        | 1.85   | 1.98   |
| Molded Package Thickness | A2 | .064    | .068 | .072 | 1.63        | 1.73   | 1.83   |
| Standoff §               | A1 | .002    | .006 | .010 | 0.05        | 0.15   | 0.25   |
| Overall Width            | E  | .299    | .309 | .322 | 7.59        | 7.85   | 8.18   |
| Molded Package Width     | E1 | .201    | .207 | .212 | 5.11        | 5.25   | 5.38   |
| Overall Length           | D  | .278    | .284 | .289 | 7.06        | 7.20   | 7.34   |
| Foot Length              | L  | .022    | .030 | .037 | 0.56        | 0.75   | 0.94   |
| Lead Thickness           | c  | .004    | .007 | .010 | 0.10        | 0.18   | 0.25   |
| Foot Angle               | φ  | 0       | 4    | 8    | 0.00        | 101.60 | 203.20 |
| Lead Width               | B  | .010    | .013 | .015 | 0.25        | 0.32   | 0.38   |
| Mold Draft Angle Top     | α  | 0       | 5    | 10   | 0           | 5      | 10     |
| Mold Draft Angle Bottom  | β  | 0       | 5    | 10   | 0           | 5      | 10     |

\* Controlling Parameter

§ Significant Characteristic

**Notes:**

Dimensions D and E1 do not include mold flash or protrusions. Mold flash or protrusions shall not exceed .010" (0.254mm) per side.

JEDEC Equivalent: MO-150

Drawing No. C04-072

# PIC16C712/716

---

NOTES:

## APPENDIX A: REVISION HISTORY

| Version | Date | Revision Description   |
|---------|------|--|
| A       | 2/99 | This is a new data sheet. However, the devices described in this data sheet are the upgrades to the devices found in the <i>PIC16C6X Data Sheet</i> , DS30234, and the <i>PIC16C7X Data Sheet</i> , DS30390. |
| B       | 9/05 | Removed Preliminary Status.  |
| C       | 1/13 | Added a note to each package outline drawing.  |

## APPENDIX B: CONVERSION CONSIDERATIONS

There are no previous versions of this device.

## APPENDIX C: MIGRATION FROM BASE-LINE TO MID-RANGE DEVICES

This section discusses how to migrate from a baseline device (i.e., PIC16C5X) to a mid-range device (i.e., PIC16CXXX).

The following are the list of modifications over the PIC16C5X microcontroller family:

1. Instruction word length is increased to 14-bits. This allows larger page sizes both in program memory (2K now as opposed to 512 before) and register file (128 bytes now versus 32 bytes before).
2. A PC high latch register (PCLATH) is added to handle program memory paging. Bits PA2, PA1, PA0 are removed from STATUS register.
3. Data memory paging is redefined slightly. STATUS register is modified.
4. Four new instructions have been added: RETURN, RETFIE, ADDLW, and SUBLW. Two instructions TRIS and OPTION are being phased out although they are kept for compatibility with PIC16C5X.
5. OPTION\_REG and TRIS registers are made addressable.
6. Interrupt capability is added. Interrupt vector is at 0004h.
7. Stack size is increased to 8 deep.
8. Reset vector is changed to 0000h.
9. Reset of all registers is revisited. Five different Reset (and wake-up) types are recognized. Registers are reset differently.
10. Wake-up from Sleep through interrupt is added.

11. Two separate timers, Oscillator Start-up Timer (OST) and Power-up Timer (PWRT) are included for more reliable power-up. These timers are invoked selectively to avoid unnecessary delays on power-up and wake-up.
12. PORTB has weak pull-ups and interrupt on change feature.
13. T0CKI pin is also a port pin (RA4) now.
14. FSR is made a full eight-bit register.
15. "In-circuit serial programming" is made possible. The user can program PIC16CXX devices using only five pins: VDD, VSS, MCLR/VPP, RB6 (clock) and RB7 (data in/out).
16. PCON STATUS register is added with a Power-on Reset Status bit (POR).
17. Code protection scheme is enhanced such that portions of the program memory can be protected, while the remainder is unprotected.
18. Brown-out protection circuitry has been added. Controlled by Configuration Word bit BODEN. Brown-out Reset ensures the device is placed in a Reset condition if VDD dips below a fixed setpoint.

To convert code written for PIC16C5X to PIC16CXXX, the user should take the following steps:

1. Remove any program memory page select operations (PA2, PA1, PA0 bits) for CALL, GOTO.
2. Revisit any computed jump operations (write to PC or add to PC, etc.) to make sure page bits are set properly under the new scheme.
3. Eliminate any data memory page switching. Redefine data variables to reallocate them.
4. Verify all writes to STATUS, OPTION, and FSR registers since these have changed.
5. Change Reset vector to 0000h.

# PIC16C712/716

---

NOTES:



## INDEX

### A

|   |                |  |            |
|---|----------------|--|------------|
| A/D   | 45             | Enable (CCP1IE Bit)                            | 16         |
| A/D Converter Enable (ADIE Bit)                   | 16             | Flag (CCP1IF Bit)                              | 17         |
| A/D Converter Flag (ADIF Bit)                     | 17, 47         | PWM Mode. See PWM                              |            |
| A/D Converter Interrupt, Configuring              | 47             | Timer Resources                                | 39         |
| ADCON0 Register                                   | 11, 45         | Timing Diagram                                 | 85         |
| ADCON1 Register                                   | 12, 45, 46     | CCP1CON Register                               | 39         |
| ADRES Register                                    | 11, 45, 47     | CCP1M3:CCP1M0 Bits                             | 39         |
| Analog Port Pins, Configuring                     | 49             | CCP1X:CCP1Y Bits                               | 39         |
| Block Diagram                                     | 47             | Code Protection                                | 51, 65     |
| Block Diagram, Analog Input Model                 | 48             | CP1:CP0 Bits                                   | 52         |
| Channel Select (CHS2:CHS0 Bits)                   | 45             | Compare (CCP Module)                           | 41         |
| Clock Select (ADCS1:ADCS0 Bits)                   | 45             | Block Diagram                                  | 41         |
| Configuring the Module                            | 47             | CCP Pin Configuration                          | 41         |
| Conversion Clock (Tad)                            | 49             | CCPR1H:CCPR1L Registers                        | 41         |
| Conversion Status (GO/DONE Bit)                   | 45, 47         | Software Interrupt                             | 41         |
| Conversions                                       | 50             | Special Event Trigger                          | 34, 41, 50 |
| Converter Characteristics                         | 86             | Timer1 Mode Selection                          | 41         |
| Module On/Off (ADON Bit)                          | 45             | Configuration Bits                             | 51         |
| Port Configuration Control (PCFG2:PCFG0 Bits)     | 46             | Conversion Considerations                      | 95         |
| Sampling Requirements                             | 48             | Customer Change Notification Service           | 101        |
| Special Event Trigger (CCP)                       | 41, 50         | Customer Notification Service                  | 101        |
| Timing Diagram                                    | 87             | Customer Support                               | 101        |
| Absolute Maximum Ratings                          | 73             | <b>D</b>                                       |            |
| ADCON0 Register                                   | 11, 45         | Data Memory                                    | 10         |
| ADCS1:ADCS0 Bits                                  | 45             | Bank Select (RP1:RP0 Bits)                     | 10, 13     |
| ADON Bit  | 45             | General Purpose Registers                      | 10         |
| CHS2:CHS0 Bits                                    | 45             | Register File Map                              | 10         |
| GO/DONE Bit                                       | 45, 47         | Special Function Registers                     | 11         |
| ADCON1 Register                                   | 12, 45, 46     | DC Characteristics                             | 75, 77     |
| PCFG2:PCFG0 Bits                                  | 46             | Development Support                            | 69         |
| ADRES Register                                    | 11, 45, 47     | Direct Addressing                              | 20         |
| Analog-to-Digital Converter. See A/D Architecture |                | <b>E</b>                                       |            |
| PIC16C712/716 Block Diagram                       | 5              | Electrical Characteristics                     | 73         |
| Assembler   |                | Errata   | 3          |
| MPASM Assembler                                   | 70             | External Power-on Reset Circuit                | 55         |
| <b>B</b>  |                | <b>F</b>                                       |            |
| Banking, Data Memory                              | 10, 13         | Family of Devices                              |            |
| BOR. See Brown-out Reset                          |                | PIC16C7XX                                      | 2          |
| Brown-Out Reset (BOR)                             | 55             | Firmware Instructions                          | 67         |
| Brown-out Reset (BOR)                             | 51, 54, 58, 59 | <b>I</b>                                       |            |
| BOR Enable (BODEN Bit)                            | 52             | I/O Ports                                      | 21         |
| BOR Status (BOR Bit)                              | 18             | ID Locations                                   | 51, 65     |
| Timing Diagram                                    | 83             | In-Circuit Serial Programming™ (ICSP™)         | 51, 65     |
| <b>C</b>  |                | Indirect Addressing                            | 20         |
| C Compilers                                       |                | FSR Register                                   | 10, 11, 20 |
| MPLAB C18   | 70             | INDF Register                                  | 11         |
| MPLAB C30   | 70             | Instruction Format                             | 67         |
| Capture (CCP Module)                              | 40             | Instruction Set                                | 67         |
| Block Diagram                                     | 40             | Summary Table                                  | 68         |
| CCP Pin Configuration                             | 40             | INT Interrupt (RB0/INT). See Interrupt Sources |            |
| CCPR1H:CCPR1L Registers                           | 40             | INTCON Register                                | 11, 15     |
| Changing Between Capture Prescalers               | 40             | GIE Bit  | 15         |
| Software Interrupt                                | 40             | INTE Bit                                       | 15         |
| Timer1 Mode Selection                             | 40             | INTF Bit                                       | 15         |
| Capture/Compare/PWM (CCP)                         | 39             | PEIE Bit                                       | 15         |
| Capture Mode. See Capture                         |                | RBIE Bit                                       | 15         |
| CCP1CON Register                                  | 11, 39         | RBIF Bit                                       | 15, 24     |
| CCPR1H Register                                   | 11, 39         | TOIE Bit                                       | 15         |
| CCPR1L Register                                   | 11, 39         | TOIF Bit                                       | 15         |
| Compare Mode. See Compare                         |                | Internet Address                               | 101        |

# PIC16C712/716

|   |            |   |            |
|---|------------|---|------------|
| Interrupt Sources.....                                | 51, 61     | XT .....  | 53, 58     |
| A/D Conversion Complete .....                         | 47         | Oscillator, Timer1.....                             | 31, 34     |
| Block Diagram.....                                    | 61         | Oscillator, WDT.....                                | 63         |
| Capture Complete (CCP).....                           | 40         | <b>P</b>  |            |
| Compare Complete (CCP).....                           | 41         | Packaging .....                                     | 89         |
| Interrupt-on-Change (RB7:RB4) .....                   | 24         | Details.....  | 90         |
| RB0/INT Pin, External.....                            | 62         | Paging, Program Memory.....                         | 9, 19      |
| TMR0 Overflow .....                                   | 30, 62     | PCON Register.....                                  | 18, 58     |
| TMR1 Overflow .....                                   | 31, 34     | BOR Bit.....  | 18         |
| TMR2 to PR2 Match .....                               | 37         | POR Bit.....  | 18         |
| TMR2 to PR2 Match (PWM) .....                         | 36, 42     | PICSTART Plus Development Programmer.....           | 72         |
| Interrupts, Context Saving During .....               | 62         | PIE1 Register.....                                  | 12, 16     |
| Interrupts, Enable Bits                               |            | ADIE Bit .....                                      | 16         |
| A/D Converter Enable (ADIE Bit) .....                 | 16         | CCP1IE Bit .....                                    | 16         |
| CCP1 Enable (CCP1IE Bit).....                         | 16, 40     | TMR1IE Bit .....                                    | 16         |
| Global Interrupt Enable (GIE Bit) .....               | 15, 61     | TMR2IE Bit .....                                    | 16         |
| Interrupt-on-Change (RB7:RB4) Enable                  |            | Pin Functions                                       |            |
| (RBIE Bit).....                                       | 15, 62     | MCLR/VPP .....                                      | 6          |
| Peripheral Interrupt Enable (PEIE Bit) .....          | 15         | RA0/AN0.....  | 6          |
| RB0/INT Enable (INTE Bit) .....                       | 15         | RA1/AN1.....  | 6          |
| TMR0 Overflow Enable (TOIE Bit).....                  | 15         | RA2/AN2.....  | 6          |
| TMR1 Overflow Enable (TMR1IE Bit) .....               | 16         | RA3/AN3/VREF.....                                   | 6          |
| TMR2 to PR2 Match Enable (TMR2IE Bit) .....           | 16         | RA4/T0CKI .....                                     | 6          |
| Interrupts, Flag Bits                                 |            | RB0/INT.....  | 7          |
| A/D Converter Flag (ADIF Bit) .....                   | 17, 47     | RB1.....  | 7          |
| CCP1 Flag (CCP1IF Bit).....                           | 17, 40, 41 | RB2.....  | 7          |
| Interrupt-on-Change (RB7:RB4) Flag                    |            | RB3.....  | 7          |
| (RBIF Bit).....                                       | 15, 24, 62 | RB4.....  | 7          |
| RB0/INT Flag (INTF Bit).....                          | 15         | RB5.....  | 7          |
| TMR0 Overflow Flag (T0IF Bit) .....                   | 15, 62     | RB6.....  | 7          |
| TMR1 Overflow Flag (TMR1IF Bit) .....                 | 17         | RB7.....  | 7          |
| TMR2 to PR2 Match Flag (TMR2IF Bit).....              | 17         | VDD.....  | 7          |
|   |            | Vss .....   | 7          |
| <b>M</b>  |            | Pinout Descriptions                                 |            |
| Master Clear (MCLR)                                   |            | PIC16C712/716 Pinout Description .....              | 6          |
| MCLR Reset, Normal Operation .....                    | 54, 58, 59 | PIR1 Register .....                                 | 11, 17     |
| MCLR Reset, Sleep .....                               | 59         | ADIF Bit .....                                      | 17         |
| MCLR Reset, Sleep .....                               | 54, 58     | CCP1IF Bit.....                                     | 17         |
| Memory Organization                                   |            | TMR1IF Bit.....                                     | 17         |
| Data Memory .....                                     | 10         | TMR2IF Bit .....                                    | 17         |
| Program Memory .....                                  | 9          | Pointer, FSR .....                                  | 20         |
| Microchip Internet Web Site .....                     | 101        | POR. See Power-on Reset                             |            |
| MPLAB ASM30 Assembler, Linker, Librarian .....        | 70         | PORTA   |            |
| MPLAB ICD 2 In-Circuit Debugger.....                  | 71         | Initialization.....                                 | 21         |
| MPLAB ICE 2000 High-Performance Universal             |            | PORTA Register.....                                 | 11, 21     |
| In-Circuit Emulator .....                             | 71         | RA3:RA0 Port Pins .....                             | 21         |
| MPLAB ICE 4000 High-Performance Universal             |            | RA4/T0CKI Pin .....                                 | 22         |
| In-Circuit Emulator .....                             | 71         | TRISA Register.....                                 | 12, 21     |
| MPLAB Integrated Development Environment Software ... | 69         | PORTB   |            |
| MPLAB PM3 Device Programmer.....                      | 71         | Block Diagram of RB1/T1OSO/T1CKI Pin.....           | 24         |
| MPLINK Object Linker/MPLIB Object Librarian .....     | 70         | Block Diagram of RB2/T10SI Pin.....                 | 25         |
|   |            | Block Diagram of RB3/CCP1 Pin .....                 | 25         |
| <b>O</b>  |            | Initialization.....                                 | 23         |
| OPCODE Field Descriptions .....                       | 67         | PORTB Register.....                                 | 11, 23     |
| OPTION_REG Register .....                             | 12, 14     | Pull-up Enable (RBPU Bit).....                      | 14         |
| INTEDG Bit .....                                      | 14         | RB0/INT Edge Select (INTEDG Bit) .....              | 14         |
| PS2:PS0 Bits .....                                    | 14, 29     | RB0/INT Pin, External.....                          | 62         |
| PSA Bit.....  | 14, 29     | RB3:RB0 Port Pins .....                             | 23         |
| RBPU Bit.....   | 14         | RB7:RB4 Interrupt-on-Change .....                   | 62         |
| T0CS Bit.....   | 14, 29     | RB7:RB4 Interrupt-on-Change Enable (RBIE Bit) ..... | 15, 62     |
| T0SE Bit.....   | 14, 29     | RB7:RB4 Interrupt-on-Change Flag                    |            |
| Oscillator Configuration.....                         | 51, 53     | (RBIF Bit).....                                     | 15, 24, 62 |
| HS .....  | 53, 58     | RB7:RB4 Port Pins .....                             | 26         |
| LP.....   | 53, 58     | TRISB Register.....                                 | 12, 23     |
| RC.....   | 53, 54, 58 |   |            |
| Selection (FOSC1:FOSC0 Bits).....                     | 52         |   |            |

# PIC16C712/716

|  |                    |  |  |
|--|--------------------|--|--|
| PORTC  |                    |  |  |
| TRISC Register.....                              | 12                 |  |  |
| Postscaler, Timer2                               |                    |  |  |
| Select (TOUTPS3:TOUTPS0 Bits) .....              | 36                 |  |  |
| Postscaler, WDT .....                            | 29                 |  |  |
| Assignment (PSA Bit) .....                       | 14, 29             |  |  |
| Block Diagram.....                               | 30                 |  |  |
| Rate Select (PS2:PS0 Bits) .....                 | 14, 29             |  |  |
| Switching Between Timer0 and WDT .....           | 30                 |  |  |
| Power-down Mode. See Sleep                       |                    |  |  |
| Power-on Reset (POR) .....                       | 51, 54, 55, 58, 59 |  |  |
| Oscillator Start-up Timer (OST) .....            | 51, 55             |  |  |
| POR Status (POR Bit).....                        | 18                 |  |  |
| Power Control (PCON) Register.....               | 58                 |  |  |
| Power-down (PD Bit) .....                        | 13, 54             |  |  |
| Power-on Reset Circuit, External.....            | 55                 |  |  |
| Power-up Timer (PWRT) .....                      | 51, 55             |  |  |
| PWRT Enable (PWRTE Bit).....                     | 52                 |  |  |
| Time-out (TO Bit) .....                          | 13, 54             |  |  |
| Time-out Sequence.....                           | 57                 |  |  |
| Time-out Sequence on Power-up .....              | 60                 |  |  |
| Timing Diagram.....                              | 83                 |  |  |
| Prescaler, Capture .....                         | 40                 |  |  |
| Prescaler, Timer0.....                           | 29                 |  |  |
| Assignment (PSA Bit) .....                       | 14, 29             |  |  |
| Block Diagram.....                               | 30                 |  |  |
| Rate Select (PS2:PS0 Bits) .....                 | 14, 29             |  |  |
| Switching Between Timer0 and WDT .....           | 30                 |  |  |
| Prescaler, Timer1.....                           | 32                 |  |  |
| Select (T1CKPS1:T1CKPS0 Bits).....               | 31                 |  |  |
| Prescaler, Timer2.....                           | 42                 |  |  |
| Select (T2CKPS1:T2CKPS0 Bits).....               | 36                 |  |  |
| Product Identification System .....              | 103                |  |  |
| Program Counter                                  |                    |  |  |
| PCL Register.....                                | 11, 19             |  |  |
| PCLATH Register .....                            | 11, 19, 62         |  |  |
| Reset Conditions.....                            | 58                 |  |  |
| Program Memory .....                             | 9                  |  |  |
| Interrupt Vector .....                           | 9                  |  |  |
| Paging.....                                      | 9, 19              |  |  |
| Program Memory Map .....                         | 9                  |  |  |
| Reset Vector .....                               | 9                  |  |  |
| Program Verification .....                       | 65                 |  |  |
| Programming, Device Instructions .....           | 67                 |  |  |
| PWM (CCP Module) .....                           | 42                 |  |  |
| Block Diagram.....                               | 42                 |  |  |
| CCPR1H:CCPR1L Registers.....                     | 42                 |  |  |
| Duty Cycle.....                                  | 42                 |  |  |
| Example Frequencies/Resolutions .....            | 43                 |  |  |
| Output Diagram.....                              | 42                 |  |  |
| Period.....                                      | 42                 |  |  |
| Set-Up for PWM Operation .....                   | 43                 |  |  |
| TMR2 to PR2 Match .....                          | 36, 42             |  |  |
| TMR2 to PR2 Match Enable (TMR2IE Bit) .....      | 16                 |  |  |
| TMR2 to PR2 Match Flag (TMR2IF Bit) .....        | 17                 |  |  |
| <b>Q</b>   |                    |  |  |
| Q-Clock .....                                    | 42                 |  |  |
| <b>R</b>   |                    |  |  |
| RAM. See Data Memory                             |                    |  |  |
| Reader Response .....                            | 104                |  |  |
| Register File.....                               | 10                 |  |  |
| Register File Map.....                           | 10                 |  |  |
| Reset .....                                      | 51, 54             |  |  |
| Block Diagram.....                               | 56                 |  |  |
| Brown-out Reset (BOR). See Brown-out Reset (BOR) |                    |  |  |
| MCLR Reset. See MCLR                             |                    |  |  |
| Power-on Reset (POR). See Power-on Reset (POR)   |                    |  |  |
| Reset Conditions for All Registers.....          | 59                 |  |  |
| Reset Conditions for PCON Register .....         | 58                 |  |  |
| Reset Conditions for Program Counter .....       | 58                 |  |  |
| Reset Conditions for STATUS Register .....       | 58                 |  |  |
| Timing Diagram .....                             | 83                 |  |  |
| WDT Reset. See Watchdog Timer (WDT)              |                    |  |  |
| Revision History .....                           | 95                 |  |  |
| <b>S</b>   |                    |  |  |
| Sleep .....                                      | 64                 |  |  |
| Sleep .....                                      | 51, 54             |  |  |
| Software Simulator (MPLAB SIM) .....             | 70                 |  |  |
| Special Event Trigger. See Compare               |                    |  |  |
| Special Features of the CPU .....                | 51                 |  |  |
| Special Function Registers .....                 | 11                 |  |  |
| Speed, Operating .....                           | 19                 |  |  |
| Stack.....                                       | 1                  |  |  |
| STATUS Register .....                            | 11, 13, 62         |  |  |
| C Bit .....                                      | 13                 |  |  |
| DC Bit .....                                     | 13                 |  |  |
| IRP Bit .....                                    | 13                 |  |  |
| PD Bit .....                                     | 13, 54             |  |  |
| RP1:RP0 Bits.....                                | 13                 |  |  |
| TO Bit .....                                     | 13, 54             |  |  |
| Z Bit .....                                      | 13                 |  |  |
| <b>T</b>   |                    |  |  |
| T1CON Register .....                             | 11, 31             |  |  |
| T1CKPS1:T1CKPS0 Bits.....                        | 31                 |  |  |
| T1OSCEN Bit .....                                | 31                 |  |  |
| T1SYNC Bit .....                                 | 31                 |  |  |
| TMR1CS Bit.....                                  | 31                 |  |  |
| TMR1ON Bit .....                                 | 31                 |  |  |
| T2CON Register .....                             | 11, 36             |  |  |
| T2CKPS1:T2CKPS0 Bits.....                        | 36                 |  |  |
| TMR2ON Bit .....                                 | 36                 |  |  |
| TOUTPS3:TOUTPS0 Bits .....                       | 36                 |  |  |
| Timer0 .....                                     | 29                 |  |  |
| Block Diagram .....                              | 29                 |  |  |
| Clock Source Edge Select (T0SE Bit) .....        | 14, 29             |  |  |
| Clock Source Select (T0CS Bit) .....             | 14, 29             |  |  |
| Overflow Enable (T0IE Bit) .....                 | 15                 |  |  |
| Overflow Flag (T0IF Bit) .....                   | 15, 62             |  |  |
| Overflow Interrupt .....                         | 30, 62             |  |  |
| Prescaler. See Prescaler, Timer0                 |                    |  |  |
| Timing Diagram .....                             | 84                 |  |  |
| TMR0 Register .....                              | 11                 |  |  |
| Timer1 .....                                     | 31                 |  |  |
| Block Diagram .....                              | 32                 |  |  |
| Capacitor Selection .....                        | 34                 |  |  |
| Clock Source Select (TMR1CS Bit).....            | 31                 |  |  |
| External Clock Input Sync (T1SYNC Bit) .....     | 31                 |  |  |
| Module On/Off (TMR1ON Bit) .....                 | 31                 |  |  |
| Oscillator.....                                  | 31, 34             |  |  |
| Oscillator Enable (T1OSCEN Bit) .....            | 31                 |  |  |
| Overflow Enable (TMR1IE Bit) .....               | 16                 |  |  |
| Overflow Flag (TMR1IF Bit).....                  | 17                 |  |  |
| Overflow Interrupt.....                          | 31, 34             |  |  |
| Prescaler. See Prescaler, Timer1                 |                    |  |  |
| Special Event Trigger (CCP) .....                | 34, 41             |  |  |
| T1CON Register .....                             | 11, 31             |  |  |
| Timing Diagram .....                             | 84                 |  |  |
| TMR1H Register.....                              | 11, 31             |  |  |

# PIC16C712/716

---

|   |            |
|---|------------|
| TMR1L Register .....                        | 11, 31     |
| Timer2                                      |            |
| Block Diagram .....                         | 36         |
| Postscaler. <i>See</i> Postscaler, Timer2   |            |
| PR2 Register .....                          | 12, 36, 42 |
| Prescaler. <i>See</i> Prescaler, Timer2     |            |
| T2CON Register .....                        | 11, 36     |
| TMR2 Register .....                         | 11, 36     |
| TMR2 to PR2 Match Enable (TMR2IE Bit) ..... | 16         |
| TMR2 to PR2 Match Flag (TMR2IF Bit) .....   | 17         |
| TMR2 to PR2 Match Interrupt .....           | 36, 37, 42 |
| Timing Diagrams                             |            |
| Time-out Sequence on Power-up .....         | 60         |
| Wake-up from Sleep via Interrupt .....      | 65         |
| Timing Diagrams and Specifications .....    | 81         |
| A/D Conversion .....                        | 87         |
| Brown-out Reset (BOR) .....                 | 83         |
| Capture/Compare/PWM (CCP) .....             | 85         |
| CLKOUT and I/O .....                        | 82         |
| External Clock .....                        | 81         |
| Oscillator Start-up Timer (OST) .....       | 83         |
| Power-up Timer (PWRT) .....                 | 83         |
| Reset .....                                 | 83         |
| Timer0 and Timer1 .....                     | 84         |
| Watchdog Timer (WDT) .....                  | 83         |

## W

|  |            |
|--|------------|
| W Register .....                       | 62         |
| Wake-up from Sleep .....               | 51         |
| Wake-up from Sleep .....               | 64         |
| Interrupts .....                       | 58, 59     |
| MCLR Reset .....                       | 59         |
| Timing Diagram .....                   | 65         |
| WDT Reset .....                        | 59         |
| Watchdog Timer (WDT) .....             | 51, 63     |
| Block Diagram .....                    | 63         |
| Enable (WDTE Bit) .....                | 52, 63     |
| Postscaler. <i>See</i> Postscaler, WDT |            |
| Programming Considerations .....       | 63         |
| RC Oscillator .....                    | 63         |
| Time-out Period .....                  | 63         |
| Timing Diagram .....                   | 83         |
| WDT Reset, Normal Operation .....      | 54, 58, 59 |
| WDT Reset, Sleep .....                 | 54, 58, 59 |
| WWW Address .....                      | 101        |
| WWW, On-Line Support .....             | 3          |

## THE MICROCHIP WEB SITE

Microchip provides online support via our WWW site at [www.microchip.com](http://www.microchip.com). This web site is used as a means to make files and information easily available to customers. Accessible by using your favorite Internet browser, the web site contains the following information:

- **Product Support** – Data sheets and errata, application notes and sample programs, design resources, user's guides and hardware support documents, latest software releases and archived software
- **General Technical Support** – Frequently Asked Questions (FAQ), technical support requests, online discussion groups, Microchip consultant program member listing
- **Business of Microchip** – Product selector and ordering guides, latest Microchip press releases, listing of seminars and events, listings of Microchip sales offices, distributors and factory representatives

## CUSTOMER CHANGE NOTIFICATION SERVICE

Microchip's customer notification service helps keep customers current on Microchip products. Subscribers will receive e-mail notification whenever there are changes, updates, revisions or errata related to a specified product family or development tool of interest.

To register, access the Microchip web site at [www.microchip.com](http://www.microchip.com). Under "Support", click on "Customer Change Notification" and follow the registration instructions.

## CUSTOMER SUPPORT

Users of Microchip products can receive assistance through several channels:

- Distributor or Representative
- Local Sales Office
- Field Application Engineer (FAE)
- Technical Support

Customers should contact their distributor, representative or field application engineer (FAE) for support. Local sales offices are also available to help customers. A listing of sales offices and locations is included in the back of this document.

**Technical support is available through the web site at: <http://microchip.com/support>**

# PIC16C712/716

---

---

## READER RESPONSE

It is our intention to provide you with the best documentation possible to ensure successful use of your Microchip product. If you wish to provide your comments on organization, clarity, subject matter, and ways in which our documentation can better serve you, please FAX your comments to the Technical Publications Manager at (480) 792-4150.

Please list the following information, and use this outline to provide us with your comments about this document.

TO: Technical Publications Manager Total Pages Sent \_\_\_\_\_

RE: Reader Response

From: Name \_\_\_\_\_

Company \_\_\_\_\_

Address \_\_\_\_\_

City / State / ZIP / Country \_\_\_\_\_

Telephone: (\_\_\_\_\_) \_\_\_\_\_ - \_\_\_\_\_ FAX: (\_\_\_\_\_) \_\_\_\_\_ - \_\_\_\_\_

Application (optional):

Would you like a reply?  Y  N

Device: PIC16C712/716

Literature Number: DS41106C

Questions:

1. What are the best features of this document?

\_\_\_\_\_  
\_\_\_\_\_

2. How does this document meet your hardware and software development needs?

\_\_\_\_\_  
\_\_\_\_\_

3. Do you find the organization of this document easy to follow? If not, why?

\_\_\_\_\_  
\_\_\_\_\_

4. What additions to the document do you think would enhance the structure and subject?

\_\_\_\_\_  
\_\_\_\_\_

5. What deletions from the document could be made without affecting the overall usefulness?

\_\_\_\_\_  
\_\_\_\_\_

6. Is there any incorrect or misleading information (what and where)?

\_\_\_\_\_  
\_\_\_\_\_

7. How would you improve this document?

\_\_\_\_\_  
\_\_\_\_\_

## PIC16C712/716 PRODUCT IDENTIFICATION SYSTEM

To order or obtain information, e.g., on pricing or delivery, refer to the factory or the listed sales office.

| PART NO.   | -XX  | X  | /XX   | XXX   |
|--|--|--|---|---|
| Device   | Frequency Range                                      | Temperature Range  | Package   | Pattern   |
| <b>Device:</b><br>PIC16C712 <sup>(1)</sup> , PIC16C712T <sup>(2)</sup> ; VDD range 4.0V to 5.5V<br>PIC16LC712 <sup>(1)</sup> , PIC16LC712T <sup>(2)</sup> ; VDD range 2.5V to 5.5V<br>PIC16C716 <sup>(1)</sup> , PIC16C716T <sup>(2)</sup> ; VDD range 4.0V to 5.5V<br>PIC16LC716 <sup>(1)</sup> , PIC16LC716T <sup>(2)</sup> ; VDD range 2.5V to 5.5V | <b>Frequency Range:</b><br>04 = 4 MHz<br>20 = 20 MHz | <b>Temperature Range:</b><br>blank = 0°C to 70°C (Commercial)<br>I = -40°C to +85°C (Industrial)<br>E = -40°C to +125°C (Extended) | <b>Package:</b><br>JW = Windowed CERDIP<br>SO = SOIC<br>P = PDIP<br>SS = SSOP | <b>Pattern:</b><br>QTP, SQTP, Code or Special Requirements<br>(blank otherwise) |
| <b>Examples:</b><br>a) PIC16C716 – 04/P 301 = Commercial temp., PDIP package, 4 MHz, normal VDD limits, QTP pattern #301.<br>b) PIC16LC712 – 04/SO = Industrial temp., SOIC package, 200 kHz, Extended VDD limits.<br>c) PIC16C712 – 20I/P = Industrial temp., PDIP package, 20MHz, normal VDD limits.   |  |  |   |   |
| <b>Note 1:</b> C = CMOS<br>LC = Low Power CMOS<br><b>2:</b> T = in tape and reel – SOIC, SSOP packages only.<br><b>3:</b> LC extended temperature device is not offered.<br><b>4:</b> LC is not offered at 20 MHz  |  |  |   |   |

\* JW Devices are UV erasable and can be programmed to any device configuration. JW Devices meet the electrical requirement of each oscillator type (including LC devices).

### Sales and Support

#### Data Sheets

Products supported by a preliminary Data Sheet may have an errata sheet describing minor operational differences and recommended workarounds. To determine if an errata sheet exists for a particular device, please contact one of the following:

1. Your local Microchip sales office
2. The Microchip Worldwide Site ([www.microchip.com](http://www.microchip.com))

NOTES:



---

**Note the following details of the code protection feature on Microchip devices:**

- Microchip products meet the specification contained in their particular Microchip Data Sheet.
- Microchip believes that its family of products is one of the most secure families of its kind on the market today, when used in the intended manner and under normal conditions.
- There are dishonest and possibly illegal methods used to breach the code protection feature. All of these methods, to our knowledge, require using the Microchip products in a manner outside the operating specifications contained in Microchip's Data Sheets. Most likely, the person doing so is engaged in theft of intellectual property.
- Microchip is willing to work with the customer who is concerned about the integrity of their code.
- Neither Microchip nor any other semiconductor manufacturer can guarantee the security of their code. Code protection does not mean that we are guaranteeing the product as “unbreakable.”

Code protection is constantly evolving. We at Microchip are committed to continuously improving the code protection features of our products. Attempts to break Microchip's code protection feature may be a violation of the Digital Millennium Copyright Act. If such acts allow unauthorized access to your software or other copyrighted work, you may have a right to sue for relief under that Act.

---

Information contained in this publication regarding device applications and the like is provided only for your convenience and may be superseded by updates. It is your responsibility to ensure that your application meets with your specifications. MICROCHIP MAKES NO REPRESENTATIONS OR WARRANTIES OF ANY KIND WHETHER EXPRESS OR IMPLIED, WRITTEN OR ORAL, STATUTORY OR OTHERWISE, RELATED TO THE INFORMATION, INCLUDING BUT NOT LIMITED TO ITS CONDITION, QUALITY, PERFORMANCE, MERCHANTABILITY OR FITNESS FOR PURPOSE. Microchip disclaims all liability arising from this information and its use. Use of Microchip devices in life support and/or safety applications is entirely at the buyer's risk, and the buyer agrees to defend, indemnify and hold harmless Microchip from any and all damages, claims, suits, or expenses resulting from such use. No licenses are conveyed, implicitly or otherwise, under any Microchip intellectual property rights.

#### **Trademarks**

The Microchip name and logo, the Microchip logo, dsPIC, FlashFlex, KEELOQ, KEELOQ logo, MPLAB, PIC, PICmicro, PICSTART, PIC<sup>32</sup> logo, rPIC, SST, SST Logo, SuperFlash and UNI/O are registered trademarks of Microchip Technology Incorporated in the U.S.A. and other countries.

FilterLab, Hampshire, HI-TECH C, Linear Active Thermistor, MTP, SEEVAL and The Embedded Control Solutions Company are registered trademarks of Microchip Technology Incorporated in the U.S.A.

Silicon Storage Technology is a registered trademark of Microchip Technology Inc. in other countries.

Analog-for-the-Digital Age, Application Maestro, BodyCom, chipKIT, chipKIT logo, CodeGuard, dsPICDEM, dsPICDEM.net, dsPICworks, dsSPEAK, ECAN, ECONOMONITOR, FanSense, HI-TIDE, In-Circuit Serial Programming, ICSP, Mindi, MiWi, MPASM, MPF, MPLAB Certified logo, MPLIB, MPLINK, mTouch, Omniclient Code Generation, PICC, PICC-18, PICDEM, PICDEM.net, PICkit, PICtail, REAL ICE, rLAB, Select Mode, SQI, Serial Quad I/O, Total Endurance, TSHARC, UniWinDriver, WiperLock, ZENA and Z-Scale are trademarks of Microchip Technology Incorporated in the U.S.A. and other countries.

SQTP is a service mark of Microchip Technology Incorporated in the U.S.A.

GestIC and ULPP are registered trademarks of Microchip Technology Germany II GmbH & Co. & KG, a subsidiary of Microchip Technology Inc., in other countries.

All other trademarks mentioned herein are property of their respective companies.

© 1999-2013, Microchip Technology Incorporated, Printed in the U.S.A., All Rights Reserved.

 Printed on recycled paper.

ISBN: 9781620769751

*Microchip received ISO/TS-16949:2009 certification for its worldwide headquarters, design and wafer fabrication facilities in Chandler and Tempe, Arizona; Gresham, Oregon and design centers in California and India. The Company's quality system processes and procedures are for its PIC<sup>®</sup> MCUs and dsPIC<sup>®</sup> DSCs, KEELOQ<sup>®</sup> code hopping devices, Serial EEPROMs, microperipherals, nonvolatile memory and analog products. In addition, Microchip's quality system for the design and manufacture of development systems is ISO 9001:2000 certified.*

---

**QUALITY MANAGEMENT SYSTEM**  
**CERTIFIED BY DNV**  
**== ISO/TS 16949 ==**



# MICROCHIP

## Worldwide Sales and Service

### AMERICAS

**Corporate Office**  
2355 West Chandler Blvd.  
Chandler, AZ 85224-6199  
Tel: 480-792-7200  
Fax: 480-792-7277  
Technical Support:  
<http://www.microchip.com/support>  
Web Address:  
[www.microchip.com](http://www.microchip.com)

**Atlanta**  
Duluth, GA  
Tel: 678-957-9614  
Fax: 678-957-1455

**Boston**  
Westborough, MA  
Tel: 774-760-0087  
Fax: 774-760-0088

**Chicago**  
Itasca, IL  
Tel: 630-285-0071  
Fax: 630-285-0075

**Cleveland**  
Independence, OH  
Tel: 216-447-0464  
Fax: 216-447-0643

**Dallas**  
Addison, TX  
Tel: 972-818-7423  
Fax: 972-818-2924

**Detroit**  
Farmington Hills, MI  
Tel: 248-538-2250  
Fax: 248-538-2260

**Indianapolis**  
Noblesville, IN  
Tel: 317-773-8323  
Fax: 317-773-5453

**Los Angeles**  
Mission Viejo, CA  
Tel: 949-462-9523  
Fax: 949-462-9608

**Santa Clara**  
Santa Clara, CA  
Tel: 408-961-6444  
Fax: 408-961-6445

**Toronto**  
Mississauga, Ontario,  
Canada  
Tel: 905-673-0699  
Fax: 905-673-6509

### ASIA/PACIFIC

**Asia Pacific Office**  
Suites 3707-14, 37th Floor  
Tower 6, The Gateway  
Harbour City, Kowloon  
Hong Kong  
Tel: 852-2401-1200  
Fax: 852-2401-3431

**Australia - Sydney**  
Tel: 61-2-9868-6733  
Fax: 61-2-9868-6755

**China - Beijing**  
Tel: 86-10-8569-7000  
Fax: 86-10-8528-2104

**China - Chengdu**  
Tel: 86-28-8665-5511  
Fax: 86-28-8665-7889

**China - Chongqing**  
Tel: 86-23-8980-9588  
Fax: 86-23-8980-9500

**China - Hangzhou**  
Tel: 86-571-2819-3187  
Fax: 86-571-2819-3189

**China - Hong Kong SAR**  
Tel: 852-2943-5100  
Fax: 852-2401-3431

**China - Nanjing**  
Tel: 86-25-8473-2460  
Fax: 86-25-8473-2470

**China - Qingdao**  
Tel: 86-532-8502-7355  
Fax: 86-532-8502-7205

**China - Shanghai**  
Tel: 86-21-5407-5533  
Fax: 86-21-5407-5066

**China - Shenyang**  
Tel: 86-24-2334-2829  
Fax: 86-24-2334-2393

**China - Shenzhen**  
Tel: 86-755-8864-2200  
Fax: 86-755-8203-1760

**China - Wuhan**  
Tel: 86-27-5980-5300  
Fax: 86-27-5980-5118

**China - Xian**  
Tel: 86-29-8833-7252  
Fax: 86-29-8833-7256

**China - Xiamen**  
Tel: 86-592-2388138  
Fax: 86-592-2388130

**China - Zhuhai**  
Tel: 86-756-3210040  
Fax: 86-756-3210049

### ASIA/PACIFIC

**India - Bangalore**  
Tel: 91-80-3090-4444  
Fax: 91-80-3090-4123

**India - New Delhi**  
Tel: 91-11-4160-8631  
Fax: 91-11-4160-8632

**India - Pune**  
Tel: 91-20-2566-1512  
Fax: 91-20-2566-1513

**Japan - Osaka**  
Tel: 81-6-6152-7160  
Fax: 81-6-6152-9310

**Japan - Tokyo**  
Tel: 81-3-6880-3770  
Fax: 81-3-6880-3771

**Korea - Daegu**  
Tel: 82-53-744-4301  
Fax: 82-53-744-4302

**Korea - Seoul**  
Tel: 82-2-554-7200  
Fax: 82-2-558-5932 or  
82-2-558-5934

**Malaysia - Kuala Lumpur**  
Tel: 60-3-6201-9857  
Fax: 60-3-6201-9859

**Malaysia - Penang**  
Tel: 60-4-227-8870  
Fax: 60-4-227-4068

**Philippines - Manila**  
Tel: 63-2-634-9065  
Fax: 63-2-634-9069

**Singapore**  
Tel: 65-6334-8870  
Fax: 65-6334-8850

**Taiwan - Hsin Chu**  
Tel: 886-3-5778-366  
Fax: 886-3-5770-955

**Taiwan - Kaohsiung**  
Tel: 886-7-213-7828  
Fax: 886-7-330-9305

**Taiwan - Taipei**  
Tel: 886-2-2508-8600  
Fax: 886-2-2508-0102

**Thailand - Bangkok**  
Tel: 66-2-694-1351  
Fax: 66-2-694-1350

### EUROPE

**Austria - Wels**  
Tel: 43-7242-2244-39  
Fax: 43-7242-2244-393

**Denmark - Copenhagen**  
Tel: 45-4450-2828  
Fax: 45-4485-2829

**France - Paris**  
Tel: 33-1-69-53-63-20  
Fax: 33-1-69-30-90-79

**Germany - Munich**  
Tel: 49-89-627-144-0  
Fax: 49-89-627-144-44

**Italy - Milan**  
Tel: 39-0331-742611  
Fax: 39-0331-466781

**Netherlands - Drunen**  
Tel: 31-416-690399  
Fax: 31-416-690340

**Spain - Madrid**  
Tel: 34-91-708-08-90  
Fax: 34-91-708-08-91

**UK - Wokingham**  
Tel: 44-118-921-5869  
Fax: 44-118-921-5820

11/29/12

# Mouser Electronics

Authorized Distributor

Click to View Pricing, Inventory, Delivery & Lifecycle Information:

## Microchip:

[PIC16C716T-04I/SS](#) [PIC16C716T-04I/SO](#) [PIC16C716/JW](#) [PIC16LC716T-04/SS](#) [PIC16LC716T-04/SO](#)  
[PIC16LC712T-04/SS](#) [PIC16LC712T-04/SO](#) [PIC16C712-20I/SS](#) [PIC16C712-20I/SO](#) [PIC16LC716-04/P](#)  
[PIC16LC716T-04I/SO](#) [PIC16LC716T-04I/SS](#) [PIC16LC712T-04I/SS](#) [PIC16LC712T-04I/SO](#) [PIC16LC716-04I/SS](#)  
[PIC16LC712-04I/SO](#) [PIC16LC716-04I/SO](#) [PIC16LC712-04I/SS](#) [PIC16C716-20I/SO](#) [PIC16C716-20I/SS](#) [PIC16C716T-20/SS](#) [PIC16C716T-20/SO](#) [PIC16C712T-20/SO](#) [PIC16C712T-20/SS](#) [PIC16C712-04I/SO](#) [PIC16C716-04E/P](#)  
[PIC16C712-04E/P](#) [PIC16C712-04/SO](#) [PIC16LC712-04/SS](#) [PIC16C712/JW](#) [PIC16LC716-04/SS](#) [PIC16C716-04/SO](#)  
[PIC16LC712-04/SO](#) [PIC16LC716-04/SO](#) [PIC16C712-04/SS](#) [PIC16C716-04/SS](#) [PIC16C716T-04/SS](#) [PIC16C712T-04/SS](#) [PIC16C712T-04/SO](#) [PIC16C716T-04/SO](#) [PIC16C712T-04I/SS](#) [PIC16C712T-04I/SO](#) [PIC16C716-20/P](#)  
[PIC16C716T-20I/SO](#) [PIC16C716T-20I/SS](#) [PIC16C716-20I/P](#) [PIC16C712-20I/P](#) [PIC16C712-20E/P](#) [PIC16C712T-04E/SS](#) [PIC16C716-20E/P](#) [PIC16C712T-04E/SO](#) [PIC16C712T-20E/SS](#) [PIC16C716-04/P](#) [PIC16C712T-20E/SO](#)  
[PIC16C716T-20E/SO](#) [PIC16C716-04I/SS](#) [PIC16C712-04I/SS](#) [PIC16C716-04I/SO](#) [PIC16C716T-20E/SS](#)  
[PIC16LC712-04/P](#) [PIC16LC716-04I/P](#) [PIC16LC712-04I/P](#) [PIC16C716-20E/SO](#) [PIC16C712-20E/SS](#) [PIC16C716-20E/SS](#) [PIC16C712-20E/SO](#) [PIC16C712-04/P](#) [PIC16C712-20/P](#) [PIC16C712-04I/P](#) [PIC16C716-04I/P](#) [PIC16C716-04E/SO](#) [PIC16C716-04E/SS](#) [PIC16C716T-04E/SS](#) [PIC16C712-04E/SO](#) [PIC16C712-04E/SS](#) [PIC16C716T-04E/SO](#)  
[PIC16C712T-20I/SS](#) [PIC16C712T-20I/SO](#) [PIC16C716-20/SS](#) [PIC16C712-20/SS](#) [PIC16C716-20/SO](#) [PIC16C712-20/SO](#)



Компания «ЭлектроПласт» предлагает заключение долгосрочных отношений при поставках импортных электронных компонентов на взаимовыгодных условиях!

Наши преимущества:

- Оперативные поставки широкого спектра электронных компонентов отечественного и импортного производства напрямую от производителей и с крупнейших мировых складов;
- Поставка более 17-ти миллионов наименований электронных компонентов;
- Поставка сложных, дефицитных, либо снятых с производства позиций;
- Оперативные сроки поставки под заказ (от 5 рабочих дней);
- Экспресс доставка в любую точку России;
- Техническая поддержка проекта, помощь в подборе аналогов, поставка прототипов;
- Система менеджмента качества сертифицирована по Международному стандарту ISO 9001;
- Лицензия ФСБ на осуществление работ с использованием сведений, составляющих государственную тайну;
- Поставка специализированных компонентов (Xilinx, Altera, Analog Devices, Intersil, Interpoint, Microsemi, Aeroflex, Peregrine, Syfer, Eurofarad, Texas Instrument, Miteq, Cobham, E2V, MA-COM, Hittite, Mini-Circuits, General Dynamics и др.);

Помимо этого, одним из направлений компании «ЭлектроПласт» является направление «Источники питания». Мы предлагаем Вам помощь Конструкторского отдела:

- Подбор оптимального решения, техническое обоснование при выборе компонента;
- Подбор аналогов;
- Консультации по применению компонента;
- Поставка образцов и прототипов;
- Техническая поддержка проекта;
- Защита от снятия компонента с производства.



#### Как с нами связаться

**Телефон:** 8 (812) 309 58 32 (многоканальный)

**Факс:** 8 (812) 320-02-42

**Электронная почта:** [org@eplast1.ru](mailto:org@eplast1.ru)

**Адрес:** 198099, г. Санкт-Петербург, ул. Калинина, дом 2, корпус 4, литера А.