

PLEASE CHECK WWW.MOLEX.COM FOR LATEST PART INFORMATION

Part Number: [0536270674](#)
Status: **Active**
Overview: [slimstack_0635mm_025_pitch](#)
Description: 0.635mm (.025") Pitch SlimStack™ Header, Surface Mount, Dual Row, Vertical Stacking, 10.00 and 16.00mm (.394 and .630") Stacking Heights, Lead-free, 60 Circuits, with Embossed Tape with Cover Packaging

Documents:

[3D Model](#) [Product Specification PS-52760-015 \(PDF\)](#)
[Drawing \(PDF\)](#) [RoHS Certificate of Compliance \(PDF\)](#)

General

Product Family	PCB Headers
Series	53627
Application	Board-to-Board
Comments	Stacking-Type
MolexKits	Yes
Overview	slimstack_0635mm_025_pitch
Product Name	SlimStack™

Physical

Breakaway	No
Circuits (Loaded)	60
Color - Resin	Brown
Durability (mating cycles max)	50
First Mate / Last Break	No
Glow-Wire Compliant	No
Guide to Mating Part	No
Keying to Mating Part	None
Lock to Mating Part	Yes
Mated Height (in)	0.394 In, 0.630 In
Mated Height (mm)	10.00 mm, 16.00 mm
Material - Metal	Copper Alloy, Phosphor Bronze, Stainless Steel
Material - Plating Mating	Gold
Material - Plating Termination	Tin
Number of Rows	2
Orientation	Vertical
PCB Locator	Yes
PCB Retention	Yes
Packaging Type	Embossed Tape on Reel
Pitch - Mating Interface (in)	0.025 In
Pitch - Mating Interface (mm)	0.64 mm
Polarized to PCB	Yes
Robotic Placement	Metal Cap
Shrouded	Fully
Temperature Range - Operating	-55°C to +85°C
Termination Interface: Style	Surface Mount

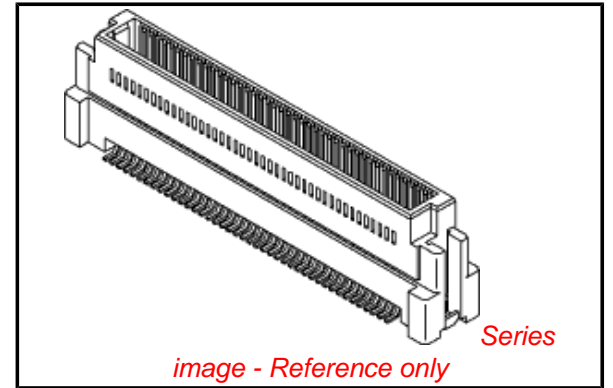
Electrical

Current - Maximum per Contact	0.5A
Voltage - Maximum	100V

Material Info

Reference - Drawing Numbers

Packaging Specification	SPK-53627-001
-------------------------	---------------



EU RoHS

ELV and RoHS Compliant
REACH SVHC Contains SVHC: No
Halogen-Free Status

China RoHS



Not Reviewed

Need more information on product environmental compliance?

Email productcompliance@molex.com
 For a multiple part number RoHS Certificate of Compliance, [click here](#)

Please visit the [Contact Us](#) section for any non-product compliance questions.

Search Parts in this Series

[53627Series](#)

Mates With

SlimStack™ Receptacle [52760](#) , [52837](#) , [52885](#) , [52901](#)

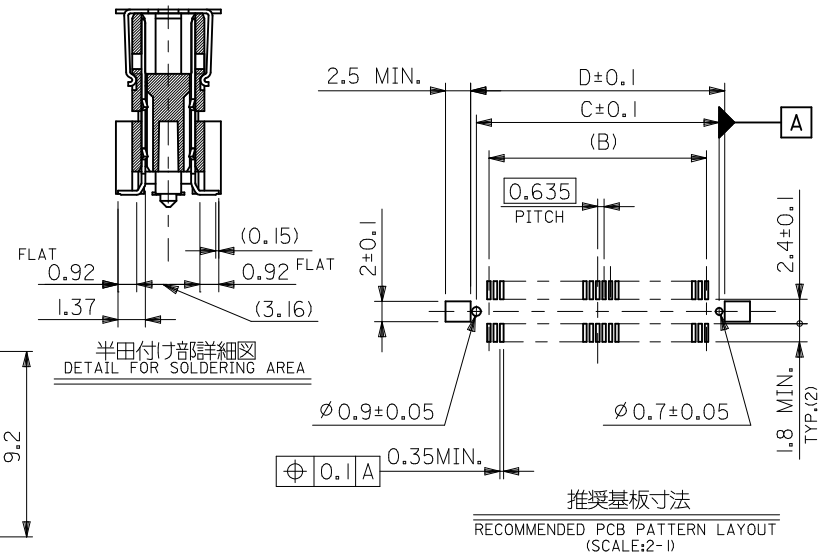
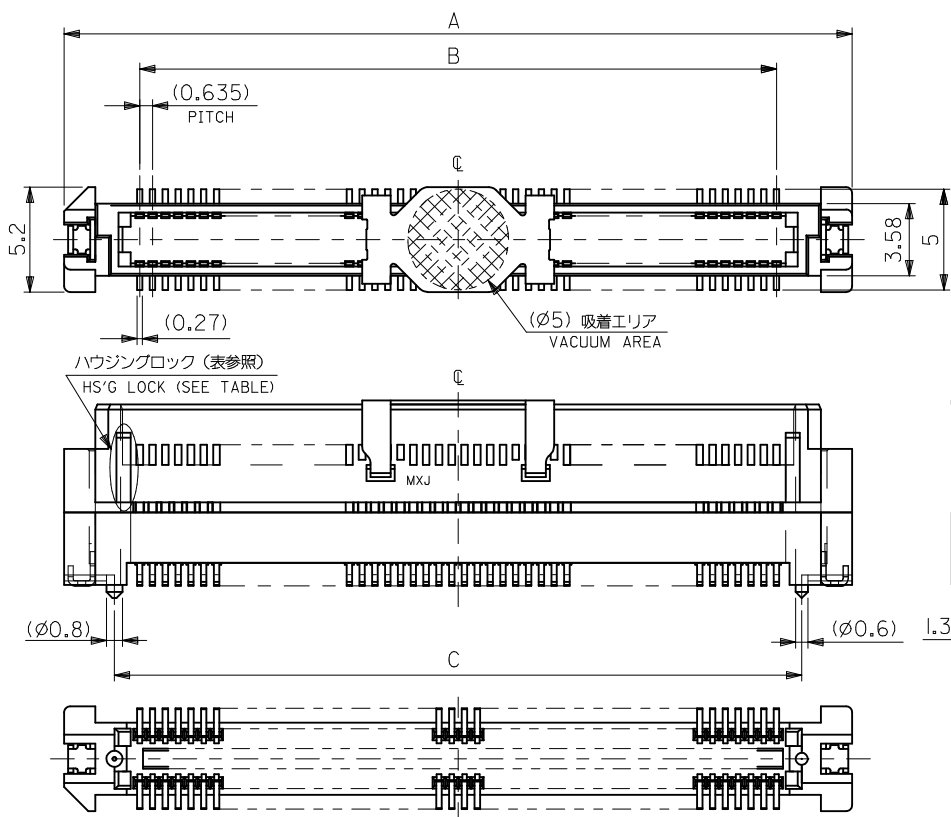
Product Specification

PS-52760-015, RPS-52760-017, RPS-52760-018,
RPS-52760-020, RPS-52760-021, RPS-52760-025,
RPS-52760-028, RPS-52760-029, RPS-52885-007,
RPS-52885-008, RPS-52885-009
SD-53627-001, SD-53627-002

Sales Drawing

This document was generated on 06/07/2010

PLEASE CHECK WWW.MOLEX.COM FOR LATEST PART INFORMATION



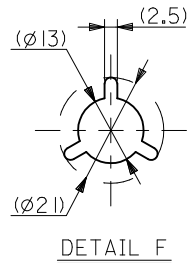
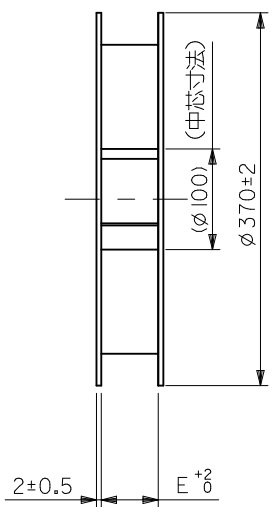
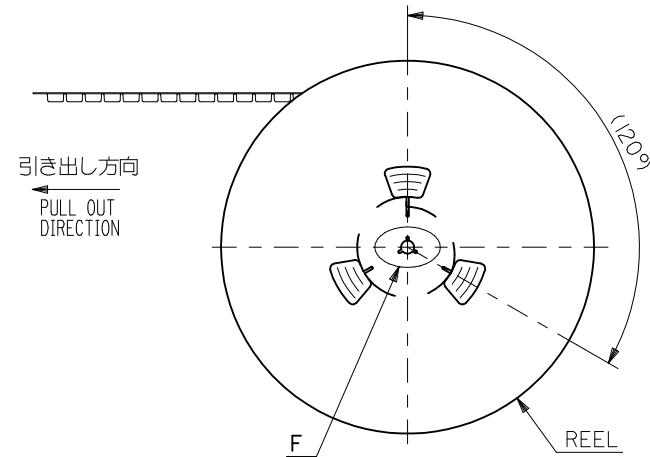
NOTES

1. 材質 MATERIAL
 ハウジング: ガラス入りPPS、茶色、UL94V-0
 HOUSING: POLYPHENYLENE SULFIDE, GLASS FILLED, BROWN, UL94V-0
 ターミナル: 銅合金 (t=0.2)、ニッケルメッキ下地1. 5マイクロメートル以上
 TERMINAL: COPPER ALLOY, UNDER-PLATING: NICKEL 1.5 MICROMETER MIN.
 接点部 : 金メッキ 0.25マイクロメートル以上
 CONTACT AREA: GOLD 0.25 MICROMETER MIN.
 半田付け部 : 錫メッキ1. 0マイクロメートル以上
 SOLDER TAIL AREA: TIN 1.0 MICROMETER MIN.
 ネール : リン青銅(t=0.2)、ニッケルメッキ下地1. 0マイクロメートル以上
 NAIL: PHOSPHOR BRONZE, UNDER-PLATING: NICKEL 1.0 MICROMETER MIN.
 錫メッキ1. 0マイクロメートル以上
 TIN 1.0 MICROMETER MIN.
 吸着カバー: ステンレス (t=0.2)
 VACUUM COVER: STAINLESS STEEL

2. テールのバラツキ寸法
 TAIL COPLANARITY
 テール平坦度は、0.1ミリ以下とする。
 TAILS COPLANARITY TO BE 0.1 MILLIMETER MAX.

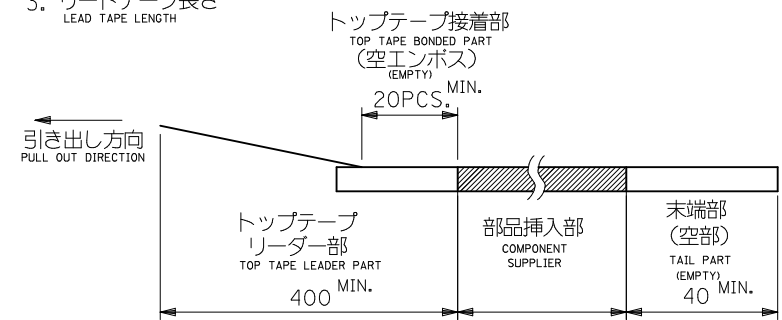
無し NO	66.47	65.37	62.865	70.37	53627-2074	—	200
	53.77	52.67	50.165	57.67	—	53627-1675	160
	47.42	46.32	43.815	51.32	53627-1474	-1475	140
	41.07	39.97	37.465	44.97	-1274	-1275	120
	34.72	33.62	31.115	38.62	-1074	-1075	100
有り YES	31.55	30.45	27.94	35.45	-0974	-0975	90
	28.37	27.27	24.765	32.27	-0874	-0875	80
	25.2	24.1	21.59	29.1	-0774	-0775	70
	22.02	20.92	18.415	25.92	-0674	-0675	60
	18.85	17.75	15.24	22.75	-0574	-0575	50
15.67	14.57	12.065	19.57	-0474	-0475	40	
12.5	11.4	8.89	16.4	-0374	-0375	30	
9.32	8.22	5.715	13.22	53627-0274	53627-0275	20	
ハウジングロック HS'G LOCK	D	C	B	A	エンボス梱包 EMBOSSED PACKAGE	スティック梱包 STICK PACKAGE	極数 CIRCUITS
CONNECTOR SERIES No.						53627-**72	

REVISED EC NO: J2010-2458 DRWN:TKAHO 2010/06/04 CHKD:M.SASAO 2010/06/10 APPR:MSASAO 2010/06/11	GENERAL TOLERANCES (UNLESS SPECIFIED)		DIMENSION STYLE MM ONLY		SCALE ---		DESIGN UNITS METRIC		THIRD ANGLE PROJECTION	
	10 UNDER	±0.2	DRAWN BY	DATE	TITLE					
	10 OVER 30 UNDER	±0.25	Y. SAKIYAMA	2004/03/05	0.635 PITCH B/B CONN. PLUG HSG COVER ASSY -LEAD FREE-					
	30 OVER	±0.3	M. SASAO	2004/03/05						
ANGULAR ±3 °		APPROVED BY		DATE		MOLEX		MOLEX INCORPORATED		
DRAFT WHERE APPLICABLE MUST REMAIN WITHIN DIMENSIONS		M. SASAO		2004/03/05		DOCUMENT NO.		SD-53627-001		
SIZE A3		THIS DRAWING CONTAINS INFORMATION THAT IS PROPRIETARY TO MOLEX INCORPORATED AND SHOULD NOT BE USED WITHOUT WRITTEN PERMISSION								

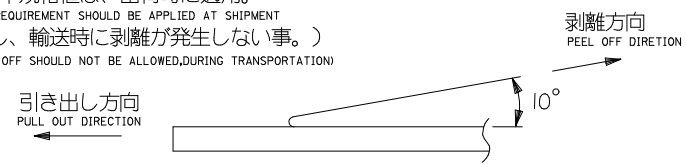


NOTES

1. 製品番号 53627-***72 の詳細寸法については SD-53627-001 を参照下さい。
IN THE PACKAGE , PART NO.53627-***72 DETAILED DIMENSIONS , SEE SD-53627-001.
2. 梱包数量 : 700個/リール
NUMBER OF CONNECTORS : 700 PCS/REEL
3. リードテープ長さ
LEAD TAPE LENGTH

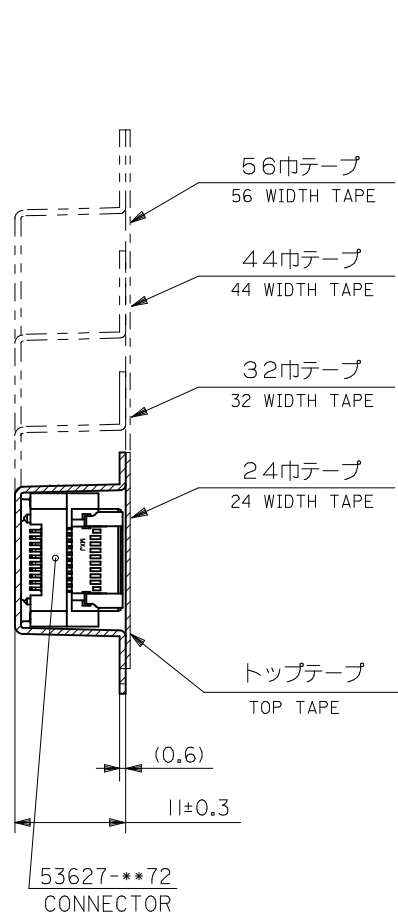


4. トップテープの剥離強度 (剥離方向は下図参照)
PEELING OFF FORCE OF TOP TAPE (PEELING DIRECTION AS SHOWN IN FOLLOWING FIG.)
0.1 ~ 1.3N {10 ~ 130gf}
尚、本規格値は、出荷時に適用。
THIS REQUIREMENT SHOULD BE APPLIED AT SHIPMENT
(但し、輸送時に剥離が発生しない事。)
(PEEL OFF SHOULD NOT BE ALLOWED,DURING TRANSPORTATION)

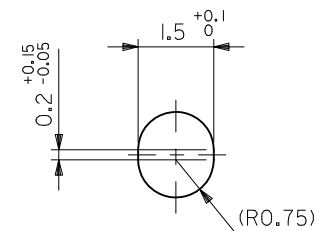
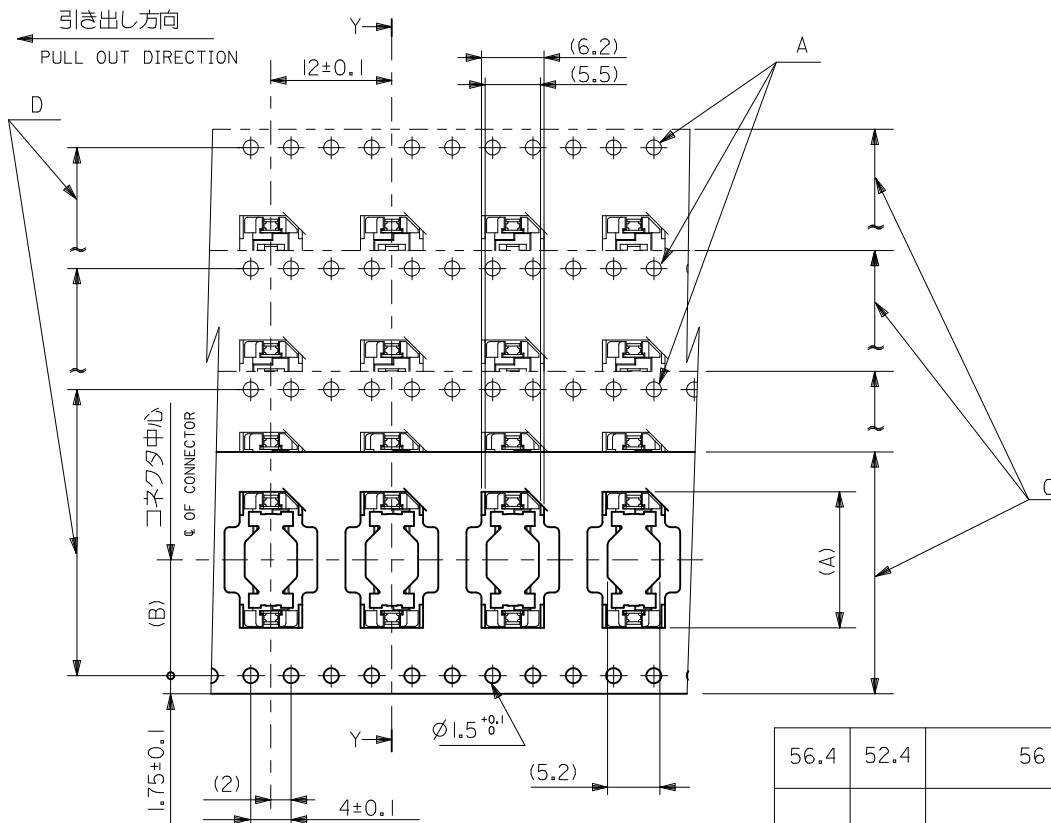


5. 材料
MATERIAL
キャリアテープ : ポリプロピレン (PP)
CARRIER TAPE : POLYPROPYLENE (PP)
トップテープ : PET, PE, PEF
TOP TAPE : PET, PE, PEF
リール : 紙
REEL : CARD BOARD

REVISED EC NO: J2010-2458 DRWN:TKAIHO 2010/06/04 CHK'D:M.SASAO 2010/06/10 APPR:MSASAO 2010/06/11	DESCRIPTION REV	GENERAL TOLERANCES (UNLESS SPECIFIED)		DIMENSION STYLE MM ONLY		CONNECTOR SERIES No. 53627-***72		
		10 UNDER ±0.2		DRAWN BY DATE Y.SAKIYAMA 2004/03/05		SCALE ---	DESIGN UNITS METRIC	
		10 OVER 30 UNDER ±0.25		CHECKED BY DATE M.SASAO 2004/03/05		TITLE EMBSTP PKG FOR 0.635 B/B PLUG HSG ASSY (H=10) -LEAD FREE-		
		30 OVER ±0.3		APPROVED BY DATE M.SASAO 2004/03/05				
ANGULAR ±3 °		MATERIAL NO. SEE CHART		DOCUMENT NO. SD-53627-002		THIRD ANGLE PROJECTION		
DRAFT WHERE APPLICABLE MUST REMAIN WITHIN DIMENSIONS		SIZE A3		MOLEX INCORPORATED				SHEET NO. 1 OF 3



断面 Y-Y
SECTION Y-Y



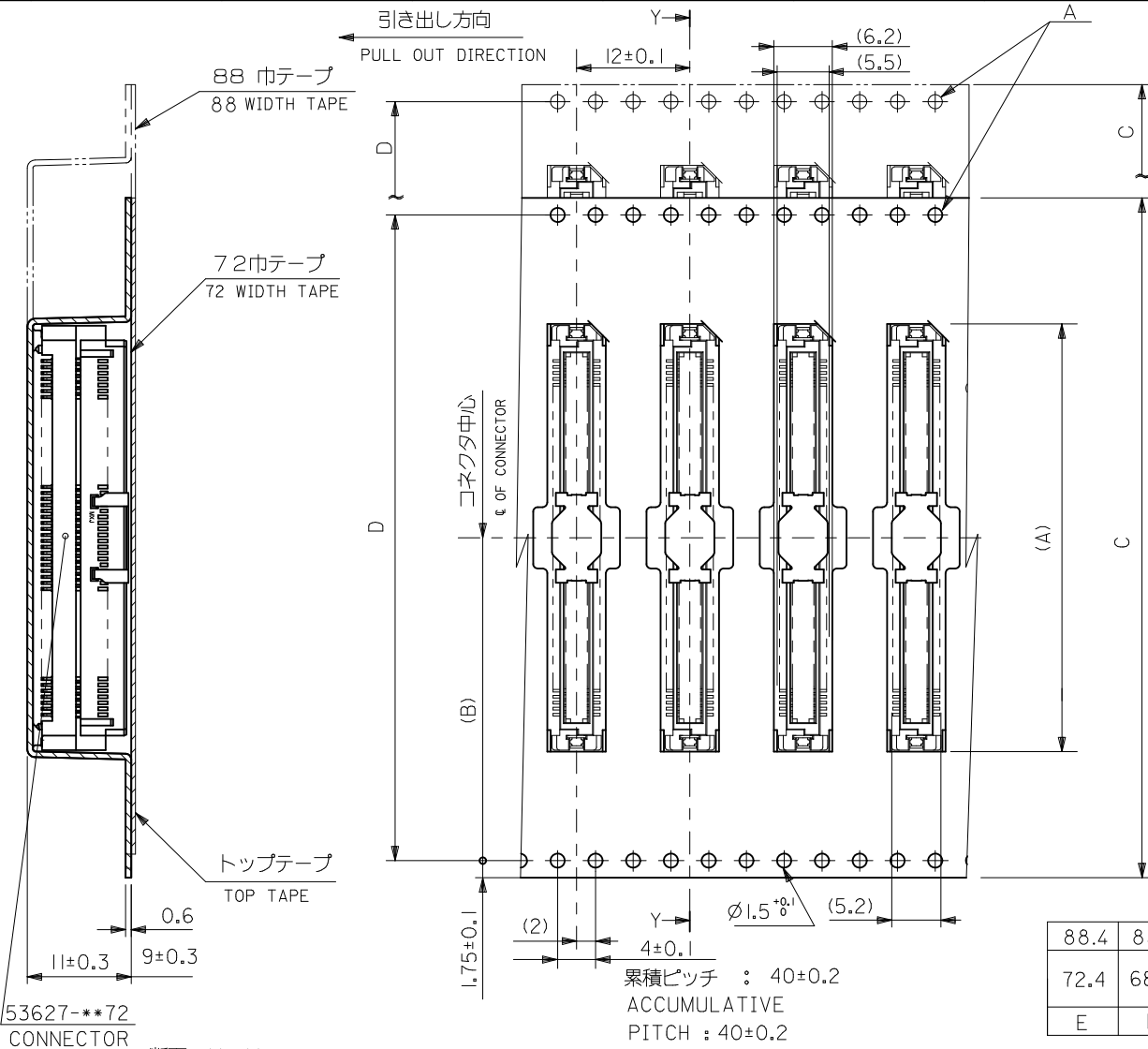
A部詳細

累積ピッチ : 40±0.2
ACCUMULATIVE
PITCH : 40±0.2

56.4	52.4	56	26.2	38.9	53627-1074	100
				35.8	-0974	90
44.4	40.4	44	20.2	32.6	-0874	80
				29.4	-0774	70
				26.2	-0674	60
				23.1	-0574	50
32.4	28.4	32	14.2	19.9	-0474	40
				16.7	-0374	30
24.4	—	24	11.5	13.5	53627-0274	20
E	D	C	キャリアテープ幅 CARRIER TAPE WIDTH	(B)	(A)	MATERIAL NO. 極数 CIRCUITS

REVISED EC NO: J2010-2458 DRWN:TKAIHO 2010/06/04 CH'KD:M.SASAO 2010/06/10 APPR:MSASAO 2010/06/11	GENERAL TOLERANCES (UNLESS SPECIFIED)		DIMENSION STYLE MM ONLY		CONNECTOR SERIES No. 53627-***72	
	10 UNDER	±0.2	DRAWN BY Y.SAKIYAMA		SCALE ---	
	10 OVER 30 UNDER	±0.25	DATE 2004/03/05		DESIGN UNITS METRIC	
	30 OVER	±0.3	CHECKED BY M.SASAO		THIRD ANGLE PROJECTION	
	ANGULAR ±3 °	APPROVED BY M.SASAO		DATE 2004/03/05		TITLE EMBSTP PKG FOR 0.635 B/B PLUG HSG ASSY (H=10) -LEAD FREE- MOLEX INCORPORATED
DRAFT WHERE APPLICABLE MUST REMAIN WITHIN DIMENSIONS		MATERIAL NO.		DOCUMENT NO.		
B	REV	SEE CHART		SD-53627-002		SHEET NO. 2 OF 3
		SIZE A3		THIS DRAWING CONTAINS INFORMATION THAT IS PROPRIETARY TO MOLEX INCORPORATED AND SHOULD NOT BE USED WITHOUT WRITTEN PERMISSION		

10 9 8 7 6 5 4 3 2 1



53627-***72 CONNECTOR
断面 Y-Y
SECTION Y-Y

累積ピッチ : 40±0.2
ACCUMULATIVE PITCH : 40±0.2

88.4	84.4	88	42.2	70.7	53627-2074	200
72.4	68.4	72	34.2	51.6	53627-1474	140
				45.3	53627-1274	120
E	D	C	キャリアテープ幅 CARRIER TAPE WIDTH	(B)	(A)	MATERIAL NO. 種数 CIRCUITS

REVISED EC NO: J2010-2458 DRWN: KAIHO CHKD: M. SASAO APPR: MSASAO	DESCRIPTION 2010/06/04 2010/06/10 2010/06/11	GENERAL TOLERANCES (UNLESS SPECIFIED)		DIMENSION STYLE MM ONLY		CONNECTOR SERIES No. 53627-***72	
		10 UNDER	±0.2	DRAWN BY Y. SAKIYAMA		SCALE ---	
		10 OVER 30 UNDER	±0.25	DATE 2004/03/05		DESIGN UNITS METRIC	
		30 OVER	±0.3	CHECKED BY M. SASAO		THIRD ANGLE PROJECTION	
ANGULAR ±3 °		DRAFT WHERE APPLICABLE MUST REMAIN WITHIN DIMENSIONS		APPROVED BY M. SASAO		DATE 2004/03/05	
SIZE A3		SEE CHART				DOCUMENT NO. SD-53627-002	
THIS DRAWING CONTAINS INFORMATION THAT IS PROPRIETARY TO MOLEX INCORPORATED AND SHOULD NOT BE USED WITHOUT WRITTEN PERMISSION							



Компания «ЭлектроПласт» предлагает заключение долгосрочных отношений при поставках импортных электронных компонентов на взаимовыгодных условиях!

Наши преимущества:

- Оперативные поставки широкого спектра электронных компонентов отечественного и импортного производства напрямую от производителей и с крупнейших мировых складов;
- Поставка более 17-ти миллионов наименований электронных компонентов;
- Поставка сложных, дефицитных, либо снятых с производства позиций;
- Оперативные сроки поставки под заказ (от 5 рабочих дней);
- Экспресс доставка в любую точку России;
- Техническая поддержка проекта, помощь в подборе аналогов, поставка прототипов;
- Система менеджмента качества сертифицирована по Международному стандарту ISO 9001;
- Лицензия ФСБ на осуществление работ с использованием сведений, составляющих государственную тайну;
- Поставка специализированных компонентов (Xilinx, Altera, Analog Devices, Intersil, Interpoint, Microsemi, Aeroflex, Peregrine, Syfer, Eurofarad, Texas Instrument, Miteq, Cobham, E2V, MA-COM, Hittite, Mini-Circuits, General Dynamics и др.);

Помимо этого, одним из направлений компании «ЭлектроПласт» является направление «Источники питания». Мы предлагаем Вам помощь Конструкторского отдела:

- Подбор оптимального решения, техническое обоснование при выборе компонента;
- Подбор аналогов;
- Консультации по применению компонента;
- Поставка образцов и прототипов;
- Техническая поддержка проекта;
- Защита от снятия компонента с производства.



Как с нами связаться

Телефон: 8 (812) 309 58 32 (многоканальный)

Факс: 8 (812) 320-02-42

Электронная почта: org@eplast1.ru

Адрес: 198099, г. Санкт-Петербург, ул. Калинина, дом 2, корпус 4, литера А.