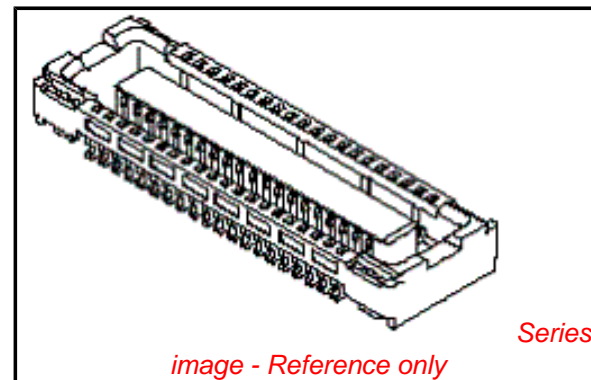


PLEASE CHECK WWW.MOLEX.COM FOR LATEST PART INFORMATION

Part Number: **0513382274**
Status: **Active**
Description: 0.40mm (.016") Pitch Board-to-Board SlimStack™ Receptacle, Surface Mount, Dual Row, Vertical Stacking, 1.50mm (.059") Stacking Height, with Space Saving J-Bend Leads, 22 Circuits, Lead-free

Documents:

[3D Model](#)
[Drawing \(PDF\)](#)
[Product Specification PS-51338-002 \(PDF\)](#)
[Product Specification PS-51338-004 \(PDF\)](#)
[RoHS Certificate of Compliance \(PDF\)](#)



General

| | |
|----------------|--|
| Product Family | PCB Receptacles |
| Series | 51338 |
| Application | Board-to-Board |
| Comments | Solder Tab Plating: Tin (Sn) over Nickel |
| Product Name | SlimStack™ |

Physical

| | |
|--------------------------------|-----------------------|
| Circuits (Loaded) | 22 |
| Circuits (maximum) | 22 |
| Color - Resin | Black |
| Durability (mating cycles max) | 30 |
| Glow-Wire Compliant | No |
| Lock to Mating Part | Yes |
| Mated Height (in) | 0.059 In, 0.118 In |
| Mated Height (mm) | 1.50 mm, 3.00 mm |
| Material - Metal | Phosphor Bronze |
| Material - Plating Mating | Gold |
| Material - Plating Termination | Gold |
| Number of Rows | 2 |
| Orientation | Vertical |
| PCB Locator | No |
| PCB Retention | None |
| Packaging Type | Embossed Tape on Reel |
| Pitch - Mating Interface (in) | 0.016 In |
| Pitch - Mating Interface (mm) | 0.40 mm |
| Polarized to Mating Part | No |
| Polarized to PCB | No |
| Stackable | No |
| Surface Mount Compatible (SMC) | Yes |
| Temperature Range - Operating | -25°C to +85°C |
| Termination Interface: Style | Surface Mount |

Electrical

| | |
|-------------------------------|-----------------|
| Current - Maximum per Contact | 0.3A |
| Voltage - Maximum | 50V AC (RMS)/DC |

Material Info

Reference - Drawing Numbers

| | |
|-------------------------|---|
| Packaging Specification | SPK-51338-001 |
| Product Specification | PS-51338-002, PS-51338-004, RPS-51338-007, RPS-51338-008, RPS-51338-012, RPS-51338-013, RPS-51338-015, RPS-51338-018, RPS-51338-019, RPS-51338-020, RPS-51338-022, RPS-51338-025, RPS-51338-027, RPS-51338-030, RPS-51338-031 |

EU RoHS

**ELV and RoHS
Compliant**
REACH SVHC
 Not Reviewed
**Halogen-Free
Status**
 Not Reviewed

China RoHS



**Need more information on product
environmental compliance?**

Email productcompliance@molex.com
 For a multiple part number RoHS Certificate of
 Compliance, [click here](#)

Please visit the [Contact Us](#) section for any
 non-product compliance questions.

Search Parts in this Series

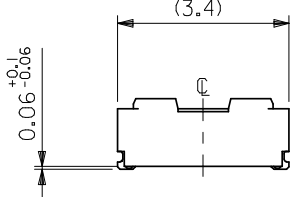
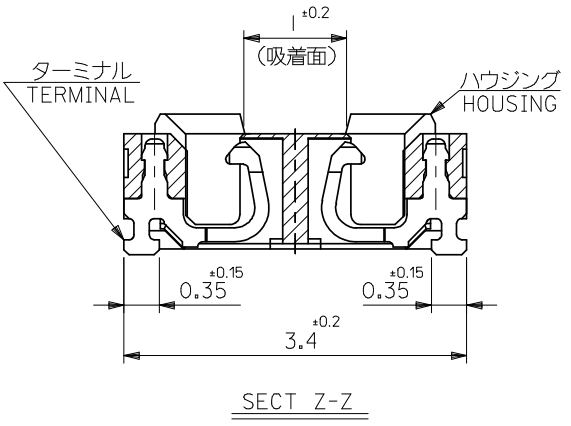
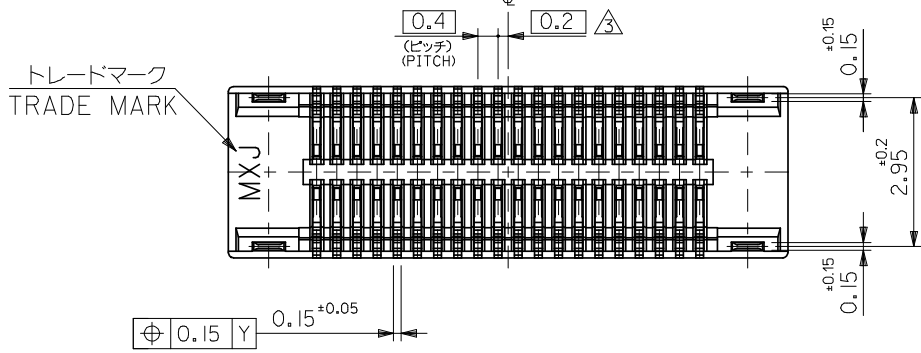
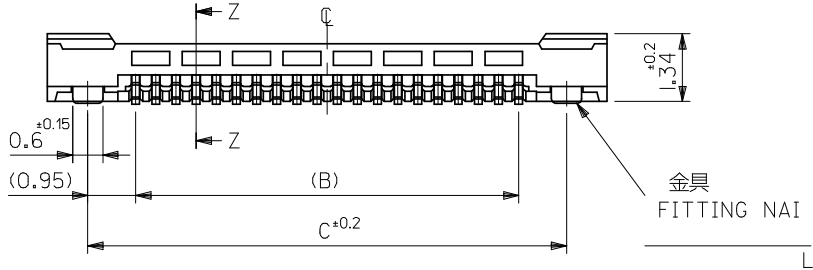
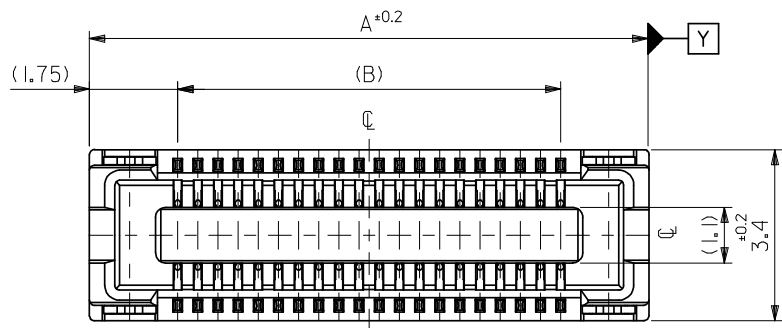
[51338Series](#)

Mates With

[55909](#) PCB Header . [503219](#) PCB Header
 for 3.00mm Height

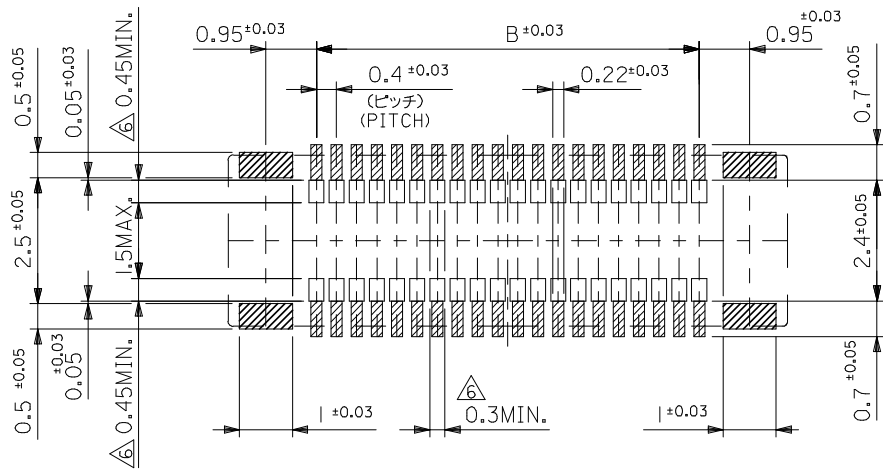
This document was generated on 04/26/2010

PLEASE CHECK WWW.MOLEX.COM FOR LATEST PART INFORMATION



| | | | | | |
|------|------|------|--------------------|--------------|------|
| 25.5 | 23.6 | 27.1 | 51338-1274 | 51338-1209 | 120 |
| 21.5 | 19.6 | 23.1 | 51338-1074 | 51338-1009 | 100 |
| 19.5 | 17.6 | 21.1 | 51338-0974 | 51338-0909 | 90 |
| 17.5 | 15.6 | 19.1 | 51338-0874 | 51338-0809 | 80 |
| 15.5 | 13.6 | 17.1 | 51338-0774 | 51338-0709 | 70 |
| 13.5 | 11.6 | 15.1 | 51338-0674 | 51338-0609 | 60 |
| 11.5 | 9.6 | 13.1 | 51338-0574 | 51338-0509 | 50 |
| 9.5 | 7.6 | 11.1 | 51338-0474 | 51338-0409 | 40 |
| 8.3 | 6.4 | 9.9 | 51338-3474 | 51338-0349 | 34 |
| 7.5 | 5.6 | 9.1 | 51338-0374 | 51338-0309 | 30 |
| 6.7 | 4.8 | 8.3 | 51338-2674 | 51338-0269 | 26 |
| 6.3 | 4.4 | 7.9 | 51338-2474 | 51338-0249 | 24 |
| 5.9 | 4.0 | 7.5 | 51338-2274 | 51338-0229 | 22 |
| 5.5 | 3.6 | 7.1 | 51338-0274 | 51338-0209 | 20 |
| 3.9 | 2.0 | 5.5 | 51338-9974 | 51338-0129 | 12 |
| C | B | A | EMBOSSED TAPE PKG. | MATERIAL No. | CKT. |
| | | | ORDER No. オオーダー番号 | | |

| | | | | | | | |
|---|---------------------------------------|--|----------------------------|--------------------|---|------------------------|-----------|
| REVISED EC NO.: J2009-0301 DRWN: MWABEI 2008/08/27 CHKD: THARUYAMA 2008/08/28 APPR: NUKITA 2008/08/28 | GENERAL TOLERANCES (UNLESS SPECIFIED) | | DIMENSION STYLE MM ONLY | | SCALE --- | DESIGN UNITS METRIC | MODEL NO. |
| | 10 UNDER | ±--- | DRAWN BY M. NINOMIYA | DATE 2004/03/17 | TITLE 0.4 B-TO-B REC ASSY HGT=1.5 J-BEND TAIL -LEAD FREE- | | |
| | 10 OVER 30 UNDER | ±--- | CHECKED BY K. TOJO | DATE 2004/03/17 | MOLEX INCORPORATED | | |
| | 30 OVER | ±--- | APPROVED BY M. SASAO | DATE 2004/03/17 | DOCUMENT NO. SD-51338-003 | SHEET NO. 1 OF 2 | |
| REV | DESCRIPTION | ANGULAR ±---° | MATERIAL NO. SEE TABLE | | THIS DRAWING CONTAINS INFORMATION THAT IS PROPRIETARY TO MOLEX INCORPORATED AND SHOULD NOT BE USED WITHOUT WRITTEN PERMISSION | | |
| | | DRAFT WHERE APPLICABLE MUST REMAIN WITHIN DIMENSIONS | | | | | |



参考基板レイアウト (マウント面)
P.C.BOARD PATTERN DIMENSION (REFERENCE)
(MOUNTING AREA)

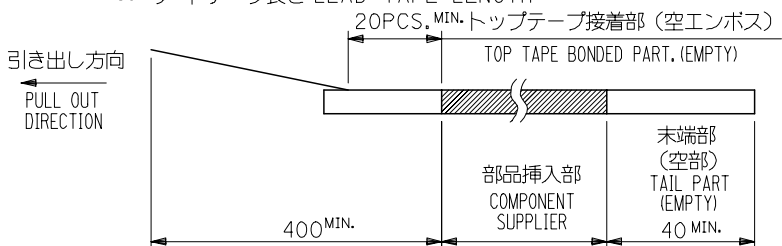
注記 NOTES:

1. 使用材料 MATERIAL
ハウジング: 液晶ポリマー (LCP) ガラス充填 UL94V-0 (黒)
HOUSING: LIQUID CRYSTAL POLYMER (GLASS FILLED)
UL94V-0 (COLOR: BLACK)
ターミナル: リン青銅 (t=0.15)
TERMINAL: PHOSPHOR BRONZE (t=0.15)
金具: リン青銅 (t=0.15)
FITTING NAIL: PHOSPHOR BRONZE (t=0.15)
2. メッキ仕様 PLATING
ターミナル TERMINAL
金メッキ 0.2マイクロメートル以上 (コンタクト部)
GOLD 0.2MICROMETER MINIMUM (CONTACT AREA)
金メッキ 0.4マイクロメートル以下 (テール部)
GOLD 0.4MICROMETER MAXIMUM (TAIL AREA)
下地メッキ: ニッケルメッキ 1.5マイクロメートル以上
UNDER PLATING: NICKEL 1.5MICROMETER MINIMUM
*コンタクト部とテール部はニッケルメッキによって分断されている金メッキです。
DIVIDE INTO PARTS THE GOLD PLATING OF THE CONTACT AND THE TAIL PART BY THE NICKEL PLATING.
金具 FITTING NAIL
錫メッキ 1.0 マイクロメートル以上
TIN PLATING 1.0 MICROMETER MINIMUM
下地メッキ: ニッケルメッキ 1.0 マイクロメートル以上
UNDER PLATING: NICKEL 1.0 MICROMETER MINIMUM
3. (全極数/2) = 偶数の場合に適用。
APPLY FOR (CIRCUIT/2)=EVEN.
4. 嵌合相手: 55909シリーズ
MATE WITH: 55909 SERIES.
5. テール平坦度は、0.08以下
テール及び金具の平坦度は、0.1以下
TAIL COPLANARITY TO BE 0.08MAXIMUM
TAIL AND FITTING NAIL COPLANARITY TO BE 0.1MAXIMUM
6. 同一回路以外のパターン書込み禁止範囲を示す。
NO PRINT CIRCUIT AREA OTHER THAN THE SAME CIRCUIT.
7. 本製品は 51338-***3 の鉛フリー品である。
THIS PRODUCT IS LEAD FREE OF 51338-***3.

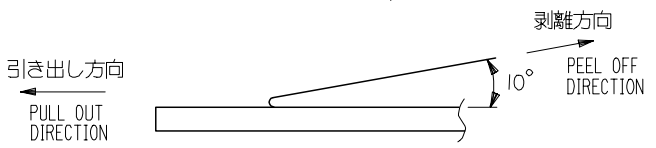
| | | | | | | | | | |
|--|---------------------------------------|-------------|----------------------------|--|------------|--------------|---|---------------------|--|
| REVISED EC NO: J2009-0301 DRAWN: MABEI 2008/08/27 CHKD: THARUYAMA 2008/08/28 APPR: NUKITA 2008/08/28 | GENERAL TOLERANCES (UNLESS SPECIFIED) | | DIMENSION STYLE MM ONLY | | 51338-***9 | | MODEL NO. | | |
| | 10 UNDER | ±--- | DRAWN BY | DATE | SCALE | DESIGN UNITS | THIRD ANGLE PROJECTION | | |
| | 10 OVER 30 UNDER | ±--- | M. NINOMIYA | 2004/03/17 | --- | METRIC | 0.4 B-TO-B REC ASSY HGT=1.5 J-BEND TAIL -LEAD FREE- | | |
| | 30 OVER | ±--- | K. TOJO | 2004/03/17 | TITLE | | MOLEX INCORPORATED | | |
| ANGULAR | ±---° | APPROVED BY | DATE | MATERIAL NO. | | DOCUMENT NO. | | | |
| DRAFT WHERE APPLICABLE MUST REMAIN WITHIN DIMENSIONS | | SEE SHEET 1 | | M. SASAO 2004/03/17 | | SD-51338-003 | | | |
| SIZE A3 | | | | THIS DRAWING CONTAINS INFORMATION THAT IS PROPRIETARY TO MOLEX INCORPORATED AND SHOULD NOT BE USED WITHOUT WRITTEN PERMISSION | | | | SHEET NO. 2 OF 2 | |

NOTES

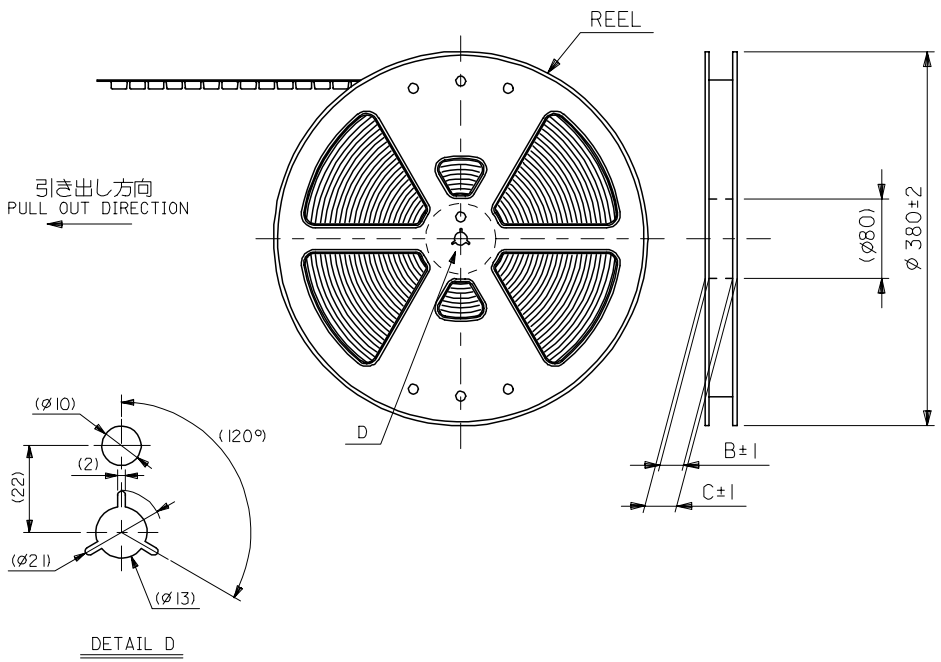
- 製品詳細寸法については製品単体図面を参照下さい。
RE DETAILED DIMENSION, SEE PRODUCT DRAWING.
- 梱包数量：2500個/リール
NUMBER OF CONNECTORS : 2500PCS/REEL
- リードテープ長さ LEAD TAPE LENGTH



- トップテープの剥離強度：0.1N～1.3N(10gf～130gf)
(剥離方向は下図参照)
尚、本規格値は出荷時に適用。(但し、輸送時に剥離が発生しないこと。)
PEELING OFF FORCE OF TOP TAPE : 0.1N～1.3N(10gf～130gf)
(PEELING DIRECTION AS SHOWN IN FOLLOWING FIG.)
THIS REQUIREMENT SHOULD BE APPLIED AT SHIPMENT.
PEEL OFF SHOULD NOT BE ALLOWED, DURING TRANSPORTATION.



- 材料
キャリアテープ (CARRIER TAPE) : ポリプロピレン (POLYPROPYLENE)
トップテープ (TOPTAPE) : PET, PE, PEF
リール (REEL) : ポリスチレン (PS) <リサイクル材を含む>
POLYSTYRENE (PS) <RECYCLE MATERIAL CONTAINED>
- 本製品は 51338-***4 の鉛フリー品である。
THIS PRODUCT IS LEAD FREE OF 51338-***4.



DETAIL D

| | | | | | | | | |
|--|--|------|----------------------------|--------------------|---|------------------------|------------------------|--|
| REVISED EC NO: J2006-0826 DRWN: TAKEMOTO 2005/09/30 CHKD: 2005/09/30 APPR: NUKITA 2005/09/30 | GENERAL TOLERANCES (UNLESS SPECIFIED) | | DIMENSION STYLE MM ONLY | | 51338-xx74 | | MODEL NO. | |
| | 10 UNDER | ±--- | DRAWN BY M. NINOMI | DATE 2004/03/17 | SCALE --- | DESIGN UNITS METRIC | THIRD ANGLE PROJECTION | |
| | 10 OVER 30 UNDER | ±--- | CHECKED BY K. TOJO | DATE 2004/03/17 | TITLE 0.4 B-TO-B CONN. REC HSG ASSY(HGT=1.5) EMBSTP PKG -LEAD FREE- | | | |
| | 30 OVER | ±--- | APPROVED BY M. SASAO | DATE 2004/03/17 | MOLEX INCORPORATED | | | |
| | ANGULAR | ±--- | MATERIAL NO. SEE CHART | | DOCUMENT NO. SD-51338-004 | | SHEET NO. 1 OF 4 | |
| | DRAFT WHERE APPLICABLE MUST REMAIN WITHIN DIMENSIONS | | SIZE A3 | | THIS DRAWING CONTAINS INFORMATION THAT IS PROPRIETARY TO MOLEX INCORPORATED AND SHOULD NOT BE USED WITHOUT WRITTEN PERMISSION | | | |

10 9 8 7 6 5 4 3 2 1

F

E

D

C

B

A

F

E

D

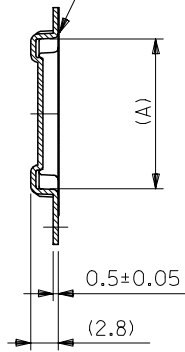
C

B

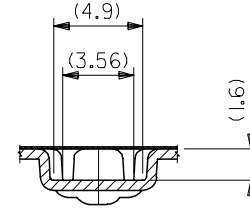
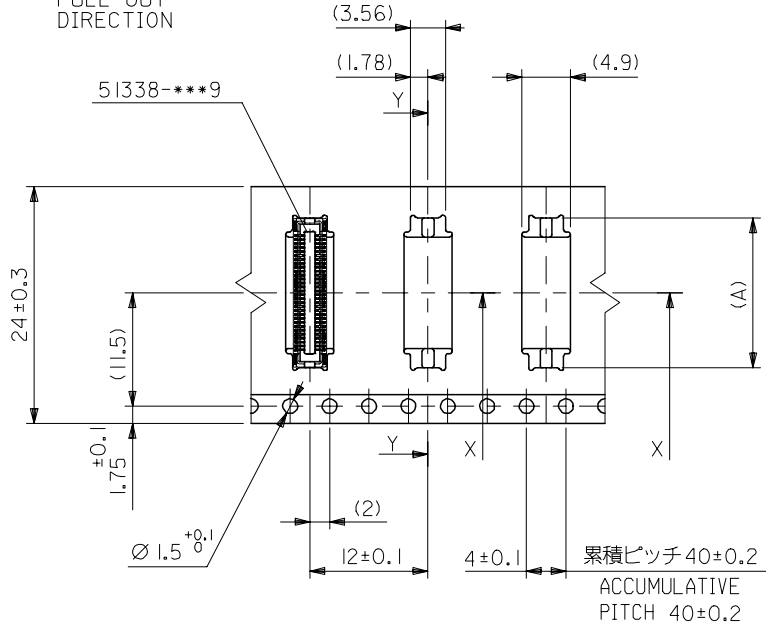
A

引き出し方向
PULL OUT
DIRECTION

トップテープ
TOP TAPE



SECT:Y-Y



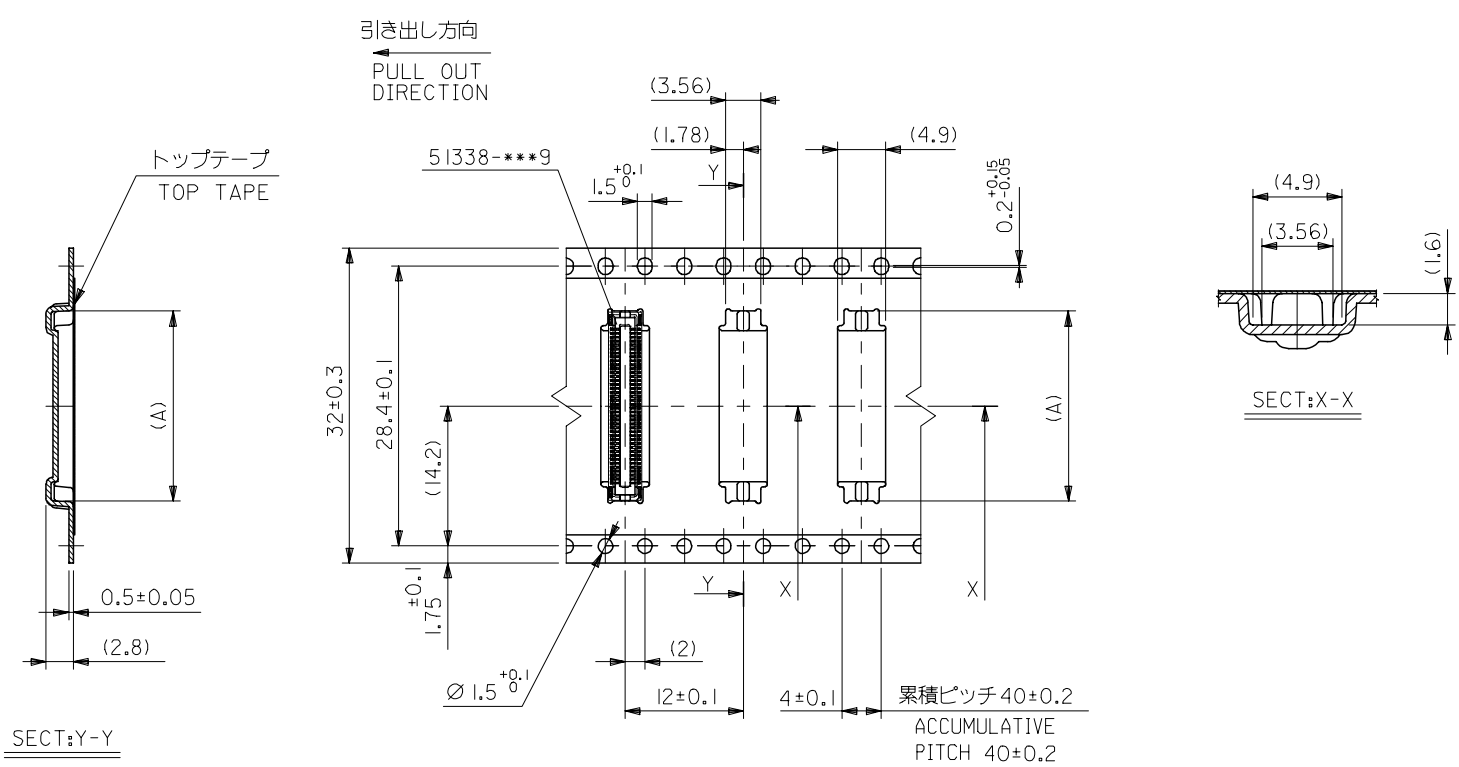
SECT:X-X

24mm幅キャリアテープ
24mm WIDTH CARRIER TAPE

累積ピッチ 40±0.2
ACCUMULATIVE
PITCH 40±0.2

| | | | | | | | |
|--------------------------------|------------|------|-------|------------|-----|--------------|------------|
| 24 | 29.4 | 25.4 | 15.26 | 51338-0674 | 60 | | |
| | | | 13.26 | 51338-0574 | 50 | | |
| | | | 11.26 | 51338-0474 | 40 | | |
| | | | 10.06 | 51338-3474 | 34 | | |
| | | | 9.26 | 51338-0374 | 30 | | |
| | | | 8.46 | 51338-2674 | 26 | | |
| | | | 8.06 | 51338-2474 | 24 | | |
| | | | 7.66 | 51338-2274 | 22 | | |
| | | | 7.26 | 51338-0274 | 20 | | |
| 5.66 | 51338-9974 | 12 | | | | | |
| キャリアテープ幅 CARRIER TAPE WIDTH | | | C | B | (A) | MATERIAL NO. | 極数 CKT. |

| | | | | | | | | | | |
|---|---------------------------------------|------|--|--------------------|--|--|------------------------------|--|------------------------|--|
| REVISED EC NO: J2006-0826 DRWN: TAKEMOTO 2005/09/30 CHKD: TANAKA 2005/09/30 APPR: NUKITA 2005/09/30 | GENERAL TOLERANCES (UNLESS SPECIFIED) | | DIMENSION STYLE MM ONLY | | SCALE --- | | DESIGN UNITS METRIC | | THIRD ANGLE PROJECTION | |
| | 10 UNDER | ±--- | DRAWN BY M. NINOMI | DATE 2004/03/17 | TITLE 0.4 B-TO-B CONN. REC HSG ASSY(HGT=1.5) EMBSTP PKG -LEAD FREE- | | | | | |
| | 10 OVER 30 UNDER | ±--- | CHECKED BY K. TOJO | DATE 2004/03/17 | APPROVED BY M. SASAO 2004/03/17 | | | | | |
| | 30 OVER | ±--- | APPROVED BY M. SASAO 2004/03/17 | | MATERIAL NO. SEE CHART | | DOCUMENT NO. SD-51338-004 | | SHEET NO. 2 OF 4 | |
| | ANGULAR | ±--- | DRAFT WHERE APPLICABLE MUST REMAIN WITHIN DIMENSIONS | | | | | | | |



32mm幅キャリアテープ
32mm WIDTH CARRIER TAPE

| | | | | | |
|--------------------------------|------|------|-------|--------------|------------|
| 32 | 37.4 | 33.4 | 21.26 | 51338-0974 | 90 |
| | | | 19.26 | 51338-0874 | 80 |
| | | | 17.26 | 51338-0774 | 70 |
| キャリアテープ幅 CARRIER TAPE WIDTH | C | B | (A) | MATERIAL NO. | 極数 CKT. |

| | | | | | | | | | | | |
|---|---------------------------------------|------------|----------------------------|--|--|--|------------------------|--|------------------------|--|--|
| REVISED EC NO: J2006-0826 DRW: TAKEMOTO 2005/09/30 CHK: TANAKA 2005/09/30 APPR: NUKITA 2005/09/30 | GENERAL TOLERANCES (UNLESS SPECIFIED) | | DIMENSION STYLE MM ONLY | | SCALE --- | | DESIGN UNITS METRIC | | THIRD ANGLE PROJECTION | | |
| | 10 UNDER | ±--- | DRAWN BY M. NINOMI | DATE 2004/03/17 | TITLE 0.4 B-TO-B CONN. REC HSG ASSY(HGT=1.5) EMBSTP PKG -LEAD FREE- | | | | | | |
| | 10 OVER 30 UNDER | ±--- | CHECKED BY K. TOJO | DATE 2004/03/17 | MOLEX INCORPORATED | | | | | | |
| | 30 OVER | ±--- | APPROVED BY M. SASAO | DATE 2004/03/17 | DOCUMENT NO. SD-51338-004 | | | | | | |
| | ANGULAR | ±--- | MATERIAL NO. SEE CHART | | SHEET NO. 3 OF 4 | | | | | | |
| DRAFT WHERE APPLICABLE MUST REMAIN WITHIN DIMENSIONS | | SIZE A3 | | THIS DRAWING CONTAINS INFORMATION THAT IS PROPRIETARY TO MOLEX INCORPORATED AND SHOULD NOT BE USED WITHOUT WRITTEN PERMISSION | | | | | | | |

10 9 8 7 6 5 4 3 2 1

F

E

D

C

B

A

F

E

D

C

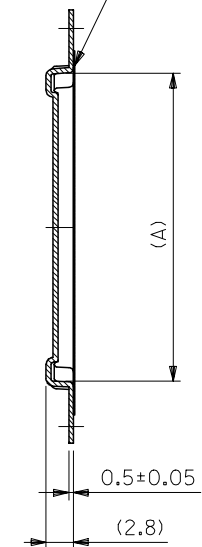
B

A

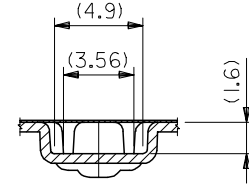
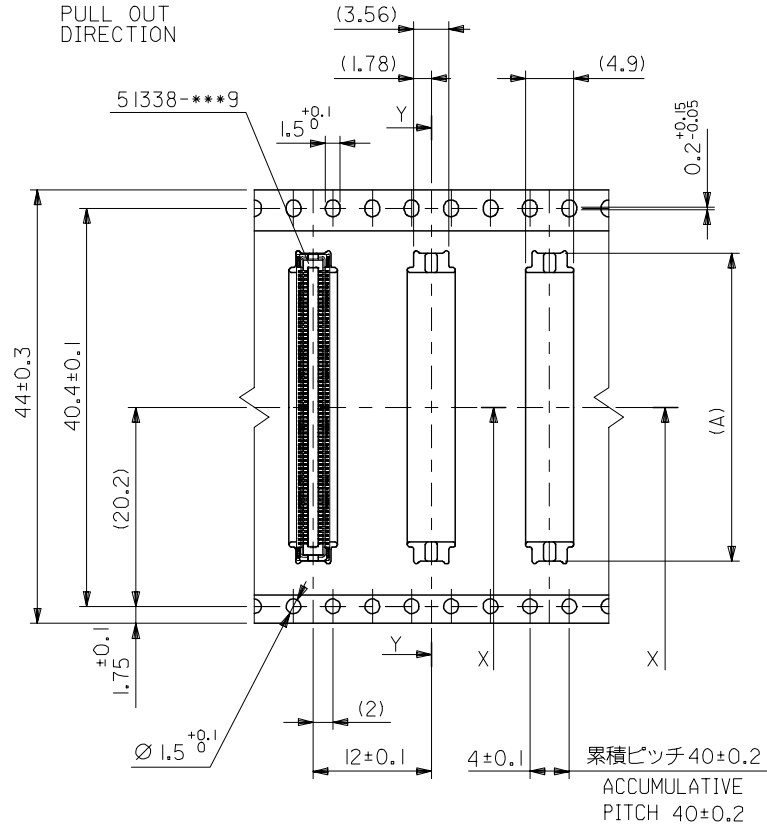
引き出し方向
PULL OUT
DIRECTION

トップテープ
TOP TAPE

51338-***9



SECT:Y-Y



SECT:X-X

44mm幅キャリアテープ
44mm WIDTH CARRIER TAPE

| | | | | | |
|--------------------------------|------|------|-------|--------------|------------|
| 44 | 49.4 | 45.4 | 27.26 | 51338-1274 | 120 |
| | | | 23.26 | 51338-1074 | 100 |
| キャリアテープ幅 CARRIER TAPE WIDTH | C | B | (A) | MATERIAL NO. | 極数 CKT. |

51338-***74 MODEL NO.

| | | | | | | | |
|--|---------------------------------------|------|--|--------------------|--|------------------------|---------------------------|
| REVISED EC NO: J2006-0826 DRWN: TAKEMOTO CHKD: 2005/09/30 APPR: NUKITA 2005/09/30 | GENERAL TOLERANCES (UNLESS SPECIFIED) | | DIMENSION STYLE MM ONLY | | SCALE --- | DESIGN UNITS METRIC | THIRD ANGLE PROJECTION |
| | 10 UNDER | ±--- | DRAWN BY M. NINOMI | DATE 2004/03/17 | TITLE 0.4 B-TO-B CONN. REC HSG ASSY(HGT=1.5) EMBSTP PKG -LEAD FREE- | | |
| | 10 OVER 30 UNDER | ±--- | CHECKED BY K. TOJO | DATE 2004/03/17 | MOLEX INCORPORATED | | |
| | 30 OVER | ±--- | APPROVED BY M. SASAO | DATE 2004/03/17 | DOCUMENT NO. SD-51338-004 | | |
| | ANGULAR | ±--- | MATERIAL NO. SEE CHART | | SHEET NO. 4 OF 4 | | |
| DRAFT WHERE APPLICABLE MUST REMAIN WITHIN DIMENSIONS | | | THIS DRAWING CONTAINS INFORMATION THAT IS PROPRIETARY TO MOLEX INCORPORATED AND SHOULD NOT BE USED WITHOUT WRITTEN PERMISSION | | | | |

9

8

7

6

5

4

3

2



Компания «ЭлектроПласт» предлагает заключение долгосрочных отношений при поставках импортных электронных компонентов на взаимовыгодных условиях!

Наши преимущества:

- Оперативные поставки широкого спектра электронных компонентов отечественного и импортного производства напрямую от производителей и с крупнейших мировых складов;
- Поставка более 17-ти миллионов наименований электронных компонентов;
- Поставка сложных, дефицитных, либо снятых с производства позиций;
- Оперативные сроки поставки под заказ (от 5 рабочих дней);
- Экспресс доставка в любую точку России;
- Техническая поддержка проекта, помощь в подборе аналогов, поставка прототипов;
- Система менеджмента качества сертифицирована по Международному стандарту ISO 9001;
- Лицензия ФСБ на осуществление работ с использованием сведений, составляющих государственную тайну;
- Поставка специализированных компонентов (Xilinx, Altera, Analog Devices, Intersil, Interpoint, Microsemi, Aeroflex, Peregrine, Syfer, Eurofarad, Texas Instrument, Miteq, Cobham, E2V, MA-COM, Hittite, Mini-Circuits, General Dynamics и др.);

Помимо этого, одним из направлений компании «ЭлектроПласт» является направление «Источники питания». Мы предлагаем Вам помощь Конструкторского отдела:

- Подбор оптимального решения, техническое обоснование при выборе компонента;
- Подбор аналогов;
- Консультации по применению компонента;
- Поставка образцов и прототипов;
- Техническая поддержка проекта;
- Защита от снятия компонента с производства.



Как с нами связаться

Телефон: 8 (812) 309 58 32 (многоканальный)

Факс: 8 (812) 320-02-42

Электронная почта: org@eplast1.ru

Адрес: 198099, г. Санкт-Петербург, ул. Калинина, дом 2, корпус 4, литера А.