

Ultralow Noise and Spurious Fractional-N Synthesizer with Integrated VCO

DESCRIPTION

Demonstration circuit 1959A features the [LTC6948](#), an Ultralow Noise and Spurious Fractional-N Synthesizer with Integrated VCO.

There are four options of the DC1959A, one for each version of the LTC6948. Table 1 summarizes the available DC1959A options.

The DC1959A provides 50Ω SMA connectors for the reference frequency input f_{REF} (REF+IN) and the differential RF output (RF+ and RF-).

A DC590 USB serial controller board is used for SPI communication with the LTC6948, controlled by the supplied FracNWizard™ software.

Design files for this circuit board are available at <http://www.linear.com/demo/DC1959A>

LT, LT, LTC, LTM, Linear Technology and the Linear logo are registered trademarks and FracNWizard is a trademark of Linear Technology Corporation. All other trademarks are the property of their respective owners.

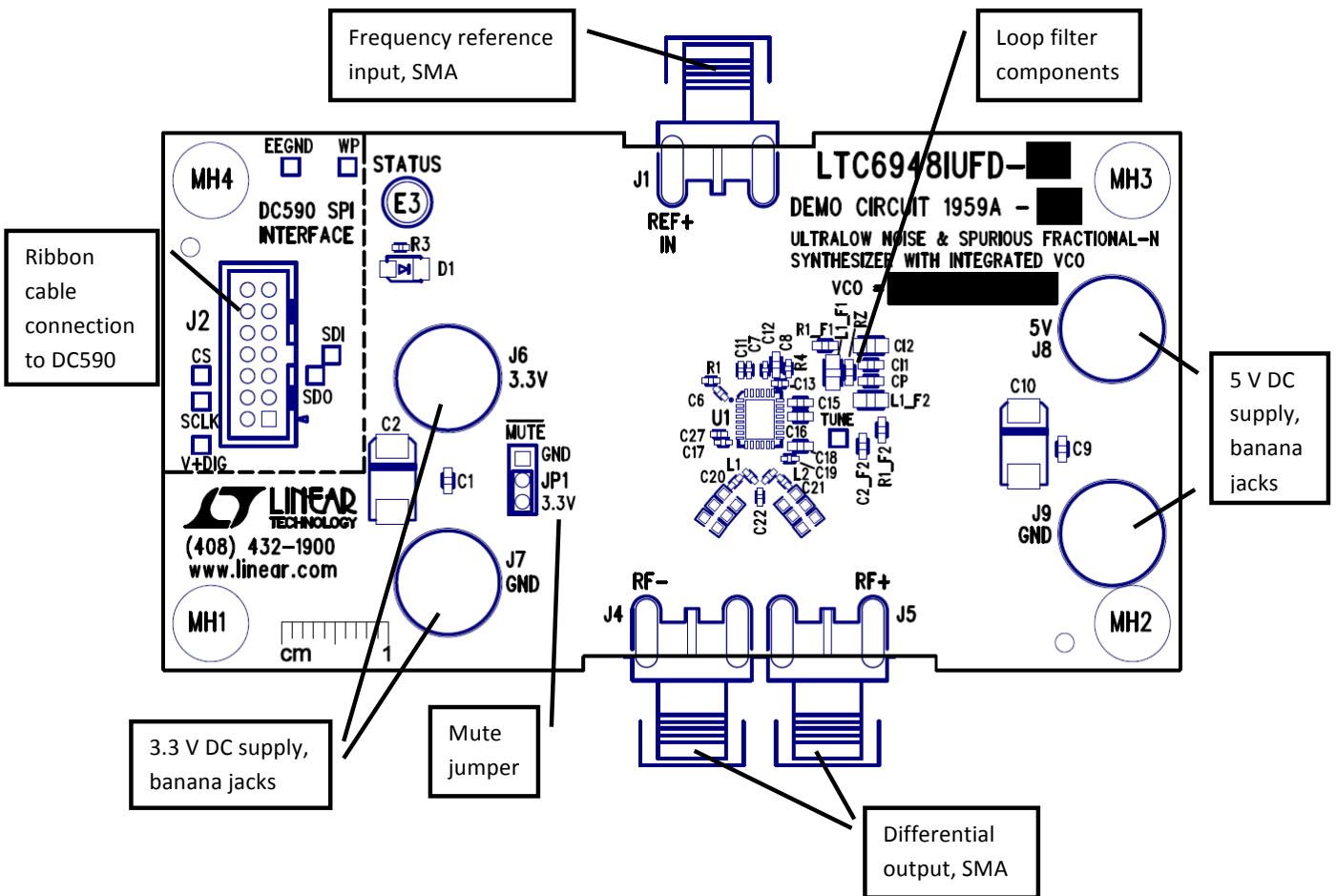


Figure 1. DC1959A Connections

QUICK START PROCEDURE

The DC1959A is easy to set up to evaluate the performance of the LTC6948. Follow the procedure below.

The DC590 and FracNWizard application are required to control the DC1959A through a personal computer (PC).

DC590 Configuration

Place the DC590 jumpers in the following positions (refer to Figure 2):

JP4: EE – Must be in the EN position.

JP5: ISO – ON must be selected.

JP5: SW – ON must be selected.

JP6: VCCIO – 3.3V must be selected. This sets the SPI port to 3.3V operation.

Connect the DC590 to one of your computer's USB ports with the included USB cable.

FracNWizard Installation

The FracNWizard software is used to communicate with the LTC6948 synthesizer. It uses the DC590 to translate between USB and SPI-compatible serial communications formats. It also includes advanced PLL design and simulation capabilities. The following are the FracNWizard system requirements:

- Windows Operating System: Windows XP, Windows 2003 Server, Windows Vista, Windows 7
- Microsoft .NET 3.5 SP1 or later
- Windows Installer 3.1 or later
- Linear Technology's DC590 hardware

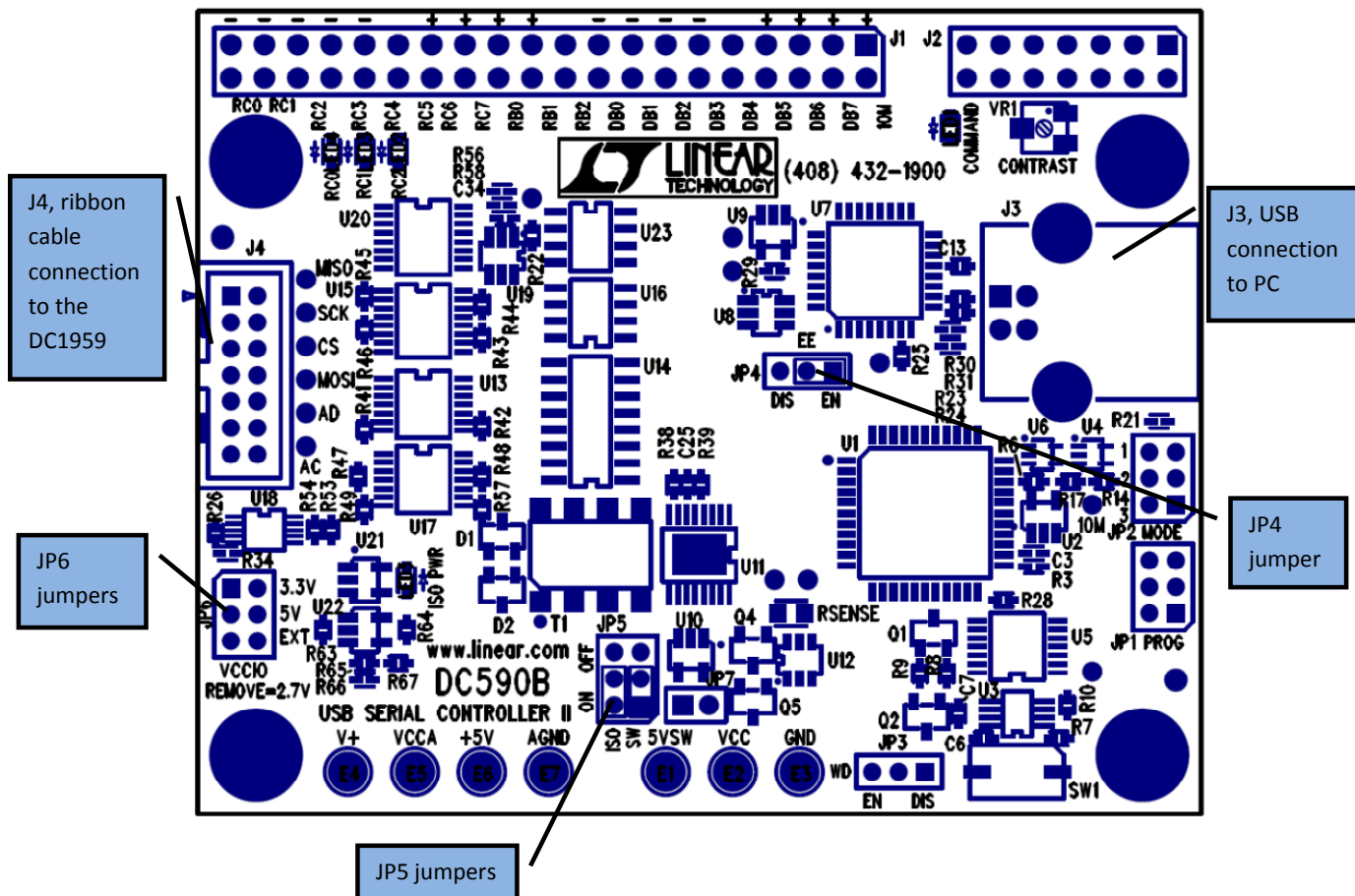


Figure 2. DC590 Jumper and Connector Locations

QUICK START PROCEDURE

Download the FracNWizard setup file at www.linear.com/FracNWizard.

Run the FracNWizard setup file and follow the instructions given on the screen. The setup file will verify and/or install Microsoft .NET and install the FracNWizard. Refer to the Help menu for software operation.

DC1959A Configuration

1. Connect a 100MHz reference frequency source to REF+IN (at J1) and signal analyzers to RF+ and/or RF- (at J5 and/or J4) using the SMA connectors (see Figure 1 and the Typical DC1959A Requirements and Characteristics table).

Be sure to terminate any unused RF output with 50Ω, or poor spurious performance may result.

2. Choose the $\overline{\text{MUTE}}$ jumper setting:

JP1: GND/3.3V – $\overline{\text{MUTE}}$ position. Select GND to mute the RF output, 3.3V to un-mute.

3. Connect the GND, 3.3V, and 5V banana jacks to a power supply and apply power (see Figure 1 and the Typical DC1959A Requirements and Characteristics table).
4. Connect the DC590 to the DC1959A with the provided ribbon cable.
5. Run the FracNWizard application.
6. In FracNWizard, click File -> Load Settings and point to the LTC6948-1_100MHz.fracset file in case of evaluating the LTC6948-1, for instance, or load the appropriate file depending on which option of the LTC6948 you are evaluating.

The red LED on the DC1959A should turn on indicating that the loop is locked and the output is at 907MHz.

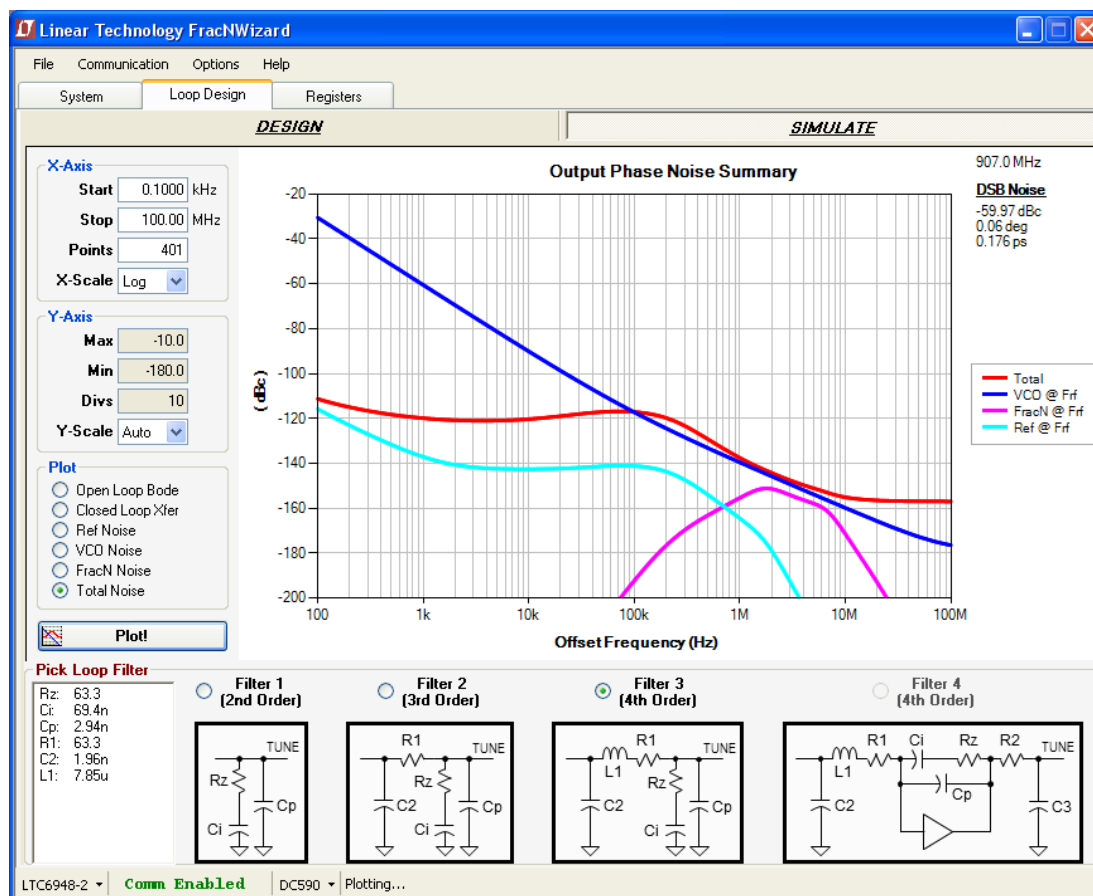


Figure 3. FracNWizard Screenshot

QUICK START PROCEDURE

Troubleshooting

If the red LED does not illuminate, follow the instructions below:

1. Verify that you are able to communicate with the DC1959A. The bottom status line in FracNWizard should read LTC6948 and Comm Enabled as shown in Figure 3. Refer to FracNWizard’s Troubleshoot and Help if not.
2. Verify that the 3.3V and 5V have the correct voltages on them and that the reference frequency is applied to the REF+IN SMA input.

If the red LED is on but you cannot detect an RF output, make sure jumper JP1 is at the 3.3V position. Run Help -> Troubleshoot in FracNWizard if the problem is not resolved.

DC1959A Reconfiguration

You can redesign the frequency plan of the DC1959A using FracNWizard. You can change the loop filter as found using FracNWizard by reinstalling the loop filter components shown in Figure 1.

ASSEMBLY OPTIONS

Table 1. DC1959A Options and Frequency Ranges

ASSEMBLY VERSION	PART NUMBER	VCO FREQUENCY RANGE (GHz)	OUTPUT DIVIDER SETTINGS
DC1959A-A	LTC6948IUFD-1	2.240 to 3.740	Integers 1 through 6
DC1959A-B	LTC6948IUFD-2	3.080 to 4.910	Integers 1 through 6
DC1959A-C	LTC6948IUFD-3	3.840 to 5.790	Integers 1 through 6
DC1959A-D	LTC6948IUFD-4	4.200 to 6.390	Integers 1 through 6

TYPICAL DC1959A REQUIREMENTS AND CHARACTERISTICS

PARAMETER	INPUT OR OUTPUT	PHYSICAL LOCATION	DETAILS
3.3V Power Supply	Input	J6 and J7 Banana Jacks	Low-Noise and Spur-Free 3.3V, 130mA
5V Power Supply	Input	J8 and J9 Banana Jacks	Low-Noise and Spur-Free 5V, 33mA
REF+ IN, Reference Frequency	Input	J1 SMA Connector	Low-Noise 100MHz*, 6dBm to 10dBm into 50Ω, See Note Below
RF+ and RF-	Two Outputs	J4 and J5 SMA Connectors**	Frequency: 907MHz*, Power: 0dBm, Frequency Range: Depends on the Version of the LTC6948 Device – Refer to Table 1
Loop Bandwidth	–	Set by Loop Filter Component Values	Approximately 160kHz* Depending on the DC1959A Version

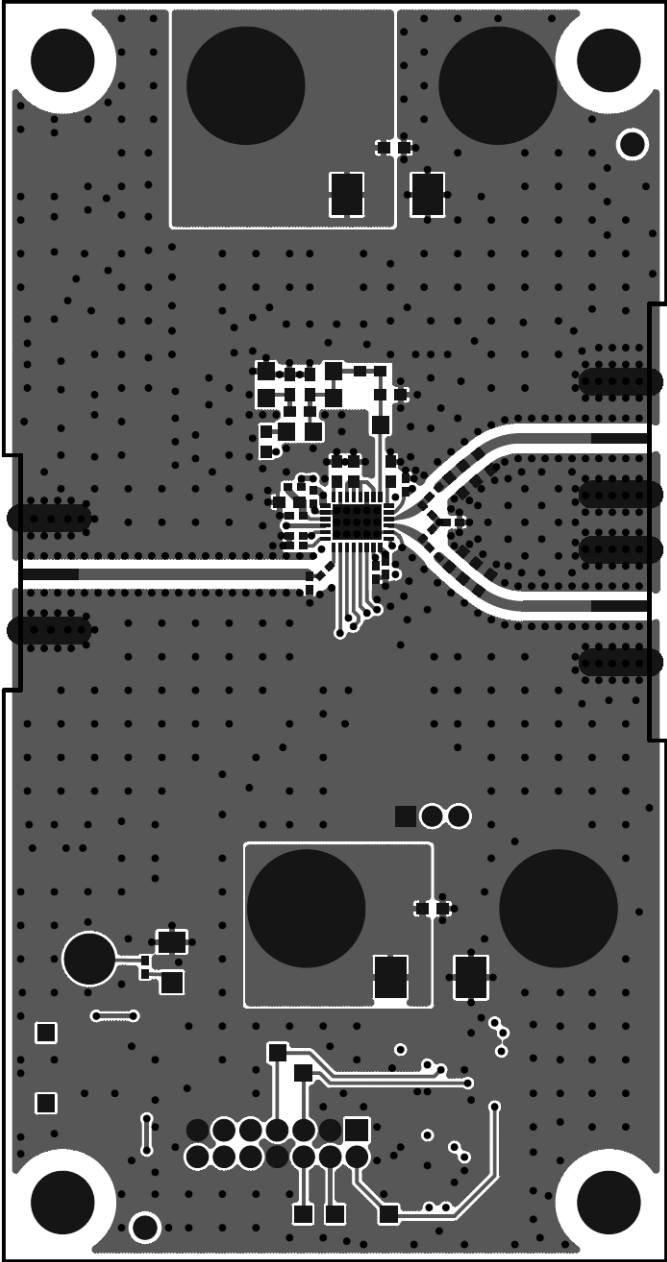
*These frequencies are for the DC1959A fracset files included with FracNWizard.

** Any unused RF output must be terminated with 50Ω, or poor spurious performance may result.

Note: A low noise 100MHz reference frequency, such as the Wenzel 501-04516D OCXO, is recommended. If using a different frequency, make sure to update the Fref and R_DIV boxes under the System tab in FracNWizard so that Fpfd is still 50MHz. For example, if a 250MHz clock is used, Fref should be changed to 250MHz and R_DIV to 5. Ref BST and FILT under the System tab in FracNWizard might need to be changed if the reference frequency and/or power is different than what is recommended in the table above. More information can be found in the LTC6948 data sheet.

PCB LAYOUT

The top metal layer of the DC1959A is shown here as an example of good PCB layout for the LTC6948.



DEMO MANUAL DC1959A

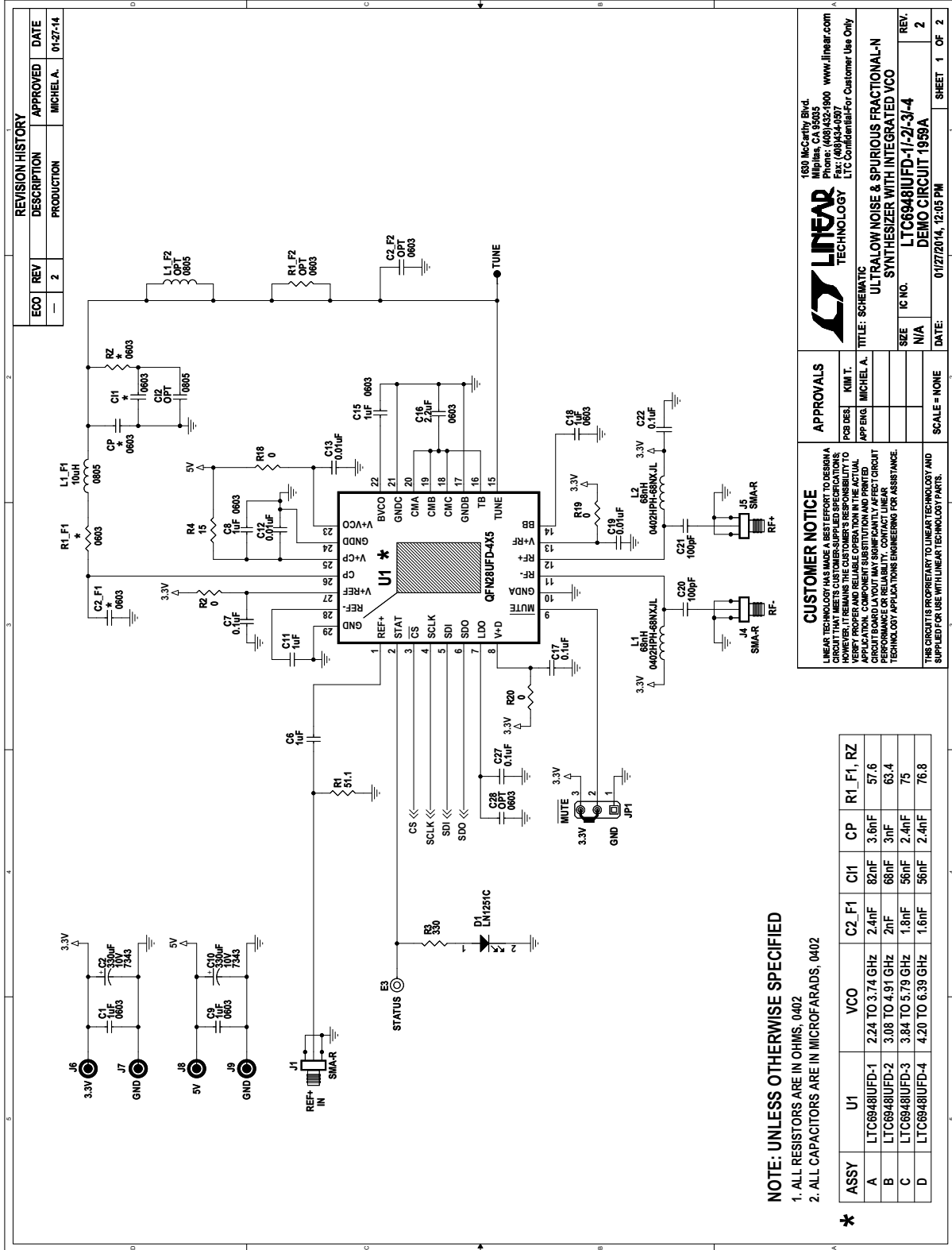
PARTS LIST

ITEM	QTY	REFERENCE	PART DESCRIPTION	MANUFACTURER/PART NUMBER
Required Circuit Components				
1	0	C12	CAP., 0805	OPT
2	5	C1, C8, C9, C15, C18	CAP., X7R, 1.0 μ F, 16V, 10%, 0603	TDK, C1608X7R1C105K
3	2	C2, C10	CAP., TANT., 330 μ F, 10V, 10%, 7343	AVX, TPME337K010R0035
4	9	C3, C7, C17, C22-C27	CAP., X7R, 0.1 μ F, 10V, 10%, 0402	TDK, C1005X7R1A104K
5	2	C6, C11	CAP., X5R, 1.0 μ F, 16V, 10%, 0402	TDK, C1005X5R1C105K
6	3	C12, C13, C19	CAP., X7R, 0.01 μ F, 16V, 10%, 0402	AVX, 0402YC103KAT2A
7	1	C16	CAP., X5R, 2.2 μ F, 16V, 10%, 0603	TDK, C1608X5R1C225K
8	0	C2_F2, C28	CAP., 0603	OPT
9	2	C20, C21	CAP., X7R, 100pF, 50V, 10%, 0402	AVX, 04025C101KAT2A
10	1	D1	LED, RED	PANASONIC, LN1251C-TR
11	1	E3	TURRET, TESTPOINT, 2501	MILL-MAX, 2501-2-00-80-00-00-07-0
12	1	JP1	HEADERS, 3 PINS 2mm CTRS.	SAMTEC, TMM-103-02-L-S
13	3	J1, J4, J5	CON., SMA 50 Ω EDGE-LAUNCH	E.F. JOHNSON, 142-0701-851
14	1	J2	CON., HEADER, 14 PIN, 2mm	MOLEX, 87831-1420
15	4	J6, J7, J8, J9	JACK, BANANA	KEYSTONE, 575-4
16	2	L1, L2	IND., 68nH 5%, 0402	COILCRAFT, 0402HPH-68NXJLW
17	1	L1_F1	IND., 10 μ H, 0805	TDK, MLF2012E100K
18	0	L1_F2	IND., 0805	OPT
19	1	R1	RES., CHIP, 51.1 Ω , 1/16W, 1%, 0402	NIC, NRC04F51R1TRF
20	0	R1_F2	RES., 0603	OPT
21	4	R2, R18, R19, R20	RES., CHIP, 0 Ω , 0402	NIC, NRC04Z0TRF
22	1	R3	RES., CHIP, 330 Ω , 1/16W, 1%, 0402	NIC, NRC04F3300TRF
23	1	R4	RES., CHIP, 15 Ω , 1/16W, 1%, 0402	NIC, NRC04F15R0TRF
24	4	R5, R6, R7, R13	RES., CHIP, 200k, 1/16W, 1%, 0402	NIC, NRC04F2003TRF
25	3	R8, R9, R14	RES., CHIP, 4.99k, 1/16W, 1%, 0402	NIC, NRC04F4991TRF
26	3	R10, R11, R12	RES., CHIP, 100 Ω 1/16W, 5%, 0402	NIC, NRC04J101TRF
27	1	R15	RES., CHIP, 0 Ω , 0603	NIC, NRC06Z0TRF
28	2	U2, U3	I.C., DUAL BUFFER, SC70-6	FAIRCHILD SEMI., NC7WZ17P6X
29	1	U4	I.C., DUAL TRANSCEIVER, SOT363	NXP, 74LVC1T45GW+125
30	1	U5	I.C., SERIAL EEPROM, TSSOP8	MICROCHIP, 24LC025-I /ST
31	1	SHUNT ON JP1	SHUNT, 2mm CTRS.	SAMTEC 2SN-BK-G

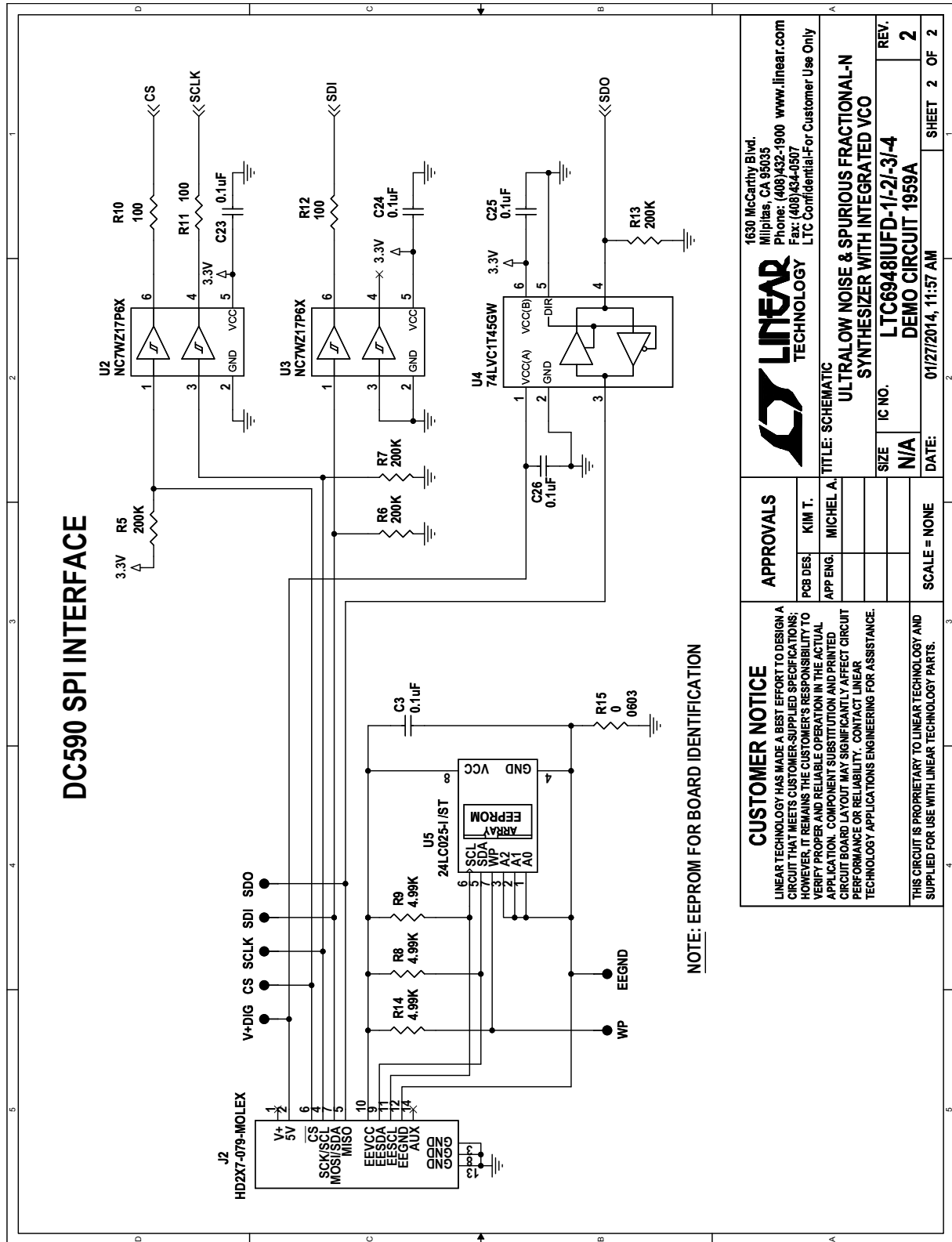
PARTS LIST

ITEM	QTY	REFERENCE	PART DESCRIPTION	MANUFACTURER/PART NUMBER
DC1959A-A Required Circuit Components				
1	1		DC1959A GENERAL BOM	
2	1	C2_F1	CAP., COG, 2.4nF, 50V, 5%, 0603	MURATA, GRM1885C1H242JA01D
3	1	CI1	CAP., X7R, 82nF, 50V, 10%, 0603	MURATA, GRM188R71H823KA93D
4	1	CP	CAP., COG, 3.6nF, 50V, 5%, 0603	MURATA, GRM1885C1H362JA01D
5	2	R1_F1, RZ	RES., CHIP, 57.6Ω, 1/16W, 1%, 0603	NIC, NRC06F57R6TRF
6	1	U1	I.C. SYNTHESIZER, QFN28UFD-4X5	LINEAR TECH., LTC6948IUFD-1
DC1959A-B Required Circuit Components				
1	1		DC1959A GENERAL BOM	
2	1	C2_F1	CAP., COG, 2nF, 50V, 5%, 0603	MURATA, GRM1885C1H202JA01D
3	1	CI1	CAP., X7R, 68nF, 50V, 10%, 0603	MURATA, GRM188R71H683KA93D
4	1	CP	CAP., COG, 3nF, 50V, 5%, 0603	MURATA, GRM1885C1H302JA01D
5	2	R1_F1, RZ	RES., CHIP, 63.4Ω, 1/16W, 1%, 0603	NIC, NRC06F63R4TRF
6	1	U1	I.C. SYNTHESIZER, QFN28UFD-4X5	LINEAR TECH., LTC6948IUFD-2
DC1959A-C Required Circuit Components				
1	1		DC1959A GENERAL BOM	
2	1	C2_F1	CAP., X7R, 1.8nF, 50V, 10%, 0603	MURATA, GRM188R71H182KA01D
3	1	CI1	CAP., X7R, 56nF, 50V, 10%, 0603	MURATA, GRM188R71H563KA93D
4	1	CP	CAP., COG, 2.4nF, 50V, 5%, 0603	MURATA, GRM1885C1H242JA01D
5	2	R1_F1, RZ	RES., CHIP, 75Ω, 1/16W, 5%, 0603	VISHAY, CRCW060375R0JNEA
6	1	U1	I.C. SYNTHESIZER, QFN28UFD-4X5	LINEAR TECH., LTC6948IUFD-3
DC1959A-D Required Circuit Components				
1	1		DC1959A GENERAL BOM	
2	1	C2_F1	CAP., COG, 1.6nF, 50V, 5%, 0603	MURATA, GRM1885C1H162JA01D
3	1	CI1	CAP., X7R, 56nF, 50V, 10%, 0603	MURATA, GRM188R71H563KA93D
4	1	CP	CAP., COG, 2.4nF, 50V, 5%, 0603	MURATA, GRM1885C1H242JA01D
5	2	R1_F1, RZ	RES., CHIP, 76.8Ω, 1/16W, 1%, 0603	NIC, NRC06F76R8TRF
6	1	U1	I.C. SYNTHESIZER, QFN28UFD-4X5	LINEAR TECH., LTC6948IUFD-4

SCHEMATIC DIAGRAM



SCHEMATIC DIAGRAM



<p>1630 McCarthy Blvd. Milpitas, CA 95035 Phone: (408)432-1900 www.linear.com Fax: (408)434-0507 LTC Confidential-For Customer Use Only</p>	
<p>TITLE: SCHEMATIC ULTRALOW NOISE & SPURIOUS FRACTIONAL-N SYNTHESIZER WITH INTEGRATED VCO</p>	
SIZE	LTC6948IUF-1/-2/-3/-4
IC NO.	REV. 2
N/A	DEMO CIRCUIT 1959A
DATE:	01/27/2014, 11:57 AM
SHEET	2 OF 2

APPROVALS	
PCB DES:	KIM T.
APP ENG:	MICHEL A.
SCALE:	NONE

<p>CUSTOMER NOTICE LINEAR TECHNOLOGY HAS MADE A BEST EFFORT TO DESIGN A CIRCUIT THAT MEETS CUSTOMER-SUPPLIED SPECIFICATIONS; HOWEVER, IT REMAINS THE CUSTOMER'S RESPONSIBILITY TO VERIFY PROPER AND RELIABLE OPERATION IN THE ACTUAL APPLICATION. COMPONENT SUBSTITUTION AND PRINTED CIRCUIT BOARD LAYOUT MAY SIGNIFICANTLY AFFECT CIRCUIT PERFORMANCE OR RELIABILITY. CONTACT LINEAR TECHNOLOGY APPLICATIONS ENGINEERING FOR ASSISTANCE.</p>	<p>THIS CIRCUIT IS PROPRIETARY TO LINEAR TECHNOLOGY AND SUPPLIED FOR USE WITH LINEAR TECHNOLOGY PARTS.</p>
--	--

Note: The buffers shown on sheet 2 of 2 of the schematic are used to protect the LTC6948 when connected to the DC590 before the LTC6948 is powered up. There is no need for such circuitry if the SPI bus is not active before powering up the LTC6948. The EEPROM is for identification and is not needed to program the LTC6948.



Information furnished by Linear Technology Corporation is believed to be accurate and reliable. However, no responsibility is assumed for its use. Linear Technology Corporation makes no representation that the interconnection of its circuits as described herein will not infringe on existing patent rights.

DEMO MANUAL DC1959A

DEMONSTRATION BOARD IMPORTANT NOTICE

Linear Technology Corporation (LTC) provides the enclosed product(s) under the following **AS IS** conditions:

This demonstration board (DEMO BOARD) kit being sold or provided by Linear Technology is intended for use for **ENGINEERING DEVELOPMENT OR EVALUATION PURPOSES ONLY** and is not provided by LTC for commercial use. As such, the DEMO BOARD herein may not be complete in terms of required design-, marketing-, and/or manufacturing-related protective considerations, including but not limited to product safety measures typically found in finished commercial goods. As a prototype, this product does not fall within the scope of the European Union directive on electromagnetic compatibility and therefore may or may not meet the technical requirements of the directive, or other regulations.

If this evaluation kit does not meet the specifications recited in the DEMO BOARD manual the kit may be returned within 30 days from the date of delivery for a full refund. **THE FOREGOING WARRANTY IS THE EXCLUSIVE WARRANTY MADE BY THE SELLER TO BUYER AND IS IN LIEU OF ALL OTHER WARRANTIES, EXPRESSED, IMPLIED, OR STATUTORY, INCLUDING ANY WARRANTY OF MERCHANTABILITY OR FITNESS FOR ANY PARTICULAR PURPOSE. EXCEPT TO THE EXTENT OF THIS INDEMNITY, NEITHER PARTY SHALL BE LIABLE TO THE OTHER FOR ANY INDIRECT, SPECIAL, INCIDENTAL, OR CONSEQUENTIAL DAMAGES.**

The user assumes all responsibility and liability for proper and safe handling of the goods. Further, the user releases LTC from all claims arising from the handling or use of the goods. Due to the open construction of the product, it is the user's responsibility to take any and all appropriate precautions with regard to electrostatic discharge. Also be aware that the products herein may not be regulatory compliant or agency certified (FCC, UL, CE, etc.).

No License is granted under any patent right or other intellectual property whatsoever. **LTC assumes no liability for applications assistance, customer product design, software performance, or infringement of patents or any other intellectual property rights of any kind.**

LTC currently services a variety of customers for products around the world, and therefore this transaction **is not exclusive**.

Please read the DEMO BOARD manual prior to handling the product. Persons handling this product must have electronics training and observe good laboratory practice standards. **Common sense is encouraged.**

This notice contains important safety information about temperatures and voltages. For further safety concerns, please contact a LTC application engineer.

Mailing Address:

Linear Technology
1630 McCarthy Blvd.
Milpitas, CA 95035

Copyright © 2004, Linear Technology Corporation



Компания «ЭлектроПласт» предлагает заключение долгосрочных отношений при поставках импортных электронных компонентов на взаимовыгодных условиях!

Наши преимущества:

- Оперативные поставки широкого спектра электронных компонентов отечественного и импортного производства напрямую от производителей и с крупнейших мировых складов;
- Поставка более 17-ти миллионов наименований электронных компонентов;
- Поставка сложных, дефицитных, либо снятых с производства позиций;
- Оперативные сроки поставки под заказ (от 5 рабочих дней);
- Экспресс доставка в любую точку России;
- Техническая поддержка проекта, помощь в подборе аналогов, поставка прототипов;
- Система менеджмента качества сертифицирована по Международному стандарту ISO 9001;
- Лицензия ФСБ на осуществление работ с использованием сведений, составляющих государственную тайну;
- Поставка специализированных компонентов (Xilinx, Altera, Analog Devices, Intersil, Interpoint, Microsemi, Aeroflex, Peregrine, Syfer, Eurofarad, Texas Instrument, Miteq, Cobham, E2V, MA-COM, Hittite, Mini-Circuits, General Dynamics и др.);

Помимо этого, одним из направлений компании «ЭлектроПласт» является направление «Источники питания». Мы предлагаем Вам помощь Конструкторского отдела:

- Подбор оптимального решения, техническое обоснование при выборе компонента;
- Подбор аналогов;
- Консультации по применению компонента;
- Поставка образцов и прототипов;
- Техническая поддержка проекта;
- Защита от снятия компонента с производства.



Как с нами связаться

Телефон: 8 (812) 309 58 32 (многоканальный)

Факс: 8 (812) 320-02-42

Электронная почта: org@eplast1.ru

Адрес: 198099, г. Санкт-Петербург, ул. Калинина, дом 2, корпус 4, литера А.