

#### FEATURES

- 12-Bit Resolution and Accuracy**
- Fast Conversion Time**
  - AD7572XX05: 5 $\mu$ s
  - AD7572XX12: 12.5 $\mu$ s
- Complete with On-Chip Reference**
- Fast Bus Access Time: 90ns**
- Low Power: 135mW**
- Small, 0.3", 24-Pin Package**  
and 28-Terminal Surface Mount Packages

#### GENERAL DESCRIPTION

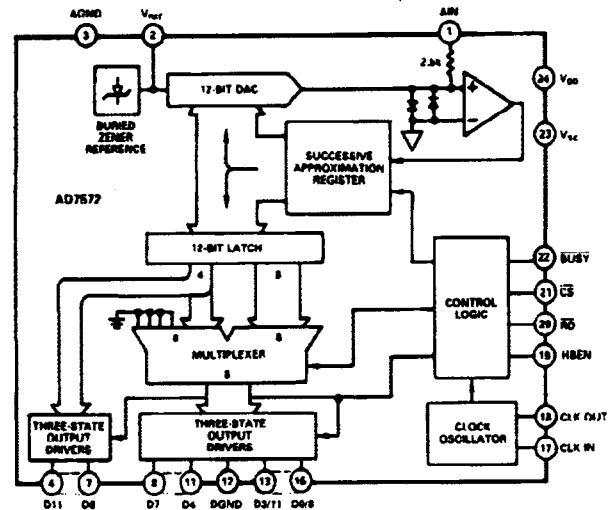
The AD7572 is a complete, 12-bit ADC that offers high speed performance combined with low, CMOS power levels. The AD7572 uses an accurate, high speed DAC and comparator in a successive-approximation loop to achieve a fast conversion time. An on-chip, buried Zener diode provides a stable reference voltage to give low drift performance over the full temperature range and the specified accuracy is achieved without any user trims. An on-chip clock circuit is provided, which may be used with a crystal for stand-alone operation, or the clock input may be driven from an external clock source such as a divided-down microprocessor clock. The only other external components required for basic operation of the AD7572 are decoupling capacitors for the supply voltages and reference output.

The AD7572 has a high speed digital interface with three-state data outputs and can operate under the control of standard microprocessor Read ( $\overline{RD}$ ) and decoded address ( $\overline{CS}$ ) signals. Interface timing is sufficiently fast to allow the AD7572 to operate with most popular microprocessors, with three-state enable times of only 90ns and bus relinquish times of 75ns.

The AD7572 is fabricated in Analog Devices Linear Compatible CMOS process (LC<sup>2</sup>MOS), an advanced, all ion-implanted process that combines fast CMOS logic and linear, bipolar circuits on a single chip, thus achieving excellent linear performance while still retaining low CMOS power levels.

The AD7572 is available in both 0.3" wide, 24-pin DIPs and in a 28-terminal plastic leaded chip carrier (PLCC) and leadless ceramic chip carrier (LCCC).

#### FUNCTIONAL BLOCK DIAGRAM



#### PRODUCT HIGHLIGHTS

1. Fast, 5 $\mu$ s and 12.5 $\mu$ s conversion times make the AD7572 ideal for a wide range of applications in telecommunications, sonar and radar signal processing or any wideband data acquisition system.
2. On-chip buried-Zener reference has temperature coefficient as low as 25ppm/ $^{\circ}$ C, giving low full-scale drift over the operating temperature range.
3. Stable DAC and comparator give excellent linearity and low zero error over the full temperature range.
4. Fast, easy-to-use digital interface has three-state bus access times of 90ns and bus relinquish times of 75ns, allowing the AD7572 to interface to most popular microprocessors.
5. LC<sup>2</sup>MOS circuitry gives low power drain (135mW) from +5, -15 volt supplies.
6. 24-pin 0.3" package offers space saving over parts in 28-pin 0.6" DIP.

#### REV. A

Information furnished by Analog Devices is believed to be accurate and reliable. However, no responsibility is assumed by Analog Devices for its use, nor for any infringements of patents or other rights of third parties which may result from its use. No license is granted by implication or otherwise under any patent or patent rights of Analog Devices.

# AD7572—SPECIFICATIONS

( $V_{DD} = 5V \pm 5\%$ ,  $V_{SS} = -15V \pm 5\%$ ,  $f_{CLK} = 2.5MHz$  for AD7572XX05, 1MHz for AD7572XX12. All Specifications  $T_{min}$  to  $T_{max}$  unless otherwise noted. Specifications apply to Slow Memory Mode.)

| Parameter  | J, A, S Versions <sup>1</sup> | K, B, T Versions | L Version | C, U Versions | Units         | Test Conditions/Comments   |
|--|-------------------------------|------------------|-----------|---------------|---------------|--|
| <b>ACCURACY</b>  |                               |                  |           |               |               |  |
| Resolution   | 12                            | 12               | 12        | 12            | Bits          |  |
| Integral Nonlinearity @ +25°C                                  | ±1                            | ±1               | ±1/2      | ±1/2          | LSB max       |  |
| $T_{min}$ to $T_{max}$   | ±1                            | ±1               | ±1/2      | ±3/4          | LSB max       |  |
| Differential Nonlinearity                                      | ±1                            | ±1               | ±1        | ±1            | LSB max       |  |
| Minimum Resolution for which no Missing Codes are Guaranteed   | 12                            | 12               | 12        | 12            | Bits          |  |
| Offset Error @ +25°C   | ±4                            | ±3               | ±3        | ±3            | LSB max       |  |
| $T_{min}$ to $T_{max}$   | ±6                            | ±5               | ±4        | ±4            | LSB max       |  |
| Full Scale (FS) Error <sup>2</sup> @ +25°C                     | ±15                           | ±10              | ±10       | ±10           | LSB max       | Typical Change over Temp Is ±1LSB  |
| Full Scale TC <sup>3,4</sup>                                   | 45                            | 25               | 25        | 25            | ppm/°C max    | $V_{DD} = 5V$ ; $V_{SS} = -15V$ ; FS = 5V<br>Ideal Last Code Transition = FS - 3/2LSBs |
| <b>ANALOG INPUT</b>  |                               |                  |           |               |               |  |
| Input Voltage Range  | 0 to +5                       | 0 to +5          | 0 to +5   | 0 to +5       | Volts         | For Bipolar Operation See Figures 10 & 12  |
| Input Current  | 3.5                           | 3.5              | 3.5       | 3.5           | mA max        |  |
| <b>INTERNAL REFERENCE VOLTAGE</b>                              |                               |                  |           |               |               |  |
| $V_{REF}$ Output @ +25°C                                       | -5.2/-5.3                     | -5.2/-5.3        | -5.2/-5.3 | -5.2/-5.3     | V min/V max   | -5.25V ±1%   |
| $V_{REF}$ Output TC  | 40                            | 20               | 20        | 20            | ppm/°C typ    |  |
| Output Current Sink Capability                                 | 550                           | 550              | 550       | 550           | μA max        | External Load Should Not Change During Conversion                                      |
| <b>POWER SUPPLY REJECTION</b>                                  |                               |                  |           |               |               |  |
| $V_{DD}$ Only  | ±1/2                          | ±1/2             | ±1/2      | ±1/2          | LSB typ       | FS Change, $V_{SS} = -15V$<br>$V_{DD} = +4.75V$ to $+5.25V$                            |
| $V_{SS}$ Only  | ±1/2                          | ±1/2             | ±1/2      | ±1/2          | LSB typ       | FS Change, $V_{DD} = 5V$<br>$V_{SS} = -14.25V$ to $-15.75V$                            |
| <b>LOGIC INPUTS</b>  |                               |                  |           |               |               |  |
| $\overline{CS}$ , $\overline{RD}$ , $\overline{HBEN}$ , CLK IN |                               |                  |           |               |               |  |
| $V_{INL}$ , Input Low Voltage                                  | +0.8                          | +0.8             | +0.8      | +0.8          | V max         | $V_{DD} = 5V \pm 5\%$  |
| $V_{INH}$ , Input High Voltage                                 | +2.4                          | +2.4             | +2.4      | +2.4          | V min         |  |
| $C_{IN}$ , <sup>5</sup> Input Capacitance                      | 10                            | 10               | 10        | 10            | pF max        |  |
| $\overline{CS}$ , $\overline{RD}$ , $\overline{HBEN}$          |                               |                  |           |               |               |  |
| $I_{IN}$ , Input Current                                       | ±10                           | ±10              | ±10       | ±10           | μA max        | $V_{IN} = 0$ to $V_{DD}$   |
| CLK IN   |                               |                  |           |               |               |  |
| $I_{IN}$ , Input Current                                       | ±20                           | ±20              | ±20       | ±20           | μA max        | $V_{IN} = 0$ to $V_{DD}$   |
| <b>LOGIC OUTPUTS</b>   |                               |                  |           |               |               |  |
| D11-D0/8, $\overline{BUSY}$ , CLK OUT                          |                               |                  |           |               |               |  |
| $V_{OL}$ , Output Low Voltage                                  | +0.4                          | +0.4             | +0.4      | +0.4          | V max         | $I_{SINK} = 1.6mA$   |
| $V_{OH}$ , Output High Voltage                                 | +4.0                          | +4.0             | +4.0      | +4.0          | V min         | $I_{SOURCE} = 200\mu A$  |
| D11-D0/8   |                               |                  |           |               |               |  |
| Floating State Leakage Current                                 | ±10                           | ±10              | ±10       | ±10           | μA max        |  |
| Floating State Output Capacitance <sup>5</sup>                 | 15                            | 15               | 15        | 15            | pF max        |  |
| <b>CONVERSION TIME</b>   |                               |                  |           |               |               |  |
| <b>AD7572XX05</b>  |                               |                  |           |               |               |  |
| Synchronous Clock  | 5                             | 5                | 5         | 5             | μs max        | $f_{CLK} = 2.5MHz$ . See Under Control Inputs Synchronization                          |
| Asynchronous Clock   | 4.8/5.2                       | 4.8/5.2          | 4.8/5.2   | 4.8/5.2       | μs min/max    |  |
| <b>AD7572XX12</b>  |                               |                  |           |               |               |  |
| Synchronous Clock  | 12.5                          | 12.5             | 12.5      | 12.5          | μs max        | $f_{CLK} = 1MHz$   |
| Asynchronous Clock   | 12/13                         | 12/13            | 12/13     | 12/13         | μs min/μs max |  |
| <b>POWER REQUIREMENTS</b>                                      |                               |                  |           |               |               |  |
| $V_{DD}$   | +5                            | +5               | +5        | +5            | V NOM         | ±5% for Specified Performance  |
| $V_{SS}$   | -15                           | -15              | -15       | -15           | V NOM         | ±5% for Specified Performance  |
| $I_{DD}$ <sup>6</sup>  | 7                             | 7                | 7         | 7             | mA max        | $\overline{CS} = \overline{RD} = V_{DD}$ , $A_{IN} = 5V$                               |
| $I_{SS}$ <sup>6</sup>  | 12                            | 12               | 12        | 12            | mA max        | $\overline{CS} = \overline{RD} = V_{DD}$ , $A_{IN} = 5V$                               |
| Power Dissipation  | 135                           | 135              | 135       | 135           | mW typ        |  |
|  | 215                           | 215              | 215       | 215           | mW max        |  |

## NOTES

<sup>1</sup>Temperature range as follows: J, K, L Versions; 0 to +70°C.

A, B, C Versions; -25°C to +85°C.

S, T, U Versions; -55°C to +125°C.

<sup>2</sup>Includes internal voltage reference error.

<sup>3</sup>Full-Scale TC =  $\Delta FS/\Delta T$ , where  $\Delta FS$  is Full-Scale change from  $T_A = +25^\circ C$  to  $T_{max}$  or  $T_{min}$ .

<sup>4</sup>Includes internal voltage reference drift.

<sup>5</sup>Sample tested to ensure compliance.

<sup>6</sup>Power supply current is measured when AD7572 is inactive, i.e.,  $\overline{CS} = \overline{RD} = \overline{BUSY} = HIGH$ .

Specifications subject to change without notice.

**TIMING CHARACTERISTICS<sup>1</sup>** ( $V_{DD} = 5V, V_{SS} = -15V$ )

| Parameter | Limit at +25°C<br>(All Grades) | Limit at $T_{min}, T_{max}$<br>(J, K, L, A, B, C Grades) | Limit at $T_{min}, T_{max}$<br>(S, T, U Grades) | Units  | Conditions/Comments                                    |
|-----------|--------------------------------|--|---|--------|--|
| $t_1$     | 0                              | 0  | 0   | ns min | $\overline{CS}$ to $\overline{RD}$ Setup Time          |
| $t_2$     | 190                            | 230  | 270   | ns max | $\overline{RD}$ to $\overline{BUSY}$ Propagation Delay |
| $t_3^2$   | 90                             | 110  | 120   | ns max | Data Access Time after $\overline{RD}$ , $C_L = 20pF$  |
|           | 125                            | 150  | 170   | ns max | Data Access Time after $\overline{RD}$ , $C_L = 100pF$ |
| $t_4$     | $t_3$                          | $t_3$  | $t_3$   | ns min | $\overline{RD}$ Pulse Width                            |
| $t_5$     | 0                              | 0  | 0   | ns min | $\overline{CS}$ to $\overline{RD}$ Hold Time           |
| $t_6^2$   | 70                             | 90   | 100   | ns max | Data Setup Time after $\overline{BUSY}$                |
| $t_7^3$   | 20                             | 20   | 20  | ns min | Bus Relinquish Time                                    |
|           | 75                             | 85   | 90  | ns max |  |
| $t_8$     | 0                              | 0  | 0   | ns min | HBEN to $\overline{RD}$ Setup Time                     |
| $t_9$     | 0                              | 0  | 0   | ns min | HBEN to $\overline{RD}$ Hold Time                      |
| $t_{10}$  | 200                            | 200  | 200   | ns min | Delay Between Successive Read Operations               |

**NOTES**

<sup>1</sup>Timing Specifications are sample tested at +25°C to ensure compliance. All input control signals are specified with  $t_r = t_f = 5ns$  (10% to 90% of +5V) and timed from a voltage level of 1.6V.

<sup>2</sup> $t_3$  and  $t_6$  are measured with the load circuits of Figure 1 and defined as the time required for an output to cross 0.8V or 2.4V.

<sup>3</sup> $t_7$  is defined as the time required for the data lines to change 0.5V when loaded with the circuits of Figure 2.

Specifications subject to change without notice.

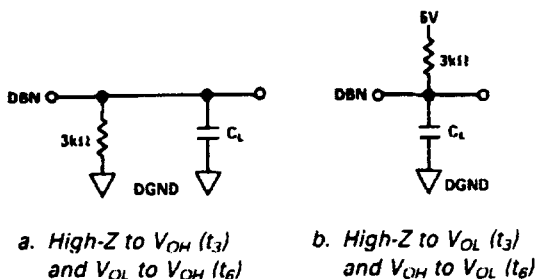


Figure 1. Load Circuits for Access Time

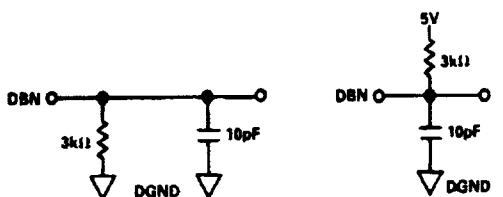


Figure 2. Load Circuits for Output Float Delay

**ABSOLUTE MAXIMUM RATINGS\***

( $T_A = +25^\circ C$  unless otherwise noted)

- $V_{DD}$  to DGND . . . . . -0.3V to +7V
- $V_{SS}$  to DGND . . . . . +0.3V to -17V
- AGND to DGND . . . . . -0.3V,  $V_{DD} + 0.3V$
- AIN to AGND . . . . . -15V to +15V
- Digital Input Voltage to DGND  
(CLK IN, HBEN,  $\overline{RD}$ ,  $\overline{CS}$ ) . . . . . -0.3V,  $V_{DD} + 0.3V$
- Digital Output Voltage to DGND  
(D11-D0/8, CLK OUT,  $\overline{BUSY}$ ) . . . . . -0.3V,  $V_{DD} + 0.3V$
- Operating Temperature Range
  - Commercial (J, K, L Versions) . . . . . 0 to +70°C
  - Industrial (A, B, C Versions) . . . . . -25°C to +85°C
  - Extended (S, T, U Versions) . . . . . -55°C to +125°C
- Storage Temperature . . . . . -65°C to +150°C
- Lead Temperature (Soldering, 10secs) . . . . . +300°C
- Power Dissipation (Any Package) to +75°C . . . . . 1,000mW
- Derates above +75°C by . . . . . 10mW/°C

\*Stress above those listed under "Absolute Maximum Ratings" may cause permanent damage to the device. This is a stress rating only and functional operation of the device at these or any other condition above those indicated in the operational sections of this specification is not implied. Exposure to absolute maximum rating conditions for extended periods may affect device reliability.

**CAUTION**

ESD (electrostatic discharge) sensitive device. The digital control inputs are diode protected; however, permanent damage may occur on unconnected devices subject to high energy electrostatic fields. Unused devices must be stored in conductive foam or shunts. The protective foam should be discharged to the destination socket before devices are removed.



# AD7572

## ORDERING GUIDE<sup>1</sup>

| Model <sup>2</sup> | Conversion Time | Temperature Range | Full-Scale TC | Accuracy Grade | Package Option <sup>3</sup> |
|--------------------|-----------------|-------------------|---------------|----------------|-----------------------------|
| AD7572JN05         | 5 $\mu$ s       | 0 to +70°C        | 45ppm/°C      | ±1LSB          | N-24                        |
| AD7572KN05         | 5 $\mu$ s       | 0 to +70°C        | 25ppm/°C      | ±1LSB          | N-24                        |
| AD7572LN05         | 5 $\mu$ s       | 0 to +70°C        | 25ppm/°C      | ±1/2LSB        | N-24                        |
| AD7572JP05         | 5 $\mu$ s       | 0 to +70°C        | 45ppm/°C      | ±1LSB          | P-28A                       |
| AD7572KP05         | 5 $\mu$ s       | 0 to +70°C        | 25ppm/°C      | ±1LSB          | P-28A                       |
| AD7572LP05         | 5 $\mu$ s       | 0 to +70°C        | 25ppm/°C      | ±1/2LSB        | P-28A                       |
| AD7572AQ05         | 5 $\mu$ s       | -25°C to +85°C    | 45ppm/°C      | ±1LSB          | Q-24                        |
| AD7572BQ05         | 5 $\mu$ s       | -25°C to +85°C    | 25ppm/°C      | ±1LSB          | Q-24                        |
| AD7572CQ05         | 5 $\mu$ s       | -25°C to +85°C    | 25ppm/°C      | ±1/2LSB        | Q-24                        |
| AD7572SQ05         | 5 $\mu$ s       | -55°C to +125°C   | 45ppm/°C      | ±1LSB          | Q-24                        |
| AD7572TQ05         | 5 $\mu$ s       | -55°C to +125°C   | 25ppm/°C      | ±1LSB          | Q-24                        |
| AD7572UQ05         | 5 $\mu$ s       | -55°C to +125°C   | 25ppm/°C      | ±1/2LSB        | Q-24                        |
| AD7572SE05         | 5 $\mu$ s       | -55°C to +125°C   | 45ppm/°C      | ±1LSB          | E-28A                       |
| AD7572TE05         | 5 $\mu$ s       | -55°C to +125°C   | 25ppm/°C      | ±1LSB          | E-28A                       |
| AD7572UE05         | 5 $\mu$ s       | -55°C to +125°C   | 25ppm/°C      | ±1/2LSB        | E-28A                       |
| AD7572JN12         | 12.5 $\mu$ s    | 0 to +70°C        | 45ppm/°C      | ±1LSB          | N-24                        |
| AD7572KN12         | 12.5 $\mu$ s    | 0 to +70°C        | 25ppm/°C      | ±1LSB          | N-24                        |
| AD7572LN12         | 12.5 $\mu$ s    | 0 to +70°C        | 25ppm/°C      | ±1/2LSB        | N-24                        |
| AD7572JP12         | 12.5 $\mu$ s    | 0 to +70°C        | 45ppm/°C      | ±1LSB          | P-28A                       |
| AD7572KP12         | 12.5 $\mu$ s    | 0 to +70°C        | 25ppm/°C      | ±1LSB          | P-28A                       |
| AD7572LP12         | 12.5 $\mu$ s    | 0 to +70°C        | 25ppm/°C      | ±1/2LSB        | P-28A                       |
| AD7572AQ12         | 12.5 $\mu$ s    | -25°C to +85°C    | 45ppm/°C      | ±1LSB          | Q-24                        |
| AD7572BQ12         | 12.5 $\mu$ s    | -25°C to +85°C    | 25ppm/°C      | ±1LSB          | Q-24                        |
| AD7572CQ12         | 12.5 $\mu$ s    | -25°C to +85°C    | 25ppm/°C      | ±1/2LSB        | Q-24                        |
| AD7572SQ12         | 12.5 $\mu$ s    | -55°C to +125°C   | 45ppm/°C      | ±1LSB          | Q-24                        |
| AD7572TQ12         | 12.5 $\mu$ s    | -55°C to +125°C   | 25ppm/°C      | ±1LSB          | Q-24                        |
| AD7572UQ12         | 12.5 $\mu$ s    | -55°C to +125°C   | 25ppm/°C      | ±1/2LSB        | Q-24                        |
| AD7572SE12         | 12.5 $\mu$ s    | -55°C to +125°C   | 45ppm/°C      | ±1LSB          | E-28A                       |
| AD7572TE12         | 12.5 $\mu$ s    | -55°C to +125°C   | 25ppm/°C      | ±1LSB          | E-28A                       |
| AD7572UE12         | 12.5 $\mu$ s    | -55°C to +125°C   | 25ppm/°C      | ±1/2LSB        | E-28A                       |

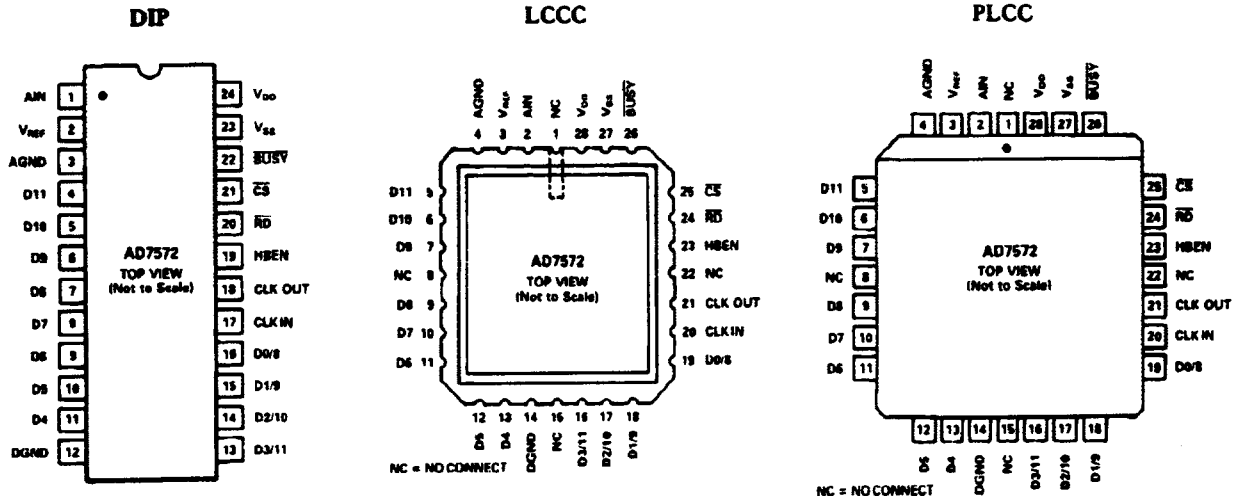
### NOTES

<sup>1</sup>Analog Devices Reserves the right to ship ceramic (D-24A) in lieu cerdip (Q-24) hermetic package.

<sup>2</sup>To order MIL-STD-883, Class B processed parts, add /883B to part number. Contact your local sales office for military data sheet. For U.S. Standard Military Drawing (SMD) see DESC Drawing #5962-87591.

<sup>3</sup>D = Ceramic DIP; E = Leadless Ceramic Chip Carrier (LCCC); N = Plastic DIP; P = Plastic Leaded Chip Carrier (PLCC); Q = Cerdip.

## PIN CONFIGURATIONS



PIN FUNCTION DESCRIPTION

| DIP Pin No. | Mnemonic         | Description  |
|-------------|------------------|--|
| 1           | AIN              | Analog Input.  |
| 2           | V <sub>REF</sub> | Voltage Reference Output. The AD7572 has its own internal -5.25V reference.                            |
| 3           | AGND             | Analog Ground.   |
| 4 . . . 11  | D11 . . . D4     | Three State data outputs. They become active when $\overline{CS}$ and $\overline{RD}$ are brought low. |
| 13 . . . 16 | D3/11 . . . D0/8 | Individual pin function is dependent upon High Byte Enable (HBEN) Input.                               |

DATA BUS OUTPUT,  $\overline{CS}$  &  $\overline{RD}$  = LOW

|             | Pin 4 | Pin 5 | Pin 6 | Pin 7 | Pin 8 | Pin 9 | Pin 10 | Pin 11 | Pin 13 | Pin 14 | Pin 15 | Pin 16 |
|-------------|-------|-------|-------|-------|-------|-------|--------|--------|--------|--------|--------|--------|
| MNEMONIC*   | D11   | D10   | D9    | D8    | D7    | D6    | D5     | D4     | D3/11  | D2/10  | D1/9   | D0/8   |
| HBEN = LOW  | DB11  | DB10  | DB9   | DB8   | DB7   | DB6   | DB5    | DB4    | DB3    | DB2    | DB1    | DB0    |
| HBEN = HIGH | DB11  | DB10  | DB9   | DB8   | LOW   | LOW   | LOW    | LOW    | DB11   | DB10   | DB9    | DB8    |

NOTE

\*D11 . . . D0/8 are the ADC data output pins.  
DB11 . . . DB0 are the 12-bit conversion results, DB11 is the MSB.

|    |                   |  |
|----|-------------------|--|
| 12 | DGND              | Digital Ground.  |
| 17 | CLK IN            | Clock Input pin. An external TTL compatible clock may be applied to this pin. Alternatively a crystal or ceramic resonator may be connected between CLK IN (Pin 17) and CLK OUT (Pin 18).  |
| 18 | CLK OUT           | Clock Output Pin. An inverted CLK IN signal appears at CLK OUT when an external clock is used. See CLK IN (Pin 17) description for crystal (resonator).  |
| 19 | HBEN              | High Byte Enable input. Its primary function is to multiplex the 12-bits of conversion data onto the lower D7 . . . D0/8 outputs (4MSBs or 8 LSBs). See Pin description 4 . . . 11 and 13 . . . 16. It also disables conversion start when HBEN is high. |
| 20 | $\overline{RD}$   | READ input. This active LOW signal, in conjunction with $\overline{CS}$ is used to enable the output data three state drivers and initiate a conversion if $\overline{CS}$ and HBEN are low.   |
| 21 | $\overline{CS}$   | CHIP SELECT Input. This active LOW signal, in conjunction with $\overline{RD}$ is used to enable the output data three state drivers and initiate a conversion if $\overline{RD}$ and HBEN are low.  |
| 22 | $\overline{BUSY}$ | $\overline{BUSY}$ output indicates converter status. $\overline{BUSY}$ is LOW during conversion.   |
| 23 | V <sub>SS</sub>   | Negative Supply, -15V.   |
| 24 | V <sub>DD</sub>   | Positive Supply, +5V.  |

ORDERING INFORMATION<sup>1,2</sup>

CONVERSION TIME = 5μs

| Full-Scale TC                    | Accuracy Grade | Temperature Range and Package Options |                |                 |
|----------------------------------|----------------|---------------------------------------|----------------|-----------------|
|                                  |                | 0 to +70°C                            | -25°C to +85°C | -55°C to +125°C |
| 45ppm/°C<br>25ppm/°C<br>25ppm/°C | ± 1LSB         | AD7572JN05                            | AD7572AQ05     | AD7572SQ05      |
|                                  | ± 1LSB         | AD7572KN05                            | AD7572BQ05     | AD7572TQ05      |
|                                  | ± 1/2LSB       | AD7572LN05                            | AD7572CQ05     | AD7572UQ05      |
| 45ppm/°C<br>25ppm/°C<br>25ppm/°C | ± 1LSB         | AD7572JP05                            |                | AD7572SE05      |
|                                  | ± 1LSB         | AD7572KP05                            |                | AD7572TE05      |
|                                  | ± 1/2LSB       | AD7572LP05                            |                | AD7572UE05      |

CONVERSION TIME = 12.5μs

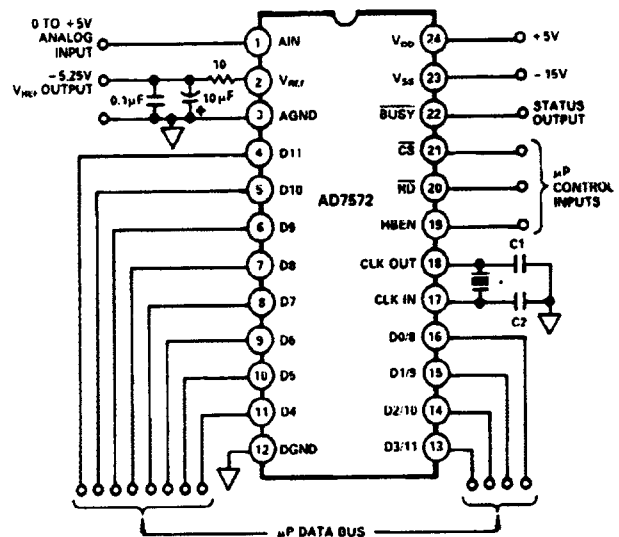
| Full-Scale TC                    | Accuracy Grade | Temperature Range and Package Options |                |                 |
|----------------------------------|----------------|---------------------------------------|----------------|-----------------|
|                                  |                | 0 to +70°C                            | -25°C to +85°C | -55°C to +125°C |
| 45ppm/°C<br>25ppm/°C<br>25ppm/°C | ± 1LSB         | AD7572JN12                            | AD7572AQ12     | AD7572SQ12      |
|                                  | ± 1LSB         | AD7572KN12                            | AD7572BQ12     | AD7572TQ12      |
|                                  | ± 1/2LSB       | AD7572LN12                            | AD7572CQ12     | AD7572UQ12      |
| 45ppm/°C<br>25ppm/°C<br>25ppm/°C | ± 1LSB         | AD7572JP12                            |                | AD7572SE12      |
|                                  | ± 1LSB         | AD7572KP12                            |                | AD7572TE12      |
|                                  | ± 1/2LSB       | AD7572LP12                            |                | AD7572UE12      |

NOTES

<sup>1</sup>To order MIL-STD-883, Class B processed parts, add /883 to part number. Contact your local sales office for military data sheet.  
<sup>2</sup>Analog Devices reserves the right to ship either cerdip or ceramic hermetic packages.  
<sup>3</sup>PLCC: Plastic Leaded Chip Carrier.  
<sup>4</sup>LCCC: Leadless Ceramic Chip Carrier.

OPERATIONAL DIAGRAM

An operational diagram for the AD7572 is shown in Figure 3. The AD7572 is a 12-bit successive approximation A/D converter. The addition of just a crystal/ceramic resonator and a few capacitors enables the device to perform the analog-to-digital function.



NOTES  
 AD7572XX05 - 2.5MHz CRYSTAL/CERAMIC RESONATOR.  
 AD7572XX12 - 1.0MHz CRYSTAL/CERAMIC RESONATOR.  
 C1 and C2 CAPACITANCE VALUES DEPEND ON CRYSTAL/CERAMIC RESONATOR MANUFACTURER. TYPICAL VALUES ARE FROM 20 to 100pF.

Figure 3. AD7572 Operational Diagram

# AD7572

## CONVERTER DETAILS

Conversion start is controlled by the  $\overline{CS}$ ,  $\overline{RD}$  and HBEN inputs. At the start of conversion the successive approximation register (SAR) is reset and the three-state data outputs are enabled. Once a conversion cycle has begun it cannot be re-started.

During conversion, the internal 12-bit voltage mode DAC output is sequenced by the SAR from the most significant bit (MSB) to the least significant bit (LSB). Referring to Figure 4, the AIN input connects to the comparator input via  $2.5k\Omega$ . The DAC which has a similar  $2.5k\Omega$  output impedance connects to the same comparator input. Bit decisions are made by the comparator (zero crossing detector) which checks the addition of each successive weighted bit from the DAC output. The MSB decision is made 80ns (typically) after the second falling edge of CLK IN following a conversion start. Similarly, the succeeding bit decisions are made approximately 80ns after a CLK IN edge until conversion is finished. At the end of conversion, the DAC output current balances the AIN input current. The SAR contents (12-bit data word) which represent the AIN input signal is loaded into a 12-bit latch.



Figure 4. AD7572 AIN Input

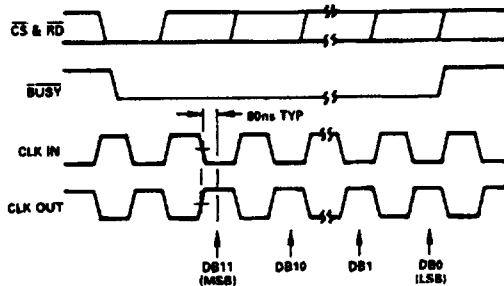


Figure 5. Operating Waveforms Using an External Clock Source for CLK IN

## CONTROL INPUTS SYNCHRONIZATION

In applications where the  $\overline{RD}$  control input is not synchronized with the ADC clock then conversion time can vary from 12 to 13 CLK IN periods. This is because the ADC waits for the first falling CLK IN edge after conversion start before the conversion procedure begins. Without synchronization, this delay can vary from zero to an entire clock period. If a constant conversion time is required, then the following approach ensures a fixed  $5\mu s$  conversion time for the AD7572XX05 and  $12.5\mu s$  for the AD7572XX12: when initiating a conversion,  $\overline{RD}$  must go low on either the rising edge of CLK IN or the falling edge of CLK OUT.

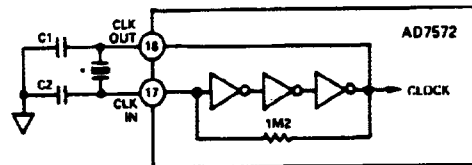
## DRIVING THE ANALOG INPUT

During conversion, the AIN input current is modulated by the DAC output current at a rate equal to the CLK IN frequency (i.e., 2.5MHz when CLK IN = 2.5MHz). The analog input voltage must remain fixed during this period and as a result must be driven from an op amp or sample hold with a low output impedance. The output impedance of an op amp is equal to the open loop output impedance divided by the loop gain at the frequency of interest.

Suitable devices capable of driving the AD7572 AIN input are the AD OP-27 and AD711 op amps or the AD585 sample hold.

## INTERNAL CLOCK OSCILLATOR

Figure 6 shows the AD7572 internal clock circuit. A crystal or ceramic resonator may be connected between CLK IN (Pin 17) and CLK OUT (Pin 18) to provide a clock oscillator for the ADC timing. Alternatively the crystal/resonator may be omitted and an external clock source may be connected to CLK IN. For an external clock the mark/space ratio must be 50/50. An inverted CLK IN signal will appear at the CLK OUT pin as shown in the operating waveforms of Figure 5.



NOTES  
AD7572XX05 - 2.5MHz CRYSTAL/CERAMIC RESONATOR.  
AD7572XX12 - 1.0MHz CRYSTAL/CERAMIC RESONATOR.  
C1 and C2 CAPACITANCE VALUES DEPEND ON CRYSTAL/CERAMIC RESONATOR MANUFACTURER. TYPICAL VALUES ARE FROM 30 to 100pF.

Figure 6. AD7572 Internal Clock Circuit

## INTERNAL REFERENCE

The AD7572 has an on-chip, buffered, temperature-compensated, buried Zener reference, which is factory trimmed to  $-5.25V \pm 1\%$ . It is internally connected to the DAC and is also available at Pin 2 to provide up to  $550\mu A$  current to an external load.

For minimum code transition noise the reference output should be decoupled with a capacitor to filter out wideband noise from the reference diode ( $10\mu F$  of tantalum in parallel with  $100nF$  ceramic). However, large values of decoupling capacitor can affect the dynamic response and stability of the reference amplifier. A  $10\Omega$  resistor in series with the decoupling capacitors will eliminate this problem without adversely affecting the filtering effect of the capacitors. A simplified schematic of the reference with its recommended decoupling components is shown in Figure 7.



Figure 7. AD7572 Internal  $-5.25V$  Reference

**UNIPOLAR OPERATION**

Figure 8 shows the ideal input/output characteristic for the 0 to 5 volt input range of the AD7572. The designed code transitions occur midway between successive integer LSB values (i.e., 1/2LSB, 3/2LSBs, 5/2LSBs . . . FS-3/2LSBs). The output code is natural binary with 1LSB = FS/4096 = (5/4096)V = 1.22mV.



Figure 8. AD7572 Ideal Input/Output Transfer Characteristic

**UNIPOLAR OFFSET AND FULL-SCALE ERROR ADJUSTMENT**

In applications where absolute accuracy is important then offset and full-scale error can be adjusted to zero. Offset error must be adjusted before full-scale error. Figure 9 shows the extra components required for full-scale error adjustment. Zero offset is achieved by adjusting the offset of the op amp driving AIN (i.e., A1 in Figure 9.). For zero offset error apply 0.61mV (i.e., 1/2LSB) at  $V_{IN}$  and adjust the op amp offset voltage until the ADC output code flickers between 0000 0000 0000 and 0000 0000 0001.

For zero full-scale error apply an analog input of 4.99817V (i.e., FS-3/2LSBs or last code transition) at  $V_{IN}$  and adjust R1 until the ADC output code flickers between 1111 1111 1110 and 1111 1111 1111.



Figure 9. Unipolar 0 to +5V Operation with Gain Error Adjust

**BIPOLAR OPERATION**

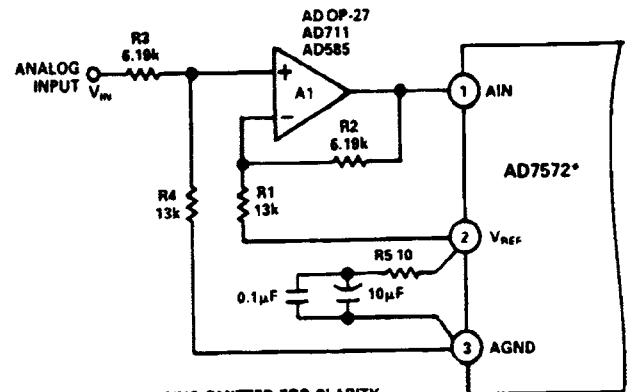
Figures 10 and 12 show how bipolar operation can be achieved with the AD7572. Both circuits use an op-amp to offset the analog signal ( $V_{IN}$ ) by 2.5V. Alternatively, the op amp (A1) can be replaced by a sample hold as shown in Figure 24. The op amp transfer functions are given below:

Figure 10:  $A_{IN} = (V_{IN} + 2.5)$  volts

Figure 12:  $A_{IN} = (-V_{IN} + 2.5)$  volts

Both circuits have an analog input range of  $\pm 2.5V$  and an LSB size of 1.22mV. The output codes are offset binary for Figure 10 and complementary offset binary for Figure 12. Their ideal input/output transfer characteristics after offset and full scale adjustment are shown in Figures 11 and 13.

Signal ranges other than  $\pm 2.5V$  are easily accommodated using different values of R3 and R4 for Figure 10, and a different R2 value for Figure 12. These resistors should be chosen such that the voltage range at AIN covers the full dynamic range (i.e., 0V to 5V) of the ADC. All resistors should be the same type and from the same manufacturer so that their temperature coefficients match.



\*ADDITIONAL PINS OMITTED FOR CLARITY

Figure 10. AD7572 Bipolar Operation - Output Code is Offset Binary



Figure 11. Ideal Input/Output Transfer Characteristic for the Bipolar Circuit of Figure 10

# AD7572



\*ADDITIONAL PINS OMITTED FOR CLARITY

Figure 12. AD7572 Bipolar Operation – Output Code is Complementary Offset Binary

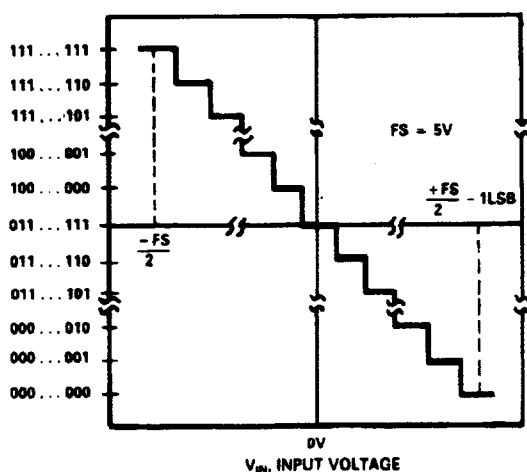


Figure 13. Ideal Input:Output Transfer Characteristic for the Bipolar Circuit of Figure 12

## OFFSET AND FULL-SCALE ERROR

In most Digital Signal Processing (DSP) applications offset and full-scale error have little or no effect on system performance. A typical example is a digital filter, where an analog signal is quantized, digitally processed and recreated using a DAC. In these type of applications the offset error can be eliminated by ac coupling the recreated signal. Full-scale error effect is linear and does not cause problems as long as the input signal is within the full dynamic range of the ADC. An important parameter in DSP applications is Differential Nonlinearity and this is not affected by either offset or full-scale error.

In measurement applications where absolute accuracy is required, offset and full-scale error can be adjusted to zero as in Figure 14.



\*ADDITIONAL PINS OMITTED FOR CLARITY

Figure 14. AD7572 Bipolar Operation with Offset and Gain Error Adjust

## BIPOLAR OFFSET AND FULL-SCALE ERROR ADJUSTMENT

The bipolar circuit of Figure 10 can be adjusted for offset and full-scale errors, by including two potentiometers R5 and R6, as shown in Figure 14. Offset must be adjusted before full-scale error. This is achieved by applying an analog input of 0.61mV (1/2LSB) at  $V_{IN}$  and adjusting R5 until the ADC output code flickers between 1000 0000 0000 and 1000 0000 0001.

For full-scale error adjustment, the analog input must be at 2.49817 volts (i.e.,  $FS/2 - 3/2LSBs$  or last transition point). Then R6 is adjusted until the ADC output code flickers between 1111 1111 1110 and 1111 1111 1111.

A similar offset and full-scale error adjustment procedure may be employed for Figure 12 by making R1 and R2 variable. Offset must again be adjusted before full scale error. This is achieved by applying an analog input of 0.61mV at  $V_{IN}$  and adjusting R1 until the ADC output code flickers between 0111 1111 1110 and 0111 1111 1111.

For full-scale error adjust, apply a signal source of 2.49817V at  $V_{IN}$  and adjust R2 until the ADC output code flickers between 0000 0000 0000 and 0000 0000 0001.



### APPLICATION HINTS

Wire wrap boards are not recommended for high resolution or high-speed A/D converters. To obtain the best performance from the AD7572 a printed circuit board is required. Layout for the printed circuit board should ensure that digital and analog signal lines are separated as much as possible. In particular, care should be taken not to run any digital track alongside an analog signal track or underneath the AD7572. The analog input should be screened by AGND.

A single point analog ground (STAR ground) separate from the logic system ground should be established at Pin 3 (AGND) or as close as possible to the AD7572 as shown in Figure 15.

Pin 12 (AD7572 DGND) and all other analog grounds should be connected to this single analog ground point. No other digital grounds should be connected to this analog ground point. Low impedance analog and digital power supply common returns are essential to low noise operation of the ADC and the foil width for these tracks should be as wide as possible.

**Noise:** Input signal leads to AIN and signal return leads from AGND (Pin 3) should be kept as short as possible to minimize input noise coupling. In applications where this is not possible, a shielded cable between source and ADC is recommended. Also, since any potential difference in grounds between the signal source and ADC appears as an error voltage in series with the input signal, attention should be paid to reducing the ground circuit impedances as much as possible.

In applications where the AD7572 data outputs and control signals are connected to a continuously active microprocessor bus, it is possible to get LSB errors in conversion results. These errors are due to feedthrough from the microprocessor to the successive approximation comparator. The problem can be eliminated by forcing the microprocessor into a WAIT state during conversion (see Slow Memory Mode interfacing), or by using three-state buffers to isolate the AD7572 data bus.

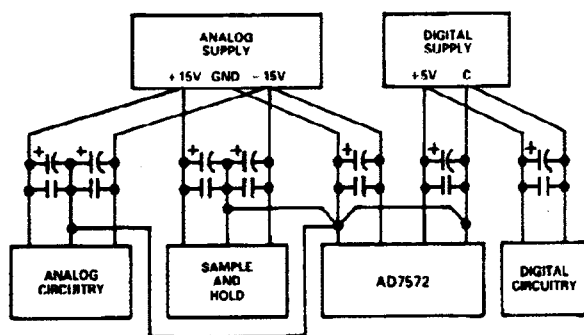


Figure 15. Power Supply Grounding Practice

### TIMING AND CONTROL

Conversion start and data read operations are controlled by three AD7572 digital inputs; HBEN,  $\overline{CS}$  and  $\overline{RD}$ . Figure 16 shows the logic structure associated with these inputs. The three signals are internally gated so that a logic "0" is required on all three inputs to initiate a conversion. Once initiated it cannot be re-started until conversion is complete. Converter status is indicated by the  $\overline{BUSY}$  output, and this is low while conversion is in progress.

There are two modes of operation as outlined by the timing diagrams of Figures 17 to 20. Slow Memory Mode is designed for microprocessors which can be driven into a WAIT state, a READ operation brings  $\overline{CS}$  and  $\overline{RD}$  low which initiates a conversion and data is read when conversion is complete. The second is the ROM Mode which does not require microprocessor WAIT states, a READ operation brings  $\overline{CS}$  and  $\overline{RD}$  low which initiates a conversion and reads the previous conversion result.

### DATA FORMAT

The output data format can either be a complete parallel load (DB11..DB0) for 16-bit microprocessors or a two byte load for 8-bit microprocessors. Data is always right justified (i.e., LSB is the most right-hand bit in a 16-bit word. For a two byte read, only data outputs D7 . . . D0/8 are used. Byte selection is governed by the HBEN input which controls an internal digital multiplexer. This multiplexes the 12-bits of conversion data onto the lower D7 . . . D0/8 outputs (4 MSBs or 8 LSBs) where it can be read in two read cycles. The 4 MSB's always appear on D11 . . . D8 whenever the three-state output drives are turned on.

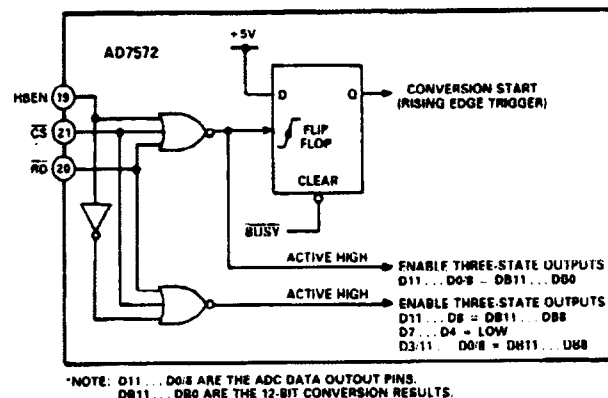


Figure 16. Internal Logic for Control Inputs  $\overline{CS}$ ,  $\overline{RD}$  and HBEN

### SLOW MEMORY MODE, PARALLEL READ (HBEN = LOW)

Figure 17 and Table I shows the timing diagram and data bus status for Slow Memory Mode, Parallel Read.  $\overline{CS}$  and  $\overline{RD}$  going low triggers a conversion and the AD7572 acknowledges by taking  $\overline{BUSY}$  low. Data from the previous conversion appears on the three state data outputs.  $\overline{BUSY}$  returns high at the end of conversion when the output latches have been updated and the conversion result is placed on data outputs D11 . . . D0/8.

### SLOW MEMORY MODE, TWO BYTE READ

For a two byte read only 8 data outputs D7 . . . D0/8 are used. Conversion start procedure and data output status for the first read operation is identical to Slow Memory Mode, Parallel Read. See Figure 18 timing diagram and Table II data bus status. At the end of conversion the low data byte (DB7 . . . DB0) is read from the ADC. A second READ operation with HBEN high, places the high byte on data outputs D3/11 . . . D0/8 and disables conversion start. Note the 4MSB's appear on data outputs D11 . . . D8 during the two READ operations above.



Figure 17. Slow Memory Mode, Parallel Read Timing Diagram

| AD7572 Data Outputs | D11  | D10  | D9  | D8  | D7  | D6  | D5  | D4  | D3/11 | D2/10 | D1/9 | D0/8 |
|---------------------|------|------|-----|-----|-----|-----|-----|-----|-------|-------|------|------|
| Read                | DB11 | DB10 | DB9 | DB8 | DB7 | DB6 | DB5 | DB4 | DB3   | DB2   | DB1  | DB0  |

Table I. Slow Memory Mode, Parallel Read Data Bus Status



Figure 18. Slow Memory Mode, Two Byte Read Timing Diagram

| AD7572 Data Outputs | D7  | D6  | D5  | D4  | D3/11 | D2/10 | D1/9 | D0/8 |
|---------------------|-----|-----|-----|-----|-------|-------|------|------|
| First Read          | DB7 | DB6 | DB5 | DB4 | DB3   | DB2   | DB1  | DB0  |
| Second Read         | LOW | LOW | LOW | LOW | DB11  | DB10  | DB9  | DB8  |

Table II. Slow Memory Mode, Two Byte Read Data Bus Status



Figure 19. ROM Mode, Parallel Read Timing Diagram

| AD7572 Data Outputs   | D11  | D10  | D9  | D8  | D7  | D6  | D5  | D4  | D3/11 | D2/10 | D1/9 | D0/8 |
|-----------------------|------|------|-----|-----|-----|-----|-----|-----|-------|-------|------|------|
| First Read (Old Data) | DB11 | DB10 | DB9 | DB8 | DB7 | DB6 | DB5 | DB4 | DB3   | DB2   | DB1  | DB0  |
| Second Read           | DB11 | DB10 | DB9 | DB8 | DB7 | DB6 | DB5 | DB4 | DB3   | DB2   | DB1  | DB0  |

Table III. ROM Mode, Parallel Read Data Bus Status



Figure 20. ROM Mode, Two Byte Read Timing Diagram

| AD7572 Data Outputs   | D7  | D6  | D5  | D4  | D3/11 | D2/10 | D1/9 | D0/8 |
|-----------------------|-----|-----|-----|-----|-------|-------|------|------|
| First Read (Old Data) | DB7 | DB6 | DB5 | DB4 | DB3   | DB2   | DB1  | DB0  |
| Second Read           | LOW | LOW | LOW | LOW | DB11  | DB10  | DB9  | DB8  |
| Third Read            | DB7 | DB6 | DB5 | DB4 | DB3   | DB2   | DB1  | DB0  |

Table IV. ROM Mode, Two Byte Read Data Bus Status

**ROM MODE, PARALLEL READ (HBEN = LOW)**

The ROM Mode avoids placing a microprocessor into a wait state. A conversion is started with a READ operation and the 12-bits of data from the previous conversion is available on data outputs D11 . . . D0/8 (see Figure 19 and Table III). This data may be disregarded if not required. A second READ operation reads the new data (DB11 . . . DB0) and starts another conversion. A delay at least as long as the AD7572 conversion time must be allowed between READ operations.

**ROM MODE, TWO BYTE READ**

As previously mentioned for a two byte read, only data outputs D7 . . . D0/8 are used. Conversion is started in the normal way with a READ operation and the data output status is the same as the ROM Mode, Parallel Read. See Figure 20 timing diagram and Table IV data bus status. Two more READ operations are required to access the new conversion result. A delay equal to the AD7572 conversion time must be allowed between conversion start and the second data READ operation. The second READ operation, with HBEN high, disables conversion start and places the high byte (4MSBs) on data outputs D3/11 . . . D0/8. A third READ operation accesses the low data byte (DB7 . . . DB0) and starts another conversion. The 4MSB's appear on data outputs D11 . . . D8 during all three read operations above.

**MICROPROCESSOR INTERFACING**

The AD7572 is designed to interface with microprocessors as a memory mapped device. The CS and RD control inputs are common to all peripheral memory interfacing. The HBEN input serves as a data byte select for 8-bit processors and is normally connected to the microprocessor address bus.

**MC68000 Microprocessor**

Figure 21 shows a typical interface for the 68000. The AD7572 is operating in the Slow Memory Mode. Assuming the AD7572 is located at address C000, then the following single 16-bit MOVE instruction both starts a conversion and reads the conversion result.

```
Move.W $C000,D0
```

At the beginning of the instruction cycle when the ADC address is selected, BUSY and CS assert DTACK, so that the 68000 is forced into a WAIT state. At the end of conversion BUSY returns high and the conversion result is placed in the D0 register of the UP.



Figure 21. AD7572 - MC68000 Interface

# AD7572

## 8085A, Z80 MICROPROCESSOR

Figure 22 shows an AD7572 interface for the Z80 and 8085A. The AD7572 is operating in the Slow Memory Mode and a two byte read is required. Not shown in the figure is the 8-bit latch required to demultiplex the 8085A common address/data bus. A0 is used to assert HBEN, so that an even address (HBEN = LOW) to the AD7572 will start a conversion and read the low data byte. An odd address (HBEN = HIGH) will read the high data byte. This is accomplished with the single 16-bit LOAD instruction below.

```

For the 8085A      LHLD(B000)
For the Z80        LD HL,(B000)
    
```

This is a two byte read instruction which loads the ADC data (address B000) into the HL register pair. During the first read operation, **BUSY** forces the microprocessor to WAIT for the AD7572 conversion. No WAIT states are inserted during the second read operation when the microprocessor is reading the high data byte.

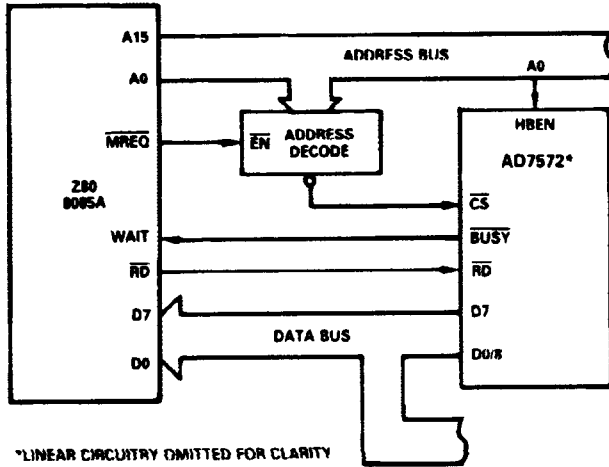


Figure 22. AD7572 - 8085A/Z80 Interface

## TMS32010 MICROCOMPUTER

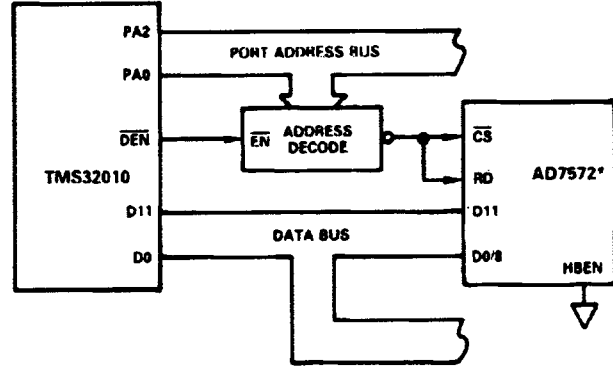
Figure 23 shows an AD7572-TMS32010 interface. The AD7572 is operating in the ROM Mode. The interface is designed for a maximum TMS32010 clock frequency of 18MHz but will typically work over the full TMS32010 clock frequency range.

The AD7572 is mapped at a port address. The following I/O instruction starts a conversion and reads the previous conversion result into data memory.

```

INA,PA      (PA = PORT ADDRESS)
    
```

When conversion is complete, a second I/O instruction reads the up-to-date data into data memory and starts another conversion. A delay at least as long as the ADC conversion time must be allowed between I/O instructions.



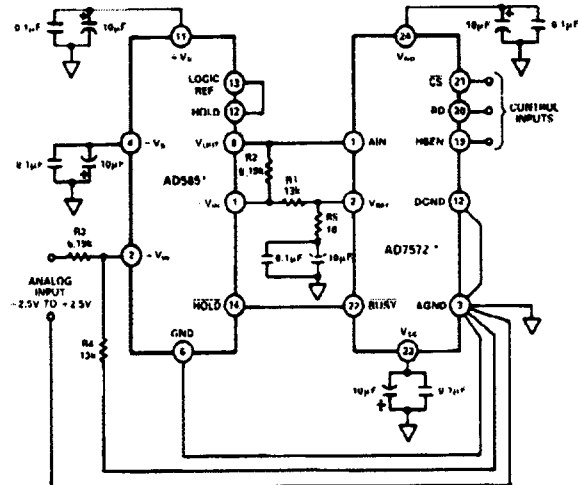
\*LINEAR CIRCUITRY OMITTED FOR CLARITY

Figure 23. AD7572 - TMS32010 Interface

## AD7572-AD585 SAMPLE-HOLD INTERFACE

Figure 24 shows an AD585 sample-hold amplifier driving the AIN input of the AD7572. The interface contains resistors R1, R2, R3 and R4 to allow a bipolar input signal range of  $\pm 2.5$  volts. The maximum sampling frequency is 125kHz for the AD7572XX05 (5µs conversion) and 64.5kHz for the AD7572XX12 (12.5µs conversion). This includes the sample-hold amplifier acquisition time (3µs).

When an AD7572 conversion is initiated, the converter **BUSY** output goes low indicating conversion is in progress. The falling edge of this **BUSY** output signal places the sample-hold amplifier into the HOLD mode "freezing" the input signal to the AD7572. When conversion is finished, the **BUSY** output returns HIGH allowing the sample-hold to track the input signal. To achieve the maximum sampling rate, the AD7572 output data must be read within 3µs immediately after conversion while the sample-hold amplifier is acquiring the next sample.



\*ADDITIONAL PINE OMITTED FOR CLARITY

Figure 24. AD7572 - AD585 Sample-and-Hold Interface

**OUTLINE DIMENSIONS**

Dimensions shown in inches and (mm).

**24-Pin Plastic (Suffix N)**



- NOTES  
 1. LEAD NO. 1 IDENTIFIED BY DOT OR NOTCH.  
 2. PLASTIC LEADS WILL BE EITHER SOLDER DIPPED OR FIN/LEAD PLATED IN ACCORDANCE WITH MIL-M-38510 REQUIREMENTS.

**24-Pin Ceramic (Suffix Q)**



- NOTES  
 1. LEAD NO. 1 IDENTIFIED BY DOT OR NOTCH.  
 2. CERAMIC DIP LEADS WILL BE EITHER GOLD OR TIN PLATED IN ACCORDANCE WITH MIL-M-38510 REQUIREMENTS.  
 3. METAL LEAD IS CONNECTED TO GND.

**24-Pin Cerdip (Suffix Q)**



- NOTES  
 1. LEAD NO. 1 IDENTIFIED BY DOT OR NOTCH.  
 2. CERDIP LEADS WILL BE EITHER TIN PLATED OR SOLDER DIPPED IN ACCORDANCE WITH MIL-M-38510 REQUIREMENTS.

**28-Terminal LCCC (Suffix E)**



- NOTES  
 1. THIS DIMENSION CONTROLS THE OVERALL PACKAGE THICKNESS  
 2. APPLIES TO ALL FOUR SIDES  
 ALL TERMINALS ARE GOLD PLATED.

**28-Terminal PLCC (Suffix P)**





Компания «ЭлектроПласт» предлагает заключение долгосрочных отношений при поставках импортных электронных компонентов на взаимовыгодных условиях!

Наши преимущества:

- Оперативные поставки широкого спектра электронных компонентов отечественного и импортного производства напрямую от производителей и с крупнейших мировых складов;
- Поставка более 17-ти миллионов наименований электронных компонентов;
- Поставка сложных, дефицитных, либо снятых с производства позиций;
- Оперативные сроки поставки под заказ (от 5 рабочих дней);
- Экспресс доставка в любую точку России;
- Техническая поддержка проекта, помощь в подборе аналогов, поставка прототипов;
- Система менеджмента качества сертифицирована по Международному стандарту ISO 9001;
- Лицензия ФСБ на осуществление работ с использованием сведений, составляющих государственную тайну;
- Поставка специализированных компонентов (Xilinx, Altera, Analog Devices, Intersil, Interpoint, Microsemi, Aeroflex, Peregrine, Syfer, Eurofarad, Texas Instrument, Miteq, Cobham, E2V, MA-COM, Hittite, Mini-Circuits, General Dynamics и др.);

Помимо этого, одним из направлений компании «ЭлектроПласт» является направление «Источники питания». Мы предлагаем Вам помощь Конструкторского отдела:

- Подбор оптимального решения, техническое обоснование при выборе компонента;
- Подбор аналогов;
- Консультации по применению компонента;
- Поставка образцов и прототипов;
- Техническая поддержка проекта;
- Защита от снятия компонента с производства.



#### Как с нами связаться

**Телефон:** 8 (812) 309 58 32 (многоканальный)

**Факс:** 8 (812) 320-02-42

**Электронная почта:** [org@eplast1.ru](mailto:org@eplast1.ru)

**Адрес:** 198099, г. Санкт-Петербург, ул. Калинина, дом 2, корпус 4, литера А.