

LEAD-FREE PRODUCT NO.

72803-X22LF



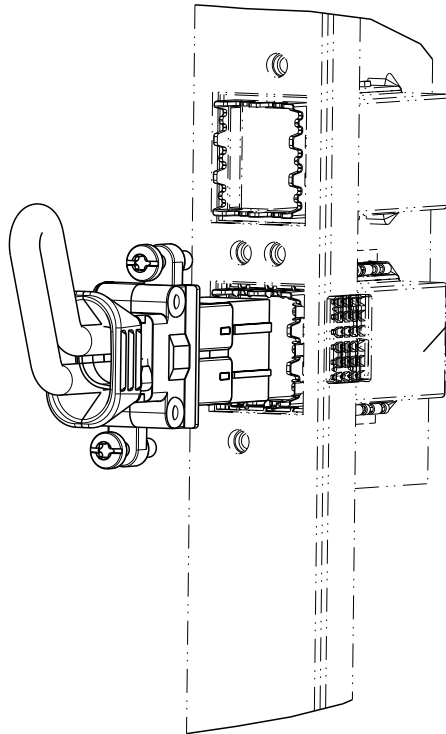
Performance level

72803-1XXLF

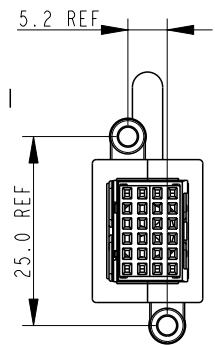
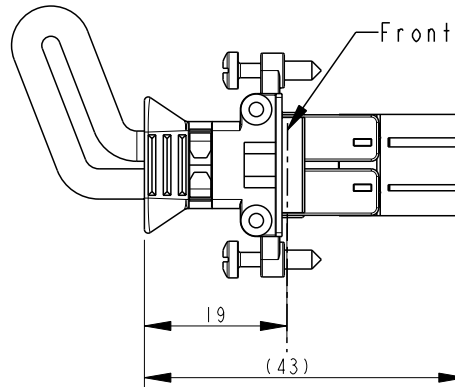
Telcordia CO.

72803-2XXLF

Customer Special



See Shielded Header
P/N 72844-XYLF



NOTES:

MATERIALS

- 1 TERMINAL BLOCK..... 30% GLASS FILLED POLYAMIDE
- 2 SHROUD..... 30% GLASS FILLED POLYAMIDE
FLAME RETARDENT ACC.UL 94-V0
- 3 COVER..... ZINC ALLOY
- 4 TERMINAL..... TINBRONZE
- 5 DISC SPRING..... HARDENED STEEL
- 6 SCREW..... STEEL
- 7 TUBULAR RIVET..... BRASS
- 8 CLAMP..... STEEL
- 9 RoHS INFORMATIONS:

- This "LF" product meets European Union Directives and other country regulations as described in GS-22-008.
- This product is not intended to be exposed to a manufacturing solder process.
- Packaging Spec: GS-14-920.

rev	ecn no	dr	date
C	B20112	E.S.	2002/06/30
D	LS05-0102	JTA	2005/11/11
E	LS06-0084	LGO	2006/07/01
F	LS06-0143	LGO	2006/09/25
G	LS07-0255	JTA	2007/11/13
-	-	-	-
-	-	-	-

CONVERSION ACCORDING GS-STANDARDS

www.fciconnect.com		surface ISO 1302	✓	tolerance std ISO 406 ISO 1101	projection mm	↔	
TOLERANCES UNLESS OTHERWISE SPECIFIED						↔	
Dr	Stroeykens	2002/06/30	ANGULAR	LINEAR	size	A4	Scale
Eng	G.Nys	2002/06/30			0.X		±0.3
Chr	W.Panis	2002/06/30	0° ±2°	0.XXX	±0.05	ECN	LS07-0255
Appr	W.Panis	2002/06/30	Product family		SOFIX	Spec ref	RELEASED
	title SHIELDED LOOP CABL. CONN.				dwg no	72803_C	Rev.
	title IDC 24 POS.						G
catalog no				CUSTOMER COPY		sheet 1 of 9	

REV F - 2006-04-17

PDM: Rev:G

STATUS:Released

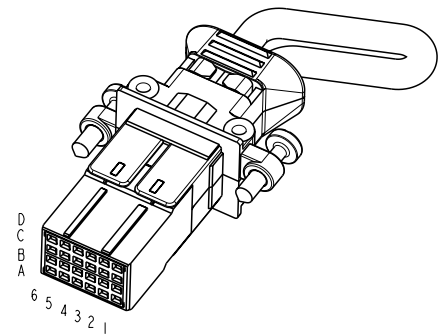
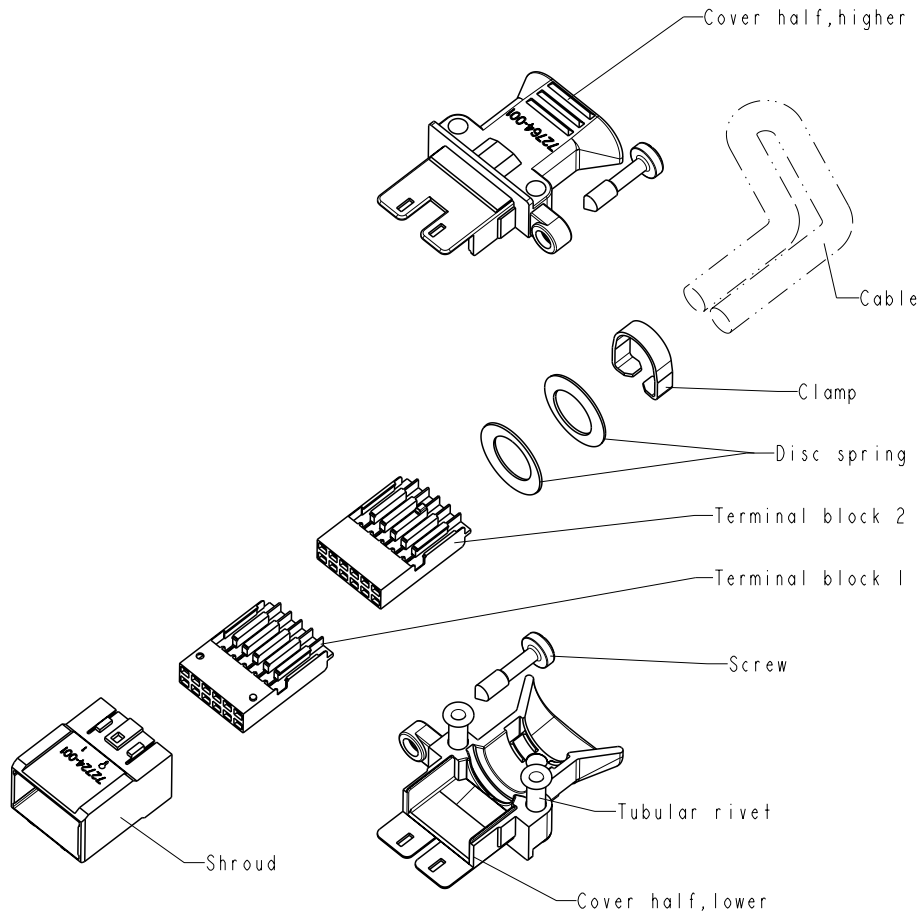
Printed: Aug 01, 2010



Copyright FCI.



Copyright FCI.



www.fciconnect.com			surface ISO 1302		✓	tolerance std ISO 406 ISO 1101		projection 	mm 	
			TOLERANCES UNLESS OTHERWISE SPECIFIED							
Dr	Stroeykens	2002/06/30	ANGULAR	LINEAR	0.X	±0.3	size A4	Scale 1:1		
Eng	G.Nys	2002/06/30			0.XX	±0.1				
Chr	W.Panis	2002/06/30	0° ±y°		0.XXX	±0.05	ECN	LS07-0255		
Appr	W.Panis	2002/06/30	Product family			SOFIX	Spec ref	RELEASED		
		title SHIELDED LOOP CABL. CONN. IDC 24 POS.				dwg no 72803_C			Rev. G	
catalog no		CUSTOMER COPY				sheet 2 of 9				

REV F - 2006-04-17

PDM: Rev:G

STATUS:Released

Printed: Aug 01, 2010

LEAD FREE PART NUMBER

Kit: 72803-X22LF	
COMPONENTS	QTY
SHROUD	1
COVER HALF LOWER	1
COVER HALF HIGHER	1
TUBULAR RIVET	2
DISC SPRING	2
CLAMP	1
TERMINAL BLOCK 1	1
TERMINAL BLOCK 2	1


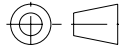
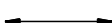



Dimension with oval around are critical dimensions including any attached geometrical tolerance. Other features or stand-alone geometrical tolerances being critical have a note "CRITICAL FEATURE" below the item

A symbol  (x: drawing current revision) will be next to any dimension, view or note which has been modified with the current drawing revision



Copyright FCI.

www.fciconnect.com			surface ISO 1302 		tolerance std ISO 406 ISO 1101		projection 		mm 		
			TOLERANCES UNLESS OTHERWISE SPECIFIED								
Dr	Stroeykens	2002/06/30	ANGULAR	LINEAR	0.X	±0.3	size A4	Scale 1:1			
Eng	G.Nys	2002/06/30			0.XX	±0.1					
Chr	W.Panis	2002/06/30	0° ±y°		0.XXX	±0.05	ECN LS07-0255				
Appr	W.Panis	2002/06/30	Product family			SOFIX		Spec ref		RELEASED	
		title SHIELDED LOOP CABL. CONN. IDC 24 POS.				dwg no 72803_C			Rev. G		
catalog no		CUSTOMER COPY				sheet 3 of 9					

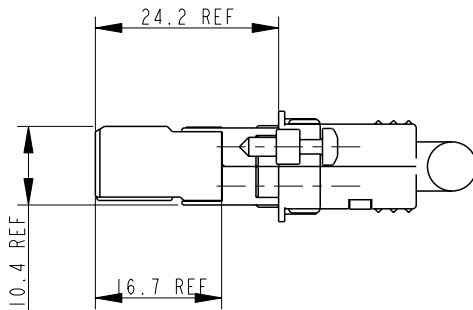
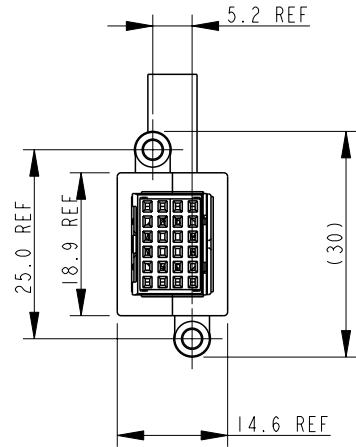
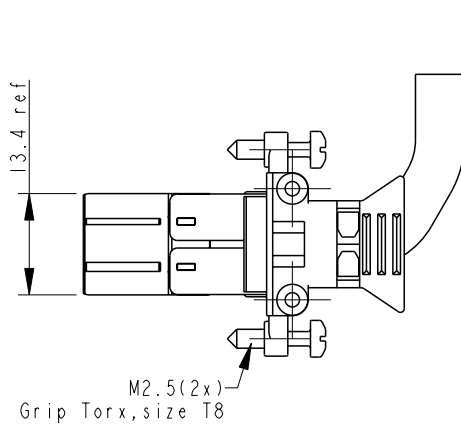
REV F - 2006-04-17

LEAD FREE PRODUCT NO.

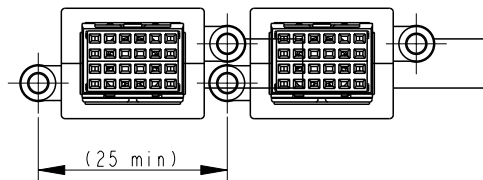
72803-X18LF

72803-X19LF

72803-X20LF



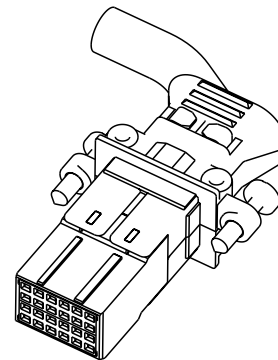
Mounting information



NOTES:

- 1 BODY MATERIAL.....30% GLASS FILLED POLYAMIDE
FLAME RETARDENT ACC.UL 94-V0
- 2 COVER MATERIAL.....ZINC ALLOY
- 3 TERMINAL MATERIAL.....TINBRONZE
- 4 CUP SPRING MATERIAL.....HARDENED STEEL
- 5 SCREW MATERIAL.....STEEL
- 6 TUBULAR RIVET MATERIAL...BRASS
- 7 PRODUCT MARKING.....PARTNUMBER & MANUFACT. DATE
- 8 RoHS INFORMATIONS:

- This "LF" product meets European Union Directives and other country regulations as described in GS-22-008.
- This product is not intended to be exposed to a manufacturing solder process.
- Packaging Spec: GS-14-920.



Copyright FCI.

www.fciconnect.com		surface ISO 1302	✓	tolerance std ISO 406 ISO 1101	projection mm	mm	
		TOLERANCES UNLESS OTHERWISE SPECIFIED				↔	
Dr	Stroeykens	2002/06/30	ANGULAR	LINEAR	0.X	±0.3	size A4
Eng	G.Nys	2002/06/30			0.XX	±0.1	
Chr	W.Panis	2002/06/30	0°	±y°	0.XXX	±0.05	ECN LS07-0255
Appr	W.Panis	2002/06/30	Product family		SOFIX	Spec ref	RELEASED
FCI	title SHIELDED LOOP CABL. CONN.				dwg no	72803_C	
	title IDC 24 POS.					Rev. G	
catalog no				CUSTOMER COPY		sheet 4 of 9	

REV F - 2006-04-17

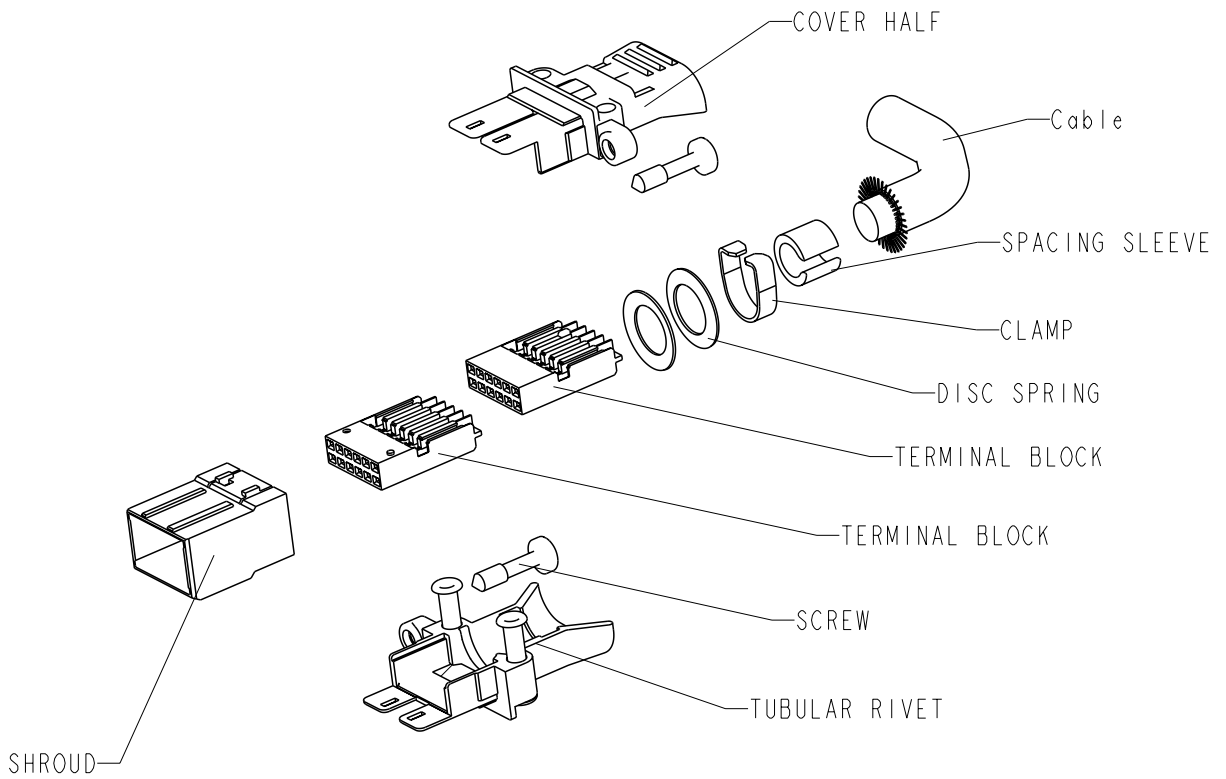
PDM: Rev:G

STATUS: Released

Printed: Aug 01, 2010



Copyright FCI.



www.fciconnect.com			surface ISO 1302		tolerance std ISO 406 ISO 1101		projection 		mm 	
TOLERANCES UNLESS OTHERWISE SPECIFIED										
Dr	Stroeykens	2002/06/30	ANGULAR	LINEAR	0.X	±0.3	size A4	Scale 1:1		
Eng	G.Nys	2002/06/30			0.XX	±0.1				
Chr	W.Panis	2002/06/30	0°	±y°	0.XXX	±0.05	ECN	LS07-0255		
Appr	W.Panis	2002/06/30	Product family			SOFIX		Spec ref	RELEASED	
		title SHIELDED LOOP CABL. CONN. IDC 24 POS.				dwg no 72803_C			Rev. G	
catalog no		CUSTOMER COPY				sheet 5 of 9				

REV F - 2006-04-17

PDM: Rev:G

STATUS: Released

Printed: Aug 01, 2010

LEAD FREE PART NUMBER

Kit: 72803-X22LF 72803-X19LF 72803-X20LF	
COMPONENTS	QTY
SHROUD	1
COVER HALF	1
COVER HALF	1
TUBULAR RIVET	2
SCREW	2
DISC SPRING	2
CLAMP	1
TERMINAL BLOCK 1	1
TERMINAL BLOCK 2	1
SPACING SLEEVE	1
CABLE	1

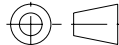
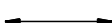



Dimension with oval around are critical dimensions including any attached geometrical tolerance. Other features or stand-alone geometrical tolerances being critical have a note "CRITICAL FEATURE" below the item

A symbol  (x: drawing current revision) will be next to any dimension, view or note which has been modified with the current drawing revision

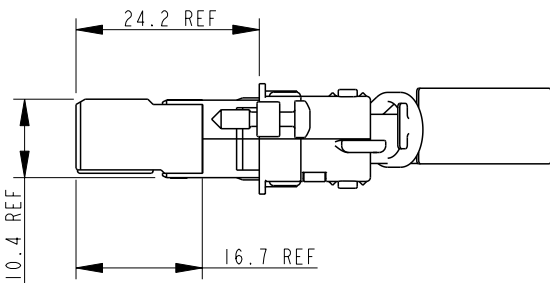
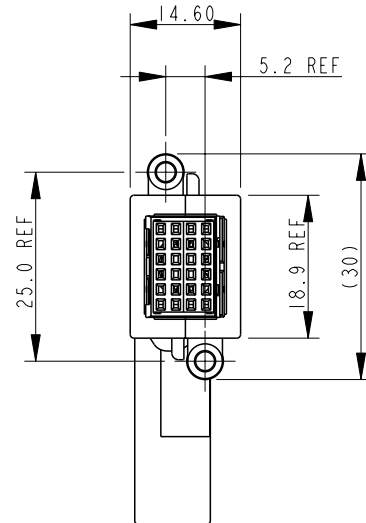
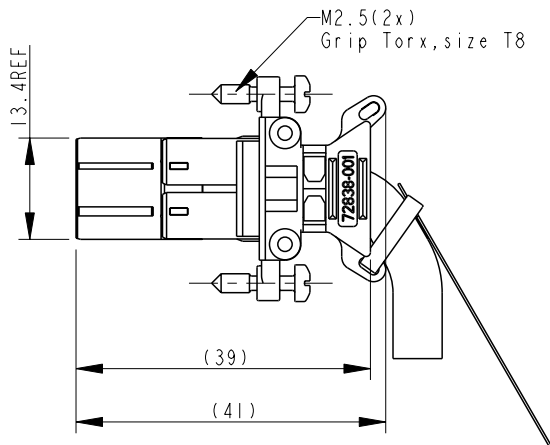


Copyright FCI.

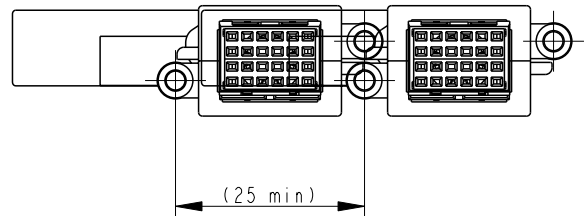
www.fciconnect.com			surface <input checked="" type="checkbox"/> ISO 1302		tolerance std ISO 406 ISO 1101		projection 		mm 		
			TOLERANCES UNLESS OTHERWISE SPECIFIED								
Dr	Stroeykens	2002/06/30	ANGULAR	LINEAR	0.X	±0.3	size A4	Scale 1:1			
Eng	G.Nys	2002/06/30			0.XX	±0.1					
Chr	W.Panis	2002/06/30	0°	±y°	0.XXX	±0.05	ECN	LS07-0255			
Appr	W.Panis	2002/06/30	Product family			SOFIX		Spec ref	RELEASED		
		title SHIELDED LOOP CABL. CONN. IDC 24 POS.				dwg no 72803_C		Rev. G			
catalog no		CUSTOMER COPY				sheet 6 of 9					

REV F - 2006-04-17

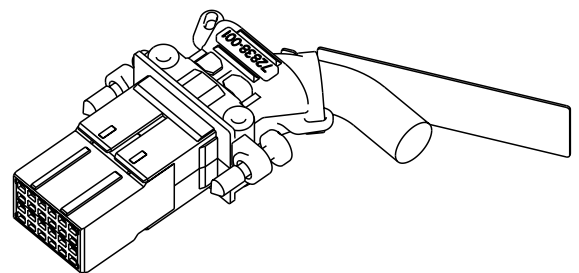
LEAD FREE PRODUCT NO.
72803-X24LF
72803-X25LF
72803-X26LF



Mounting information



- NOTES:
- BODY MATERIAL.....30% GLASS FILLED POLYAMIDE
FLAME RETARDANT ACC.UL 94-V0
 - COVER MATERIAL.....ZINC ALLOY
 - TERMINAL MATERIAL.....TINBRONZE
 - CUP SPRING MATERIAL.....HARDENED STEEL
 - SCREW MATERIAL.....STEEL
 - TUBULAR RIVET MATERIAL...BRASS
 - PRODUCT MARKING.....PARTNUMBER & MANUFACT. DATE
 - RoHS INFORMATIONS:
-This "LF" product meets European Union Directives and other country regulations as described in GS-22-008.
-This product is not intended to be exposed to a manufacturing solder process.
-Packaging Spec: GS-14-920.



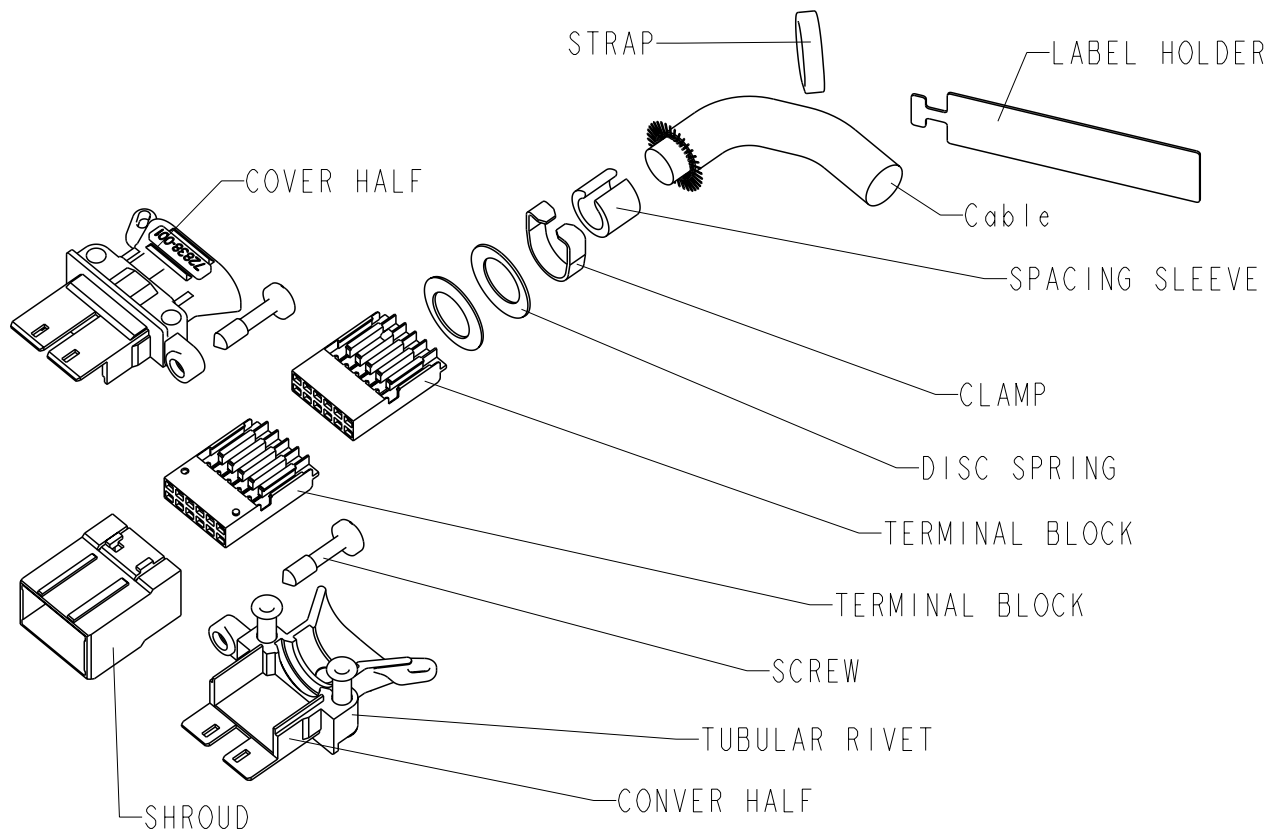
Copyright FCI.

www.fciconnect.com			surface ISO 1302	✓	tolerance std ISO 406 ISO 1101	projection 	mm ↔	
TOLERANCES UNLESS OTHERWISE SPECIFIED								
Dr	Stroeykens	2002/06/30	ANGULAR	LINEAR	0.X	±0.3	size A4	
Eng	G.Nys	2002/06/30			0.XX	±0.1		
Chr	W.Panis	2002/06/30	0°	±y°	0.XXX	±0.05	ECN LS07-0255	
Appr	W.Panis	2002/06/30	Product family			SOFIX	Spec ref RELEASED	
	title SHIELDED LOOP CABL. CONN.				dwg no	72803_C		Rev. G
	IDC 24 POS.					CUSTOMER COPY		
catalog no								

REV F - 2006-04-17



Copyright FCI.



www.fciconnect.com			surface ISO 1302		tolerance std ISO 406 ISO 1101		projection 		mm 	
TOLERANCES UNLESS OTHERWISE SPECIFIED					size		A4		Scale 1:1	
Dr	Stroeykens	2002/06/30	ANGULAR	LINEAR	0.X	±0.3	ECN		LS07-0255	
Eng	G.Nys	2002/06/30			0.XX	±0.1	Spec ref		RELEASED	
Chr	W.Panis	2002/06/30	0°	±y°	0.XXX	±0.05				
Appr	W.Panis	2002/06/30	Product family			SOFIX				
			title SHIELDED LOOP CABL. CONN. IDC 24 POS.			dwg no 72803_C			Rev. G	
catalog no			CUSTOMER COPY			sheet 8 of 9				

REV F - 2006-04-17

PDM: Rev:G

STATUS: Released

Printed: Aug 01, 2010

LEAD FREE PART NUMBER

Kit: 72803-X24LF
 72803-X25LF
 72803-X26LF



COMPONENTS	QTY
SHROUD	1
COVER HALF	1
COVER HALF	1
TUBULAR RIVET	2
SCREW	2
LABEL HOLDER	1
DISC SPRING	2
CLAMP	1
TERMINAL BLOCK 1	1
TERMINAL BLOCK 2	1
SPACING SLEEVE	1
CABLE	1



Dimension with oval around are critical dimensions including any attached geometrical tolerance. Other features or stand-alone geometrical tolerances being critical have a note "CRITICAL FEATURE" below the item

A symbol (x: drawing current revision) will be next to any dimension, view or note which has been modified with the current drawing revision



Copyright FCI.

www.fciconnect.com			surface ISO 1302		tolerance std ISO 406 ISO 1101		projection 		mm 		
			TOLERANCES UNLESS OTHERWISE SPECIFIED								
Dr	Stroeykens	2002/06/30	ANGULAR	LINEAR	0.X	±0.3	size A4	Scale 1:1			
Eng	G.Nys	2002/06/30			0.XX	±0.1					
Chr	W.Panis	2002/06/30	0°	±y°	0.XXX	±0.05	ECN	LS07-0255			
Appr	W.Panis	2002/06/30	Product family			SOFIX		Spec ref	RELEASED		
		title SHIELDED LOOP CABL. CONN. IDC 24 POS.				dwg no 72803_C		Rev. G			
catalog no		CUSTOMER COPY				sheet 9 of 9					

REV F - 2006-04-17



Компания «ЭлектроПласт» предлагает заключение долгосрочных отношений при поставках импортных электронных компонентов на взаимовыгодных условиях!

Наши преимущества:

- Оперативные поставки широкого спектра электронных компонентов отечественного и импортного производства напрямую от производителей и с крупнейших мировых складов;
- Поставка более 17-ти миллионов наименований электронных компонентов;
- Поставка сложных, дефицитных, либо снятых с производства позиций;
- Оперативные сроки поставки под заказ (от 5 рабочих дней);
- Экспресс доставка в любую точку России;
- Техническая поддержка проекта, помощь в подборе аналогов, поставка прототипов;
- Система менеджмента качества сертифицирована по Международному стандарту ISO 9001;
- Лицензия ФСБ на осуществление работ с использованием сведений, составляющих государственную тайну;
- Поставка специализированных компонентов (Xilinx, Altera, Analog Devices, Intersil, Interpoint, Microsemi, Aeroflex, Peregrine, Syfer, Eurofarad, Texas Instrument, Miteq, Cobham, E2V, MA-COM, Hittite, Mini-Circuits, General Dynamics и др.);

Помимо этого, одним из направлений компании «ЭлектроПласт» является направление «Источники питания». Мы предлагаем Вам помощь Конструкторского отдела:

- Подбор оптимального решения, техническое обоснование при выборе компонента;
- Подбор аналогов;
- Консультации по применению компонента;
- Поставка образцов и прототипов;
- Техническая поддержка проекта;
- Защита от снятия компонента с производства.



Как с нами связаться

Телефон: 8 (812) 309 58 32 (многоканальный)

Факс: 8 (812) 320-02-42

Электронная почта: org@eplast1.ru

Адрес: 198099, г. Санкт-Петербург, ул. Калинина, дом 2, корпус 4, литера А.