

# NL7WB66

## Ultra-Small SPST Analog Switch

The NL7WB66 is a very low  $R_{ON}$  dual SPST analog switch.  $R_{ON}$  is 5.0  $\Omega$  (Typ) at 5.0 V. The device is offered in the very popular low cost US8 package. It is designed as a general purpose dual switch and can be used to switch either analog signals such as audio and video or digital signal such as TTL, CMOS, LVDS, ECL, or complex digital signals such as QPSK.

### Features

- Excellent Performance  $R_{DS(ON)} = 5.0 \Omega$  at 5.0 V
- High Speed Operation:  $t_{PD} = 0.25$  ns (Max) at 5.0 V
- 1.65 to 5.5 V Operating Range
- Reduced Threshold Voltages for LVTTTL on Control Pin
  - ◆ Eliminates the Need for Translators for Many Applications
  - ◆ TTL Compatibility when  $V_{CC}$  is 5.0 V
  - ◆ Can Operate with 1.8 V Inputs, if  $V_{CC}$  is 3.0
  - ◆ Also Meets Full CMOS Specifications
- Ultra-Low Charge Injection = 7.5 pC at 5.0 V
- Low Stand-by Power  $I_{CC} = 1.0$  nA (Max) at  $T_A = 25^\circ\text{C}$
- Control Pins IN1, IN2, are Overvoltage Tolerant
- Pin for Pin Replacement TC7WB66, NC7WB66, 74LVC2G66
- ESD Protection:
  - Machine Model >200 V,
  - Human Body Model >2000 V
- Latchup Max Rating: 200 mA
- This is a Pb-Free Device

### Typical Applications

- Cell Phones
- PDAs
- Digital Still Cameras
- Video
- Digital Video

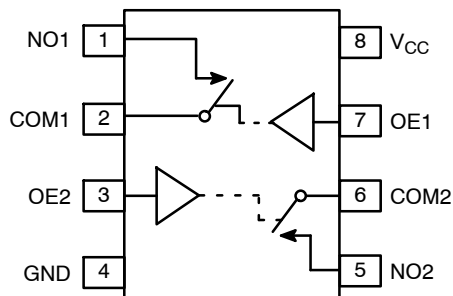
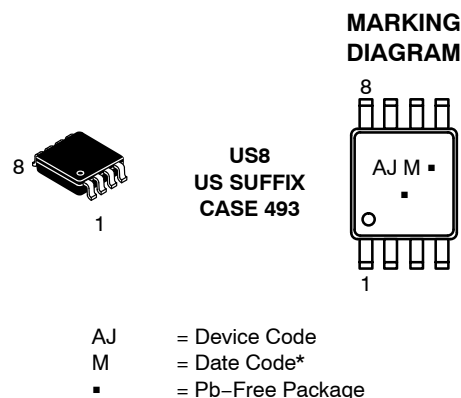


Figure 1. Pin Assignment Diagram



ON Semiconductor®

<http://onsemi.com>



(Note: Microdot may be in either location)  
\*Date Code orientation may vary depending upon manufacturing location.

### PIN ASSIGNMENT

Pin	Function	OVT
1	NO1	-
2	COM1	-
3	OE2	Yes
4	GND	-
5	NO2	-
6	COM2	-
7	OE1	Yes
8	V <sub>CC</sub>	-

### FUNCTION TABLE

On/Off Enable Input	State of Analog Switch
L	Off
H	On

### ORDERING INFORMATION

See detailed ordering and shipping information in the package dimensions section on page 5 of this data sheet.

# NL7WB66

## MAXIMUM RATINGS

Symbol	Rating	Value	Unit
V <sub>CC</sub>	DC Supply Voltage	- 0.5 to + 7.0	V
V <sub>I</sub>	DC Input Voltage	- 0.5 to + 7.0	V
V <sub>O</sub>	DC Output Voltage	- 0.5 to + 7.0	V
I <sub>IK</sub>	DC Input Diode Current V <sub>I</sub> < GND	- 50	mA
I <sub>OK</sub>	DC Output Diode Current V <sub>O</sub> < GND	- 50	mA
I <sub>O</sub>	DC Output Sink Current	± 50	mA
I <sub>CC</sub>	DC Supply Current per Supply Pin	± 100	mA
I <sub>GND</sub>	DC Ground Current per Ground Pin	± 100	mA
T <sub>STG</sub>	Storage Temperature Range	- 65 to + 150	°C
T <sub>L</sub>	Lead Temperature, 1 mm from Case for 10 Seconds	260	°C
T <sub>J</sub>	Junction Temperature under Bias	+ 150	°C
θ <sub>JA</sub>	Thermal Resistance	250	°C/W
P <sub>D</sub>	Power Dissipation in Still Air at 85°C	250	mW
MSL	Moisture Sensitivity	Level 1	-
F <sub>R</sub>	Flammability Rating Oxygen Index: 28 to 34	UL 94 V-0 @ 0.125 in	-
V <sub>ESD</sub>	ESD Withstand Voltage Human Body Model (Note 2) Machine Model (Note 3) Charged Device Model (Note 4)	> 2000 > 200 N/A	V

Stresses exceeding Maximum Ratings may damage the device. Maximum Ratings are stress ratings only. Functional operation above the Recommended Operating Conditions is not implied. Extended exposure to stresses above the Recommended Operating Conditions may affect device reliability.

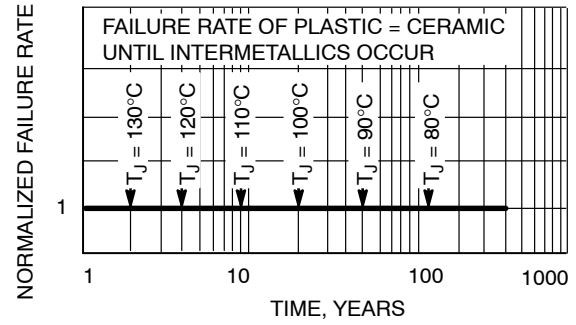
1. Measured with minimum pad spacing on an FR4 board, using 10 mm-by-1 inch, 2-ounce copper trace with no air flow.
2. Tested to EIA/JESD22-A114-A.
3. Tested to EIA/JESD22-A115-A.
4. Tested to JESD22-C101-A.

## RECOMMENDED OPERATING CONDITIONS

Symbol	Characteristics	Min	Max	Unit
V <sub>CC</sub>	Positive DC Supply Voltage	1.65	5.5	V
V <sub>IN</sub>	Digital Input Voltage (Enable)	GND	5.5	V
V <sub>IO</sub>	Static or Dynamic Voltage Across an Off Switch	GND	V <sub>CC</sub>	V
V <sub>IS</sub>	Analog Input Voltage NO COM	GND	V <sub>CC</sub>	V
T <sub>A</sub>	Operating Temperature Range, All Package Types	-55	+125	°C
t <sub>r</sub> , t <sub>f</sub>	Input Rise or Fall Time (Enable Input) V <sub>CC</sub> = 3.3 V ± 0.3 V V <sub>CC</sub> = 5.0 V ± 0.5 V	0 0	100 20	ns/V

**DEVICE JUNCTION TEMPERATURE VS. TIME TO 0.1% BOND FAILURES**

Junction Temperature °C	Time, Hours	Time, Years
80	1,032,200	117.8
90	419,300	47.9
100	178,700	20.4
110	79,600	9.4
120	37,000	4.2
130	17,800	2.0
140	8,900	1.0



**Figure 2. Failure Rate vs. Time Junction Temperature**

**DC CHARACTERISTICS – Digital Section (Voltages Referenced to GND)**

Symbol	Parameter	Condition	V <sub>CC</sub>	Guaranteed Max Limit			Unit
				25°C	-40 to 85°C	-55 to <125°C	
V <sub>IH</sub>	High-level Input Voltage, Control Input		1.65 to 1.95 2.3 to 2.7 3.0 to 3.6 4.5 to 5.5	V <sub>CC</sub> x 0.65 V <sub>CC</sub> x 0.7 V <sub>CC</sub> x 0.7 V <sub>CC</sub> x 0.7	V <sub>CC</sub> x 0.65 V <sub>CC</sub> x 0.7 V <sub>CC</sub> x 0.7 V <sub>CC</sub> x 0.7	V <sub>CC</sub> x 0.65 V <sub>CC</sub> x 0.7 V <sub>CC</sub> x 0.7 V <sub>CC</sub> x 0.7	V
V <sub>IL</sub>	Low-level Input Voltage, Control Input		1.65 to 1.95 2.3 to 2.7 3.0 to 3.6 4.5 to 5.5	V <sub>CC</sub> x 0.35 V <sub>CC</sub> x 0.3 V <sub>CC</sub> x 0.3 V <sub>CC</sub> x 0.3	V <sub>CC</sub> x 0.35 V <sub>CC</sub> x 0.3 V <sub>CC</sub> x 0.3 V <sub>CC</sub> x 0.3	V <sub>CC</sub> x 0.35 V <sub>CC</sub> x 0.3 V <sub>CC</sub> x 0.3 V <sub>CC</sub> x 0.3	V
I <sub>IN</sub>	Maximum Input Leakage Current, Enable Inputs	V <sub>IN</sub> = 5.5 V or GND	0 V to 5.5 V	±0.1	±1.0	±1.0	µA
I <sub>CC</sub>	Maximum Quiescent Supply Current (per package)	Enable and VIS = VCC or GND	5.5	1.0	1.0	2.0	µA

# NL7WB66

## DC ELECTRICAL CHARACTERISTICS – Analog Section

Symbol	Parameter	Condition	V <sub>CC</sub>	Guaranteed Max Limit			Unit
				25°C	-40 to 85°C	-55 to <125°C	
R <sub>ON</sub>	On-State Switch Resistance	V <sub>IS</sub> = V <sub>CC</sub> I <sub>S</sub> = 4 mA	1.65	30	30	30	Ω
		V <sub>IS</sub> = GND I <sub>S</sub> = 4 mA	1.65	15	15		
		V <sub>IS</sub> = V <sub>CC</sub> I <sub>S</sub> = 8 mA	2.3	20	20		
		V <sub>IS</sub> = GND I <sub>S</sub> = 8 mA	2.3	10	10		
		V <sub>IS</sub> = V <sub>CC</sub> I <sub>S</sub> = 24 mA	3.0	15	15		
		V <sub>IS</sub> = GND I <sub>S</sub> = 24 mA	3.0	7.0	7.0		
		V <sub>IS</sub> = V <sub>CC</sub> I <sub>S</sub> = 32 mA	4.5	10	10		
		V <sub>IS</sub> = 2.4 I <sub>S</sub> = 15 mA	4.5	8.0	8.0		
		V <sub>IS</sub> = GND I <sub>S</sub> = 32 mA	4.5	5.0	5.0		
R <sub>ON(p)</sub>	Peak On-State Resistance	V <sub>IS</sub> = V <sub>CC</sub> to GND, I <sub>S</sub> = 4 mA	1.65	120	120	120	Ω
		V <sub>IN</sub> = V <sub>IH</sub> I <sub>S</sub> = 8 mA	2.3	30	30		
		I <sub>S</sub> = 24 mA	3.0	20	20		
		I <sub>S</sub> = 32 mA	4.5	15	15		
Δ R <sub>ON</sub>	Difference of On-State Resistance between Switches	V <sub>IS</sub> = V <sub>CC</sub> to GND, I <sub>S</sub> = 4 mA	1.65	1.2	1.2	1.2	Ω
		V <sub>IN</sub> = V <sub>IH</sub> I <sub>S</sub> = 8 mA	2.3	1.3	1.3		
		I <sub>S</sub> = 24 mA	3.0	1.5	1.5		
		I <sub>S</sub> = 32 mA	4.5	2.0	2.0		
R <sub>FLAT</sub>		V <sub>IS</sub> = V <sub>CC</sub> to GND I <sub>S</sub> = 4 mA	1.65	240	240	240	Ω
		I <sub>S</sub> = 8 mA	2.3	60	60		
		I <sub>S</sub> = 24 mA	3.0	14	14		
		I <sub>S</sub> = 32 mA	4.5	5.0	5.0		
I <sub>NO(OFF)</sub>	Off Leakage Current	V <sub>IN</sub> = V <sub>IL</sub> V <sub>NO</sub> = 1.0 V, V <sub>COM</sub> = 4.5 V or V <sub>COM</sub> = 1.0 V and V <sub>NO</sub> 4.5 V	5.5	1.0	10	100	nA
I <sub>COM(OFF)</sub>	Off Leakage Current	V <sub>IN</sub> = V <sub>IL</sub> V <sub>NO</sub> = 4.5 V or 1.0 V V <sub>COM</sub> = 1.0 V or 4.5 V	5.5	1.0	10	100	nA

## AC ELECTRICAL CHARACTERISTICS (Input t<sub>r</sub> = t<sub>f</sub> = 3.0 ns)

Symbol	Parameter	Test Conditions	Guaranteed Max Limit								Unit
			V <sub>CC</sub> = 1.8 V ±0.15 V		V <sub>CC</sub> = 2.5 V ±0.2 V		V <sub>CC</sub> = 3.3 V ±0.3 V		V <sub>CC</sub> = 5.0 V ±0.5 V		
			Min	Max	Min	Max	Min	Max	Min	Max	
t <sub>ON</sub>	Output Enable Time		2.3	10	1.6	5.6	1.5	4.4	1.3	3.9	ns
t <sub>OFF</sub>	Output Disable Time		2.5	10.5	1.2	6.9	2.0	7.2	1.1	6.3	ns
t <sub>PD</sub>	Propagation Delay Time		-	0.55	-	0.5	-	0.35	-	0.25	ns

		Typical @ 25°C, V <sub>CC</sub> = 5.0 V	Unit
C <sub>IN</sub>	Maximum Input Capacitance, Select Input	3.0	pF
C <sub>NO1</sub> or C <sub>NO2</sub>	Analog I/O (Switch Off)	10	
C <sub>COM(OFF)</sub>	Common I/O (Switch Off)	10	
C <sub>COM(ON)</sub>	Feed-through (Switch Off)	10	

# NL7WB66

## ADDITIONAL APPLICATIONS CHARACTERISTICS (Voltage Reference to GND Unless Noted)

Symbol	Parameter	Condition	V <sub>CC</sub> (V)	Typical 25°C	Unit
BW	Maximum On-Channel -3.0 dB Bandwidth or Minimum Frequency Response	V <sub>IS</sub> = 0 dBm V <sub>IS</sub> centered between V <sub>CC</sub> and GND	2.0	102	MHz
			3.0	180	
			4.5	186	
V <sub>ONL</sub>	Maximum Feed-Through On Loss	V <sub>IS</sub> = 0 dBm @ 10 kHz V <sub>IS</sub> centered between V <sub>CC</sub> and GND	2.0	-2.2	dB
			3.0	-0.8	
			4.5	-0.4	
V <sub>ISO</sub>	Off-Channel Isolation	f = 100 kHz V <sub>IS</sub> = 1.0 V RMS V <sub>IS</sub> centered between V <sub>CC</sub> and GND	2.0	-73	dB
			3.0	-74	
			4.5	-75	
Q	Charge Injection Enable Input to Common I/O	V <sub>IS</sub> = V <sub>CC</sub> to GND, F <sub>IS</sub> = 20 kHz t <sub>r</sub> = t <sub>f</sub> = 3.0 nS R <sub>IS</sub> = 0 Ω, C <sub>L</sub> = 100 pF	3.0	4.8	pC
			5.5	7.5	
THD	Total Harmonic Distortion TDH + Noise	F <sub>IS</sub> = 10 Hz to 100 kHz, R <sub>L</sub> = R <sub>gen</sub> = 600 Ω, C <sub>L</sub> = 50 pF V <sub>IS</sub> = 3.0 V <sub>PP</sub> Sine Wave V <sub>IS</sub> = 5.0 V <sub>PP</sub> Sine Wave	3.0	0.19	%
			5.5	0.06	

## DEVICE ORDERING INFORMATION

Device Order Number	Device Nomenclature				Package Type	Tape and Reel Size
	Circuit Indicator	Technology	Device Function	Package Suffix		
NL7WB66USG	NL	AS	2066	US	US8 (Pb-Free)	178 mm (7") 3000 Units / Tape & Reel

†For information on tape and reel specifications, including part orientation and tape sizes, please refer to our Tape and Reel Packaging Specifications Brochure, BRD8011/D.

TIMING INFORMATION

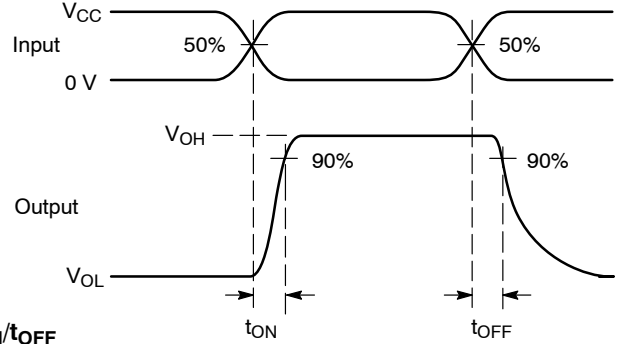
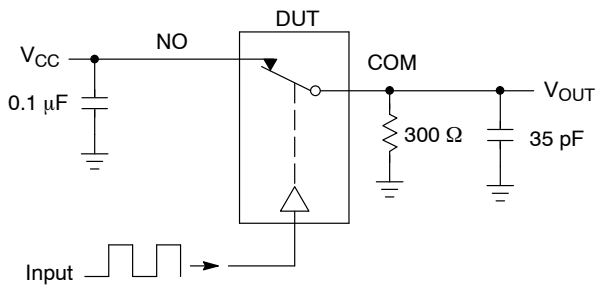


Figure 3.  $t_{ON}/t_{OFF}$

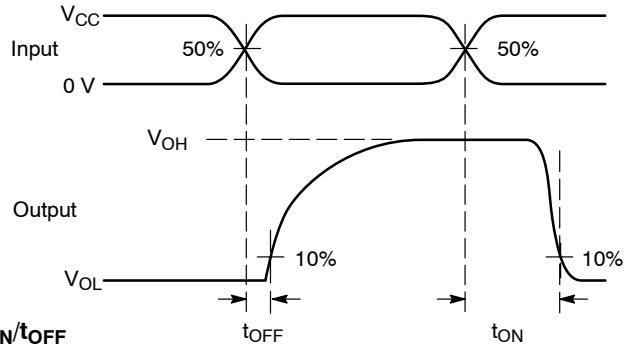
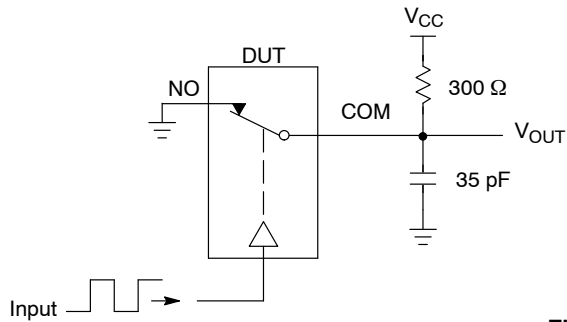
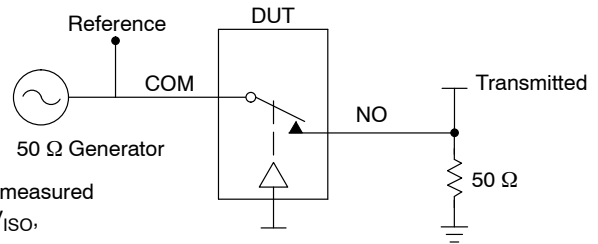


Figure 4.  $t_{ON}/t_{OFF}$



Channel switch control/s test socket is normalized. Off isolation is measured across an off channel. On loss is the bandwidth of an On switch.  $V_{ISO}$ , Bandwidth and  $V_{ONL}$  are independent of the input signal direction.

$$V_{ISO} = \text{Off Channel Isolation} = 20 \text{ Log} \left( \frac{V_{OUT}}{V_{IN}} \right) \text{ for } V_{IN} \text{ at } 100 \text{ kHz}$$

$$V_{ONL} = \text{On Channel Loss} = 20 \text{ Log} \left( \frac{V_{OUT}}{V_{IN}} \right) \text{ for } V_{IN} \text{ at } 100 \text{ kHz to } 50 \text{ MHz}$$

Bandwidth (BW) = the frequency 3 dB below  $V_{ONL}$

Figure 5. Off Channel Isolation/On Channel Loss (BW)/Crosstalk (On Channel to Off Channel)/ $V_{ONL}$

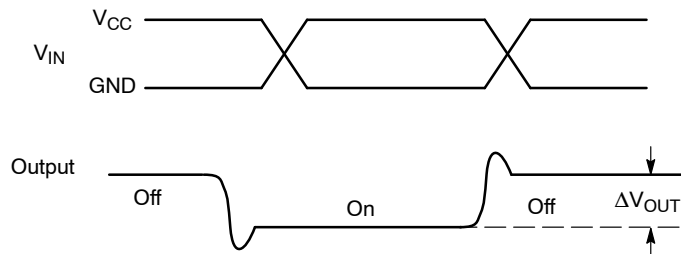
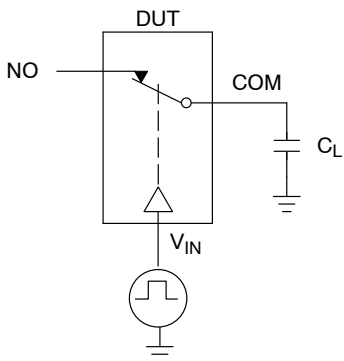
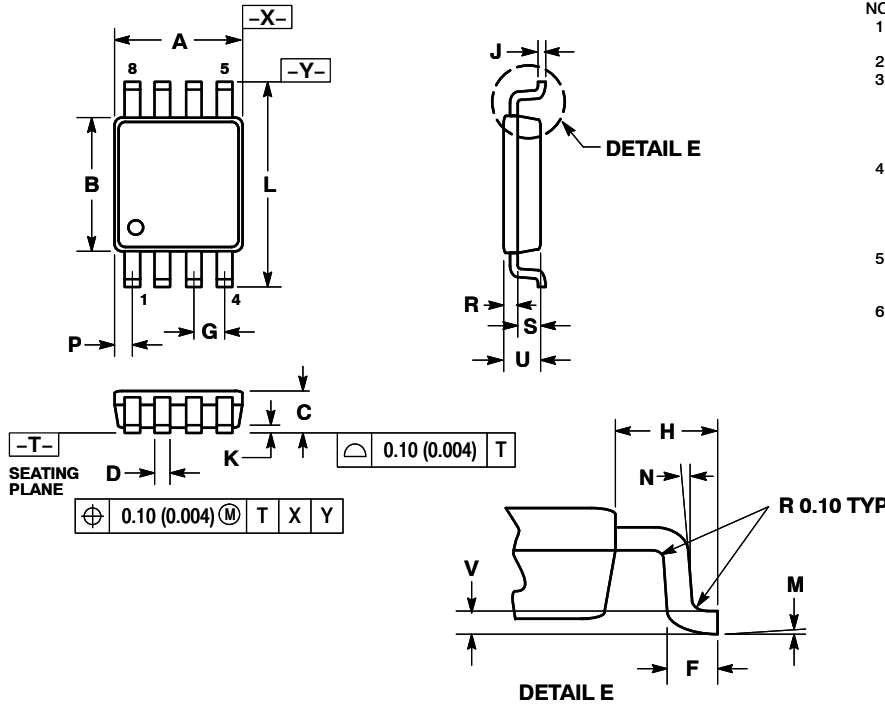


Figure 6. Charge Injection: (Q)

# NL7WB66

## PACKAGE DIMENSIONS

US8  
US SUFFIX  
CASE 493-02  
ISSUE B

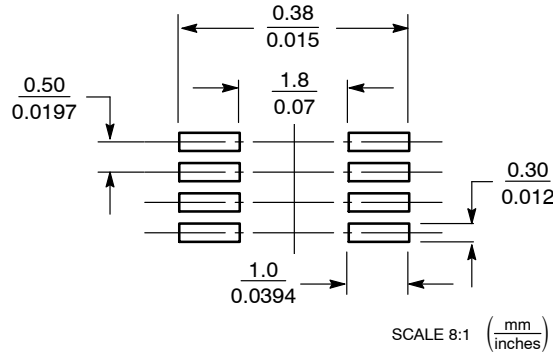


**NOTES:**

1. DIMENSIONING AND TOLERANCING PER ANSI Y14.5M, 1982.
2. CONTROLLING DIMENSION: MILLIMETERS.
3. DIMENSION "A" DOES NOT INCLUDE MOLD FLASH, PROTRUSION OR GATE BURR. MOLD FLASH, PROTRUSION AND GATE BURR SHALL NOT EXCEED 0.140 MM (0.0055") PER SIDE.
4. DIMENSION "B" DOES NOT INCLUDE INTER-LEAD FLASH OR PROTRUSION. INTER-LEAD FLASH AND PROTRUSION SHALL NOT EXCEED 0.140 (0.0055") PER SIDE.
5. LEAD FINISH IS SOLDER PLATING WITH THICKNESS OF 0.0076-0.0203 MM. (300-800 °).
6. ALL TOLERANCE UNLESS OTHERWISE SPECIFIED ±0.0508 (0.0002").

DIM	MILLIMETERS		INCHES	
	MIN	MAX	MIN	MAX
A	1.90	2.10	0.075	0.083
B	2.20	2.40	0.087	0.094
C	0.60	0.90	0.024	0.035
D	0.17	0.25	0.007	0.010
F	0.20	0.35	0.008	0.014
G	0.50 BSC		0.020 BSC	
H	0.40 REF		0.016 REF	
J	0.10	0.18	0.004	0.007
K	0.00	0.10	0.000	0.004
L	3.00	3.20	0.118	0.126
M	0°	6°	0°	6°
N	5°	10°	5°	10°
P	0.23	0.34	0.010	0.013
R	0.23	0.33	0.009	0.013
S	0.37	0.47	0.015	0.019
U	0.60	0.80	0.024	0.031
V	0.12 BSC		0.005 BSC	

### SOLDERING FOOTPRINT\*



\*For additional information on our Pb-Free strategy and soldering details, please download the ON Semiconductor Soldering and Mounting Techniques Reference Manual, SOLDERRM/D.

ON Semiconductor and are registered trademarks of Semiconductor Components Industries, LLC (SCILLC). SCILLC reserves the right to make changes without further notice to any products herein. SCILLC makes no warranty, representation or guarantee regarding the suitability of its products for any particular purpose, nor does SCILLC assume any liability arising out of the application or use of any product or circuit, and specifically disclaims any and all liability, including without limitation special, consequential or incidental damages. "Typical" parameters which may be provided in SCILLC data sheets and/or specifications can and do vary in different applications and actual performance may vary over time. All operating parameters, including "Typicals" must be validated for each customer application by customer's technical experts. SCILLC does not convey any license under its patent rights nor the rights of others. SCILLC products are not designed, intended, or authorized for use as components in systems intended for surgical implant into the body, or other applications intended to support or sustain life, or for any other application in which the failure of the SCILLC product could create a situation where personal injury or death may occur. Should Buyer purchase or use SCILLC products for any such unintended or unauthorized application, Buyer shall indemnify and hold SCILLC and its officers, employees, subsidiaries, affiliates, and distributors harmless against all claims, costs, damages, and expenses, and reasonable attorney fees arising out of, directly or indirectly, any claim of personal injury or death associated with such unintended or unauthorized use, even if such claim alleges that SCILLC was negligent regarding the design or manufacture of the part. SCILLC is an Equal Opportunity/Affirmative Action Employer. This literature is subject to all applicable copyright laws and is not for resale in any manner.

### PUBLICATION ORDERING INFORMATION

**LITERATURE FULFILLMENT:**  
Literature Distribution Center for ON Semiconductor  
P.O. Box 5163, Denver, Colorado 80217 USA  
**Phone:** 303-675-2175 or 800-344-3860 Toll Free USA/Canada  
**Fax:** 303-675-2176 or 800-344-3867 Toll Free USA/Canada  
**Email:** orderlit@onsemi.com

**N. American Technical Support:** 800-282-9855 Toll Free USA/Canada  
**Europe, Middle East and Africa Technical Support:**  
Phone: 421 33 790 2910  
**Japan Customer Focus Center**  
Phone: 81-3-5773-3850

**ON Semiconductor Website:** [www.onsemi.com](http://www.onsemi.com)

**Order Literature:** <http://www.onsemi.com/orderlit>

For additional information, please contact your local Sales Representative



Компания «ЭлектроПласт» предлагает заключение долгосрочных отношений при поставках импортных электронных компонентов на взаимовыгодных условиях!

Наши преимущества:

- Оперативные поставки широкого спектра электронных компонентов отечественного и импортного производства напрямую от производителей и с крупнейших мировых складов;
- Поставка более 17-ти миллионов наименований электронных компонентов;
- Поставка сложных, дефицитных, либо снятых с производства позиций;
- Оперативные сроки поставки под заказ (от 5 рабочих дней);
- Экспресс доставка в любую точку России;
- Техническая поддержка проекта, помощь в подборе аналогов, поставка прототипов;
- Система менеджмента качества сертифицирована по Международному стандарту ISO 9001;
- Лицензия ФСБ на осуществление работ с использованием сведений, составляющих государственную тайну;
- Поставка специализированных компонентов (Xilinx, Altera, Analog Devices, Intersil, Interpoint, Microsemi, Aeroflex, Peregrine, Syfer, Eurofarad, Texas Instrument, Miteq, Cobham, E2V, MA-COM, Hittite, Mini-Circuits, General Dynamics и др.);

Помимо этого, одним из направлений компании «ЭлектроПласт» является направление «Источники питания». Мы предлагаем Вам помощь Конструкторского отдела:

- Подбор оптимального решения, техническое обоснование при выборе компонента;
- Подбор аналогов;
- Консультации по применению компонента;
- Поставка образцов и прототипов;
- Техническая поддержка проекта;
- Защита от снятия компонента с производства.



#### Как с нами связаться

**Телефон:** 8 (812) 309 58 32 (многоканальный)

**Факс:** 8 (812) 320-02-42

**Электронная почта:** [org@eplast1.ru](mailto:org@eplast1.ru)

**Адрес:** 198099, г. Санкт-Петербург, ул. Калинина, дом 2, корпус 4, литера А.