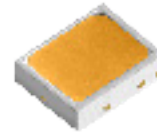


# MP-2016-2100

## Mid Power LED - Preliminary



### Table of Contents

|                                     |    |
|-------------------------------------|----|
| Technology Overview . . . . .       | 2  |
| Product Selection Table . . . . .   | 3  |
| Product Ordering Info. . . . .      | 4  |
| Operation Characteristics . . . . . | 5  |
| Color Bins . . . . .                | 6  |
| Chromaticity Coordinate . . . . .   | 7  |
| Characteristics Graphs . . . . .    | 8  |
| Package dimension . . . . .         | 10 |
| Soldering Pad Pattern . . . . .     | 10 |
| Tape Dimensions . . . . .           | 11 |
| Reel Dimensions . . . . .           | 12 |
| Box Packaging . . . . .             | 13 |
| Storage Condition . . . . .         | 14 |

### Features:

---

- High efficacy
- CRI Options: Minimum 70, 80, 90
- Low thermal resistance
- Compatible with automatic placement equipment
- Compatible with infrared reflow solder process
- RoHs compatible
- RoHs and REACH compliant

### Applications

---

- Linear fluorescent
- A- lamps
- Panel lighting
- Down lights
- Architectural lighting

## Technology Overview

Luminus mid power LEDs are lighting class solutions designed for high performance general lighting applications. These state-of-the-art LEDs allow illumination engineers and designers to develop lighting solutions with maximum efficacy, brightness and overall quality.

### Reliability

Luminus mid power LED is one of the most reliable light sources in the world today. Having passed a rigorous suite of environmental and mechanical stress tests, including mechanical shock, vibration, temperature cycling and humidity, it is fully qualified for use in a wide range of high performance and high efficacy lighting applications.

### REACH & RoHS Compliance

The Luminus 2016 mid power LED is compliant to the Restriction of Hazardous Substances Directive or RoHS. The restricted materials including lead, mercury cadmium, hexavalent chromium, polybrominated biphenyls (PBB) and polybrominated diphenyl ether (PBDE) are not used.

## Understanding Luminus Mid Power LED Test Specifications

Every Luminus LED is fully tested to ensure it meets the high quality standards customers have come to expect from Luminus products.

### Testing Temperature

Luminus Mid Power products are measured at a case temperature of 25°C and placed into intensity, chromaticity and voltage bins as described herein

**Product Selection Table**

 Test condition = 60 mA,  $T_c = 25^\circ\text{C}$ 

| Nominal CCT | Minimum CRI | Ordering Part Number | Minimum Flux (Lumens) | Typical Flux (Lumens) |
|-------------|-------------|----------------------|-----------------------|-----------------------|
| 2200K       | 80          | MP-2016-2100-22-80   | 38                    | 42                    |
| 2700K       | 80          | MP-2016-2100-27-80   | 46                    | 50                    |
|             | 90          | MP-2016-2100-27-90   | 38                    | 42                    |
| 3000K       | 80          | MP-2016-2100-30-80   | 46                    | 52                    |
|             | 90          | MP-2016-2100-30-90   | 42                    | 44                    |
| 3500K       | 80          | MP-2016-2100-35-80   | 46                    | 53                    |
|             | 90          | MP-2016-2100-35-90   | 42                    | 45                    |
| 4000K       | 70          | MP-2016-2100-40-70   | 50                    | 59                    |
|             | 80          | MP-2016-2100-40-80   | 50                    | 55                    |
|             | 90          | MP-2016-2100-40-90   | 42                    | 46                    |
| 5000K       | 70          | MP-2016-2100-50-70   | 50                    | 59                    |
|             | 80          | MP-2016-2100-50-80   | 50                    | 55                    |
|             | 90          | MP-2016-2100-50-90   | 42                    | 46                    |
| 5700K       | 70          | MP-2016-2100-57-70   | 50                    | 59                    |
|             | 80          | MP-2016-2100-57-80   | 50                    | 55                    |
| 6500K       | 70          | MP-2016-2100-65-70   | 50                    | 59                    |
|             | 80          | MP-2016-2100-65-80   | 50                    | 55                    |

\*Tolerance of measurements of the luminous flux is  $\pm 7\%$

\* Tolerance of measurements of the CRI is  $\pm 2$

\*IFP condition with Pulse: Width  $\leq 100\mu\text{s}$  Duty cycle  $\leq 1/10$

## Product Ordering and Shipping Part Number Nomenclature

All mid power products are packaged and labeled with part numbers as outlined in below. When shipped, each reel will contain only a single flux and voltage bin. The part number designation is as follows:

### 2016 Mid Power LEDs

| Mid Power | Package Type | Package Configurator | Nominal CCT | Minimum CRI |
|-----------|--------------|----------------------|-------------|-------------|
| MP        | 2016         | 2100                 | ##          | ##          |

Example:

The part number MP-2016-2100-30-80 refers to a 2016 mid power emitter with nominal color temperature of 3,000k and minimum CRI of 80. Please refer to page 5 for a description of available CCT and CRI combinations.

Note 1: CCT Codes:

27 = 2700 k

30 = 3000 k

35 = 3500 k

40 = 4000 k

50 = 5000 k

57 = 5700 k

65 = 6500 k

Note 2: CRI Codes:

70

80

90

Each mid power product shipped will be labeled with its specific flux and voltage bins. Not all bins listed are available in all CCTs and CRIs.

### Luminus Flux Bins

| Bin Code | Minimum Flux (Lumens) | Maximum Flux (Lumens) |
|----------|-----------------------|-----------------------|
| E2       | 36                    | 38                    |
| E3       | 38                    | 42                    |
| E4       | 42                    | 46                    |
| E5       | 46                    | 50                    |
| E6       | 50                    | 54                    |
| E7       | 54                    | 58                    |
| E8       | 58                    | 62                    |
| E9       | 62                    | 66                    |

### Forward Voltage Bins ( $T_c=25^\circ\text{C}$ )

| Bin Code | Minimum Voltage (Volts) | Maximum Voltage (Volts) |
|----------|-------------------------|-------------------------|
| D        | 5.8                     | 6.1                     |
| E        | 6.1                     | 6.4                     |

\*Tolerance of measurements of the Forward Voltage is  $\pm 0.08\text{V}$

**2016 Mid Power Operating Characteristics**
**Optical and Electrical Characteristics( $T_c=25^\circ\text{C}$ )**

| Parameter               | Symbol          | Minimum | Typical | Maximum | Unit               | Condition         |
|-------------------------|-----------------|---------|---------|---------|--------------------|-------------------|
| Forward Voltage         | $V_f$           | 5.8     | 6.1     | 6.4     | V                  | $I_f=60\text{mA}$ |
| Reverse Current         | $I_r$           |         |         | 10      | $\mu\text{A}$      | $V_r=5\text{V}$   |
| View Angle              | $2\theta^{1/2}$ |         | 110     |         | $^\circ$           | $I_f=60\text{mA}$ |
| Thermal Resistance      | $R_{th_{j-sp}}$ |         | 27      |         | $^\circ\text{C/W}$ | $I_f=60\text{mA}$ |
| Electrostatic Discharge | ESD             | 1000    |         |         | V                  |                   |

Note 1: To prevent damage refer to operating conditions and derating curves for appropriate maximum operating conditions

Note 2: Maximum operating case temperature combined with maximum drive current defines the total maximum operating condition for the device. To prevent damage, please follow derating curves for all operating conditions.

Note 3: Mid power LEDs are designed for operation up to an absolute maximum forward drive current as specified above. Product lifetime data is specified at typical forward drive currents. Sustained operation at absolute maximum currents will result in a reduction of device lifetime compared to typical forward drive currents. Actual device lifetimes will also depend on case temperature. Refer to the current vs. case temperature derating curves for further information.

Note 4: Caution must be taken not to stare at the light emitted from these LEDs. Under special circumstances, the high intensity could damage the eye.

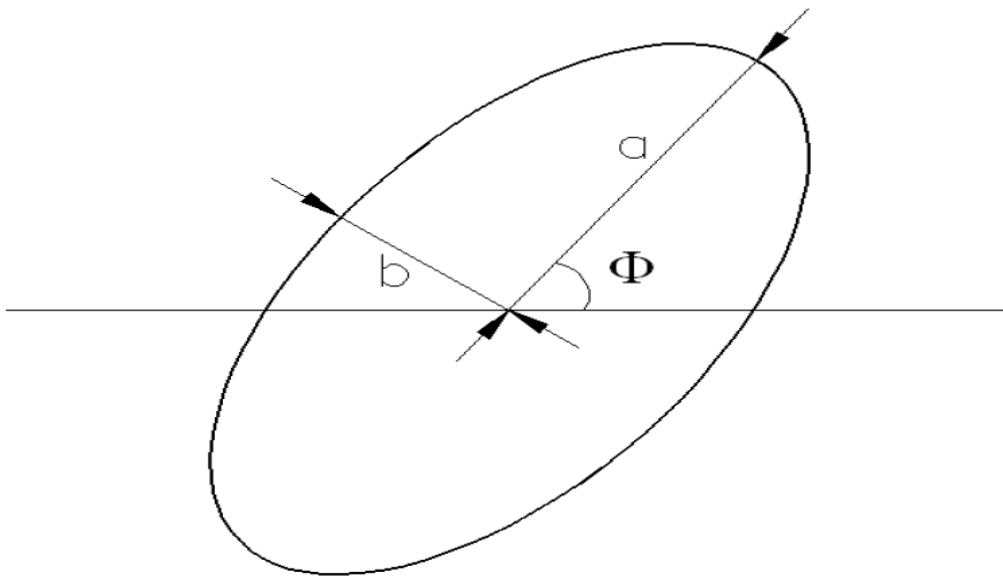
**Absolute Maximum Ratings ( $T_c=25^\circ\text{C}$ )**

| Parameter             | Symbol    | Rating  | Unit             |
|-----------------------|-----------|---|------------------|
| Forward Current       | $I_f$     | 120   | mA               |
| Pulse Forward Current | $I_{fp}$  | 200   | mA               |
| Power Dissipation     | $P_d$     | 768   | mW               |
| Reverse Voltage       | $V_r$     | 5   | V                |
| Operating Temperature | $T_{opr}$ | -40~+85   | $^\circ\text{C}$ |
| Storage Temperature   | $T_{sta}$ | -40~+85   | $^\circ\text{C}$ |
| Junction Temperature  | $T_j$     | 125   | $^\circ\text{C}$ |
| Soldering Temperature | $T_{sld}$ | 230 $^\circ\text{C}$ or 260 $^\circ\text{C}$ for 10 sec |                  |

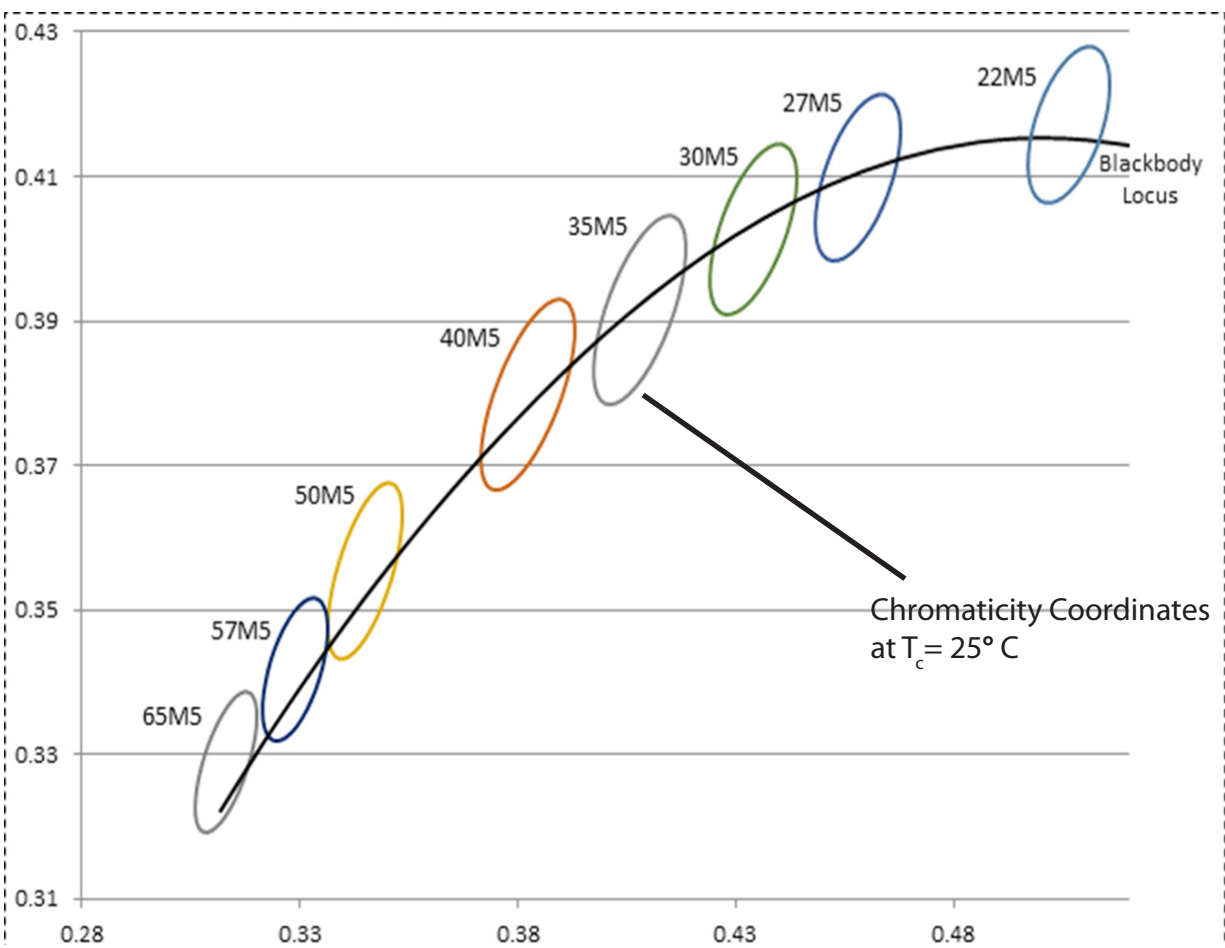
\*IFP condition with Pulse: Width  $\leq 100\mu\text{s}$  Duty cycle  $\leq 1/10$

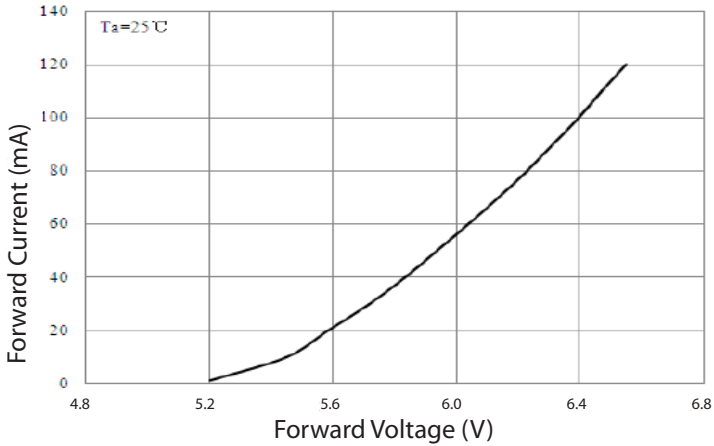
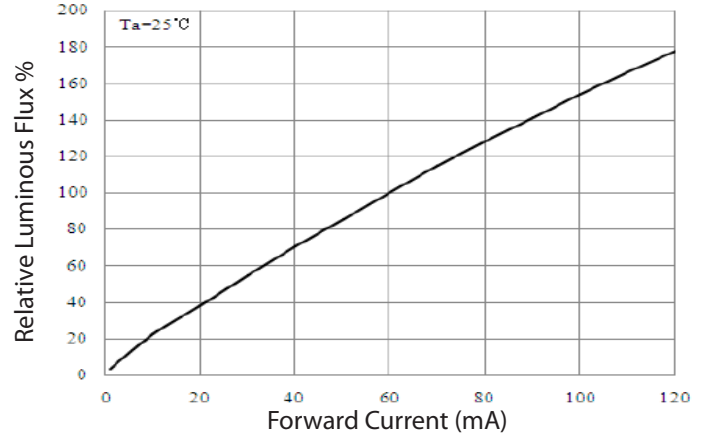
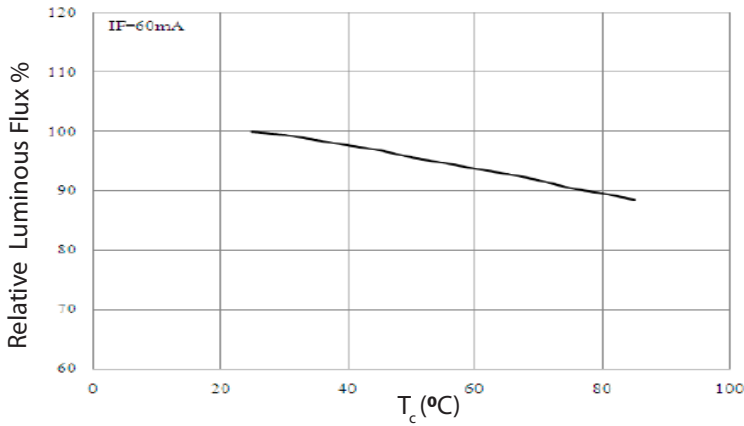
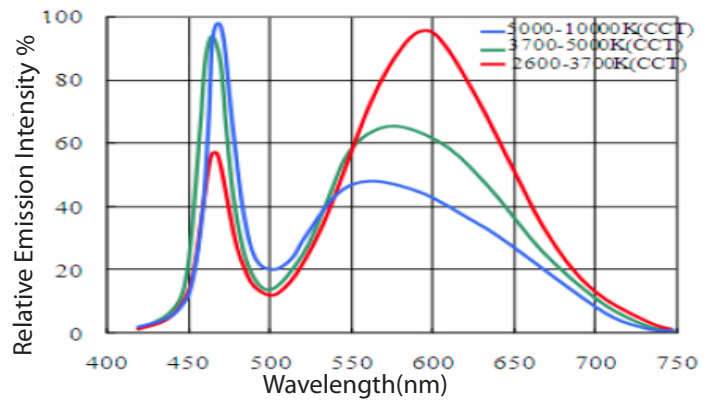
**Color Bins**

| Color Code | Center |        | Radius   |          | Angle(deg) |
|------------|--------|--------|----------|----------|------------|
|            | x      | y      | a        | b        | $\Phi$     |
| 22M5       | 0.5065 | 0.4171 | 0.012500 | 0.00700  | 53.00      |
| 27M5       | 0.4582 | 0.4099 | 0.013500 | 0.007000 | 53.42      |
| 30M5       | 0.4342 | 0.4028 | 0.013900 | 0.006800 | 53.13      |
| 35M5       | 0.4080 | 0.3916 | 0.015450 | 0.006900 | 54.00      |
| 40M5       | 0.3825 | 0.3798 | 0.015650 | 0.006700 | 53.43      |
| 50M5       | 0.3451 | 0.3554 | 0.013700 | 0.005900 | 59.37      |
| 57M5       | 0.3290 | 0.3417 | 0.011175 | 0.005500 | 58.35      |
| 65M5       | 0.3130 | 0.3290 | 0.011150 | 0.004750 | 58.34      |

**Ellipse Definition**


\*Note: Tolerance of measurements of the chromaticity Coordinate is  $\pm 0.005$   
 Chromaticity coordinates as per ANSI standard.

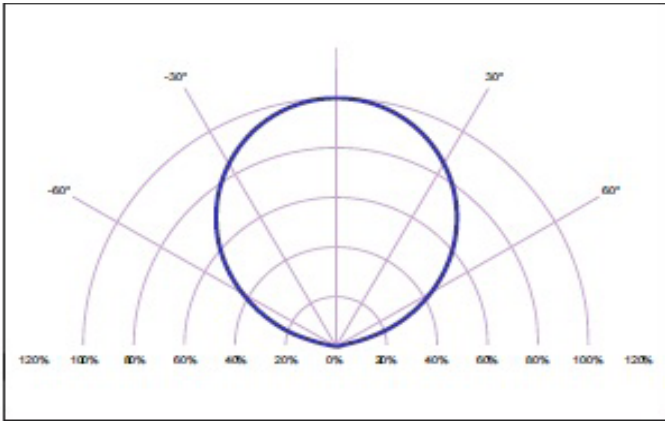
**Chromaticity Coordinate Group**

**Typical optical/Electrical Characteristics Graphs**
 $V_f$ ----- $I_f$ 

 $I_f$ ----- Relative Luminous flux

 $T_c$ -----Relative Luminous Flux

**Wavelength- Relative Emission Intensity**


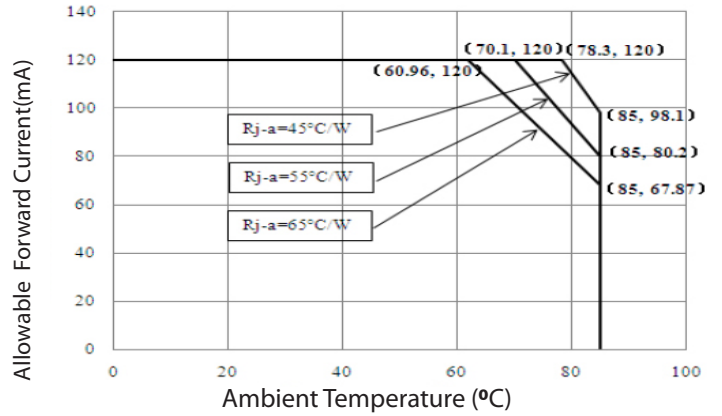


Typical Optical/Electrical Characteristics

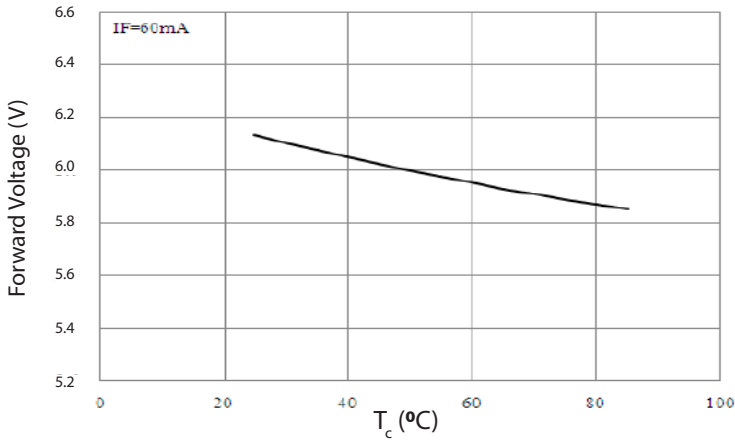
Typical Polar Radiation Pattern



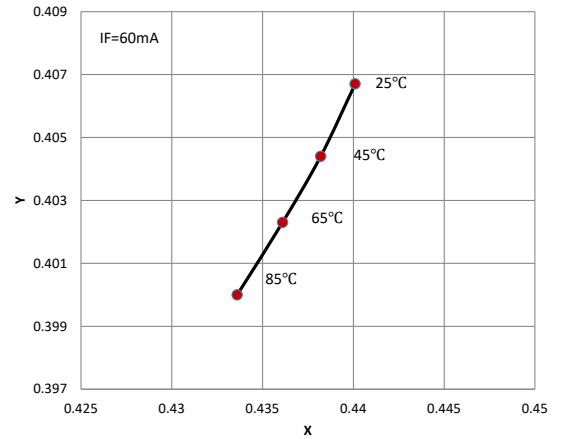
Ambient Temperature-Allowable Forward Current

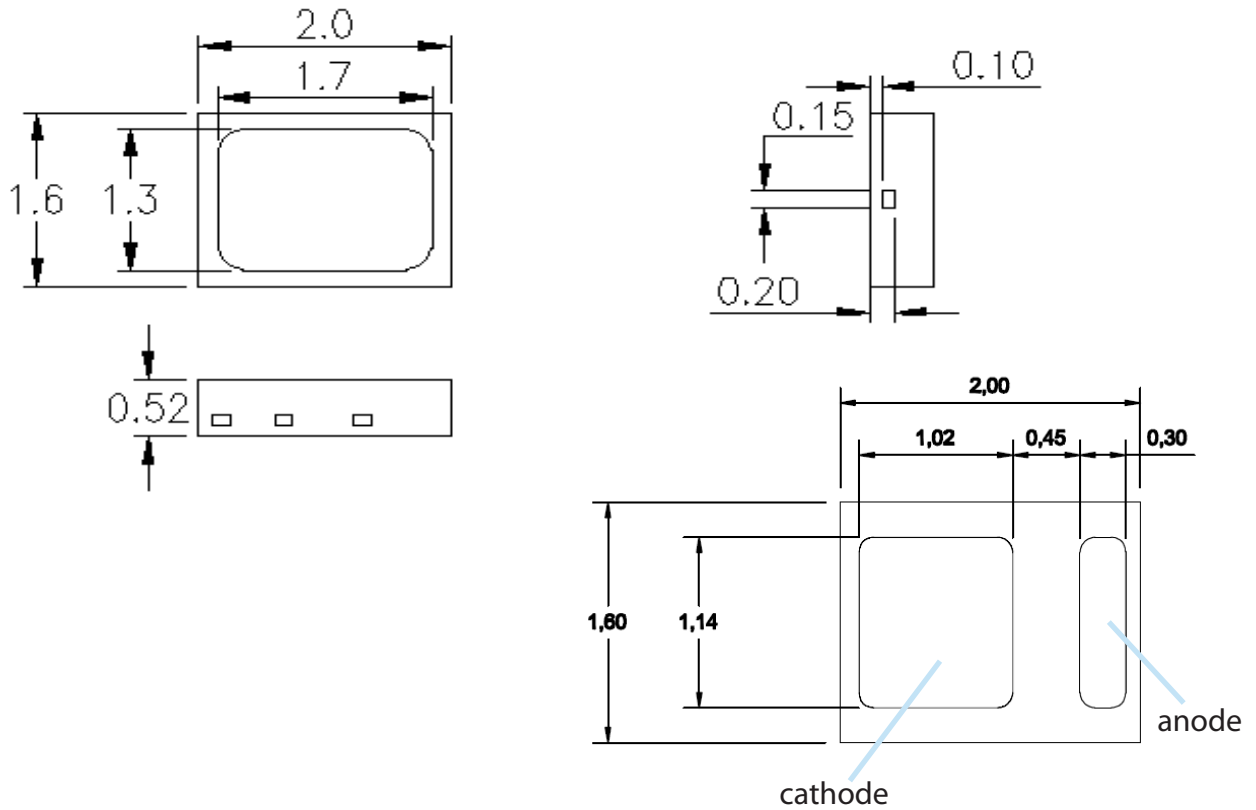
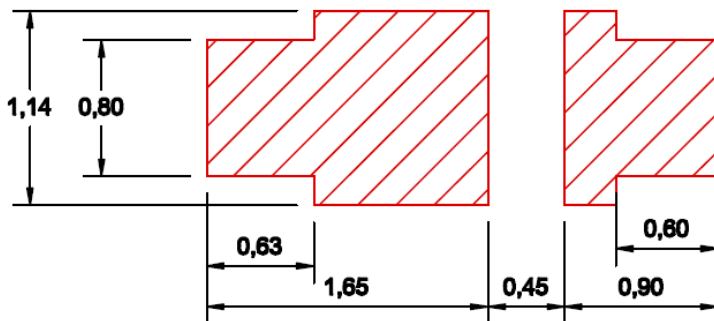
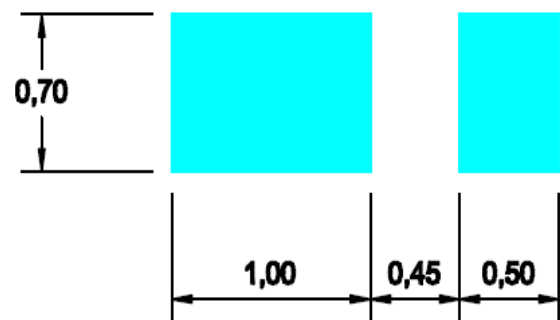


T<sub>c</sub>--Forward Voltage

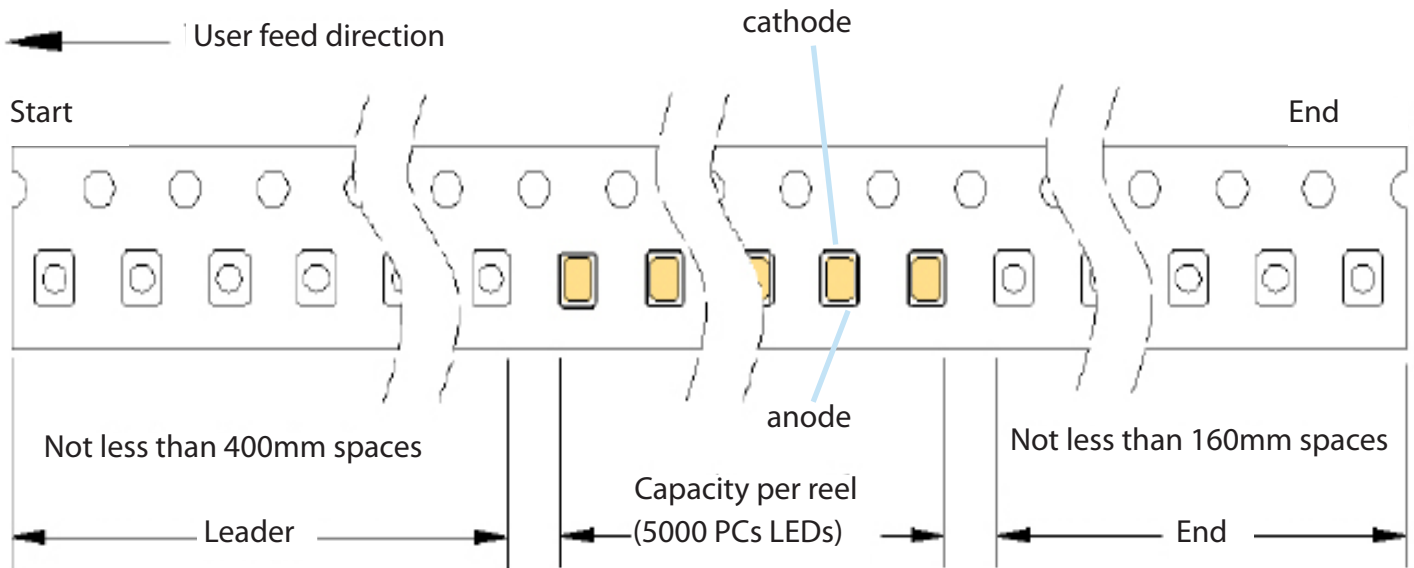
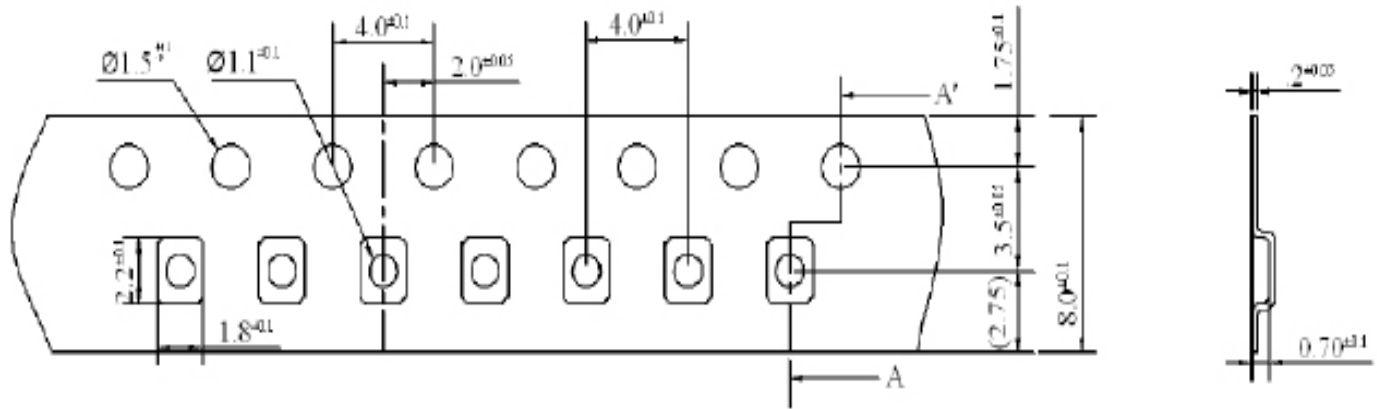


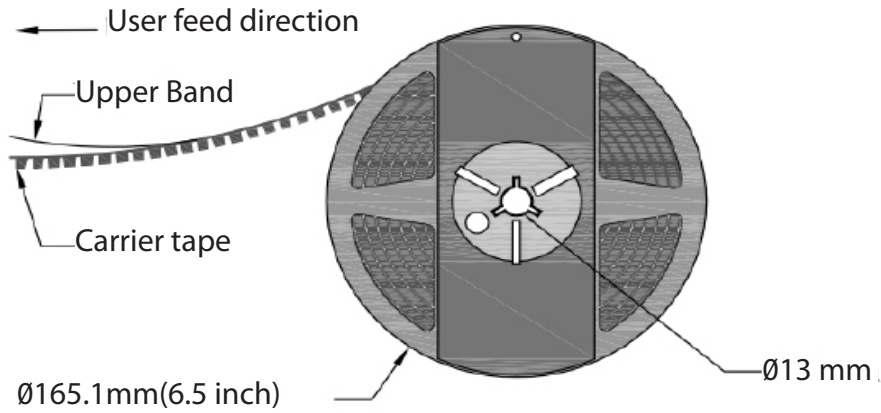
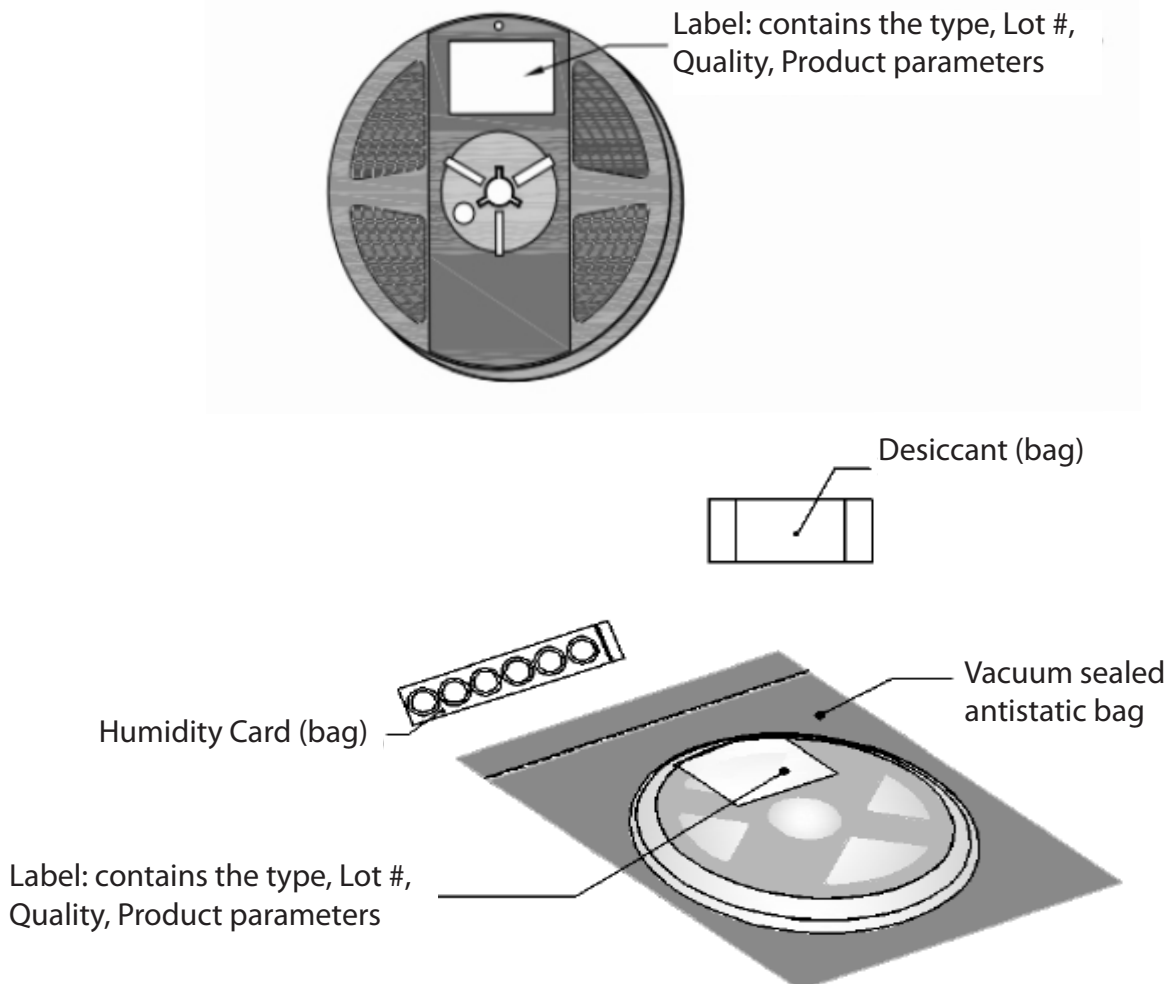
Forward Current --Chromaticity Coordinate



**Package Dimension (mm)**

**Recommended Soldering Pad Pattern and Stencil**
**Soldering Pad Pattern**

**Stencil**


Note: tolerance : .X:  $\pm 0.10\text{mm}$  .XX:  $\pm 0.05\text{mm}$

**Package Dimensions Of Tape(mm)**


**Package Dimensions of Reel (mm)**

**Package Dimensions of Reel (mm)**


**Box Packaging Information**

\*Capacity 5 reels per box



Label: contains the type,  
Lot #, Quality, Product  
parameters



\*Capacity 10 reels per box



Label: contains the type,  
Lot #, Quality, Product  
parameters

### Precaution for Use

#### Storage:

1. This device is rated at MSL 3 per JEDEC J-STD-020 standard.
2. Recommended storage condition:  
At 5 °C- 30 °C and relative humidity 60% RH in its original package
3. After this bag is opened, devices that will be applied to infrared reflow, vapor - phase reflow, or equivalent soldering process must be:
  - a) Completed within 168 hours
  - b) Stored at less than 60%RH
  - c) If not completely used within 168 hours, seal the remaining in the moisture barrier bag
4. Devices require baking before mounting, if 3 a) is not met.
5. If baking is required, devices must be baked under below conditions:  
24 hours at 60C+/-5C

#### Static Electricity:

1. The products are sensitive to static electricity, and care should be taken when handling them.
2. Static electricity or surge voltage will damage the LEDs. It is recommended to wear a anti-electrostatic wristband or an anti-electrostatic gloves when handling the LEDs.
3. All devices, equipment and machinery must be properly grounded. It is recommended that measures be taken against surge voltage to the equipment that mounts the LEDs.

**Change of History**

| Rev | Date       | Detail                                     |
|-----|------------|--|
| 03  | 08/15/2018 | update x,y targeting; chormaticity diagram |
|     |            |  |



Компания «ЭлектроПласт» предлагает заключение долгосрочных отношений при поставках импортных электронных компонентов на взаимовыгодных условиях!

Наши преимущества:

- Оперативные поставки широкого спектра электронных компонентов отечественного и импортного производства напрямую от производителей и с крупнейших мировых складов;
- Поставка более 17-ти миллионов наименований электронных компонентов;
- Поставка сложных, дефицитных, либо снятых с производства позиций;
- Оперативные сроки поставки под заказ (от 5 рабочих дней);
- Экспресс доставка в любую точку России;
- Техническая поддержка проекта, помощь в подборе аналогов, поставка прототипов;
- Система менеджмента качества сертифицирована по Международному стандарту ISO 9001;
- Лицензия ФСБ на осуществление работ с использованием сведений, составляющих государственную тайну;
- Поставка специализированных компонентов (Xilinx, Altera, Analog Devices, Intersil, Interpoint, Microsemi, Aeroflex, Peregrine, Syfer, Eurofarad, Texas Instrument, Miteq, Cobham, E2V, MA-COM, Hittite, Mini-Circuits, General Dynamics и др.);

Помимо этого, одним из направлений компании «ЭлектроПласт» является направление «Источники питания». Мы предлагаем Вам помощь Конструкторского отдела:

- Подбор оптимального решения, техническое обоснование при выборе компонента;
- Подбор аналогов;
- Консультации по применению компонента;
- Поставка образцов и прототипов;
- Техническая поддержка проекта;
- Защита от снятия компонента с производства.



#### Как с нами связаться

**Телефон:** 8 (812) 309 58 32 (многоканальный)

**Факс:** 8 (812) 320-02-42

**Электронная почта:** [org@eplast1.ru](mailto:org@eplast1.ru)

**Адрес:** 198099, г. Санкт-Петербург, ул. Калинина, дом 2, корпус 4, литера А.