

**PLEASE CHECK WWW.MOLEX.COM FOR LATEST PART INFORMATION**

**Part Number:** [0512811294](#)  
**Status:** **Active**  
**Overview:**  
**Description:** 0.50mm (.020") Pitch FFC/FPC Connector, SMT, Right Angle, Non-ZIF, Dual Contact Style, 1.20mm (.047") Mated Height, 12 Circuits, Lead-free, Gold (Au) Plating

**General**

|                |                    |
|----------------|--------------------|
| Product Family | FFC/FPC Connectors |
| Series         | 51281              |
| Overview       | ffc_fpc_smt        |
| Product Name   | N/A                |

**Physical**

|                                |                                |
|--------------------------------|--------------------------------|
| Circuits (Loaded)              | 12                             |
| Color - Resin                  | Natural                        |
| Contact Position               | Dual                           |
| Durability (mating cycles max) | 20                             |
| Entry Angle                    | 90° Angle                      |
| Mated Height (in)              | 0.047 In                       |
| Mated Height (mm)              | 1.20 mm                        |
| Material - Metal               | Phosphor Bronze                |
| Material - Plating Mating      | Gold                           |
| Material - Plating Termination | Tin                            |
| Material - Resin               | High Temperature Thermoplastic |
| Number of Rows                 | 1                              |
| Orientation                    | Right Angle                    |
| PC Tail Length (in)            | 0.020 In                       |
| PC Tail Length (mm)            | 0.50 mm                        |
| PCB Locator                    | No                             |
| PCB Retention                  | Yes                            |
| Packaging Type                 | Embossed Tape on Reel          |
| Pitch - Mating Interface (in)  | 0.020 In                       |
| Pitch - Mating Interface (mm)  | 0.50 mm                        |
| Plating min: Mating (µin)      | 4                              |
| Plating min: Mating (µm)       | 0.1                            |
| Plating min: Termination (µin) | 40                             |
| Plating min: Termination (µm)  | 1                              |
| Polarized to PCB               | Yes                            |
| Stackable                      | No                             |
| Surface Mount Compatible (SMC) | N/A                            |
| Temperature Range - Operating  | -20°C to +85°C                 |
| Termination Interface: Style   | Surface Mount                  |
| Wire/Cable Type                | FFC/FPC                        |

**Electrical**

|                               |      |
|-------------------------------|------|
| Current - Maximum per Contact | 0.5A |
| Voltage - Maximum             | 50V  |

**Material Info**

**Reference - Drawing Numbers**

|                         |   |
|-------------------------|---|
| Packaging Specification | SPK-51281-001   |
| Product Specification   | PS-51281-003, RPS-51281-015, RPS-51281-016, RPS-51281-017, RPS-51281-018, RPS-51281-019 |
| Sales Drawing           | SD-51281-011, SD-51281-012  |

**EU RoHS**

**ELV and RoHS Compliant**

**REACH SVHC**

Not Reviewed

**Halogen-Free**

**Status**

**Not Reviewed**

**China RoHS**



**Need more information on product environmental compliance?**

Email [productcompliance@molex.com](mailto:productcompliance@molex.com)  
 For a multiple part number RoHS Certificate of Compliance, [click here](#)

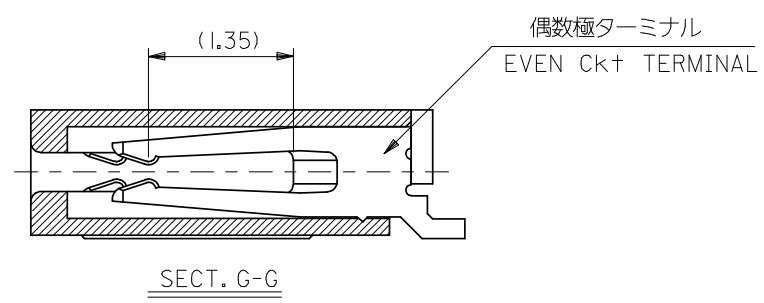
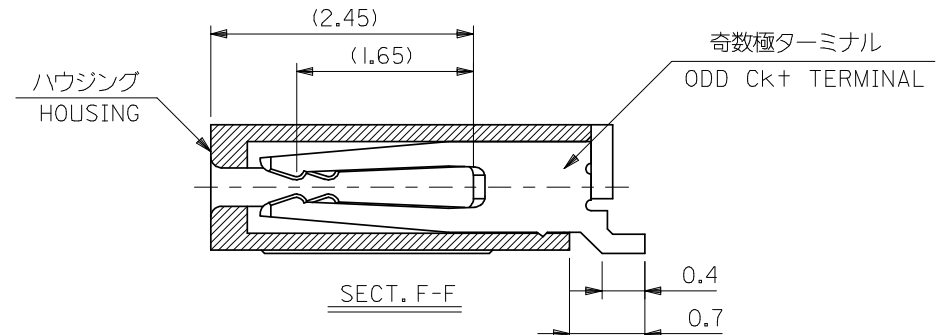
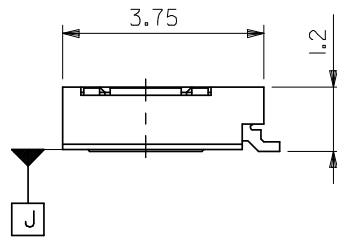
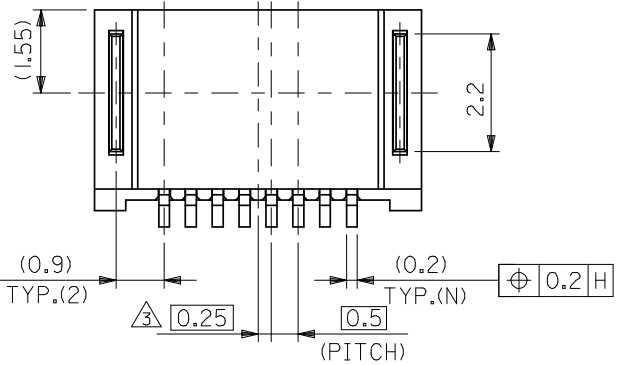
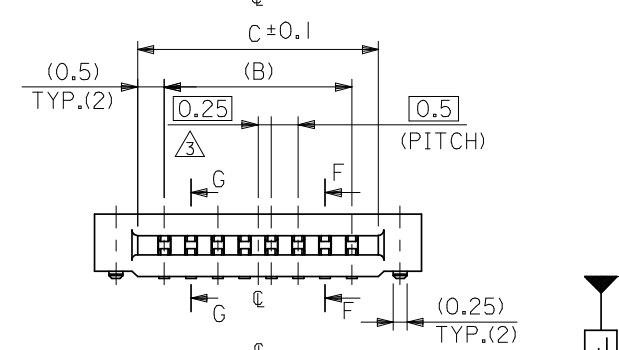
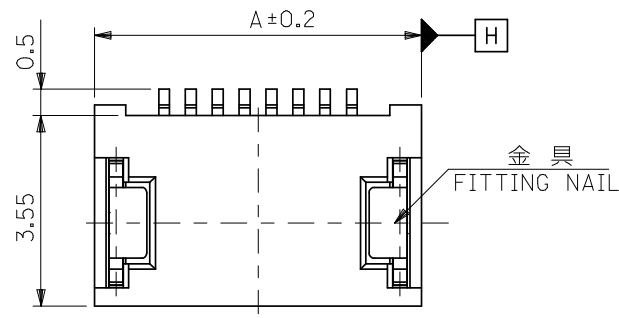
Please visit the [Contact Us](#) section for any non-product compliance questions.

**Search Parts in this Series**

51281Series

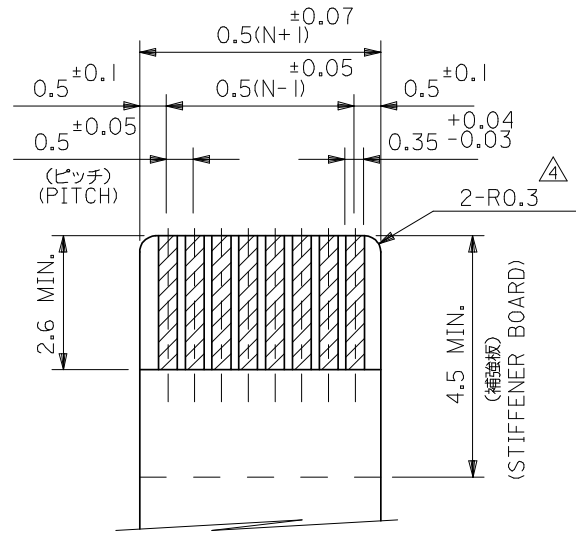
This document was generated on 06/04/2010

**PLEASE CHECK [WWW.MOLEX.COM](http://WWW.MOLEX.COM) FOR LATEST PART INFORMATION**

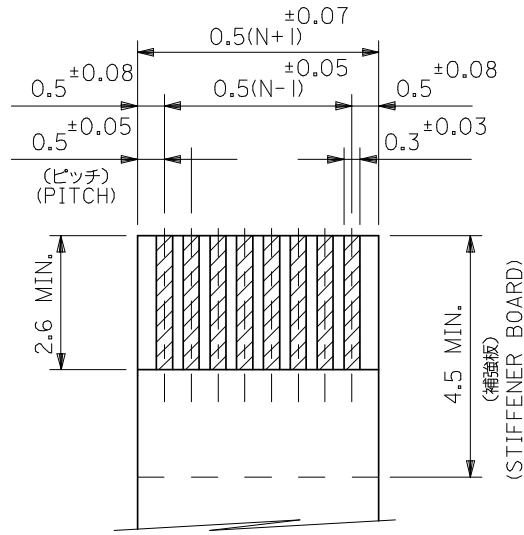


|      |      |      |                                   |              |         |
|------|------|------|-----------------------------------|--------------|---------|
| 13.5 | 12.5 | 15.1 | 51281-2694                        | 51281-2640   | 26      |
| 12.5 | 11.5 | 14.1 | 51281-2494                        | 51281-2440   | 24      |
| 11.5 | 10.5 | 13.1 | 51281-2294                        | 51281-2240   | 22      |
| 10.5 | 9.5  | 12.1 | 51281-2094                        | 51281-2040   | 20      |
| 9.5  | 8.5  | 11.1 | 51281-1894                        | 51281-1840   | 18      |
| 8.5  | 7.5  | 10.1 | 51281-1694                        | 51281-1640   | 16      |
| 7.5  | 6.5  | 9.1  | 51281-1494                        | 51281-1440   | 14      |
| 6.5  | 5.5  | 8.1  | 51281-1294                        | 51281-1240   | 12      |
| 5.5  | 4.5  | 7.1  | 51281-1094                        | 51281-1040   | 10      |
| 5.0  | 4.0  | 6.6  | 51281-0994                        | 51281-0940   | 9       |
| 4.5  | 3.5  | 6.1  | 51281-0894                        | 51281-0840   | 8       |
| 3.5  | 2.5  | 5.1  | 51281-0694                        | 51281-0640   | 6       |
| 3.0  | 2.0  | 4.6  | 51281-0594                        | 51281-0540   | 5       |
| C    | B    | A    | EMBOSSED TAPE<br>ORDER No. オーダー番号 | MATERIAL NO. | CIRCUIT |

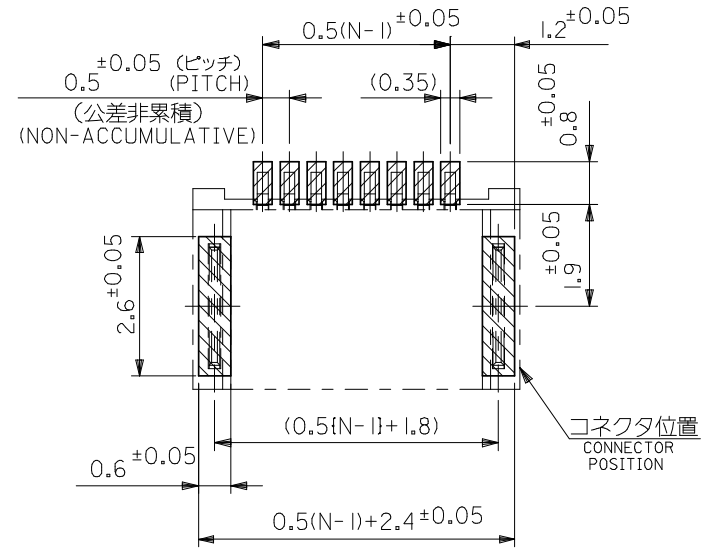
|   |                                       |             |                 |  |   |                        |
|---|---------------------------------------|-------------|-----------------|--|---|------------------------|
| <b>REVISED</b><br>EC NO: J2008-4308<br>DRWN: MWABEI 2008/06/27<br>CHKD: THARUYAMA 2008/06/30<br>APPR: NUKITA 2008/06/30 | GENERAL TOLERANCES (UNLESS SPECIFIED) |             | DIMENSION STYLE | SCALE  | DESIGN UNITS  | THIRD ANGLE PROJECTION |
|   |                                       |             | MM ONLY         | ---  | METRIC  |                        |
|   | 10 UNDER                              | ±0.2        | DRAWN BY        | DATE   | TITLE   |                        |
|   | 10 OVER 30 UNDER                      | ±0.25       | KENSUZUKI       | 2004/10/19   | 0.5 FPC CONN NON-ZIF<br>HSG ASSY (HGT=1.2MM)<br>-LEAD FREE- |                        |
|   | 30 OVER                               | ±0.3        | CHECKED BY      | DATE   | MOLEX INCORPORATED  |                        |
| ANGULAR ±3 °  |                                       | APPROVED BY | DATE            | MATERIAL NO.   | DOCUMENT NO.  | SHEET NO.              |
| DRAFT WHERE APPLICABLE<br>MUST REMAIN<br>WITHIN DIMENSIONS  |                                       | NUKITA      | 2004/10/19      | SEE TABLE  | SD-51281-011  | 1 OF 2                 |
|   |                                       |             | SIZE            | THIS DRAWING CONTAINS INFORMATION THAT IS PROPRIETARY TO MOLEX<br>INCORPORATED AND SHOULD NOT BE USED WITHOUT WRITTEN PERMISSION |   |                        |
|   |                                       |             | A3              |  |   |                        |



適合FPC推奨寸法  
APPLICABLE FPC  
RECOMMENDED DIMENSION  
(仕上がり厚さ: 0.3 ±0.03)  
(THICKNESS: 0.3 ±0.03)



適合FFC推奨寸法  
APPLICABLE FFC  
RECOMMENDED DIMENSION  
(仕上がり厚さ: 0.3 ±0.03)  
(THICKNESS: 0.3 ±0.03)



参考基板レイアウト図  
RECOMMENDED P.C. BOARD LAYOUT  
(マウント面)  
(MOUNTING SIDE)

注記 NOTES

1. 使用材料 MATERIAL  
 ハウジング : 液晶ポリマー ガラス充填 UL94V-0  
 HOUSING : LIQUID CRYSTAL POLYMER (GLASS FILLED) UL94V-0  
 ターミナル : リン青銅 (t=0.2), ニッケル下地    コンタクト部: 金メッキ  
 TERMINAL : PHOSPHOR-BRONZE, CONTACT : GOLD    テール部: 錫メッキ  
 TAIL : TIN  
 OVER NICKEL PLATING  
 金具 : リン青銅 (t=0.25), ニッケル下地 純錫メッキ  
 FITTING NAIL : PHOSPHOR-BRONZE, PURE-TIN OVER NICKEL PLATING.
- △ ソルダータール半田付け面のズレ量、及び金具半田付け面のズレ量は、基準面  $\square$  に対し、上方向 0.1 MAXIMUM 下方向 0.15 MAXIMUM とする。  
 又、相互のバラツキ量は 0.1 MAXIMUM とする。  
 MISALIGNMENT OF SOLDER TAILS AND FITTING NAILS FROM  $\square$   
 UPPER DIRECTION : 0.1 MAXIMUM, LOWER DIRECTION : 0.15 MAXIMUM.  
 OFFSET BETWEEN SOLDER TAILS AND FITTING NAILS : 0.1 MAXIMUM.
- △ 偶数極に適用。  
 TO BE APPLIED ONLY WHEN ALL CIRCUIT ARE EVEN.
- △ R0.3は、FPCの導体部にかからないこと。  
 R0.3 MUST NOT BE ENLAPPED TO PATTERN OF FPC.

5. FPC/FFCについて:  
 打抜き方向は導体側から補強板側を推奨いたします。  
 導体部については軟銅箔35μmまたは50μm  
 メッキ厚 0.1μm 金メッキ (電気メッキ)  
 を推奨いたします。  
 RECOMMENDED PUNCHER DIRECTION :  
 FROM CONDUCTOR SIDE TO STIFFENER BOARD SIDE.  
 RECOMMENDED CONDUCTOR SPEC :  
 THICKNESS OF SOFT COPPER FOIL : 35 μm or 50 μm  
 GOLD PLATING : 0.1 μm (ELECTRICAL PLATING)
6. 本製品は51281-\*\*-20の鉛フリー品である。  
 THIS PRODUCT IS LEAD FREE OF 51281-\*\*-20.
7. ソルダータールの平坦度は、0.1 MAXIMUM とする。  
 SOLDER TAIL COPLANARITY IS 0.1 MAXIMUM.

|   |                                       |  |                            |                    |  |                           |
|---|---------------------------------------|--|----------------------------|--------------------|--|---------------------------|
| REVISED<br>EC NO: J2008-4308<br>DRW: MNABEI 2008/06/27<br>CHKD: THARUYAMA 2008/06/30<br>APPR: NUKITA 2008/06/30 | GENERAL TOLERANCES (UNLESS SPECIFIED) |  | DIMENSION STYLE<br>MM ONLY | SCALE<br>---       | 51281-**-40  | MODEL NO.                 |
|   | 10 UNDER                              | ±0.2   | DRAWN BY<br>KENSUZUKI      | DATE<br>2004/10/19 | DESIGN UNITS<br>METRIC   | THIRD ANGLE<br>PROJECTION |
|   | 10 OVER 30 UNDER                      | ±0.25  | CHECKED BY<br>NUKITA       | DATE<br>2004/10/19 | TITLE<br>0.5 FPC CONN NON-ZIF<br>HSG ASSY (HGT=1.2MM)<br>-LEAD FREE- |                           |
|   | 30 OVER                               | ±0.3   | APPROVED BY<br>NUKITA      | DATE<br>2004/10/19 | MOLEX INCORPORATED   |                           |
|   | ANGULAR ±3°                           |  | MATERIAL NO.               | DOCUMENT NO.       | SHEET NO.<br>2 OF 2  |                           |
| DRAFT WHERE APPLICABLE<br>MUST REMAIN<br>WITHIN DIMENSIONS  |                                       | SEE SHEET 1  | SD-51281-011               |                    |  |                           |
|   |                                       | THIS DRAWING CONTAINS INFORMATION THAT IS PROPRIETARY TO MOLEX<br>INCORPORATED AND SHOULD NOT BE USED WITHOUT WRITTEN PERMISSION |                            |                    |  |                           |

F

E

D

C

B

A

F

E

D

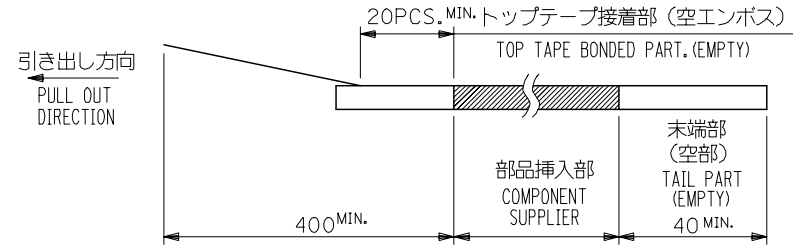
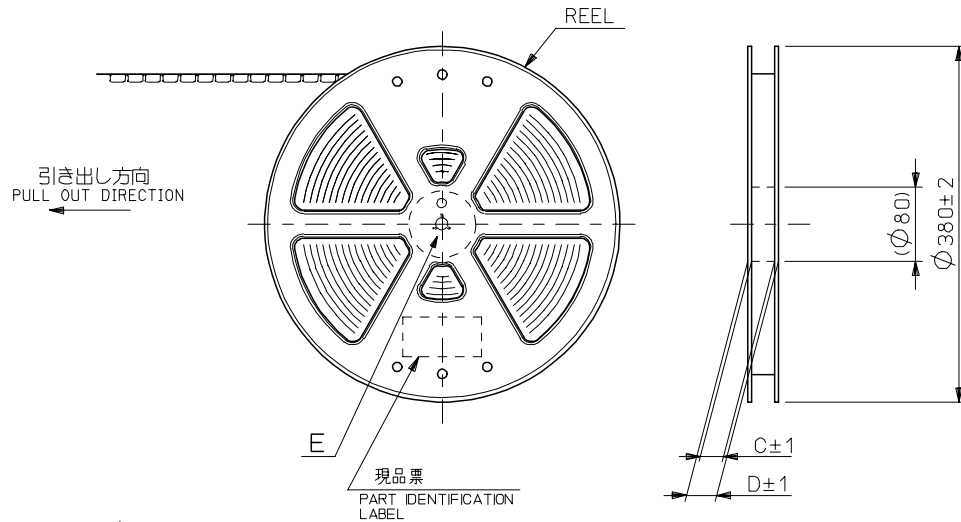
C

B

A

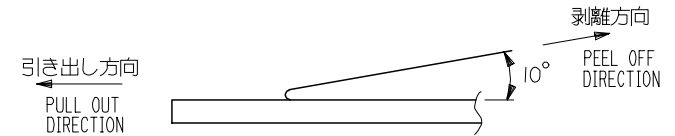
NOTES

- 製品詳細寸法については図面 SD-51281-011 を参照下さい。  
RE DETAILED DIMENSION, SEE SD-51281-011
- 梱包数量：3000個/リール  
NUMBER OF CONNECTORS : 3000PCS/REEL
- リードテープ長さ LEAD TAPE LENGTH

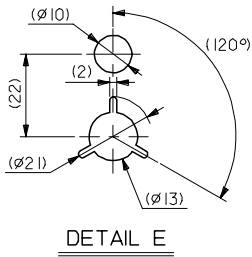


- トップテープの剥離強度：0.1N~1.3N {10gf~130gf} (剥離方向は下図参照)

尚、本規格値は出荷時に適用。(但し、輸送時に剥離が発生しないこと。)  
PEELING OFF FORCE OF TOP TAPE : 0.1N~1.3N {10gf~130gf}  
(PEELING DIRECTION AS SHOWN IN FOLLOWING FIG.)  
THIS REQUIREMENT SHOULD BE APPLIED AT SHIPMENT.  
PEEL OFF SHOULD NOT BE ALLOWED , DURING TRANSPORTATION.



- 材料 (MATERIAL)  
キャリアテープ (CARRIER TAPE) : ポリプロピレン (POLYPROPYLENE)  
トップテープ (TOPTAPE) : PET , PE , PEF  
リール (REEL) : ポリスチレン (PS) <リサイクル材含む>  
POLYSTYREN (PS) <RECYCLE MATERIAL CONTAINED>
- C, D 寸法は SHEET 2 ~ 3 を参照下さい。  
SEE SHEET 2 ~ 3 (DIMENSION C, D).



|   |                                       |  |                            |                           |   |                        |                        |
|---|---------------------------------------|--|----------------------------|---------------------------|---|------------------------|------------------------|
| REVISED<br>EC NO: J2006-0559<br>DRWN: NABEI 2005/08/22<br>CHKD: TOYODA 2005/08/23<br>APPR: NUKITA 2005/08/26                          | GENERAL TOLERANCES (UNLESS SPECIFIED) |  | DIMENSION STYLE<br>MM ONLY |                           | SCALE<br>---  | 51281-xx94             | MODEL NO.              |
|   | 10 UNDER                              | ±0.2   | DRAWN BY<br>KENSUZUKI      | DATE<br>2004/10/19        | TITLE   | DESIGN UNITS<br>METRIC | THIRD ANGLE PROJECTION |
|   | 10 OVER 30 UNDER                      | ±0.25  | CHECKED BY<br>NUKITA       | DATE<br>2004/10/19        | 0.5 FPC CONN NON-ZIF<br>(HGT=1.2MM) EMBSTP PKG<br>-LEAD FREE- | MOLEX                  | SHEET NO.<br>1 OF 4    |
|   | 30 OVER                               | ±0.3   | APPROVED BY<br>NUKITA      | DATE<br>2004/10/19        |   |                        |                        |
| ANGULAR ±3 °  |                                       | DRAFT WHERE APPLICABLE<br>MUST REMAIN<br>WITHIN DIMENSIONS |                            | MATERIAL NO.<br>SEE CHART | DOCUMENT NO.<br>SD-51281-012                                  |                        |                        |
| SIZE A3 THIS DRAWING CONTAINS INFORMATION THAT IS PROPRIETARY TO MOLEX INCORPORATED AND SHOULD NOT BE USED WITHOUT WRITTEN PERMISSION |                                       |  |                            |                           |   |                        |                        |

10 9 8 7 6 5 4 3 2 1

F

E

D

C

B

A

F

E

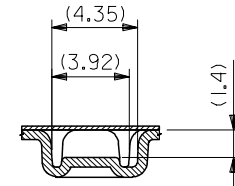
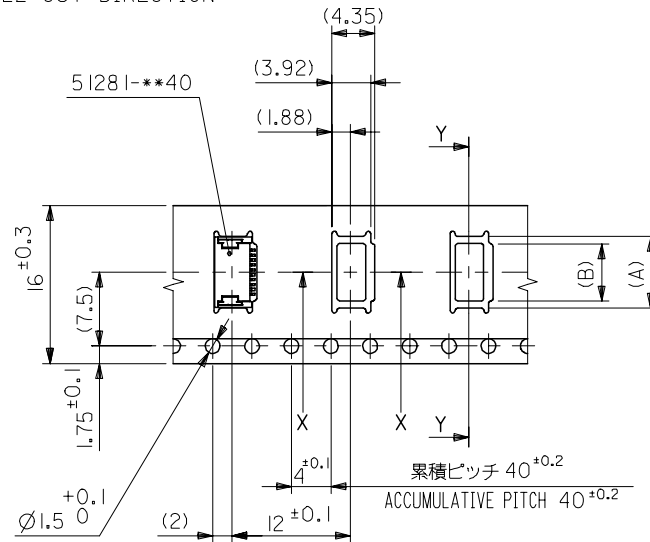
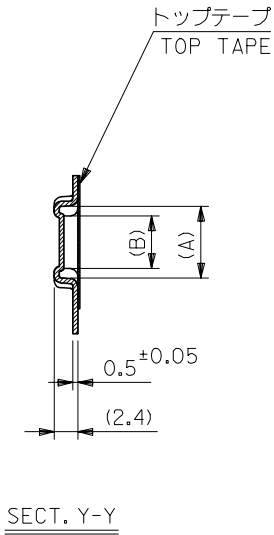
D

C

B

A

引き出し方向  
PULL OUT DIRECTION



16mm幅キャリアテープ  
16mm WIDTH CARRIER TAPE

|                                |      |      |     |     |                      |           |
|--------------------------------|------|------|-----|-----|----------------------|-----------|
| 16                             | 21.4 | 17.4 | 4.3 | 6.3 | 51281-0894           | 8         |
|                                |      |      | 3.3 | 5.3 | 51281-0694           | 6         |
|                                |      |      | 2.8 | 4.8 | 51281-0594           | 5         |
| キャリアテープ幅<br>CARRIER TAPE WIDTH | D    | C    | (B) | (A) | 製品番号<br>MATERIAL No. | 極数<br>Ck+ |
| 51281-***94                    |      |      |     |     | MODEL NO.            |           |

|  |                                       |  |                            |                    |  |                              |
|--|---------------------------------------|--|----------------------------|--------------------|--|------------------------------|
| REVISED<br>EC NO: J2006-0559<br>DRWN: NABEI 2005/08/22<br>CHK: K: TOYODA 2005/08/23<br>APPR: NUKITA 2005/08/26 | GENERAL TOLERANCES (UNLESS SPECIFIED) |  | DIMENSION STYLE<br>MM ONLY | SCALE<br>---       | DESIGN UNITS<br>METRIC   | THIRD ANGLE PROJECTION       |
|  | 10 UNDER                              | ± 0.2  | DRAWN BY<br>KENSUZUK       | DATE<br>2004/10/19 | TITLE<br>0.5 FPC CONN NON-ZIF<br>(HGT=1.2MM) EMBSTP PKG<br>-LEAD FREE- |                              |
|  | 10 OVER 30 UNDER                      | ± 0.25   | CHECKED BY<br>NUKITA       | DATE<br>2004/10/19 | MOLEX INCORPORATED   |                              |
|  | 30 OVER                               | ± 0.3  | APPROVED BY<br>NUKITA      | DATE<br>2004/10/19 | MATERIAL NO.   | DOCUMENT NO.<br>SD-51281-012 |
|  | ANGULAR                               | ± 3 °  | SEE CHART                  |                    |  |                              |
| DRAFT WHERE APPLICABLE<br>MUST REMAIN<br>WITHIN DIMENSIONS   |                                       | THIS DRAWING CONTAINS INFORMATION THAT IS PROPRIETARY TO MOLEX<br>INCORPORATED AND SHOULD NOT BE USED WITHOUT WRITTEN PERMISSION |                            |                    |  |                              |

9

8

7

6

5

4

3

2

10 9 8 7 6 5 4 3 2 1

F

E

D

C

B

A

F

E

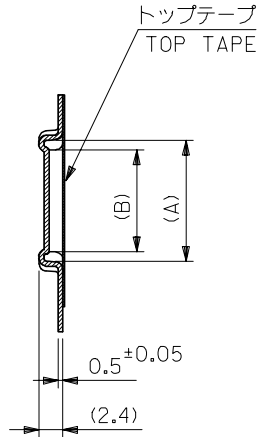
D

C

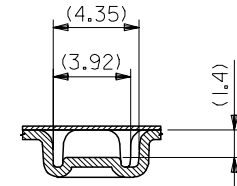
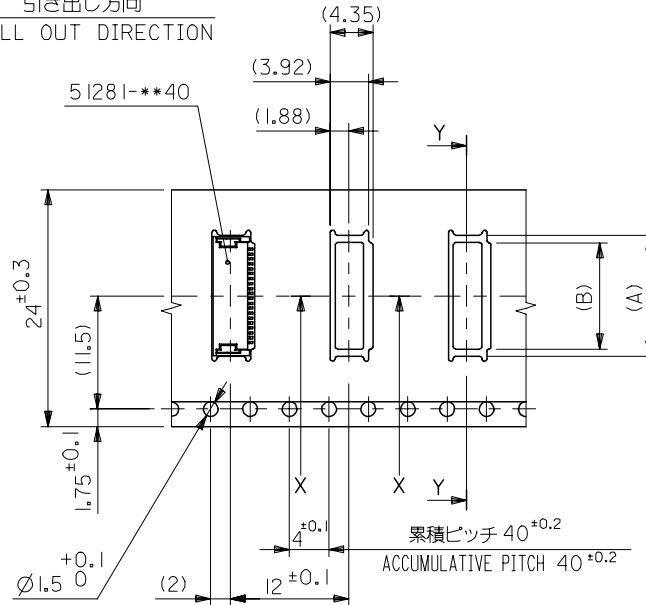
B

A

引き出し方向  
PULL OUT DIRECTION



SECT. Y-Y



SECT. X-X

24mm幅キャリアテープ  
24mm WIDTH CARRIER TAPE

|                                |      |      |      |      |            |           |                      |           |
|--------------------------------|------|------|------|------|------------|-----------|----------------------|-----------|
| 24                             | 29.4 | 25.4 | 12.3 | 14.3 | 51281-2494 | 24        |                      |           |
|                                |      |      | 11.3 | 13.3 | 51281-2294 | 22        |                      |           |
|                                |      |      | 10.3 | 12.3 | 51281-2094 | 20        |                      |           |
|                                |      |      | 9.3  | 11.3 | 51281-1894 | 18        |                      |           |
|                                |      |      | 8.3  | 10.3 | 51281-1694 | 16        |                      |           |
|                                |      |      | 7.3  | 9.3  | 51281-1494 | 14        |                      |           |
|                                |      |      | 6.3  | 8.3  | 51281-1294 | 12        |                      |           |
|                                |      |      | 5.3  | 7.3  | 51281-1094 | 10        |                      |           |
|                                |      |      | 4.8  | 6.8  | 51281-0994 | 9         |                      |           |
| キャリアテープ幅<br>CARRIER TAPE WIDTH |      |      | D    | C    | (B)        | (A)       | 製品番号<br>MATERIAL No. | 極数<br>Ck+ |
| 51281-**-94                    |      |      |      |      |            |           |                      |           |
|                                |      |      |      |      |            | MODEL No. |                      |           |

|   |   |  |  |                       |                    |                           |  |                              |
|---|---|--|--|-----------------------|--------------------|---------------------------|--|------------------------------|
| REVISED<br>EC NO: J2006-0559<br>DRWN: NABEI 2005/08/22<br>CHKD: KTOYODA 2005/08/23<br>APPR: NUKITA 2005/08/26 | DESCRIPTION<br>GENERAL TOLERANCES<br>(UNLESS SPECIFIED) | DIMENSION STYLE<br>MM ONLY                                 |  | SCALE                 | DESIGN UNITS       | THIRD ANGLE<br>PROJECTION |  |                              |
|   |   | 10 UNDER ±0.2<br>10 OVER 30 UNDER ±0.25<br>30 OVER ±0.3    |  | ---                   | METRIC             |                           |  |                              |
|   |   | ANGULAR ±3 °   |  | DRAWN BY<br>KENSUZUKI | DATE<br>2004/10/19 |                           | TITLE<br>0.5 FPC CONN NON-ZIF<br>(HGT=1.2MM) EMBSTP PKG<br>-LEAD FREE- |                              |
|   |   | DRAFT WHERE APPLICABLE<br>MUST REMAIN<br>WITHIN DIMENSIONS |  | CHECKED BY<br>NUKITA  | DATE<br>2004/10/19 |                           | MOLEX INCORPORATED   |                              |
|   |   |  |  | APPROVED BY<br>NUKITA | DATE<br>2004/10/19 |                           | MATERIAL NO.<br>SEE CHART  | DOCUMENT NO.<br>SD-51281-012 |

9

8

7

6

5

4

3

2

10 9 8 7 6 5 4 3 2 1

F

F

E

E

D

D

C

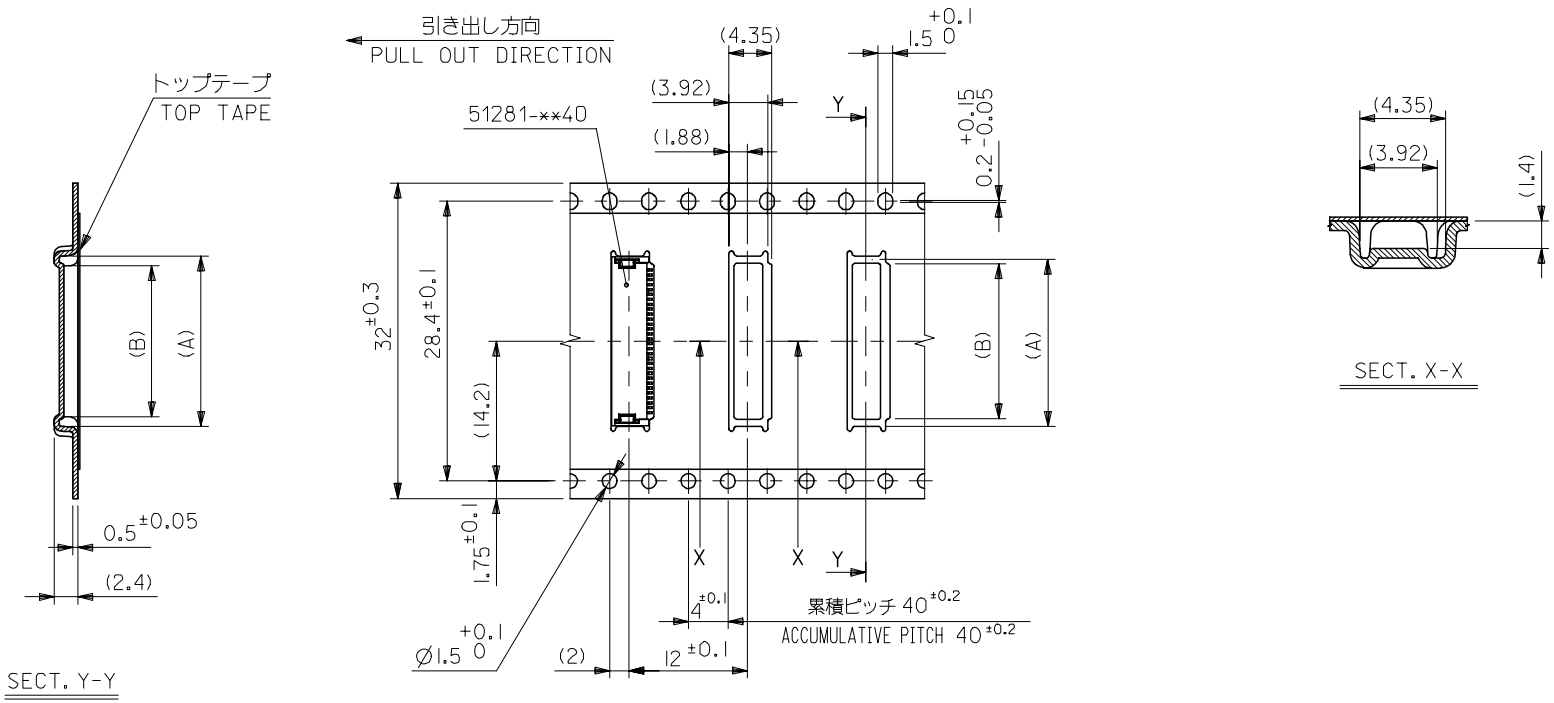
C

B

B

A

A



32mm幅キャリアテープ  
32mm WIDTH CARRIER TAPE

|                                |      |      |      |      |                      |           |
|--------------------------------|------|------|------|------|----------------------|-----------|
| 32                             | 37.4 | 33.4 | 13.3 | 15.3 | 51281-2694           | 26        |
| キャリアテープ幅<br>CARRIER TAPE WIDTH | D    | C    | (B)  | (A)  | 製品番号<br>MATERIAL No. | 極数<br>CK+ |

|   |                                       |           |                            |                    |   |                        |                        |
|---|---------------------------------------|-----------|----------------------------|--------------------|---|------------------------|------------------------|
| REVISED<br>EC NO: J2006-0559<br>DRWN: NABEI 2005/08/22<br>CHKDK: TOYODA 2005/08/23<br>APPR: NUKITA 2005/08/26 | GENERAL TOLERANCES (UNLESS SPECIFIED) |           | DIMENSION STYLE<br>MM ONLY |                    | SCALE<br>---  | DESIGN UNITS<br>METRIC | THIRD ANGLE PROJECTION |
|   | 10 UNDER                              | ±0.2      | DRAWN BY<br>KENSUZUKI      | DATE<br>2004/10/19 | TITLE<br>0.5 FPC CONN NON-ZIF<br>(HGT=1.2MM) EMBSTP PKG<br>-LEAD FREE-              |                        |                        |
|   | 10 OVER 30 UNDER                      | ±0.25     | CHECKED BY<br>NUKITA       | DATE<br>2004/10/19 |   |                        |                        |
|   | 30 OVER                               | ±0.3      | APPROVED BY<br>NUKITA      | DATE<br>2004/10/19 | MOLEX INCORPORATED<br>MATERIAL NO. _____ DOCUMENT NO. SD-51281-012 SHEET NO. 4 OF 4 |                        |                        |
| ANGULAR   | ±3 °                                  | SEE CHART |                            |                    |   |                        |                        |

DRAFT WHERE APPLICABLE  
MUST REMAIN  
WITHIN DIMENSIONS

SIZE A3 THIS DRAWING CONTAINS INFORMATION THAT IS PROPRIETARY TO MOLEX INCORPORATED AND SHOULD NOT BE USED WITHOUT WRITTEN PERMISSION

9

8

7

6

5

4

3

2





Компания «ЭлектроПласт» предлагает заключение долгосрочных отношений при поставках импортных электронных компонентов на взаимовыгодных условиях!

Наши преимущества:

- Оперативные поставки широкого спектра электронных компонентов отечественного и импортного производства напрямую от производителей и с крупнейших мировых складов;
- Поставка более 17-ти миллионов наименований электронных компонентов;
- Поставка сложных, дефицитных, либо снятых с производства позиций;
- Оперативные сроки поставки под заказ (от 5 рабочих дней);
- Экспресс доставка в любую точку России;
- Техническая поддержка проекта, помощь в подборе аналогов, поставка прототипов;
- Система менеджмента качества сертифицирована по Международному стандарту ISO 9001;
- Лицензия ФСБ на осуществление работ с использованием сведений, составляющих государственную тайну;
- Поставка специализированных компонентов (Xilinx, Altera, Analog Devices, Intersil, Interpoint, Microsemi, Aeroflex, Peregrine, Syfer, Eurofarad, Texas Instrument, Miteq, Cobham, E2V, MA-COM, Hittite, Mini-Circuits, General Dynamics и др.);

Помимо этого, одним из направлений компании «ЭлектроПласт» является направление «Источники питания». Мы предлагаем Вам помощь Конструкторского отдела:

- Подбор оптимального решения, техническое обоснование при выборе компонента;
- Подбор аналогов;
- Консультации по применению компонента;
- Поставка образцов и прототипов;
- Техническая поддержка проекта;
- Защита от снятия компонента с производства.



#### Как с нами связаться

**Телефон:** 8 (812) 309 58 32 (многоканальный)

**Факс:** 8 (812) 320-02-42

**Электронная почта:** [org@eplast1.ru](mailto:org@eplast1.ru)

**Адрес:** 198099, г. Санкт-Петербург, ул. Калинина, дом 2, корпус 4, литера А.