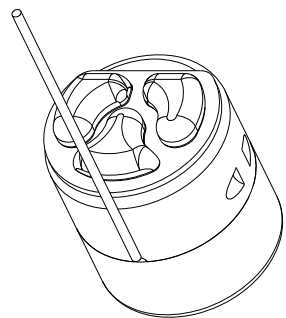
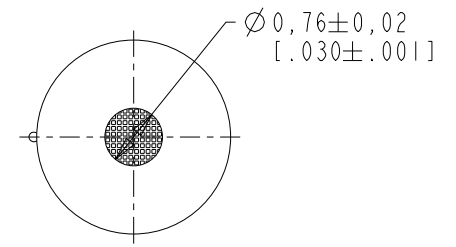
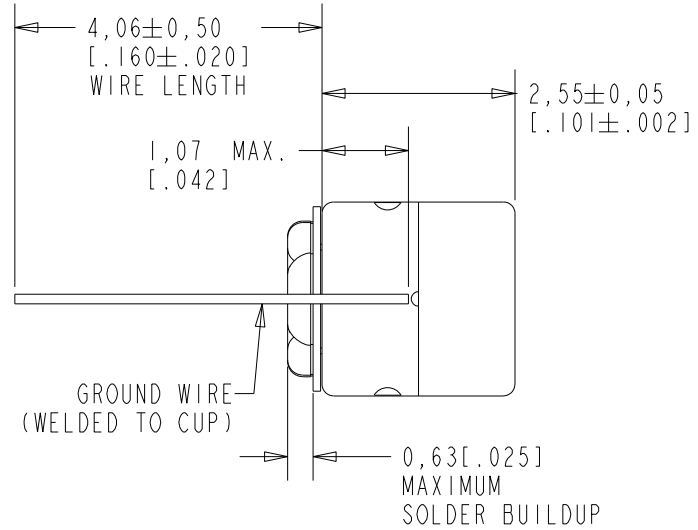
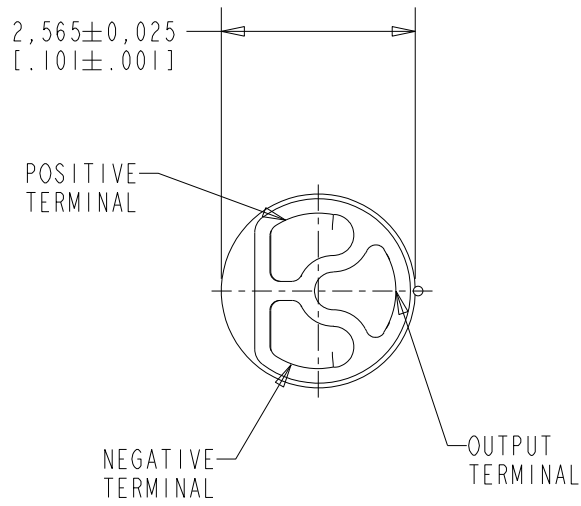


FG45-32335-P03
SHT 1.1

NOTES:

1. INCREASED PRESSURE AT THE SOUND INLET CAUSES A POSITIVE GOING VOLTAGE TO APPEAR AT THE OUTPUT TERMINAL, RELATIVE TO THE NEGATIVE TERMINAL.



DIMENSIONS IN MILLIMETERS [INCHES]

RED CONTROLLED

Revision	C.O. #	Implementation Date	RELEASE LEVEL	REVISION
B	M10106474	12-28-15	Active	B
A	C40101457	3-24-15		

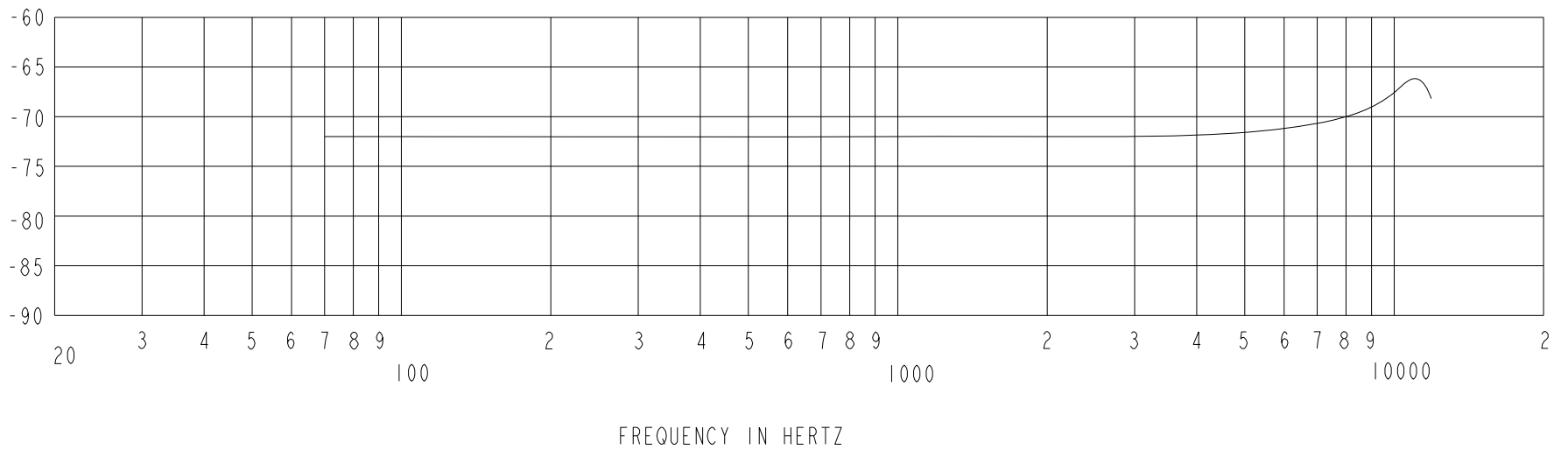
SCALE: 10:1		DR. BY: LW	DATE: 3-24-15
DO NOT SCALE DRAWING			
TITLE: MICROPHONE		APP. BY: GJP	DATE: 3-26-15
OUTLINE DRAWING		FG45-32335-P03	SHT 1.1
		APP. BY: GJP	DATE: 3-26-15

KNOWLES CORPORATION

RoHS COMPLIANT

SENSITIVITY IN dB RELATIVE TO 1.0 VOLT/0.1 Pa (N/M²)
FOR CONDITIONS SHOWN BELOW

TYPICAL SENSITIVITY

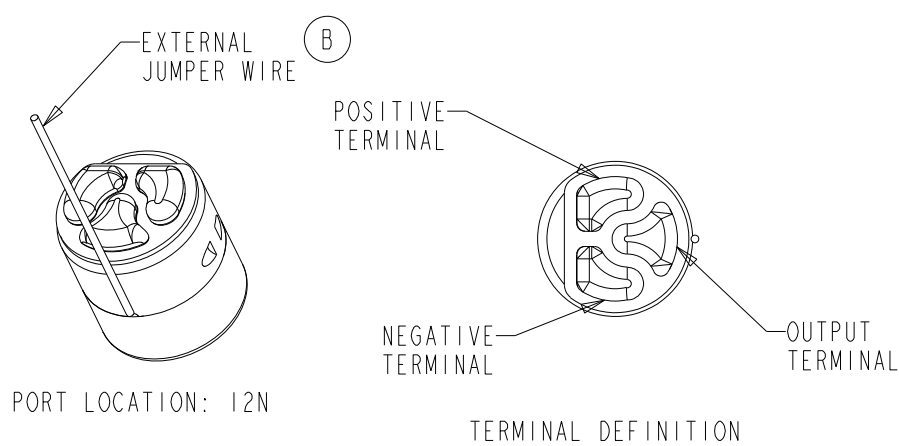


SENSITIVITY MEASURED IN A PRESSURE CAVITY UNDER THE NOMINAL CONDITIONS SHOWN BELOW

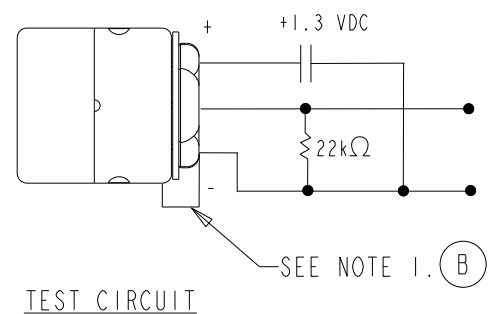
POWER REQUIREMENT					
PARAMETER	UNIT	MINIMUM	NOMINAL	MAXIMUM	REMARKS
DC POWER SUPPLY	VDC	0.9	1.3	10.0	-

PERFORMANCE						
PARAMETERS		UNIT	MINIMUM	NOMINAL	MAXIMUM	REMARKS
SENSITIVITY	80 Hz	dB	-2.0	0	+2.0	re SENSITIVITY AT 1 kHz
	1000 Hz	dB	-75.0	-72.0	-69.0	dB re 1V/0.1Pa
	10000 Hz	dB	1.5	4.5	7.5	re SENSITIVITY AT 1 kHz
SENSITIVITY CHANGE ON REDUCING SUPPLY TO 0.9 VDC	1000 Hz	dB	-3.0	0.0	3.0	REDUCED FROM 1.3 VDC TO 0.9 VDC
AMPLIFIER CURRENT DRAIN		µA	-	17	40	-
OUTPUT LOAD VOLTAGE		V _L	0.20	0.40	0.90	WITH TEST CIRCUIT
A-WEIGHTED NOISE		dB(V)	-108	-101.5	95	REF. 1 Vrms
OUTPUT IMPEDANCE		Ohms	2750	4400	6750	

- NOTES: 1. CASE CONNECTED TO NEGATIVE TERMINAL USING EXTERNAL JUMPER WIRE. (B)
 2. SENSITIVITY AND NOISE VALUES INDICATED ON THIS SPECIFICATION ARE VALID AT 1.3 VDC AND 22kOHM LOAD IMPEDANCE TYPICAL TEST ENVIRONMENT: 50% RH, 21°C (70°F)
 3. MICROPHONE TO BE FUNCTIONAL WITH 10V DC SUPPLY



RED CONTROLLED



Revision	C.O. #	Implementation Date	RELEASE LEVEL	REVISION
B	M10106474	12-28-15	Active	B
A	C40101457	3-24-15		

KNOWLES CORPORATION

TITLE: MICROPHONE PERFORMANCE SPECIFICATION	WHEN TEST LIMITS ARE USED TO ESTABLISH INCOMING INSPECTION ACCEPTANCE/REJECTION CRITERIA, CORRELATION OF TEST EQUIPMENT WITH KNOWLES IS ALSO REQUIRED FOR ELIMINATION OF EQUIPMENT AND TEST METHOD VARIATION	DR. BY	DATE
		LW	3-24-15
		CK. BY	DATE
		GJP	3-26-15
		APP. BY	DATE
		GJP	3-26-15

FG45-32335-P03
SHT 2.1

PROPRIETARY NOTE: THIS DOCUMENT CONTAINS INFORMATION WHICH IS THE PROPRIETARY PROPERTY OF KNOWLES ELECTRONICS, LLC. OR ITS AFFILIATED ENTITIES. IT IS ISSUED IN STRICT CONFIDENCE AND SHALL NOT BE REPRODUCED, COPIED, USED, OR DISCLOSED TO ANY THIRD PARTY PARTIALLY OR WHOLLY IN ANY MANNER WITHOUT PRIOR WRITTEN PERMISSION OF, AND MUST BE RETURNED UPON REQUEST BY, KNOWLES ELECTRONICS, LLC.

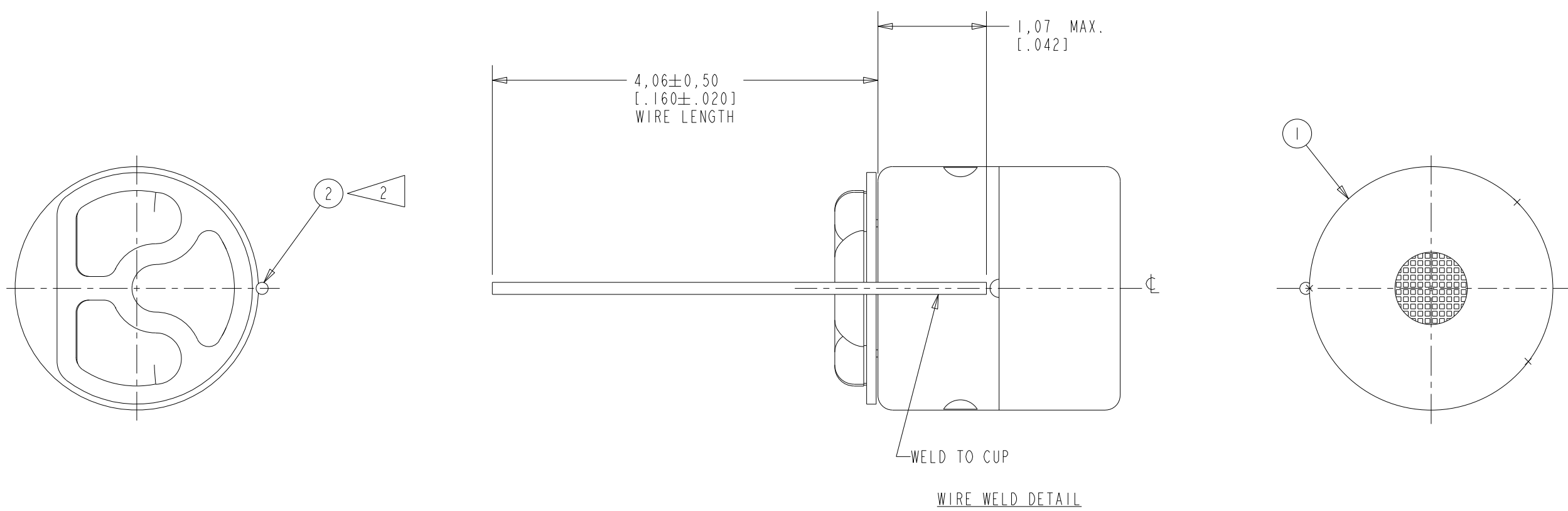
FG45-32335-P03

RED CONTROLLED

NOTES:

1. ITEM NUMBERS (SHOW THUS ) ON DRAWING CORRESPOND WITH ITEM NUMBERS OR BILL OF MATERIAL.

WELD WIRE TO CASE, SEE WELD DETAIL.



DIMENSIONS IN MILLIMETERS [INCHES]

MATERIAL SEE BILL OF MATERIAL		FINISH ---	SCALE: 20:1	DO NOT SCALE DRAWING
REF.	NONE	UNLESS OTHERWISE SPECIFIED, DIMENSIONS ARE IN INCHES	<p style="text-align: center;">KNOWLES CORPORATION</p> <p style="text-align: center;">TITLE MICROPHONE ASSEMBLY</p>	
A	c.o. C40101457			
B	c.o. M10106474			
MODIFY SHEET 2.1 NANC 12-28-15		THIRD ANGLE PROJECTION	<p>DR. BY DATE LW 3-24-15</p> <p>CH. BY DATE GJP 3-26-15</p> <p>APP. BY DATE GJP 3-26-15</p>	
			<p>RELEASE LEVEL: Active</p> <p>REVISION: B</p>	
			<p>FG45-32335-P03</p> <p>SHEET 3.1</p>	

FG45-32335-P03		KNOWLES CORPORATION		FG45-32335-P03	
Sheet 4.1				Sheet 4.1	
Dr.	By LW	Date 3-24-15	Subject: MICROPHONE ASSEMBLY	Revision B	
Ch.	GJP	3-26-15			Release Level
App.	GJP	3-26-15			Active
COL. 1		2	3	4	
Part or Dwg. no.		Tot. Req.	Nomenclature:	Applicable Specs or Remarks	Item No. / Line No.
FG45-32335-000		1	MICROPHONE ASSEMBLY		1 / 1
103-071		A/R	WIRE		2 / 2

RED CONTROLLED

REVISION	A	c.o. C40101457
	B	c.o. M10106474
	MODIFY SHT 2.1 MANC 12-28-15	

FG45-32335-P03
Sheet 4.1

PROPRIETARY NOTE: THIS DOCUMENT CONTAINS INFORMATION WHICH IS THE PROPRIETARY PROPERTY OF KNOWLES ELECTRONICS, LLC. OR ITS AFFILIATED ENTITIES. IT IS ISSUED IN STRICT CONFIDENCE AND SHALL NOT BE REPRODUCED, COPIED, USED, OR DISCLOSED TO ANY THIRD PARTY PARTIALLY OR WHOLLY IN ANY MANNER WITHOUT PRIOR WRITTEN PERMISSION OF, AND MUST BE RETURNED UPON REQUEST BY, KNOWLES ELECTRONICS, LLC.

REV: D

PRODUCTION TEST INFORMATION

SOFTWARE REVISION PXI FCAMT	PXI-DSA 1.1 MIN.
HARDWARE REVISION PXI FCAMT	KE 1069B.13 MIN.

PERFORMANCE					
PARAMETERS	UNIT	MINIMUM	TYPICAL	MAXIMUM	REMARKS
POWER SUPPLY REJECTION RATIO(PSRR)	dB	-	-7.5	-2.0	SUPPLY VOLTAGE @ 1.3 VDC
RFI	0.9 GHz	-	-	-	60V/m, 1kHz AM 80% (Refer to QAP #8480)
	1.9 GHz	-	-	-	
	2.4 GHz	-	-	-	

RED CONTROLLED

Revision	C.O. #	Implementation Date	RELEASE LEVEL	REVISION
B	M10106474	12-28-15	Active	B
A	C40101457	3-24-15		

KNOWLES CORPORATION

WHEN TEST LIMITS ARE USED TO ESTABLISH INCOMING INSPECTION ACCEPTANCE/REJECTION CRITERIA, CORRELATION OF TEST EQUIPMENT WITH KNOWLES IS ALSO REQUIRED FOR ELIMINATION OF EQUIPMENT AND TEST METHOD VARIATION

TITLE: MICROPHONE
PERFORMANCE SPECIFICATION

FG45-32335-P03
SHT 5.1

DR. BY	DATE
LW	3-24-15
CK. BY	DATE
GJP	3-26-15
APP. BY	DATE
GJP	3-26-15



Компания «ЭлектроПласт» предлагает заключение долгосрочных отношений при поставках импортных электронных компонентов на взаимовыгодных условиях!

Наши преимущества:

- Оперативные поставки широкого спектра электронных компонентов отечественного и импортного производства напрямую от производителей и с крупнейших мировых складов;
- Поставка более 17-ти миллионов наименований электронных компонентов;
- Поставка сложных, дефицитных, либо снятых с производства позиций;
- Оперативные сроки поставки под заказ (от 5 рабочих дней);
- Экспресс доставка в любую точку России;
- Техническая поддержка проекта, помощь в подборе аналогов, поставка прототипов;
- Система менеджмента качества сертифицирована по Международному стандарту ISO 9001;
- Лицензия ФСБ на осуществление работ с использованием сведений, составляющих государственную тайну;
- Поставка специализированных компонентов (Xilinx, Altera, Analog Devices, Intersil, Interpoint, Microsemi, Aeroflex, Peregrine, Syfer, Eurofarad, Texas Instrument, Miteq, Cobham, E2V, MA-COM, Hittite, Mini-Circuits, General Dynamics и др.);

Помимо этого, одним из направлений компании «ЭлектроПласт» является направление «Источники питания». Мы предлагаем Вам помощь Конструкторского отдела:

- Подбор оптимального решения, техническое обоснование при выборе компонента;
- Подбор аналогов;
- Консультации по применению компонента;
- Поставка образцов и прототипов;
- Техническая поддержка проекта;
- Защита от снятия компонента с производства.



Как с нами связаться

Телефон: 8 (812) 309 58 32 (многоканальный)

Факс: 8 (812) 320-02-42

Электронная почта: org@eplast1.ru

Адрес: 198099, г. Санкт-Петербург, ул. Калинина, дом 2, корпус 4, литера А.