



# Series T

## Differential Pressure Transmitters



The Modus Series T family of differential pressure transmitters measure low pressures and feature low power consumption and a variety of analog signal outputs. A wide selection of standard pressure ranges and electrical ratings is available.

These transmitters feature: no moving parts to wear out, reliable long term stability, and are virtually position insensitive.

The Series T Transmitters are an excellent choice for many HVAC, process and automation monitoring requirements. These transmitters monitor: filter differential pressures, fan static pressures, clean room pressures, variable air volume systems and velocity pressures. They have been used for bubbler level systems, leak detection and in medical and analytical instruments.

The transmitters are housed in a flame retardant, glass-reinforced polyphenylene oxide (NORYL™) case. Electrical connections are made by means of a 3/8 in terminal strip with #6 screws.

The Series T includes three models: Model T10, Model T20, and Model T30. These three models incorporate a variety of power and signal options.

The span or zero adjustment is performed with a 20-turn potentiometer for fine resolution.

T10	Three-wire
	DC Voltage In
	DC Voltage Out
T20	Four-wire
	24, 120, or 240 VAC In
	DC Voltage Out
T30	Two-wire
	DC Voltage In
	4 to 20 mA Out

The piezoresistive sensor is a solid state device designed in a Wheatstone bridge configuration. When pressure is applied to the device, the resistance of the bridge changes by a small amount. This resistance change is converted to a voltage and amplified.

# Amphenol

## Advanced Sensors

# Series T Specifications

## General

- Measures differential, gage pressure, or vacuum
- Suitable for air or inert gases
- Maximum safe momentary overpressure: see reference table A

## Performance

### Accuracy

± 1% of span (including non-linearity and hysteresis)

### Calibration

(Traceable to NIST)

## Environmental

### Operating Temperature Range

32°F to 115°F (0°C to 45°C)

### Storage Temperature

-20°F to 160°F (-30°C to 70°C)

### Effect of Temperature

- on zero: ±0.05%/°C
- on span: ±0.02%/°C

### Operating Humidity Range

10% to 90% RH  
non-condensing

### Shock Resistance

10 G (11 ms)

### Vibration Resistance

5 G to 50 Hz

## Electrical Connections

### Connections

External 3/8 in terminal strip with #6 screws

## Physical

### Pressure Port Connections

3/16 in diameter suitable for:

- 1/8 in ID Tygon™ or polyurethane tubing  
0.11 in to 0.15 in (3 mm to 4 mm)
- 1/4 in OD polyethylene tubing (6 mm)

Integral filters at both ports

### Dimensions (W x L x H)

3.00 in x 5.15 in x 1.40 in  
(76 mm x 131 mm x 36 mm)

### Material

Flame retardant, glass-reinforced polyphenylene oxide (NORYL) case

### Weight

0.42 lbs (190 g) maximum

# Model T10 Specifications

## DC Power Input/Voltage Output

Diagram shows area of detail.  
Please see inset diagrams for wiring.

## Electrical

### Supply Voltage

11 to 32 VDC (14.5 to 32 VDC for 10 Volts output)  
Protected against reversal of polarity

### Supply Current

10 mA

### Output

- 0 to 5 Volts, linear
- 0 to 10 Volts, linear
- Sink or source 3.5 mA
- Protected against short circuit

## Ordering Information

### Order Number

(See Table below and Reference Table A)

**T10** - PPP - V - O

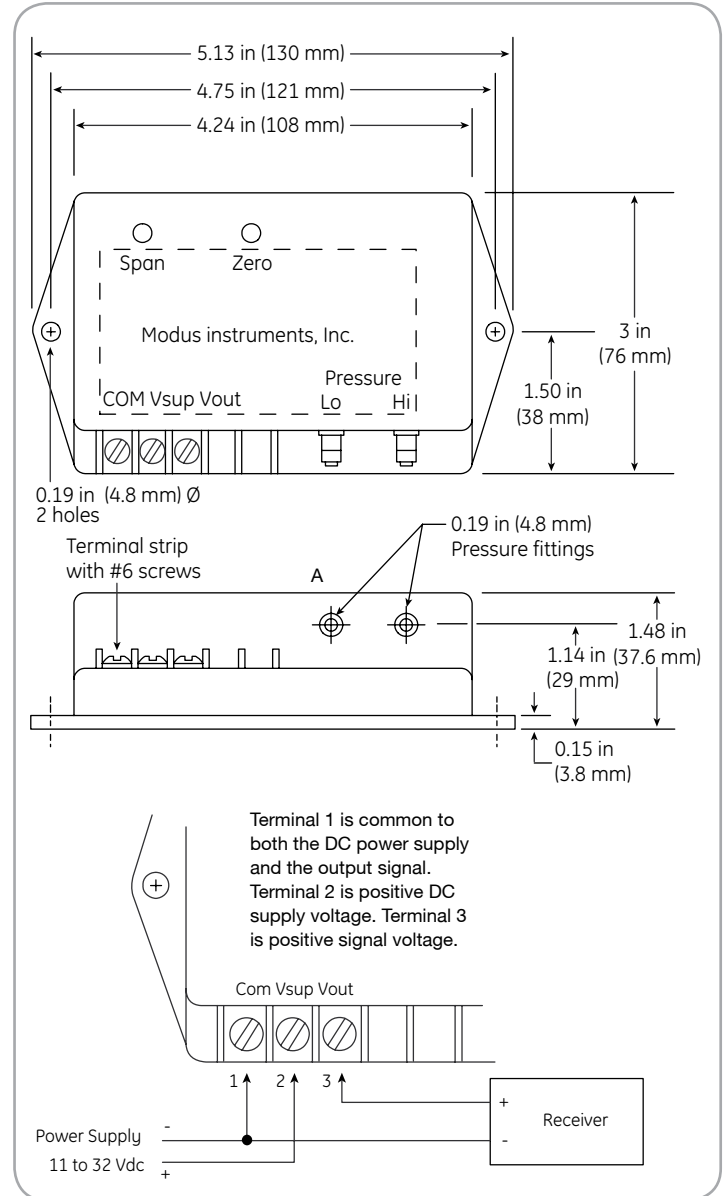
Example: T10 - 04E - 5 - A

PPP=Pressure Range	V=Voltage Output	O=Offset (See Note)
See Reference Table A	5=0 to 5 Volts X=0 to 10 Volts	0=No offset A=1/4 offset B=1/2 offset

*If the measured differential pressure is expected to go from positive to negative, a transmitter with offset (elevated zero) should be ordered.*

Three options are available:

- “0”** No offset. At zero differential pressure, the output signal is:  
0 V (0 to 5 V range)  
0 V (0 to 10 V range)  
Pressure excursion: 0% to 100% of Range, see Table A.
- “A”** 1/4 span offset. At zero differential pressure, the output signal is:  
1.25 V (0 to 5 V range)  
2.5 V (0 to 10 V range)  
Pressure excursion: -33% to 100% of Range, see Table A.
- “B”** 1/2 span offset. At zero differential pressure, the output signal is:  
2.5 V (0 to 5 V range)  
5 V (0 to 10 V range)  
Pressure excursion: -100% to 100% of Range, see Table A.



*To order: Determine the positive pressure range; from Table A find the corresponding pressure code. Then add the required offset (none, A, or B).*

*For example, T30 05E A is a transmitter with a maximum range of 1 in (25.40 mm) of H<sub>2</sub>O at 20 mA and a minimum range of -0.33 in of H<sub>2</sub>O at 4 mA.*

# Model T20 Specifications

## AC Power Input/Voltage Output

### Electrical

Transformer isolation between power supply and output is 2500 Vrms

### Output Voltage

- 0 to 5 Volts
- 0 to 10 Volts
- Sink or source 3.5 mA
- Protected against short circuit

## Ordering Information

### Order Number

(See Table below and Reference Table A)

**T20** - PPP - S - V - O

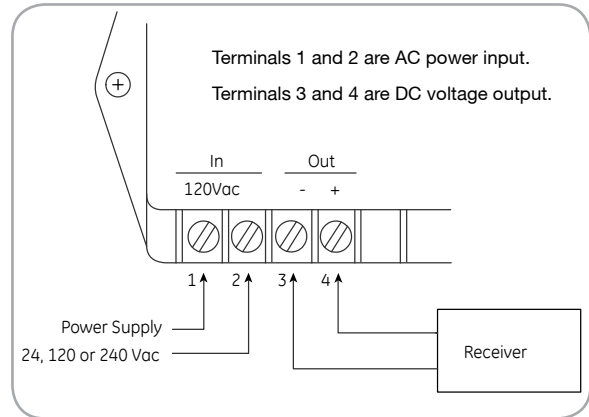
Example: T20 - 07P - C - X - B

PPP=Pressure Range	S=Supply Voltage	V=Voltage Output	O=Offset (See Note)
See Table Reference A	C=24 VAC	5=0 to 5 Volts	0=No offset
	D=120 VAC	X=0 to 10 Volt	A=1/4 offset
	E=40 VAC		B=1/2 offset

If the measured differential pressure is expected to go from positive to negative, a transmitter with offset (elevated zero) should be ordered.

Three options are available:

- “0”** No offset. At zero differential pressure, the output signal is:  
 0 V (0 to 5 V range)  
 0 V (0 to 10 V range)  
 Pressure excursion: 0% to 100% of Range, see Table A.
- “A”** 1/4 span offset. At zero differential pressure the output signal is:  
 1.25 V (0 to 5 V range)  
 2.5 V (0 to 10 V range)  
 Pressure excursion: -33% to 100% of Range, see Table A.
- “B”** 1/2 span offset. At zero differential pressure, the output signal is:  
 2.5 V (0 to 5 V range)  
 5 V (0 to 10 V range)  
 Pressure excursion: -100% to 100% of Range see Table A.



To order: Determine the positive pressure range; from Table A, find the corresponding pressure code. Then add the required offset (none, A, or B).

For example, T30 05E A is a transmitter with a maximum range of 1 in (25.40 mm) of H<sub>2</sub>O at 20 mA and a minimum range of -0.33 in of H<sub>2</sub>O at 4 mA.

# Model T30 Specifications

## Two Wire / 4 to 20 mA Output

### Electrical

- Supply Voltage: 11 to 32 VDC  
(See diagram right for maximum loop resistance)
- Protected against reversal of polarity
- Output limited to approx. 3.85 mA at low end of span and approx. 25 mA at upper end of span

### Ordering Information

**Order Number** (See Table below and Reference Table A)

**T30 - PPP - O**

Example: T30 - 06E - B

PPP= Pressure Range

O=Offset

(See Note)

See Reference Table A

0=No offset

A=1/4 offset

B=1/2 offset

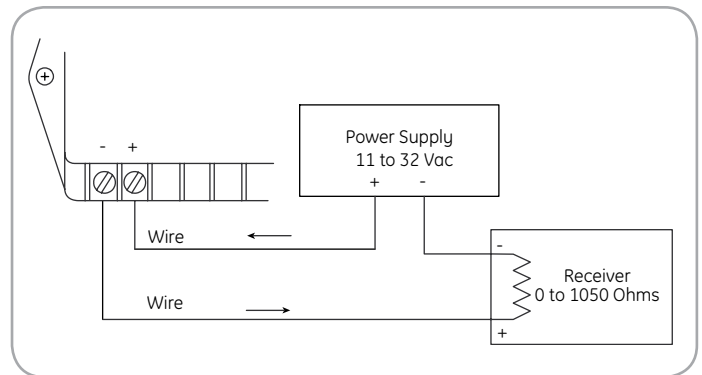
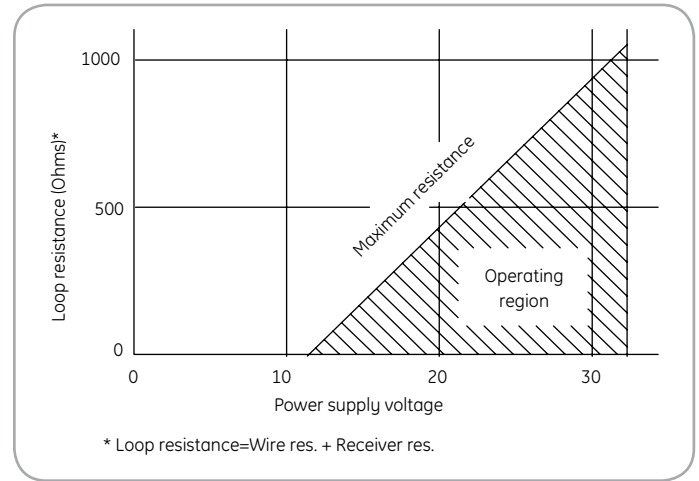
*If the measured differential pressure is expected to go from positive to negative, a transmitter with offset (elevated zero) should be ordered.*

Three options are available:

- “0”** No offset. At zero differential pressure, the output signal is:  
4 mA (4 to 20 mA range)  
Pressure excursion: 0% to 100% of Range, see Table A.
- “A”** 1/4 span offset. At zero differential pressure, the output signal is:  
8 mA (4 to 20 mA range)  
Pressure excursion: -33% to 100% of Range, see Table A.
- “B”** 1/2 span offset. At zero differential pressure, the output signal is:  
12 mA (4 to 20 mA range)  
Pressure excursion: -100% to 100% of Range see Table A.

*To order: Determine the positive pressure range; from Table A, find the corresponding pressure code. Then add the required offset (none, A, or B).*

*For example, T30 05E A is a transmitter with a maximum range of 1 in (25.40 mm) of H<sub>2</sub>O at 20 mA and a minimum range of -0.33 in of H<sub>2</sub>O at 4 mA.*



## Table A - Standard Pressure Ranges

English			Metric Units					
Pressure Code	Pressure Range English	Maximum Safe Momentary Overpressure	Pressure Code	Pressure Range Pascals	Maximum Safe Momentary Overpressure	Pressure Range Code	Pressure Safe Momentary Pascals	Maximum Overpressure
03E*	0 to 0.300 in H <sub>2</sub> O		03P	0 to 75.0 Pa		03M	0 to 7.50 mm H <sub>2</sub> O	
04E	0 to 0.500 in H <sub>2</sub> O		04P	0 to 100.0 Pa		04M	0 to 10.00 mm H <sub>2</sub> O	
05E	0 to 1.00 in H <sub>2</sub> O		05P	0 to 250 Pa		05M	0 to 25.0 mm H <sub>2</sub> O	
06E	0 to 2.00 in H <sub>2</sub> O	20 in H <sub>2</sub> O	06P	0 to 500 Pa	5 kPa	06M	0 to 50.0 mm H <sub>2</sub> O	500 mm
07E	0 to 3.00 in H <sub>2</sub> O		07P	0 to 750 Pa		07M	0 to 75.0 mm H <sub>2</sub> O	
08E	0 to 5.00 in H <sub>2</sub> O		08P	0 to 1.00 kPa		08M	0 to 100 mm H <sub>2</sub> O	
09E	0 to 10.0 in H <sub>2</sub> O	5 psid	09P	0 to 2.50 kPa	35 kPa	09M	0 to 250 mm H <sub>2</sub> O	3.5 m

\*T30 Only

# Mouser Electronics

Authorized Distributor

Click to View Pricing, Inventory, Delivery & Lifecycle Information:

[Amphenol:](#)

[T10-06E-5-0](#)



Компания «ЭлектроПласт» предлагает заключение долгосрочных отношений при поставках импортных электронных компонентов на взаимовыгодных условиях!

Наши преимущества:

- Оперативные поставки широкого спектра электронных компонентов отечественного и импортного производства напрямую от производителей и с крупнейших мировых складов;
- Поставка более 17-ти миллионов наименований электронных компонентов;
- Поставка сложных, дефицитных, либо снятых с производства позиций;
- Оперативные сроки поставки под заказ (от 5 рабочих дней);
- Экспресс доставка в любую точку России;
- Техническая поддержка проекта, помощь в подборе аналогов, поставка прототипов;
- Система менеджмента качества сертифицирована по Международному стандарту ISO 9001;
- Лицензия ФСБ на осуществление работ с использованием сведений, составляющих государственную тайну;
- Поставка специализированных компонентов (Xilinx, Altera, Analog Devices, Intersil, Interpoint, Microsemi, Aeroflex, Peregrine, Syfer, Eurofarad, Texas Instrument, Miteq, Cobham, E2V, MA-COM, Hittite, Mini-Circuits, General Dynamics и др.);

Помимо этого, одним из направлений компании «ЭлектроПласт» является направление «Источники питания». Мы предлагаем Вам помощь Конструкторского отдела:

- Подбор оптимального решения, техническое обоснование при выборе компонента;
- Подбор аналогов;
- Консультации по применению компонента;
- Поставка образцов и прототипов;
- Техническая поддержка проекта;
- Защита от снятия компонента с производства.



#### Как с нами связаться

**Телефон:** 8 (812) 309 58 32 (многоканальный)

**Факс:** 8 (812) 320-02-42

**Электронная почта:** [org@eplast1.ru](mailto:org@eplast1.ru)

**Адрес:** 198099, г. Санкт-Петербург, ул. Калинина, дом 2, корпус 4, литера А.