



Features

- RoHS compliant* and halogen free**
- Surface Mount SMC package
- Breakdown Voltage: 6.8 to 550 volts
- Peak Pulse Power: 1500 watts
- Typical temperature coefficient:
 $\Delta V_{BR} = 0.1 \% \times V_{BR} @ 25\text{ }^{\circ}\text{C} \times \Delta T$

Applications

- IEC 61000-4-2 ESD (Min. Level 4)
- IEC 61000-4-4 EFT
- IEC 61000-4-5 Surge

1.5SMC Transient Voltage Suppressor Diode Series

General Information

The markets of portable communications, computing and video equipment are challenging the semiconductor industry to develop increasingly smaller electronic components.

Bourns offers Transient Voltage Suppressor Diodes for surge and ESD protection applications, in compact chip package DO-214AB (SMC) size format. The Transient Voltage Suppressor series offers a choice of Breakdown Voltages from 6.8 V up to 550 V. Typical fast response times are less than 1.0 picosecond for unidirectional devices and less than 5.0 picoseconds for bidirectional devices from 0 V to Minimum Breakdown Voltage.

Bourns® Chip Diodes conform to JEDEC standards, are easy to handle with standard pick and place equipment and their flat configuration minimizes roll away.

Electrical Characteristics (@ T_A = 25 °C Unless Otherwise Noted)

| Parameter | Symbol | Value | Unit |
|--|------------------|-------------|-------|
| Minimum Peak Pulse Power Dissipation (T _P = 1 ms) (Note 1,2) | P _{PK} | 1500 | Watts |
| Peak Forward Surge Current 8.3 ms Single Half Sine Wave Superimposed on Rated Load (JEDEC Method) (Note 3) | I _{FSM} | 200 | Amps |
| Maximum Instantaneous Forward Voltage @ I _{PP} = 100 A (For Unidirectional Units Only) | V _F | 3.5 5.0 | Volts |
| Operating Temperature Range | T _J | -55 to +150 | °C |
| Storage Temperature Range | T _{STG} | -55 to +150 | °C |

1. Non-repetitive current pulse, per Pulse Waveform graph and derated above T_A = 25 °C per Pulse Derating Curve.
2. Thermal Resistance Junction to Lead.
3. 8.3 ms Single Half-Sine Wave duty cycle = 4 pulses maximum per minute (unidirectional units only).

BOURNS®

Asia-Pacific:

Tel: +886-2 2562-4117

Email: asiacus@bourns.com

Europe:

Tel: +36 88 520 390

Email: eurocus@bourns.com

The Americas:

Tel: +1-951 781-5500

Email: americus@bourns.com

www.bourns.com

How to Order

1.5SMC 6.8 CA - H

Series _____
 1.5SMC = SMC/DO-214AB

Breakdown Voltage _____
 6.8 to 550 = 6.8 to 550 V_{BD}

Suffix _____
 A = 5 % Tolerance Unidirectional Device
 CA = 5 % Tolerance Bidirectional Device

Reel _____
 (blank) = 13 inch reel
 -H = 7 inch reel

* RoHS Directive 2002/95/EC Jan. 27, 2003 including annex and RoHS Recast 2011/65/EU June 8, 2011.

**Bourns considers a product to be "halogen free" if (a) the Bromine (Br) content is 900 ppm or less; (b) the Chlorine (Cl) content is 900 ppm or less; and (c) the total Bromine (Br) and Chlorine (Cl) content is 1500 ppm or less.

Specifications are subject to change without notice.

The device characteristics and parameters in this data sheet can and do vary in different applications and actual device performance may vary over time. Users should verify actual device performance in their specific applications.

1.5SMC Transient Voltage Suppressor Diode Series

BOURNS®

Electrical Characteristics (@ $T_A = 25^\circ\text{C}$ Unless Otherwise Noted)

| Unidirectional Device | | Bidirectional Device | | Breakdown Voltage V_{BR} (Volts) | | | Working Peak Reverse Voltage | Maximum Reverse Leakage @ V_{RWM} | Maximum Reverse Voltage @ I_{RSM} | Maximum Reverse Surge Current |
|-----------------------|---------|----------------------|---------|------------------------------------|-------|--------------|------------------------------|-------------------------------------|-------------------------------------|-------------------------------|
| Part No. | Marking | Part No. | Marking | Min. | Max. | @ I_T (mA) | V_{RWM} (V) | I_R (μA) | V_{RSM} (V) | I_{RSM} (A) |
| 1.5SMC6.8A | 6V8A | 1.5SMC6.8CA | 6V8C | 6.45 | 7.14 | 10 | 5.8 | 1000 | 10.5 | 144.8 |
| 1.5SMC7.5A | 7V5A | 1.5SMC7.5CA | 7V5C | 7.13 | 7.88 | 10 | 6.4 | 500 | 11.3 | 134.5 |
| 1.5SMC8.2A | 8V2A | 1.5SMC8.2CA | 8V2C | 7.79 | 8.61 | 10 | 7.02 | 200 | 12.1 | 125.6 |
| 1.5SMC9.1A | 9V1A | 1.5SMC9.1CA | 9V1C | 8.65 | 9.5 | 1 | 7.78 | 50 | 13.4 | 113.4 |
| 1.5SMC10A | 10A | 1.5SMC10CA | 10C | 9.5 | 10.5 | 1 | 8.55 | 10 | 14.5 | 104.8 |
| 1.5SMC11A | 11A | 1.5SMC11CA | 11C | 10.5 | 11.6 | 1 | 9.4 | 5 | 15.6 | 97.4 |
| 1.5SMC12A | 12A | 1.5SMC12CA | 12C | 11.4 | 12.6 | 1 | 10.2 | 5 | 16.7 | 91 |
| 1.5SMC13A | 13A | 1.5SMC13CA | 13C | 12.4 | 13.7 | 1 | 11.1 | 1 | 18.2 | 83.5 |
| 1.5SMC15A | 15A | 1.5SMC15CA | 15C | 14.3 | 15.8 | 1 | 12.8 | 1 | 21.2 | 71.7 |
| 1.5SMC16A | 16A | 1.5SMC16CA | 16C | 15.2 | 16.8 | 1 | 13.6 | 1 | 22.5 | 67.6 |
| 1.5SMC18A | 18A | 1.5SMC18CA | 18C | 17.1 | 18.9 | 1 | 15.3 | 1 | 25.2 | 60.3 |
| 1.5SMC20A | 20A | 1.5SMC20CA | 20C | 19 | 21 | 1 | 17.1 | 1 | 27.7 | 54.9 |
| 1.5SMC22A | 22A | 1.5SMC22CA | 22C | 20.9 | 23.1 | 1 | 18.8 | 1 | 30.6 | 49.7 |
| 1.5SMC24A | 24A | 1.5SMC24CA | 24C | 22.8 | 25.2 | 1 | 20.5 | 1 | 33.2 | 45.8 |
| 1.5SMC27A | 27A | 1.5SMC27CA | 27C | 25.7 | 28.4 | 1 | 23.1 | 1 | 37.5 | 40.5 |
| 1.5SMC30A | 30A | 1.5SMC30CA | 30C | 28.5 | 31.5 | 1 | 25.6 | 1 | 41.4 | 36.7 |
| 1.5SMC33A | 33A | 1.5SMC33CA | 33C | 31.4 | 34.7 | 1 | 28.2 | 1 | 45.7 | 33.3 |
| 1.5SMC36A | 36A | 1.5SMC36CA | 36C | 34.2 | 37.8 | 1 | 30.8 | 1 | 49.9 | 30.5 |
| 1.5SMC39A | 39A | 1.5SMC39CA | 39C | 37.1 | 41 | 1 | 33.3 | 1 | 53.9 | 28.2 |
| 1.5SMC43A | 43A | 1.5SMC43CA | 43C | 40.9 | 45.2 | 1 | 36.8 | 1 | 59.3 | 25.6 |
| 1.5SMC47A | 47A | 1.5SMC47CA | 47C | 44.7 | 49.4 | 1 | 40.2 | 1 | 64.8 | 23.5 |
| 1.5SMC51A | 51A | 1.5SMC51CA | 51C | 48.5 | 53.6 | 1 | 43.6 | 1 | 70.1 | 21.7 |
| 1.5SMC56A | 56A | 1.5SMC56CA | 56C | 53.2 | 58.8 | 1 | 47.8 | 1 | 77 | 19.7 |
| 1.5SMC62A | 62A | 1.5SMC62CA | 62C | 58.9 | 65.1 | 1 | 53 | 1 | 85 | 17.9 |
| 1.5SMC68A | 68A | 1.5SMC68CA | 68C | 64.6 | 71.4 | 1 | 58.1 | 1 | 92 | 16.5 |
| 1.5SMC75A | 75A | 1.5SMC75CA | 75C | 71.3 | 78.8 | 1 | 64.1 | 1 | 103 | 14.8 |
| 1.5SMC82A | 82A | 1.5SMC82CA | 82C | 77.9 | 86.1 | 1 | 70.1 | 1 | 113 | 13.5 |
| 1.5SMC91A | 91A | 1.5SMC91CA | 91C | 86.5 | 95.5 | 1 | 77.8 | 1 | 125 | 12.2 |
| 1.5SMC100A | 100A | 1.5SMC100CA | 100C | 95 | 105 | 1 | 85.5 | 1 | 137 | 11.1 |
| 1.5SMC110A | 110A | 1.5SMC110CA | 110C | 105 | 116 | 1 | 94 | 1 | 152 | 10 |
| 1.5SMC120A | 120A | 1.5SMC120CA | 120C | 114 | 126 | 1 | 102 | 1 | 165 | 9.2 |
| 1.5SMC130A | 130A | 1.5SMC130CA | 130C | 124 | 137 | 1 | 111 | 1 | 179 | 8.5 |
| 1.5SMC150A | 150A | 1.5SMC150CA | 150C | 143 | 158 | 1 | 128 | 1 | 207 | 7.3 |
| 1.5SMC160A | 160A | 1.5SMC160CA | 160C | 152 | 168 | 1 | 136 | 1 | 219 | 6.9 |
| 1.5SMC170A | 170A | 1.5SMC170CA | 170C | 162 | 179 | 1 | 145 | 1 | 234 | 6.5 |
| 1.5SMC180A | 180A | 1.5SMC180CA | 180C | 171 | 189 | 1 | 154 | 1 | 246 | 6.2 |
| 1.5SMC200A | 200A | 1.5SMC200CA | 200C | 190 | 210 | 1 | 171 | 1 | 274 | 5.5 |
| 1.5SMC220A | 220A | 1.5SMC220CA | 220C | 209 | 231 | 1 | 185 | 1 | 328 | 4.6 |
| 1.5SMC250A | 250A | 1.5SMC250CA | 250C | 237 | 263 | 1 | 214 | 1 | 344 | 4.4 |
| 1.5SMC300A | 300A | 1.5SMC300CA | 300C | 285 | 315 | 1 | 256 | 1 | 414 | 3.7 |
| 1.5SMC350A | 350A | 1.5SMC350CA | 350C | 332 | 368 | 1 | 300 | 1 | 482 | 3.2 |
| 1.5SMC400A | 400A | 1.5SMC400CA | 400C | 380 | 420 | 1 | 342 | 1 | 548 | 2.8 |
| 1.5SMC440A | 440A | 1.5SMC440CA | 440C | 418 | 462 | 1 | 376 | 1 | 602 | 2.5 |
| 1.5SMC480A | 480A | 1.5SMC480CA | 480C | 456 | 504 | 1 | 408 | 1 | 658 | 2.3 |
| 1.5SMC510A | 510A | 1.5SMC510CA | 510C | 485 | 535 | 1 | 434 | 1 | 698 | 2.1 |
| 1.5SMC530A | 530A | 1.5SMC530CA | 530C | 503.5 | 556.5 | 1 | 477 | 1 | 725 | 2.1 |
| 1.5SMC540A | 540A | 1.5SMC540CA | 540C | 513 | 567 | 1 | 486 | 1 | 740 | 2 |
| 1.5SMC550A | 550A | 1.5SMC550CA | 550C | 522.5 | 577.5 | 1 | 495 | 1 | 760 | 2 |

Notes:

- Suffix 'A' denotes a 5 % tolerance unidirectional device.
- Suffix 'CA' denotes a 5 % tolerance bidirectional device.
- For bidirectional devices with a V_R of 10 volts or less, the I_R limit is double.

Specifications are subject to change without notice.

The device characteristics and parameters in this data sheet can and do vary in different applications and actual device performance may vary over time. Users should verify actual device performance in their specific applications.

1.5SMC Transient Voltage Suppressor Diode Series

BOURNS®

Rating & Characteristic Curves

Pulse Derating Curve



Maximum Non-Repetitive Surge Current



Pulse Waveform



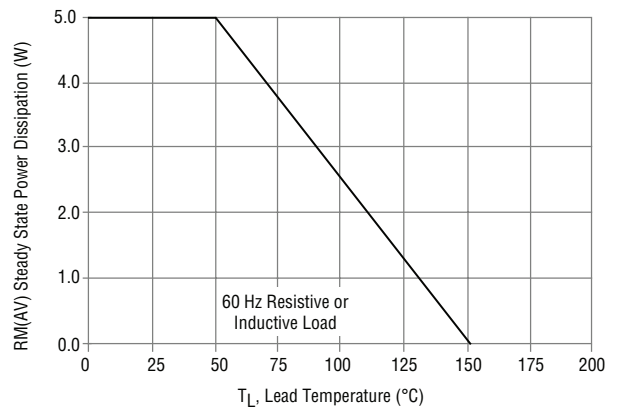
Typical Junction Capacitance



Pulse Rating Curve



Steady State Power Derating Curve



Specifications are subject to change without notice.

The device characteristics and parameters in this data sheet can and do vary in different applications and actual device performance may vary over time.

Users should verify actual device performance in their specific applications.

1.5SMC Transient Voltage Suppressor Diode Series

BOURNS®

Product Dimensions



| Dimension | SMC (DO-214AB) |
|-----------|--|
| A | $\frac{6.60 - 7.11}{(0.260 - 0.280)}$ |
| B | $\frac{5.59 - 6.22}{(0.220 - 0.245)}$ |
| C | $\frac{2.90 - 3.20}{(0.115 - 0.125)}$ |
| D | $\frac{7.75 - 8.13}{(0.305 - 0.320)}$ |
| E | $\frac{0.05 - 0.202}{(0.002 - 0.008)}$ |
| F | $\frac{2.00 - 2.62}{(0.079 - 0.103)}$ |
| G | $\frac{0.76 - 1.52}{(0.030 - 0.060)}$ |

DIMENSIONS: $\frac{\text{MM}}{\text{(INCHES)}}$

Recommended Footprint



| Dimension | SMC (DO-214AB) |
|-----------|------------------------|
| a (Max.) | $\frac{4.69}{(0.185)}$ |
| b (Min.) | $\frac{3.07}{(0.121)}$ |
| c (Min.) | $\frac{1.52}{(0.060)}$ |

DIMENSIONS: $\frac{\text{MM}}{\text{(INCHES)}}$

Physical Specifications

Case Molded plastic per UL Class 94V-0
 Polarity..... Cathode band indicates unidirectional device
 No cathode band indicates bidirectional device

Environmental Specifications

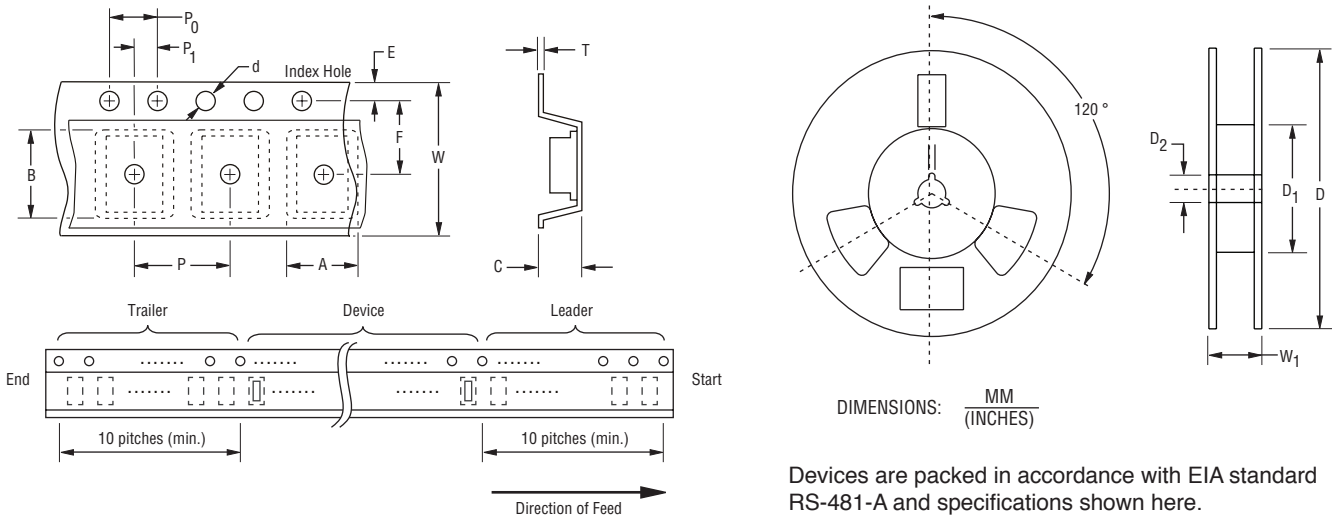
Moisture Sensitivity Level 1
 ESD Classification (HBM) 3B

1.5SMC Transient Voltage Suppressor Diode Series

BOURNS®

Packaging Information

The product will be dispensed in tape and reel format (see diagram below).



| Item | Symbol | SMC (DO-214AB) | |
|------------------------|----------------|--|------------------------|
| | | 7 Inch Reel | 13 Inch Reel |
| Carrier Width | A | $\frac{6.0 \pm 2.0}{(0.236 - 0.079)}$ | |
| Carrier Length | B | $\frac{8.3 \pm 0.20}{(0.327 \pm 0.008)}$ | |
| Carrier Depth | C | $\frac{2.5 \pm 0.20}{(0.098 \pm 0.008)}$ | |
| Sprocket Hole | d | $\frac{1.50 \pm 0.10}{(0.059 \pm 0.004)}$ | |
| Reel Outside Diameter | D | $\frac{178}{(7.008)}$ | $\frac{330}{(12.992)}$ |
| Reel Inner Diameter | D ₁ | $\frac{50.0}{(1.969)}$ MIN. | |
| Feed Hole Diameter | D ₂ | $\frac{13.0 +0.50/-0.20}{(0.512 +0.020/-0.008)}$ | |
| Sprocket Hole Position | E | $\frac{1.75 \pm 0.10}{(0.069 \pm 0.004)}$ | |
| Punch Hole Position | F | $\frac{7.50 \pm 0.10}{(0.295 \pm 0.004)}$ | |
| Punch Hole Pitch | P | $\frac{8.00 \pm 0.10}{(0.315 \pm 0.004)}$ | |
| Sprocket Hole Pitch | P ₀ | $\frac{4.00 \pm 0.10}{(0.157 \pm 0.004)}$ | |
| Embossment Center | P ₁ | $\frac{2.00 \pm 0.10}{(0.079 \pm 0.004)}$ | |
| Overall Tape Thickness | T | $\frac{0.30 \pm 0.10}{(0.012 \pm 0.004)}$ | |
| Tape Width | W | $\frac{16.00 \pm 0.30}{(0.630 \pm 0.012)}$ | |
| Reel Width | W ₁ | $\frac{22.4}{(0.882)}$ MAX. | |
| Quantity per Reel | -- | 500 | 3,000 |

REV. 07/17

Specifications are subject to change without notice.

The device characteristics and parameters in this data sheet can and do vary in different applications and actual device performance may vary over time. Users should verify actual device performance in their specific applications.



Компания «ЭлектроПласт» предлагает заключение долгосрочных отношений при поставках импортных электронных компонентов на взаимовыгодных условиях!

Наши преимущества:

- Оперативные поставки широкого спектра электронных компонентов отечественного и импортного производства напрямую от производителей и с крупнейших мировых складов;
- Поставка более 17-ти миллионов наименований электронных компонентов;
- Поставка сложных, дефицитных, либо снятых с производства позиций;
- Оперативные сроки поставки под заказ (от 5 рабочих дней);
- Экспресс доставка в любую точку России;
- Техническая поддержка проекта, помощь в подборе аналогов, поставка прототипов;
- Система менеджмента качества сертифицирована по Международному стандарту ISO 9001;
- Лицензия ФСБ на осуществление работ с использованием сведений, составляющих государственную тайну;
- Поставка специализированных компонентов (Xilinx, Altera, Analog Devices, Intersil, Interpoint, Microsemi, Aeroflex, Peregrine, Syfer, Eurofarad, Texas Instrument, Miteq, Cobham, E2V, MA-COM, Hittite, Mini-Circuits, General Dynamics и др.);

Помимо этого, одним из направлений компании «ЭлектроПласт» является направление «Источники питания». Мы предлагаем Вам помощь Конструкторского отдела:

- Подбор оптимального решения, техническое обоснование при выборе компонента;
- Подбор аналогов;
- Консультации по применению компонента;
- Поставка образцов и прототипов;
- Техническая поддержка проекта;
- Защита от снятия компонента с производства.



Как с нами связаться

Телефон: 8 (812) 309 58 32 (многоканальный)

Факс: 8 (812) 320-02-42

Электронная почта: org@eplast1.ru

Адрес: 198099, г. Санкт-Петербург, ул. Калинина, дом 2, корпус 4, литера А.