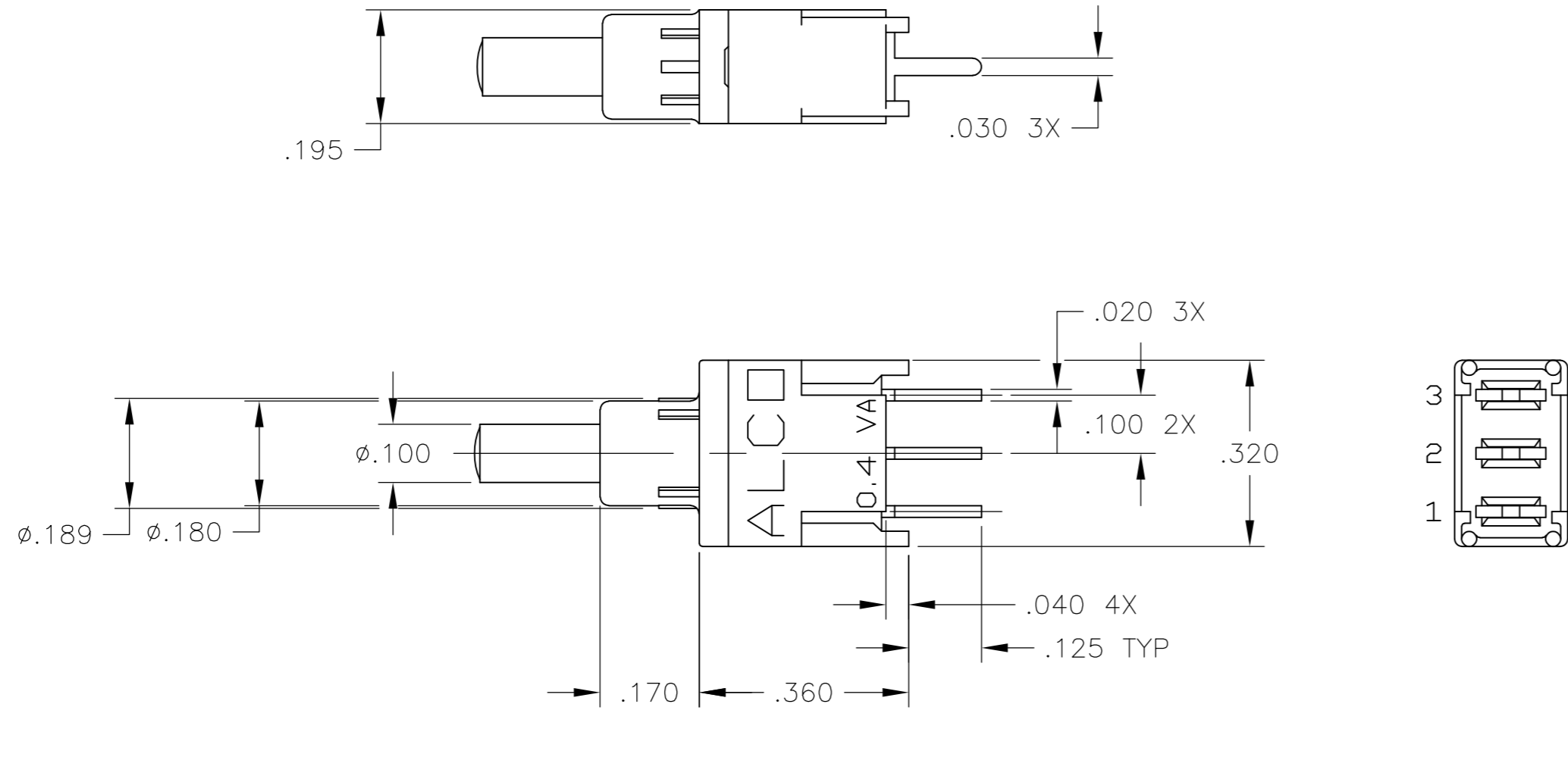
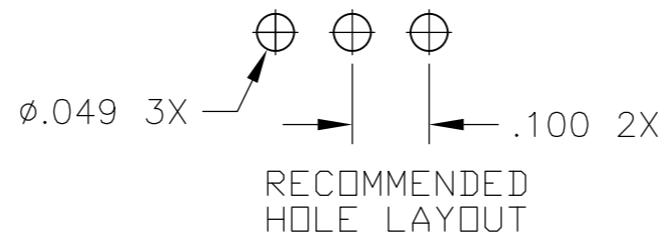


THIS DRAWING IS UNPUBLISHED. RELEASED FOR PUBLICATION
 © COPYRIGHT - By - ALL RIGHTS RESERVED.

LOC		DIST		REVISIONS			
P	LTR	DESCRIPTION	DATE	DWN	APVD		
AD	00	A1	REVISED PER ECO-11-005027	11MAR11	RK	HMR	



PC PC MOUNT



TOLERANCES FOR ALL PCB LAYOUT DIMENSIONS TO BE ±.002

SPECIFICATIONS:

MATERIALS:
 CASE & BUSHING: LCP
 BUTTON: POLYAMIDE
 SPRING: MUSIC WIRE, ZN PLATED
 MOVABLE CONTACT: BRASS OR COPPER ALLOY, AU OVER NI PLATED.
 BRACKET: STEEL, TIN OVER COPPER PLATED
 TERMINALS: BRASS, TIN OVER NICKEL IN SOLDER AREA AND GOLD OVER NI IN CONTACT AREA.
 O-RING: NITRILE

ELECTRICAL:
 CONTACT RATING: 0.4VA @ 20 VAC/DC
 INITIAL CONTACT RESISTANCE: 20 MILLIOHMS MAX.
 INSULATION RESISTANCE: 1000 MEGOHMS @ 500V DC MIN.
 DIELECTRIC STRENGTH: **C** 1000 VOLTS RMS AT SEA LEVEL.
F 500 VOLTS RMS AT SEA LEVEL.
 LIFE EXPECTANCY: **C** 80,000 CYCLES
F 60,000 CYCLES.

MECHANICAL:
 ACTUATION TRAVEL: .035

ENVIRONMENTAL:
 OPERATING TEMPERATURE: -22°F TO +185°F
 (-30°C TO +85°C)
 STORAGE TEMPERATURE: -67°F TO +185°F
 (-55°C TO +85°C)

NOTES:

- ALL MATERIALS AND FINISHES COMPLY WITH EU DIRECTIVE 2002/95/EC OF 27JAN2003 (ROHS)
- F FUNCTION NOT AVAILABLE WITH SRA TERMINATION.

PART NUMBERING SEQUENCE

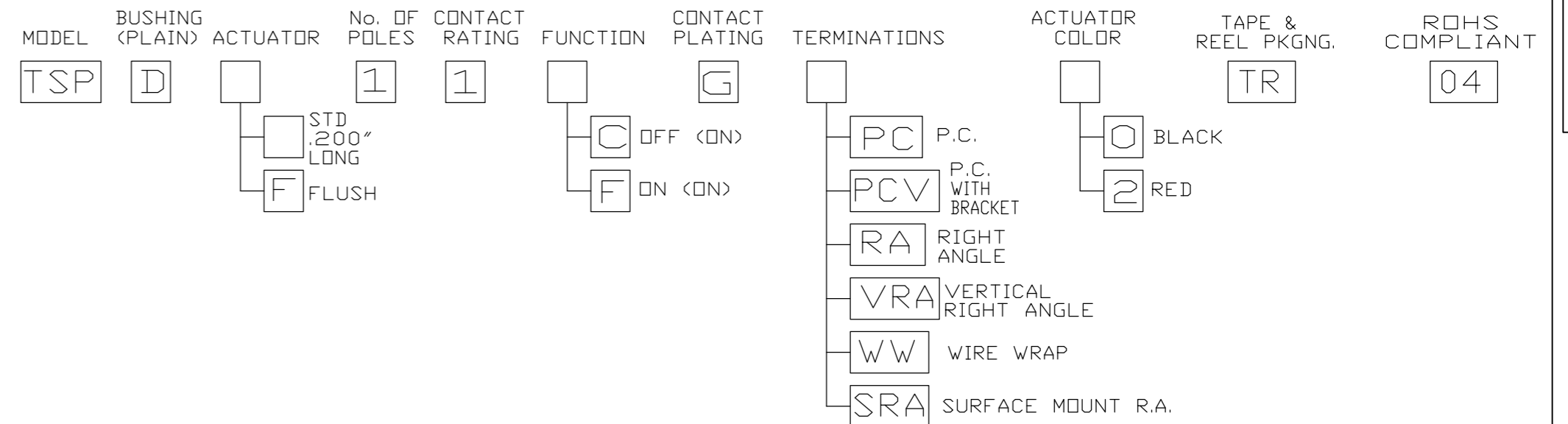
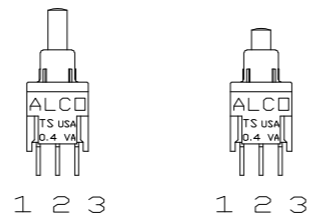


FIGURE I

FUNCTION CHART

THE FOLLOWING FUNCTIONS AVAILABLE IN SINGLE POLE.

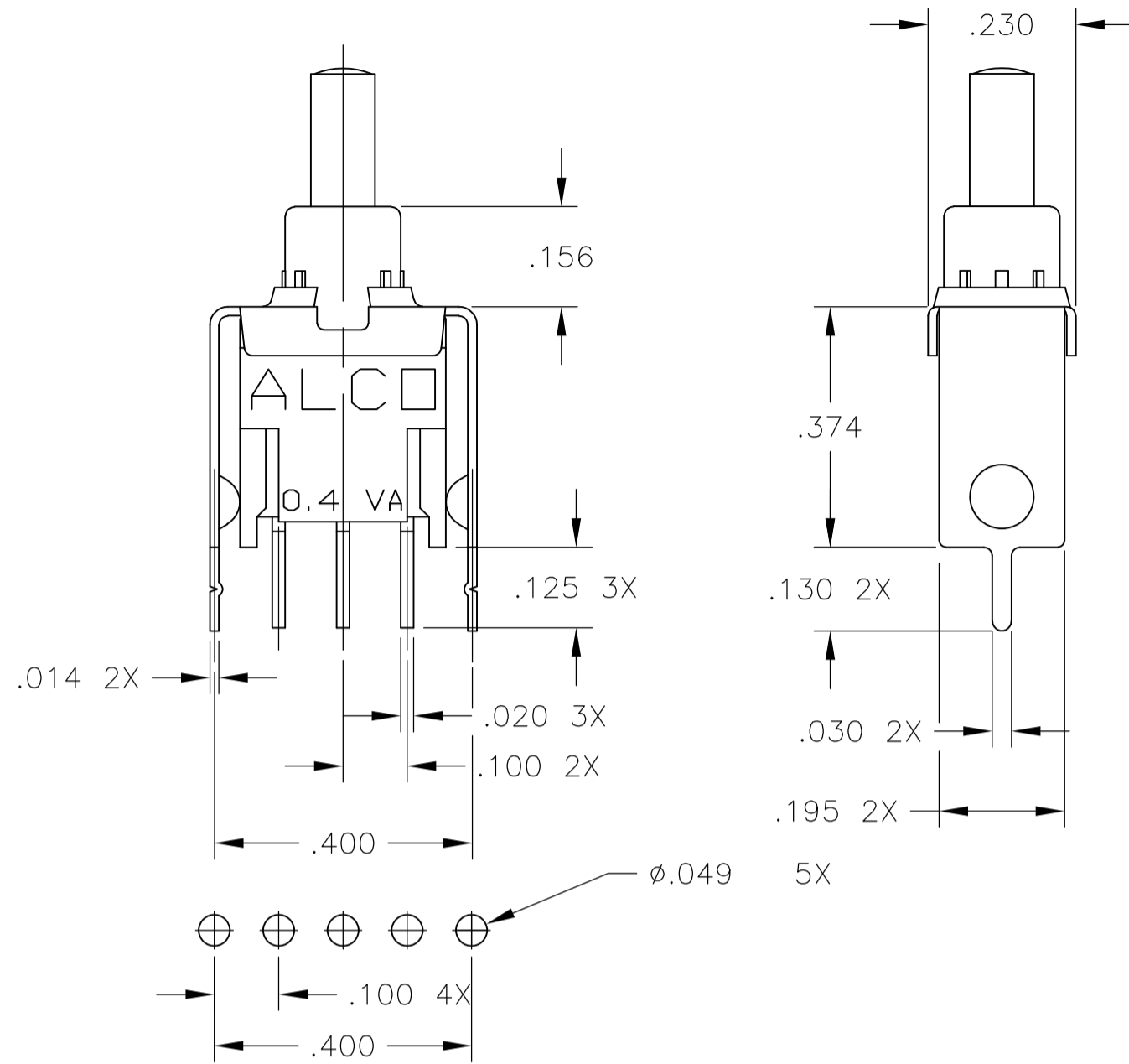


C 2 POSITIONS OFF (ON) TERMINALS CONNECTED: 1-3 OMIT CENTER TERMINAL FOR FUNCTION C	F 2 POSITIONS ON (ON) TERMINALS CONNECTED: 1-2 2-3
<p>OFF INDICATES A MECHANICAL POSITION WITH NO ELECTRICAL CONNECTION.</p> <p>(ON) INDICATES MOMENTARY ACTION</p>	

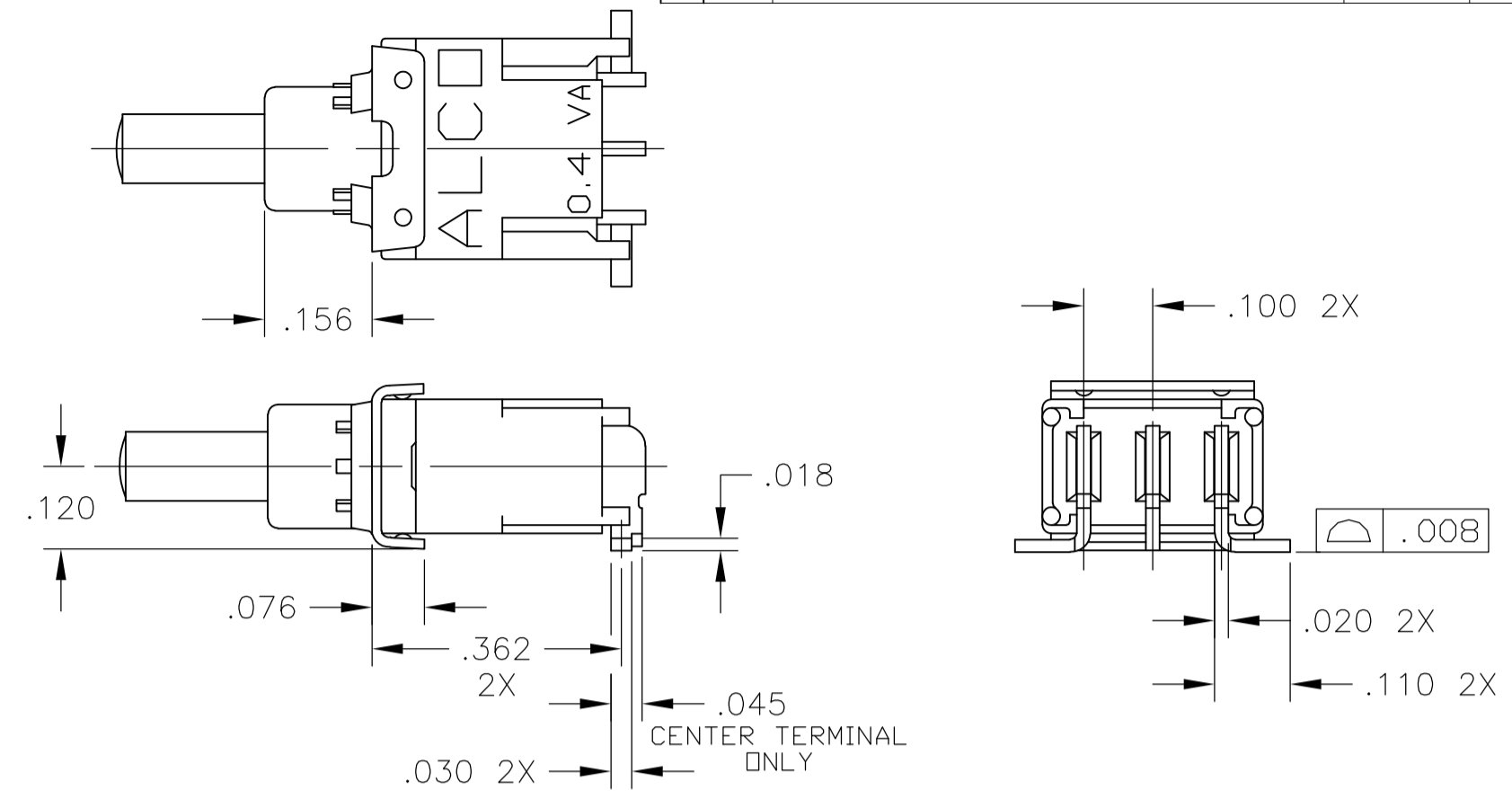
THIS DRAWING IS A CONTROLLED DOCUMENT.		DWN: M.BINNER 01MAR05																				
DIMENSIONS: INCHES		CHK: M.ZITTO 01MAR05																				
TOLERANCES UNLESS OTHERWISE SPECIFIED:		APVD: M.ZITTO 01MAR05	NAME: SEALED PUSHBUTTON SWITCH SINGLE POLE, TSP SERIES, ROHS COMPLIANT																			
<table border="1"> <tr><td>0 PLC</td><td>±</td><td>-</td></tr> <tr><td>1 PLC</td><td>±</td><td>-</td></tr> <tr><td>2 PLC</td><td>±</td><td>-</td></tr> <tr><td>3 PLC</td><td>±</td><td>.010</td></tr> <tr><td>4 PLC</td><td>±</td><td>-</td></tr> <tr><td>ANGLES</td><td>±</td><td>1°</td></tr> </table>		0 PLC	±	-	1 PLC	±	-	2 PLC	±	-	3 PLC	±	.010	4 PLC	±	-	ANGLES	±	1°	PRODUCT SPEC: -	RESTRICTED TO: -	
0 PLC	±	-																				
1 PLC	±	-																				
2 PLC	±	-																				
3 PLC	±	.010																				
4 PLC	±	-																				
ANGLES	±	1°																				
MATERIAL: -		APPLICATION SPEC: -	SIZE: A2	CAGE CODE: 00779	DRAWING NO: C=1571990																	
FINISH: -		WEIGHT: -	SCALE: 4:1		SHEET: 1 OF 4																	
CUSTOMER DRAWING		REV: A1																				

THIS DRAWING IS UNPUBLISHED. RELEASED FOR PUBLICATION
 © COPYRIGHT - By - ALL RIGHTS RESERVED.

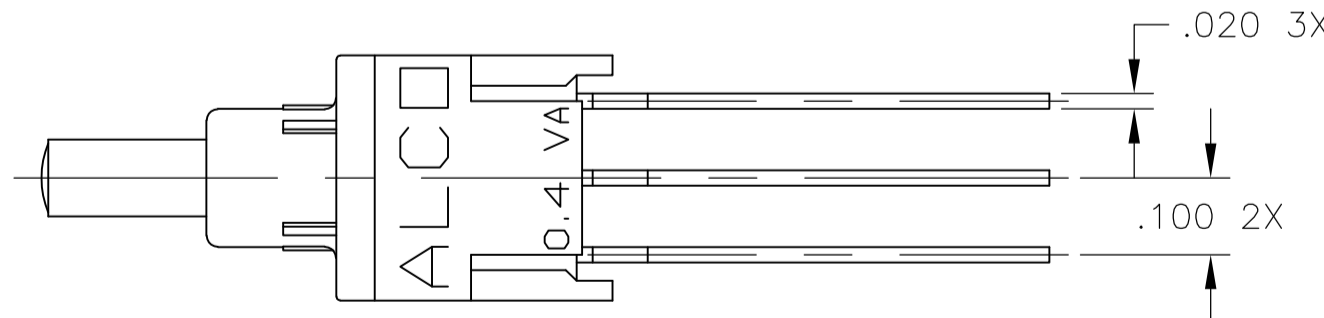
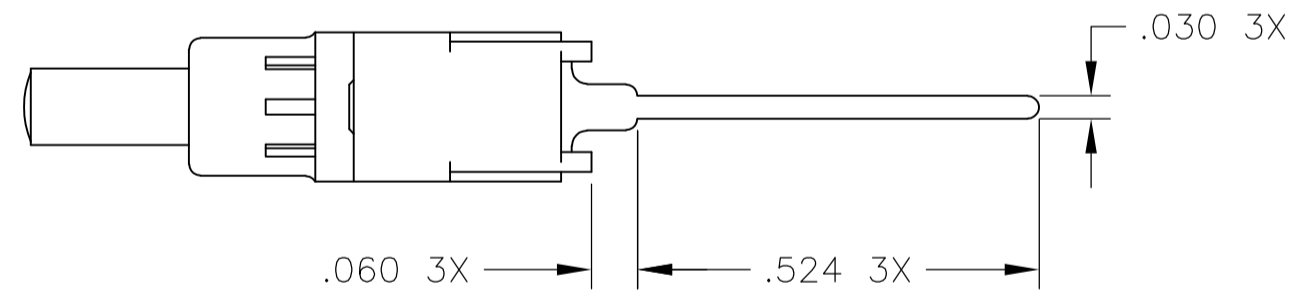
LOC		DIST		REVISIONS			
P	LTR	DESCRIPTION	DATE	DWN	APVD		
AD	00	SEE SHEET 1	-	-	-		



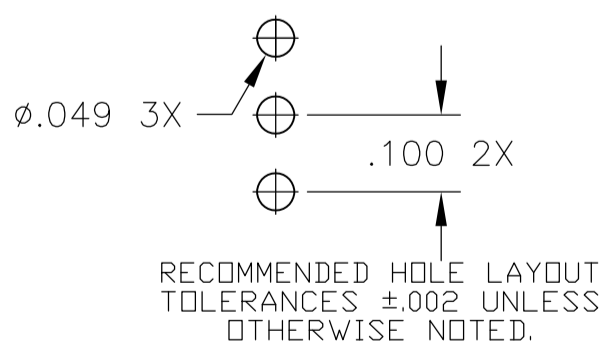
PCV PC WITH VERTICAL SUPPORT BRACKET



SRA SURFACE MOUNT RIGHT ANGLE, "L" BEND



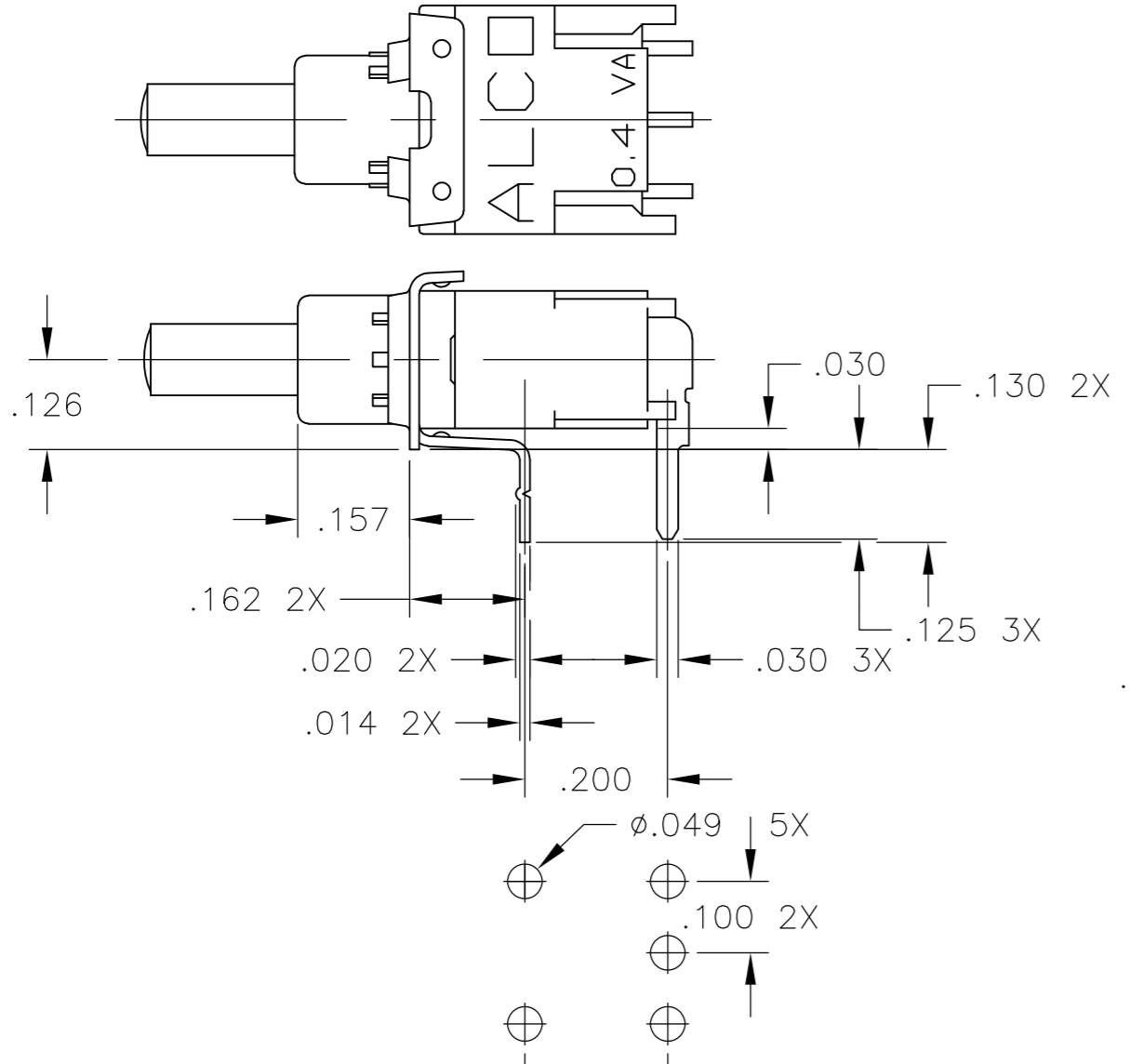
WW WIRE WRAP



THIS DRAWING IS A CONTROLLED DOCUMENT.		DWN M.BINNER 01MAR05		NAME		
DIMENSIONS: INCHES		CHK M.ZITTO 01MAR05		SEALED PUSHBUTTON SWITCH SINGLE POLE, TSP SERIES, ROHS COMPLIANT		
TOLERANCES UNLESS OTHERWISE SPECIFIED:		APVD M.ZITTO 01MAR05		SIZE	CAGE CODE	DRAWING NO
0 PLC ± - 1 PLC ± - 2 PLC ± - 3 PLC ± .010 4 PLC ± - ANGLES ± 1°		PRODUCT SPEC		A2	00779	1571990
MATERIAL		FINISH	WEIGHT	SCALE	SHEET	RESTRICTED TO
-		-	-	4:1	2 of 4	-
CUSTOMER DRAWING			SCALE	SHEET	REV	
			4:1	2 of 4	A1	

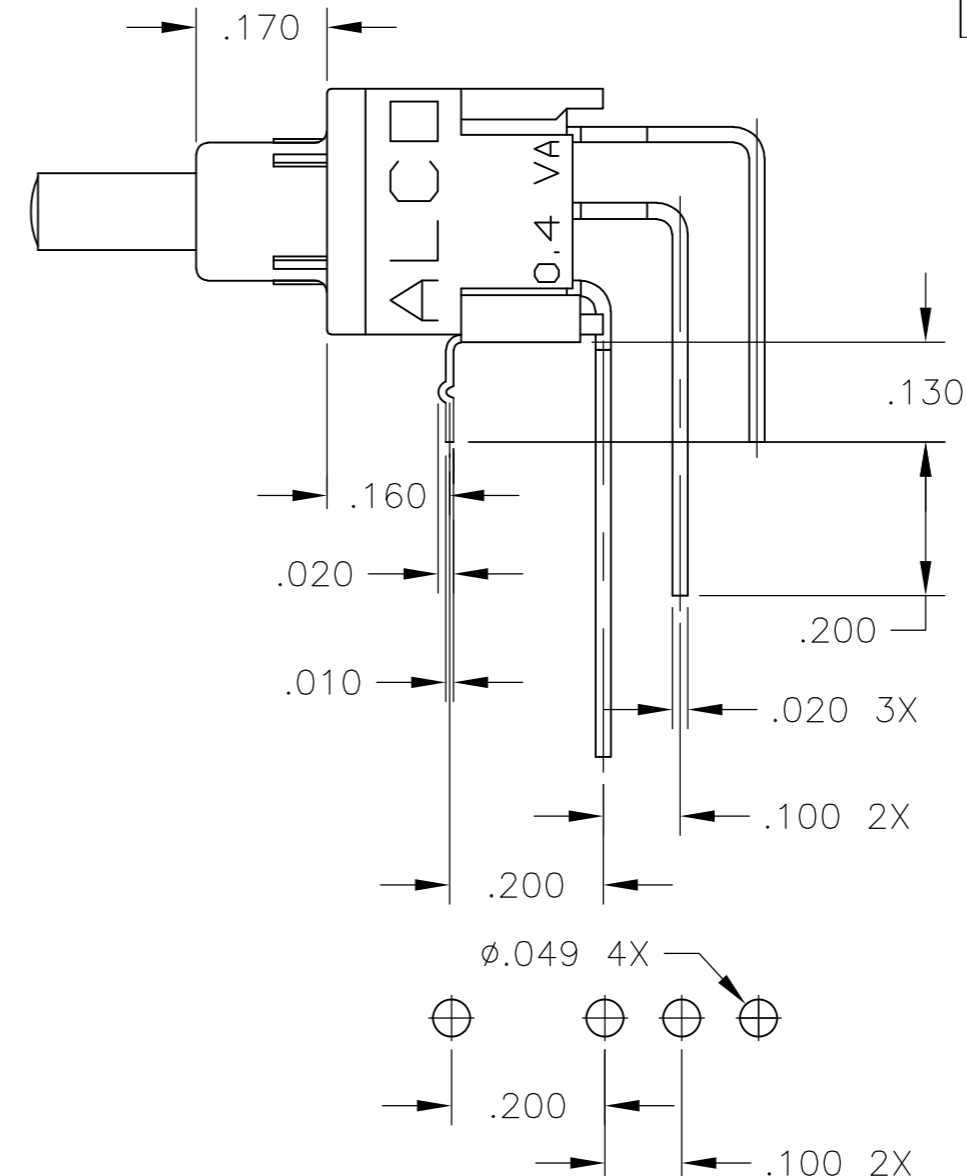
THIS DRAWING IS UNPUBLISHED. RELEASED FOR PUBLICATION
 © COPYRIGHT - By - ALL RIGHTS RESERVED.

LOC		DIST		REVISIONS			
P	LTR	DATE	DWN	APVD	DESCRIPTION		
AD	00				SEE SHEET 1		



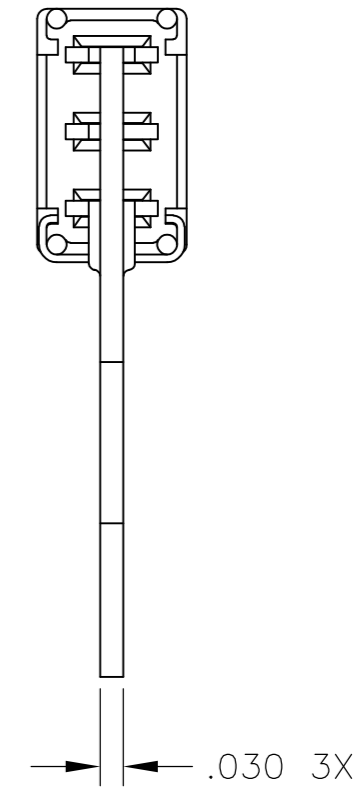
RECOMMENDED HOLE LAYOUT TOLERANCES
 ±.002 UNLESS OTHERWISE NOTED

RA RIGHT ANGLE



RECOMMENDED HOLE LAYOUT TOLERANCES
 ±.002 UNLESS OTHERWISE NOTED.

VRA VERTICAL RIGHT ANGLE


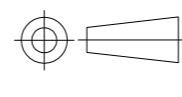


THIS DRAWING IS A CONTROLLED DOCUMENT.		DWN	M.BINNER	01MAR05		NAME		SEALED PUSHBUTTON SWITCH	
DIMENSIONS:		CHK	M.ZITTO	01MAR05		PRODUCT SPEC		SINGLE POLE, TSP SERIES, ROHS COMPLIANT	
INCHES		APVD	M.ZITTO	01MAR05		APPLICATION SPEC		RESTRICTED TO	
TOLERANCES UNLESS OTHERWISE SPECIFIED:		MATERIAL		WEIGHT		SCALE		SHEET	
0 PLC	± -	FINISH		-		A2 00779 C=1571990		3 OF 4	
1 PLC	± -					4:1		REV	
2 PLC	± -							A1	
3 PLC	± .010								
4 PLC	± -								
ANGLES	± 1°								
CUSTOMER DRAWING									

THIS DRAWING IS UNPUBLISHED. RELEASED FOR PUBLICATION
 © COPYRIGHT - By - ALL RIGHTS RESERVED.

LOC	DIST	REVISIONS			
P	LTR	DESCRIPTION	DATE	DWN	APVD
		SEE SHEET 1			

obsolete	TSPDF11FGVRA004	3-1571990-1
obsolete	TSPDF11FGSRA004	3-1571990-0
	TSPDF11FGRA004	2-1571990-9
	TSPDF11FGPC004	2-1571990-8
	TSPDF11CGVRA004	2-1571990-7
preliminary	TSPDF11CGSRA004	2-1571990-6
	TSPDF11CGRA004	2-1571990-5
obsolete	TSPDF11CGSRAB0TR04	2-1571990-4
preliminary	TSPDF11CGSRA0TR04	2-1571990-3
	TSPDF11CGPC004	2-1571990-2
	TSPD11FGVRA004	2-1571990-1
obsolete	TSPD11FGSRAB004	2-1571990-0
obsolete	TSPD11FGSRA004	1-1571990-9
obsolete	TSPD11FGSPC004	1-1571990-8
	TSPD11FGRA004	1-1571990-7
	TSPD11FGPCV004	1-1571990-6
	TSPD11FGPC004	1-1571990-5
	TSPD11CGWW004	1-1571990-4
	TSPD11CGVRA004	1-1571990-3
obsolete	TSPD11CGSRAB004	1-1571990-2
preliminary	TSPD11CGSRA204	1-1571990-1
preliminary	TSPD11CGSRA0TR04	1-1571990-0
preliminary	TSPD11CGSRA004	1571990-9
obsolete	TSPD11CGSPC204	1571990-8
obsolete	TSPD11CGSPC004	1571990-7
	available	1571990-6
	TSPD11CGRA204	1571990-5
	TSPD11CGRA004	1571990-4
	TSPD11CGPCV004	1571990-3
	TSPD11CGPC204	1571990-2
	TSPD11CGPC004	1571990-1
	Alco P/N	P/N

THIS DRAWING IS A CONTROLLED DOCUMENT.		DWN M.BINNER 01MAR05	 TE Connectivity	
DIMENSIONS: INCHES		CHK M.ZITTO 01MAR05		
TOLERANCES UNLESS OTHERWISE SPECIFIED:		APVD M.ZITTO 01MAR05	NAME SEALED PUSHBUTTON SWITCH SINGLE POLE, TSP SERIES, ROHS COMPLIANT	
		PRODUCT SPEC -	RESTRICTED TO -	
MATERIAL -		FINISH -	WEIGHT -	SIZE A2
			CAGE CODE 00779	DRAWING NO 1571990
			SCALE 1:1	SHEET 4 of 4
			CUSTOMER DRAWING	REV A1



Компания «ЭлектроПласт» предлагает заключение долгосрочных отношений при поставках импортных электронных компонентов на взаимовыгодных условиях!

Наши преимущества:

- Оперативные поставки широкого спектра электронных компонентов отечественного и импортного производства напрямую от производителей и с крупнейших мировых складов;
- Поставка более 17-ти миллионов наименований электронных компонентов;
- Поставка сложных, дефицитных, либо снятых с производства позиций;
- Оперативные сроки поставки под заказ (от 5 рабочих дней);
- Экспресс доставка в любую точку России;
- Техническая поддержка проекта, помощь в подборе аналогов, поставка прототипов;
- Система менеджмента качества сертифицирована по Международному стандарту ISO 9001;
- Лицензия ФСБ на осуществление работ с использованием сведений, составляющих государственную тайну;
- Поставка специализированных компонентов (Xilinx, Altera, Analog Devices, Intersil, Interpoint, Microsemi, Aeroflex, Peregrine, Syfer, Eurofarad, Texas Instrument, Miteq, Cobham, E2V, MA-COM, Hittite, Mini-Circuits, General Dynamics и др.);

Помимо этого, одним из направлений компании «ЭлектроПласт» является направление «Источники питания». Мы предлагаем Вам помощь Конструкторского отдела:

- Подбор оптимального решения, техническое обоснование при выборе компонента;
- Подбор аналогов;
- Консультации по применению компонента;
- Поставка образцов и прототипов;
- Техническая поддержка проекта;
- Защита от снятия компонента с производства.



Как с нами связаться

Телефон: 8 (812) 309 58 32 (многоканальный)

Факс: 8 (812) 320-02-42

Электронная почта: org@eplast1.ru

Адрес: 198099, г. Санкт-Петербург, ул. Калинина, дом 2, корпус 4, литера А.