

REFERENCE SPECIFICATIONS

-NFC 93425 (in compliance with HE 507)

PHYSICAL CHARACTERISTICS

- INSULATOR MATERIAL: THERMOPLASTIC UL94V0
- CONTACT MATERIAL: BRASS(SIGNAL CONTACT)
BRASS (POWERS CONTACT)
- ACCESSORIES: BRASS
- SHELLS: STEEL

ELECTRICAL CHARACTERISTICS

- NOMINAL CURRENT: 7.5A (SIGNAL CONTACT)
30A or 40A (POWER CONTACT)
- CONTACT RESISTANCE: 7.3 m Ohms(SIGNAL and POWER)
- CONTACT/VOLTAGE : 1000 V
- CONTACT/GROUND : 1200 V
- INSULATION RESISTANCE: 5000 MOhms

- CLIMATIC CATEGORY: 55/125/21
TEMPERATURE RANGE -55°C TO +125°C
DAMP HEAT STEADY STATE 21 DAYS
SALT SPRAY 48 HOURS

- RETENTION AGAINST TORQUE: - Threaded insert: 0.7 N.m minimum
- Female screw : 0.5 N.m minimum

NOTE RoHS INFORMATION

- The "LF" products meet european union Directives and other country regulations as described in GS-22-008.
- The housing will withstand exposure to 260°C peak temperature for 3.5 seconds in a wave solder application with a 1.6mm minimum thick circuit board. See application notes/procedures if they are available.
- Termination plating spec:
 - Signal contacts: Ni + Gold
 - Power contacts: Ni 1.27µmi+Sn 2.5 to 7.5µ.pure bright
- Active area plating spec:
 - Signal and power contacts: Ni + Gold
- Shell plating :2 to 4µm Cu + 3 to 10µmm Sn.pure bright
- Accessories: Sn pure bright
- Packaging spec: See GS-14-920

DBL13W3S300G30LF

Series

Shell size: **E A B C D**
see sheet 2

Front accessory definition
see sheet 2

- (blank)** :No shell accessory
- L** :Threaded insert M3
- O** :Threaded insert UNC 4-40
- V** :Female screw UNC 4-40
- I** :Female screw UNC M3

Layout of contacts (see sheet 3)

Contacts

S :Socket

Termination type

3 Straight version

Plating

- 00** 200 matings/unmatings
- 43** 500 matings/unmatings

PCB accessories definition
see sheet 2

- A** : No PCB accessory
- H** : Harpoons for PCB 2.40mm
- G** : Harpoons for PCB 1.60mm

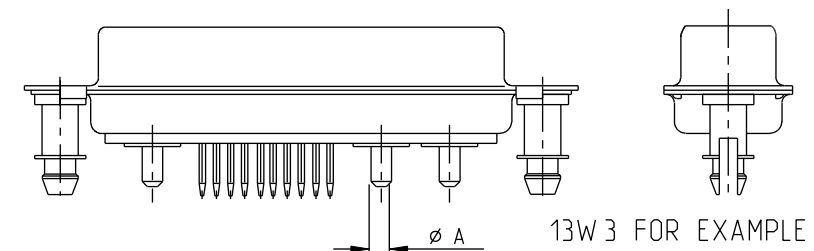
Power contacts

- 00** :Not fitted with power contact
- 30** :Fitted with power contacts 30 Amp.
- 40** :Fitted with power contacts 40 Amp.

See note RoHS

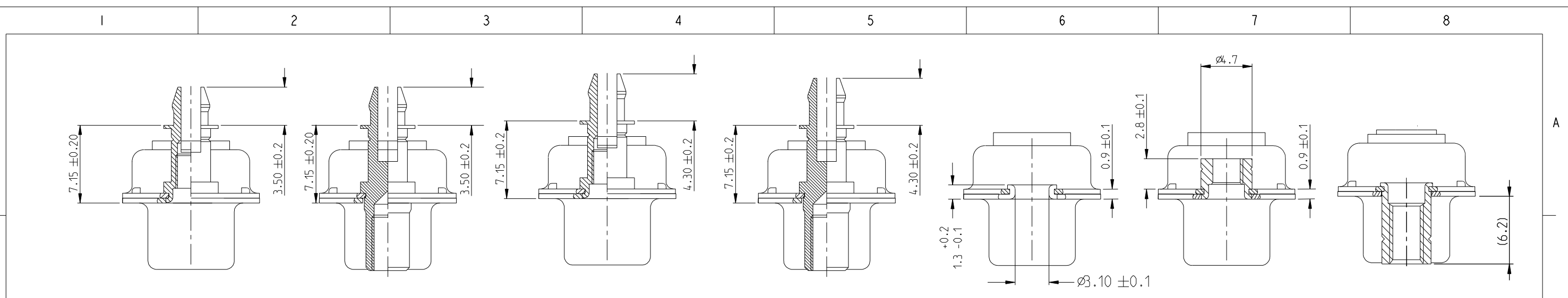
TABLE 1:PCB HOLE DIAMETERS

	POWER CONTACTS		ACCESSORIES	SIGNAL CONTACTS
	30 A	40 A		
	2.00	3.10	∅3.10	∅0.90 min
Max current power	∅A +0.1 0	PCB HOLE +/-0.1	PCB HOLE +/-0.1	PCB HOLE +/-0.1



www.fciconnect.com		Surface ISO 1302	tolerance std ISO 406 ISO 1101	projection	mm
Dr M PESSON 2005-10-11		TOLERANCES UNLESS OTHERWISE SPECIFIED		size A2	Scale 2:1
Eng P LEGARE 2005-10-11	Chr	ANGULAR 0° ±2°	LINEAR 0.x ±0.3 0.xx ±0.1 0.xxx ±0.05	ECN F10-0035	
Appr		Product family		- Spec ref	
rev ecn no dr date		title SUB SOCKET DW		dwg no C01-8639-2302	
H F09-0092 LSA 2009/09/16	mixed power straight solder		Rev. J		
J F10-0035 LSA 2010/04/14	catalog no		CUSTOMER		sheet 1 of 7
D LS07-0165 MPE 2007/06/14					
E LS07-0273 MPE 2007/10/31					
F LS08-0067 MPE 2008/03/10					
G LS09-0027 MPE 2009/01/21					

Copyright FCI



FRONT ACCESSORIES	L insert M3 O insert UNC 4.40	V insert UNC 4.40 I Female screw M3	L insert M3 O insert UNC 4.40	V insert UNC 4.40 I Female screw M3	(Blank) without	L insert M3 O insert UNC 4.40	V Female screw UNC 4-40 I Female screw M3
PCB ACCESSORIES	G Harpoon for PCB 1.60mm	G Harpoon for PCB 1.60mm	H Harpoon for PCB 2.40mm	H Harpoon for PCB 2.40mm	A without	A without	A without

(this part of the table is not detailed in tables below)

PART NUMBER	AMPS	MATINGS/ UNMATINGS	FRONT ACCESSORY	PCB ACCESSORIES
D*LxWxS300G30LF	30	200	insert M3	harpoon PCB 1.60mm
D*OxWxS300G30LF	30	200	insert UNC 4.40	harpoon PCB 1.60mm
D*VxWxS300G30LF	30	200	female screw UNC 4.40	harpoon PCB 1.60mm
D*LxWxS300H30LF	30	200	insert M3	harpoon PCB 2.40mm
D*OxWxS300H30LF	30	200	insert UNC 4.40	harpoon PCB 2.40mm
D*VxWxS300H30LF	30	200	female screw UNC 4.40	harpoon PCB 2.40mm
D*LxWxS300G40LF	40	200	insert M3	harpoon PCB 1.60mm
D*OxWxS300G40LF	40	200	insert UNC 4.40	harpoon PCB 1.60mm
D*VxWxS300G40LF	40	200	female screw UNC 4.40	harpoon PCB 1.60mm
D*LxWxS300H40LF	40	200	insert M3	harpoon PCB 2.40mm
D*OxWxS300H40LF	40	200	insert UNC 4.40	harpoon PCB 2.40mm
D*VxWxS300H40LF	40	200	female screw UNC 4.40	harpoon PCB 2.40mm

shell size *
E 5W1
A 11W1
A 7W2
B 21W1
B 17W2
B 13W3
B 9W4
C 25W3
C 21WA4
C 27W2
D 47W1
D 24W7
D 36W4

PART NUMBER	AMPS	MATINGS/ UNMATINGS	FRONT ACCESSORY	PCB ACCESSORIES
D*LxWxS343G30LF	30	500	insert M3	harpoon PCB 1.60mm
D*OxWxS343G30LF	30	500	insert UNC 4.40	harpoon PCB 1.60mm
D*VxWxS343G30LF	30	500	female screw UNC 4.40	harpoon PCB 1.60mm
D*LxWxS343H30LF	30	500	insert M3	harpoon PCB 2.40mm
D*OxWxS343H30LF	30	500	insert UNC 4.40	harpoon PCB 2.40mm
D*VxWxS343H30LF	30	500	female screw UNC 4.40	harpoon PCB 2.40mm
D*LxWxS343G40LF	40	500	insert M3	harpoon PCB 1.60mm
D*OxWxS343G40LF	40	500	insert UNC 4.40	harpoon PCB 1.60mm
D*VxWxS343G40LF	40	500	female screw UNC 4.40	harpoon PCB 1.60mm
D*LxWxS343H40LF	40	500	insert M3	harpoon PCB 2.40mm
D*OxWxS343H40LF	40	500	insert UNC 4.40	harpoon PCB 2.40mm
D*VxWxS343H40LF	40	500	female screw UNC 4.40	harpoon PCB 2.40mm

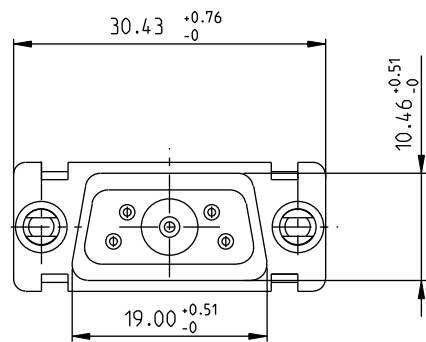
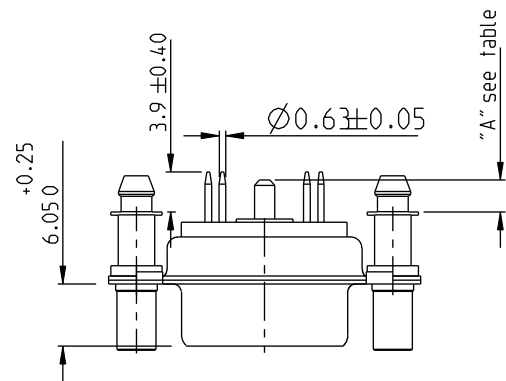
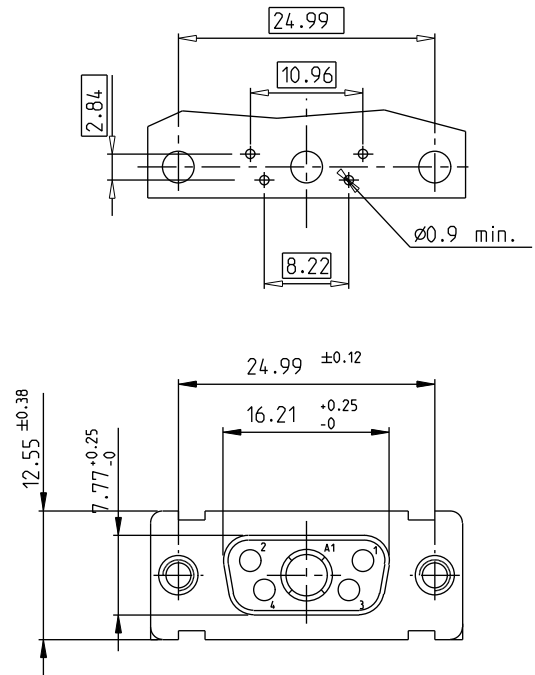
Copyright FCI. FCI

www.fciconnect.com		Surface ISO 1302	tolerance std ISO 406 ISO 1101	projection	mm
		TOLERANCES UNLESS OTHERWISE SPECIFIED		size A2	Scale 2:1
Dr M PESSON	2005-10-11	ANGULAR	LINEAR	ECN	F10-0035
Eng P LEGARE	2005-10-11	0° ±2°	0.X ±0.3 0.XX ±0.1 0.XXX ±0.05	Product family	Spec ref
FCI		title SUB SOCKET DW mixed power straight solder		dwg no C01-8639-2302	Rev. J
catalog no		CUSTOMER		sheet 2 of 7	

5W 1

LAYOUT AND CONNECTOR DIMENSIONS

For PCB hole diameters see table 1 sheet 1

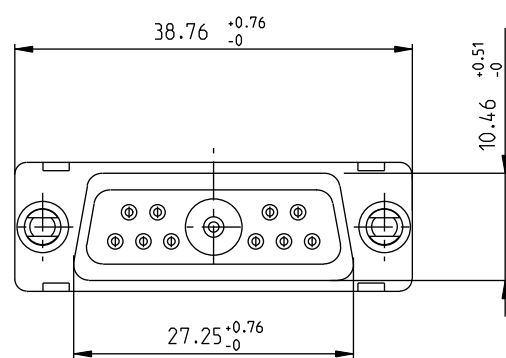
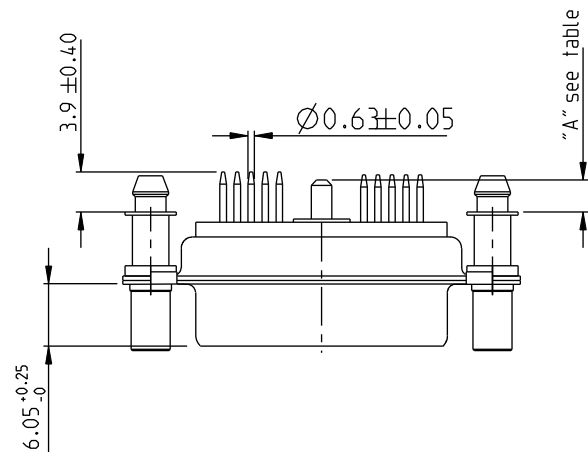
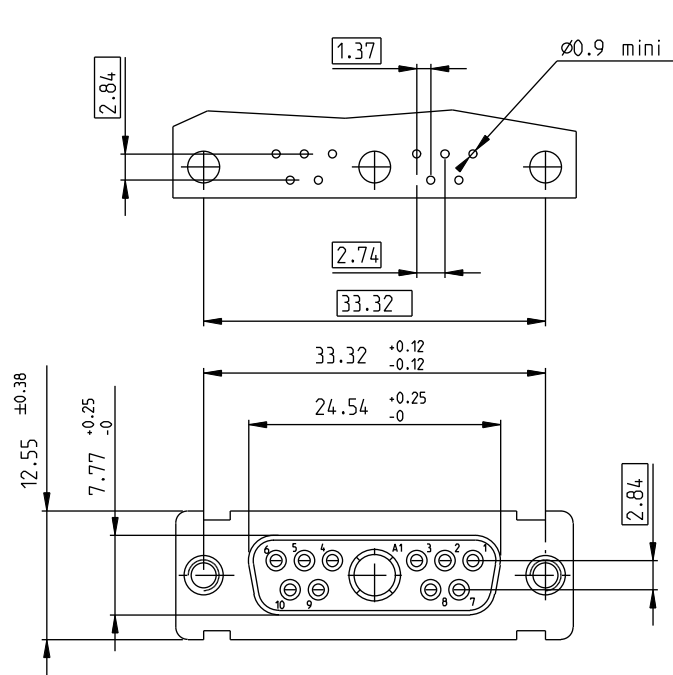


Floating signal contacts

11W 1

LAYOUT AND CONNECTOR DIMENSIONS

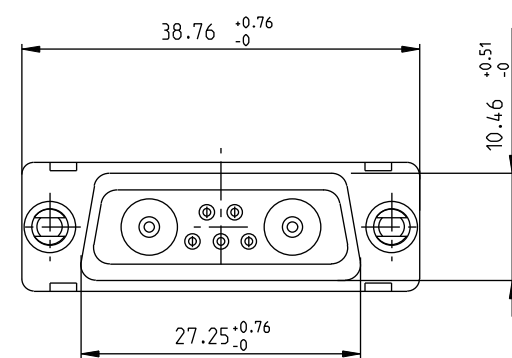
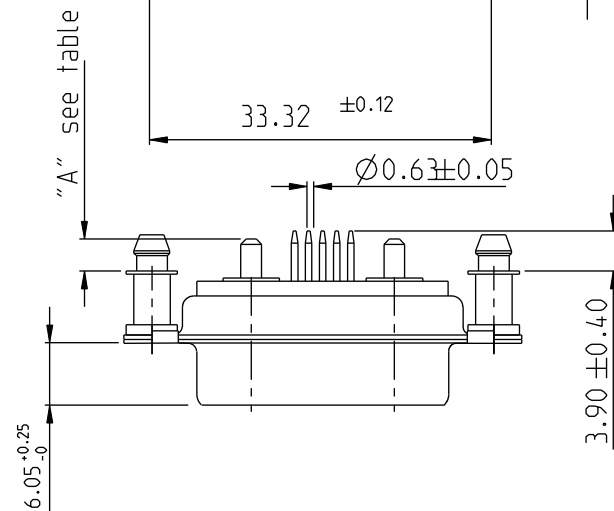
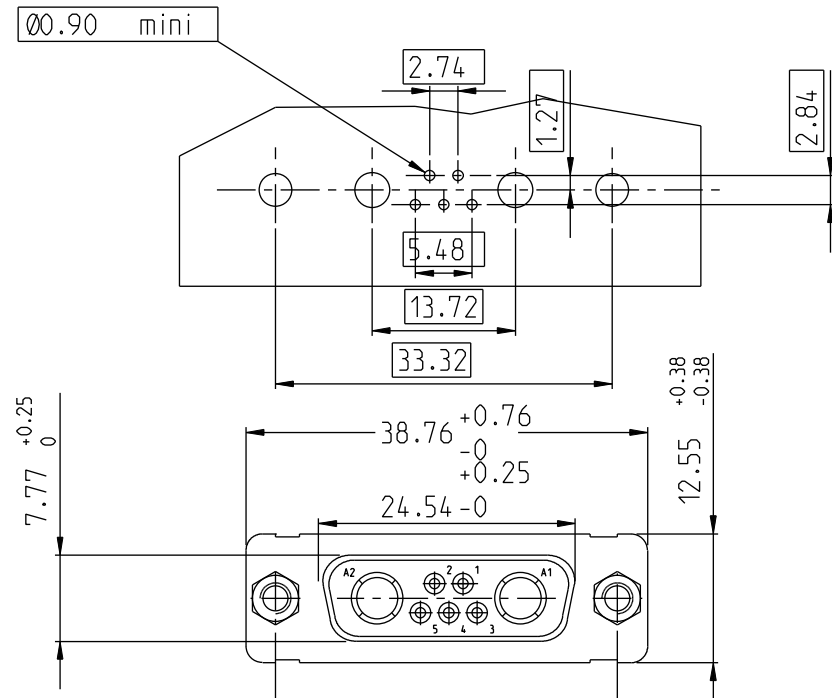
For PCB hole diameters see table 1 sheet 1



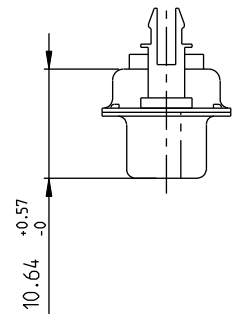
7W 2

LAYOUT AND CONNECTOR DIMENSIONS

For PCB hole diameters see table 1 sheet 1



SIDE VIEW FOR LAYOUTS: E A B C



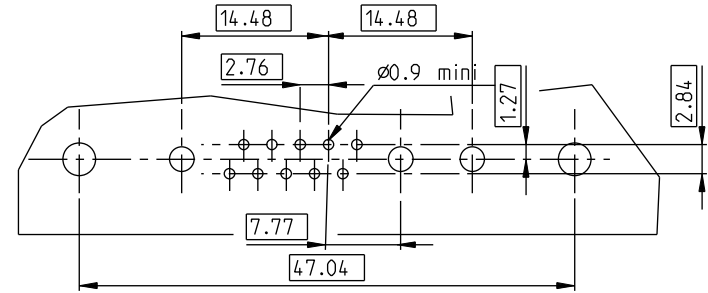
COTE "A"

30A	3.1±0.25
40A	3.6±0.25

www.fciconnect.com		Surface ISO 1302	tolerance std ISO 406 ISO 1101	projection mm
TOLERANCES UNLESS OTHERWISE SPECIFIED				
Dr	M PESSON	2005-10-11	0.x	±0.3
Eng	P LEGARE	2005-10-11	0.xx	±0.1
Chr			0.xxx	±0.05
Appr			Product family - Spec ref	
title SUB SOCKET DW mixed power straight solder		dwg no C01-8639-2302	Rev. J	
catalog no		CUSTOMER	sheet 3 of 7	

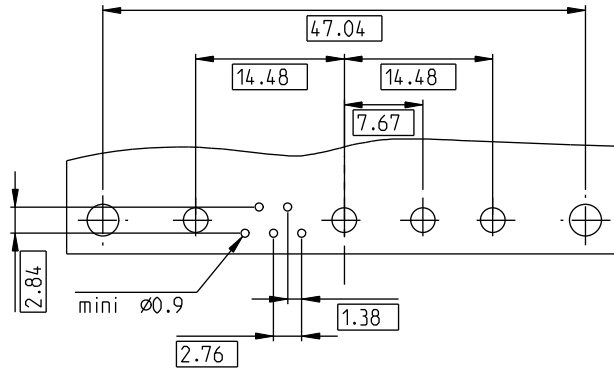
13W 3

LAYOUT AND CONNECTOR DIMENSIONS
For PCB hole diameters see table 1 sheet 1



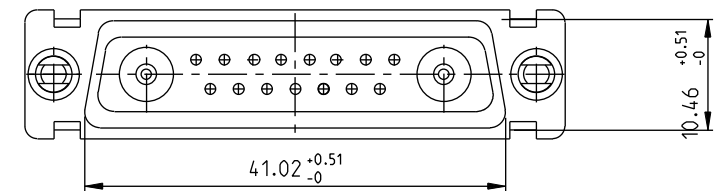
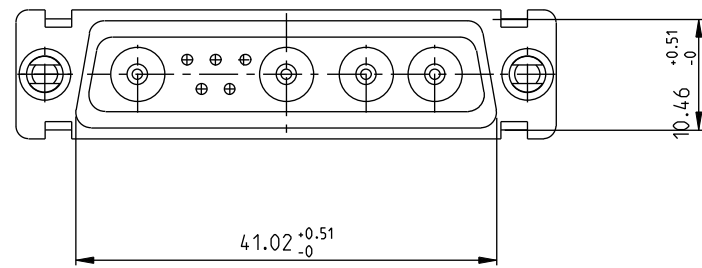
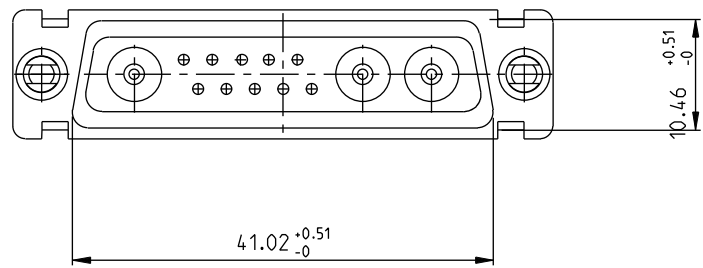
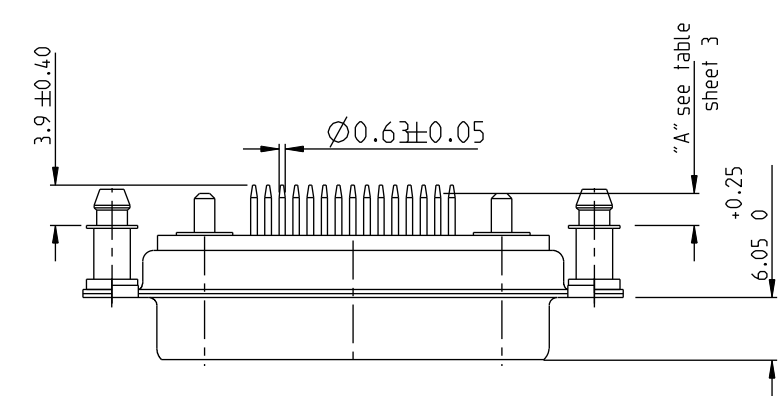
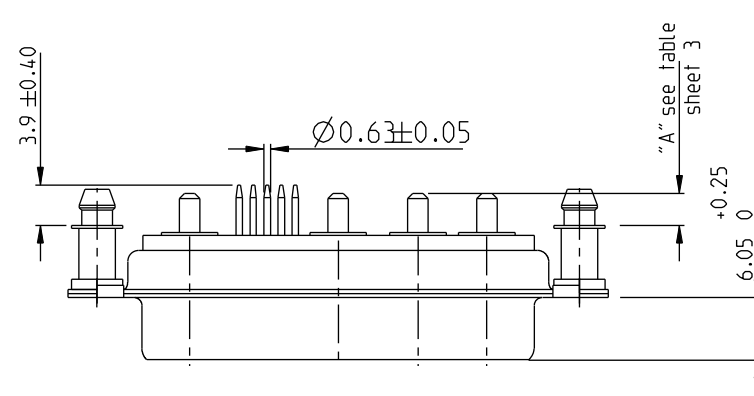
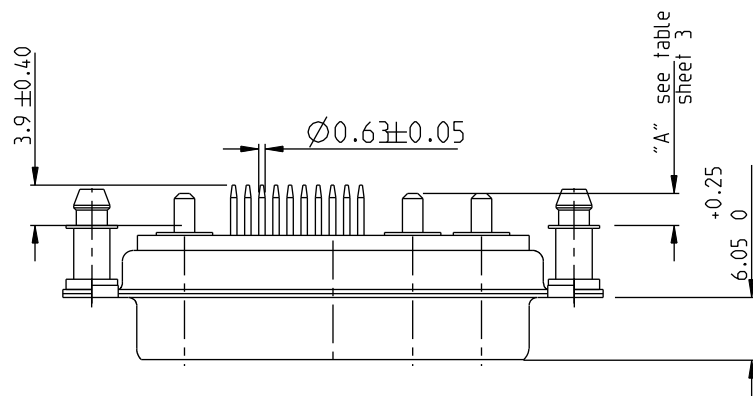
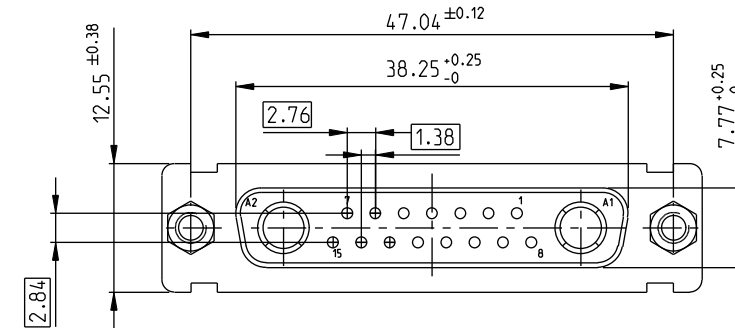
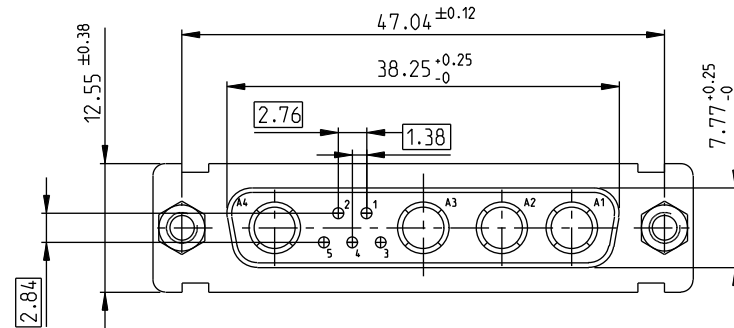
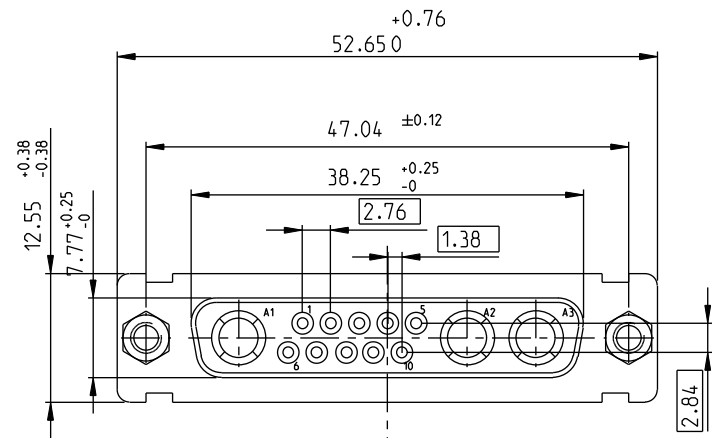
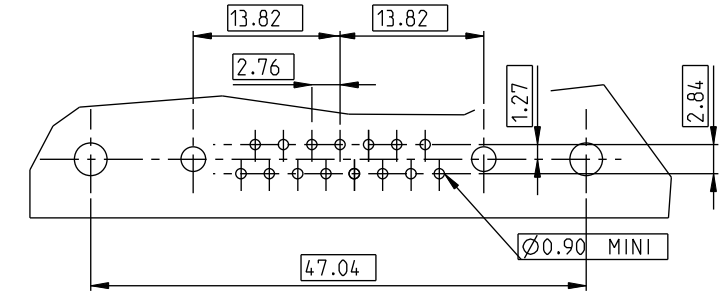
9W 4

LAYOUT AND CONNECTOR DIMENSIONS
For PCB hole diameters see table 1 sheet 1



17W 2

LAYOUT AND CONNECTOR DIMENSIONS
For PCB hole diameters see table 1 sheet 1



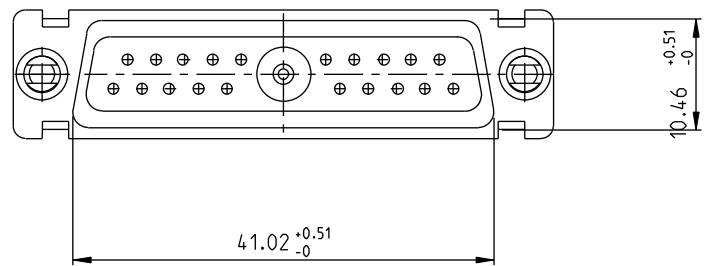
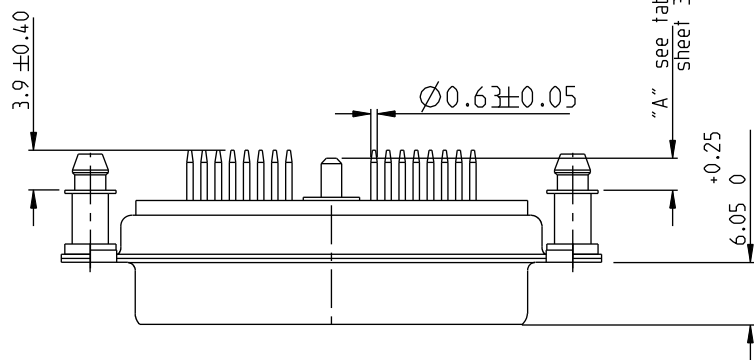
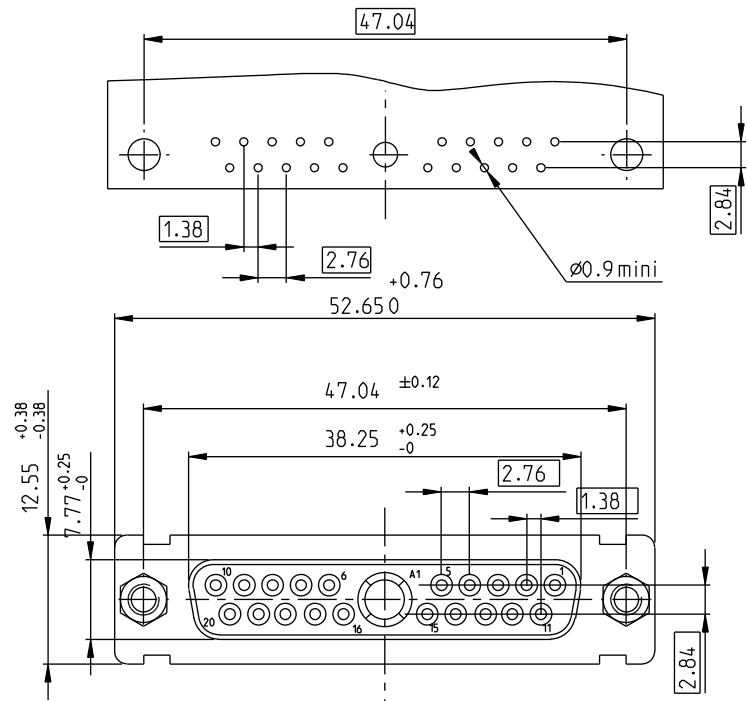
Floating signal contacts

www.fciconnect.com		Surface ISO 1302	tolerance std ISO 406 ISO 1101	projection mm
TOLERANCES UNLESS OTHERWISE SPECIFIED				
Dr	M PESSON	2005-10-11	0.X ±0.3	size A2
Eng	P LEGARE	2005-10-11	0.XX ±0.1	Scale 2:1
Chr			0.XXX ±0.05	ECN F10-0035
Appr			Product family	Spec ref
title SUB SOCKET DW		dwg no C01-8639-2302		Rev. J
catalog no		CUSTOMER		sheet 4 of 7

Copyright FCI.

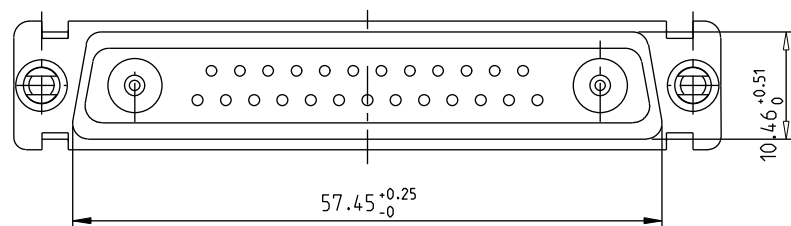
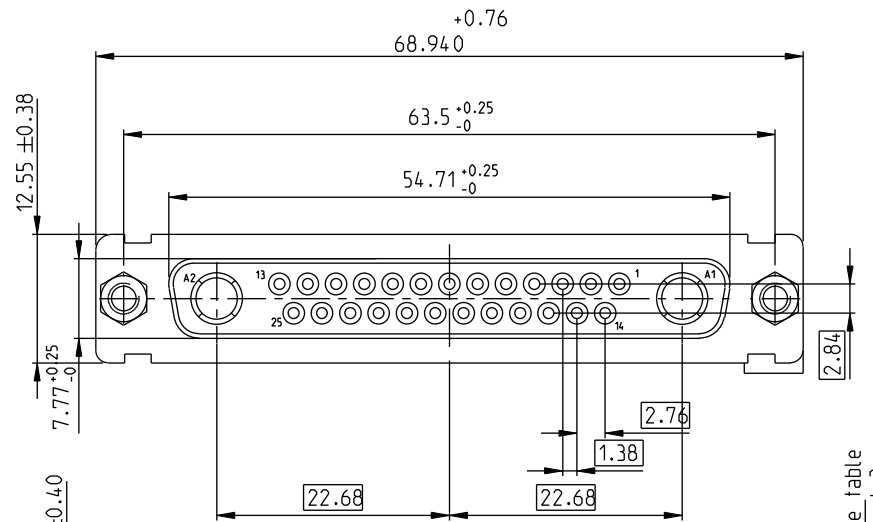
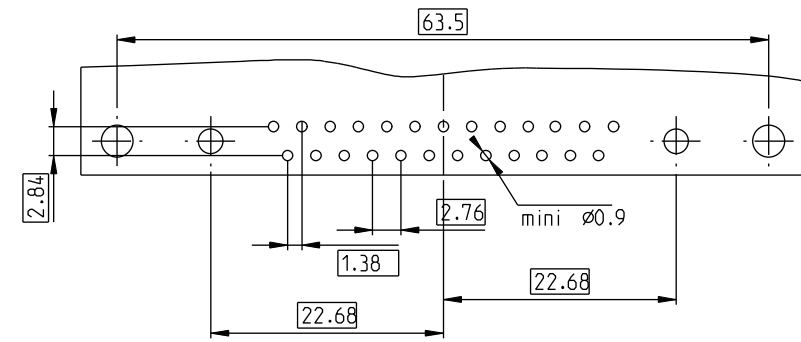
21W 1

LAYOUT AND CONNECTOR DIMENSIONS
For PCB hole diameters see table 1 sheet 1



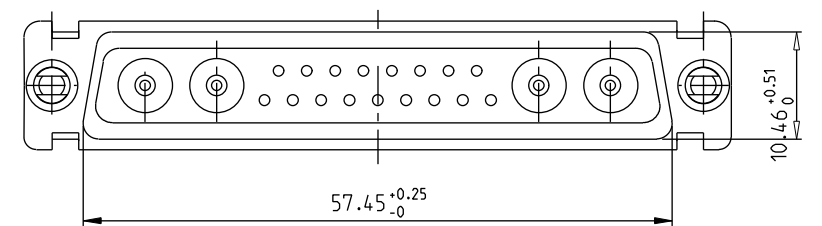
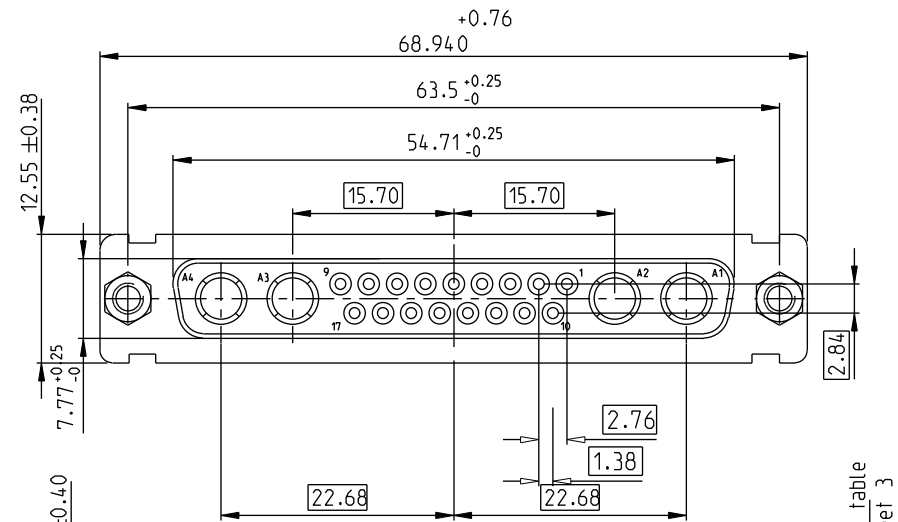
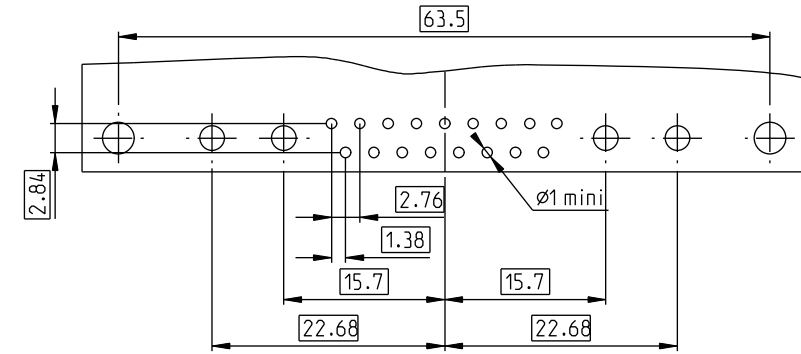
27W 2

LAYOUT AND CONNECTOR DIMENSIONS
For PCB hole diameters see table 1 sheet 1



21W A4

LAYOUT AND CONNECTOR DIMENSIONS
For PCB hole diameters see table 1 sheet 1



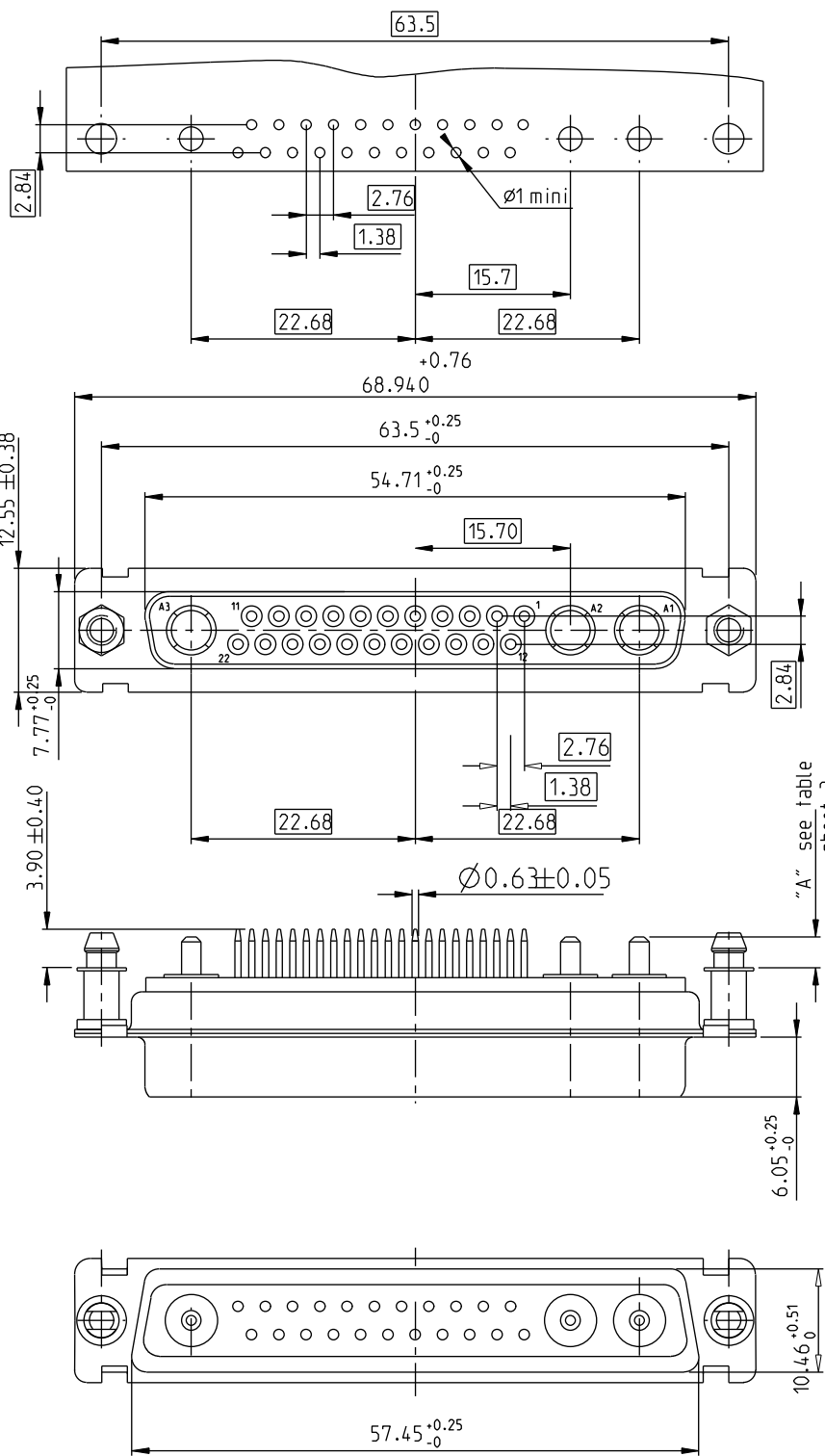
www.fciconnect.com		Surface ISO 1302	tolerance std ISO 406 ISO 1101	projection mm
TOLERANCES UNLESS OTHERWISE SPECIFIED				
Dr	M PESSON	2005-10-11	0.x ±0.3	size A2
Eng	P LEGARE	2005-10-11	0.xx ±0.1	Scale 2:1
Chr			0.xxx ±0.05	ECN F10-0035
Appr			Product family	Spec ref
FCI		title SUB SOCKET DW mixed power straight solder		Rev. J
catalog no		dwg no C01-8639-2302		sheet 5 of 7

Copyright FCI.

25W3

LAYOUT AND CONNECTOR DIMENSIONS

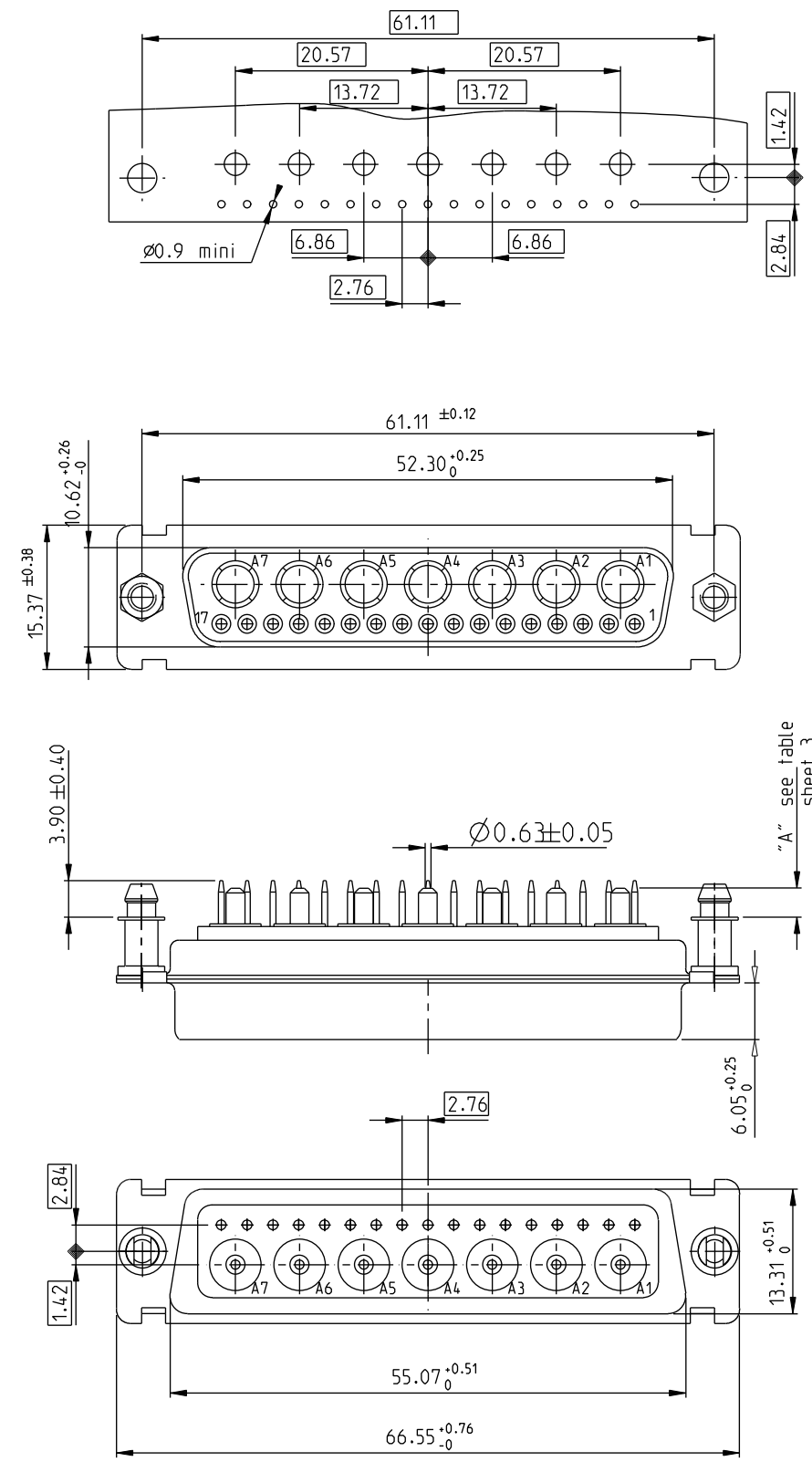
For PCB hole diameters see table 1 sheet 1



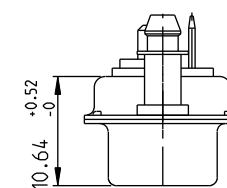
24W7

LAYOUT AND CONNECTOR DIMENSIONS

For PCB hole diameters see table 1 sheet 1



SIDE VIEW FOR LAYOUTS: D



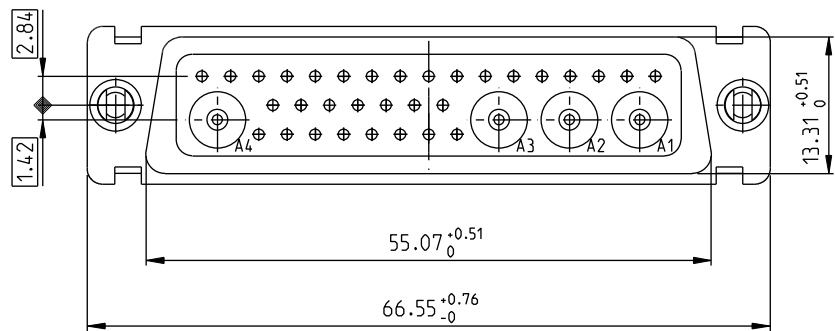
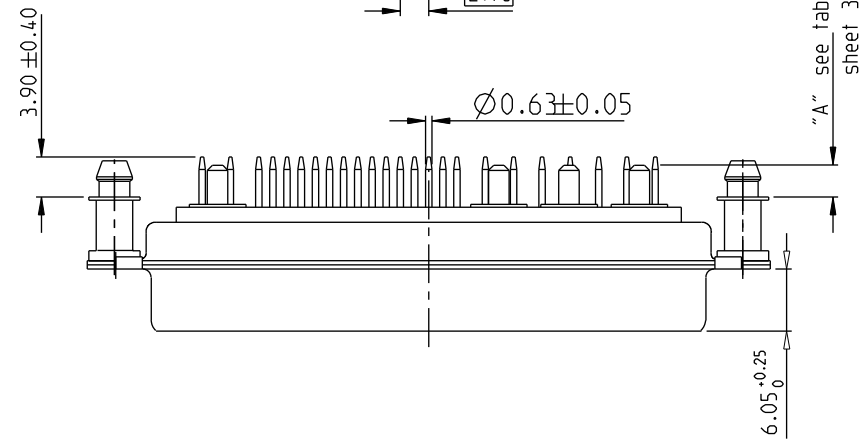
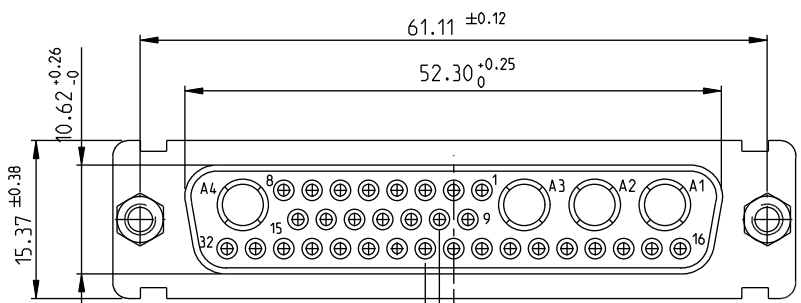
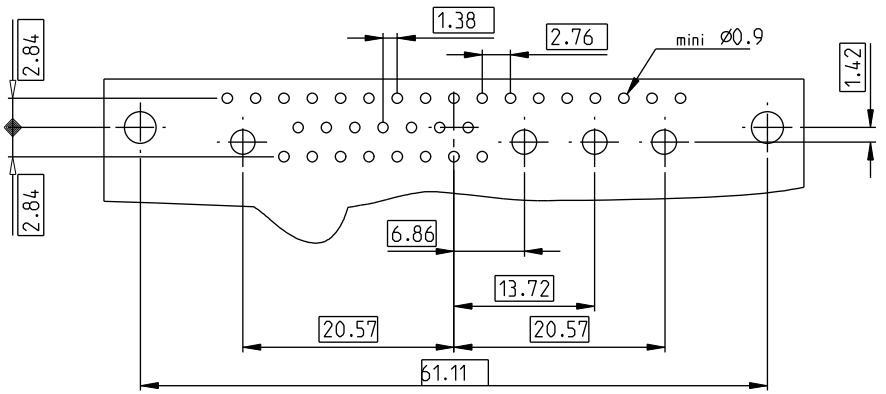
Copyright FCI.

www.fciconnect.com		Surface ISO 1302	tolerance std ISO 406 ISO 1101	projection mm
TOLERANCES UNLESS OTHERWISE SPECIFIED				
Dr	M PESSON	2005-10-11	0.x ± 0.3	size A2
Eng	P LEGARE	2005-10-11	0.xx ± 0.1	Scale 2:1
Chr			0.xxx ± 0.05	ECN F10-0035
Appr			Product family	- Spec ref
FCI title SUB SOCKET DW mixed power straight solder			dwg no C01-8639-2302	Rev. J
catalog no			CUSTOMER	sheet 6 of 7

36W4

LAYOUT AND CONNECTOR DIMENSIONS

For PCB hole diameters see table 1 sheet 1

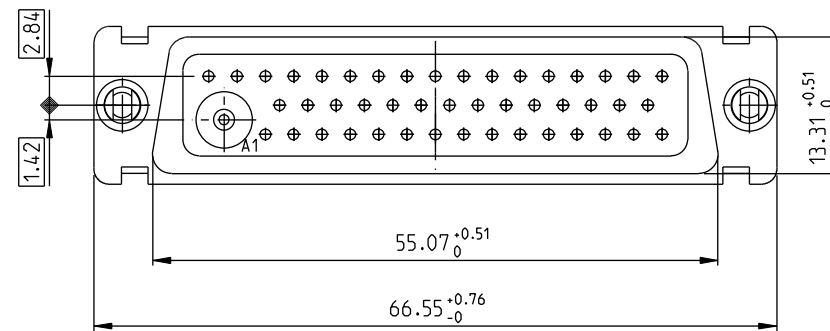
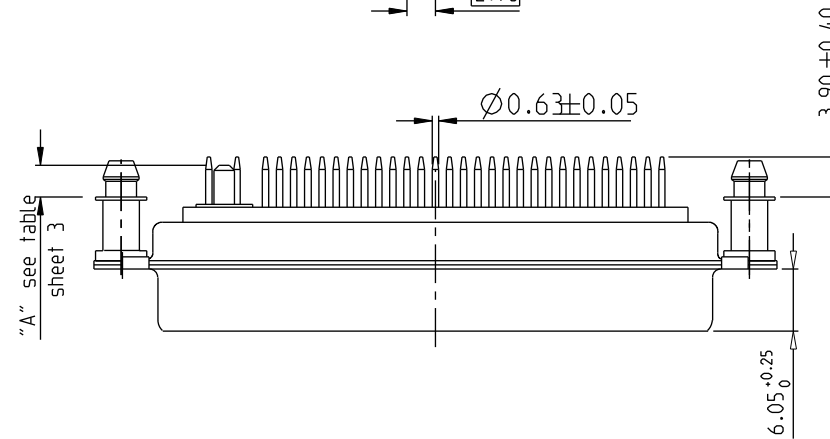
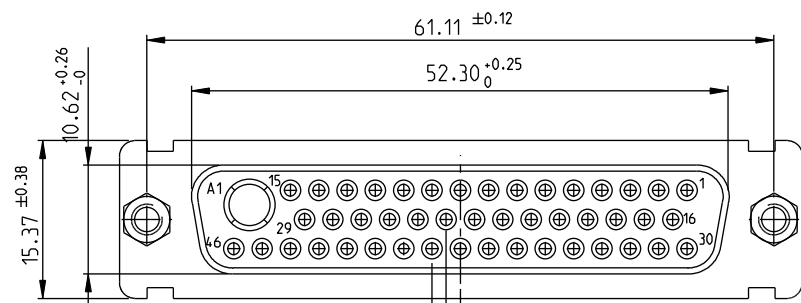
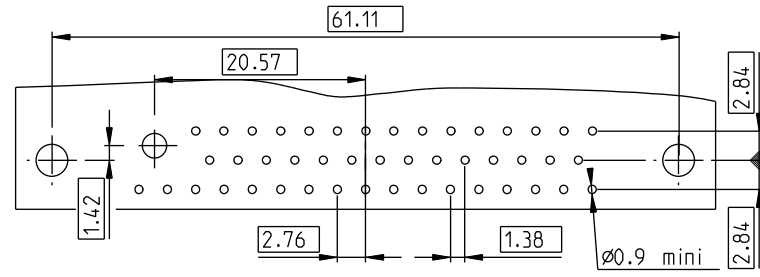


Floating signal contacts

47W1

LAYOUT AND CONNECTOR DIMENSIONS

For PCB hole diameters see table 1 sheet 1



Copyright FCI.



www.fciconnect.com		Surface ISO 1302	tolerance std ISO 406 ISO 1101	projection mm	
		TOLERANCES UNLESS OTHERWISE SPECIFIED			
Dr	M PESSON	2005-10-11	0.x ±0.3	size	A2
Eng	P LEGARE	2005-10-11	ANGULAR	LINEAR	Scale
Chr			0° ±2°	0.xxx ±0.05	ECN
Appr			Product family	- Spec ref	F10-0035
FCI		title SUB SOCKET DW mixed power straight solder		dwg no	C01-8639-2302
		catalog no		CUSTOMER	sheet 7 of 7



Компания «ЭлектроПласт» предлагает заключение долгосрочных отношений при поставках импортных электронных компонентов на взаимовыгодных условиях!

Наши преимущества:

- Оперативные поставки широкого спектра электронных компонентов отечественного и импортного производства напрямую от производителей и с крупнейших мировых складов;
- Поставка более 17-ти миллионов наименований электронных компонентов;
- Поставка сложных, дефицитных, либо снятых с производства позиций;
- Оперативные сроки поставки под заказ (от 5 рабочих дней);
- Экспресс доставка в любую точку России;
- Техническая поддержка проекта, помощь в подборе аналогов, поставка прототипов;
- Система менеджмента качества сертифицирована по Международному стандарту ISO 9001;
- Лицензия ФСБ на осуществление работ с использованием сведений, составляющих государственную тайну;
- Поставка специализированных компонентов (Xilinx, Altera, Analog Devices, Intersil, Interpoint, Microsemi, Aeroflex, Peregrine, Syfer, Eurofarad, Texas Instrument, Miteq, Cobham, E2V, MA-COM, Hittite, Mini-Circuits, General Dynamics и др.);

Помимо этого, одним из направлений компании «ЭлектроПласт» является направление «Источники питания». Мы предлагаем Вам помощь Конструкторского отдела:

- Подбор оптимального решения, техническое обоснование при выборе компонента;
- Подбор аналогов;
- Консультации по применению компонента;
- Поставка образцов и прототипов;
- Техническая поддержка проекта;
- Защита от снятия компонента с производства.



Как с нами связаться

Телефон: 8 (812) 309 58 32 (многоканальный)

Факс: 8 (812) 320-02-42

Электронная почта: org@eplast1.ru

Адрес: 198099, г. Санкт-Петербург, ул. Калинина, дом 2, корпус 4, литера А.