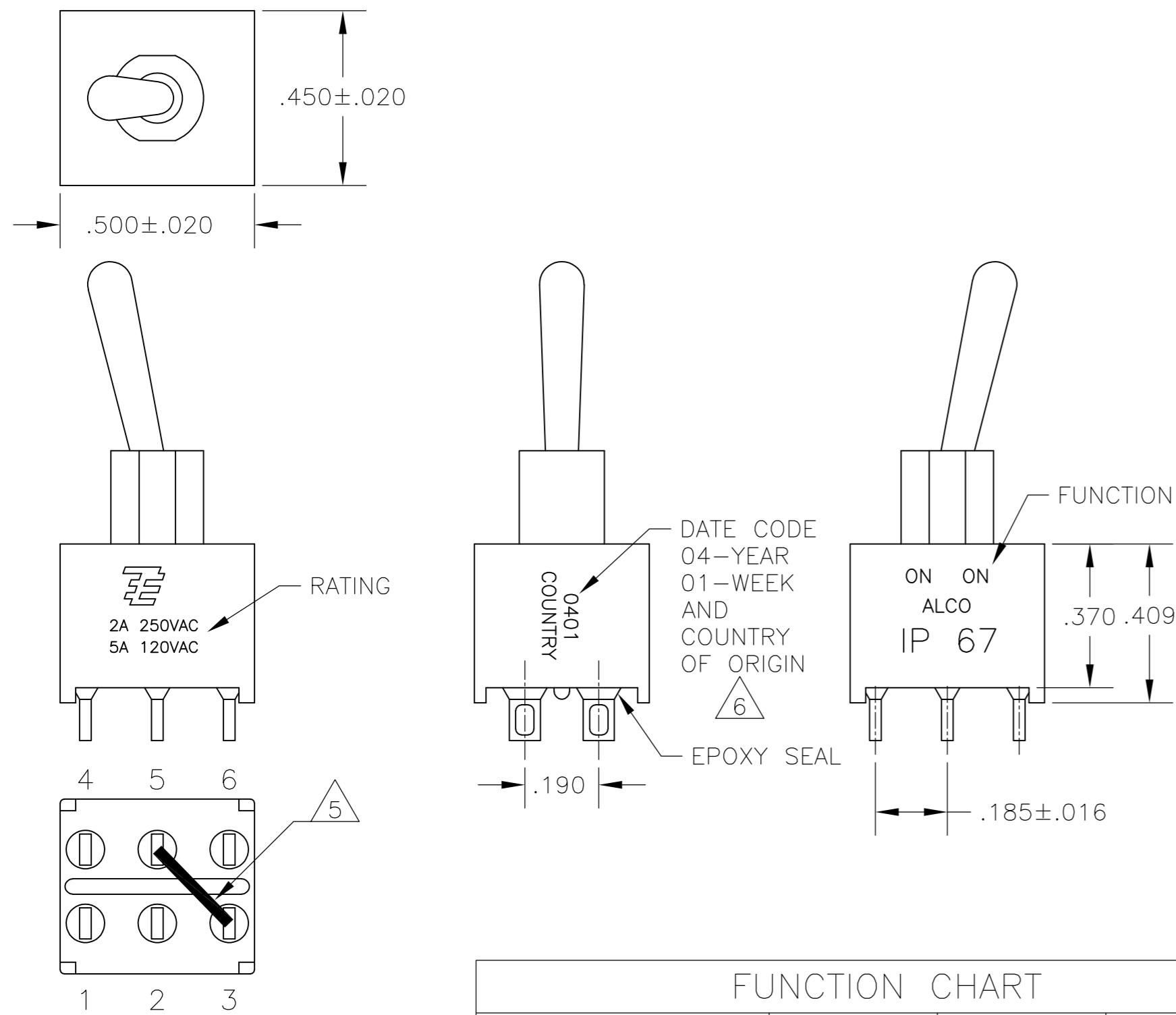


THIS DRAWING IS UNPUBLISHED. RELEASED FOR PUBLICATION  
 © COPYRIGHT - By - ALL RIGHTS RESERVED.

| LOC |     | DIST        |                           | REVISIONS |         |      |     |
|-----|-----|-------------|---------------------------|-----------|---------|------|-----|
| P   | LTR | DESCRIPTION |                           | DATE      | DWN     | APVD |     |
| AD  | 00  | A4          | REVISED PER ECO-11-004917 |           | 11MAR11 | RK   | HMR |



- 1 ALL MATERIALS AND FINISHES SHALL COMPLY WITH EU DIRECTIVE 2002/95/EC OF 27JAN2003 (ROHS).
  - 2 G CONTACT OPTION CAN BE USED FOR SIGNAL OR POWER LEVEL SWITCHING. IF SWITCH IS USED AT LEVELS EXCEEDING .4VA @ 20V AC/DC, SWITCH IS RENDERED FOR POWER SWITCHING ONLY DUE TO ARC REMOVAL OF GOLD PLATING. RATING STAMPED ON SWITCH IS 2A 250VAC, 5A 120 VAC.
  - 3 SWITCHES MEETS REQUIREMENTS OF IP67.
- △5 SP3T FUNCTION ACHIEVED WITH FUNCTIONS 11, 13 & 15 BY CUSTOMER APPLIED JUMPER BETWEEN TERMINALS 3 AND 5.
- △6 DATE CODE AND COUNTRY OF ORIGIN MAY APPEAR ON EITHER SIDE OF SWITCH.

| SPECIFICATIONS CHART            |  |
|---------------------------------|--|
| RATING, B CONTACTS              | .4VA MAX @20V MAX. AC OR DC                                      |
| RATING, G CONTACTS--SEE NOTE 2  | .4VA MAX @20V MAX. AC OR DC OR 5A @120 VAC OR 28 VDC (RESISTIVE) |
|                                 | 2A @250 VAC (RESISTIVE)  |
| RATING, Q CONTACTS              | 5A @120 VAC OR 28 VDC (RESISTIVE)                                |
|                                 | 2A @250 VAC (RESISTIVE)  |
| ELECTRICAL LIFE                 | 6,000 CYCLES AT RATED LOAD                                       |
| CONTACT RESISTANCE              | 10 MILLIOHMS MAX INITIAL @ 2-4VDC, 100ma                         |
| INSULATION RESISTANCE           | 1,000 MEGOHMS MIN  |
| DIELECTRIC WITHSTANDING VOLTAGE | 1,000 V RMS AT SEA LEVEL   |
| OPERATING TEMPRATURE            | -30C TO 85C  |

| FUNCTION CHART   |                         |                         |                         |
|--|-------------------------|-------------------------|-------------------------|
| FUNCTION   | 1 2 3<br>4 5 6          | 1 2 3<br>4 5 6          | 1 2 3<br>4 5 6          |
| 01   | ON                      | NONE                    | ON                      |
| 03   | ON                      | OFF                     | ON                      |
| 05   | (ON)                    | OFF                     | (ON)                    |
| 07   | ON                      | OFF                     | (ON)                    |
| 08   | ON                      | NONE                    | (ON)                    |
| TERMINALS CONNECTED  | 2-3, 5-6                | ---                     | 1-2, 4-5                |
| 11   | ON                      | ON                      | ON                      |
| 13   | ON                      | ON                      | (ON)                    |
| 15   | (ON)                    | ON                      | (ON)                    |
| TERMINALS CONNECTED  | 2-3, 5-6                | 2-3, 4-5                | 1-2, 4-5                |
| SP3T SCHEMATIC (11, 13 & 15 ONLY) SEE NOTE 6   | 6 • 3<br>5 • 2<br>4 • 1 | 6 • 3<br>5 • 2<br>4 • 1 | 6 • 3<br>5 • 2<br>4 • 1 |
|  | IN 2, OUT 6             | IN 2, OUT 4             | IN 2, OUT 1             |
| None: No mechanical position<br>Off: Mechanical position with no electrical connection<br>(On): Momentary action |                         |                         |                         |

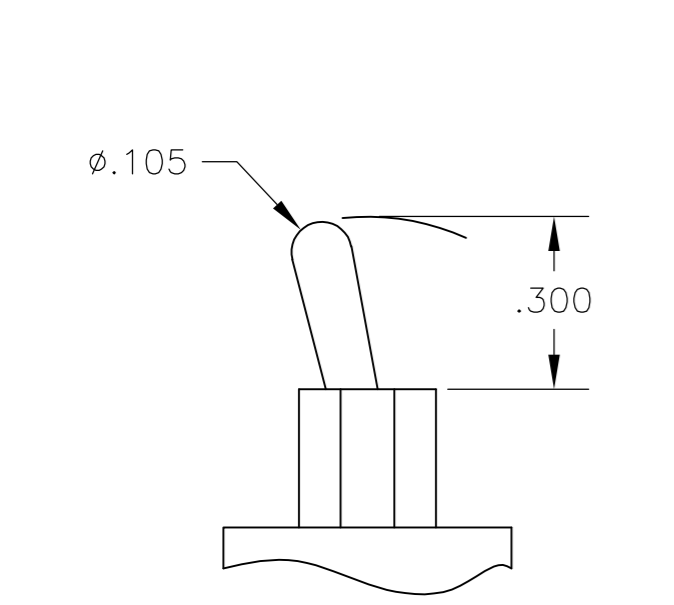
| PART NUMBER SEQUENCE CHART |          |        |         |          |         |      |
|----------------------------|----------|--------|---------|----------|---------|------|
| MODEL                      | FUNCTION | TOGGLE | BUSHING | TERMINAL | CONTACT | RoHS |
| AE2                        | 01       | M      | D1      | A        | B       | 04   |
|                            | 03       | S      |         | AV2      | G       |      |
|                            | 05       |        |         | C        | Q       |      |
|                            | 07       |        |         | V30      |         |      |
|                            | 08       |        |         | V40      |         |      |
|                            | 11       |        |         | W        |         |      |
|                            | 13       |        |         | W4       |         |      |
|                            | 15       |        |         | Z        |         |      |
|                            |          |        |         | Z3       |         |      |

EXAMPLE: AE201MD1AB04

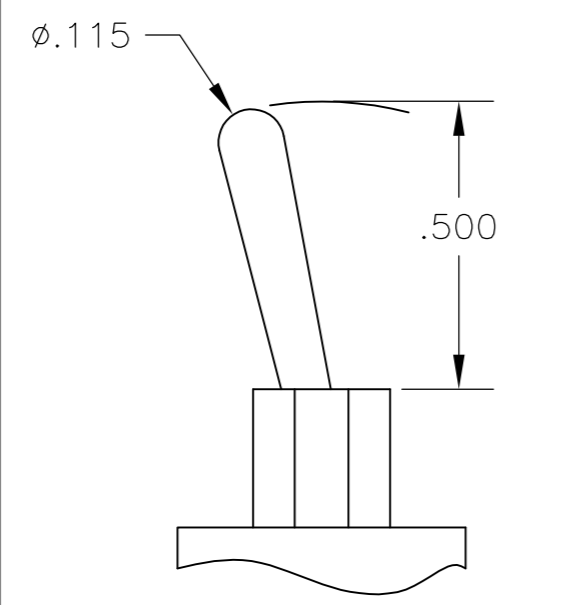
|  |  |                      |  |                 |                      |                 |
|--|--|----------------------|--|-----------------|----------------------|-----------------|
| THIS DRAWING IS A CONTROLLED DOCUMENT. |  | DWN M. ZITTO 23MAY05 | <b>TE</b> TE Connectivity                        |                 |                      |                 |
| DIMENSIONS: INCHES                     |  | CHK M. ZITTO         |  |                 |                      |                 |
| TOLERANCES UNLESS OTHERWISE SPECIFIED: |  | APVD M. ZITTO        | NAME GEMINI AE SERIES TOGGLE SWITCH, DOUBLE POLE |                 |                      |                 |
| 0 PLC ± -                              |  | PRODUCT SPEC         |  |                 |                      |                 |
| 1 PLC ± -                              |  | APPLICATION SPEC     | SIZE A2  | CAGE CODE 00779 | DRAWING NO C=1825143 | RESTRICTED TO - |
| 2 PLC ± -                              |  | WEIGHT -             | SCALE 3:1  | SHEET 1 of 3    | REV A4               |                 |
| 3 PLC ± .010                           |  | CUSTOMER DRAWING     |  |                 |                      |                 |
| 4 PLC ± -                              |  |                      |  |                 |                      |                 |
| ANGLES ± 2°                            |  |                      |  |                 |                      |                 |
| FINISH -                               |  |                      |  |                 |                      |                 |

THIS DRAWING IS UNPUBLISHED. RELEASED FOR PUBLICATION  
 © COPYRIGHT - By - ALL RIGHTS RESERVED.

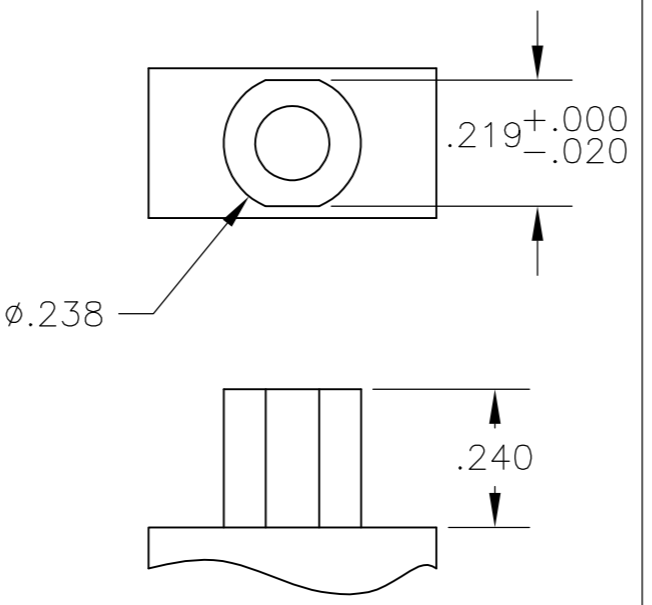
| LOC |    | DIST |     | REVISIONS   |      |     |      |
|-----|----|------|-----|-------------|------|-----|------|
| AD  | 00 | P    | LTR | DESCRIPTION | DATE | DWN | APVD |
|     |    | -    | -   | SEE SHEET 1 | -    | -   | -    |



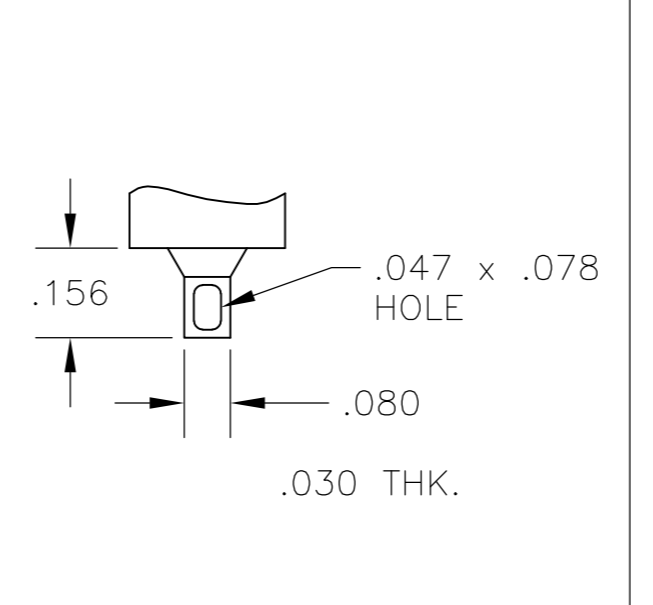
**M** SHORT



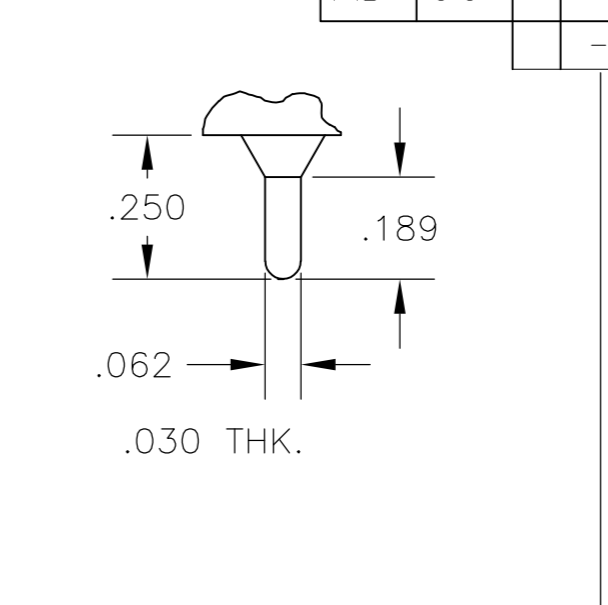
**S** STANDARD



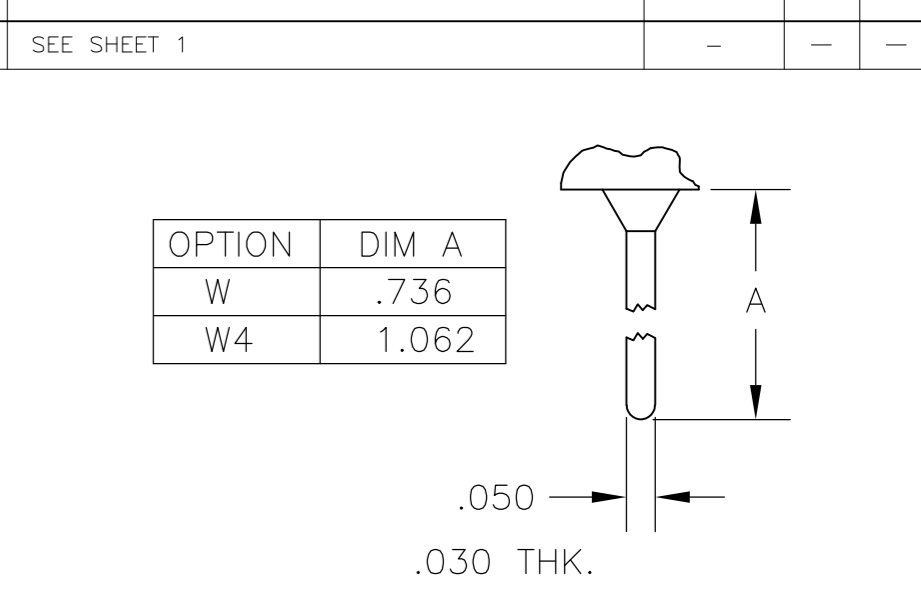
**D1** BUSHING



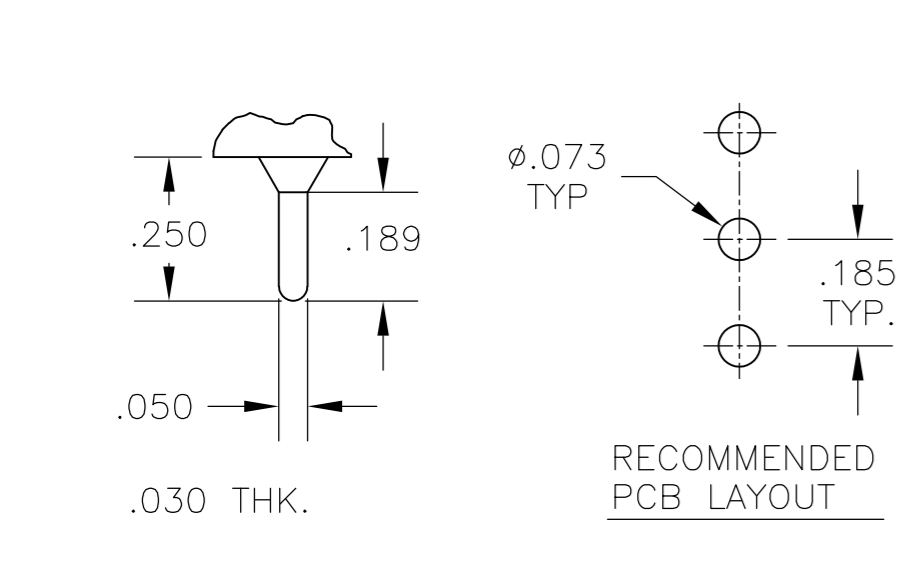
**Z** WIRE LUG



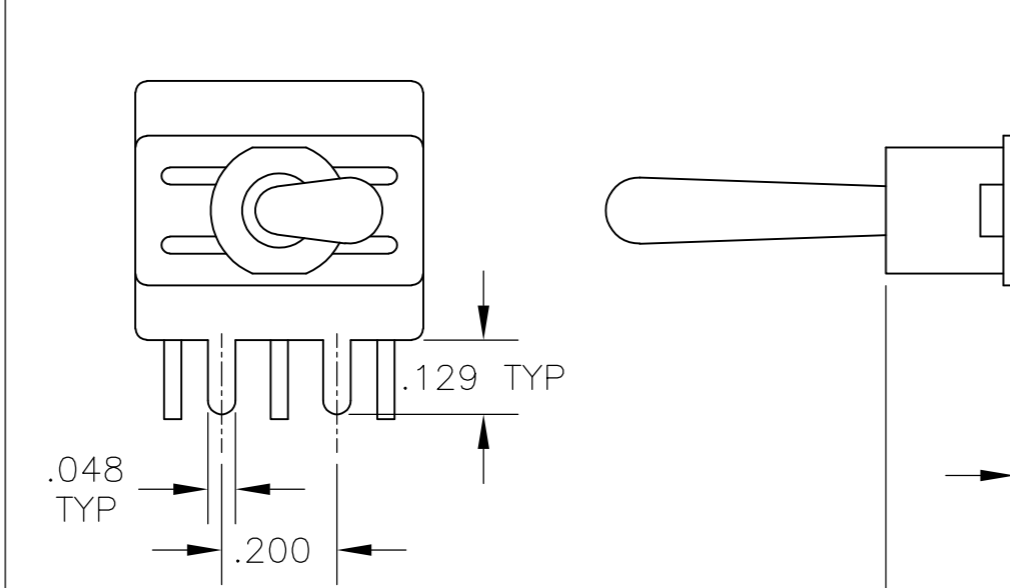
**Z3** QUICK CONNECT



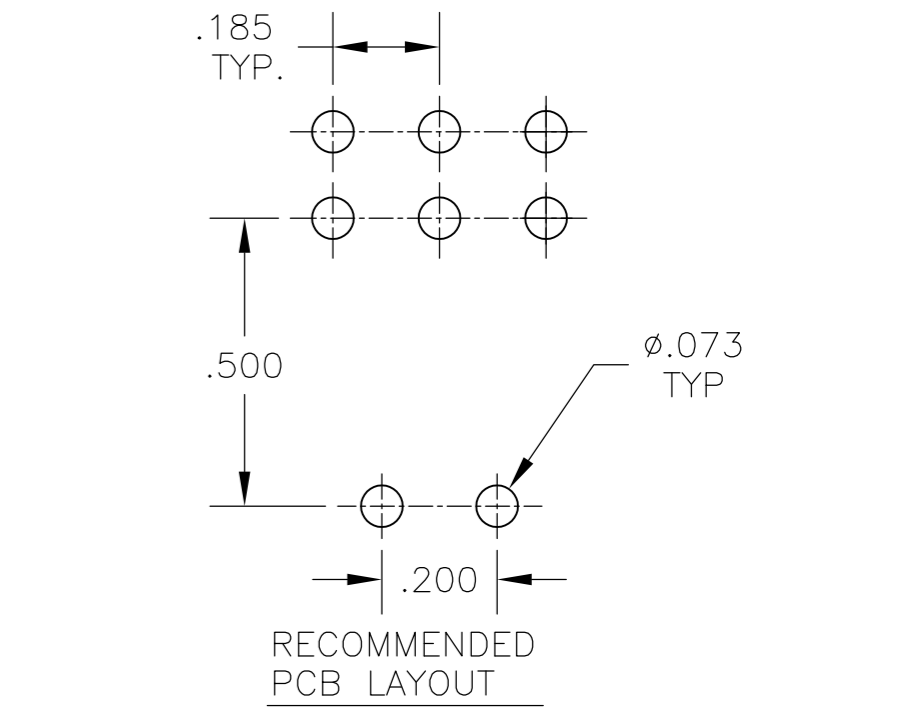
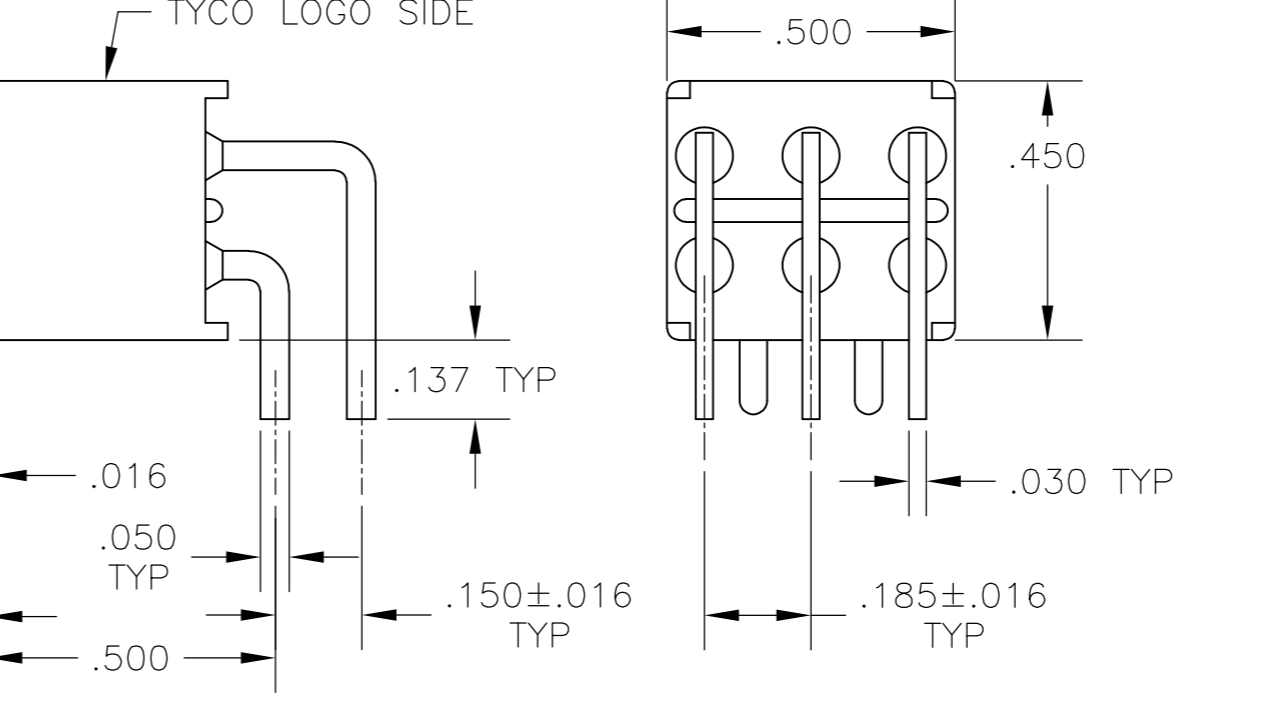
**W** **W4** WIRE WRAP



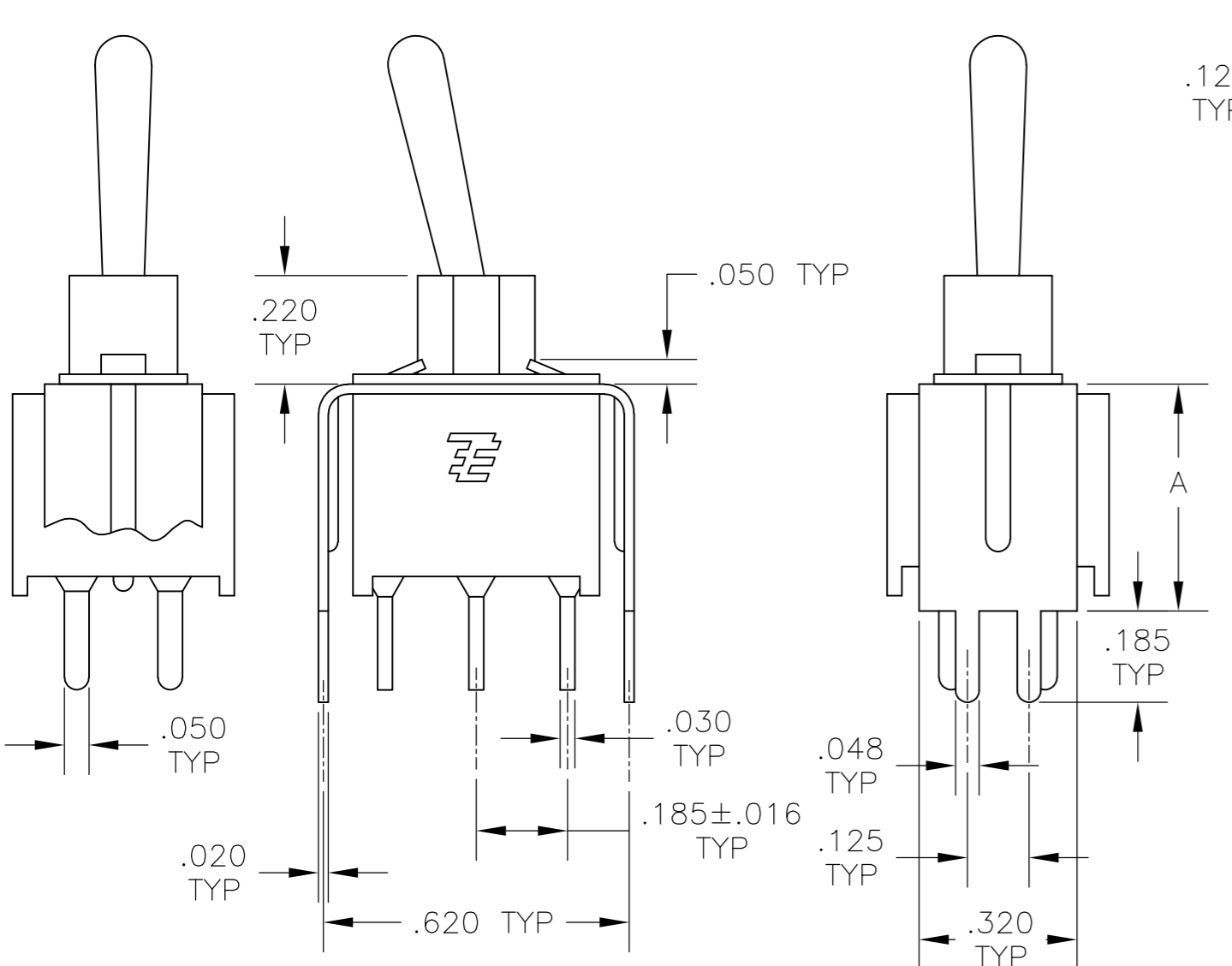
**C** PRINTED CIRCUIT



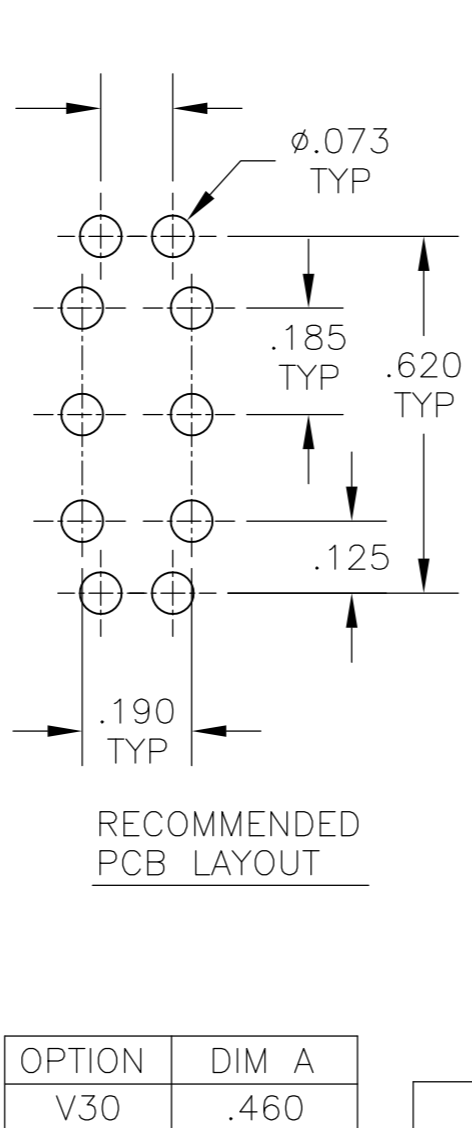
**A** RIGHT ANGLE



RECOMMENDED PCB LAYOUT

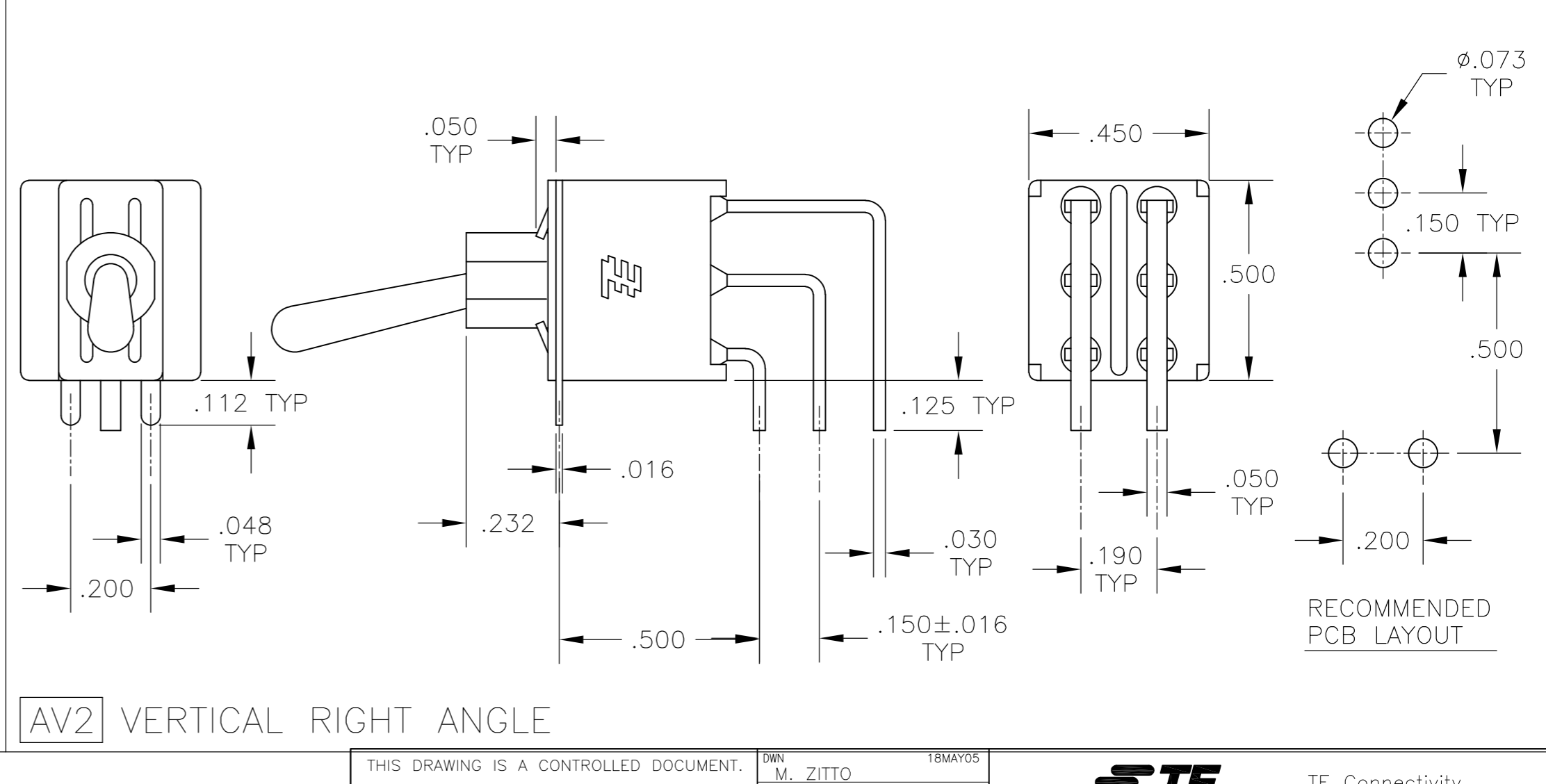


**V30** **V40** VERTICAL SUPPORT BRACKET

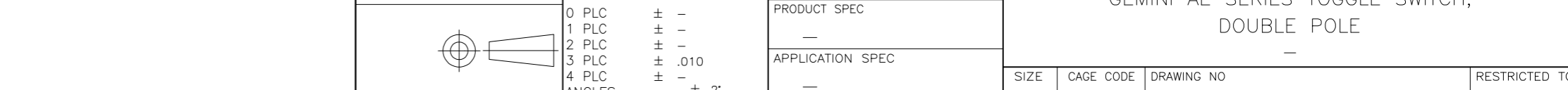


RECOMMENDED PCB LAYOUT

| OPTION | DIM A |
|--------|-------|
| V30    | .460  |
| V40    | .630  |



**AV2** VERTICAL RIGHT ANGLE



RECOMMENDED PCB LAYOUT

THIS DRAWING IS A CONTROLLED DOCUMENT.

|                  |          |         |
|------------------|----------|---------|
| DWN              | M. ZITTO | 18MAY05 |
| CHK              | M. ZITTO | -       |
| APVD             | M. ZITTO | -       |
| PRODUCT SPEC     | -        | -       |
| APPLICATION SPEC | -        | -       |
| WEIGHT           | -        | -       |
| CUSTOMER DRAWING | -        | -       |

|       |     |           |        |            |           |               |   |
|-------|-----|-----------|--------|------------|-----------|---------------|---|
| SIZE  | A2  | CAGE CODE | 00779  | DRAWING NO | C=1825143 | RESTRICTED TO | - |
| SCALE | 3:1 | SHEET     | 2 of 3 | REV        | A4        |               |   |

**TE** TE Connectivity  
 GEMINI AE SERIES TOGGLE SWITCH, DOUBLE POLE


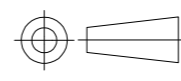
THIS DRAWING IS UNPUBLISHED. RELEASED FOR PUBLICATION  
 © COPYRIGHT - By - ALL RIGHTS RESERVED.

| LOC | DIST | REVISIONS   |      |     |      |
|-----|------|-------------|------|-----|------|
| P   | LTR  | DESCRIPTION | DATE | DWN | APVD |
| AD  | 00   | SEE SHEET 1 | -    | -   | -    |

| Alco P/N       | P/N         |
|----------------|-------------|
| AE201MD1AB04   | 1825143-1   |
| AE201MD1AQ04   | 1825143-2   |
| AE201MD1AV2B04 | 1825143-3   |
| AE201MD1CB04   | 1825143-4   |
| AE201MD1CQ04   | 1825143-5   |
| AE201MD1W4B04  | 1825143-6   |
| AE201SD1AB04   | 1825143-7   |
| AE201SD1AG04   | 1825143-8   |
| AE201SD1AV2B04 | 1825143-9   |
| AE201SD1CB04   | 1-1825143-0 |
| AE201SD1CQ04   | 1-1825143-1 |
| AE201SD1W4B04  | 1-1825143-2 |
| AE203MD1AB04   | 1-1825143-3 |
| AE203MD1AQ04   | 1-1825143-4 |
| AE203MD1AV2B04 | 1-1825143-5 |
| AE203SD1AB04   | 1-1825143-6 |
| AE203SD1AV2B04 | 1-1825143-7 |
| AE203SD1AV2Q04 | 1-1825143-8 |
| AE203SD1CB04   | 1-1825143-9 |
| AE203SD1W4B04  | 2-1825143-0 |
| AE205MD1AV2B04 | 2-1825143-1 |
| AE205SD1CQ04   | 2-1825143-2 |
| not assigned   | 2-1825143-3 |
| AE207MD1AB04   | 2-1825143-4 |
| AE208SD1W4B04  | 2-1825143-5 |
| AE211MD1CB04   | 2-1825143-6 |
| AE211MD1V30B04 | 2-1825143-7 |

| MATERIALS CHART          |                           |                        |
|--------------------------|---------------------------|------------------------|
| COMPONENT NAME           | BASE MATERIAL             | FINISH                 |
| CASE & BUSHING           | NYLON, RED, UL94 V-0      |                        |
| O-RING                   | PVC, BLACK                |                        |
| B TERMINALS & CONTACTS   | COPPER                    | GOLD OVER NICKEL       |
| G TERMINALS & CONTACTS   | COPPER                    | GOLD OVER SILVER       |
| Q TERMINALS & CONTACTS   | COPPER                    | GOLD FLASH OVER SILVER |
| ACTUATOR                 | PHENOLIC, BLACK, UL94 V-1 |                        |
| LEVER                    | BRASS                     | CHROME                 |
| SPRING                   | MUSIC WIRE                |                        |
| PIVOT PIN                | STEEL                     | NICKEL                 |
| LOCK WASHER              | STAINLESS STEEL           |                        |
| LOCKING RING             | STAINLESS STEEL           |                        |
| NUTS                     | BRASS                     | NICKEL                 |
| TERMINAL SEAL            | EPOXY, UL94V-0            |                        |
| MARKING                  | INK, BLACK                |                        |
| SUPPORT BRACKET          | BRASS OR STEEL            | TIN                    |
| SUPPORT BRACKET RETAINER | STAINLESS STEEL           |                        |

1825143

|  |        |                  |         |   |           |
|--|--------|------------------|---------|---|-----------|
| THIS DRAWING IS A CONTROLLED DOCUMENT.   |        | DWN<br>M. ZITTO  | 18MAY05 |  TE Connectivity |           |
| DIMENSIONS:<br>INCHES  |        | CHK<br>M. ZITTO  | -       |   |           |
| TOLERANCES UNLESS OTHERWISE SPECIFIED:   |        | APVD<br>M. ZITTO | -       | NAME<br>GEMINI AE SERIES TOGGLE SWITCH,<br>DOUBLE POLE  |           |
| <br>0 PLC ± -<br>1 PLC ± -<br>2 PLC ± -<br>3 PLC ± .010<br>4 PLC ± -<br>ANGLES ± 2° |        | PRODUCT SPEC     | -       | SIZE  | CAGE CODE |
| MATERIAL   | FINISH | APPLICATION SPEC | -       | A2  | 00779     |
| -  | -      | WEIGHT           | -       | DRAWING NO<br>1825143   |           |
| CUSTOMER DRAWING   |        |                  | SCALE   | 3:1   | SHEET     |
|  |        |                  | 3 OF 3  |   | REV       |
|  |        |                  |         |   | A4        |



Компания «ЭлектроПласт» предлагает заключение долгосрочных отношений при поставках импортных электронных компонентов на взаимовыгодных условиях!

Наши преимущества:

- Оперативные поставки широкого спектра электронных компонентов отечественного и импортного производства напрямую от производителей и с крупнейших мировых складов;
- Поставка более 17-ти миллионов наименований электронных компонентов;
- Поставка сложных, дефицитных, либо снятых с производства позиций;
- Оперативные сроки поставки под заказ (от 5 рабочих дней);
- Экспресс доставка в любую точку России;
- Техническая поддержка проекта, помощь в подборе аналогов, поставка прототипов;
- Система менеджмента качества сертифицирована по Международному стандарту ISO 9001;
- Лицензия ФСБ на осуществление работ с использованием сведений, составляющих государственную тайну;
- Поставка специализированных компонентов (Xilinx, Altera, Analog Devices, Intersil, Interpoint, Microsemi, Aeroflex, Peregrine, Syfer, Eurofarad, Texas Instrument, Miteq, Cobham, E2V, MA-COM, Hittite, Mini-Circuits, General Dynamics и др.);

Помимо этого, одним из направлений компании «ЭлектроПласт» является направление «Источники питания». Мы предлагаем Вам помощь Конструкторского отдела:

- Подбор оптимального решения, техническое обоснование при выборе компонента;
- Подбор аналогов;
- Консультации по применению компонента;
- Поставка образцов и прототипов;
- Техническая поддержка проекта;
- Защита от снятия компонента с производства.



#### Как с нами связаться

**Телефон:** 8 (812) 309 58 32 (многоканальный)

**Факс:** 8 (812) 320-02-42

**Электронная почта:** [org@eplast1.ru](mailto:org@eplast1.ru)

**Адрес:** 198099, г. Санкт-Петербург, ул. Калинина, дом 2, корпус 4, литера А.