

## Features

- DSP with Voice Hardware Accelerators
- Dual  $\Delta\Sigma$  DACs with output sampling up to 48 kHz and internal output drivers
  - 4 single-ended or 2 differential Output Amps
- 44.1/48 kHz Stereo Music Playback with Voice
- Two Digital Microphone inputs supporting up to 3 Microphones
- Two TDM ports shared between PCM and Inter-IC Sound (I<sup>2</sup>S)
  - Each port provides sample rate conversion and synchronous and asynchronous TDM bus operation
- SPI Slave port for host processor interface
- Master SPI port for serial Flash interface
- 14 General Purpose Input/Output (GPIO) pins
  - Keypad Scanner (up to a 7x7 array)
- General purpose UART port
- Boots from SPI, UART, or Flash allowing easy firmware updates
  - Can run unattended (controllerless), self-booting into a configured operational state
- Ultra-low and Standby off power
- Full duplex operation supports AEC (up to 256 ms) in both Narrowband and Wideband operation (8 kHz or 16 kHz respectively)
- Psychoacoustic noise reduction
  - Single microphone
  - Stationary noise reduction
- AGC/ALC
- Dynamic Range Compression
- Built-in support for G.712 and G.722
- Single and Dual Tone Generation
- CID Type 1 and 2 Detection
- DTMF Detection
- Call Progress Tone Detection
- G.168 and G.169 compliant Line Echo Cancellation (LEC)
- *MiTuner™* GUI Software
  - Automated AEC tuning

Document ID# 147016

Version 5

May 2014

### Ordering Information

Device OPN <sup>(1)</sup>	Package	Packing
ZL38040LDF1	64-pin QFN (9x9)	Tape & Reel
ZL38040LDG1	64-pin QFN (9x9)	Tray

1. *The Green package meets RoHS 2 Directive 2011/65/EU of the European Council to minimize the environmental impact of electrical equipment.*

## Applications

- Wideband Speakerphone
- Home Automation

## Description

The Microsemi *AcuEdge* Technology ZL38040 *Advanced Wideband Audio Processor* is designed to provide leading edge acoustic echo cancellation and noise reduction for the Wideband Speakerphone and Home Automation markets.

The ZL38040 device is a highly adaptable hardware platform designed to support high performance audio processing applications. The ZL38040 provides a powerful DSP with voice specific hardware accelerators, two digital microphone interfaces, two independent 16-bit DACs, and two flexible TDM interfaces in a single 64-pin QFN package.

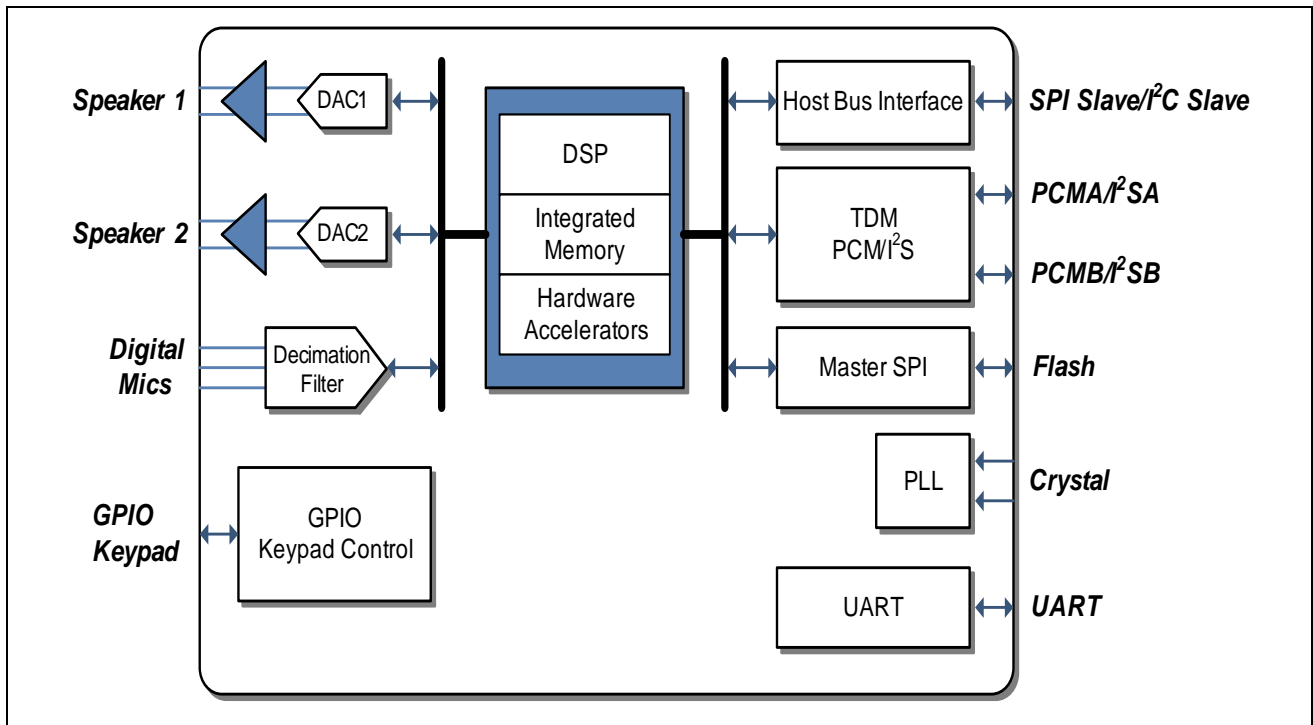
The Microsemi *AcuEdge* Technology ZL38040 license-free Firmware provides Acoustic Echo Cancellation (AEC), noise reduction and a variety of other voice enhancements to improve both the intelligibility and subjective quality of voice in harsh acoustic environments.

## Performance

- AEC Tail Length: 256 ms
- AEC sampling rate: 8 and 16 kHz
- Single Talk TCLw: > 60 dB
- Double Talk TCLw: > 40 dB
- Double Talk Attenuation: < 3 dB
- Noise reduction up to 30 dB

## Voice Processing Series Solution Overview

Designed for world-class high definition voice applications, Microsemi's new ZL380 series of audio processors features the company's Microsemi *AcuEdge™* Technology. This innovative technology is a set of highly-complex and integrated algorithms that allows the user to extract more information from the audio environment. The new Microsemi *AcuEdge* Technology consists of license-free, royalty-free intelligent audio IP algorithms. When combined with Microsemi's highly-integrated ZL380 series of audio processors, the solution accelerates customers' time-to-market via validated reference design and easy-to-use development tools including the Microsemi Audio Interface Box (AIB) Kit which utilizes the *MiTuner™* GUI software.



**ZL38040 Block Diagram**

The ZL38040 Advanced Wideband Audio Processor provides the following enhanced voice processing feature set.

**Microsemi ZL38040 Hardware**

- Host Interface: SPI, UART, I<sup>2</sup>C
- Standalone (controllerless) auto-boot from Flash
- Two clock independent TDM ports (PCM or I<sup>2</sup>S)
- 14 GPIOs, configurable with built-in control features
- Crystal-less operation (with a valid TDM clock)
- Two digital microphone interfaces supporting three digital microphones
- Dual 16-bit digital-to-analog converters (DACs)
  - Headphone amps capable of four single-ended or two differential outputs
  - Two independent headphone drivers
  - 32 mW output drive power into 16 ohms
  - Impulse pop/click protection

**Microsemi *AcuEdge*<sup>™</sup> Technology ZLS38040 Firmware**

- Wideband and Narrowband Acoustic Echo Cancellation
- Initial convergence conditioning
- Psychoacoustic noise reduction
  - Single microphone
  - Stationary noise reduction
- Keypad scanner
- Low active power consumption
- Multi-tone generation
- DTMF detection
- Call Progress Tone detection
- Caller ID Type 1 & 2 detection
- Signal mixing
  - 44.1 kHz/48 kHz music mixed with 8 kHz/16 kHz voice
- Howling detection/cancellation
- Various encoding/decoding options:
  - 16-bit 2's complement (linear)
  - G.711 A/μ law
  - G.722
- Send and receive path equalizers
  - 16-band for Narrowband mode
  - 22-band for Wideband mode
- Comfort noise generation
- 44.1 kHz/48 kHz bypass mode
- Configurable Cross-Point Switch

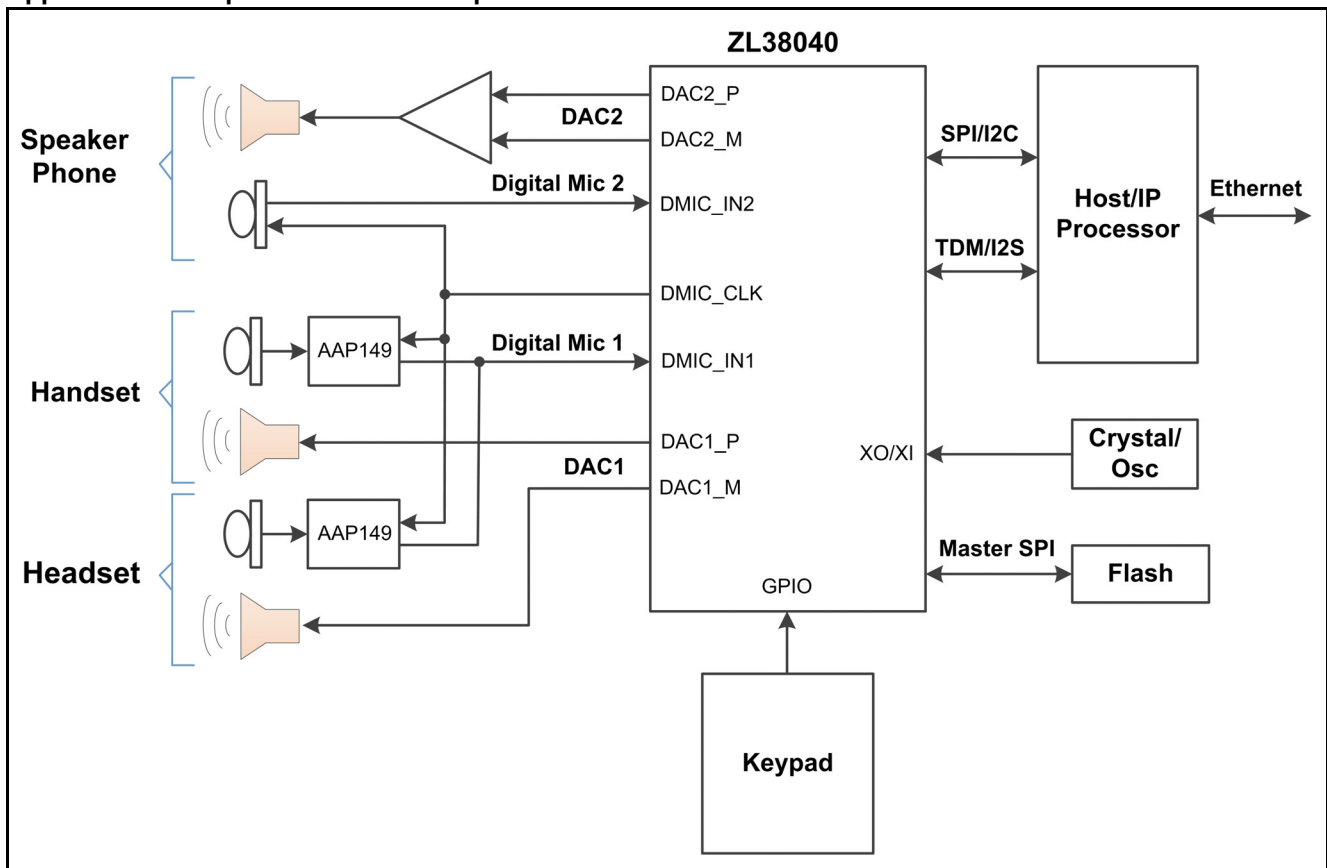
### AEC Auto-Tuning

To optimize the acoustic properties of a given system design, the Audio Processor firmware requires gain and level tuning. The mechanical design, including the speaker and microphone quality and placement, will all affect the system's acoustic performance. Microsemi has developed *MiTuner™* GUI Software (ZLS38508) and the Microsemi Audio Interface Box (AIB) hardware (ZLE38470) to automatically optimize the firmware's tunable parameters for a given hardware design, facilitating the system design process and eliminating the need for tedious manual tuning. The *MiTuner* GUI Software provides step-by-step instructions that allow the software's algorithms to achieve a high level of acoustic performance for a given enclosure.

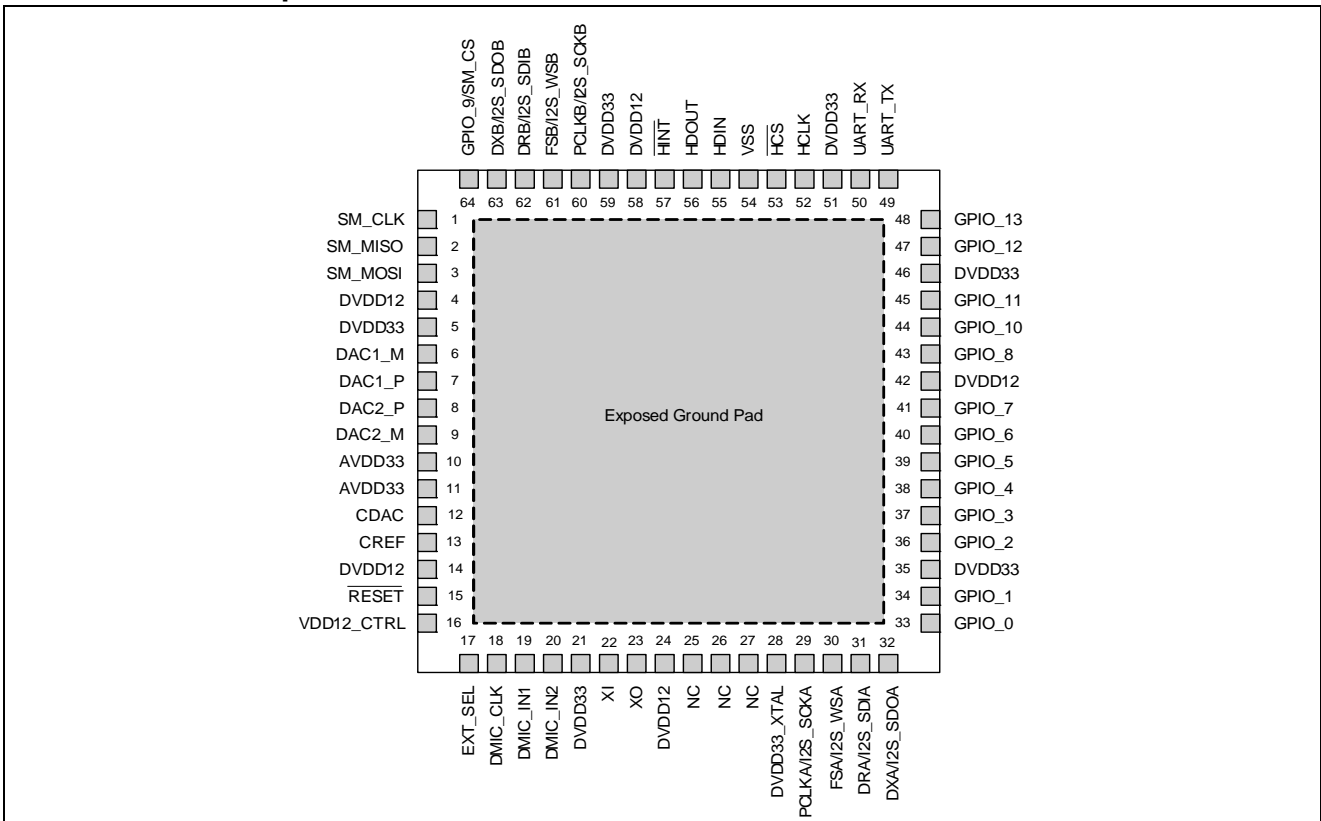
### Highly Configurable for Multiple Applications

- Wideband Telepresence device (shown below)
- Home Automation
- Wideband phone

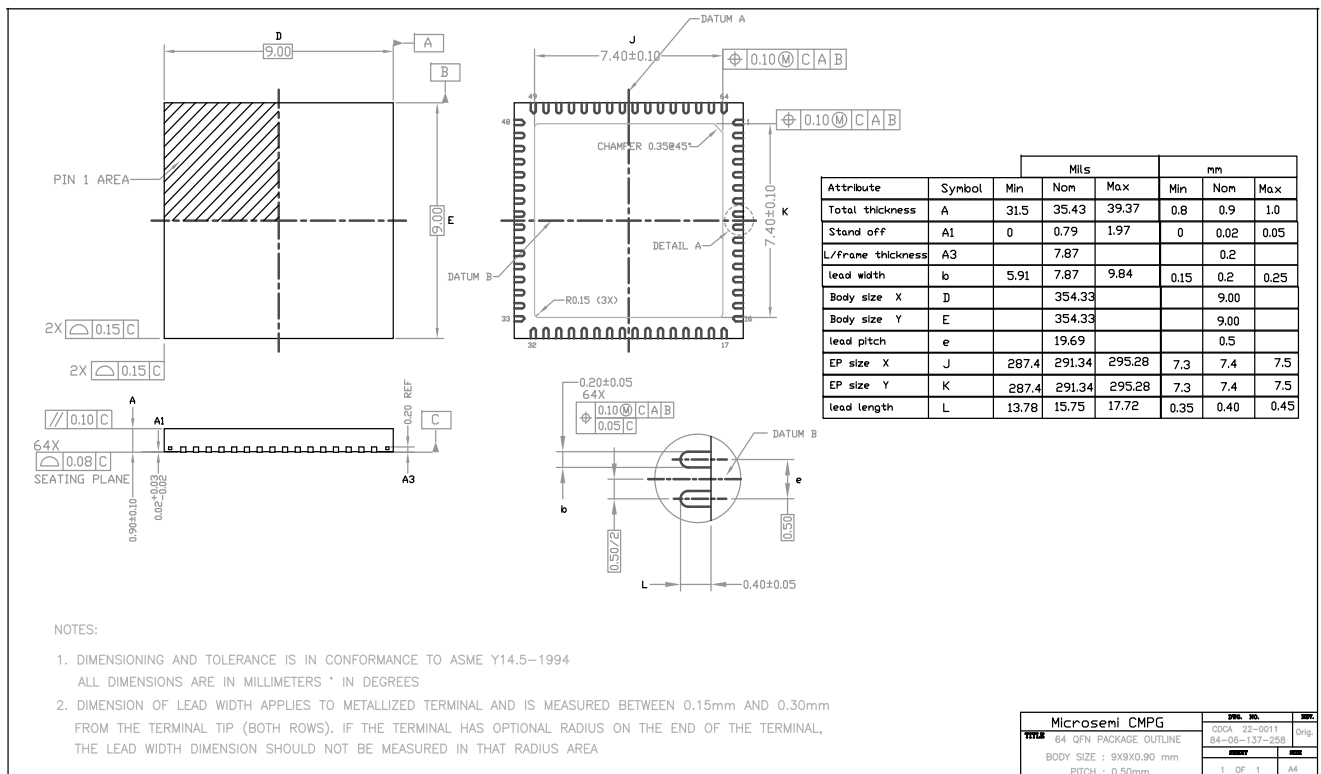
#### Application Example - Wideband Telepresence Unit



### Device Pinout - Top View



### Package Outline (64-Pin QFN)



Information relating to products and services furnished herein by Microsemi Corporation or its subsidiaries (collectively "Microsemi") is believed to be reliable. However, Microsemi assumes no liability for errors that may appear in this publication, or for liability otherwise arising from the application or use of any such information, product or service or for any infringement of patents or other intellectual property rights owned by third parties which may result from such application or use. Neither the supply of such information or purchase of product or service conveys any license, either express or implied, under patents or other intellectual property rights owned by Microsemi or licensed from third parties by Microsemi, whatsoever. Purchasers of products are also hereby notified that the use of product in certain ways or in combination with Microsemi, or non-Microsemi furnished goods or services may infringe patents or other intellectual property rights owned by Microsemi.

This publication is issued to provide information only and (unless agreed by Microsemi in writing) may not be used, applied or reproduced for any purpose nor form part of any order or contract nor to be regarded as a representation relating to the products or services concerned. The products, their specifications, services and other information appearing in this publication are subject to change by Microsemi without notice. No warranty or guarantee express or implied is made regarding the capability, performance or suitability of any product or service. Information concerning possible methods of use is provided as a guide only and does not constitute any guarantee that such methods of use will be satisfactory in a specific piece of equipment. It is the user's responsibility to fully determine the performance and suitability of any equipment using such information and to ensure that any publication or data used is up to date and has not been superseded. Manufacturing does not necessarily include testing of all functions or parameters. These products are not suitable for use in any medical and other products whose failure to perform may result in significant injury or death to the user. All products and materials are sold and services provided subject to Microsemi's conditions of sale which are available on request.

**For more information about all Microsemi products  
visit our website at  
[www.microsemi.com](http://www.microsemi.com)**

TECHNICAL DOCUMENTATION – NOT FOR RESALE



**Microsemi Corporate Headquarters**  
One Enterprise, Aliso Viejo CA 92656 USA  
Within the USA: +1 (949) 380-6100  
Sales: +1 (949) 380-6136  
Fax: +1 (949) 215-4996

Microsemi Corporation (NASDAQ: MSCC) offers a comprehensive portfolio of semiconductor solutions for: aerospace, defense and security; enterprise and communications; and industrial and alternative energy markets. Products include mixed-signal ICs, SoCs, and ASICs; programmable logic solutions; power management products; timing and voice processing devices; RF solutions; discrete components; and systems. Microsemi is headquartered in Aliso Viejo, Calif. Learn more at [www.microsemi.com](http://www.microsemi.com).

© 2014 Microsemi Corporation. All rights reserved. Microsemi and the Microsemi logo are trademarks of Microsemi Corporation. All other trademarks and service marks are the property of their respective owners.



Компания «ЭлектроПласт» предлагает заключение долгосрочных отношений при поставках импортных электронных компонентов на взаимовыгодных условиях!

Наши преимущества:

- Оперативные поставки широкого спектра электронных компонентов отечественного и импортного производства напрямую от производителей и с крупнейших мировых складов;
- Поставка более 17-ти миллионов наименований электронных компонентов;
- Поставка сложных, дефицитных, либо снятых с производства позиций;
- Оперативные сроки поставки под заказ (от 5 рабочих дней);
- Экспресс доставка в любую точку России;
- Техническая поддержка проекта, помощь в подборе аналогов, поставка прототипов;
- Система менеджмента качества сертифицирована по Международному стандарту ISO 9001;
- Лицензия ФСБ на осуществление работ с использованием сведений, составляющих государственную тайну;
- Поставка специализированных компонентов (Xilinx, Altera, Analog Devices, Intersil, Interpoint, Microsemi, Aeroflex, Peregrine, Syfer, Eurofarad, Texas Instrument, Miteq, Cobham, E2V, MA-COM, Hittite, Mini-Circuits, General Dynamics и др.);

Помимо этого, одним из направлений компании «ЭлектроПласт» является направление «Источники питания». Мы предлагаем Вам помощь Конструкторского отдела:

- Подбор оптимального решения, техническое обоснование при выборе компонента;
- Подбор аналогов;
- Консультации по применению компонента;
- Поставка образцов и прототипов;
- Техническая поддержка проекта;
- Защита от снятия компонента с производства.



#### Как с нами связаться

**Телефон:** 8 (812) 309 58 32 (многоканальный)

**Факс:** 8 (812) 320-02-42

**Электронная почта:** [org@eplast1.ru](mailto:org@eplast1.ru)

**Адрес:** 198099, г. Санкт-Петербург, ул. Калинина, дом 2, корпус 4, литера А.