

SUCOFLEX 500

Twist and bend it as you wish

Plug,
test,
smile.



When it comes to test and measurement, SUCOFLEX® 526V and SUCOFLEX® 526S assemblies guarantee the highest level of satisfaction. Thanks to their unique cable and connector design, they deliver best-in-class phase and amplitude stability with flexure, movement, temperature and tensile stress in combination with outstanding return and insertion loss up to 26.5 GHz.

Sucoflex 526 product comparison



| | Sucoflex_526V | Sucoflex_526S |
|-------------------------------------------------------------------------------------------------|------------------------------------------------------------------------------------------------------------------------------------------------------------------------------------------|-----------------------------------------------------------------------|
| Applications | Vector network analysers (VNAs) Critical laboratory conditions | Bench top testing, RF production testing, Automated test equipment |
| Features and benefits | Best-in-class phase and amplitude stability with flexure, movement, temperature and tensile stress | Excellent return- and insertion loss |
| | Excellent return loss | Phase and amplitude stability with flexure and movement |
| | Extremely flexible and ease of handling | Abrasion, moisture and dust resistance |
| | Torque, crush and kink resistance Robust and precise center positioning of 3.5 mm center conductors | |
| | Precise and repeatable measurements | |
| | Long service life Reduce total cost of test with durable, reliable performance Increased test efficiency and measurement saving costs due to reduced calibration intervals | |
| Diameter | 13 mm | 7.7 mm |
| Min. bending radius | 50 mm | 25.4 mm |
| Available connectors | PC 3.5 | PC 3.5, SMA, N |
| Crush resistance | 80 kN/m | 26 kN/m |
| Typ. flex cycles | 100.000 2.0 Mio. for slight movements | 100.000 |
| Operating temperature | laboratory conditions, analyzer specific (+15 to +30 °C) | -55 to +125°C |
| RoHS, REACH | Compliant | Compliant |
| Operating frequency | up to 26.5 GHz | up to 26.5 GHz |
| Velocity of propagation | 80 % | 77 % |
| Return loss | typ. 25 dB min. 20 dB | typ. 25.0 dB min. 19 dB |
| Insertion loss (25 / 38 / 48 in) @ 26.5 GHz | max. 2.5 / 3.6 / 4.4 dB | typ. 1.63 dB/m incl. connectors max 1.77 dB/m incl. connectors |
| Screening effectiveness | > 90 dB | > 90 dB |
| Amplitude stab. vs. movement | max. 0.05 dB | max. ± 0.05 dB |
| Amplitude stab. vs. flexure | max. 0.08 dB | max. ± 0.05 dB |
| Phase stability vs. flexure (25 / 38 / 48 in) | max. 3.9 / 7.4 / 10° | typ. ± 3.0° |
| Phase stab. vs. tensile stress | max. 0.1°/GHz 100 N up to 26.5 GHz | N/A |
| Phase stab. vs. temperature | typ. 50 ppm +15 °C to +30 °C, 26.5 GHz | typ. 1500 ppm -55°C to + 125°C |
| Phase matched assemblies available | No | Yes, upon request |
| New optimised PC3.5 interface supports S-parameter measurements with the highest accuracy | Yes | Yes |
| Stock assemblies available | Yes | Yes |

SUCOFLEX® 526V



The only VNA microwave cable worldwide with a typical 50 ppm phase variation vs. temperature between +15 and +30 °C only. No "PTFE phase knee" at +19 °C as on conventional VNA test cable assemblies which cause phase variations and unstable measurements in critical laboratory conditions.

Available connectors

| Product configuration | 85069744 | 85081169 | 85070046 | 85081172 | 85070047 | 85081177 |
|-----------------------|-----------------------------------|-------------------------|-----------------------------------|-------------------------|-----------------------------------|-------------------------|
| Cable type | SUCOFLEX 526V | | | | | |
| Length | 25" (635 mm) | 25" (635 mm) | 38" (965 mm) | 38" (695 mm) | 48" (1219 mm) | 48" (1219 mm) |
| Connector A | 3.5 mm ruggedised PORT female | | | | | |
| Connector B | 3.5 mm ruggedised DUT male (35VM) | 3.5 mm DUT female (35F) | 3.5 mm ruggedised DUT male (35VM) | 3.5 mm DUT female (35F) | 3.5 mm ruggedised DUT male (35VM) | 3.5 mm DUT female (35F) |

| Mechanical data | |
|------------------|----------------|
| Diameter | 13 mm |
| Min. bending | 50 mm |
| Crush resistance | 80 kN/m |
| Flex life | 100 000 cycles |

| Environmental data | |
|-----------------------|----------------------------------------------------------|
| Operating temperature | laboratory conditions, analyser specific (+15 to +30 °C) |
| RoHS, REACH | compliant |

| Electrical data | | | |
|------------------------------------|-----------------------------|-------------|-------------|
| Impedance | 50 Ω | | |
| Operating frequency | up to 26.5 GHz | | |
| Velocity of propagation | 80 % | | |
| Time delay | 4.15 ns/m | | |
| Return loss | min. 20 dB | | |
| Insertion loss | max. 2.5 dB | max. 3.6 dB | max. 4.4 dB |
| Screening effectiveness | > 90 dB | | |
| Amplitude stability vs. movement | max. 0.05 dB | | |
| Amplitude stability vs. flexure | max. 0.08 dB | | |
| Phase stability vs. flexure | max. 3.9° | max. 7.4° | max. 10° |
| Phase stability vs. tensile stress | max. 0.1°/GHz (100 N) | | |
| Phase stability vs. temperature | typ. 50 ppm (+15 to +30 °C) | | |

Ordering information

| Item no. | Description |
|----------|-----------------------|
| 85069744 | SF526V/35VF/35VM/25in |
| 85081169 | SF526V/35VF/35F/25in |
| 85070046 | SF526V/35VF/35VM/38in |
| 85081172 | SF526V/35VF/35F/38in |
| 85070047 | SF526V/35VF/35VM/48in |
| 85081177 | SF526V/35VF/35F/48in |

SUCOFLEX® 526V

Phase shift vs. temperature (+15°C to +30°C)

| Assembly length (in (mm)) | Frequency (GHz)* | SUCOFLEX 526V | Conventional VNA test lead |
|---------------------------|------------------|---------------|----------------------------|
| 25 (635) | 18 | 0.9 | 11.4 |
| 25 (635) | 26.5 | 1.3 | 16.7 |

*Other frequencies on request

Phase stability vs. temperature performance



Phase stability vs. flexure



Insertion Loss



Loss stability vs. flexure



Return Loss SUCOFLEX 526V with two straight PC3.5 connectors



Connector configuration

35 VF (3.5 mm ruggedized PORT female)



35 VM (3.5 mm ruggedized DUT male)



35F (3.5mm DUT female)



SUCOFLEX® 526S



The SUCOFLEX 526S is the top performance cable assembly for various applications in test laboratories. When it comes to test and measurement, SUCOFLEX 526S assemblies guarantee the highest level of satisfaction. Thanks to their unique cable and connector design, they deliver best-in-class phase and amplitude stability with flexure in combination with outstanding return and insertion loss up to 26.5 GHz.

Cable Construction



| Mechanical data | |
|----------------------------------|-----------------------------------------------------------------|
| Diameter | 7.7 mm |
| Min. bending | 25.4 mm |
| Crush resistance | 26 kN/m |
| Flex life | 100 000 cycles |
| Environmental data | |
| Operating temperature | -55 to +125 °C |
| RoHS, REACH | compliant |
| Electrical data | |
| Impedance | 50 Ω |
| Operating frequency | up to 26.5 GHz |
| Velocity of propagation | 77 % |
| Time delay | 4.15 ns/m |
| Return loss | min. 19 dB |
| Insertion loss | typ. 1.63 dB/m incl. connectors, max 1.77 dB/m incl. connectors |
| Screening effectiveness | > 90 dB |
| Amplitude stability vs. movement | max. ± 0.05 dB |
| Amplitude stability vs. flexure | max. ± 0.05 dB |
| Phase stability vs. flexure | typ. ± 3° |
| Phase stability vs. temperature | typically 1500 ppm (-55 to +125 °C) |

Ordering information

| Item no. | Stock assembly type | |
|----------|-----------------------------|--------------------------|
| 85090623 | SF526S/11PC35/11PC35/500mm | PC3.5 male/ PC3.5 male |
| 85088164 | SF526S/11PC35/11PC35/36inch | PC3.5 male/ PC3.5 male |
| 85090624 | SF526S/11PC35/11PC35/1000mm | PC3.5 male/ PC3.5 male |
| 85090625 | SF526S/11PC35/11PC35/2000mm | PC3.5 male/ PC3.5 male |
| 85090626 | SF526S/11PC35/11PC35/3000mm | PC3.5 male/ PC3.5 male |
| 85090629 | SF526S/11PC35/21PC35/36inch | PC3.5 male/ PC3.5 female |
| 85091104 | SF526S/11PC35/21PC35/48inch | PC3.5 male/ PC3.5 female |
| 85089172 | SF526S/11N/11N/1000mm | N male/ N male |
| 85089173 | SF526S/11SMA/11SMA/1000mm | SMA male/ SMA male |

SUCOFLEX® 526S

Available connectors

| Connector | Series, pattern | HUBER+SUHNER connector type | Operating frequency (GHz) |
|-----------|---------------------|-----------------------------|---------------------------|
| PC 3.5 | Straight cable plug | 11_PC-3.5 | 26.5 |
| | Straight cable jack | 21_PC-3.5 | |
| N | Straight cable plug | 11_N | 18 |
| | Straight cable jack | 21_N | |
| SMA | Straight cable plug | 11_SMA | 18 |

Phase vs. stability vs flexure



Loss stability vs. flexure



Insertion Loss



Return Loss SUCOFLEX 526S with two straight PC3.5 connectors



Connector configuration

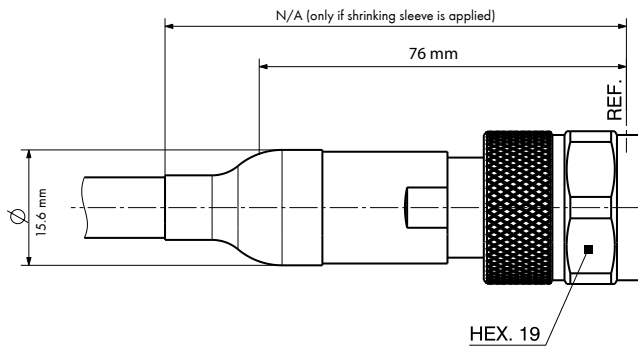
11PC 3.5



21PC 3.5



11N



21N



11SMA





Компания «ЭлектроПласт» предлагает заключение долгосрочных отношений при поставках импортных электронных компонентов на взаимовыгодных условиях!

Наши преимущества:

- Оперативные поставки широкого спектра электронных компонентов отечественного и импортного производства напрямую от производителей и с крупнейших мировых складов;
- Поставка более 17-ти миллионов наименований электронных компонентов;
- Поставка сложных, дефицитных, либо снятых с производства позиций;
- Оперативные сроки поставки под заказ (от 5 рабочих дней);
- Экспресс доставка в любую точку России;
- Техническая поддержка проекта, помощь в подборе аналогов, поставка прототипов;
- Система менеджмента качества сертифицирована по Международному стандарту ISO 9001;
- Лицензия ФСБ на осуществление работ с использованием сведений, составляющих государственную тайну;
- Поставка специализированных компонентов (Xilinx, Altera, Analog Devices, Intersil, Interpoint, Microsemi, Aeroflex, Peregrine, Syfer, Eurofarad, Texas Instrument, Miteq, Cobham, E2V, MA-COM, Hittite, Mini-Circuits, General Dynamics и др.);

Помимо этого, одним из направлений компании «ЭлектроПласт» является направление «Источники питания». Мы предлагаем Вам помощь Конструкторского отдела:

- Подбор оптимального решения, техническое обоснование при выборе компонента;
- Подбор аналогов;
- Консультации по применению компонента;
- Поставка образцов и прототипов;
- Техническая поддержка проекта;
- Защита от снятия компонента с производства.



Как с нами связаться

Телефон: 8 (812) 309 58 32 (многоканальный)

Факс: 8 (812) 320-02-42

Электронная почта: org@eplast1.ru

Адрес: 198099, г. Санкт-Петербург, ул. Калинина, дом 2, корпус 4, литера А.