

3M™ Textool™ .100" (2.54 mm) DIP Sockets

ZIP DIP



- For DIPs with .100" (2.54 mm) lead spacing
- Pin counts for 14-64 leads
- Lever actuated zero insertion force mechanism
- Socket easily disassembles for repairability
- Socket contact point of .110" (2.79 mm) below top surface of socket

Date Modified: September 17, 2012

TS-0365-B
Sheet 1 of 3

Physical

Insulation

Material: Glass Filled Polysulfone

Flammability: UL 94V-0

Color: Green

Marking: 3M Logo & Part Number Identifier

Contact:

Material: Beryllium Copper

Plating: 30 μ" (0.76 μm) Gold over 50 μ" (1.3 μm) Nickel

Electrical

Current Rating: 1 Amp

Insulation Resistance: > 1 ¥ 109 W at 500 Vdc

Withstanding Voltage: 1000 Vrms at Sea Level

Environmental

Operating Temperature Rating: - 55 °C to +125°C

Mechanical

When used as a test socket at room temperature 24°C the socket will last 20,000 actuations.

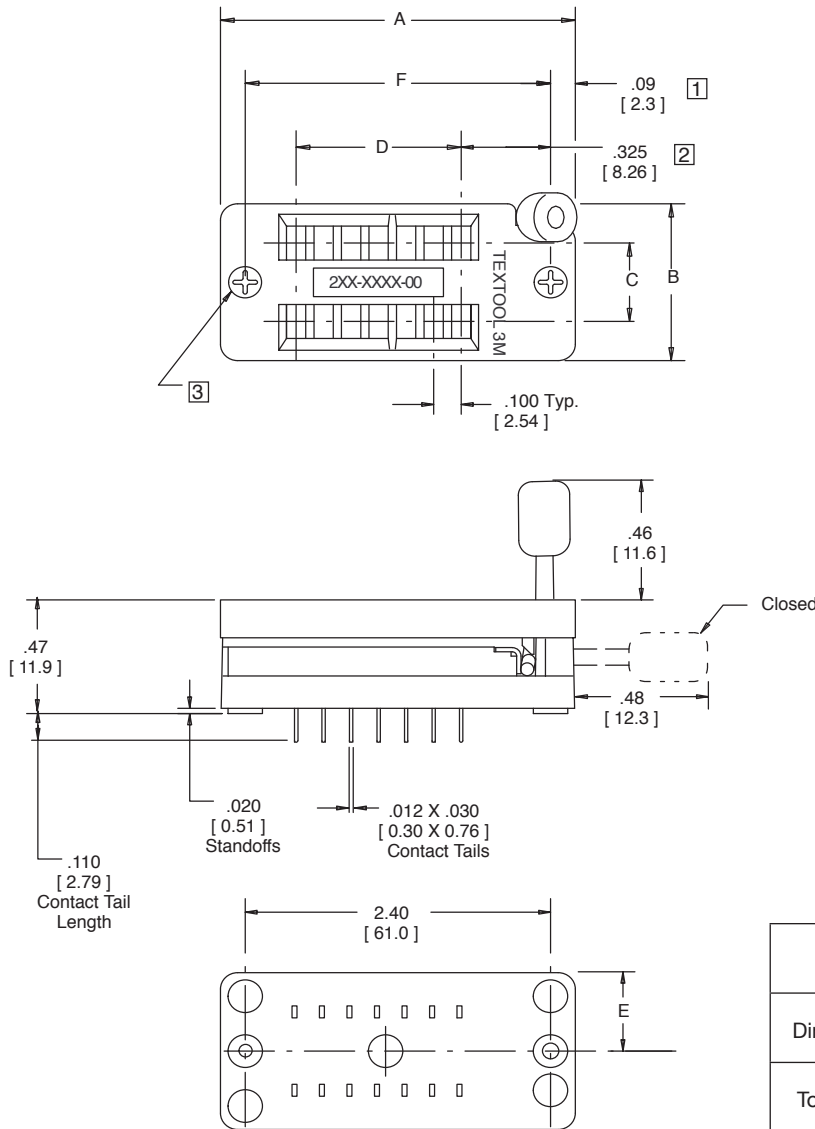
3M

Electronic Solutions Division
Interconnect Solutions
<http://www.3Mconnectors.com>

3M is a trademark of 3M Company.
For technical, sales or ordering information call
800-225-5373

3M™ Textool™ .100" (2.54 mm) DIP Sockets

ZIP DIP



| | Tolerance $\frac{\text{inch}}{\text{mm}}$ | |
|-----------|---|------------------------------|
| Dimension | $\frac{.00}{(.0)}$ | $\frac{.000}{(.00)}$ |
| Tolerance | $\frac{\pm .010}{(\pm .25)}$ | $\frac{\pm .005}{(\pm .13)}$ |

Notes:

- 1 This dimension is .105 [2.67] for the 48 and 64 lead sockets.
- 2 This dimension is .40 [10.2] for the 48 and 64 lead sockets.
- 3 224-1275-00-0602J, 228-1277-00-0602J, 232-1285-00-0602J, 240-1280-00-0602J, 242-1281-00-0602J, and 248-1182-00-0602J have thru holes and no screws.

Ordering Information

See tables on the next page.

3M™ Textool™ .100" (2.54 mm) DIP Sockets

ZIP DIP

| Contact Quantity | Device Row Spacing Accepted | Dim A | Dim B | Dim C | Dim D | Dim E | Dim F |
|------------------|-----------------------------------|-----------------------------------|------------------|-------------------|--------------------|-----------------|------------------|
| 14 | .17 - .43 [4.3] - [10.9] | 1.30 [33.0] | .60 [15.2] | .300 [7.62] | .60 [15.2] | .30 [7.6] | 1.11 [28.2] |
| 16 | .17 - .43 [4.3] - [10.9] | 1.39 [35.3] | | | .70 [17.8] | | 1.21 [30.7] |
| 18 | .17 - .43 [4.3] - [10.9] | 1.49 [37.8] | | | .80 [20.3] | | 1.31 [33.3] |
| 20 | .17 - .43 [4.3] - [10.9] | 1.59 [40.4] | | | .90 [22.9] | | 1.41 [35.8] |
| 22 | .27 - .53 [6.9] - [13.5] | 1.69 [42.9] | .70 [17.8] | .400 [10.16] | 1.00 [25.4] | .35 [8.9] | 1.51 [38.4] |
| 24 | .47 - .73 [11.9] - [18.5] | 1.78 [45.3] | .90 [22.9] | .600 [15.25] | 1.10 [27.9] | .45 [11.4] | 1.61 [40.9] |
| | .17 - .43 [4.3] - [10.9] | 1.79 [45.5] | .60 [15.2] | .300 [7.62] | | .30 [7.6] | |
| 28 | .47 - .73 [11.9] - [18.5] | 1.98 [50.4] | .90 [22.9] | .600 [15.25] | 1.30 [33.0] | .45 [11.4] | 1.81 [46.0] |
| | .27 - .53 [6.9] - [13.5] | 1.99 [50.5] | .70 [17.8] | .400 [10.16] | | .35 [8.9] | 1.83 [46.0] |
| 32 | .47 - .73 [11.9] - [18.5] | 2.19 [55.5] | .90 [22.9] | .600 [15.25] | 1.50 [38.1] | .45 [11.4] | 2.01 [51.1] |
| 40 | .47 - .73 [11.9] - [18.5] | 2.58 [65.6] | | | 1.90 [48.3] | | 2.41 [61.2] |
| | | .87 - 1.13 [22.1] - [28.7] | 2.58 [65.5] | 1.30 [33.0] | 1.000 [25.40] | | .65 [16.5] |
| 42 | .47 - .73 [11.9] - [18.5] | 2.68 [68.2] | .90 [22.9] | .600 [15.25] | 2.0 [50.8] | .45 [11.4] | 2.51 [63.8] |
| 48 | .47 - .73 [11.9] - [18.5] | 2.98 [75.8] | | | 2.30 [58.4] | | 2.81 [71.4] |
| 64 | .77 - 1.03 [19.8] - [26.2] | 3.95 [100.3] | 1.30 [33.0] | .900 [22.86] | 3.10 [78.7] | .65 [16.5] | 3.73 [94.7] |

Ordering Information

| Socket Part Number | Contact Quantity | Distance Between Rows | Mating Receptacle Part Number |
|--------------------|------------------|-----------------------|-------------------------------|
| 214-3339-00-0602J | 14 | .300 [7.62] | 214-3339-XX-0602J |
| 216-3340-00-0602J | 16 | | 216-3340-XX-0602J |
| 218-3341-00-0602J | 18 | | 218-3341-XX-0602J |
| 220-3342-00-0602J | 20 | | 220-3342-XX-0602J |
| 222-3343-00-0602J | 22 | .400 [10.16] | 222-3334-XX-0602J |
| 224-1275-00-0602J | 24 | .600 [15.24] | *224-1275-XX-0602J |
| 224-5248-00-0602J | | .300 [7.62] | 224-5248-XX-0602J |
| 228-1277-00-0602J | 28 | .600 [15.24] | *228-1277-XX-0602J |
| 228-4817-00-0602J | | .400 [10.16] | 228-4817-XX-0602J |
| 232-1285-00-0602J | 32 | .600 [15.24] | *232-1285-XX-0602J |
| 240-1280-00-0602J | 40 | | 240-1280-XX-0602J |
| 240-3639-00-0602J | | | 1.00 [25.4] |
| 242-1281-00-0602J | 42 | .600 [15.24] | *242-1281-XX-0602J |
| 248-1282-00-0602J | 48 | | *248-1282-XX-0602J |
| 264-4493-00-0602J | 64 | .900 [22.86] | 264-4493-XX-0602J |

*Only these P/N's available with -09, -19, -29, and -39 receptacle options. All others only available with -09, and -19 options.

Contact Pattern 

XX = 09 Solder Tail .13 [3.3] w/ flanges = 29 Solder Tail .13 [3.3] w/out flanges
 = 19 Wire Wrap Tail .62 [15.8] w/ flanges = 39 Wire Wrap Tail .62 [15.8] w/out flanges

TS-0365-B
Sheet 3 of 3

3M

Electronic Solutions Division
Interconnect Solutions
<http://www.3Mconnectors.com>

3M is a trademark of 3M Company.
For technical, sales or ordering information call
800-225-5373

Important Notice

All statements, technical information, and recommendations related to 3M's products are based on information believed to be reliable, but the accuracy or completeness is not guaranteed. Before using this product, you must evaluate it and determine if it is suitable for your intended application. You assume all risks and liability associated with such use. Any statements related to the product which are not contained in 3M's current publications, or any contrary statements contained on your purchase order shall have no force or effect unless expressly agreed upon, in writing, by an authorized officer of 3M.

Warranty; Limited Remedy; Limited Liability.

This product will be free from defects in material and manufacture for a period of one (1) year from the time of purchase. **3M MAKES NO OTHER WARRANTIES INCLUDING, BUT NOT LIMITED TO, ANY IMPLIED WARRANTY OF MERCHANTABILITY OR FITNESS FOR A PARTICULAR PURPOSE.** If this product is defective within the warranty period stated above, your exclusive remedy shall be, at 3M's option, to replace or repair the 3M product or refund the purchase price of the 3M product. **Except where prohibited by law, 3M will not be liable for any indirect, special, incidental or consequential loss or damage arising from this 3M product, regardless of the legal theory asserted.**

**3M Electronics Solutions Division**

6801 River Place Blvd.
Austin, TX 78726-9000
U.S.A.
1-800-225-5373
www.3Mconnectors.com

Please recycle. Printed in USA.
© 3M 2012. All rights reserved.
RIA-2217B-E

3M and Textool are trademarks of 3M Company.



Компания «ЭлектроПласт» предлагает заключение долгосрочных отношений при поставках импортных электронных компонентов на взаимовыгодных условиях!

Наши преимущества:

- Оперативные поставки широкого спектра электронных компонентов отечественного и импортного производства напрямую от производителей и с крупнейших мировых складов;
- Поставка более 17-ти миллионов наименований электронных компонентов;
- Поставка сложных, дефицитных, либо снятых с производства позиций;
- Оперативные сроки поставки под заказ (от 5 рабочих дней);
- Экспресс доставка в любую точку России;
- Техническая поддержка проекта, помощь в подборе аналогов, поставка прототипов;
- Система менеджмента качества сертифицирована по Международному стандарту ISO 9001;
- Лицензия ФСБ на осуществление работ с использованием сведений, составляющих государственную тайну;
- Поставка специализированных компонентов (Xilinx, Altera, Analog Devices, Intersil, Interpoint, Microsemi, Aeroflex, Peregrine, Syfer, Eurofarad, Texas Instrument, Miteq, Cobham, E2V, MA-COM, Hittite, Mini-Circuits, General Dynamics и др.);

Помимо этого, одним из направлений компании «ЭлектроПласт» является направление «Источники питания». Мы предлагаем Вам помощь Конструкторского отдела:

- Подбор оптимального решения, техническое обоснование при выборе компонента;
- Подбор аналогов;
- Консультации по применению компонента;
- Поставка образцов и прототипов;
- Техническая поддержка проекта;
- Защита от снятия компонента с производства.



Как с нами связаться

Телефон: 8 (812) 309 58 32 (многоканальный)

Факс: 8 (812) 320-02-42

Электронная почта: org@eplast1.ru

Адрес: 198099, г. Санкт-Петербург, ул. Калинина, дом 2, корпус 4, литера А.