

E-Rated DIN medium voltage fuses, 5.5 to 38 kV, 10 to 450 amps



Catalog symbols:

- 55GDMSJ_E
- 55GFMSJ_E
- 155GXQSJ_E
- 175GDMSJ_E
- 175GFMSJ_E
- 175GXMSJ_E
- 175GXQSJ_E
- 258GDQSJ_E
- 258GXQSJ_E
- 258GXZSJ_E
- 38GFZSJ_E
- 38GCZSJ_E

Description:

Bussmann™ series DIN dimensioned E-Rated medium voltage power fuses with striker for indoor use. Available in general purpose (5.5 to 17.5 kV) and full range (25.8 to 38 kV) versions.

Specifications:

Ratings

- Volts 5.5 - 38 kV
- Amps: 10 - 450
- Interrupting rating: 25 - 65 kA

Agency information

- General purpose E-Rated per ANSI C37.46 (5.5 to 17.5 kV)
- Full range E-Rated per ANSI C37.40 (25.8 to 38 kV)

Striker force

- 50 N (11 Lbs)

Recommended fuseclips

See page 13 for dimensions.

Amp range	Description	Catalog no.
Up to 200 A	Enclosed fuseclip with wingnut tensioner	A33574745*
Up to 200 A	Open fuseclip with spring tensioner	270303

* Not sold in pairs.

Features and benefits

- Cool running for lower watts loss
- 100% X-ray inspected to help assure fuse integrity
- Striker provides visual indication of fuse operation or a means to activate a remote monitoring system

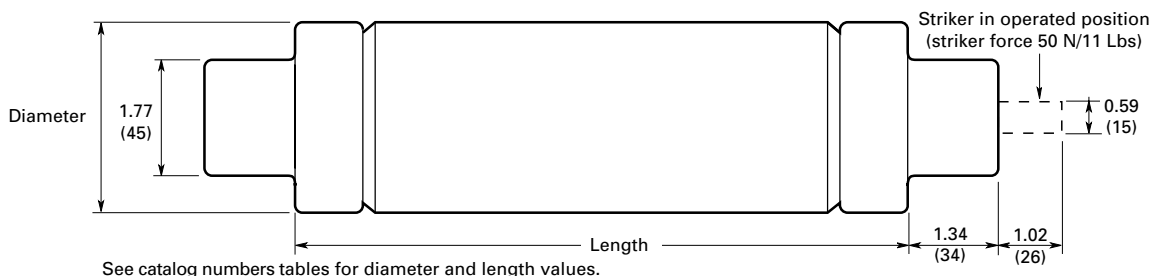
Typical applications

- Primary protection for medium voltage transformers and switch gear
- Protection of medium voltage feeder circuits
- Direct OEM replacement fuses for many popular manufacturers

Catalog numbers — general purpose versions

Catalog numbers	Amps	Interrupting rating (Sym. kA)	Dimensions — in (mm)		
			Length	Diameter	
5.5 kV					
55GDMSJ10E	10	65	17.4 (442)	2 (51)	
55GDMSJ15E	15				
55GDMSJ20E	20				
55GDMSJ25E	25				
55GDMSJ30E	30				
55GDMSJ40E	40		17.4 (442)	3 (76)	
55GDMSJ50E	50				
55GDMSJ65E	65				
55GDMSJ80E	80				
55GDMSJ100E	100				
55GDMSJ125E	125		65	21.1 (537)	3.5 (89)
55GFMSJ150E	150				
55GFMSJ175E	175				
55GFMSJ200E	200				
55GFMSJ250E	250				
55GFMSJ300E	300				
55GFMSJ350E	350				
55GFMSJ400E	400				
55GFMSJ450E	450				
15.5 kV					
155GXQSJ175E	175	65	21.1 (537)	3.5 (89)	
155GXQSJ200E	200				
17.5 kV					
175GDMSJ10E	10	65	17.4 (442)	2 (51)	
175GDMSJ15E	15				
175GDMSJ20E	20				
175GDMSJ25E	25				
175GDMSJ30E	30				
175GFMSJ40E	40		17.4 (442)	3 (76)	
175GFMSJ50E	50				
175GFMSJ65E	65				
175GXMSJ80E	80				
175GXMSJ100E	100				
175GXQSJ125E	125		21.1 (537)	3.5 (89)	
175GXQSJ150E	150				

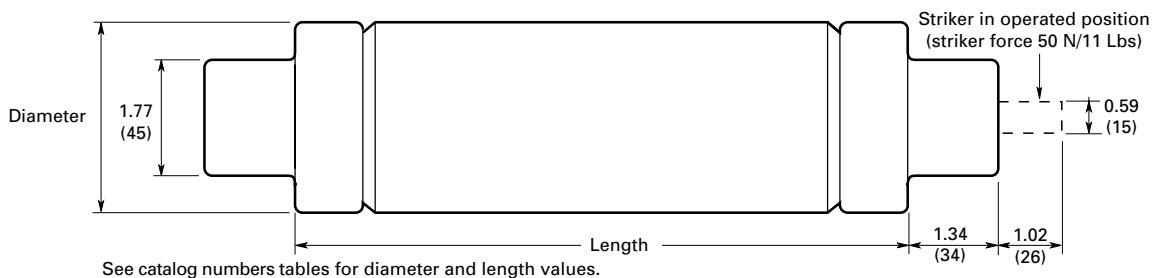
Dimensions — in (mm)



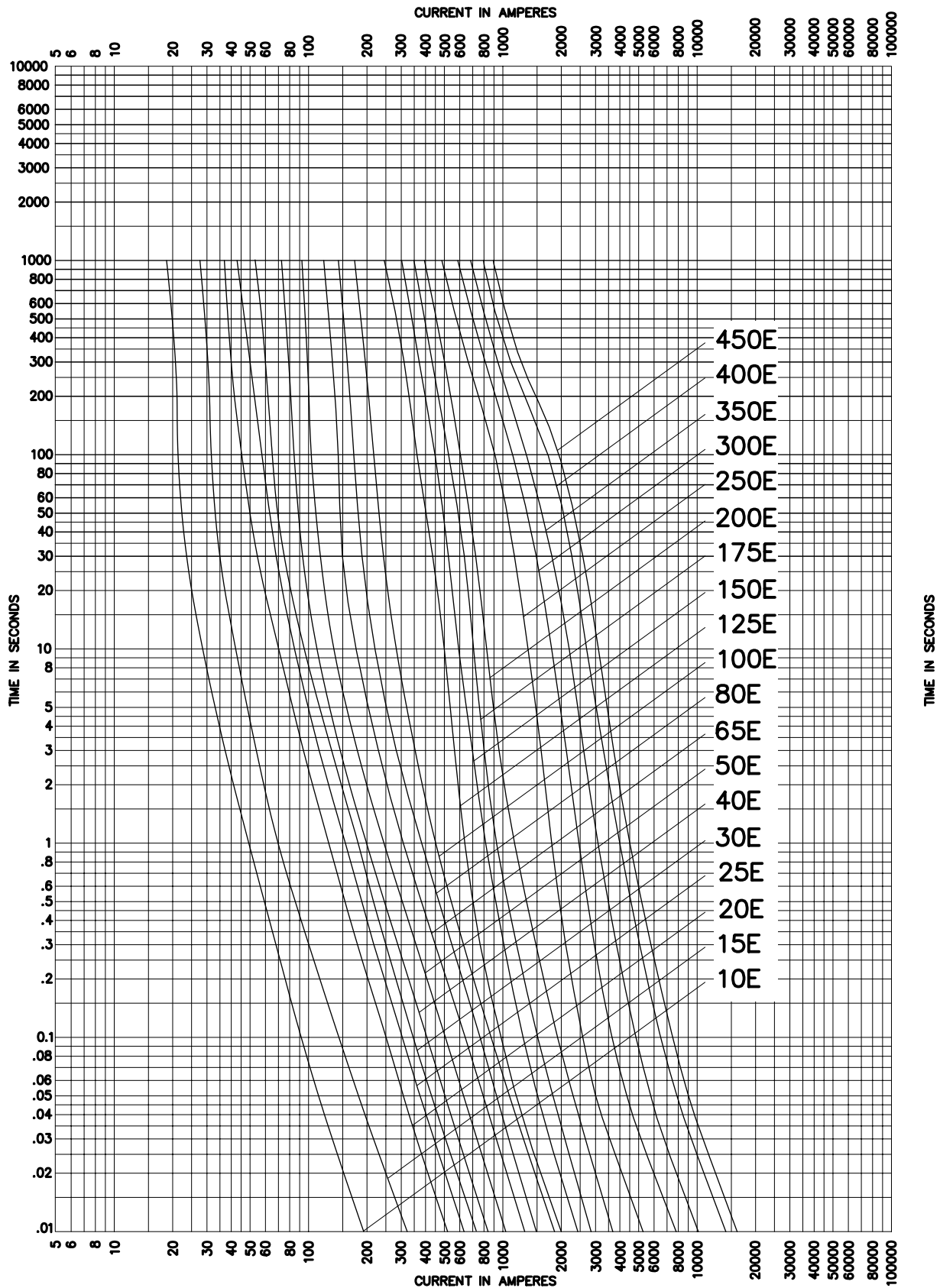
Catalog numbers — full range versions

Catalog numbers	Amps	Interrupting rating (Sym. kA)	Dimensions — in (mm)	
			Length	Diameter
25.8 kV				
258GDQSJ10E	10	25	21.1 (537)	2 (51)
258GDQSJ15E	15			
258GDQSJ20E	20			
258GDQSJ25E	25			
258GDQSJ30E	30		21.1 (537)	3.5 (89)
258GXQSJ40E	40			
258GXQSJ50E	50			
258GXQSJ65E	65			
258GXZSJ80E	80			
258GXZSJ100E	100			
38 kV				
38GFZSJ10E	10	25	28.3 (718)	3 (76)
38GFZSJ15E	15			
38GFZSJ20E	20			
38GFZSJ25E	25			
38GFZSJ30E	30			

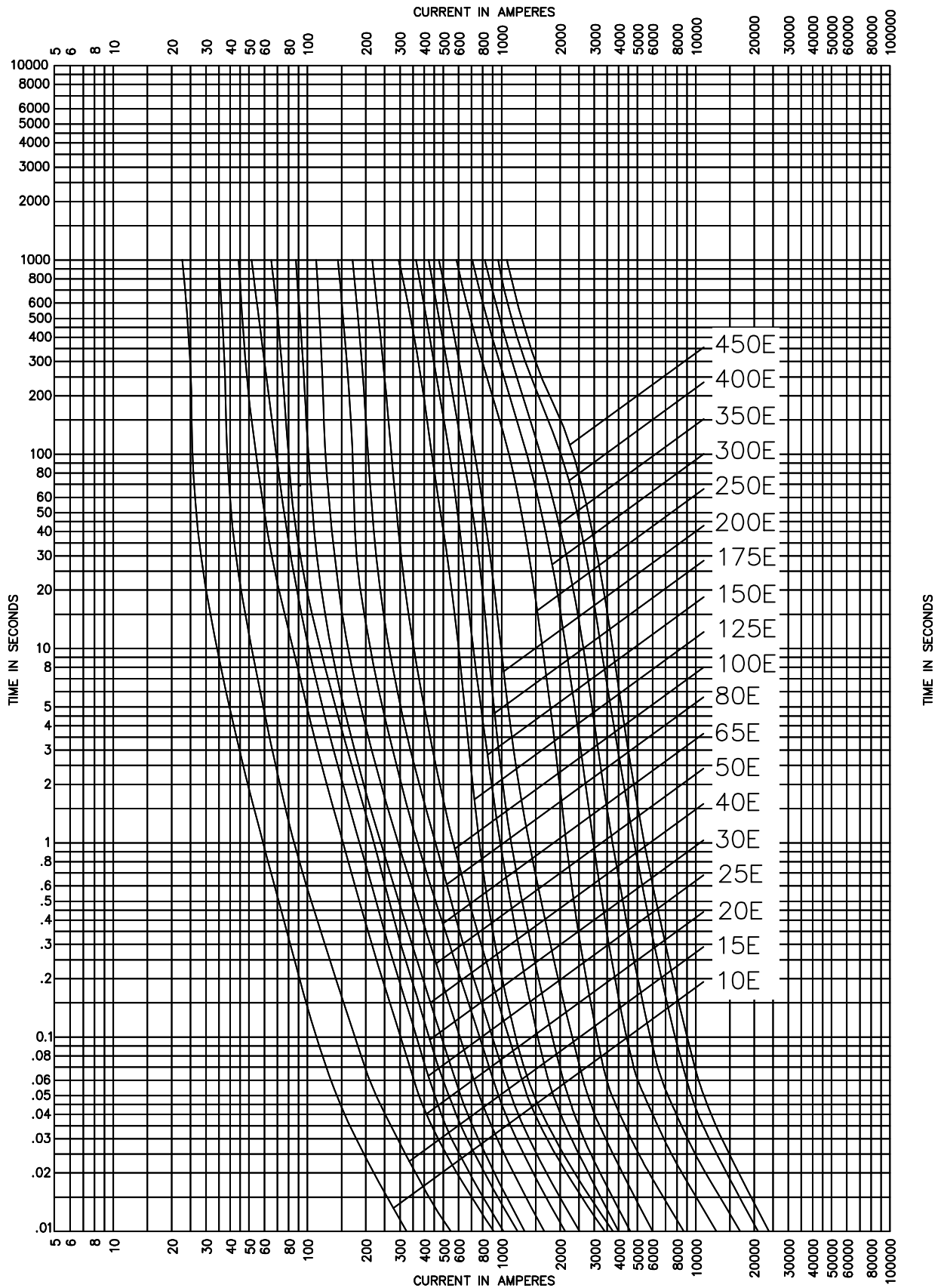
Dimensions — in (mm)



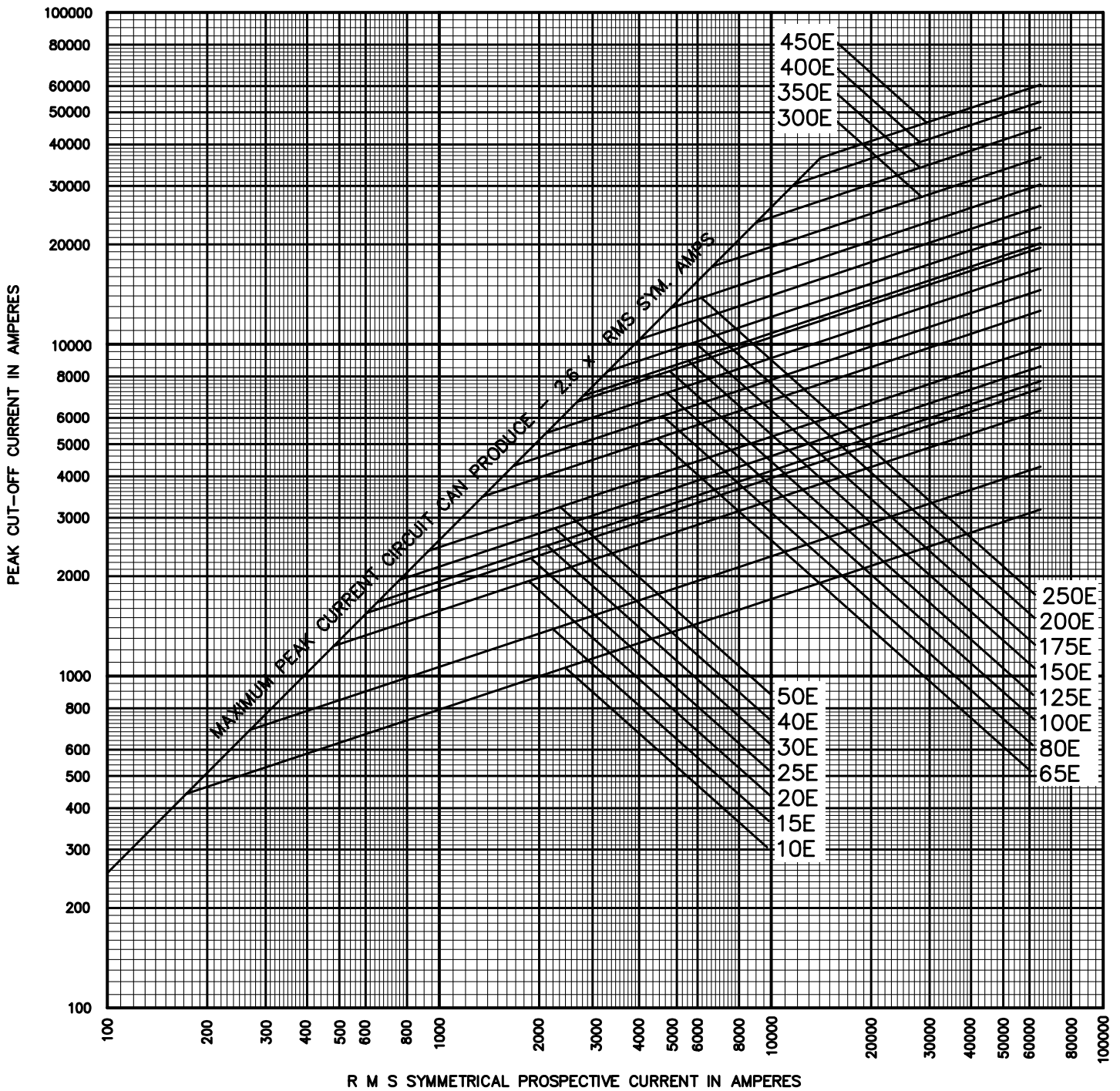
5.5 kV time-current curves — minimum melting



5.5 kV time-current curves — total clearing

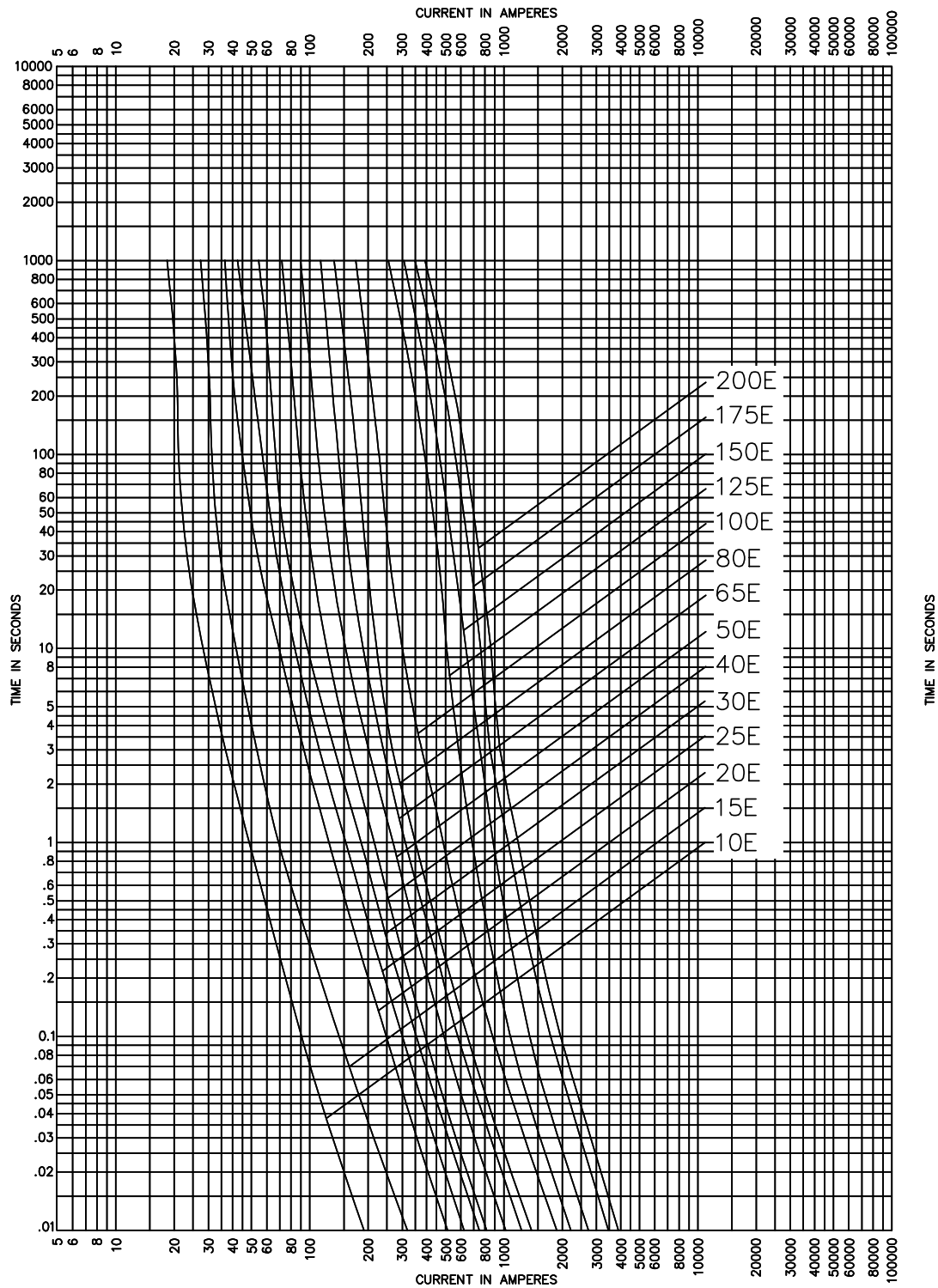


5.5 kV cut-off curves

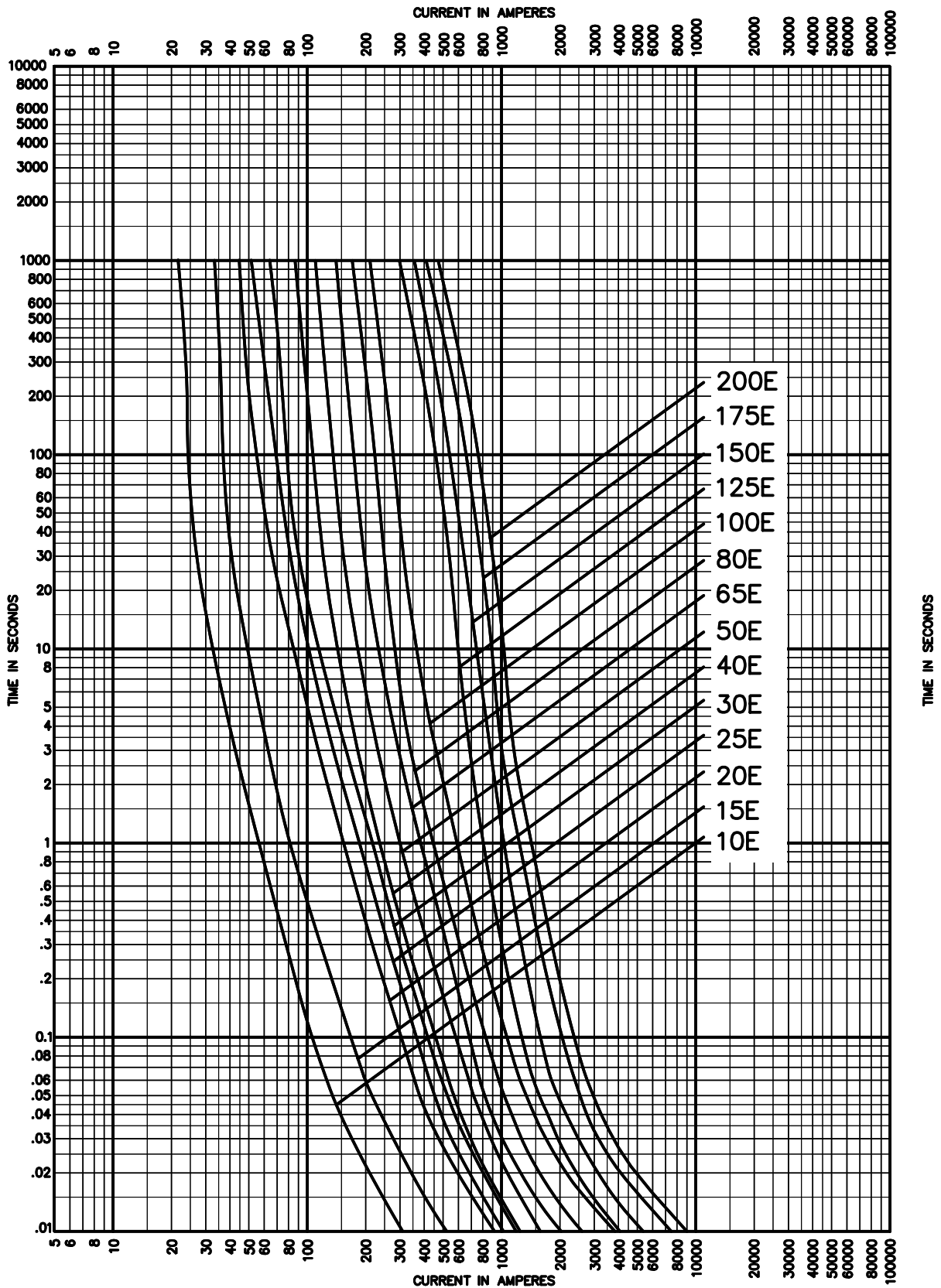


- Notes:**
1. Curves show extreme maximum values which will not be exceeded under conditions stated in notes 2 and 3 below.
 2. For high values of prospective current, a symmetrical fault gives the highest cut-off current. For low values of prospective current, where there is little or no current limitation, an asymmetrical fault passes the highest peak current. The curves are therefore based upon the degree of asymmetry which gives the maximum cut-off current at any particular value of prospective current.
 3. Curves related to frequency of 60 Hz and a recovery voltage equal to the fuse's rated voltage.

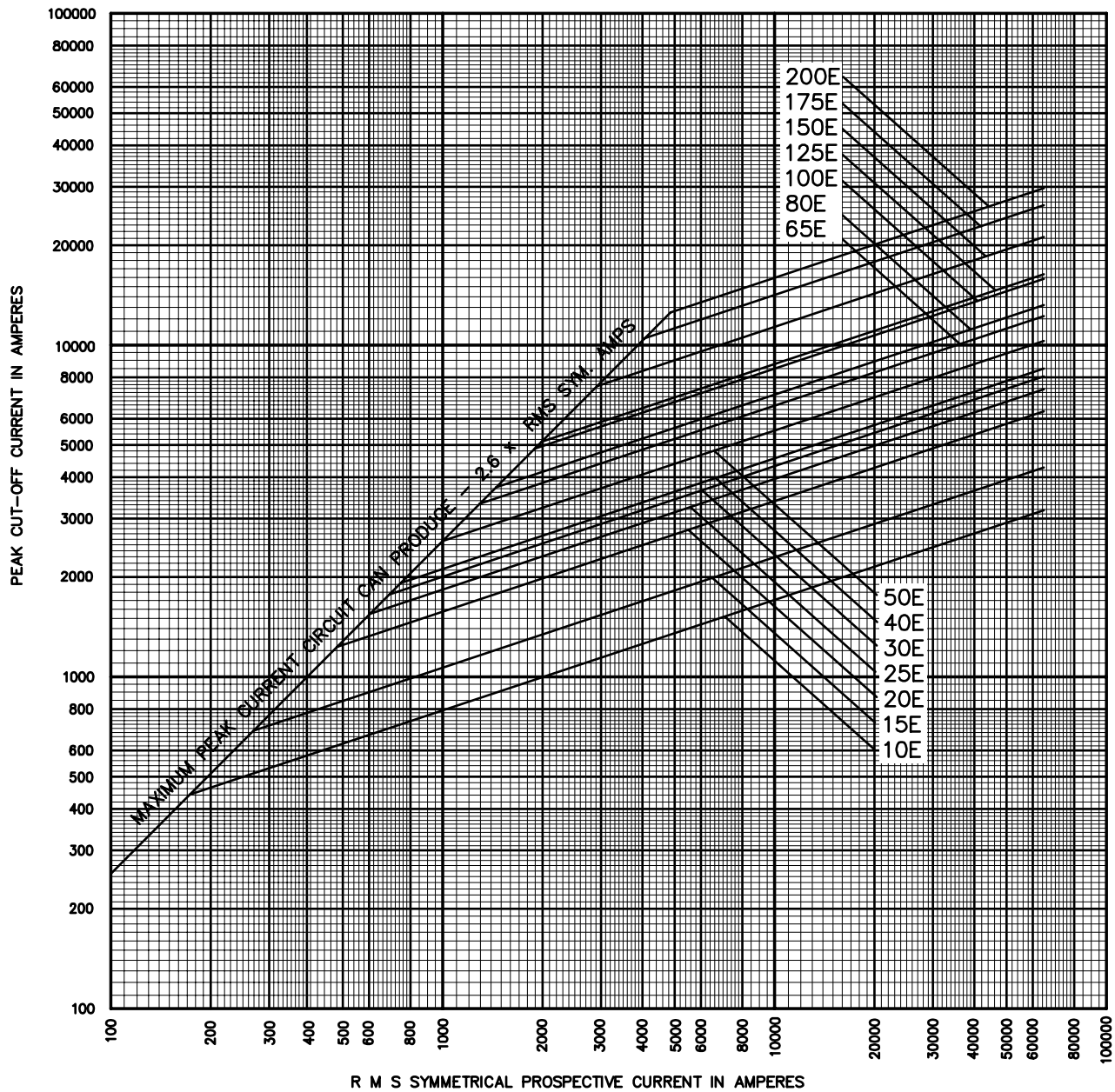
15.5 to 17.5 kV time-current curves – minimum melting



15.5 to 17.5 kV time-current curves – total clearing



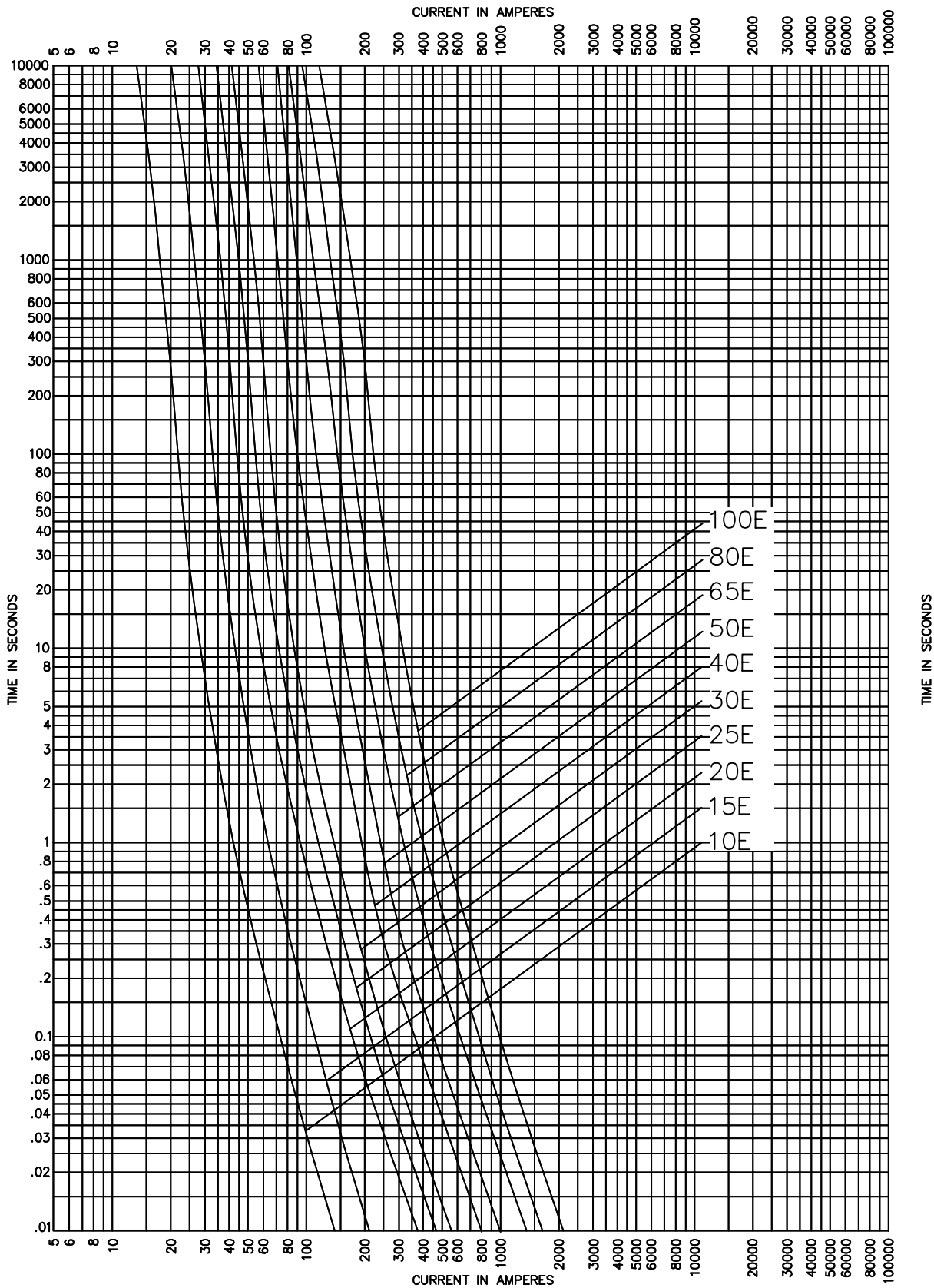
15.5 to 17.5 kV cut-off curves



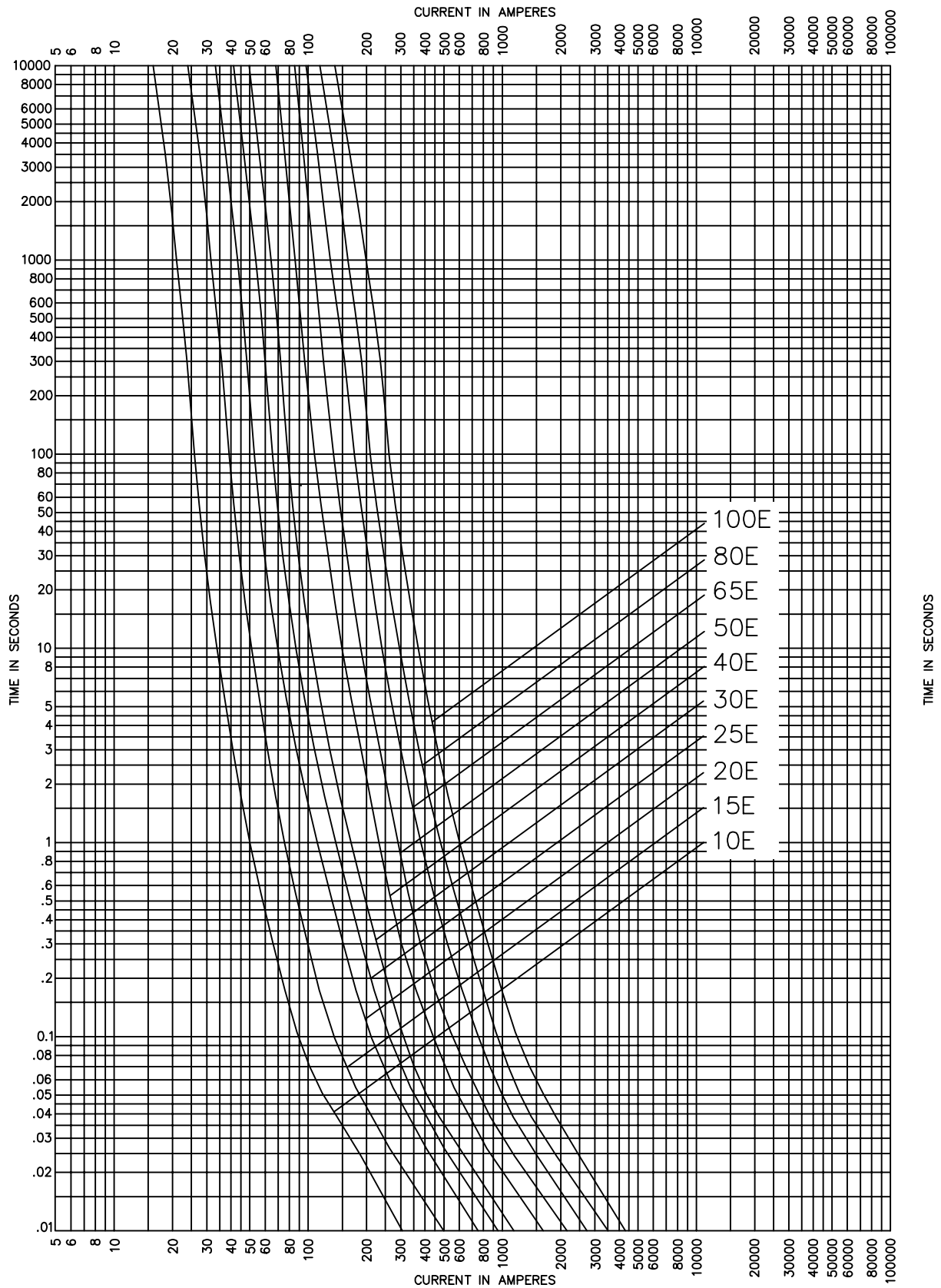
Notes:

1. Curves show extreme maximum values which will not be exceeded under conditions stated in notes 2 and 3 below.
2. For high values of prospective current, a symmetrical fault gives the highest cut-off current. For low values of prospective current, where there is little or no current limitation, an asymmetrical fault passes the highest peak current. The curves are therefore based upon the degree of asymmetry which gives the maximum cut-off current at any particular value of prospective current.
3. Curves related to frequency of 60 Hz and a recovery voltage equal to the fuse's rated voltage.

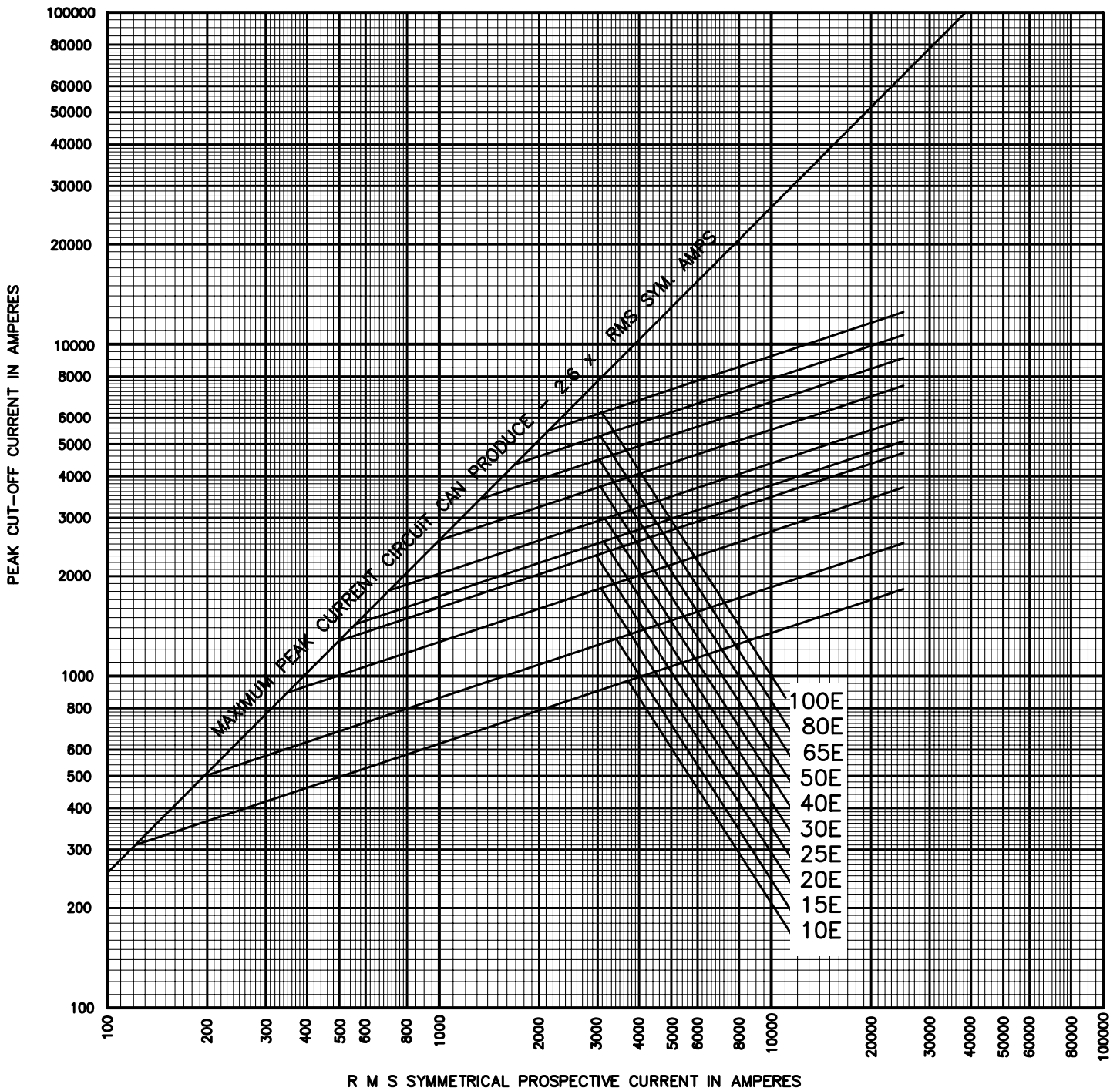
25.8 to 38 kV time-current curves – minimum melting



25.8 to 38 kV time-current curves – total clearing



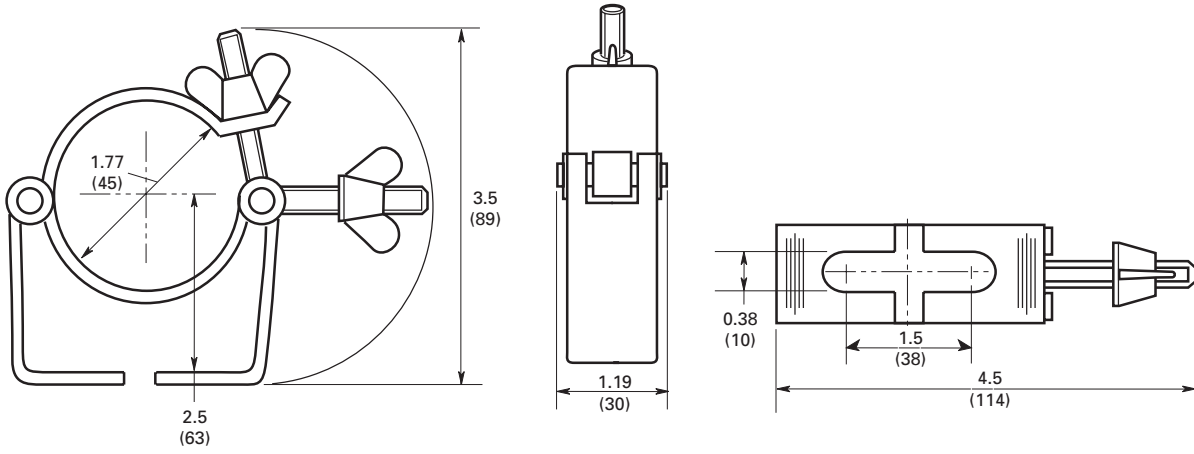
25.8 to 38 kV cut-off curves



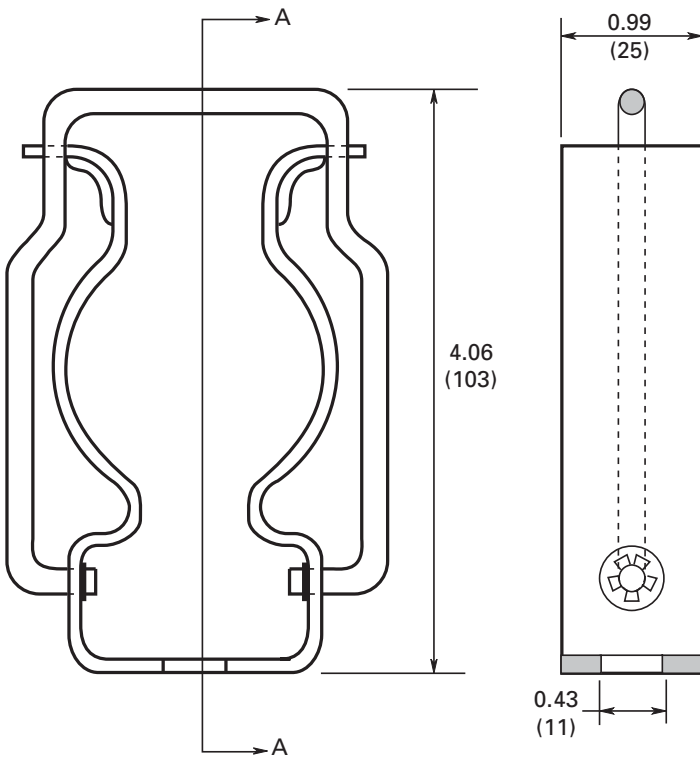
- Notes:**
1. Curves show extreme maximum values which will not be exceeded under conditions stated in notes 2 and 3 below.
 2. For high values of prospective current, a symmetrical fault gives the highest cut-off current. For low values of prospective current, where there is little or no current limitation, an asymmetrical fault passes the highest peak current. The curves are therefore based upon the degree of asymmetry which gives the maximum cut-off current at any particular value of prospective current.
 3. Curves related to frequency of 60 Hz and a recovery voltage equal to the fuse's rated voltage.

Fuseclip dimensions in (mm)

Catalog no. A3354745 – not sold in pairs



Catalog no. 270303



The only controlled copy of this data sheet is the electronic read-only version located on the Eaton network drive. All other copies of this document are by definition uncontrolled. This bulletin is intended to clearly present comprehensive product data and provide technical information that will help the end user with design applications. Eaton reserves the right, without notice, to change design or construction of any products and to discontinue or limit distribution of any products. Eaton also reserves the right to change or update, without notice, any technical information contained in this bulletin. Once a product has been selected, it should be tested by the user in all possible applications.

Eaton
1000 Eaton Boulevard
Cleveland, OH 44122
Eaton.com

Bussmann Division
114 Old State Road
Ellisville, MO 63021
United States
Eaton.com/bussmannseries

© 2020 Eaton
All Rights Reserved
Publication No. 10638
April 2020



Eaton and Bussmann are valuable trademarks of Eaton in the U.S. and other countries. You are not permitted to use the Eaton trademarks without prior written consent of Eaton.

For Eaton's Bussmann series product information, call **1-855-287-7626** or visit: **Eaton.com/bussmannseries**

Follow us on social media to get the latest product and support information.





Компания «ЭлектроПласт» предлагает заключение долгосрочных отношений при поставках импортных электронных компонентов на взаимовыгодных условиях!

Наши преимущества:

- Оперативные поставки широкого спектра электронных компонентов отечественного и импортного производства напрямую от производителей и с крупнейших мировых складов;
- Поставка более 17-ти миллионов наименований электронных компонентов;
- Поставка сложных, дефицитных, либо снятых с производства позиций;
- Оперативные сроки поставки под заказ (от 5 рабочих дней);
- Экспресс доставка в любую точку России;
- Техническая поддержка проекта, помощь в подборе аналогов, поставка прототипов;
- Система менеджмента качества сертифицирована по Международному стандарту ISO 9001;
- Лицензия ФСБ на осуществление работ с использованием сведений, составляющих государственную тайну;
- Поставка специализированных компонентов (Xilinx, Altera, Analog Devices, Intersil, Interpoint, Microsemi, Aeroflex, Peregrine, Syfer, Eurofarad, Texas Instrument, Miteq, Cobham, E2V, MA-COM, Hittite, Mini-Circuits, General Dynamics и др.);

Помимо этого, одним из направлений компании «ЭлектроПласт» является направление «Источники питания». Мы предлагаем Вам помощь Конструкторского отдела:

- Подбор оптимального решения, техническое обоснование при выборе компонента;
- Подбор аналогов;
- Консультации по применению компонента;
- Поставка образцов и прототипов;
- Техническая поддержка проекта;
- Защита от снятия компонента с производства.



Как с нами связаться

Телефон: 8 (812) 309 58 32 (многоканальный)

Факс: 8 (812) 320-02-42

Электронная почта: org@eplast1.ru

Адрес: 198099, г. Санкт-Петербург, ул. Калинина, дом 2, корпус 4, литера А.