

Power Relay RM 5/6/B 3mm

- 2 and 3 pole 10/16A, 2 form A (2 NO) or 3 form A (3 NO) contacts
- 3mm contact gap
- DC or AC coil
- Push-to-test button
- Plug-in version, PCB terminals, chassis or DIN rail mount

Typical applications
Power supplies, pump control.



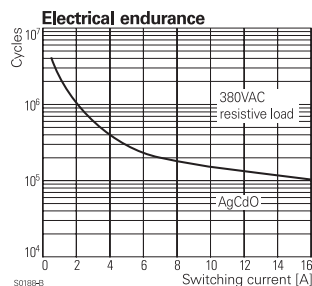
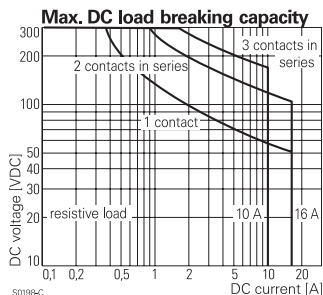
Approvals

VDE Cert. No. 40003144, UL E214025
Technical data of approved types on request.

Contact Data	RM5	RM6	RMB
Contact arrangement	2 form A 2 NO	3 form A 3 NO	3 form A 3 NO
Contact gap	3mm	3mm	3mm
Rated voltage	400VAC	230VAC	230VAC
Max. switching voltage	440VAC	400VAC	400VAC
Rated current	16A	10A	16A
Limiting making current, max 20ms	30A	25A	30A
Switching power	6000VA	3800VA	6000VA
Contact material	AgNi90/10; AgCdO		
Min. recommended contact load	24VDC/100mA		
Frequency of operation, with/without load	960/6000h ⁻¹		
Operate/release time max., DC coil	20/5ms		
Bounce time max., form A, DC coil	4ms		

Contact ratings

Type	Contact	Load	Cycles
IEC 61810			
RM5	A (NO)	16A, 230/400VAC, cosφ=1, 35°C	100x10 ³
RM52	A (NO)	12A, 400VAC, cosφ=1, same. pol., 70°C	100x10 ³
RM5	A (NO)	10A, 48VDC, 70°C	30x10 ³
RM5	A (NO)	10A, 400VAC, 70°C	30x10 ³
RM6	A (NO)	10A, 230/400VAC, cosφ=1, 35°C	100x10 ³
RM62 (DC)	A (NO)	12A, 400VAC, cosφ=1, same. pol., 50°C	100x10 ³
RMB	A (NO)	16A, 400VAC same polarity, cosφ=1, 40°C	100x10 ³
UL 508			
RM5	A (NO)	16A, 415VAC, resistive, 50°C	100x10 ³
RM5	A (NO)	16A, 277VAC, general purpose, 50°C	30x10 ³
RM6	A (NO)	10A, 415VAC, resistive, DC-coil, 70°C	100x10 ³
RM6	A (NO)	10A, 415VAC, resistive, AC-coil, 50°C	100x10 ³
RM6	A (NO)	10A, 277VAC, gen. purp., DC-coil, 70°C	30x10 ³
RM6	A (NO)	10A, 277VAC, gen. purp., AC-coil, 50°C	30x10 ³
RMB	A (NO)	16A, 277VAC, general purpose, 25°C	30x10 ³
Mechanical endurance			
DC coil			15x10 ⁶ operations
AC coil			10x10 ⁶ operations



Coil Data

Coil voltage range	6 to 220 VDC 6 to 400 VAC
Operative range, IEC 61810	90 to 100% of rated coil voltage
Coil insulation system according UL	class 130 (B)

Coil versions, DC coil

STD	LED bipolar	Coil code	Rated voltage VDC	Coil resistance Ω±10% ¹⁾	Rated power W
		PD ²⁾			
		LED+ PD ²⁾			
Coil versions, DC coil, RM5, RM6					
006	L06	0A6	6	24	1.5
012	L12	0B2	12	86	1.7
024	L24	0C4	24	345	1.7
048	L48	0E8	48	1340	1.7
060	L60	0G0	60	2200	1.6
110	M10	1B0	110	7300	1.7
221	N21	2C1	220	30000 ¹⁾	1.6

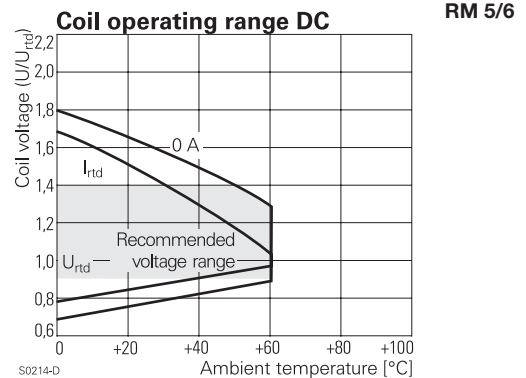
Coil versions, DC coil, RMB

012	-	-	12	62.6	2.3
024	-	-	24	250	2.3

Operate voltage, DC coil: 75% of rated coil voltage
Release voltage, DC coil: 10% of rated coil voltage

1) Coil resistance ±15%,
2) Protection diode PD; standard polarity: +A1 / -A2.

All figures are given for coil without pre-energization, at ambient temperature +23°C.



Power Relay RM 5/6/B 3mm (Continued)

Coil Data (continued)

Coil versions, AC coil

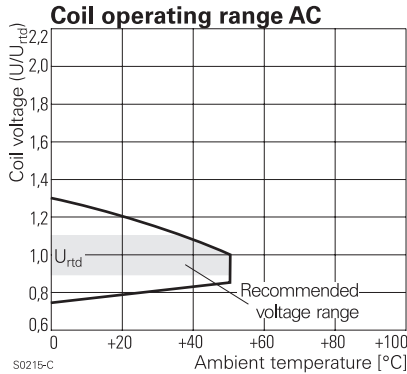
Coil code	Rated voltage	Operate voltage	Release voltage	Coil resistance	Rated coil power
STD	LED	VAC	VAC	VAC	Ω±10% ¹⁾ VA
		50/60Hz	50/60Hz		

Coil versions, AC-coil, RM5, RM6

506	R06	6	4.8/5.1	1.8	4.7	2.86/2.36
512	R12	12	9.6/10.2	3.6	19.5	2.71/2.27
524	R24	24	19.2/20.4	7.2	80	2.62/2.00
548	R48	48	38.4/40.8	14.4	320	2.60/2.17
560	R60	60	48.0/51.0	18.0	500	2.62/2.20
615	S15	115	92.0/97.8	34.5	1850	2.65/2.22
730	T30	230	184.0/195.5	69.0	7500	2.69/ 2.26
900	V00	400	320.0/340.0	120.0	23500 ¹⁾	2.61/2.20

1) Coil resistance ±15%.

All figures are given for coil without pre-energization, at ambient temperature +23°C.



Accessories

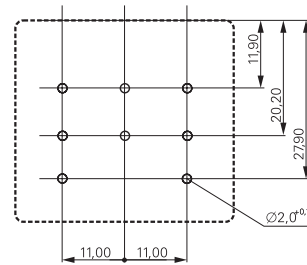
For details see datasheet

[Accessories Power Relay RM](#)

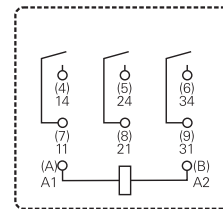
Note: indicated contact ratings and electrical endurance data for direct wiring of relays (according IEC 61810-1); for relays mounted on sockets deratings may apply.

PCB layout / terminal assignment

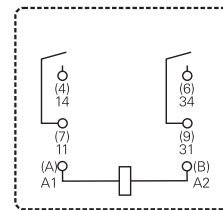
Bottom view on pins



3 form A (3 NO) contacts



2 form A (2 NO) contacts



Insulation Data

	RM5	RM6	RMB
Initial dielectric strength			
between open contacts	2500Vrms	2500Vrms	2500Vrms
between contact and coil	2500Vrms	2500Vrms	2500Vrms
between adjacent contacts	2500Vrms	2500Vrms	2500Vrms
Initial surge withstand voltage	4000V	4000V	4000V
between contact and coil	5000V	4000V	4000V
between adjacent contacts, RM5	6000V	-	-

Clearance/creepage

between contact and coil	≥ 4.0/14.9mm
between adjacent contacts	≥ 6.1/7.3mm

Material group of insulation parts IIIa

Other Data

Material compliance: EU RoHS/ELV, China RoHS, REACH, Halogen content refer to the Product Compliance Support Center at www.te.com/customer-support/rohssupportcenter

Ambient temperature for mounting/handling	-20 to 40°C		
in operation			
DC coil	-40 to 50°C	-40 to 60°C	-40 to 50°C
AC coil	-40 to 50°C	-40 to 50°C	-

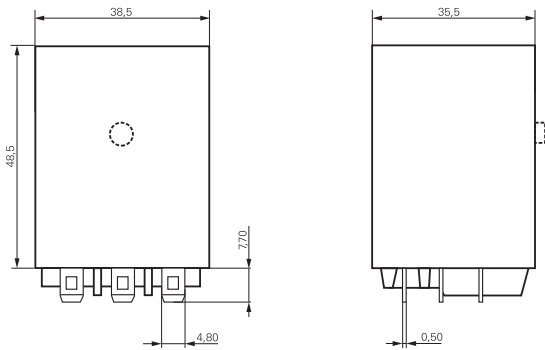
Category of environmental protection

IEC 61810	RT1 - dust protected		
Vibration resistance (functional)	12 g, 30 to 150 Hz		
Terminal type	PCB-THT, plug-in, quick-connect (QC)		
Cover retention, pull/push force	100/100N		
Mounting position	versions with test button not to be mounted with button on top		
Weight	81g		
Resistance to soldering heat THT			
IEC 60068-2-20	270°C/10s		
Packaging unit	10/25 pcs.		

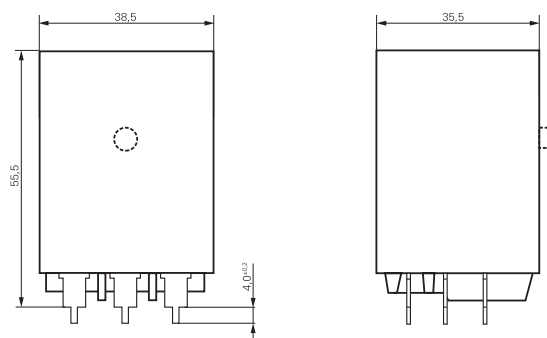
Power Relay RM 5/6/B 3mm (Continued)

Dimensions

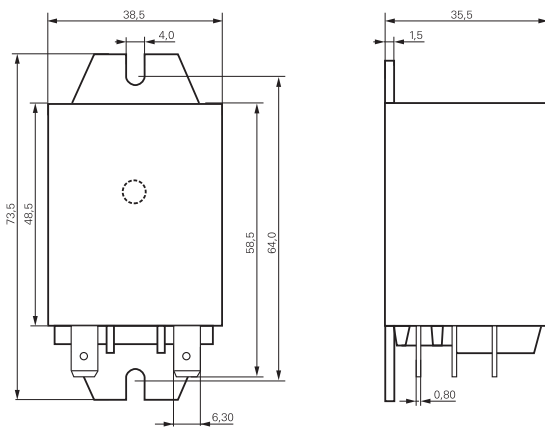
Plain cover, plug-in version



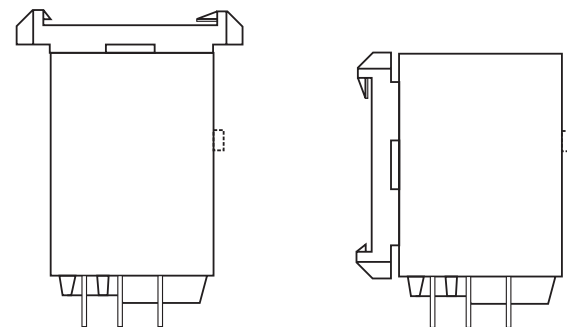
PCB version



Cover with mounting brackets, 6.3mm quick connect (4.8mm available)



Cover with DIN-snap-on attachment (6.3mm quick connect only)
horizontal vertical



Product code structure

Typical product code **RM 5 2 2 524**

Type	RM Power relay RM5/6/B 3mm			
Contact arrangement	5 2 form A contacts (2 NO), 16A	6 3 form A contacts (3 NO), 10A	B 3 form A contacts (3 NO), 16A	
Version	0 AgCdO, without test button, without mechanical indicator ¹⁾ 2 AgNi90/10, without test button, without mechanical indicator 3 AgCdO, with test button, without mechanical indicator ¹⁾ 7 AgNi90/10, with test button, without mechanical indicator			
Enclosure	2 Plain cover, 4.8mm quick connect terminals 3 Cover with mounting brackets, 4.8mm quick connect terminals 5 Cover with mounting brackets, 6.3mm quick connect terminals 7 PCB version 8 Cover with DIN-snap-on attachment, horizontal, 6.3mm quick connect terminals 9 Cover with DIN-snap-on attachment, vertical, 6.3mm quick connect terminals			
Coil	Coil code: please refer to coil versions table			

1) AgCdO contacts are discontinued and replaced with AgNi contacts (see PCN E-18-003016)

Power Relay RM 5/6/B 3mm (Continued)

Product key	Contacts	Cont. material	Version	Enclosure	Coil	Coil	Part number
RM502024	2 form A,	AgCdO	Without	Plain cover	DC coil	24VDC	6-1393146-1
RM522012	2 NO contacts	AgNi	test button	QC 4.8mm		12VDC	2-1415546-4
RM522024		AgNi	without			24VDC	8-1415547-2
RM502524		AgCdO	mech. indicator		AC coil	24VAC	6-1393146-2
RM502615		AgCdO				115VAC	6-1393146-3
RM502730		AgCdO				230VAC	6-1393146-4
RM503024		AgCdO		Mounting brackets	DC coil	24VDC	8-1393148-0
RM503615		AgCdO		quick c. 4.8mm	AC coil	115VAC	6-1393146-5
RM505024		AgCdO		Mounting brackets	DC coil	24VDC	8-1393148-3
RM525012		AgNi		QC 6.3mm		12VDC	5-1415544-6
RM525024		AgNi				24VDC	8-1415545-7
RM505615		AgCdO			AC coil	115VAC	6-1393146-6
RM505730		AgCdO				230VAC	9-1393149-9
RM525730		AgNi				230VAC	2-1415546-5
RM507024		AgCdO		PCB version	DC coil	24VDC	1393844-1
RM527024		AgNi				24VDC	2-1415546-6
RM507524		AgCdO			AC coil	24VAC	5-1415008-1
RM507615		AgCdO				115VAC	6-1415015-1
RM507730		AgCdO				230VAC	1415008-1
RM528730		AgNi		DIN-snap-on horizontal		230VAC	2-1415546-7
RM535024		AgCdO	With test button	Mounting brackets	DC coil	24VDC	7-1393146-2
RM535524		AgCdO	w/o mech.indicator	QC 6.3mm	AC coil	24VAC	9-1393148-0
RM602024	3 form A,	AgCdO	Without	Plain cover	DC coil	24VDC	1393844-4
RM622024	3 NO contacts	AgNi	test button	QC 4.8mm		24VDC	2-1415546-8
RM602615		AgCdO	without		AC coil	115VAC	9-1393148-7
RM605730		AgCdO	mech. indicator	Mount.br. q.c.6.3		230VAC	7-1393146-6
RM607024		AgCdO		PCB version	DC coil	24VDC	1393844-6
RM627012		AgNi				12VDC	2-1415546-9
RM627024		AgNi				24VDC	5-1415538-2
RM627730		AgNi			AC coil	230VAC	3-1415546-0
RM607524		AgCdO				24VAC	7-1393146-8
RM607615		AgCdO				115VAC	8-1415015-1
RM607730		AgCdO				230VAC	7-1393146-9
RM632024		AgCdO	With	Plain cover	DC coil	24VDC	8-1393146-0
RM632730		AgCdO	test button	QC 4.8mm	AC coil	230VAC	1393149-7
RM635024		AgCdO	without	Mount.br.QC 6.3	DC coil	24VDC	7-1393107-7
RM637024		AgCdO	mech. indicator	PCB version		24VDC	1393149-9
RMB07012	3 A (NO) cont. 16A	AgCdO	W/o test, indicator			12VDC	1-1415545-6
RMB07024		AgCdO				24VDC	2-1415543-7



Компания «ЭлектроПласт» предлагает заключение долгосрочных отношений при поставках импортных электронных компонентов на взаимовыгодных условиях!

Наши преимущества:

- Оперативные поставки широкого спектра электронных компонентов отечественного и импортного производства напрямую от производителей и с крупнейших мировых складов;
- Поставка более 17-ти миллионов наименований электронных компонентов;
- Поставка сложных, дефицитных, либо снятых с производства позиций;
- Оперативные сроки поставки под заказ (от 5 рабочих дней);
- Экспресс доставка в любую точку России;
- Техническая поддержка проекта, помощь в подборе аналогов, поставка прототипов;
- Система менеджмента качества сертифицирована по Международному стандарту ISO 9001;
- Лицензия ФСБ на осуществление работ с использованием сведений, составляющих государственную тайну;
- Поставка специализированных компонентов (Xilinx, Altera, Analog Devices, Intersil, Interpoint, Microsemi, Aeroflex, Peregrine, Syfer, Eurofarad, Texas Instrument, Miteq, Cobham, E2V, MA-COM, Hittite, Mini-Circuits, General Dynamics и др.);

Помимо этого, одним из направлений компании «ЭлектроПласт» является направление «Источники питания». Мы предлагаем Вам помощь Конструкторского отдела:

- Подбор оптимального решения, техническое обоснование при выборе компонента;
- Подбор аналогов;
- Консультации по применению компонента;
- Поставка образцов и прототипов;
- Техническая поддержка проекта;
- Защита от снятия компонента с производства.



Как с нами связаться

Телефон: 8 (812) 309 58 32 (многоканальный)

Факс: 8 (812) 320-02-42

Электронная почта: org@eplast1.ru

Адрес: 198099, г. Санкт-Петербург, ул. Калинина, дом 2, корпус 4, литера А.