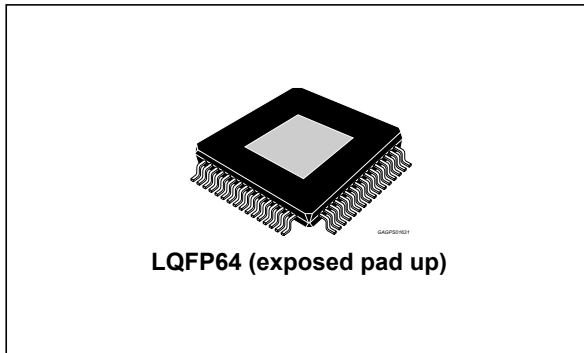


4 x 50 W class-D digital input power amplifier with I²C diagnostics and low voltage operation

Data brief



- ESD protection
- 6 V operation (“Start - Stop” engines compatibility)
- 2 and 1 Ω load driving capability

Description

FDA801 is a new BCD technology quad BRIDGE class D amplifier, specially intended for automotive applications.

Thanks to the technology used, it is possible to integrate a high performance D/A converter together with powerful MOSFET outputs in class D, to get an outstanding efficiency compared with the standard class AB.

The integrated D/A converter allows to reach outstanding performances (110 dB S/N ratio with 108 dB of dynamic range). The feedback loop includes the output L-C low-pass filter, allowing superior frequency response linearity and lower distortion independently from the inductor and capacitor quality.

FDA801 is fully configurable through I²C bus interface and integrates a full diagnostics array specially intended for automotive applications. Thanks to the solutions implemented to contain EMI emissions, the device is intended to be used in the standard single DIN car-radio box together with the tuner.

Moreover FDA801 is able to work with power supply as low as 6 V, thus supporting the most recent low voltage ('start-stop') car-makers specification.

Features

- Integrated 110 dB D/A conversion
- I²S and TDM digital input (3.3/1.8 V)
- Input sampling frequency: 44.1 kHz, 48 kHz, 96 kHz, 192 kHz
- Class-D channels with 93% efficiency
- EMI control for AM compatibility
- EMI compliance evaluated following normative IEC61967-4 and IEC62132-4
- Low radiation function (LRF)
- Idle tones free DAC
- Output lowpass filter included in the feedback allowing lower cost filter components
- Max. output power
 - 4 x 50 W/4 Ω @ 15.2 V, 1 kHz
- High output power capability
 - 28 W/4 Ω 10 % THD, Vd = 14.4 V
- Full I²C bus driving (3.3/1.8 V):
 - Channels independent tristate
 - Channel independent soft play/mute
 - I²C bus diagnostics, including DC and AC load detection
- Integrated fault protection
- Input and output offset detector
- Clipping detector

Table 1. Device summary

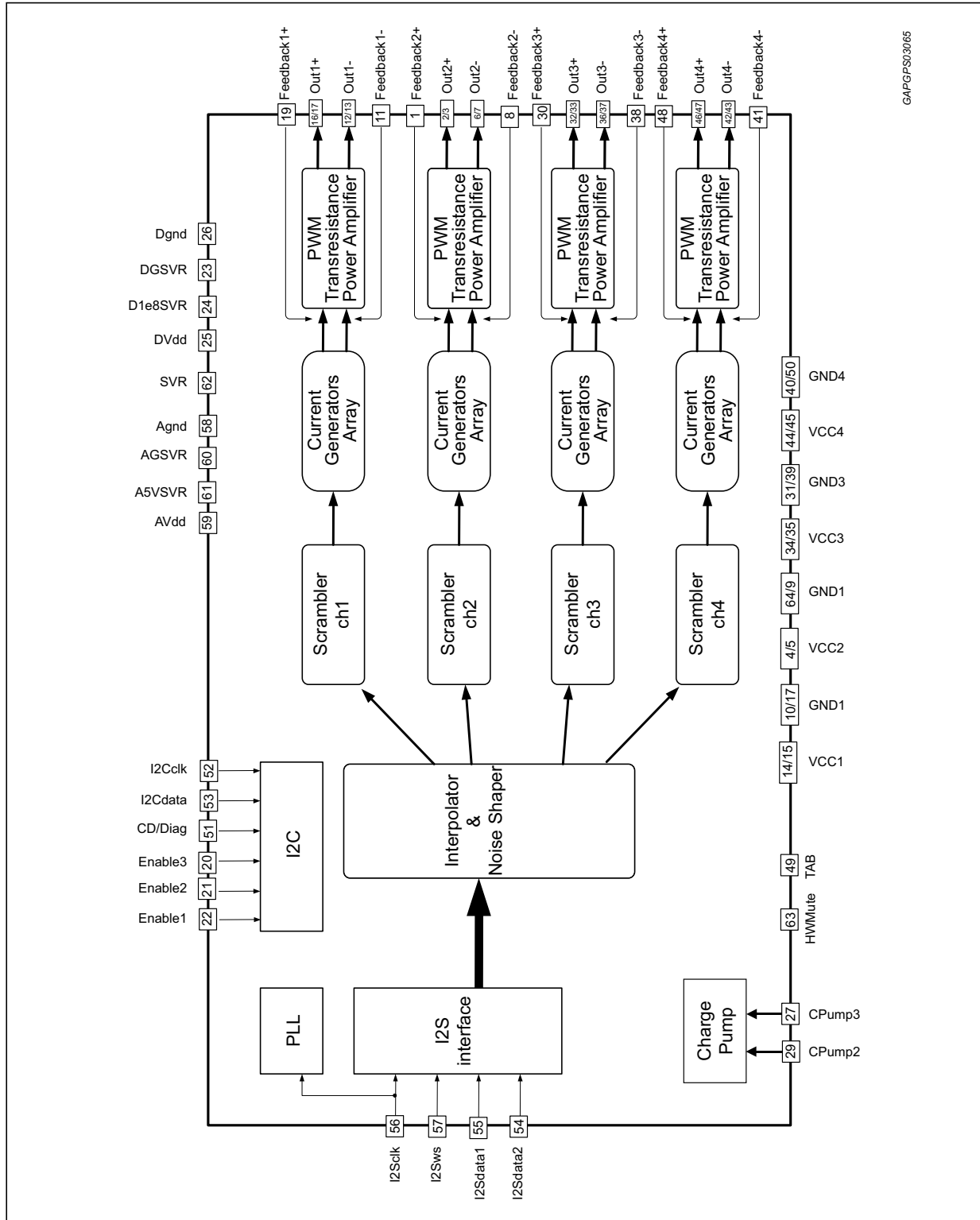
Order code	Package	Packing
FDA801-VYY	LQFP64 (exp. pad up)	Tray
FDA801-VYT	LQFP64 (exp. pad up)	Tape & Reel

Contents

1	Block diagram and pins description	3
2	General introduction	7
3	Package information	8
	3.1 LQFP64 (10x10x1.4 mm exp. pad up) package information	8
4	Revision history	10

1 Block diagram and pins description

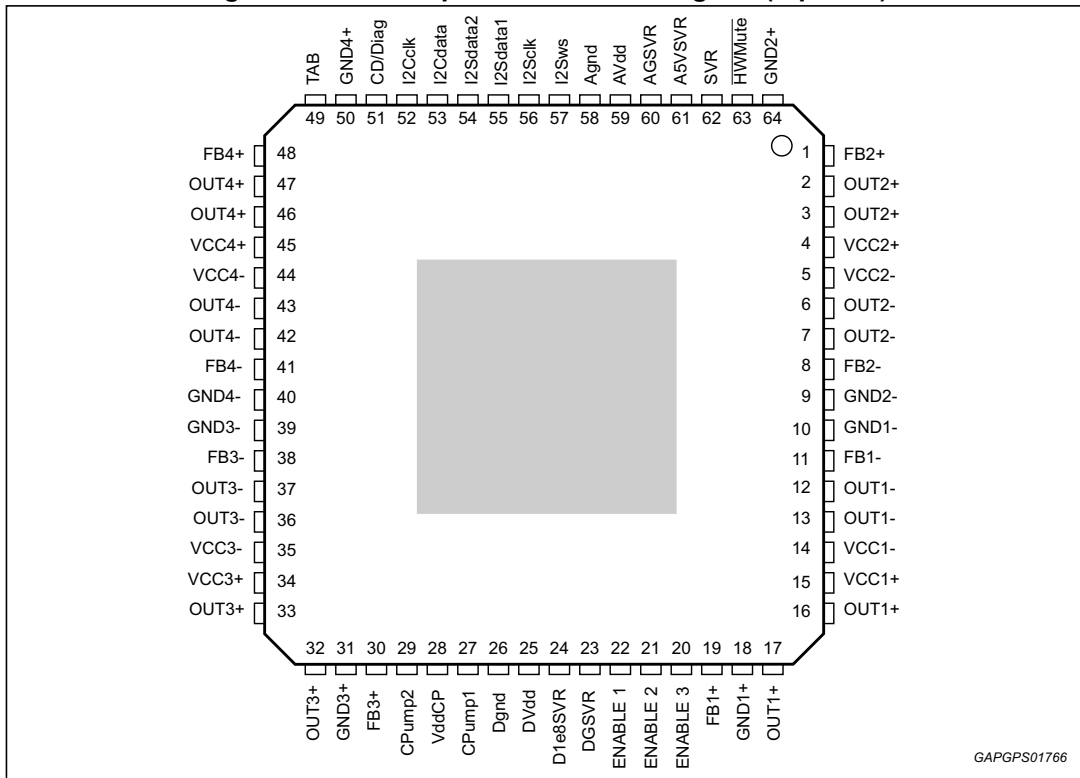
Figure 1. Block diagram



GAPGPS03065



Figure 2. Tentative pins connection diagram (top view)



GAPGPS01766

Table 2. Pins list description

N#	Pin	Function
1	FB2+	Channel 2, half bridge plus, Feedback
2	OUT2+	Channel 2, half bridge plus, Output
3	OUT2+	Channel 2, half bridge plus, Output
4	VCC2+	Channel 2, half bridge plus, Power Supply
5	VCC2-	Channel 2, half bridge minus, Power Supply
6	OUT2-	Channel 2, half bridge minus, Output
7	OUT2-	Channel 2, half bridge minus, Output
8	FB2-	Channel 2, half bridge minus, Feedback
9	GND2-	Channel 2, half bridge minus, Power Ground
10	GND1-	Channel 1, half bridge minus, Power Ground
11	FB1-	Channel 1, half bridge minus, Feedback
12	OUT1-	Channel 1, half bridge minus, Output
13	OUT1-	Channel 1, half bridge minus, Output
14	VCC1-	Channel 1, half bridge minus, Power Supply
15	VCC1+	Channel 1, half bridge plus, Power Supply
16	OUT1+	Channel 1, half bridge plus, Output

Table 2. Pins list description (continued)

N#	Pin	Function
17	OUT1+	Channel 1, half bridge plus, Output
18	GND1+	Channel 1, half bridge plus, Power Ground
19	FB1+	Channel 1, half bridge plus, Feedback
20	ENABLE 3	Enable 3
21	ENABLE 2	Enable 2
22	ENABLE 1	Enable 1
23	DGSVR	Negative digital supply V(SVR)-0.9V (Internally generated)
24	D1e8SVR	Positive digital supply V(SVR)+0.9V (Internally generated)
25	DVdd	Digital supply
26	Dgnd	Digital ground
27	CPump1	Charge Pump pin1
28	VddCP	Charge Pump output voltage
29	CPump2	Charge Pump pin2
30	FB3+	Channel 3, half bridge plus, Feedback
31	GND3+	Channel 3, half bridge plus, Power Ground
32	OUT3+	Channel 3, half bridge plus, Output
33	OUT3+	Channel 3, half bridge plus, Output
34	VCC3+	Channel 3, half bridge plus, Power Supply
35	VCC3-	Channel 3, half bridge minus, Power Supply
36	OUT3-	Channel 3, half bridge minus, Output
37	OUT3-	Channel 3, half bridge minus, Output
38	FB3-	Channel 3, half bridge minus, Feedback
39	GND3-	Channel 3, half bridge minus, Power Ground
40	GND4-	Channel 4, half bridge minus, Power Ground
41	FB4-	Channel 4, half bridge minus, Feedback
42	OUT4-	Channel 4, half bridge minus, Output
43	OUT4-	Channel 4, half bridge minus, Output
44	VCC4-	Channel 4, half bridge minus, Power Supply
45	VCC4+	Channel 4, half bridge plus, Power Supply
46	OUT4+	Channel 4, half bridge plus, Output
47	OUT4+	Channel 4, half bridge plus, Output
48	FB4+	Channel 4, half bridge plus, Feedback
49	TAB	Device slug connection
50	GND4+	Channel 4, half bridge plus, Power Ground

Table 2. Pins list description (continued)

N#	Pin	Function
51	CD/Diag	Clipping detector and diagnostic output pin: – Overcurrent protection intervention – Thermal warning – Offset detection
52	I2Cclk	I2C Clock
53	I2Cdata	I2C Data
54	I2Sdata2	I2S/TDM Data input 2
55	I2Sdata1	I2S/TDM Data input 1
56	I2Sclk	I2S/TDM Clock input
57	I2Sws	I2S/TDM Sinc input
58	Agnd	Analog ground
59	AVdd	Analog supply
60	AGSVR	Negative Analog Supply V(SVR)-2.5V (Internally generated)
61	A5VSVR	Positive Analog Supply V(SVR)+2.5V (Internally generated)
62	SVR	Supply Voltage Ripple Rejection Capacitor
63	$\overline{\text{HWMute}}$	Hardware mute pin
64	GND2+	Channel 2, half bridge plus, Power Ground

2 General introduction

FDA801 is a fully digital single chip class D amplifier with high immunity to the demodulation filter effects. The high integration level and the on-board signal processing allow excellent audio performance to be achieved.

Thanks to the digital input and to the feedback strategy in the power stage that make the amplifier immune from the output filter components non-linearity, the number and size of the external components are minimized.

A number of features are included to reduce EMI and the fully digital approach provides a strong GSM immunity.

FDA801 includes: digital I²C and I²S interfaces, internal 24 bits DAC conversion, digital signal processing for interpolation and noise shaping, innovative self-diagnostic functions and automatic detection of wrong load connections or variation of the load, internal PLL for a clock generation.

3 Package information

In order to meet environmental requirements, ST offers these devices in different grades of ECOPACK® packages, depending on their level of environmental compliance. ECOPACK® specifications, grade definitions and product status are available at: www.st.com.

ECOPACK® is an ST trademark.

3.1 LQFP64 (10x10x1.4 mm exp. pad up) package information

Figure 3. LQFP64 (10x10x1.4 mm exp. pad up) package outline

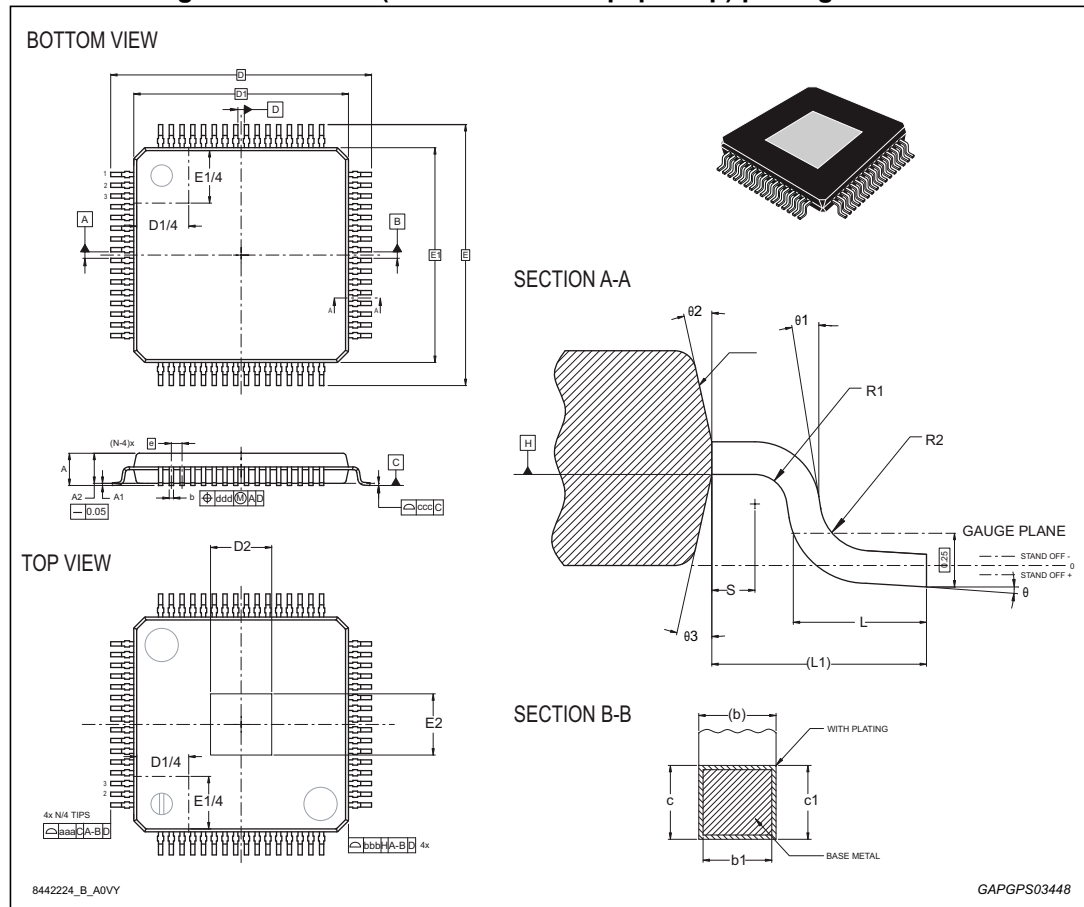


Table 3. LQFP64 (10x10x1.4 mm exp. pad up) package mechanical data

Ref	Dimensions					
	Millimeters			Inches ⁽¹⁾		
	Min.	Typ.	Max.	Min.	Typ.	Max.
θ	0°	3.5°	6°	0°	3.5°	6°
θ1	0°	9°	12°	0°	9°	12°
θ2	11°	12°	13°	11°	12°	13°
θ3	11°	12°	13°	11°	12°	13°
A	-	-	1.49	-	-	0.0587
A1	-0.04	-	0.04	-0.0016	-	0.0016
A2	1.35	1.4	1.45	0.0531	0.0551	0.0571
b	-	-	0.255	-	-	0.0100
b1	0.17	0.20	0.23	0.0067	0.0079	0.0091
c	0.09	-	0.20	0.0035	-	0.0079
c1	0.09	-	0.16	0.0035	-	0.0063
D	-	12.00	-	-	0.4724	-
D1 ⁽²⁾	-	10.00	-	-	0.3937	-
D2 ⁽³⁾	-	6.00	-	-	0.2362	-
e	-	0.50	-	-	0.0197	-
E	-	12.00	-	-	0.4724	-
E1 ⁽²⁾	-	10.00	-	-	0.3937	-
E2 ⁽³⁾	-	6.00	-	-	0.2362	-
L	0.45	0.60	0.75	0.0177	0.0236	0.0295
L1	-	1.00	-	-	0.0394	-
N	-	64.00	-	-	2.5197	-
R1	0.08	-	-	0.0031	-	-
R2	0.08	-	0.20	0.0031	-	0.0079
S	0.20	-	-	0.0079	-	-
aaa	-	0.20	-	-	0.0079	-
bbb	-	0.20	-	-	0.0079	-
ccc	-	0.08	-	-	0.0031	-
ddd	-	0.08	-	-	0.0031	-

1. Values in inches are converted from mm and rounded to 4 decimal digits.
2. Dimensions D1 and E1 do not include mold flash or protrusions. Allowable mold flash or protrusion is "0.25 mm" per side.
3. The optional exposed pad is generally coincident with the top or bottom side of the package and not allowed to protrude beyond that surface.

4 Revision history

Table 4. Document revision history

Date	Revision	Changes
13-Nov-2015	1	Initial release.

IMPORTANT NOTICE – PLEASE READ CAREFULLY

STMicroelectronics NV and its subsidiaries (“ST”) reserve the right to make changes, corrections, enhancements, modifications, and improvements to ST products and/or to this document at any time without notice. Purchasers should obtain the latest relevant information on ST products before placing orders. ST products are sold pursuant to ST’s terms and conditions of sale in place at the time of order acknowledgement.

Purchasers are solely responsible for the choice, selection, and use of ST products and ST assumes no liability for application assistance or the design of Purchasers’ products.

No license, express or implied, to any intellectual property right is granted by ST herein.

Resale of ST products with provisions different from the information set forth herein shall void any warranty granted by ST for such product.

ST and the ST logo are trademarks of ST. All other product or service names are the property of their respective owners.

Information in this document supersedes and replaces information previously supplied in any prior versions of this document.

© 2015 STMicroelectronics – All rights reserved





Компания «ЭлектроПласт» предлагает заключение долгосрочных отношений при поставках импортных электронных компонентов на взаимовыгодных условиях!

Наши преимущества:

- Оперативные поставки широкого спектра электронных компонентов отечественного и импортного производства напрямую от производителей и с крупнейших мировых складов;
- Поставка более 17-ти миллионов наименований электронных компонентов;
- Поставка сложных, дефицитных, либо снятых с производства позиций;
- Оперативные сроки поставки под заказ (от 5 рабочих дней);
- Экспресс доставка в любую точку России;
- Техническая поддержка проекта, помощь в подборе аналогов, поставка прототипов;
- Система менеджмента качества сертифицирована по Международному стандарту ISO 9001;
- Лицензия ФСБ на осуществление работ с использованием сведений, составляющих государственную тайну;
- Поставка специализированных компонентов (Xilinx, Altera, Analog Devices, Intersil, Interpoint, Microsemi, Aeroflex, Peregrine, Syfer, Eurofarad, Texas Instrument, Miteq, Cobham, E2V, MA-COM, Hittite, Mini-Circuits, General Dynamics и др.);

Помимо этого, одним из направлений компании «ЭлектроПласт» является направление «Источники питания». Мы предлагаем Вам помощь Конструкторского отдела:

- Подбор оптимального решения, техническое обоснование при выборе компонента;
- Подбор аналогов;
- Консультации по применению компонента;
- Поставка образцов и прототипов;
- Техническая поддержка проекта;
- Защита от снятия компонента с производства.



Как с нами связаться

Телефон: 8 (812) 309 58 32 (многоканальный)

Факс: 8 (812) 320-02-42

Электронная почта: org@eplast1.ru

Адрес: 198099, г. Санкт-Петербург, ул. Калинина, дом 2, корпус 4, литера А.