

# Power Optocoupler Terminal Block up to 10 A DEK-OV...

---

## 1. Brief Description

The Phoenix Contact Interface DEK terminals offer complete interface functions in terminal block housings with a width of only 6.2 mm (0.244 in.) These powerful interfaces do not only share the design of the terminal blocks but also their highly convenient application due to the use of standard terminal accessories.

The DEK family offers the suitable solution for every industrial voltage value for signal input as well as output.

High switching power is a standard feature of DEK-OV optocoupler terminals.

For applications with high switching frequency where electro-mechanical relays rapidly reach the end of their service life you can now apply the wear-resistant power optocoupler DEK-OV terminal block.

Integrated LEDs clearly signal the switching state of electronic terminal blocks and thus create a very good overview of the coupling level and the system.

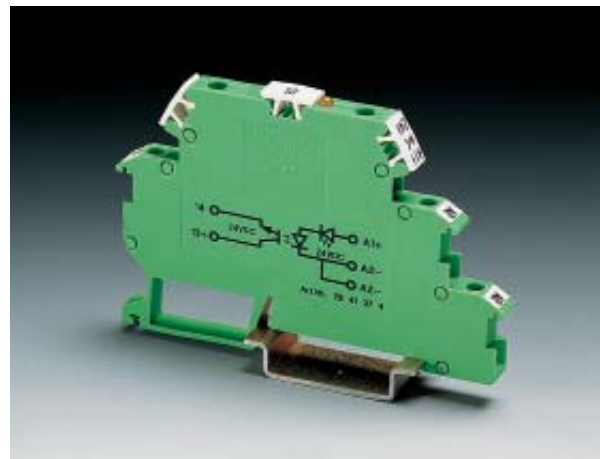
Due to colored EB-DIK jumpering, terminals for supply and measuring signals the wiring is easy and efficient.

Integrated protection circuits such as free-wheeling diodes, diodes against polarity reversal and surge voltage elements protect coupling components and thus provide optimum system availability.

### Powerful Optocoupler Terminals

Powerful interface modules are required to switch actuators and controlling devices such as contactors, solenoid valves or motors directly using cost-efficient digital output cards (low power, no galvanic isolation but high-pos.).

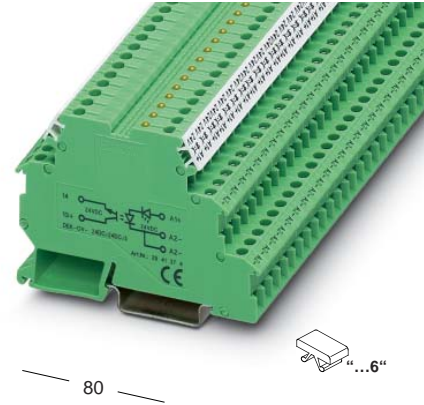
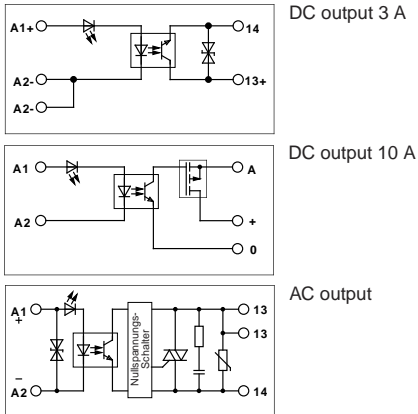
The Phoenix Contact DEK-OV interface terminals offer a complete output interface based on terminal blocks with a width of only 6.2 mm (0.244 in.).



The key features of this power optocoupler include:

- Wear-resistant switching up to 24 V DC/10 A and 240 V AC/800 mA,
- Status display per LED,
- Galvanic isolation between input and output 2,5 kV,
- integrated protective circuit at the output,
- Zero voltage switch at AC output,
- Assembly and labeling is the same as for terminal blocks,
- Jumpering with the EB-DIK jumpers,
- Ambient temperature range – 20 °C (-40°F) up to + 60 °C (140°F),
- Also available as actuator type.

## 2. Technical Data



### DEK-OV...

Output up to 10 A max.



	solid [mm <sup>2</sup> ]	stranded	AWG
Connection data	0.2-2.5	0.2-2.5	24-14

Terminal width 6.2 mm (0.244 in.)

Description	Input voltage
<b>Power optocoupler terminal block,</b> Input: Common mode voltage output: Common mode voltage	5 V DC 12 V DC 24 V DC
<b>Power optocoupler terminal block, acutator principle,</b> Input: Common mode voltage Output: Common mode voltage	24 V DC
<b>Power optocoupler terminal block,</b> Input: Common mode voltage output: AC voltage	5 V DC 12 V DC 24 V DC
(1) <b>Insertion jumper<sup>1)</sup></b> , for average and lower level	Color: Red 2-pos. Red 3-pos. Red 4-pos. Red 5-pos. Red 10-pos.  blue 2-pos. blue 3-pos. blue 4-pos. blue 5-pos. blue 10-pos.
Can be disconnected	blue 80-pos. Red 80-pos. white 80-pos.

Type	Order No.	Pcs. pkt.
<b>DEK-OV- 5DC/24DC/3</b>	29 41 36 1	10
<b>DEK-OV-12DC/24DC/3</b>	29 41 38 7	10
<b>DEK-OV-24DC/24DC/3</b>	29 41 37 4	10
<b>DEK-OV- 5DC/24DC/10</b>	29 61 75 2	10
<b>DEK-OV-12DC/24DC/10</b>	29 61 74 9	10
<b>DEK-OV-24DC/24DC/10</b>	29 64 32 2	10
<b>DEK-OV-24DC/24DC/3/AKT</b>	29 64 29 6	10
<b>DEK-OV- 5DC/240AC/800</b>	29 64 62 3	10
<b>DEK-OV-12DC/240AC/800</b>	29 64 63 6	10
<b>DEK-OV-24DC/240AC/800</b>	29 64 64 9	10
<b>EB 2-DIK RD</b>	$I_{max}$ : 26 A	27 16 69 3
<b>EB 3-DIK RD</b>	26 A	27 16 74 5
<b>EB 4-DIK RD</b>	26 A	27 16 75 8
<b>EB 5-DIK RD</b>	26 A	27 16 76 1
<b>EB 10-DIK RD</b>	26 A	27 16 77 4
<b>EB 2-DIK BU</b>	26 A	27 16 64 8
<b>EB 3-DIK BU</b>	26 A	27 16 65 1
<b>EB 4-DIK BU</b>	26 A	27 16 66 4
<b>EB 5-DIK BU</b>	26 A	27 16 67 7
<b>EB 10-DIK BU</b>	26 A	27 16 68 0
<b>EB 80-DIK BU</b>	26 A	27 15 94 0
<b>EB 80-DIK RD</b>	26 A	27 15 95 3
<b>EB 80-DIK WH</b>	26 A	27 15 78 8

# Power Optocoupler Terminal Blocks up to 10 A – DEK-OV

## Technical Data

### Input data (Input)

Operating voltage range [V DC]  $\pm 20\%$   
 Switching level 1-signal ("H")  
 0-signal ("L")  
 Current at nominal voltage [mA]  
 Transmission frequency  $f_{limit}$  [Hz] (ohmic load)  
 Input wiring

### DC 3 A

5 12 24  
 $0.8 \times U_N$   
 $0.4 \times U_N$

### DC 10 A

5 12 24  
 5 5 4

### AC

5 12 24  
 10 11 11  
 10

Operating indicator (LED yellow), protection against polarity reversal (10 A and AC type surge voltage protection)

### Output data (Output)

Operating voltage range  
 Periodical peak off-state voltage  
 Maximum continuous load current  
 Minimum load current  
 Surge current  
 Residual voltage at maximum load current  
 Leakage in the off-state  
 Max. phase shift (inductive load)  
 $I^2t$  value  $I^2 \times t$  (t = 10 ms)  
 Switching time  $t_{on}/t_{off}$   
 Output circuit

3... 30 V DC	5... 30 V DC	10-253 V AC, 50/60 Hz
–	–	600 V
3 A (see 'Derating')	10 A (see 'Derating')	0.8 A (see 'Derating')
–	–	10 mA
–	–	30 A (t = 10 ms)
Approx. 0.2 V	< 50 mV	< 1 V
–	–	1.2 mA
–	–	$\cos\varphi = 0.5$
–	–	$4.5 A^2s$
Approx. 40 $\mu s$ /200 $\mu s$	ca. 250 $\mu s$ /800 $\mu s$	< 10 ms
2-wire - floating	2-wire - linked to the ground	2-wire - floating, zero voltage switch

Protection against polarity reversal, surge voltage protection RCV wiring

Output wiring

### General Data

Test voltage input/output  
 Ambient operating temperature range  
 Standards/specifications

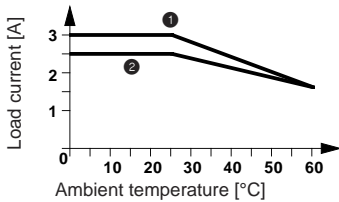
2.5 kV AC, 50 Hz, 1 minute  
 - 20 °C to +60°C (-4°F to +131°F)  
 IEC 60 664/IEC 60 664 A/DIN VDE 0110,  
 Pollution degree 2, surge voltage protection category III  
 Any  
 can be connected without distance  
 Screw connection

Mounting position  
 Mounting  
 Connection type

<sup>1)</sup> Please observe the maximum current carrying capacity of the jumper and the number of connected inputs and outputs. The supply must only be provided directly at the insertion jumper.

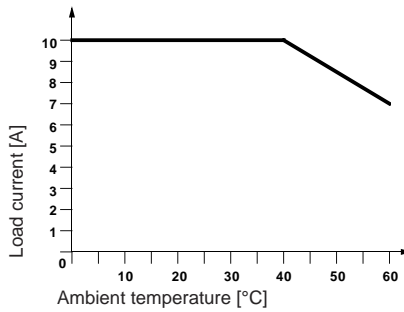
<sup>2)</sup> other voltage values on request.

**Load current independent of the ambient temperature for DEK-OV-.../24DC/3 and DEK-OV-24DC/24DC/3/AKT,**  
 Nominal operating mode 100 % ED

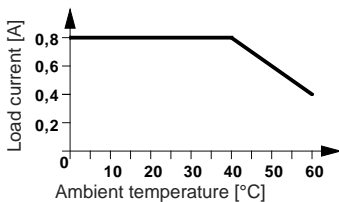


- ① Mounting, horizontal
- ② Mounting, vertical

**Load current depending on the ambient temperature for DEK-OV-.../24DC/10**  
 Nominal operating mode 100 % ED



**Load current independent of the ambient temperature for DEK-OV-.../240AC/800,**  
 Nominal operating mode 100 % ED



### Note:

#### Types of insulating housings

**Polyamid PA, not reinforced,** see INTERFACE catalog  
 Color: Green

**Torque for terminal block screw see INTERFACE catalog.**

**Marking system and assembly material see CLIPLINE catalog.**

**The dimensioning cross section (see INTERFACE catalog) is meant for unstripped wires without ferrules.**

**Inductive loads must be limited to protect input and output with an effective protective circuit.**

**Items printed in bold can be supplied at short notice!**



Компания «ЭлектроПласт» предлагает заключение долгосрочных отношений при поставках импортных электронных компонентов на взаимовыгодных условиях!

Наши преимущества:

- Оперативные поставки широкого спектра электронных компонентов отечественного и импортного производства напрямую от производителей и с крупнейших мировых складов;
- Поставка более 17-ти миллионов наименований электронных компонентов;
- Поставка сложных, дефицитных, либо снятых с производства позиций;
- Оперативные сроки поставки под заказ (от 5 рабочих дней);
- Экспресс доставка в любую точку России;
- Техническая поддержка проекта, помощь в подборе аналогов, поставка прототипов;
- Система менеджмента качества сертифицирована по Международному стандарту ISO 9001;
- Лицензия ФСБ на осуществление работ с использованием сведений, составляющих государственную тайну;
- Поставка специализированных компонентов (Xilinx, Altera, Analog Devices, Intersil, Interpoint, Microsemi, Aeroflex, Peregrine, Syfer, Eurofarad, Texas Instrument, Miteq, Cobham, E2V, MA-COM, Hittite, Mini-Circuits, General Dynamics и др.);

Помимо этого, одним из направлений компании «ЭлектроПласт» является направление «Источники питания». Мы предлагаем Вам помощь Конструкторского отдела:

- Подбор оптимального решения, техническое обоснование при выборе компонента;
- Подбор аналогов;
- Консультации по применению компонента;
- Поставка образцов и прототипов;
- Техническая поддержка проекта;
- Защита от снятия компонента с производства.



#### Как с нами связаться

**Телефон:** 8 (812) 309 58 32 (многоканальный)

**Факс:** 8 (812) 320-02-42

**Электронная почта:** [org@eplast1.ru](mailto:org@eplast1.ru)

**Адрес:** 198099, г. Санкт-Петербург, ул. Калинина, дом 2, корпус 4, литера А.