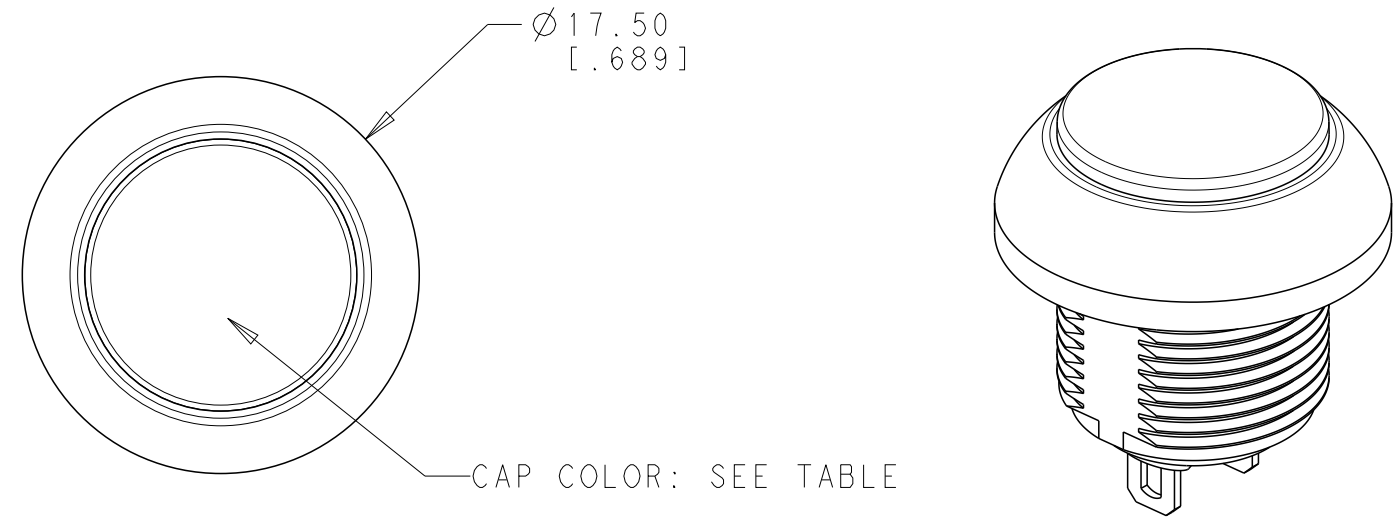


THIS DRAWING IS UNPUBLISHED. RELEASED FOR PUBLICATION  
 © COPYRIGHT copyright.d8te- ALL RIGHTS RESERVED.

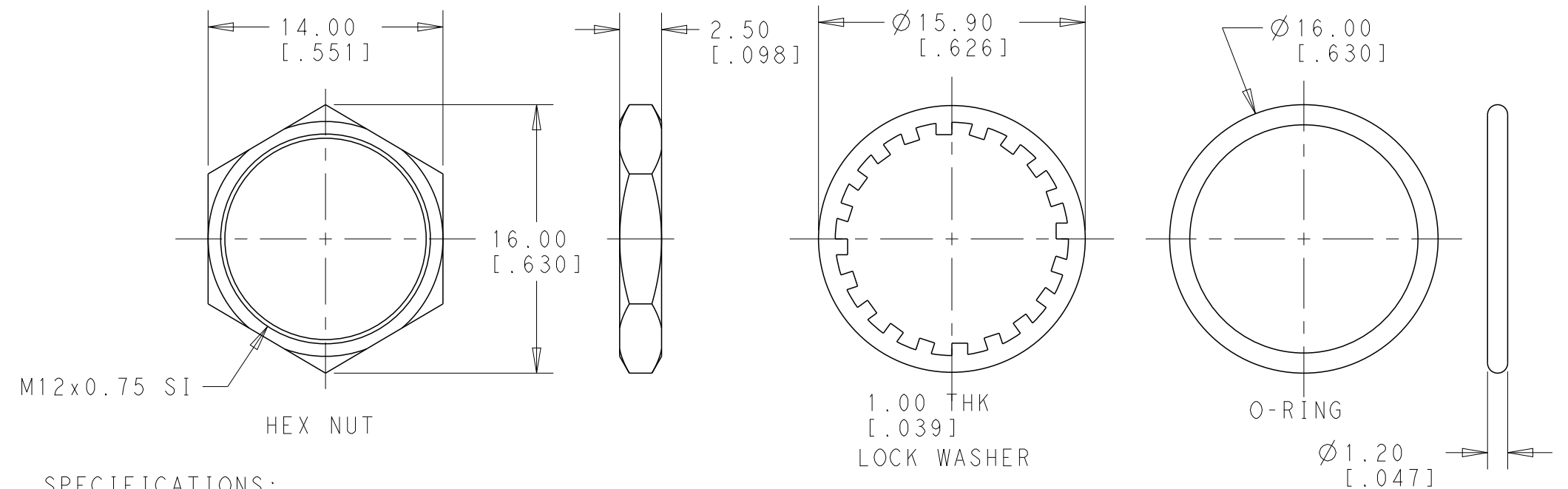
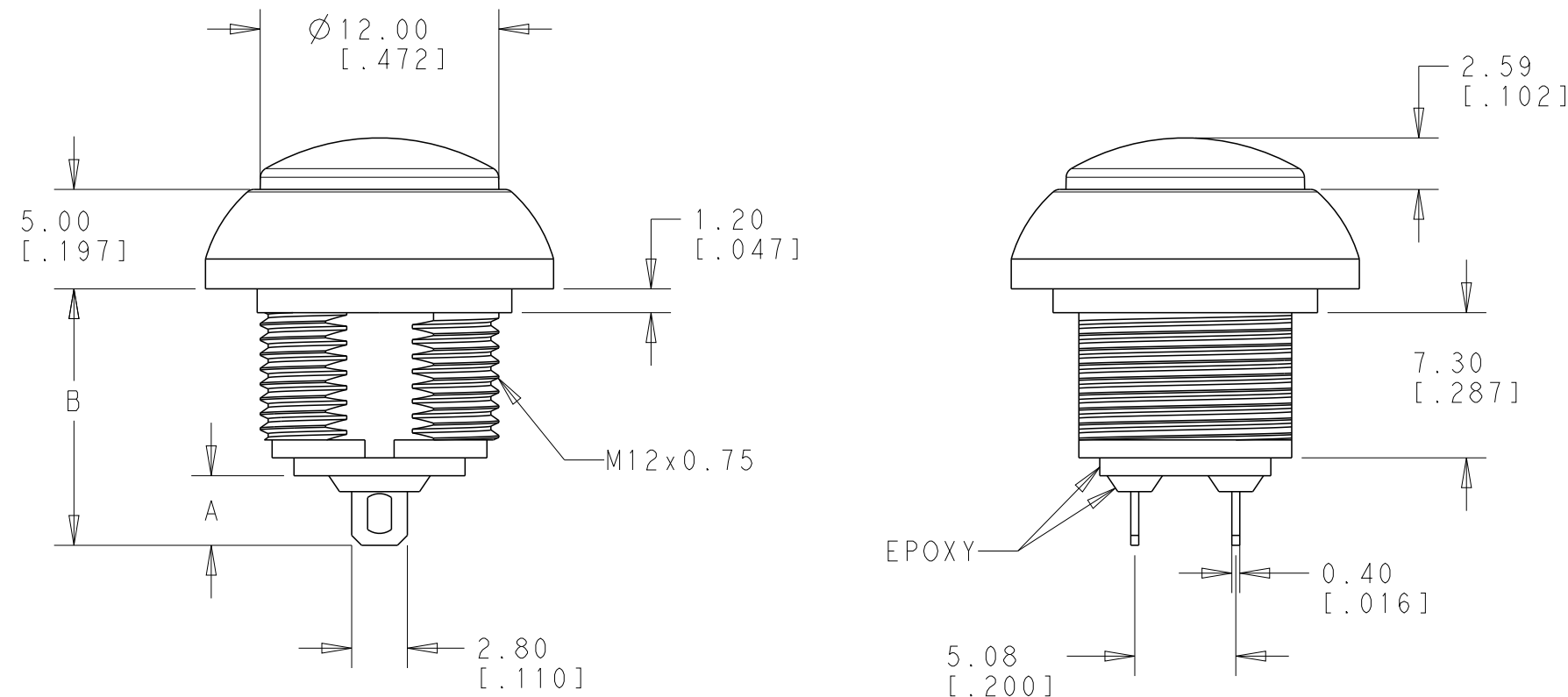
| REVISIONS |     |             |           |          |
|-----------|-----|-------------|-----------|----------|
| P         | LTR | DESCRIPTION | DATE      | DWN APVD |
| 1         |     | NEW DRAWING | 22FEB2018 | RS AS    |



SOLDER TO WIRE  
OFF-(ON)

| Model No.           | POS. 1 | POS. 2  |
|---------------------|--------|---------|
|                     |        |         |
| PB6                 | OFF    | MOM(ON) |
| CONNECTED TERMINALS | OPEN   | CLOSE   |
| SCHEMATIC           |        |         |

SWITCH FUNCTION



**SPECIFICATIONS:**  
 MAXIMUM CURRENT/VOLTAGE RATING WITH RESISTIVE LOAD:  
 400mA 32VAC, 200mA 50VDC, 125mA 125VAC

**MATERIALS:**  
 CAP: POLYAMIDE 6/6  
 PLUNGER: POLYAMIDE 6/6 OR POLYCARBONATE  
 RUBBER: SILICONE  
 BUSHING: POLYAMIDE 6/6  
 CASE: DIALLYL PHTHALATE (DAP) (UL94 V-0)  
 TERMINALS/CONTACTS: COPPER ALLOY, GOLD OVER SILVER PLATED  
 HEX NUT: BRASS, NICKEL PLATED (1)  
 LOCK WASHER: BRASS, NICKEL PLATED (1)  
 O-RING: SILICONE (1)  
 SPRING: STEEL

INITIAL CONTACT RESISTANCE: 50mΩ MAXIMUM  
 INSULATION RESISTANCE: 1 GΩ MINIMUM AT 500 VDC  
 DIELECTRIC STRENGTH: 1,500 VAC RMS  
 CONTACT BOUNCE: 10ms  
 ELECTRICAL LIFE AT FULL LOAD: 500,000 CYCLES  
 MECHANICAL LIFE: 1,000,000 CYCLES  
 TOTAL TRAVEL: 1.5 (.059)  
 ACTUATION FORCE: 3 TO 6N  
 OPERATING TEMPERATURE: -30° TO 85° C  
 DEGREE OF PROTECTION: IP68, 1 HOUR @ 1 METER  
 TORQUE: 0.5N·m MAXIMUM APPLIED TO NUT

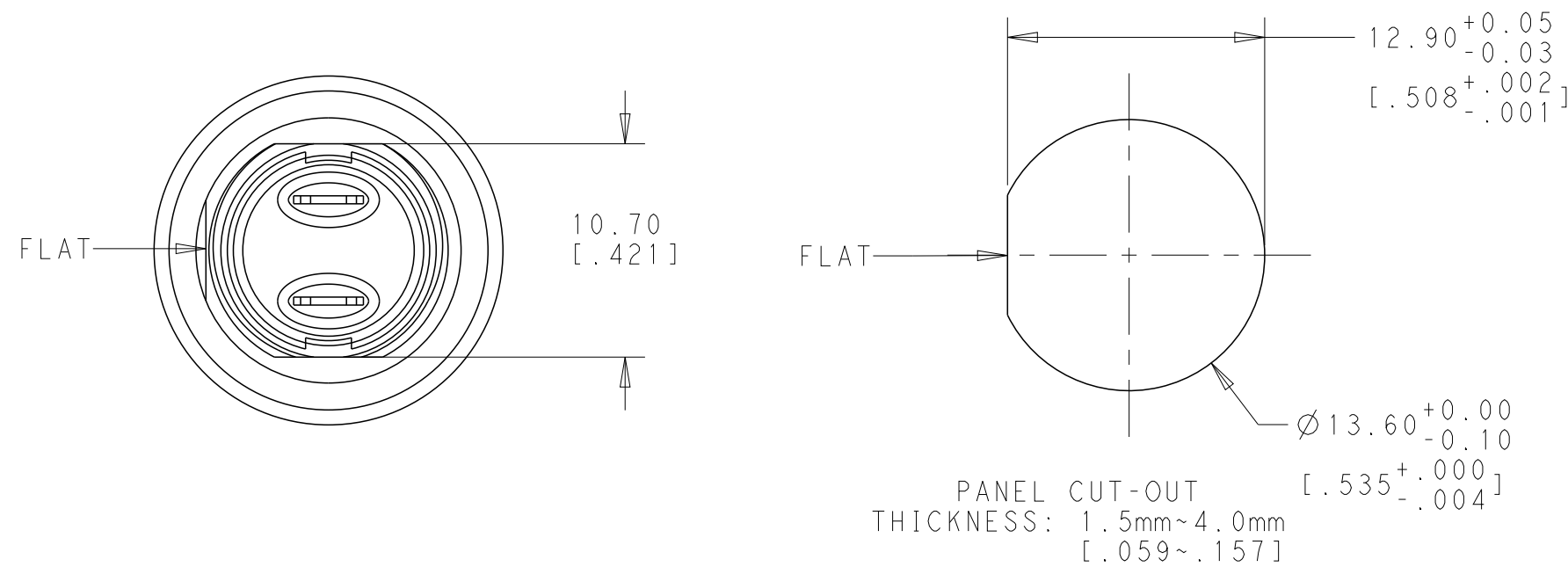
**PACKAGING:**  
 SWITCHES ARE PACKAGED IN TRAYS. HARDWARE IS NOT ASSEMBLED TO THE SWITCH.

**COMPLIANCE:**  
 ALL MATERIALS AND FINISHES SHALL COMPLY WITH EU DIRECTIVE 2002/95/EC OF 27JAN2003(RoHS)

**SOLDER PROCESSING:**  
 MANUAL SOLDERING: SOLDER IRON, 30 WATTS, CONTROLLED AT 350° C, APPROXIMATELY 5 SECONDS WHILE APPLYING SOLDER.

**WAVE SOLDERING:**  
 260+/-5° C, 5 SECONDS MAXIMUM DURATION, PCB THICKNESS 1.6MM  
 110°C MAXIMUM AMBIENT TEMPERATURE OF THE SOLDER SURFACE OF THE PC BOARD.

1. HARDWARE IS SHIPPED UNASSEMBLED.

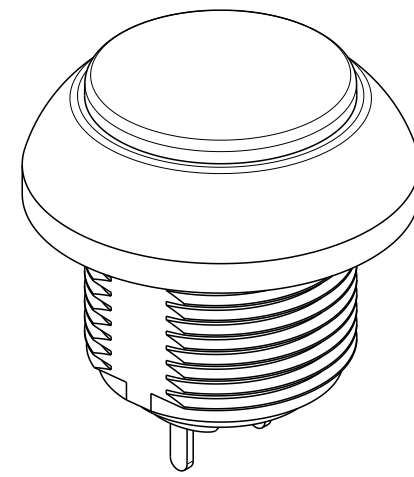
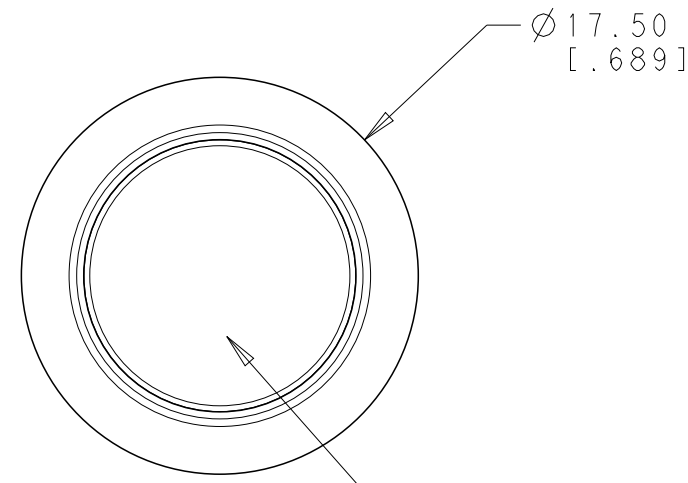


|  |  |                  |                  |   |
|--|--|------------------|------------------|---|
| THIS DRAWING IS A CONTROLLED DOCUMENT. |  | DWN              | 22FEB2018        | <b>DELIMITARY</b>   |
| DIMENSIONS: mm [INCHES]                |  | CHK              | 22FEB2018        |   |
| TOLERANCES UNLESS OTHERWISE SPECIFIED: |  | APVD             | 22FEB2018        |   |
| 0 PLC ±                                |  | NAME             | ALEXANDER SHARPE |   |
| 1 PLC ±0.4 [0.016]                     |  | PRODUCT SPEC     | -                | SWITCH, PUSHBUTTON, ROUND CAP<br>NO LED, SOLDER TERMINATION, SEALED,<br>OFF-(ON) AND ON-(OFF) |
| 2 PLC ±0.25 [0.010]                    |  | APPLICATION SPEC | -                |   |
| 3 PLC ±                                |  | SIZE             | A200779          | RESTRICTED TO   |
| 4 PLC ±                                |  | CAGE CODE        | C-2329360        |   |
| ANGLES ±5°                             |  | DRAWING NO       | G-2329360        | SCALE 4:1 SHEET 1 OF 4 REV 1  |
| FINISH -                               |  | WEIGHT           | -                |   |
| MATERIAL -                             |  | CUSTOMER DRAWING | -                |   |

THIS DRAWING IS UNPUBLISHED. RELEASED FOR PUBLICATION  
 © COPYRIGHT copyright dbTe- ALL RIGHTS RESERVED.

| REVISIONS |     |             |      |      |
|-----------|-----|-------------|------|------|
| P         | LTR | DESCRIPTION | DATE | APVD |
| -         | -   | SEE SHEET 1 | -    | -    |

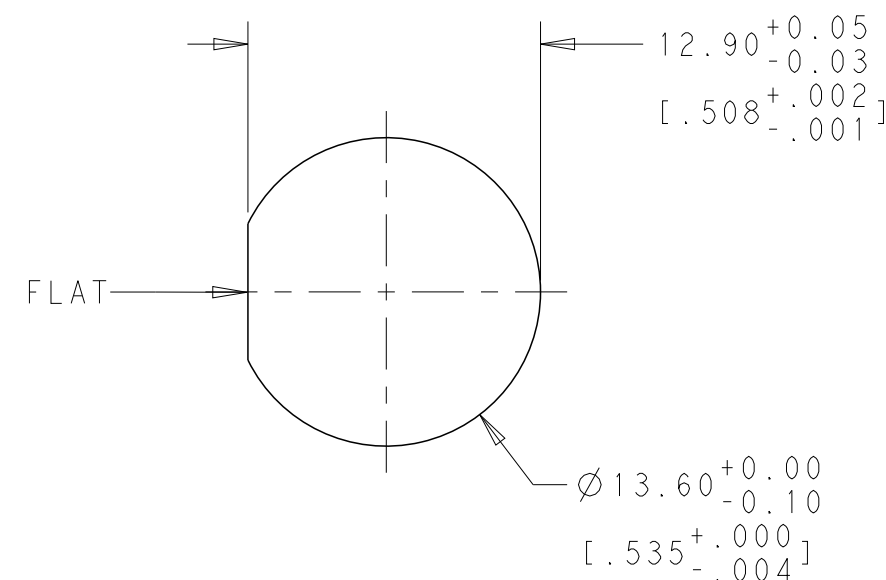
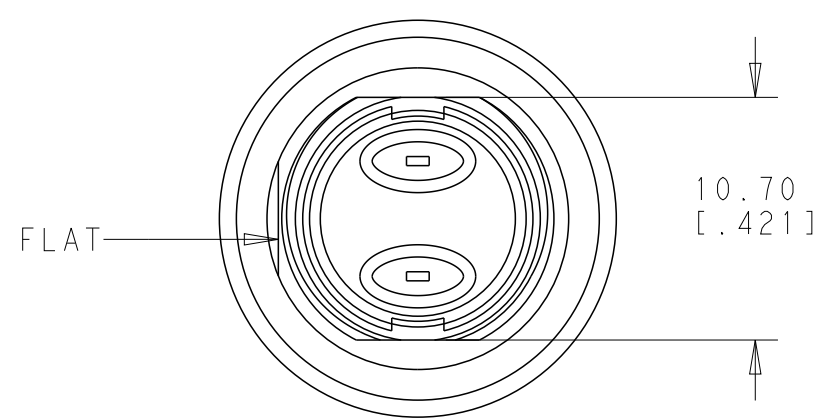
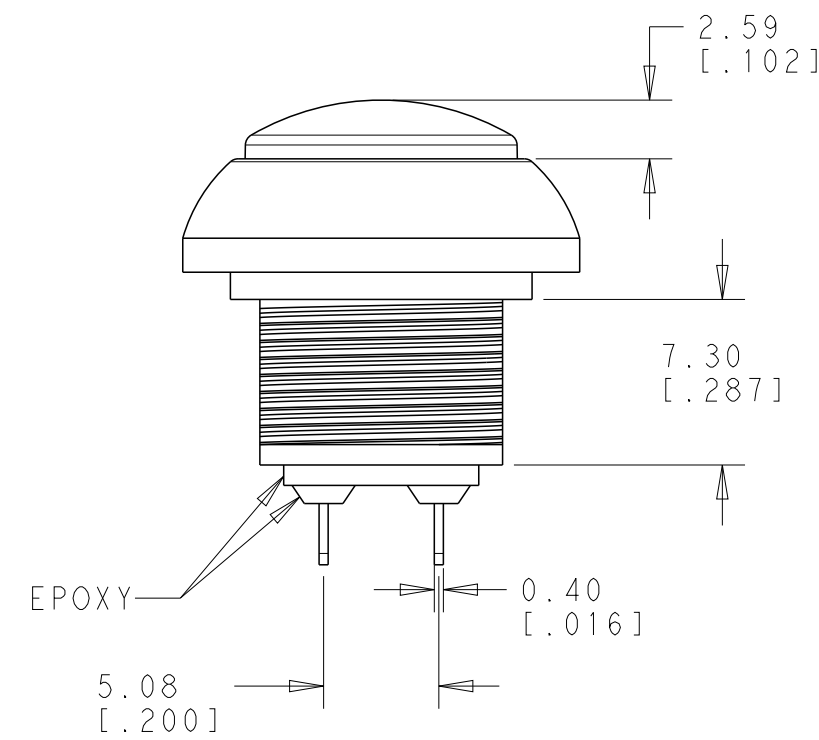
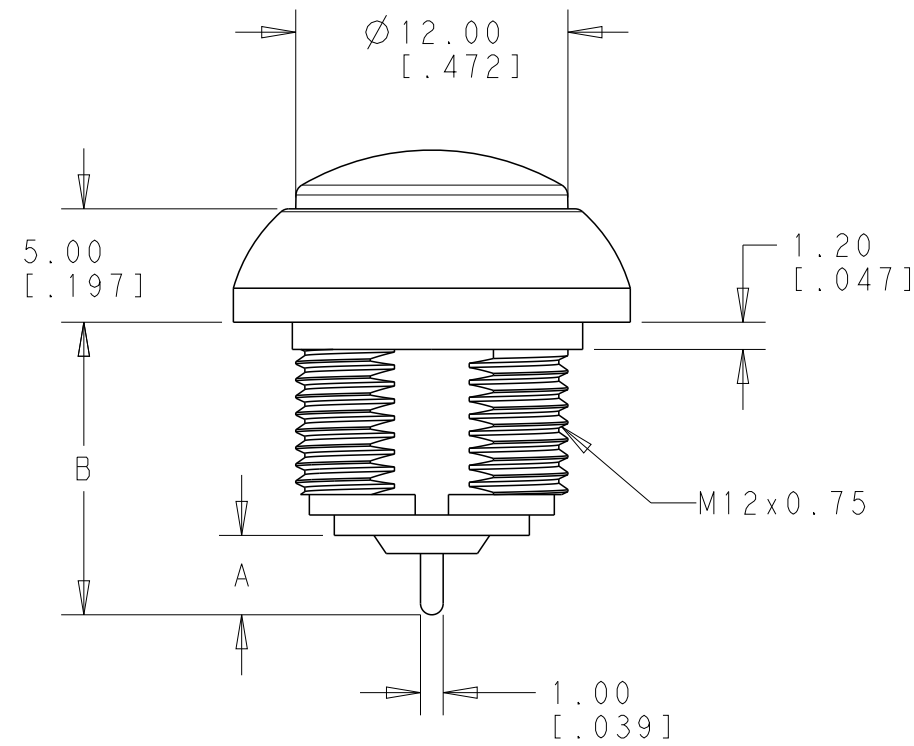
SOLDER TO PCB  
OFF - (ON)



CAP COLOR: SEE TABLE

| Model No.           | POS. 1 | POS. 2   |
|---------------------|--------|----------|
|                     |        |          |
| PB6                 | OFF    | MOM (ON) |
| CONNECTED TERMINALS | OPEN   | CLOSE    |
| SCHEMATIC           |        |          |

SWITCH FUNCTION



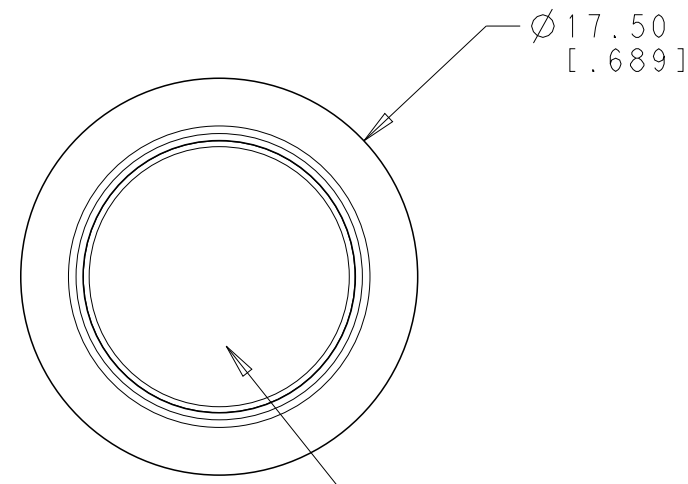
PANEL CUT-OUT  
THICKNESS: 1.5mm~4.0mm  
[.059~.157]

|  |  |                                       |   |  |
|--|--|---------------------------------------|---|--|
| THIS DRAWING IS A CONTROLLED DOCUMENT. |  | DWN<br>RAVLS<br>22FEB2018             | TE Connectivity   |  |
| DIMENSIONS:<br>mm [INCHES]             |  | CHK<br>ALEXANDER SHARPE<br>22FEB2018  |   |  |
| TOLERANCES UNLESS OTHERWISE SPECIFIED: |  | APVD<br>ALEXANDER SHARPE<br>22FEB2018 | NAME<br>SWITCH, PUSHBUTTON, ROUND CAP<br>NO LED, SOLDER TERMINATION, SEALED,<br>OFF-(ON) AND ON-(OFF) |  |
| 0 PLC ±                                |  | PRODUCT SPEC                          | SIZE  |  |
| 1 PLC ±0.4 [.016]                      |  | APPLICATION SPEC                      | CAGE CODE   |  |
| 2 PLC ±0.25 [.010]                     |  | WEIGHT                                | DRAWING NO  |  |
| 3 PLC ±                                |  | CUSTOMER DRAWING                      | A200779   |  |
| 4 PLC ±                                |  | SCALE 4:1                             | SHEET 2 OF 4  |  |
| ANGLES ±5°                             |  | REV 1                                 |   |  |
| FINISH                                 |  | RESTRICTED TO                         |   |  |

THIS DRAWING IS UNPUBLISHED. RELEASED FOR PUBLICATION  
 © COPYRIGHT copyright.d8te- ALL RIGHTS RESERVED.

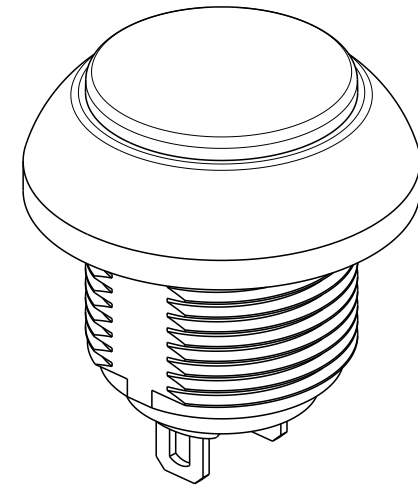
| REVISIONS |     |             |      |      |
|-----------|-----|-------------|------|------|
| P         | LTR | DESCRIPTION | DATE | APVD |
| -         | -   | SEE SHEET 1 | -    | -    |

SOLDER TO WIRE  
ON-(OFF)



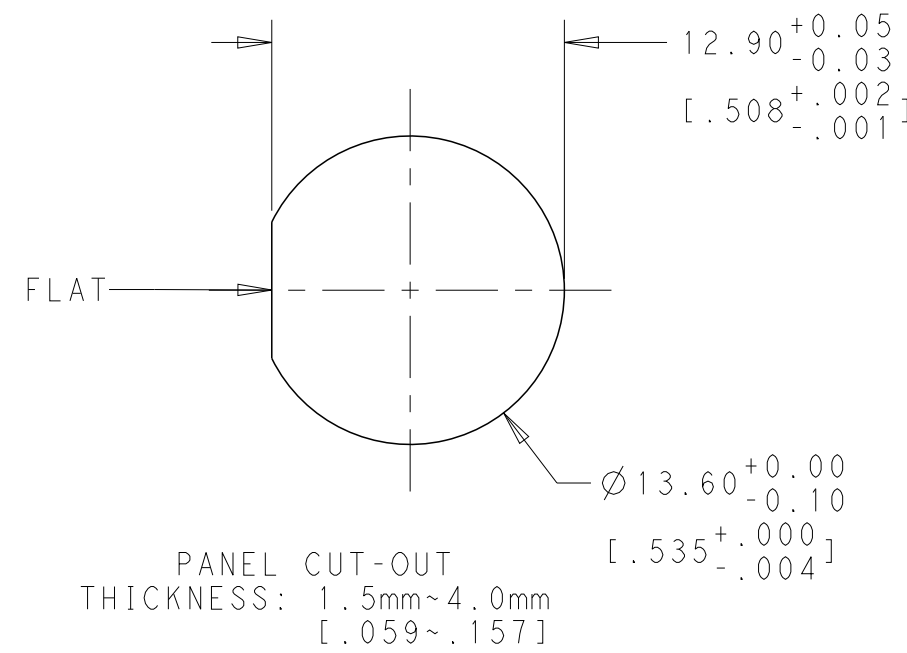
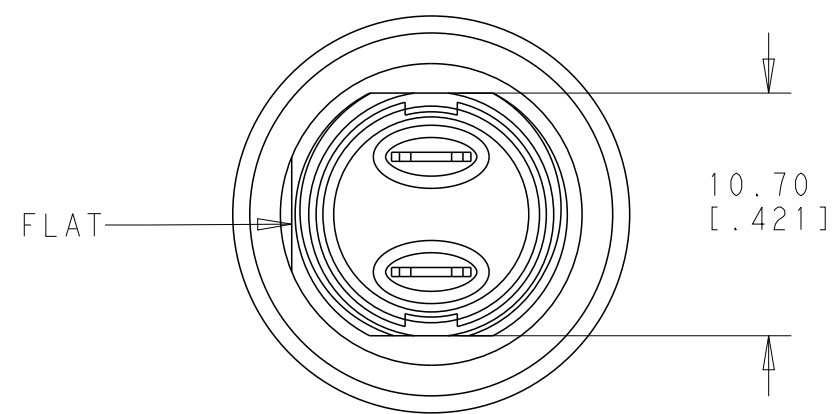
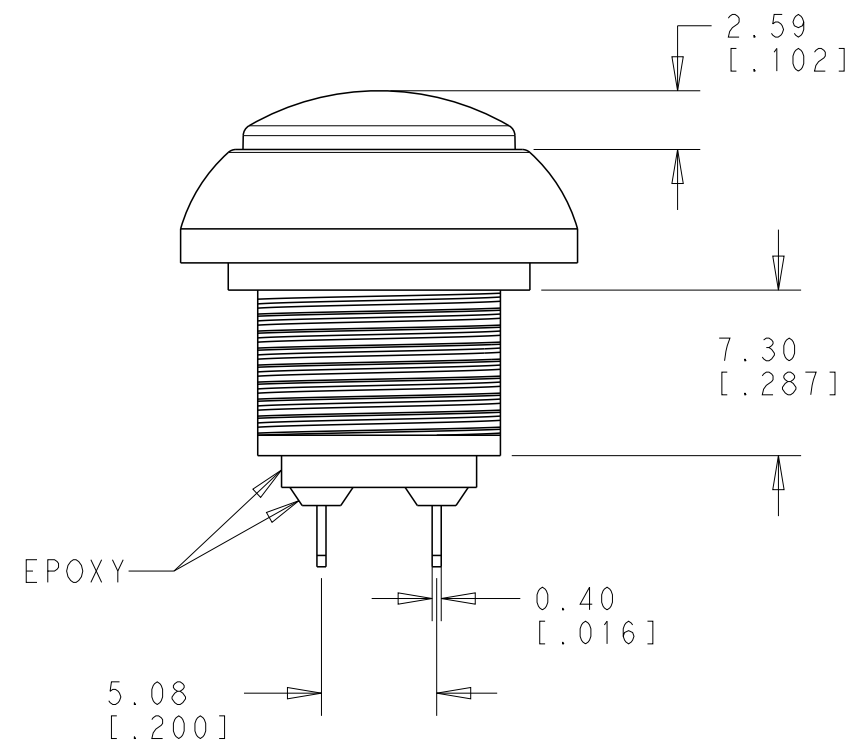
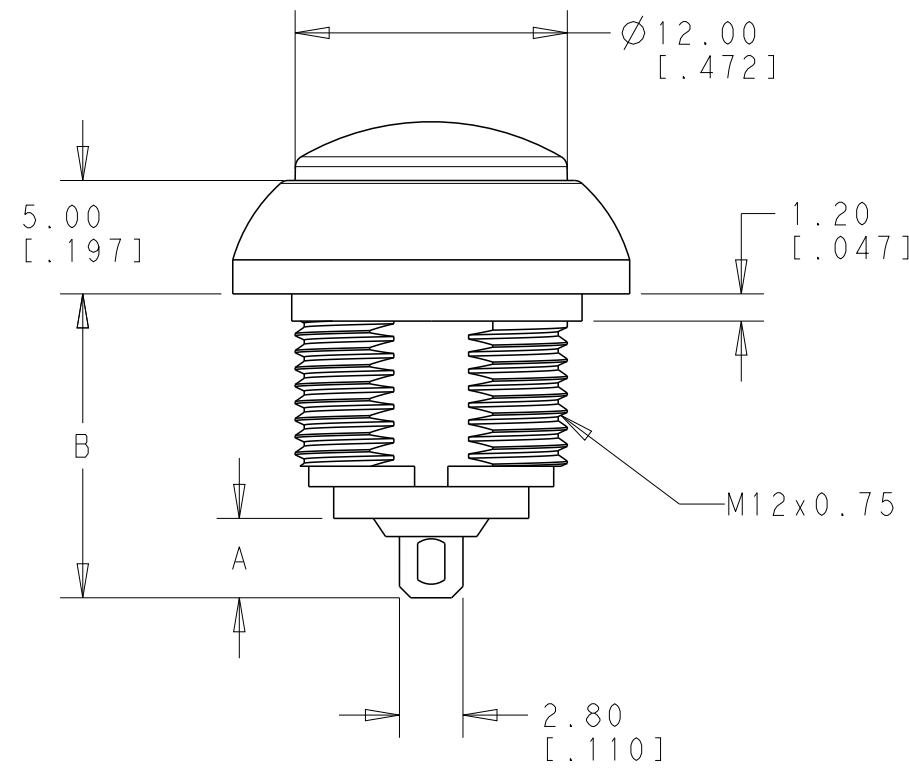
Ø 17.50  
[.689]

CAP COLOR: SEE TABLE



| Model No.           | POS. 1 | POS. 2   |
|---------------------|--------|----------|
|                     |        |          |
| PB7                 | ON     | MOM(OFF) |
| CONNECTED TERMINALS | CLOSE  | OPEN     |
| SCHEMATIC           |        |          |

SWITCH FUNCTION



|  |  |                                       |   |  |
|--|--|---------------------------------------|---|--|
| THIS DRAWING IS A CONTROLLED DOCUMENT. |  | DWN<br>RAVLS<br>22FEB2018             | TE Connectivity   |  |
| DIMENSIONS:<br>mm [INCHES]             |  | CHK<br>ALEXANDER SHARPE<br>22FEB2018  |   |  |
| TOLERANCES UNLESS OTHERWISE SPECIFIED: |  | APVD<br>ALEXANDER SHARPE<br>22FEB2018 | NAME<br>SWITCH, PUSHBUTTON, ROUND CAP<br>NO LED, SOLDER TERMINATION, SEALED,<br>OFF-(ON) AND ON-(OFF) |  |
| 0 PLC ±                                |  | PRODUCT SPEC                          | SIZE  |  |
| 1 PLC ±0.4 [.016]                      |  | APPLICATION SPEC                      | CAGE CODE   |  |
| 2 PLC ±0.25 [.010]                     |  | WEIGHT                                | DRAWING NO  |  |
| 3 PLC ±                                |  | CUSTOMER DRAWING                      | A200779   |  |
| 4 PLC ±                                |  | SCALE 4:1                             | SHEET 3 OF 4  |  |
| ANGLES ±5°                             |  | REV 1                                 |   |  |
| FINISH                                 |  |                                       |   |  |

THIS DRAWING IS UNPUBLISHED. RELEASED FOR PUBLICATION  
 © COPYRIGHT copyright.dBTe ALL RIGHTS RESERVED.

| REVISIONS |     |             |      |      |
|-----------|-----|-------------|------|------|
| P         | LTR | DESCRIPTION | DATE | APVD |
| -         | -   | SEE SHEET 1 | -    | -    |

| POLE            | THROW                  | DIMENSION B         | DIMENSION A, TERMINAL TYPE | CAP TYPE & COLOR    | LED COLOR | TE DESCRIPTIVE PART NUMBER | PART NUMBER |
|-----------------|------------------------|---------------------|----------------------------|---------------------|-----------|----------------------------|-------------|
| SINGLE POLE     | ON-(OFF) MOMENTARY     | 13.40<br>[.527]     | 3.40 [.134] SOLDER LUG     | ROUND, SHINY BLUE   | N/A       | PB7B2RS7M1CAL00            | 2-2329360-5 |
|                 |                        |                     |                            | ROUND, SHINY GREEN  | N/A       | PB7B2RS6M1CAL00            | 2-2329360-4 |
|                 |                        |                     |                            | ROUND, SHINY YELLOW | N/A       | PB7B2RS5M1CAL00            | 2-2329360-3 |
|                 |                        |                     |                            | ROUND, SHINY RED    | N/A       | PB7B2RS3M1CAL00            | 2-2329360-2 |
|                 |                        |                     |                            | ROUND, SHINY BLACK  | N/A       | PB7B2RS2M1CAL00            | 2-2329360-1 |
|                 | OFF-(ON) MOMENTARY     | 12.90<br>[.508]     | 3.50 [.138] SOLDER POST    | ROUND, SHINY BLUE   | N/A       | PB6B2RS7M4CAL00            | 2-2329360-0 |
|                 |                        |                     |                            | ROUND, SHINY GREEN  | N/A       | PB6B2RS6M4CAL00            | 1-2329360-9 |
|                 |                        |                     |                            | ROUND, SHINY YELLOW | N/A       | PB6B2RS5M4CAL00            | 1-2329360-8 |
|                 |                        |                     |                            | ROUND, SHINY RED    | N/A       | PB6B2RS3M4CAL00            | 1-2329360-7 |
|                 |                        |                     |                            | ROUND, SHINY BLACK  | N/A       | PB6B2RS2M4CAL00            | 1-2329360-6 |
|                 |                        |                     |                            | ROUND, SHINY BLUE   | N/A       | PB6B2RS7M3CAL00            | 1-2329360-5 |
|                 |                        |                     |                            | ROUND, SHINY GREEN  | N/A       | PB6B2RS6M3CAL00            | 1-2329360-4 |
|                 |                        |                     |                            | ROUND, SHINY YELLOW | N/A       | PB6B2RS5M3CAL00            | 1-2329360-3 |
|                 |                        | 17.60<br>[.693]     | 8.20 [.323] SOLDER LUG     | ROUND, SHINY RED    | N/A       | PB6B2RS3M3CAL00            | 1-2329360-2 |
|                 |                        |                     |                            | ROUND, SHINY BLACK  | N/A       | PB6B2RS2M3CAL00            | 1-2329360-1 |
|                 |                        |                     |                            | ROUND, SHINY BLUE   | N/A       | PB6B2RS7M2CAL00            | 1-2329360-0 |
|                 |                        |                     |                            | ROUND, SHINY GREEN  | N/A       | PB6B2RS6M2CAL00            | 2329360-9   |
|                 |                        |                     |                            | ROUND, SHINY YELLOW | N/A       | PB6B2RS5M2CAL00            | 2329360-8   |
|                 |                        |                     |                            | ROUND, SHINY RED    | N/A       | PB6B2RS3M2CAL00            | 2329360-7   |
|                 |                        |                     |                            | ROUND, SHINY BLACK  | N/A       | PB6B2RS2M2CAL00            | 2329360-6   |
| 14.90<br>[.587] | 5.50 [.217] SOLDER LUG | ROUND, SHINY BLUE   | N/A                        | PB6B2RS7M1CAL00     | 2329360-5 |                            |             |
|                 |                        | ROUND, SHINY GREEN  | N/A                        | PB6B2RS6M1CAL00     | 2329360-4 |                            |             |
|                 |                        | ROUND, SHINY YELLOW | N/A                        | PB6B2RS5M1CAL00     | 2329360-3 |                            |             |
|                 |                        | ROUND, SHINY RED    | N/A                        | PB6B2RS3M1CAL00     | 2329360-2 |                            |             |
|                 |                        | ROUND, SHINY BLACK  | N/A                        | PB6B2RS2M1CAL00     | 2329360-1 |                            |             |
| 12.90<br>[.508] | 3.50 [.138] SOLDER LUG | ROUND, SHINY BLUE   | N/A                        | PB6B2RS7M1CAL00     | 2329360-5 |                            |             |
|                 |                        | ROUND, SHINY GREEN  | N/A                        | PB6B2RS6M1CAL00     | 2329360-4 |                            |             |
|                 |                        | ROUND, SHINY YELLOW | N/A                        | PB6B2RS5M1CAL00     | 2329360-3 |                            |             |
|                 |                        | ROUND, SHINY RED    | N/A                        | PB6B2RS3M1CAL00     | 2329360-2 |                            |             |
|                 |                        | ROUND, SHINY BLACK  | N/A                        | PB6B2RS2M1CAL00     | 2329360-1 |                            |             |

THIS DRAWING IS A CONTROLLED DOCUMENT.

DWN: RAVLS 22FEB2018  
 CHK: ALEXANDER SHARPE 22FEB2018  
 APVD: ALEXANDER SHARPE 22FEB2018

**STE** TE Connectivity

NAME: SWITCH, PUSHBUTTON, ROUND CAP NO LED, SOLDER TERMINATION, SEALED, OFF-(ON) AND ON-(OFF)

SIZE: A2 CAGE CODE: 00779 DRAWING NO: C-2329360 RESTRICTED TO: 4

MATERIAL: - FINISH: - WEIGHT: -

CUSTOMER DRAWING SCALE: 4:1 SHEET: 4 OF 4 REV: 1



Компания «ЭлектроПласт» предлагает заключение долгосрочных отношений при поставках импортных электронных компонентов на взаимовыгодных условиях!

Наши преимущества:

- Оперативные поставки широкого спектра электронных компонентов отечественного и импортного производства напрямую от производителей и с крупнейших мировых складов;
- Поставка более 17-ти миллионов наименований электронных компонентов;
- Поставка сложных, дефицитных, либо снятых с производства позиций;
- Оперативные сроки поставки под заказ (от 5 рабочих дней);
- Экспресс доставка в любую точку России;
- Техническая поддержка проекта, помощь в подборе аналогов, поставка прототипов;
- Система менеджмента качества сертифицирована по Международному стандарту ISO 9001;
- Лицензия ФСБ на осуществление работ с использованием сведений, составляющих государственную тайну;
- Поставка специализированных компонентов (Xilinx, Altera, Analog Devices, Intersil, Interpoint, Microsemi, Aeroflex, Peregrine, Syfer, Eurofarad, Texas Instrument, Miteq, Cobham, E2V, MA-COM, Hittite, Mini-Circuits, General Dynamics и др.);

Помимо этого, одним из направлений компании «ЭлектроПласт» является направление «Источники питания». Мы предлагаем Вам помощь Конструкторского отдела:

- Подбор оптимального решения, техническое обоснование при выборе компонента;
- Подбор аналогов;
- Консультации по применению компонента;
- Поставка образцов и прототипов;
- Техническая поддержка проекта;
- Защита от снятия компонента с производства.



#### Как с нами связаться

**Телефон:** 8 (812) 309 58 32 (многоканальный)

**Факс:** 8 (812) 320-02-42

**Электронная почта:** [org@eplast1.ru](mailto:org@eplast1.ru)

**Адрес:** 198099, г. Санкт-Петербург, ул. Калинина, дом 2, корпус 4, литера А.