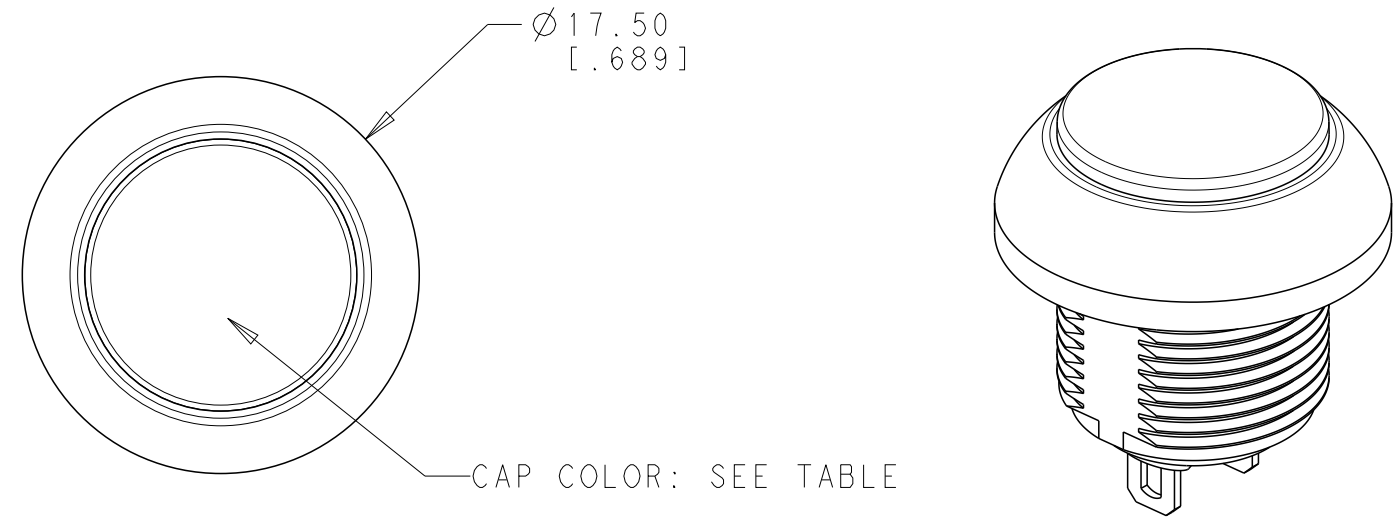


THIS DRAWING IS UNPUBLISHED. RELEASED FOR PUBLICATION
 © COPYRIGHT copyright.d8te- ALL RIGHTS RESERVED.

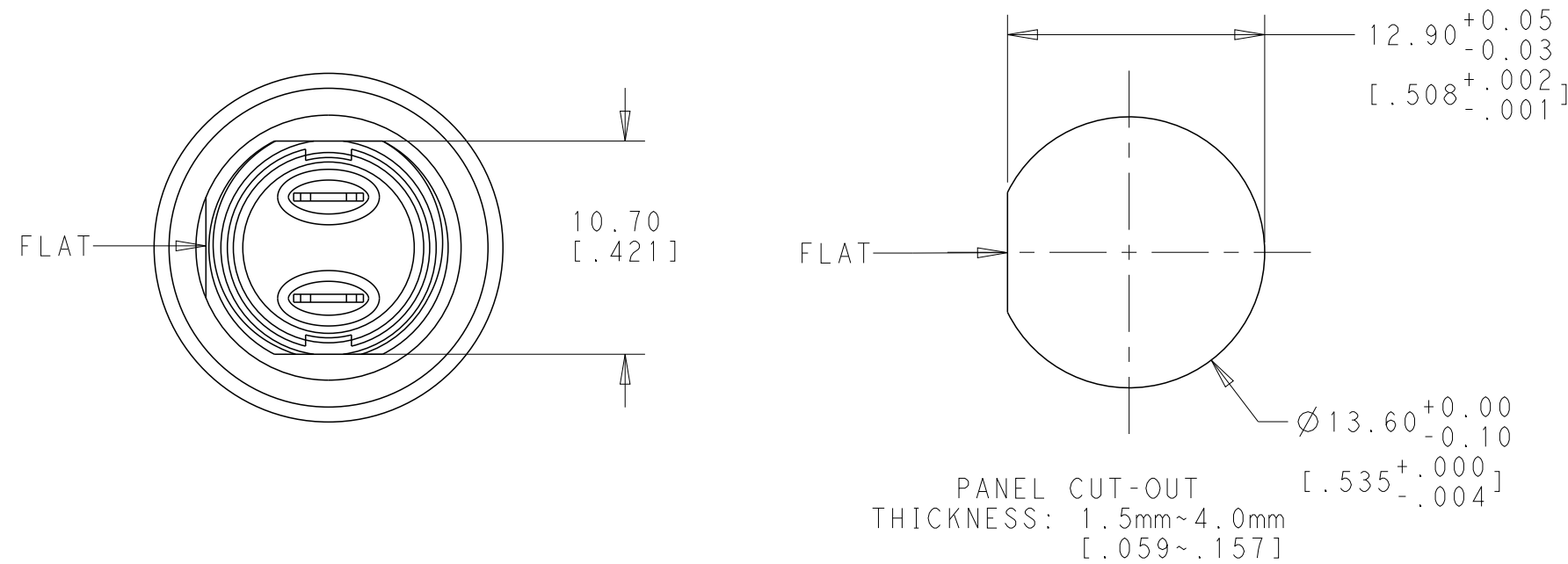
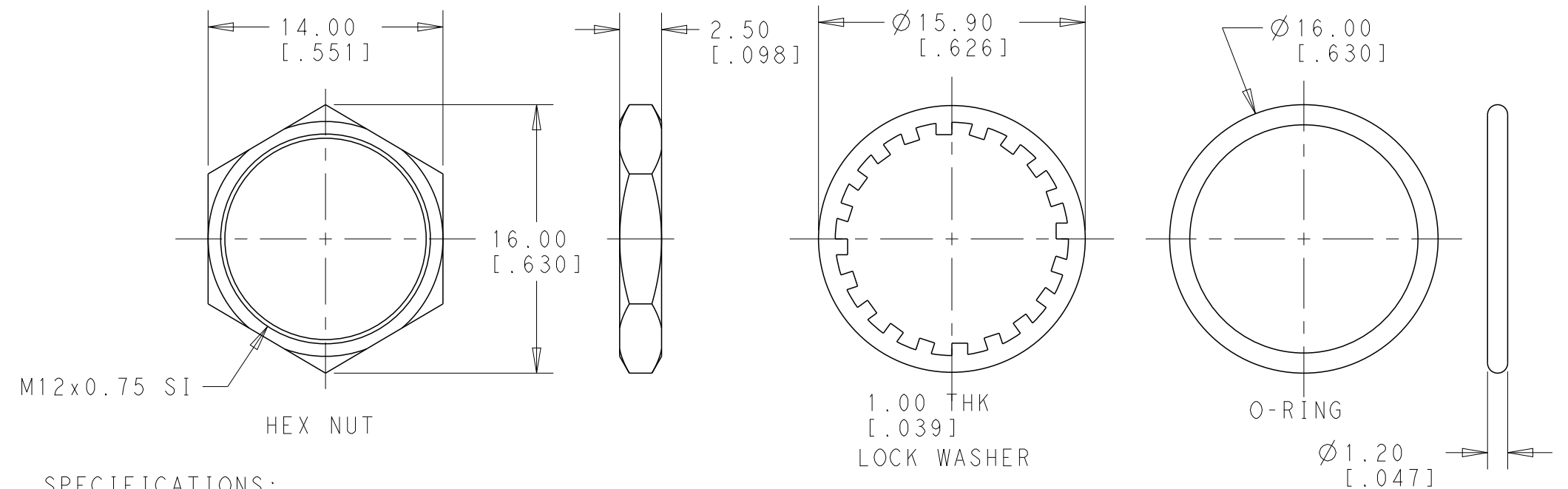
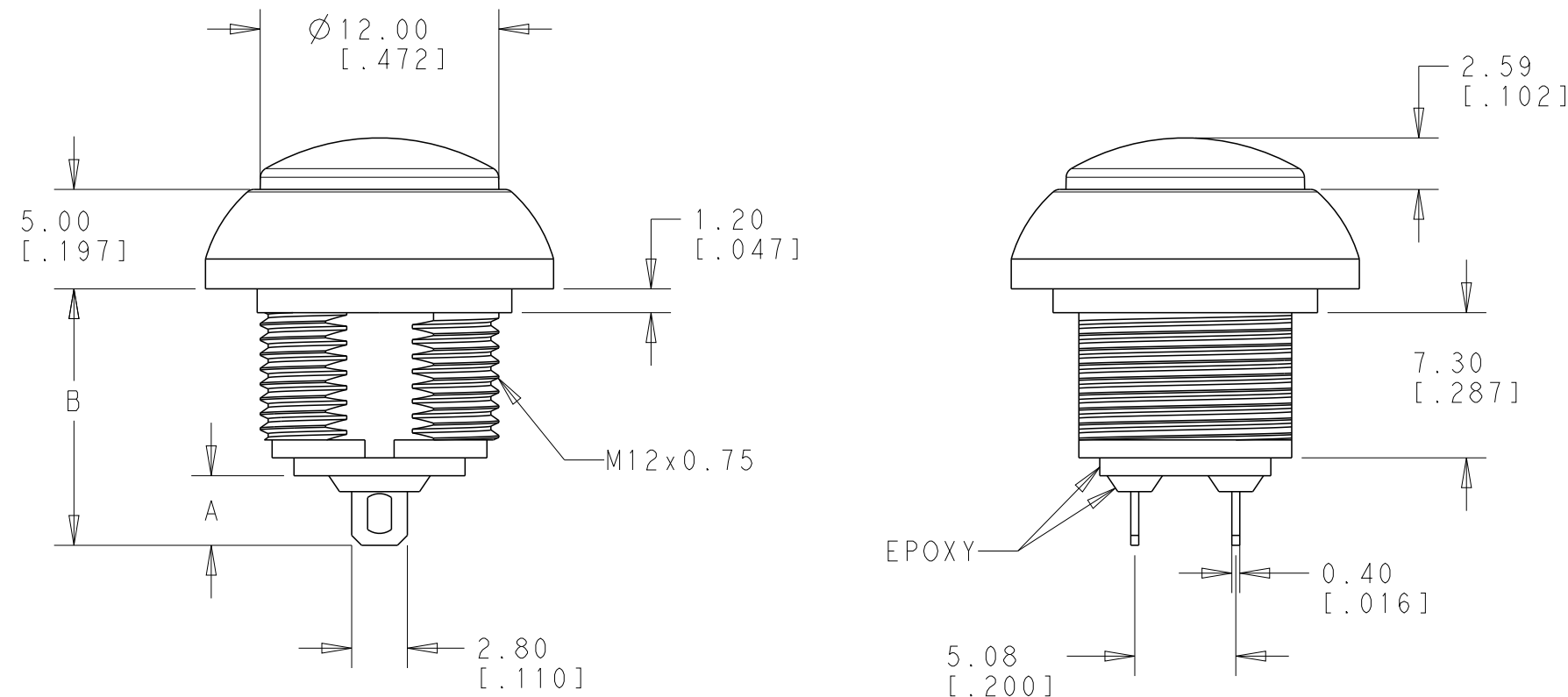
| REVISIONS | | | | |
|-----------|-----|-------------|-----------|----------|
| P | LTR | DESCRIPTION | DATE | DWN APVD |
| 1 | | NEW DRAWING | 22FEB2018 | RS AS |



SOLDER TO WIRE
OFF-(ON)

| Model No. | POS. 1 | POS. 2 |
|---------------------|--------|---------|
| | | |
| PB6 | OFF | MOM(ON) |
| CONNECTED TERMINALS | OPEN | CLOSE |
| SCHEMATIC | | |

SWITCH FUNCTION



SPECIFICATIONS:
 MAXIMUM CURRENT/VOLTAGE RATING WITH RESISTIVE LOAD:
 400mA 32VAC, 200mA 50VDC, 125mA 125VAC

MATERIALS:
 CAP: POLYAMIDE 6/6
 PLUNGER: POLYAMIDE 6/6 OR POLYCARBONATE
 RUBBER: SILICONE
 BUSHING: POLYAMIDE 6/6
 CASE: DIALLYL PHTHALATE (DAP) (UL94 V-0)
 TERMINALS/CONTACTS: COPPER ALLOY, GOLD OVER SILVER PLATED
 HEX NUT: BRASS, NICKEL PLATED (1)
 LOCK WASHER: BRASS, NICKEL PLATED (1)
 O-RING: SILICONE (1)
 SPRING: STEEL

INITIAL CONTACT RESISTANCE: 50mΩ MAXIMUM
 INSULATION RESISTANCE: 1 GΩ MINIMUM AT 500 VDC
 DIELECTRIC STRENGTH: 1,500 VAC RMS
 CONTACT BOUNCE: 10ms
 ELECTRICAL LIFE AT FULL LOAD: 500,000 CYCLES
 MECHANICAL LIFE: 1,000,000 CYCLES
 TOTAL TRAVEL: 1.5 (.059)
 ACTUATION FORCE: 3 TO 6N
 OPERATING TEMPERATURE: -30° TO 85° C
 DEGREE OF PROTECTION: IP68, 1 HOUR @ 1 METER
 TORQUE: 0.5N·m MAXIMUM APPLIED TO NUT

PACKAGING:
 SWITCHES ARE PACKAGED IN TRAYS. HARDWARE IS NOT ASSEMBLED TO THE SWITCH.

COMPLIANCE:
 ALL MATERIALS AND FINISHES SHALL COMPLY WITH EU DIRECTIVE 2002/95/EC OF 27JAN2003(RoHS)

SOLDER PROCESSING:
 MANUAL SOLDERING: SOLDER IRON, 30 WATTS, CONTROLLED AT 350° C, APPROXIMATELY 5 SECONDS WHILE APPLYING SOLDER.

WAVE SOLDERING:
 260+/-5° C, 5 SECONDS MAXIMUM DURATION, PCB THICKNESS 1.6MM
 110°C MAXIMUM AMBIENT TEMPERATURE OF THE SOLDER SURFACE OF THE PC BOARD.

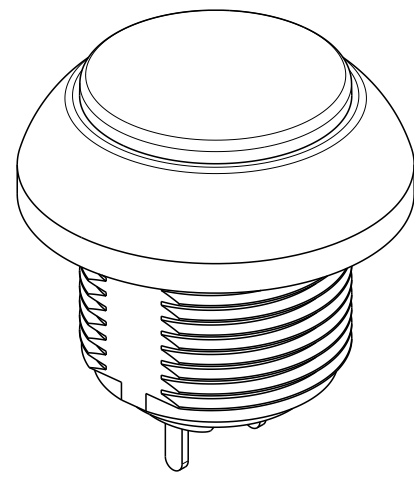
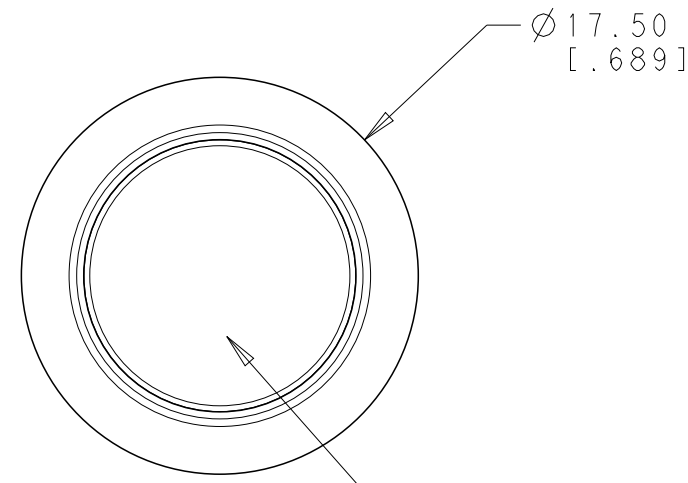
1. HARDWARE IS SHIPPED UNASSEMBLED.

| | | | | |
|--|--|------------------|--|----------------------------|
| THIS DRAWING IS A CONTROLLED DOCUMENT. | | DWN | 22FEB2018 | STE TE Connectivity |
| DIMENSIONS: mm [INCHES] | | CHK | 22FEB2018 | |
| TOLERANCES UNLESS OTHERWISE SPECIFIED: | | APVD | 22FEB2018 | |
| 0 PLC ± 1 PLC ±0.4 [0.016] 2 PLC ±0.25 [0.010] 3 PLC ± 4 PLC ± ANGLES ±5° FINISH - | | NAME | ALEXANDER SHARPE | |
| MATERIAL - | | PRODUCT SPEC | SWITCH, PUSHBUTTON, ROUND CAP, NO LED, SOLDER TERMINATION, SEALED, OFF-(ON) AND ON-(OFF) | |
| | | APPLICATION SPEC | SIZE | CAGE CODE |
| | | WEIGHT - | A200779 | DRAWING NO |
| | | CUSTOMER DRAWING | C-2329360 | |
| | | SCALE | 4:1 | SHEET 1 OF 4 |
| | | REV | 1 | |

THIS DRAWING IS UNPUBLISHED. RELEASED FOR PUBLICATION
 © COPYRIGHT copyright dbTe- ALL RIGHTS RESERVED.

| REVISIONS | | | | |
|-----------|-----|-------------|------|------|
| P | LTR | DESCRIPTION | DATE | APVD |
| - | - | SEE SHEET 1 | - | - |

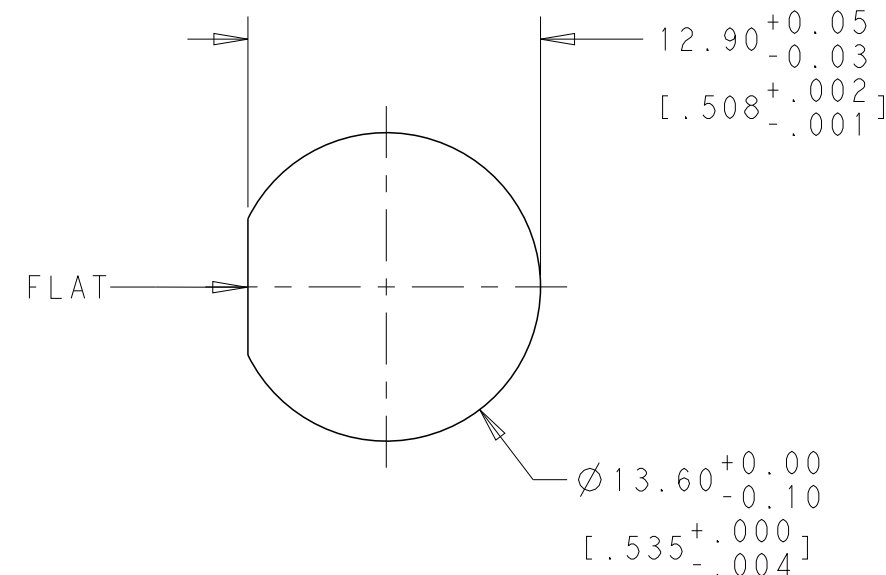
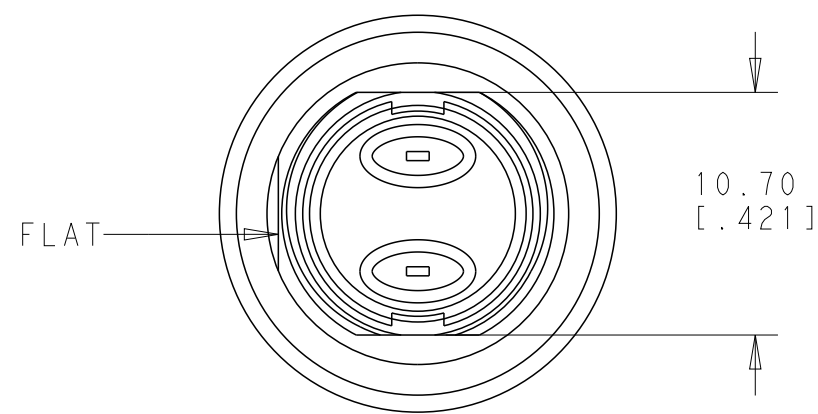
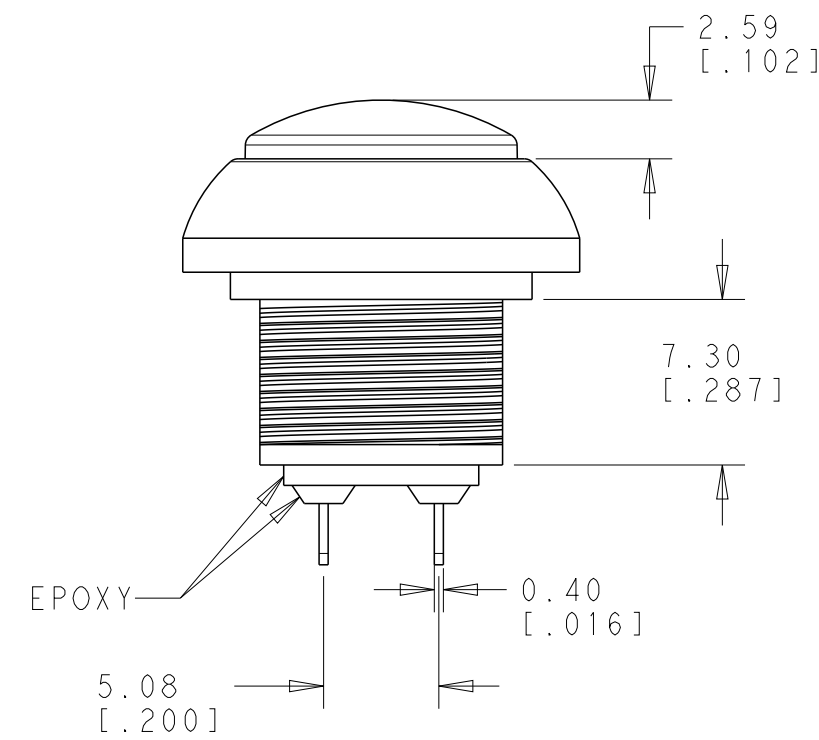
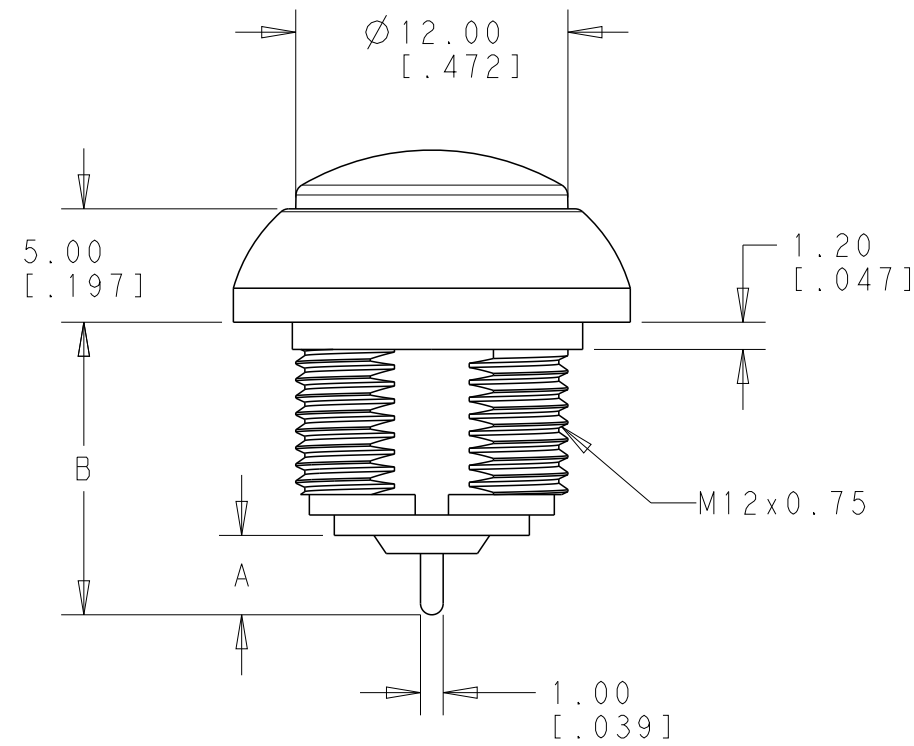
SOLDER TO PCB
OFF - (ON)



CAP COLOR: SEE TABLE

| Model No. | POS. 1 | POS. 2 |
|---------------------|--------|----------|
| | | |
| PB6 | OFF | MOM (ON) |
| CONNECTED TERMINALS | OPEN | CLOSE |
| SCHEMATIC | | |

SWITCH FUNCTION



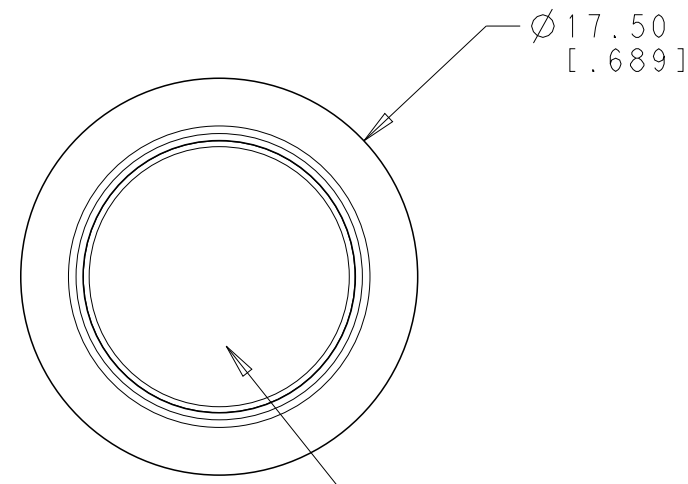
PANEL CUT-OUT
THICKNESS: 1.5mm~4.0mm
[.059~.157]

| | | | | |
|--|--|---------------------------------------|---|--|
| THIS DRAWING IS A CONTROLLED DOCUMENT. | | DWN RAVLS 22FEB2018 | TE Connectivity | |
| DIMENSIONS: mm [INCHES] | | CHK ALEXANDER SHARPE 22FEB2018 | | |
| TOLERANCES UNLESS OTHERWISE SPECIFIED: | | APVD ALEXANDER SHARPE 22FEB2018 | NAME SWITCH, PUSHBUTTON, ROUND CAP NO LED, SOLDER TERMINATION, SEALED, OFF-(ON) AND ON-(OFF) | |
| 0 PLC ± | | PRODUCT SPEC | SIZE | |
| 1 PLC ±0.4 [.016] | | APPLICATION SPEC | CAGE CODE | |
| 2 PLC ±0.25 [.010] | | WEIGHT | DRAWING NO | |
| 3 PLC ± | | CUSTOMER DRAWING | RESTRICTED TO | |
| 4 PLC ± | | SCALE 4:1 | SHEET 2 OF 4 | |
| ANGLES ±5° | | REV 1 | | |
| FINISH | | A200779 C-2329360 | | |

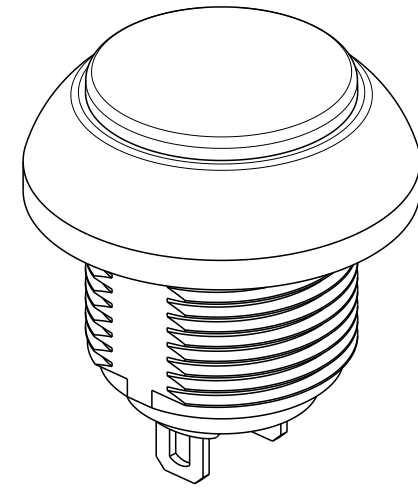
THIS DRAWING IS UNPUBLISHED. RELEASED FOR PUBLICATION
 © COPYRIGHT copyright.d8te- ALL RIGHTS RESERVED.

| REVISIONS | | | | |
|-----------|-----|-------------|------|------|
| P | LTR | DESCRIPTION | DATE | APVD |
| - | - | SEE SHEET 1 | - | - |

SOLDER TO WIRE
ON-(OFF)

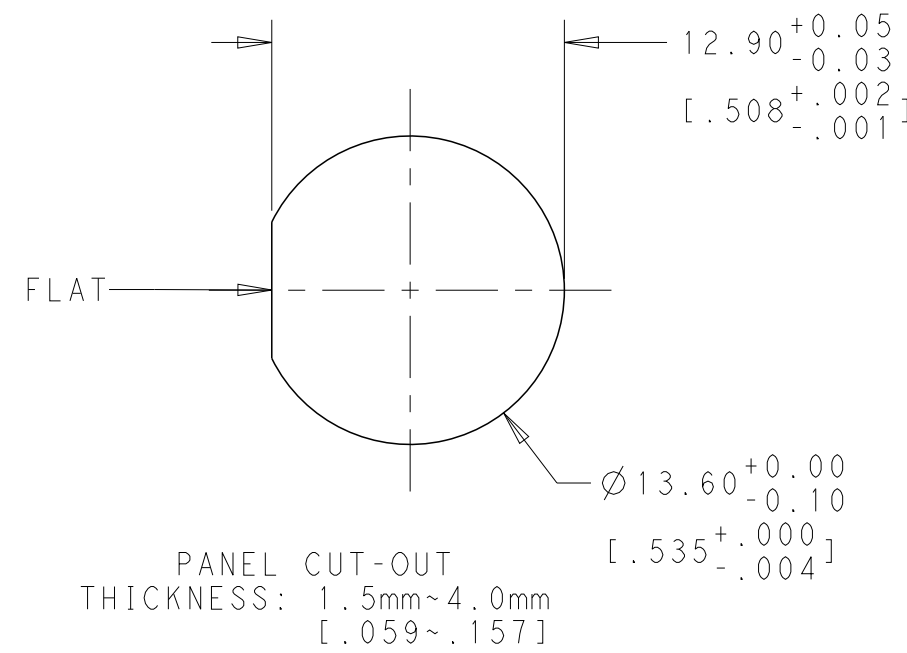
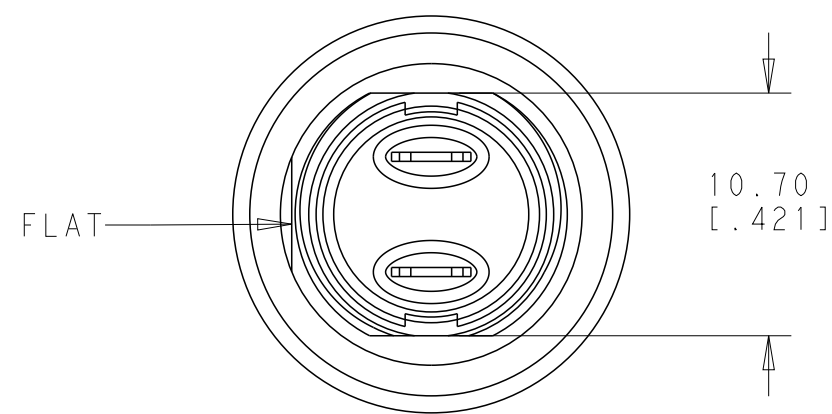
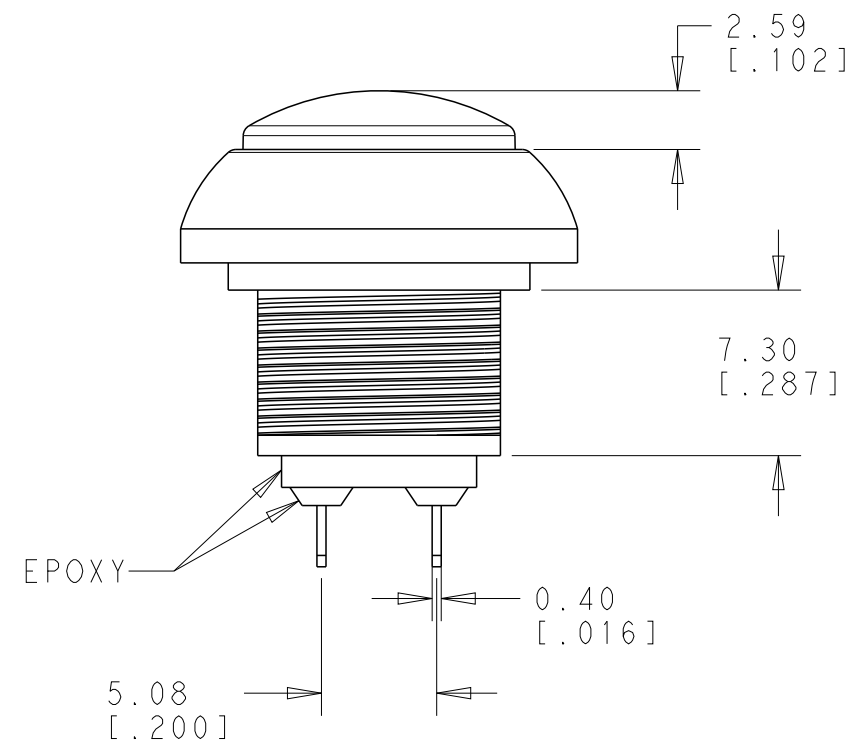
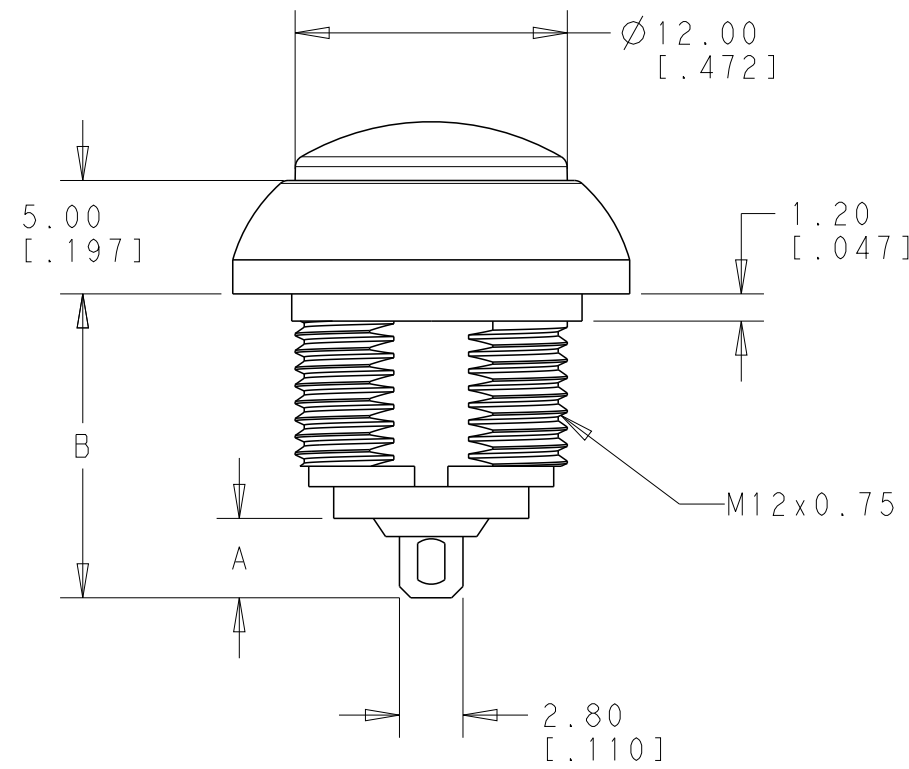


CAP COLOR: SEE TABLE



| Model No. | POS. 1 | POS. 2 |
|---------------------|--------|----------|
| | | |
| PB7 | ON | MOM(OFF) |
| CONNECTED TERMINALS | CLOSE | OPEN |
| SCHEMATIC | | |

SWITCH FUNCTION



| | | | | |
|--|--|---------------------------------------|---|--------------------|
| THIS DRAWING IS A CONTROLLED DOCUMENT. | | DWN RAVLS 22FEB2018 | TE Connectivity | |
| DIMENSIONS: mm [INCHES] | | CHK ALEXANDER SHARPE 22FEB2018 | | |
| TOLERANCES UNLESS OTHERWISE SPECIFIED: | | APVD ALEXANDER SHARPE 22FEB2018 | NAME SWITCH, PUSHBUTTON, ROUND CAP NO LED, SOLDER TERMINATION, SEALED, OFF-(ON) AND ON-(OFF) | |
| 0 PLC ± 1 PLC ±0.4 [0.016] 2 PLC ±0.25 [0.010] 3 PLC ± 4 PLC ± ANGLES ±5° FINISH - | | PRODUCT SPEC - | SIZE A2 | CAGE CODE 00779 |
| MATERIAL - | | APPLICATION SPEC - | DRAWING NO. C-2329360 | RESTRICTED TO |
| - | | WEIGHT - | SCALE 4:1 | SHEET 3 OF 4 |
| - | | CUSTOMER DRAWING | REV 1 | |

THIS DRAWING IS UNPUBLISHED. RELEASED FOR PUBLICATION
 © COPYRIGHT copyright.dBTe ALL RIGHTS RESERVED.

| REVISIONS | | | | |
|-----------|-----|-------------|------|------|
| P | LTR | DESCRIPTION | DATE | APVD |
| - | - | SEE SHEET 1 | - | - |

| POLE | THROW | DIMENSION B | DIMENSION A, TERMINAL TYPE | CAP TYPE & COLOR | LED COLOR | TE DESCRIPTIVE PART NUMBER | PART NUMBER |
|-----------------|--------------------|------------------------|----------------------------|---------------------|-----------------|----------------------------|-------------|
| SINGLE POLE | ON-(OFF) MOMENTARY | 13.40 [.527] | 3.40 [.134] SOLDER LUG | ROUND, SHINY BLUE | N/A | PB7B2RS7M1CAL00 | 2-2329360-5 |
| | | | | ROUND, SHINY GREEN | N/A | PB7B2RS6M1CAL00 | 2-2329360-4 |
| | | | | ROUND, SHINY YELLOW | N/A | PB7B2RS5M1CAL00 | 2-2329360-3 |
| | | | | ROUND, SHINY RED | N/A | PB7B2RS3M1CAL00 | 2-2329360-2 |
| | | | | ROUND, SHINY BLACK | N/A | PB7B2RS2M1CAL00 | 2-2329360-1 |
| | OFF-(ON) MOMENTARY | 12.90 [.508] | 3.50 [.138] SOLDER POST | ROUND, SHINY BLUE | N/A | PB6B2RS7M4CAL00 | 2-2329360-0 |
| | | | | ROUND, SHINY GREEN | N/A | PB6B2RS6M4CAL00 | 1-2329360-9 |
| | | | | ROUND, SHINY YELLOW | N/A | PB6B2RS5M4CAL00 | 1-2329360-8 |
| | | | | ROUND, SHINY RED | N/A | PB6B2RS3M4CAL00 | 1-2329360-7 |
| | | | | ROUND, SHINY BLACK | N/A | PB6B2RS2M4CAL00 | 1-2329360-6 |
| | | 17.60 [.693] | 8.20 [.323] SOLDER LUG | ROUND, SHINY BLUE | N/A | PB6B2RS7M3CAL00 | 1-2329360-5 |
| | | | | ROUND, SHINY GREEN | N/A | PB6B2RS6M3CAL00 | 1-2329360-4 |
| | | | | ROUND, SHINY YELLOW | N/A | PB6B2RS5M3CAL00 | 1-2329360-3 |
| | | | | ROUND, SHINY RED | N/A | PB6B2RS3M3CAL00 | 1-2329360-2 |
| | | | | ROUND, SHINY BLACK | N/A | PB6B2RS2M3CAL00 | 1-2329360-1 |
| | | 14.90 [.587] | 5.50 [.217] SOLDER LUG | ROUND, SHINY BLUE | N/A | PB6B2RS7M2CAL00 | 1-2329360-0 |
| | | | | ROUND, SHINY GREEN | N/A | PB6B2RS6M2CAL00 | 2329360-9 |
| | | | | ROUND, SHINY YELLOW | N/A | PB6B2RS5M2CAL00 | 2329360-8 |
| | | | | ROUND, SHINY RED | N/A | PB6B2RS3M2CAL00 | 2329360-7 |
| | | | | ROUND, SHINY BLACK | N/A | PB6B2RS2M2CAL00 | 2329360-6 |
| 12.90 [.508] | | 3.50 [.138] SOLDER LUG | ROUND, SHINY BLUE | N/A | PB6B2RS7M1CAL00 | 2329360-5 | |
| | | | ROUND, SHINY GREEN | N/A | PB6B2RS6M1CAL00 | 2329360-4 | |
| | | | ROUND, SHINY YELLOW | N/A | PB6B2RS5M1CAL00 | 2329360-3 | |
| | | | ROUND, SHINY RED | N/A | PB6B2RS3M1CAL00 | 2329360-2 | |
| | | | ROUND, SHINY BLACK | N/A | PB6B2RS2M1CAL00 | 2329360-1 | |

THIS DRAWING IS A CONTROLLED DOCUMENT.

DWN RAVLS 22FEB2018
 CHK ALEXANDER SHARPE 22FEB2018
 APVD ALEXANDER SHARPE 22FEB2018

STE TE Connectivity

NAME SWITCH, PUSHBUTTON, ROUND CAP NO LED, SOLDER TERMINATION, SEALED, OFF-(ON) AND ON-(OFF)

PRODUCT SPEC -
 APPLICATION SPEC -
 WEIGHT -

SIZE A2 CAGE CODE 00779 DRAWING NO C-2329360 RESTRICTED TO

MATERIAL - FINISH -

CUSTOMER DRAWING SCALE 4:1 SHEET 4 OF 4 REV 1



Компания «ЭлектроПласт» предлагает заключение долгосрочных отношений при поставках импортных электронных компонентов на взаимовыгодных условиях!

Наши преимущества:

- Оперативные поставки широкого спектра электронных компонентов отечественного и импортного производства напрямую от производителей и с крупнейших мировых складов;
- Поставка более 17-ти миллионов наименований электронных компонентов;
- Поставка сложных, дефицитных, либо снятых с производства позиций;
- Оперативные сроки поставки под заказ (от 5 рабочих дней);
- Экспресс доставка в любую точку России;
- Техническая поддержка проекта, помощь в подборе аналогов, поставка прототипов;
- Система менеджмента качества сертифицирована по Международному стандарту ISO 9001;
- Лицензия ФСБ на осуществление работ с использованием сведений, составляющих государственную тайну;
- Поставка специализированных компонентов (Xilinx, Altera, Analog Devices, Intersil, Interpoint, Microsemi, Aeroflex, Peregrine, Syfer, Eurofarad, Texas Instrument, Miteq, Cobham, E2V, MA-COM, Hittite, Mini-Circuits, General Dynamics и др.);

Помимо этого, одним из направлений компании «ЭлектроПласт» является направление «Источники питания». Мы предлагаем Вам помощь Конструкторского отдела:

- Подбор оптимального решения, техническое обоснование при выборе компонента;
- Подбор аналогов;
- Консультации по применению компонента;
- Поставка образцов и прототипов;
- Техническая поддержка проекта;
- Защита от снятия компонента с производства.



Как с нами связаться

Телефон: 8 (812) 309 58 32 (многоканальный)

Факс: 8 (812) 320-02-42

Электронная почта: org@eplast1.ru

Адрес: 198099, г. Санкт-Петербург, ул. Калинина, дом 2, корпус 4, литера А.