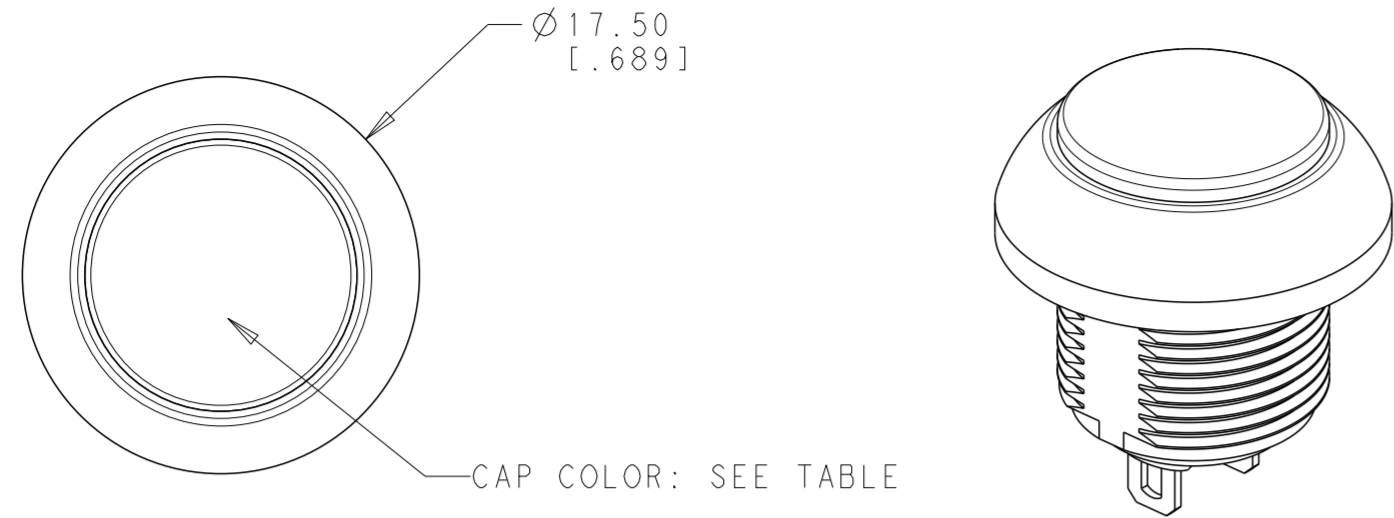


THIS DRAWING IS UNPUBLISHED. RELEASED FOR PUBLICATION  
 © COPYRIGHT copyright.d8te- ALL RIGHTS RESERVED.

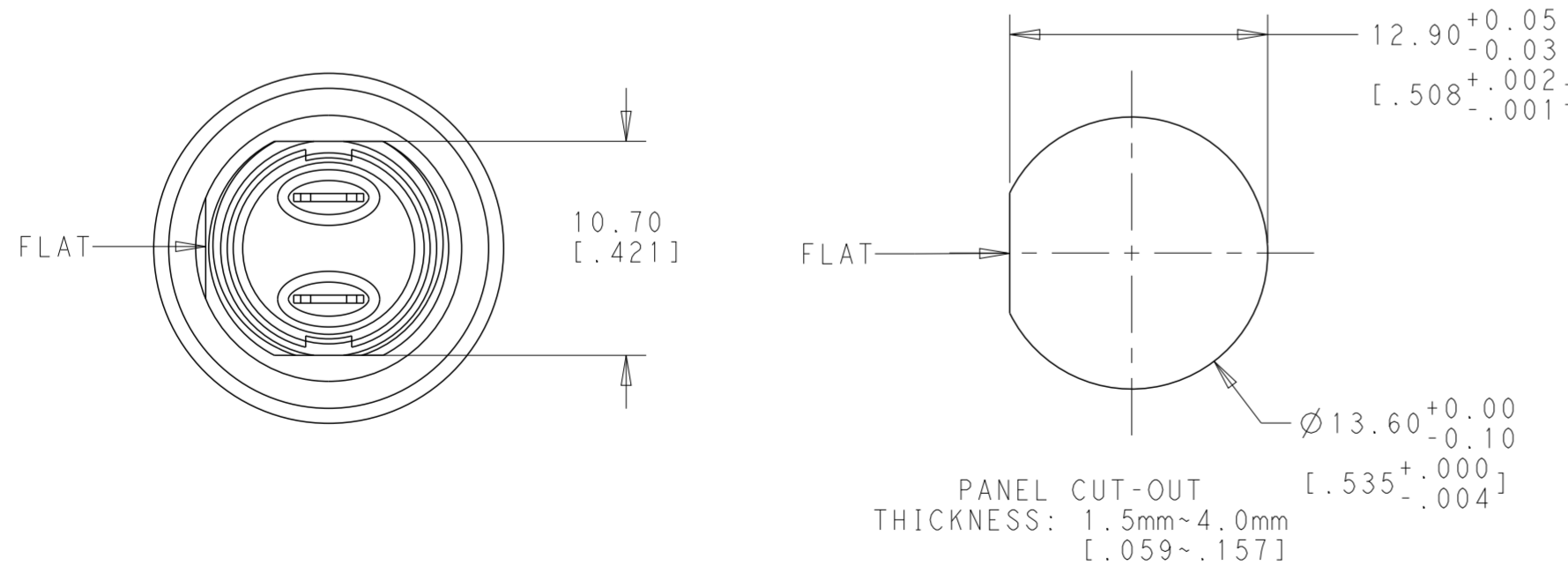
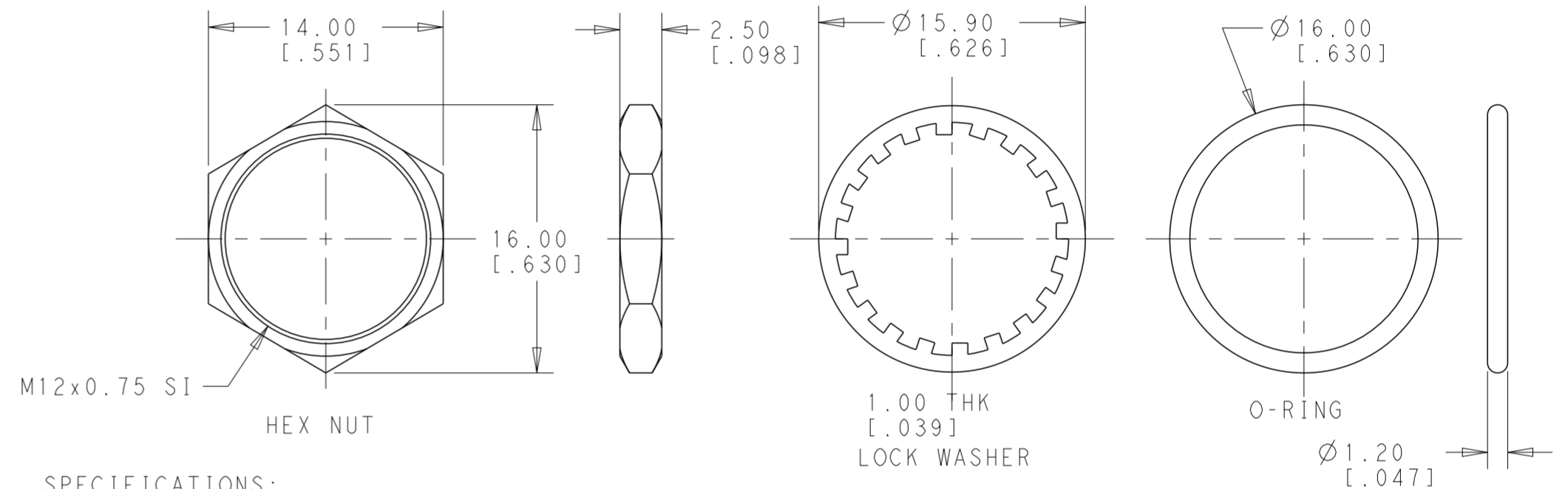
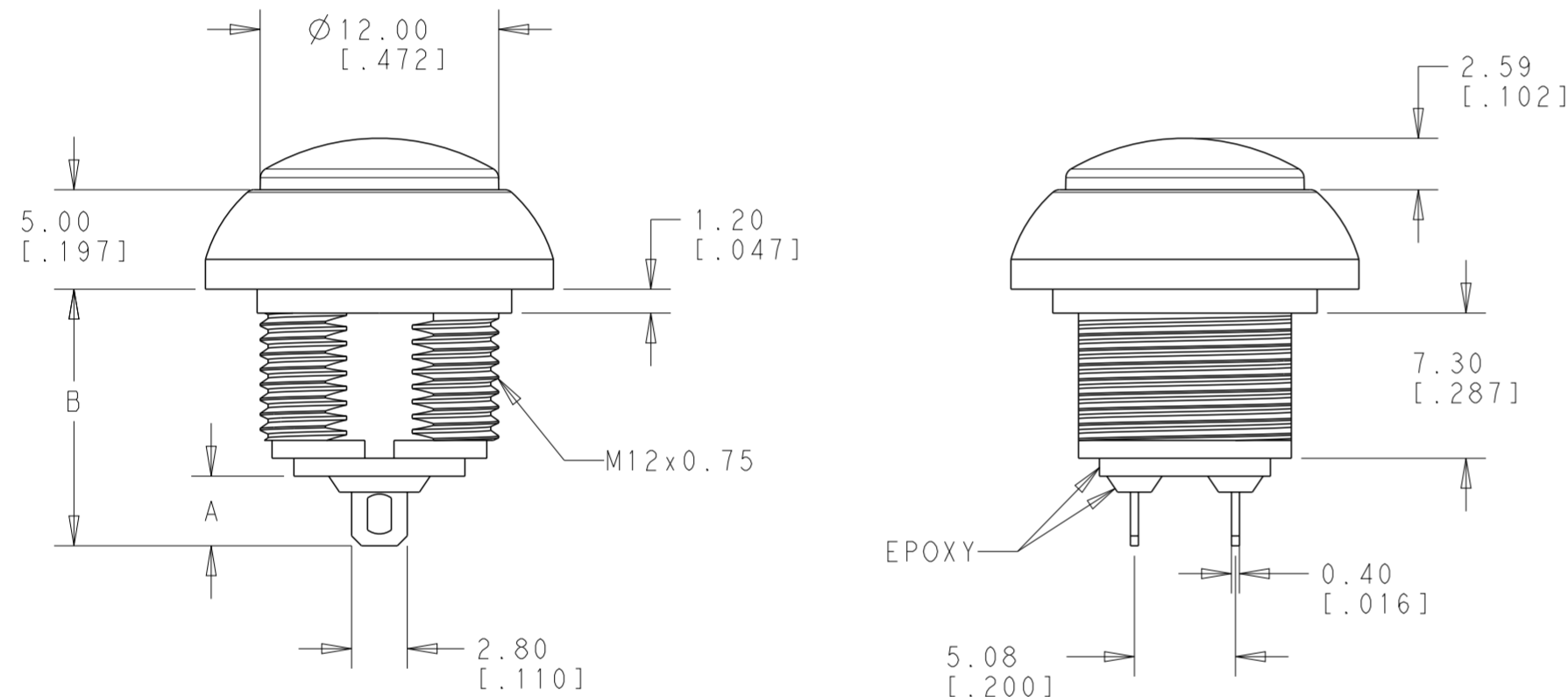
REVISIONS				
P	LTR	DESCRIPTION	DATE	DWN APVD
1		NEW DRAWING	22FEB2018	RS AS



SOLDER TO WIRE  
OFF-(ON)

Model No.	POS. 1	POS. 2
PB6	OFF	MOM(ON)
CONNECTED TERMINALS	OPEN	CLOSE
SCHEMATIC		

SWITCH FUNCTION



**SPECIFICATIONS:**  
 MAXIMUM CURRENT/VOLTAGE RATING WITH RESISTIVE LOAD:  
 400mA 32VAC, 200mA 50VDC, 125mA 125VAC

INITIAL CONTACT RESISTANCE: 50mΩ MAXIMUM  
 INSULATION RESISTANCE: 1 GΩ MINIMUM AT 500 VDC  
 DIELECTRIC STRENGTH: 1,500 VAC RMS  
 CONTACT BOUNCE: 10ms  
 ELECTRICAL LIFE AT FULL LOAD: 500,000 CYCLES  
 MECHANICAL LIFE: 1,000,000 CYCLES  
 TOTAL TRAVEL: 1.5 (.059)  
 ACTUATION FORCE: 3 TO 6N  
 OPERATING TEMPERATURE: -30° TO 85° C  
 DEGREE OF PROTECTION: IP68, 1 HOUR @ 1 METER  
 TORQUE: 0.5N·m MAXIMUM APPLIED TO NUT

**MATERIALS:**  
 CAP: POLYAMIDE 6/6  
 PLUNGER: POLYAMIDE 6/6 OR POLYCARBONATE  
 RUBBER: SILICONE  
 BUSHING: POLYAMIDE 6/6  
 CASE: DIALLYL PHTHALATE (DAP) (UL94 V-0)  
 TERMINALS/CONTACTS: COPPER ALLOY, GOLD OVER SILVER PLATED  
 HEX NUT: BRASS, NICKEL PLATED (1)  
 LOCK WASHER: BRASS, NICKEL PLATED (1)  
 O-RING: SILICONE (1)  
 SPRING: STEEL

**PACKAGING:**  
 SWITCHES ARE PACKAGED IN TRAYS. HARDWARE IS NOT ASSEMBLED TO THE SWITCH.

**COMPLIANCE:**  
 ALL MATERIALS AND FINISHES SHALL COMPLY WITH EU DIRECTIVE 2002/95/EC OF 27JAN2003(RoHS)

**SOLDER PROCESSING:**  
 MANUAL SOLDERING: SOLDER IRON, 30 WATTS, CONTROLLED AT 350° C, APPROXIMATELY 5 SECONDS WHILE APPLYING SOLDER.

**WAVE SOLDERING:**  
 260+/-5° C, 5 SECONDS MAXIMUM DURATION, PCB THICKNESS 1.6MM  
 110°C MAXIMUM AMBIENT TEMPERATURE OF THE SOLDER SURFACE OF THE PC BOARD.

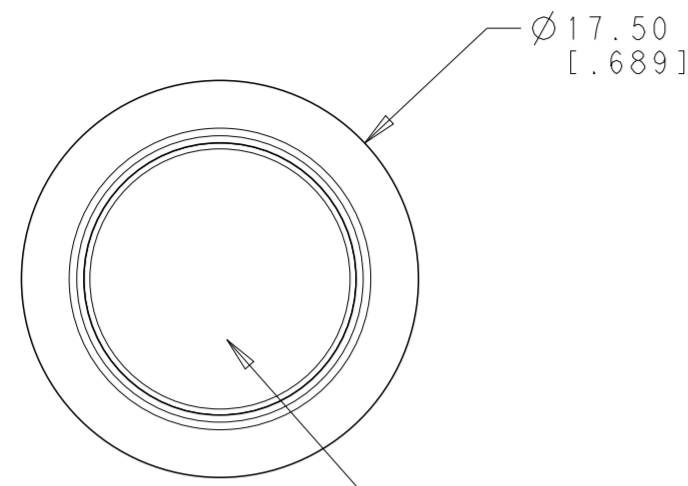
1. HARDWARE IS SHIPPED UNASSEMBLED.

THIS DRAWING IS A CONTROLLED DOCUMENT.		DWN: RAVLS 22FEB2018	<b>DELIMITARY</b> TE Connectivity	
DIMENSIONS: mm [INCHES]		CHK: ALEXANDER SHARPE 22FEB2018		
TOLERANCES UNLESS OTHERWISE SPECIFIED:		APVD: ALEXANDER SHARPE 22FEB2018		
0 PLC ± 1 PLC ±0.4 [0.016] 2 PLC ±0.25 [0.010] 3 PLC ± 4 PLC ± ANGLES ±5° FINISH -		NAME: ALEXANDER SHARPE 22FEB2018		
MATERIAL: -		PRODUCT SPEC: -	SWITCH, PUSHBUTTON, ROUND CAP, NO LED, SOLDER TERMINATION, SEALED, OFF-(ON) AND ON-(OFF)	
		APPLICATION SPEC: -	SIZE: A2	CAGE CODE: 00779
		WEIGHT: -	DRAWING NO: C-2329360	RESTRICTED TO: -
		CUSTOMER DRAWING	SCALE: 4:1	SHEET: 1 OF 4
				REV: 1

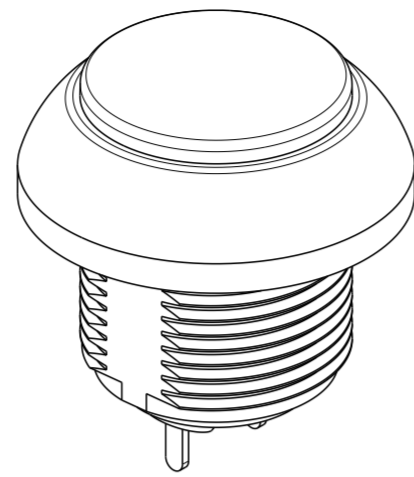
THIS DRAWING IS UNPUBLISHED. RELEASED FOR PUBLICATION  
 © COPYRIGHT copyright.d8te- ALL RIGHTS RESERVED.

REVISIONS				
P	LTR	DESCRIPTION	DATE	APVD
-	-	SEE SHEET 1	-	-

SOLDER TO PCB  
OFF - (ON)

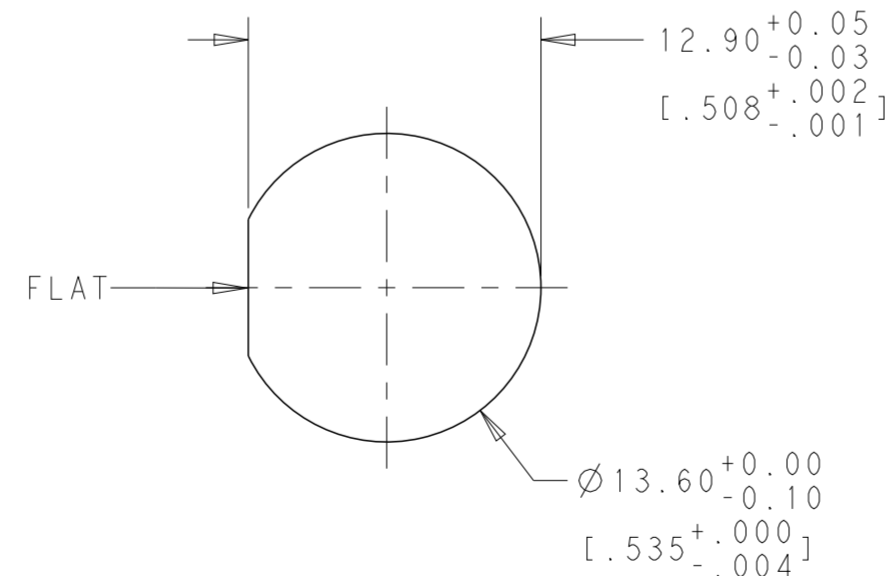
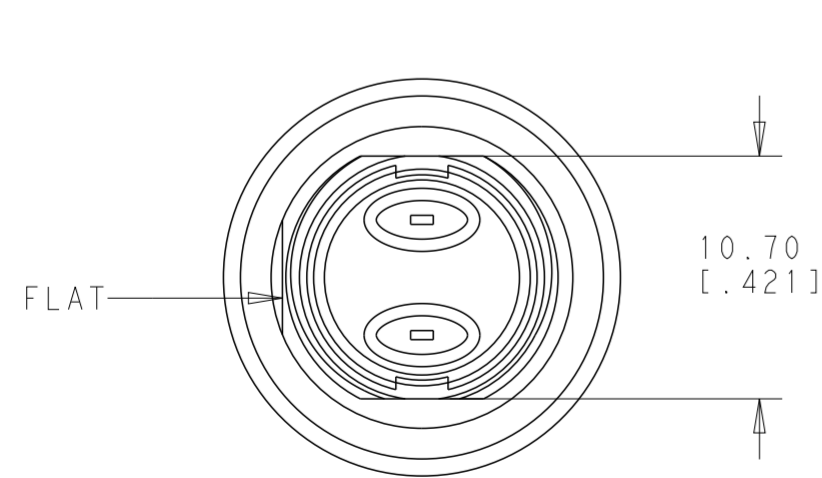
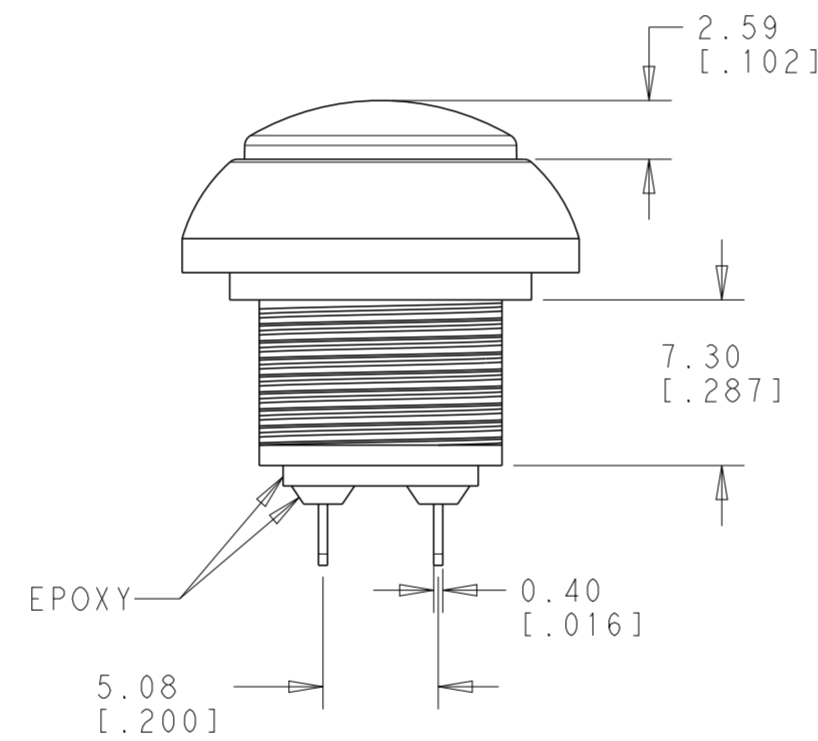
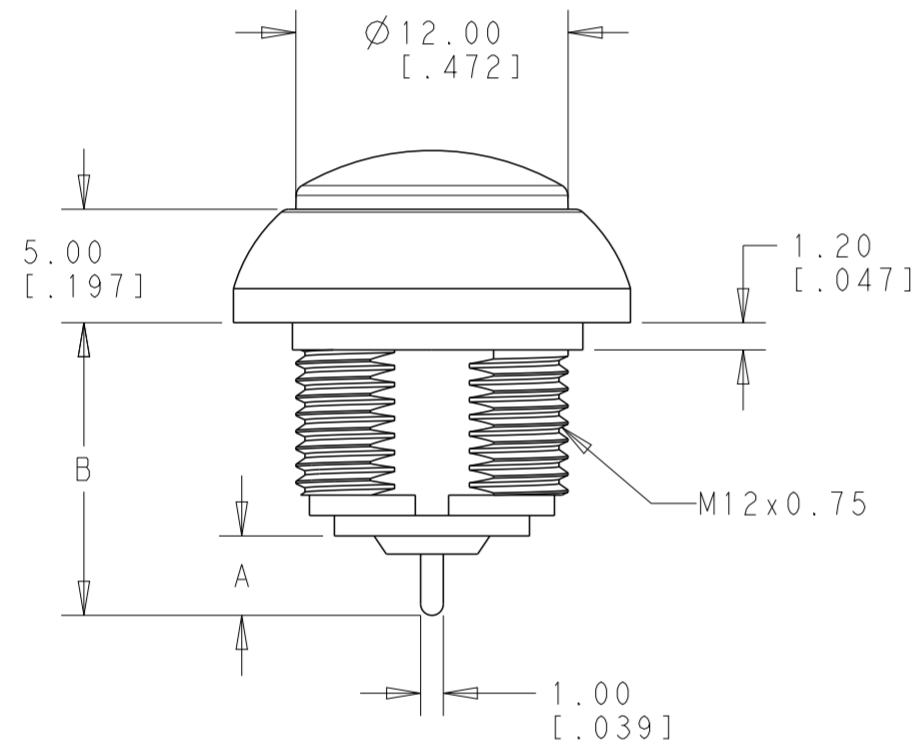


CAP COLOR: SEE TABLE



Model No.	POS. 1	POS. 2
PB6	OFF	MOM (ON)
CONNECTED TERMINALS	OPEN	CLOSE
SCHEMATIC		

SWITCH FUNCTION



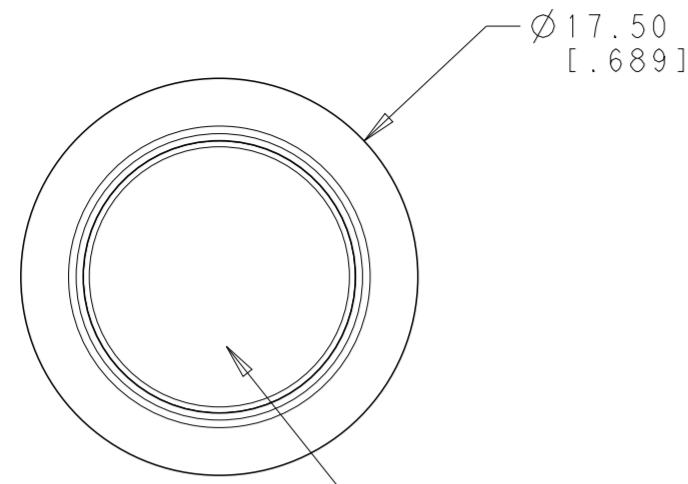
PANEL CUT-OUT  
THICKNESS: 1.5mm~4.0mm  
[.059~.157]

THIS DRAWING IS A CONTROLLED DOCUMENT.		DWN RAVLS 22FEB2018	TE Connectivity	
DIMENSIONS: mm [INCHES]		CHK ALEXANDER SHARPE 22FEB2018		
TOLERANCES UNLESS OTHERWISE SPECIFIED:		APVD ALEXANDER SHARPE 22FEB2018	NAME SWITCH, PUSHBUTTON, ROUND CAP NO LED, SOLDER TERMINATION, SEALED, OFF-(ON) AND ON-(OFF)	
0 PLC ±		PRODUCT SPEC	SIZE	
1 PLC ±0.4 [.016]		APPLICATION SPEC	CAGE CODE	
2 PLC ±0.25 [.010]		WEIGHT	DRAWING NO	
3 PLC ±		CUSTOMER DRAWING	RESTRICTED TO	
4 PLC ±		SCALE 4:1	SHEET 2 OF 4	
ANGLES ±5°		REV 1		
FINISH		A200779 C-2329360		

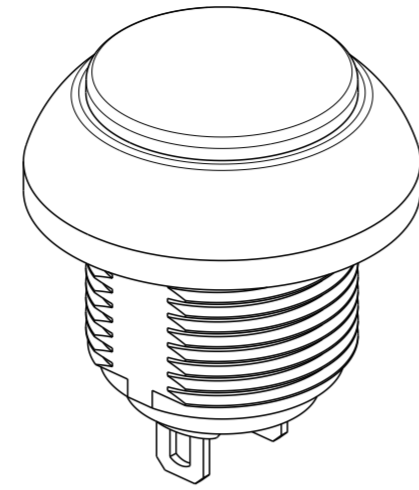
THIS DRAWING IS UNPUBLISHED. RELEASED FOR PUBLICATION  
 © COPYRIGHT copyright.d8te- ALL RIGHTS RESERVED.

REVISIONS				
P	LTR	DESCRIPTION	DATE	APVD
-	-	SEE SHEET 1	-	-

SOLDER TO WIRE  
ON-(OFF)

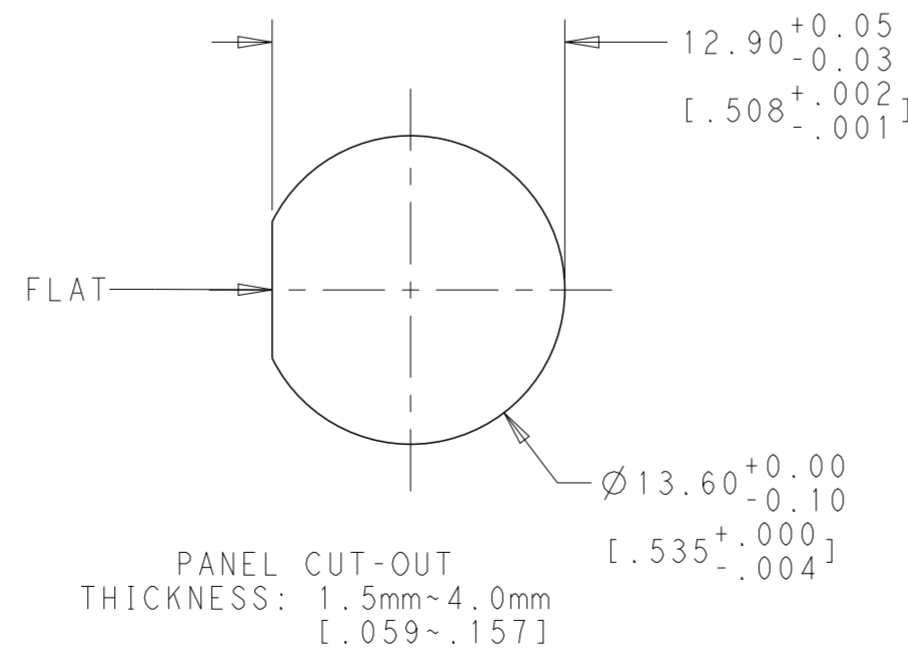
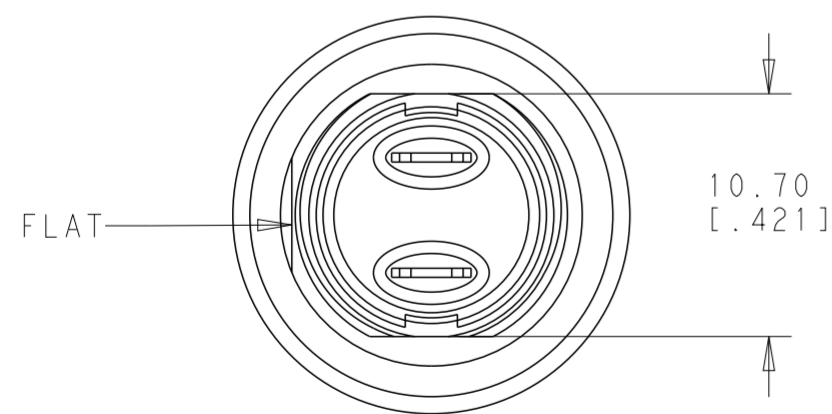
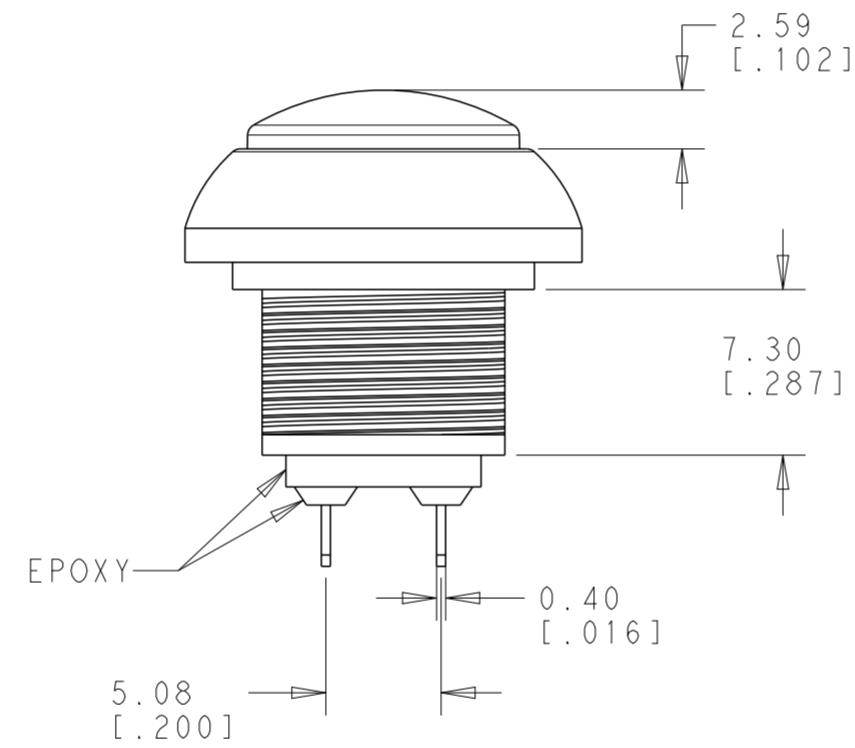
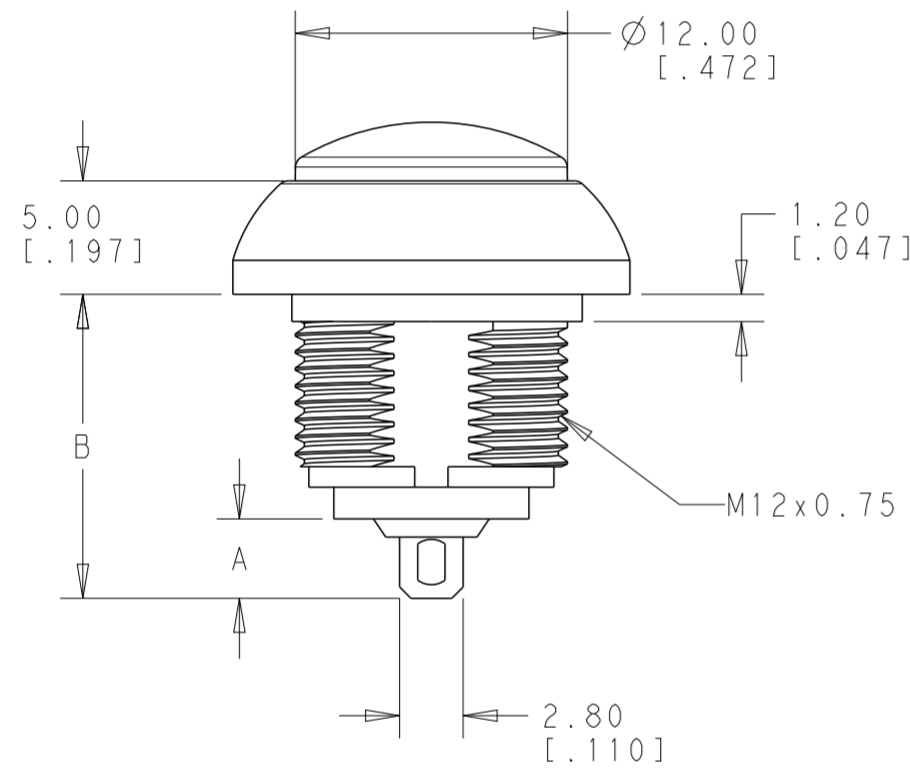


CAP COLOR: SEE TABLE



Model No.	POS. 1	POS. 2
PB7	ON	MOM(OFF)
CONNECTED TERMINALS	CLOSE	OPEN
SCHEMATIC		

SWITCH FUNCTION



THIS DRAWING IS A CONTROLLED DOCUMENT.		DWN RAVLS 22FEB2018	TE Connectivity	
DIMENSIONS: mm [INCHES]		CHK ALEXANDER SHARPE 22FEB2018		
TOLERANCES UNLESS OTHERWISE SPECIFIED:		APVD ALEXANDER SHARPE 22FEB2018	NAME SWITCH, PUSHBUTTON, ROUND CAP NO LED, SOLDER TERMINATION, SEALED, OFF-(ON) AND ON-(OFF)	
0 PLC ±		PRODUCT SPEC	SIZE	
1 PLC ±0.4 [.016]		APPLICATION SPEC	CAGE CODE	
2 PLC ±0.25 [.010]		WEIGHT	DRAWING NO	
3 PLC ±		CUSTOMER DRAWING	A200779	
4 PLC ±		SCALE 4:1	SHEET 3 OF 4	
ANGLES ±5°		REV 1		
FINISH				

THIS DRAWING IS UNPUBLISHED. RELEASED FOR PUBLICATION  
 © COPYRIGHT copyright.dBTe ALL RIGHTS RESERVED.

REVISIONS				
P	LTR	DESCRIPTION	DATE	APVD
-	-	SEE SHEET 1	-	-

POLE	THROW	DIMENSION B	DIMENSION A, TERMINAL TYPE	CAP TYPE & COLOR	LED COLOR	TE DESCRIPTIVE PART NUMBER	PART NUMBER
SINGLE POLE	ON-(OFF) MOMENTARY	13.40 [.527]	3.40 [.134] SOLDER LUG	ROUND, SHINY BLUE	N/A	PB7B2RS7M1CAL00	2-2329360-5
				ROUND, SHINY GREEN	N/A	PB7B2RS6M1CAL00	2-2329360-4
				ROUND, SHINY YELLOW	N/A	PB7B2RS5M1CAL00	2-2329360-3
				ROUND, SHINY RED	N/A	PB7B2RS3M1CAL00	2-2329360-2
				ROUND, SHINY BLACK	N/A	PB7B2RS2M1CAL00	2-2329360-1
	OFF-(ON) MOMENTARY	12.90 [.508]	3.50 [.138] SOLDER POST	ROUND, SHINY BLUE	N/A	PB6B2RS7M4CAL00	2-2329360-0
				ROUND, SHINY GREEN	N/A	PB6B2RS6M4CAL00	1-2329360-9
				ROUND, SHINY YELLOW	N/A	PB6B2RS5M4CAL00	1-2329360-8
				ROUND, SHINY RED	N/A	PB6B2RS3M4CAL00	1-2329360-7
				ROUND, SHINY BLACK	N/A	PB6B2RS2M4CAL00	1-2329360-6
		17.60 [.693]	8.20 [.323] SOLDER LUG	ROUND, SHINY BLUE	N/A	PB6B2RS7M3CAL00	1-2329360-5
				ROUND, SHINY GREEN	N/A	PB6B2RS6M3CAL00	1-2329360-4
				ROUND, SHINY YELLOW	N/A	PB6B2RS5M3CAL00	1-2329360-3
				ROUND, SHINY RED	N/A	PB6B2RS3M3CAL00	1-2329360-2
				ROUND, SHINY BLACK	N/A	PB6B2RS2M3CAL00	1-2329360-1
		14.90 [.587]	5.50 [.217] SOLDER LUG	ROUND, SHINY BLUE	N/A	PB6B2RS7M2CAL00	1-2329360-0
				ROUND, SHINY GREEN	N/A	PB6B2RS6M2CAL00	2329360-9
				ROUND, SHINY YELLOW	N/A	PB6B2RS5M2CAL00	2329360-8
				ROUND, SHINY RED	N/A	PB6B2RS3M2CAL00	2329360-7
				ROUND, SHINY BLACK	N/A	PB6B2RS2M2CAL00	2329360-6
12.90 [.508]	3.50 [.138] SOLDER LUG	ROUND, SHINY BLUE	N/A	PB6B2RS7M1CAL00	2329360-5		
		ROUND, SHINY GREEN	N/A	PB6B2RS6M1CAL00	2329360-4		
		ROUND, SHINY YELLOW	N/A	PB6B2RS5M1CAL00	2329360-3		
		ROUND, SHINY RED	N/A	PB6B2RS3M1CAL00	2329360-2		
		ROUND, SHINY BLACK	N/A	PB6B2RS2M1CAL00	2329360-1		

THIS DRAWING IS A CONTROLLED DOCUMENT.

DWN RAVLS 22FEB2018  
 CHK ALEXANDER SHARPE 22FEB2018  
 APVD ALEXANDER SHARPE 22FEB2018

**STE** TE Connectivity

NAME SWITCH, PUSHBUTTON, ROUND CAP NO LED, SOLDER TERMINATION, SEALED, OFF-(ON) AND ON-(OFF)

PRODUCT SPEC -  
 APPLICATION SPEC -  
 WEIGHT -

SIZE A2 CAGE CODE 00779 DRAWING NO C-2329360 RESTRICTED TO

MATERIAL - FINISH -

CUSTOMER DRAWING SCALE 4:1 SHEET 4 OF 4 REV 1



Компания «ЭлектроПласт» предлагает заключение долгосрочных отношений при поставках импортных электронных компонентов на взаимовыгодных условиях!

Наши преимущества:

- Оперативные поставки широкого спектра электронных компонентов отечественного и импортного производства напрямую от производителей и с крупнейших мировых складов;
- Поставка более 17-ти миллионов наименований электронных компонентов;
- Поставка сложных, дефицитных, либо снятых с производства позиций;
- Оперативные сроки поставки под заказ (от 5 рабочих дней);
- Экспресс доставка в любую точку России;
- Техническая поддержка проекта, помощь в подборе аналогов, поставка прототипов;
- Система менеджмента качества сертифицирована по Международному стандарту ISO 9001;
- Лицензия ФСБ на осуществление работ с использованием сведений, составляющих государственную тайну;
- Поставка специализированных компонентов (Xilinx, Altera, Analog Devices, Intersil, Interpoint, Microsemi, Aeroflex, Peregrine, Syfer, Eurofarad, Texas Instrument, Miteq, Cobham, E2V, MA-COM, Hittite, Mini-Circuits, General Dynamics и др.);

Помимо этого, одним из направлений компании «ЭлектроПласт» является направление «Источники питания». Мы предлагаем Вам помощь Конструкторского отдела:

- Подбор оптимального решения, техническое обоснование при выборе компонента;
- Подбор аналогов;
- Консультации по применению компонента;
- Поставка образцов и прототипов;
- Техническая поддержка проекта;
- Защита от снятия компонента с производства.



#### Как с нами связаться

**Телефон:** 8 (812) 309 58 32 (многоканальный)

**Факс:** 8 (812) 320-02-42

**Электронная почта:** [org@eplast1.ru](mailto:org@eplast1.ru)

**Адрес:** 198099, г. Санкт-Петербург, ул. Калинина, дом 2, корпус 4, литера А.