

REVISIONS

| P | LTR | DESCRIPTION | DATE | DWN | APVD |
|---|-----|---------------|-----------|-----|------|
| | AA | ECO-18-002373 | 08FEB2018 | PV | HS |

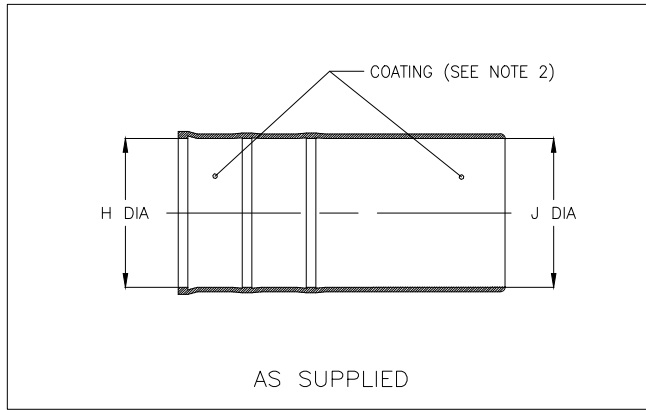


TABLE OF DIMENSIONS


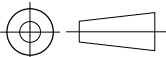
| PART NUMBER | H | | J | | | P ±10% b | R Ref b | S Ref b | T Ref b | JO ±10% b | W ±20% b | PP ±10% b | RR ±10% b |
|-------------|----------------|----------------|----------------|----------------|----------------|-----------------|----------------|---------------|----------------|-----------------|----------------|-----------------|-----------------|
| | Min a | Max b | Min a | Min a | Max b | | | | | | | | |
| 202D121 | 23.3 [.92] | 10.5 [.41] | 23.3 [.92] | 23.3 [.92] | 5.6 [.22] | 38.1 [1.50] | 21.1 [.83] | 3.0 [.12] | 1.0 [.04] | 10.2 [.40] | 1.78 [.07] | 15.2 [.60] | N/A |
| 202D132 | 28.4 [1.12] | 14.3 [.56] | 28.4 [1.12] | 28.4 [1.12] | 6.6 [.26] | 54.9 [2.16] | 27.7 [1.09] | 3.0 [.12] | 1.0 [.04] | 16.5 [.65] | 1.78 [.07] | 15.2 [.60] | 21.6 [.85] |
| 202D142 | 31.0 [1.22] | 17.8 [.70] | 31.0 [1.22] | 31.0 [1.22] | 7.2 [.28] | 66.8 [2.63] | 35.3 [1.39] | 3.0 [.12] | 1.0 [.04] | 17.8 [.70] | 2.03 [.08] | 15.2 [.60] | 24.5 [.96] |
| 202D153 | 36.0 [1.42] | 22.4 [.88] | 36.0 [1.42] | 36.0 [1.42] | 8.4 [.33] | 80.0 [3.15] | 41.4 [1.63] | 3.0 [.12] | 1.0 [.04] | 20.8 [.82] | 2.03 [.08] | 15.2 [.60] | 29.7 [1.17] |
| 202D163 | 42.7 [1.68] | 28.2 [1.11] | 42.7 [1.68] | 42.7 [1.68] | 9.9 [.39] | 103.6 [4.08] | 56.4 [2.22] | 3.0 [.12] | 1.65 [.065] | 24.6 [.97] | 2.29 [.09] | 15.2 [.60] | 36.7 [1.44] |
| 202D174 | 51.8 [2.04] | 35.1 [1.38] | 51.8 [2.04] | 51.8 [2.04] | 15.8 [.62] | 130.3 [5.13] | 64.5 [2.54] | 3.0 [.12] | 1.65 [.065] | 39.6 [1.56] | 3.30 [.13] | 15.2 [.60] | 53.8 [2.12] |
| 202D185 | 66.0 [2.60] | 44.5 [1.75] | 66.0 [2.60] | 66.0 [2.60] | 20.4 [.80] | 165.1 [6.50] | 84.1 [3.31] | 3.0 [.12] | 2.0 [.08] | 48.3 [1.90] | 4.06 [.16] | 15.2 [.60] | 65.6 [2.59] |
| 202D196 | 81.7 [3.22] | 57.6 [2.27] | 81.7 [3.22] | 57.1 [2.25] | 25.4 [1.00] | 177.8 [7.00] | 95.3 [3.75] | 3.0 [.12] | 2.0 [.08] | 47.8 [1.88] | 4.06 [.16] | 15.2 [.60] | 67.1 [2.64] |

RELEASED FOR PUBLICATION

ALL RIGHTS RESERVED.

© COPYRIGHT 2018 TE Connectivity Ltd.

THIS DRAWING IS UNPUBLISHED.

| | | | | | | |
|---|------------------|-----------|---|-------------|----------------|---------------|
| DIMENSIONS: mm [INCHES] | DWN P. VU | 08FEB2018 | MATERIAL | SEE SHEET 2 | FINISH | - |
| | CHK S. KURUP | 08FEB2018 |  TE Connectivity Ltd. | | | |
| TOLERANCES UNLESS OTHERWISE SPECIFIED: | APVD H. SMITH | 08FEB2018 | | | | |
| 0 PLC ± - | PRODUCT SPEC | - | NAME | | | |
| 1 PLC ± - | - | - | STRAIGHT BOOT, WITH LIPS | | | |
| 2 PLC ± - | APPLICATION SPEC | - | SIZE | CAGE CODE | DRAWING NO | RESTRICTED TO |
| 3 PLC ± - | - | - | A4 | 00779 | 202D121THRU196 | - |
| 4 PLC ± - | WEIGHT | - | CUSTOMER DRAWING | | | |
| ANGLES ± - | - | - | SCALE | DNS | SHEET | 1 OF 2 |
|  | - | - | REV AA | | | |

| REVISIONS | | | | | |
|-----------|-----|-------------|------|-----|------|
| P | LTR | DESCRIPTION | DATE | DWN | APVD |
| | - | SEE SHEET 1 | - | - | - |

| COMPATIBILITY CHART | | | | |
|---------------------|-----------------------------------|--------------------|-------------------|-------------------|
| MATERIAL DASH NO. | MATERIAL DESCRIPTION | SPEC REFERENCE | COATING SLASH NO. | COATING S NO. |
| -3 | Polyolefin, semi-rigid | RT-301 | /42;/86;/180 | S1017;S1048;S1030 |
| -4 | Polyolefin, flexible | RT-1304 | /42;/86;/180 | S1017;S1048;S1030 |
| -12 | Fluoroelastomer, flexible | RT-1312 | N/A | N/A |
| -25 | Elastomer, fluid-resistant | RW-2070 | /42;/86;/225 | S1017;S1048;S1125 |
| -100 | Polyolefin, semi-flexible Zerohal | RT-1323 RW-2082 | /86;/180 | S1048;S1030 |

ORDERING INFORMATION




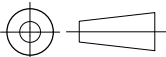
NOTES:

- Dimensions appearing in table are as follows:
a - As supplied
b - After unrestricted recovery
- Coating is optional. As supplied dimensions appearing in table are for uncoated parts. When coating is added, entry diameter will reduce by 1.5mm [.06] Max.
- Injection and vent ports are optional. When -00 modification no. is specified parts shall have injection and vent ports as shown, and shall be supplied with plug 002A011 and riser 204A711. Note that size 202D121 does not have vent port.
- On sizes 202D121 thru 202D153 parts only have 2 lips.
- /225 adhesive coating is not applicable to size 202D196.

RELEASED FOR PUBLICATION

ALL RIGHTS RESERVED.

© COPYRIGHT 2018 TE Connectivity Ltd.

| | | | | | | |
|---|------------------|-----------|---|-----------|----------------|-----------------------------|
| DIMENSIONS: mm [INCHES] | DWN P. VU | 08FEB2018 | MATERIAL | - | FINISH | - |
| | CHK S. KURUP | 08FEB2018 |  TE Connectivity Ltd. | | | |
| TOLERANCES UNLESS OTHERWISE SPECIFIED: | APVD H. SMITH | 08FEB2018 | | | | |
| 0 PLC ± - | PRODUCT SPEC | - | NAME | | | STRAIGHT BOOT, WITH LIPS |
| 1 PLC ± - | APPLICATION SPEC | - | SIZE | CAGE CODE | DRAWING NO | RESTRICTED TO |
| 2 PLC ± - | | | A4 | 00779 | 202D121THRU196 | - |
| 3 PLC ± - | WEIGHT | - | CUSTOMER DRAWING | | | SCALE |
| 4 PLC ± - | | | DNS | | | SHEET |
| ANGLES ± - | | | 2 OF 2 | | | REV |
|  | | | AA | | | |



Компания «ЭлектроПласт» предлагает заключение долгосрочных отношений при поставках импортных электронных компонентов на взаимовыгодных условиях!

Наши преимущества:

- Оперативные поставки широкого спектра электронных компонентов отечественного и импортного производства напрямую от производителей и с крупнейших мировых складов;
- Поставка более 17-ти миллионов наименований электронных компонентов;
- Поставка сложных, дефицитных, либо снятых с производства позиций;
- Оперативные сроки поставки под заказ (от 5 рабочих дней);
- Экспресс доставка в любую точку России;
- Техническая поддержка проекта, помощь в подборе аналогов, поставка прототипов;
- Система менеджмента качества сертифицирована по Международному стандарту ISO 9001;
- Лицензия ФСБ на осуществление работ с использованием сведений, составляющих государственную тайну;
- Поставка специализированных компонентов (Xilinx, Altera, Analog Devices, Intersil, Interpoint, Microsemi, Aeroflex, Peregrine, Syfer, Eurofarad, Texas Instrument, Miteq, Cobham, E2V, MA-COM, Hittite, Mini-Circuits, General Dynamics и др.);

Помимо этого, одним из направлений компании «ЭлектроПласт» является направление «Источники питания». Мы предлагаем Вам помощь Конструкторского отдела:

- Подбор оптимального решения, техническое обоснование при выборе компонента;
- Подбор аналогов;
- Консультации по применению компонента;
- Поставка образцов и прототипов;
- Техническая поддержка проекта;
- Защита от снятия компонента с производства.



Как с нами связаться

Телефон: 8 (812) 309 58 32 (многоканальный)

Факс: 8 (812) 320-02-42

Электронная почта: org@eplast1.ru

Адрес: 198099, г. Санкт-Петербург, ул. Калинина, дом 2, корпус 4, литера А.