

THIS DRAWING IS UNPUBLISHED. RELEASED FOR PUBLICATION AUG ,2006.
 © COPYRIGHT - BY TYCO ELECTRONICS CORPORATION. ALL RIGHTS RESERVED.

LOC	DIST	REVISIONS					
DW		P	LTR	DESCRIPTION	DATE	DWN	APVD
		G		REVISED PER ECR-16-003830	14MAR16	FL	SY

WEIGHT(g)	PCI-E COMPLIANCE	HOUSING MATERIAL	DIM. L	DIM. E	DIM. D	DIM. C	DIM. B	DIM. A	POS.	HOUSING COLOR	MIN. GOLD THICKNESS	PART NUMBER
8.7	GEN II & GEN III	PA9T	2.30	71.35	70	73.15	89	71.65	164	BLACK	15u"	4-1734774-8
5.45										WHITE	G/F	4-1734774-7
3.85				BLACK	15u"	4-1734774-6						
2.55				WHITE	G/F	4-1734774-5						
8.7				BLACK	15u"	4-1734774-4						
				WHITE	G/F	4-1734774-3						
				BLACK	15u"	4-1734774-2						
				WHITE	G/F	4-1734774-1						
5.45				BLACK	15u"	3-1734774-6						
				WHITE	G/F	3-1734774-5						
				BLACK	15u"	3-1734774-4						
				WHITE	G/F	3-1734774-3						
3.85			BLACK	15u"	3-1734774-2							
			WHITE	G/F	3-1734774-1							
			BLACK	15u"	3-1734774-0							
			WHITE	G/F	2-1734774-9							
2.55			BLACK	15u"	2-1734774-8							
			WHITE	G/F	2-1734774-7							
			BLACK	15u"	2-1734774-6							
			WHITE	G/F	2-1734774-5							
3.10			BLACK	15u"	2-1734774-4							
			WHITE	G/F	2-1734774-3							
			BLACK	15u"	2-1734774-2							
			WHITE	G/F	2-1734774-1							
	BLACK	15u"	2-1734774-0									
	WHITE	G/F	1-1734774-9									
	BLACK	15u"	1-1734774-8									
	WHITE	G/F	1-1734774-7									
	BLACK	15u"	1-1734774-6									
	WHITE	G/F	1-1734774-5									
	BLACK	15u"	1-1734774-4									
	WHITE	G/F	1-1734774-3									
8.7	BLACK	15u"	1-1734774-2									
	WHITE	G/F	1-1734774-1									
	BLACK	15u"	1-1734774-0									
	WHITE	G/F	1734774-9									
5.45	BLACK	15u"	1734774-8									
	WHITE	G/F	1734774-7									
	BLACK	15u"	1734774-6									
	WHITE	G/F	1734774-5									
3.85	BLACK	15u"	1734774-4									
	WHITE	G/F	1734774-3									
	BLACK	15u"	1734774-2									
	WHITE	G/F	1734774-1									

WEIGHT(g)	PCI-E COMPLIANCE	HOUSING MATERIAL	DIM. L	DIM. E	DIM. D	DIM. C	DIM. B	DIM. A	POS.	HOUSING COLOR	MIN. GOLD THICKNESS	PART NUMBER
8.8	GEN II	PA46	2.30	71.35	70	73.15	89	71.65	164	BLACK	15u"	9-1734774-7
5.5										WHITE	G/F	9-1734774-6
3.9				BLACK	15u"	9-1734774-5						
2.55				WHITE	G/F	9-1734774-4						
8.8				BLACK	15u"	9-1734774-3						
				WHITE	G/F	9-1734774-2						
				BLACK	15u"	9-1734774-1						
				WHITE	G/F	9-1734774-0						
5.5				BLACK	15u"	8-1734774-5						
				WHITE	G/F	8-1734774-4						
				BLACK	15u"	8-1734774-3						
				WHITE	G/F	8-1734774-2						
3.9			BLACK	15u"	8-1734774-1							
			WHITE	G/F	8-1734774-0							
			BLACK	15u"	7-1734774-9							
			WHITE	G/F	7-1734774-8							
2.55			BLACK	15u"	7-1734774-7							
			WHITE	G/F	7-1734774-6							
			BLACK	15u"	7-1734774-5							
			WHITE	G/F	7-1734774-4							
3.10			BLACK	15u"	7-1734774-3							
			WHITE	G/F	7-1734774-2							
			BLACK	15u"	7-1734774-1							
			WHITE	G/F	7-1734774-0							
	BLACK	15u"	6-1734774-9									
	WHITE	G/F	6-1734774-8									
	BLACK	15u"	6-1734774-7									
	WHITE	G/F	6-1734774-6									
	BLACK	15u"	6-1734774-5									
	WHITE	G/F	6-1734774-4									
	BLACK	15u"	6-1734774-3									
	WHITE	G/F	6-1734774-2									
8.8	BLACK	15u"	6-1734774-1									
	WHITE	G/F	6-1734774-0									
	BLACK	15u"	5-1734774-9									
	WHITE	G/F	5-1734774-8									
5.5	BLACK	15u"	5-1734774-7									
	WHITE	G/F	5-1734774-6									
	BLACK	15u"	5-1734774-5									
	WHITE	G/F	5-1734774-4									
3.9	BLACK	15u"	5-1734774-3									
	WHITE	G/F	5-1734774-2									
	BLACK	15u"	5-1734774-1									
	WHITE	G/F	5-1734774-0									

THIS DRAWING IS A CONTROLLED DOCUMENT.		DWN	B. HSING	15JUL2009
DIMENSIONS: MM		CHK	S. CHIEN	15JUL2009
TOLERANCES UNLESS OTHERWISE SPECIFIED:		APVD	W. KODAMA	15JUL2009
0 PLC ± -		NAME		
1 PLC ± 0.3		PCI EXPRESS CARD EDGE CONNECTOR		
2 PLC ± 0.2		VERTICAL, DIP TYPE, 3GIO		
3 PLC ± 0.15		SIZE		
4 PLC ± -		CAGE CODE		
ANGLES ± 3'		DRAWING NO		
MATERIAL		RESTRICTED TO		
FINISH		A3 00779 C=1734774		
WEIGHT		SCALE		
CUSTOMER DRAWING		SHEET 1 OF 5		
		REV G		

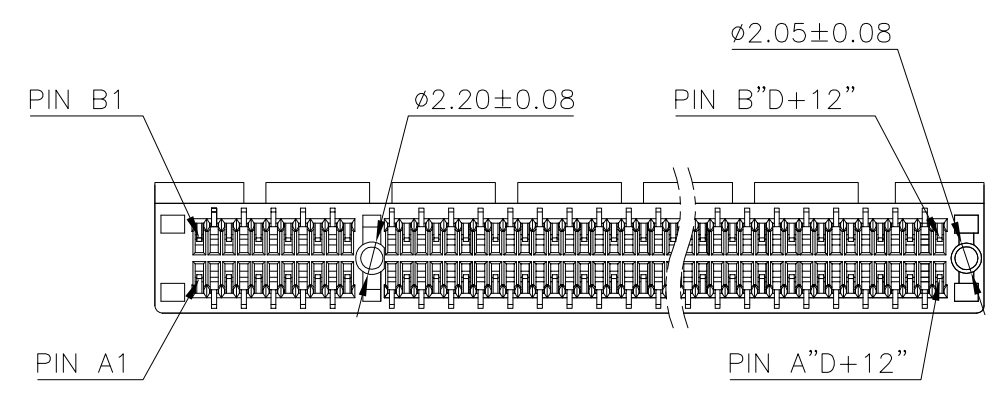
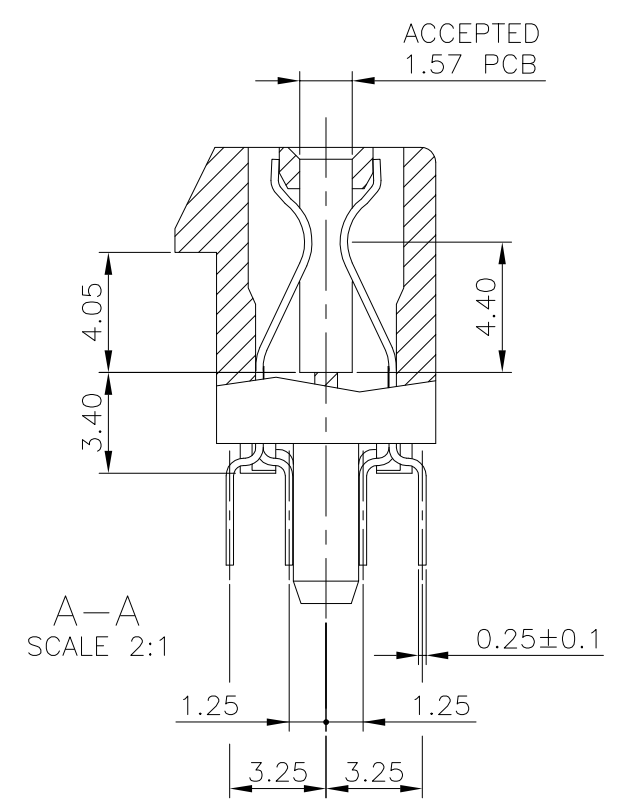
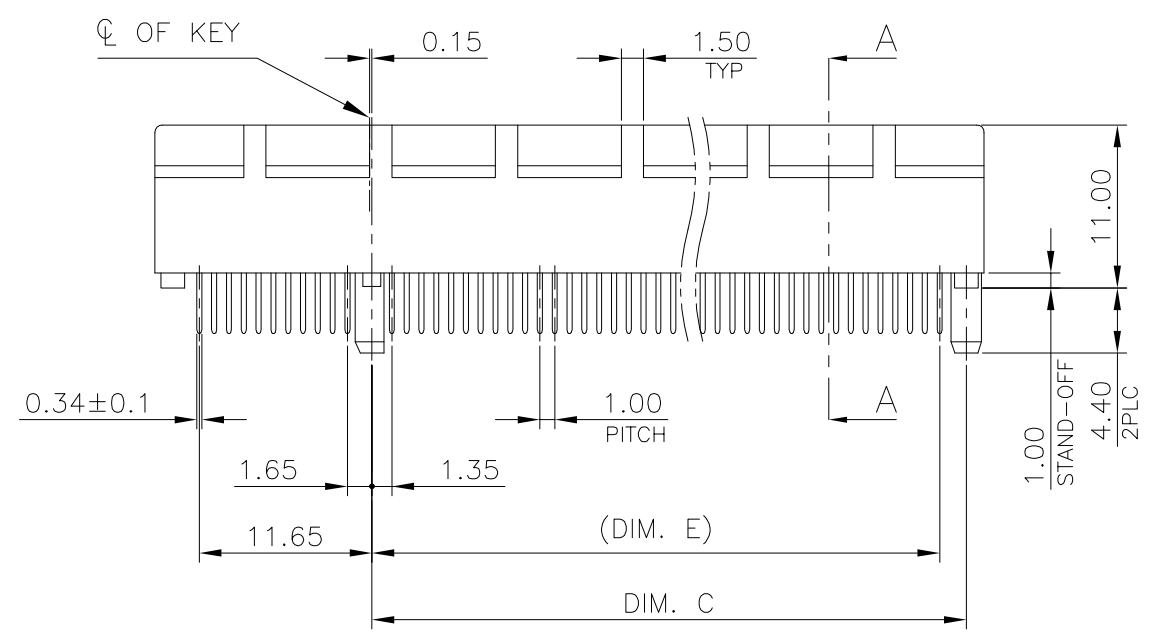
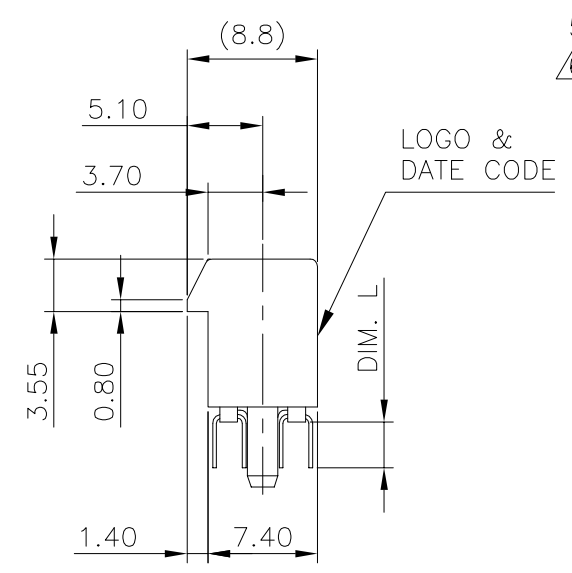
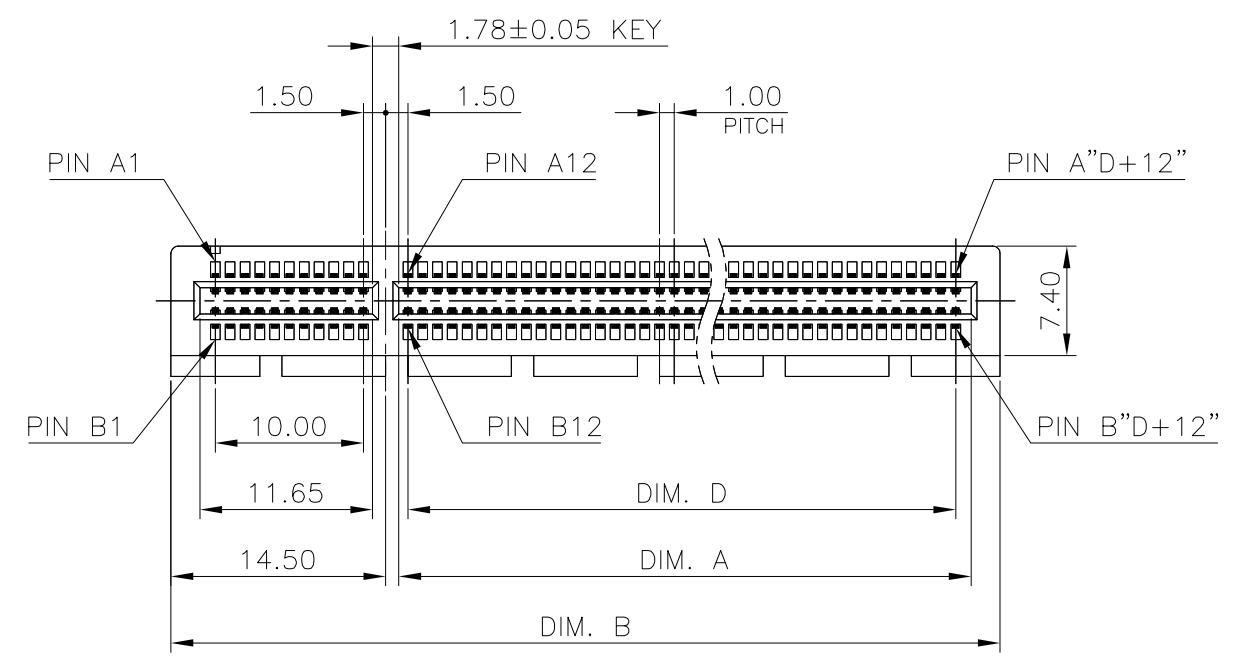
THIS DRAWING IS UNPUBLISHED. RELEASED FOR PUBLICATION AUG ,2006.
 © COPYRIGHT BY TYCO ELECTRONICS CORPORATION. ALL RIGHTS RESERVED.

LOC		DIST		REVISIONS				
P	LTR	DESCRIPTION			DATE	DWN	APVD	
		SEE SHEET 1						

- NOTES:
- MATERIAL:
 - HOUSING: 1.PA46 WITH 40% G.F, UL94 V-0, COLOR: SEE TABLE.
2.PA9T WITH 30% GF, UL94 V-0, COLOR: SEE TABLE.
 - CONTACT: PHOSPHOR BRONZE
 - FINISH:

CONTACT: (SEE TABLE) GOLD PLATING ON CONTACT AREA.
2.54um [100u"] MIN. MATTE-TIN PALTING ON SOLDER TAIL AREA.
1.27um [50u"] MIN. NICKEL UNDERPLATING OVERALL.
 - CONNECTOR HAS MET THE REQUIREMENTS PER PCI EXPRESS GEN 2 TECHNICAL DOCUMENT.
 - WEIGHT:

36 POS.: 2.55 GRAMS; 64 POS.: 3.90 GRAMS
98 POS.: 5.50 GRAMS; 164 POS.: 8.80 GRAMS
 - WAVE SOLDER CAPABLE TO 265°C PER TEST SPEC. 109-202 CONDITION B.
 ⚠️ REFLOW SOLDER CAPABLE TO 260°C PER TEST SPEC. 109-201 CONDITION B.
 (REFLOW SOLDERING PLEASE USE PN : 1734774-1 TO 4-1734774-8)



THIS DRAWING IS A CONTROLLED DOCUMENT.		DWN	TE Connectivity		
DIMENSIONS: MM		CHK	NAME		
TOLERANCES UNLESS OTHERWISE SPECIFIED:		APVD	PCI EXPRESS CARD EDGE CONNECTOR VERTICAL, DIP TYPE, 3GIO		
0 PLC ± -		PRODUCT SPEC	SIZE	CAGE CODE	DRAWING NO
1 PLC ± 0.3		APPLICATION SPEC	A3	00779	C=1734774
2 PLC ± 0.2		WEIGHT	RESTRICTED TO		
3 PLC ± 0.15		SEE NOTE 4	-		
4 PLC ± -		CUSTOMER DRAWING	SCALE	SHEET	REV
ANGLES ± 3'			-	2 OF 5	G
MATERIAL	FINISH				
SEE NOTE	SEE NOTE				

4

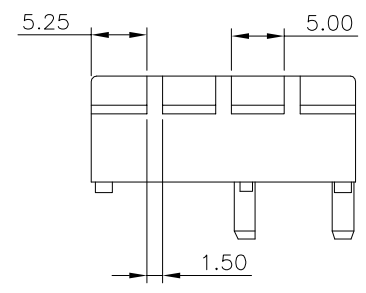
3

2

1

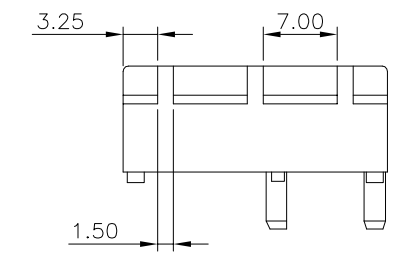
THIS DRAWING IS UNPUBLISHED. RELEASED FOR PUBLICATION AUG ,2006.
 © COPYRIGHT BY TYCO ELECTRONICS CORPORATION. ALL RIGHTS RESERVED.

LOC	DIST	REVISIONS			
P	LTR	DESCRIPTION	DATE	DWN	APVD
		SEE SHEET 1.			

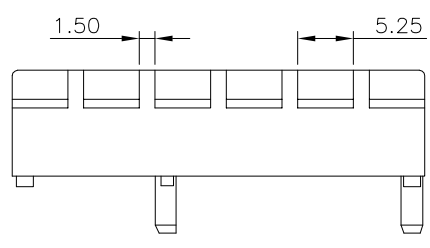


PN X-1 TO 4-X-8
(PA9T TYPE)

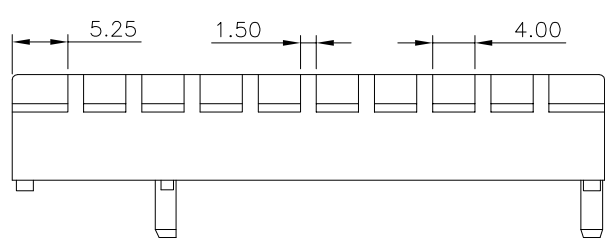
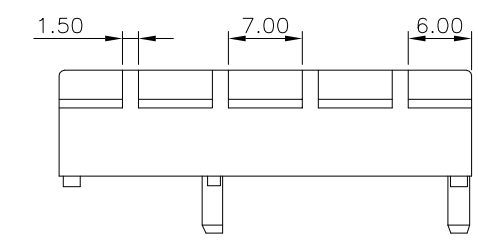
36 POS.



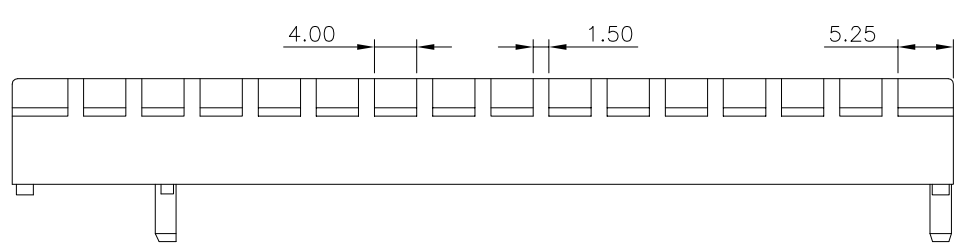
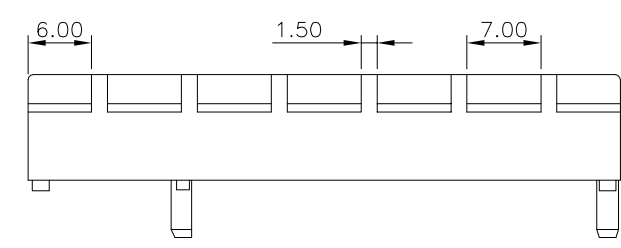
PN 5-X-0 TO 9-X-7
(PA46 TYPE)



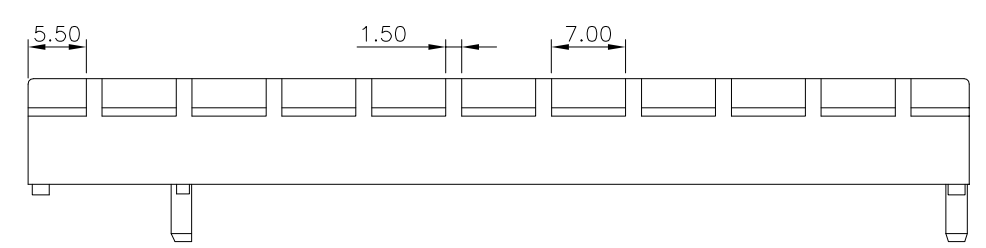
64 POS.



98 POS.



164 POS.



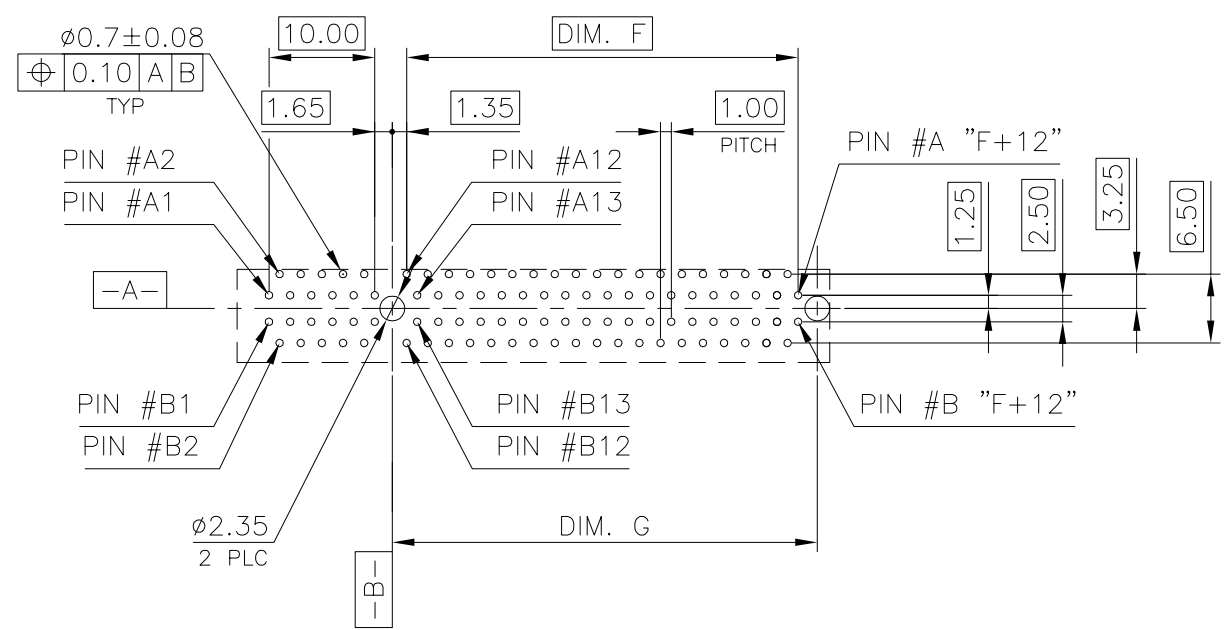
THIS DRAWING IS A CONTROLLED DOCUMENT.		DWN	TE Connectivity NAME PCI EXPRESS CARD EDGE CONNECTOR VERTICAL, DIP TYPE, 3GIO				
DIMENSIONS: MM		CHK					
TOLERANCES UNLESS OTHERWISE SPECIFIED:		APVD					
0 PLC ± - 1 PLC ± 0.25 2 PLC ± 0.25 3 PLC ± 0.25 4 PLC ± - ANGLES ± -		PRODUCT SPEC					
MATERIAL		FINISH	APPLICATION SPEC	SIZE	CAGE CODE	DRAWING NO	RESTRICTED TO
			WEIGHT	A3	00779	C=1734774	
CUSTOMER DRAWING			SCALE	SHEET	3 OF 5	REV	G

THIS DRAWING IS UNPUBLISHED. RELEASED FOR PUBLICATION AUG ,2006.
 © COPYRIGHT BY TYCO ELECTRONICS CORPORATION. ALL RIGHTS RESERVED.

LOC	DIST	REVISIONS			
P	LTR	DESCRIPTION	DATE	DWN	APVD
		SEE SHEET 1.			

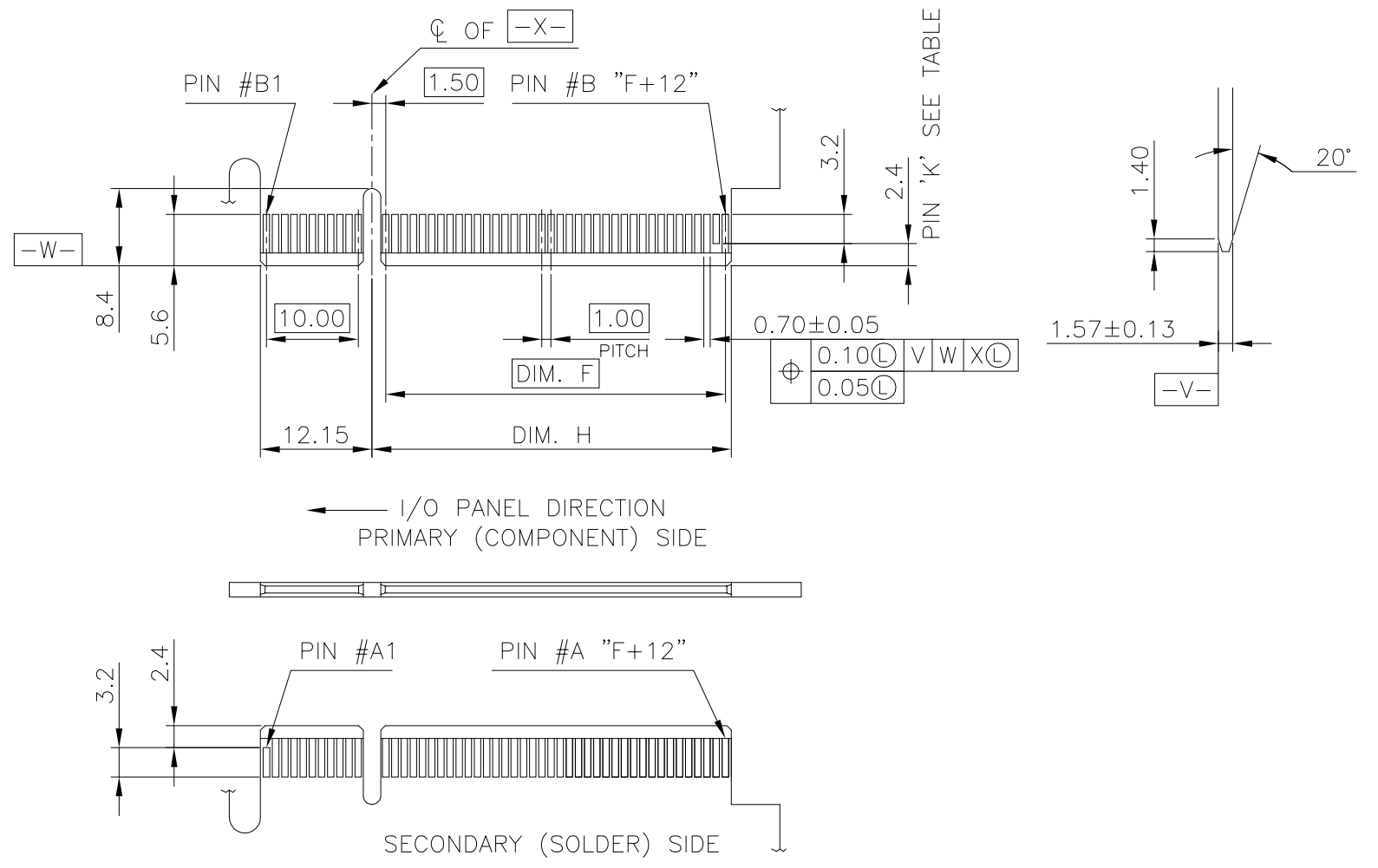
ADD-IN CARD EDGE-FINGER DIMENSIONS

NOTES:
 CHAMFER EDGE MUST BE FREE OF CUTTING BURRS



RECOMMENDED PCB LAYOUT

TOLERANCE: ±0.05
 FOR DIM.L=3.1mm PCB THICKNESS: 2.4mm
 FOR DIM.L=2.3mm PCB THICKNESS: 1.6mm

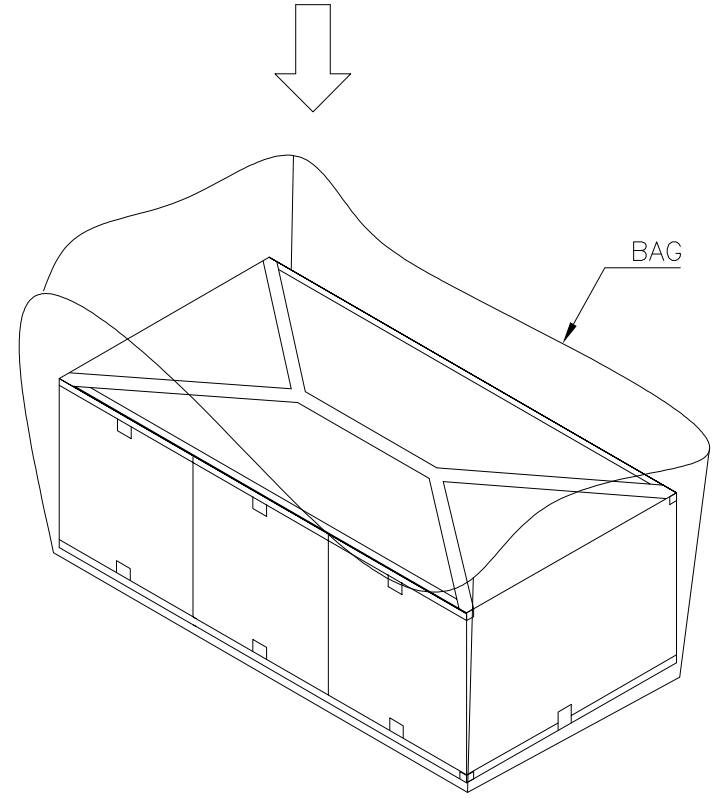
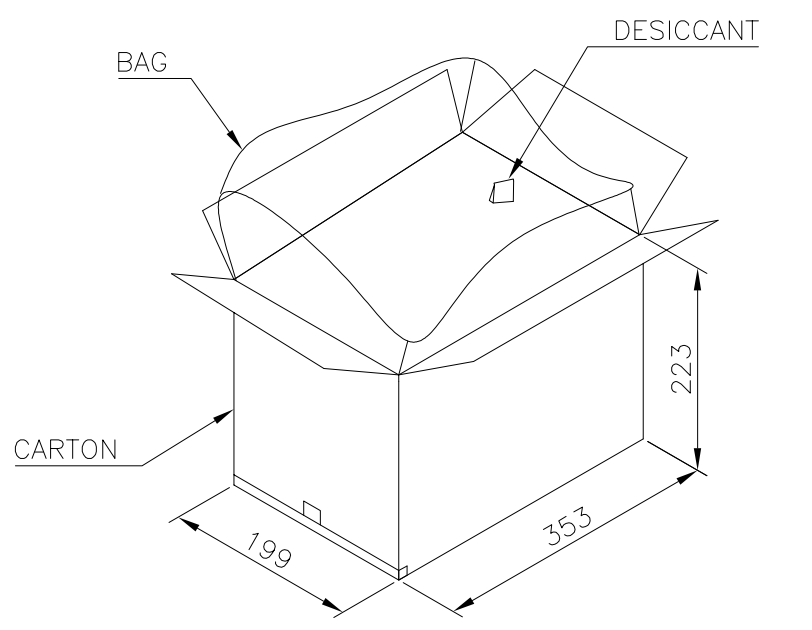
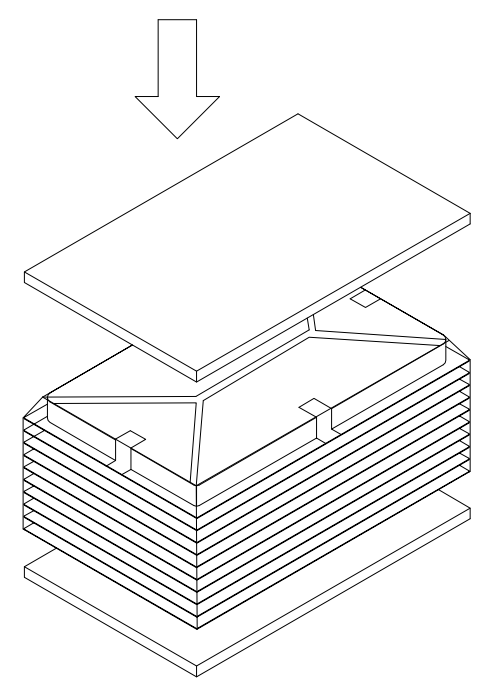
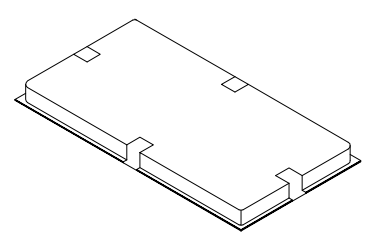
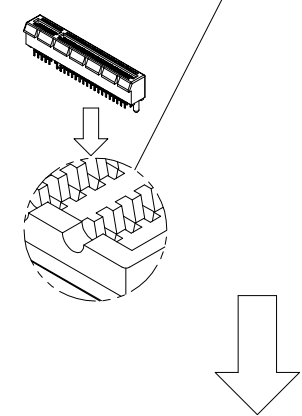
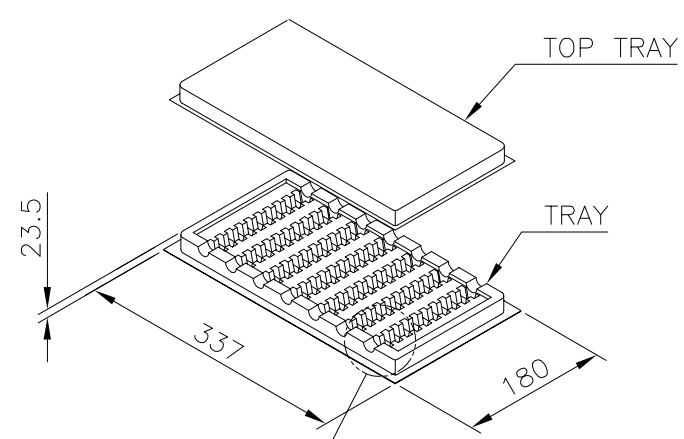


POS.	DIM. F	DIM. G	DIM. H	"K"
164	70.0	73.15	72.15	A1, B17, B31, B48, B81
98	37.0	40.15	39.15	A1, B17, B31, B48
64	20.0	23.15	22.15	A1, B17, B31
36	6.0	9.15	8.15	A1, B17

THIS DRAWING IS A CONTROLLED DOCUMENT.		DWN			
DIMENSIONS: MM		CHK			
TOLERANCES UNLESS OTHERWISE SPECIFIED:		APVD		NAME	
0 PLC ± - 1 PLC ± - 2 PLC ± - 3 PLC ± - 4 PLC ± - ANGLES ± -		PRODUCT SPEC		PCI EXPRESS CARD EDGE CONNECTOR VERTICAL, DIP TYPE, 3GIO	
MATERIAL		FINISH		SIZE CAGE CODE DRAWING NO RESTRICTED TO	
				A3 00779 C=1734774	
		WEIGHT		SCALE SHEET 4 OF 5 REV G	
		CUSTOMER DRAWING			

THIS DRAWING IS UNPUBLISHED. RELEASED FOR PUBLICATION AUG ,2006.
 © COPYRIGHT BY TYCO ELECTRONICS CORPORATION. ALL RIGHTS RESERVED.

LOC	DIST	REVISIONS					
DW		P	LTR	DESCRIPTION	DATE	DWN	APVD
				SEE SHEET 1.			



- NOTES :
- MATERIAL :
 TRAY : PVC, COLOR: TRANSPARENT.
 CARTON: CORRUGATED FIBER
 BOX: CORRUGATED FIBER
 - DIMENSION :
 TRAY: SEE DRAWING
 CARTON: SEE DRAWING
 BOX : SEE DRAWING
 - QUANTITY : SEE TABLE
 - WEIGHT : SEE TABLE

10.2 Kg	8.2 Kg	30	10	3	900	164
9.0 Kg	7.0 Kg	40	10	3	1200	98
8.5 Kg	6.5 Kg	60	10	3	1800	64
7.6 Kg	5.6 Kg	70	10	3	2100	36
GROSS WEIGHT	NET WEIGHT	PCS/ TRAY	TRAY/ CARTON	CARTON/ BOX	PCS/ BOX	POS.

THIS DRAWING IS A CONTROLLED DOCUMENT.		DWN		TE Connectivity	
DIMENSIONS: MM		CHK			
TOLERANCES UNLESS OTHERWISE SPECIFIED:		APVD		NAME	
0 PLC ± -		PRODUCT SPEC		PCI EXPRESS CARD EDGE CONNECTOR	
1 PLC ± -		APPLICATION SPEC		VERTICAL, DIP TYPE, 3GIO	
2 PLC ± -		WEIGHT		SIZE	
3 PLC ± -		CUSTOMER DRAWING		CAGE CODE	
4 PLC ± -		SCALE		DRAWING NO	
ANGLES ± -		SHEET		RESTRICTED TO	
MATERIAL		FINISH		A3 00779 C=1734774	
		REV		G	



Компания «ЭлектроПласт» предлагает заключение долгосрочных отношений при поставках импортных электронных компонентов на взаимовыгодных условиях!

Наши преимущества:

- Оперативные поставки широкого спектра электронных компонентов отечественного и импортного производства напрямую от производителей и с крупнейших мировых складов;
- Поставка более 17-ти миллионов наименований электронных компонентов;
- Поставка сложных, дефицитных, либо снятых с производства позиций;
- Оперативные сроки поставки под заказ (от 5 рабочих дней);
- Экспресс доставка в любую точку России;
- Техническая поддержка проекта, помощь в подборе аналогов, поставка прототипов;
- Система менеджмента качества сертифицирована по Международному стандарту ISO 9001;
- Лицензия ФСБ на осуществление работ с использованием сведений, составляющих государственную тайну;
- Поставка специализированных компонентов (Xilinx, Altera, Analog Devices, Intersil, Interpoint, Microsemi, Aeroflex, Peregrine, Syfer, Eurofarad, Texas Instrument, Miteq, Cobham, E2V, MA-COM, Hittite, Mini-Circuits, General Dynamics и др.);

Помимо этого, одним из направлений компании «ЭлектроПласт» является направление «Источники питания». Мы предлагаем Вам помощь Конструкторского отдела:

- Подбор оптимального решения, техническое обоснование при выборе компонента;
- Подбор аналогов;
- Консультации по применению компонента;
- Поставка образцов и прототипов;
- Техническая поддержка проекта;
- Защита от снятия компонента с производства.



Как с нами связаться

Телефон: 8 (812) 309 58 32 (многоканальный)

Факс: 8 (812) 320-02-42

Электронная почта: org@eplast1.ru

Адрес: 198099, г. Санкт-Петербург, ул. Калинина, дом 2, корпус 4, литера А.