



LTE3401H

SiGe:C low-noise amplifier MMIC with bypass switch for LTE

Rev. 3 — 28 June 2019

Product data sheet

1 General description

The LTE3401H is a high-gain Low-Noise Amplifier (LNA) with bypass switch for LTE receiver applications, available in a small plastic 6-pin thin leadless package.

The LTE3401H delivers system-optimized gain for both primary and diversity applications where sensitivity improvement is required. The high linearity of this low noise device ensures the required receive sensitivity independent of cellular transmit power level in frequency division duplex (FDD) systems. When receive signal strength is sufficient, the LTE3401H can be switched off to operate in bypass mode at increased IP_{3i} level and a 1 μ A supply current, to lower power consumption. The LTE3401H is internally AC coupled and requires only one external matching inductor.

The LTE3401H is optimized for 1710 MHz to 2690 MHz, but supports 1452 MHz - 1710 MHz as well.

2 Features and benefits

- Operating frequency from 1452 MHz to 2690 MHz
- Noise figure = 0.65 dB
- Gain 19.5 dB
- High input 1 dB compression point of -10.5 dBm
- High in band IP_{3i} of +2 dBm
- Bypass switch insertion loss of 2.7 dB
- Supply voltage 1.5 V to 3.1 V
- Integrated RF supply decoupling capacitor
- Optimized performance at a supply current of 13.4 mA
- Bypass mode current consumption < 1 μ A
- Integrated temperature stabilized bias for easy design
- Requires only one input matching inductor
- Input and Output AC coupled through DC blocking capacitors
- Integrated matching for the output
- ESD protection on all pins
- Low bill of materials (BOM)
- 6 pins leadless package: 1.1 mm x 0.7 mm x 0.37 mm: 0.40 mm pitch
- 180 GHz transit frequency - SiGe:C technology
- Moisture sensitivity Level 1



3 Applications

- LNA for LTE reception in smart phones
- feature phones
- tablet PCs
- RF front-end modules

4 Quick reference data

Table 1. Quick reference data

$f = 2140$ MHz; $V_{CC} = 2.8$ V; $V_{I(CTRL)} > 0.8$ V; $T_{amb} = 25$ °C. Input matched to 50Ω using application diagram from [Figure 3](#) and component values as in [Table 10](#). Unless otherwise specified.

Symbol	Parameter	Conditions	Min	Typ	Max	Unit
I_{CC}	supply current	in gain mode	-	13.4	16.8	mA
		in bypass mode	-	-	1	μ A
G_p	power gain	in gain mode	-	19.5	-	dB
		in bypass mode	-	-2.7	-	dB
NF	noise figure	[1]	-	0.65	-	dB
$P_{I(1\text{ dB})}$	input power at 1 dB gain compression		-	-10.5	-	dBm
IP3 _i	input third-order intercept point	$\Delta f = 1$ MHz	-	+2.0	-	dBm

[1] PCB losses are subtracted.

5 Ordering information

Table 2. Ordering information

Type number	Orderable part number	Package		Version
		Name	Description	
LTE3401H	LTE3401HX	XSON6	plastic extremely thin small outline package; no leads; 6 terminals; body 1.1 x 0.7 x 0.37 mm	SOT1232

6 Marking

Table 3. Marking code

Type number	Marking code
LTE3401H	W

7 Functional diagram

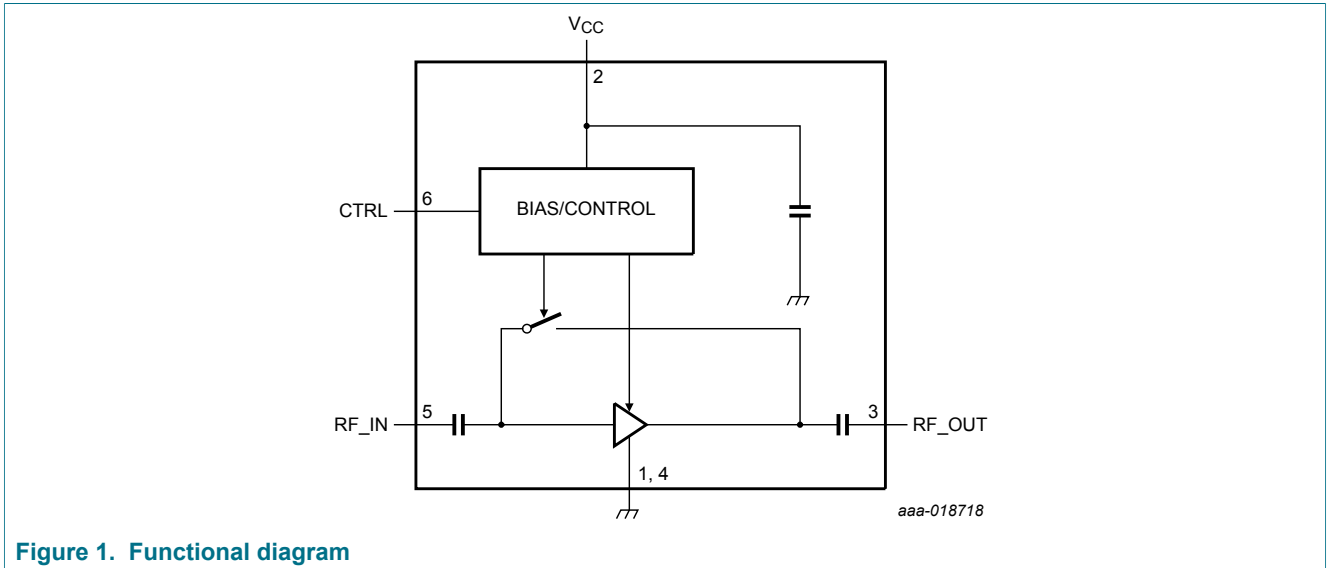


Figure 1. Functional diagram

8 Pinning information

8.1 Pinning

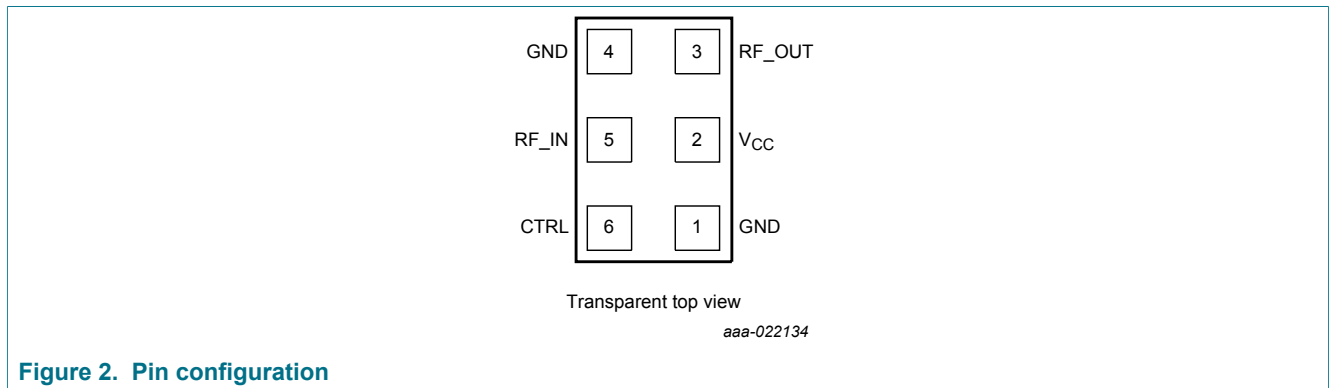


Figure 2. Pin configuration

8.2 Pin description

Table 4. Pinning

Symbol	Pin	Description
GND	1	RF ground
V _{CC}	2	supply voltage
RF_OUT	3	RF out
GND	4	RF ground
RF_IN	5	RF in
CTRL	6	gain control, switch between gain and bypass mode

9 Limiting values

Table 5. Limiting values

In accordance with the absolute maximum rating system (IEC 60134). See section 18.3 "Disclaimers", paragraph "Limiting values".

Symbol	Parameter	Conditions	Min	Max	Unit
V _{CC}	supply voltage		-0.5	+5.0	V
V _{I(CTRL)}	input voltage on pin CTRL	V _{I(CTRL)} < V _{CC} + 0.6 V	-0.5	+5.0	V
V _{I(RF_IN)}	input voltage on pin RF_IN	DC	[1] -0.5	+0.6	V
V _{I(RF_OUT)}	input voltage on pin RF_OUT	DC, V _{I(RF_OUT)} < V _{CC} + 0.6 V	[1] -0.5	+5.0	V
P _i	input power	RF	-	26	dBm
		RF	[2] -	23	dBm
P _o	output power	RF gain mode, at V _{CC} = 1.8 V	-	12	dBm
		RF bypass mode, at V _{CC} = 1.8 V	-	10	dBm
T _{stg}	storage temperature		-65	+150	°C
T _j	junction temperature		-	150	°C
V _{ESD}	electrostatic discharge voltage	human body model (HBM) according to ANSI/ESDA/JEDEC standard JS-001	[3] -	±2	kV
		charged device model (CDM) according to ANSI/ESDA/JEDEC standard JS-002	-	±1	kV

[1] The RF input and output are AC coupled through internal DC Blocking capacitors.

[2] f = 2140 MHz; 200 Hrs at T_{amb} = 100 °C.

[3] HBM ESD protection level is according to JS-001 classification 2 (2000 V to < 4000 V).

10 Operating conditions

Table 6. Operating conditions

Symbol	Parameter	Conditions	Min	Typ	Max	Unit
V _{CC}	supply voltage		1.5	-	3.1	V
T _{amb}	ambient temperature		-40	25	85	°C
V _{I(CTRL)}	input voltage on pin CTRL	bypass mode	-	-	0.25	V
		gain mode	0.8	-	-	V

11 Thermal characteristics

Table 7. Thermal characteristics

Symbol	Parameter	Conditions	Typ	Unit
R _{th(j-sp)}	junction to solder point thermal resistance		225	K/W

12 Characteristics

Table 8. Characteristics

1452 MHz ≤ f ≤ 2690 MHz; V_{CC} = 1.8 V; T_{amb} = 25 °C; input matched 50 Ω using application diagram from [Figure 3](#) and component values as in [Table 10](#). Unless otherwise specified.

Symbol	Parameter	Conditions	Min	Typ	Max	Unit
Gain mode specifications by frequency point						
I _{CC}	supply current	V _{I(CTRL)} > 0.8 V	-	12.7	15.8	mA
G _p	power gain	f = 1452 MHz	-	21.0	-	dB
		f = 1710 MHz	-	20.5	-	dB
		f = 2140 MHz	-	19.0	-	dB
		f = 2690 MHz	-	17.0	-	dB
ΔG _p	power gain variation	using input matching inductor 2.7 nH				
		f = 1800 MHz - 2690 MHz ^[1]	-	+/-2.25	-	dB
		f = 1800 MHz - 2200 MHz ^[1]	-	+/-1.75	-	dB
		f = 2300 MHz - 2690 MHz ^[1]	-	+/-1.75	-	dB
ΔG/ΔT	gain variation with temperature		-	-0.015	-	dB/°C
NF	noise figure	f = 1452 MHz ^[2]	-	0.55	-	dB
		f = 1710 MHz ^[2]	-	0.55	-	dB
		f = 2140 MHz ^[2]	-	0.65	-	dB
		f = 2690 MHz ^[2]	-	0.75	-	dB
P _{I(1dB)}	input power at 1 dB gain compression	f = 1452 MHz	-	-16.5	-	dBm
		f = 1710 MHz	-	-15.5	-	dBm
		f = 2140 MHz	-	-13.5	-	dBm
		f = 2690 MHz	-	-10.5	-	dBm
IP _{3i}	input third-order intercept point	f = 1452 MHz, Δf = 1 MHz	-	-5	-	dBm
		f = 1710 MHz, Δf = 1 MHz	-	-2	-	dBm
		f = 2140 MHz, Δf = 1 MHz	-	0	-	dBm
		f = 2690 MHz, Δf = 1 MHz	-	+2.5	-	dBm
RL _{in}	input return loss	f = 1452 MHz	-	8	-	dB
		f = 1710 MHz	-	8	-	dB
		f = 2140 MHz	-	10	-	dB
		f = 2690 MHz	-	12	-	dB

SiGe:C low-noise amplifier MMIC with bypass switch for LTE

Symbol	Parameter	Conditions	Min	Typ	Max	Unit	
RL _{out}	output return loss	f = 1452 MHz	-	10	-	dB	
		f = 1710 MHz	-	10	-	dB	
		f = 2140 MHz	-	14	-	dB	
		f = 2690 MHz	-	9	-	dB	
ISL	isolation	f = 1452 MHz	-	34	-	dB	
		f = 1710 MHz	-	32	-	dB	
		f = 2140 MHz	-	30	-	dB	
		f = 2690 MHz	-	30	-	dB	
K	Rollett stability factor		1	-	-		
t _{on}	turn-on time	time from V _{I(CTRL)} ON, to 90 % of the gain	-	-	1	µs	
t _{off}	turn-off time	time from V _{I(CTRL)} OFF, to 10 % of the gain	-	-	1	µs	
Bypass mode specifications by frequency point							
I _{CC}	supply current	V _{I(CTRL)} < 0.25 V	-	-	1.0	µA	
G _p	power gain	f = 1452 MHz	-	-1.8	-	dB	
		f = 1710 MHz	-	-2.5	-	dB	
		f = 2140 MHz	-	-2.7	-	dB	
		f = 2690 MHz	-	-3.0	-	dB	
RL _{in}	input return loss	f = 1452 MHz	-	15	-	dB	
		f = 1710 MHz	-	12	-	dB	
		f = 2140 MHz	-	13	-	dB	
		f = 2690 MHz	-	12	-	dB	
RL _{out}	output return loss	f = 1452 MHz	-	14	-	dB	
		f = 1710 MHz	-	8	-	dB	
		f = 2140 MHz	-	10	-	dB	
		f = 2690 MHz	-	15	-	dB	
Gain mode specifications for wideband frequency range							
G _p	power gain	f = 1800 MHz - 2690 MHz	[1]	14.7	18	21.7	dB
		f = 1800 MHz - 2200 MHz	[1]	16.7	18	21.7	dB
		f = 2300 MHz - 2690 MHz	[1]	14.7	18	20.5	dB
NF	noise figure	f = 1800 MHz - 2690 MHz	[1]	-	0.8	1.3	dB
		f = 1800 MHz - 2200 MHz	[1]	-	0.8	1.3	dB
		f = 2300 MHz - 2690 MHz	[1]	-	0.8	1.3	dB

Symbol	Parameter	Conditions	Min	Typ	Max	Unit
P _{i(1dB)}	input power at 1 dB gain compression	f = 1800 MHz - 2690 MHz ^[1]	-18	-13	-	dBm
		f = 1800 MHz - 2200 MHz ^[1]	-17	-12	-	dBm
		f = 2300 MHz - 2690 MHz ^[1]	-18	-13	-	dBm
IP _{3i}	input third-order intercept point	f = 1800 MHz - 2690 MHz ^[1]	-5	0	-	dBm
		f = 1800 MHz - 2200 MHz ^[1]	-5	0	-	dBm
		f = 2300 MHz - 2690 MHz ^[1]	-2	3	-	dBm
VSWR _i	input voltage standing wave ratio	f = 1800 MHz - 2690 MHz ^[1]	-	-	4	-
VSWR _o	output voltage standing wave ratio	f = 1800 MHz - 2690 MHz ^[1]	-	-	4	-
ISL	isolation	f = 1800 MHz - 2690 MHz ^[1]	25	-	-	dB
Δφ	phase variation	f = 1800 MHz - 2690 MHz ^[1]	-8	-	+8	deg

[1] Guaranteed by device design; not tested in production.

[2] PCB losses are subtracted.

Table 9. Characteristics

1452 MHz ≤ f ≤ 2690 MHz; V_{CC} = 2.8 V; T_{amb} = 25 °C; input matched 50 Ω using application diagram from Figure 3 and component values as in Table 10. Unless otherwise specified.

Symbol	Parameter	Conditions	Min	Typ	Max	Unit
Gain mode specifications by frequency point						
I _{CC}	supply current	V _{I(CTRL)} > 0.8 V	-	13.4	16.8	mA
G _p	power gain	f = 1452 MHz	-	21.5	-	dB
		f = 1710 MHz	-	21.0	-	dB
		f = 2140 MHz	-	19.5	-	dB
		f = 2690 MHz	-	17.5	-	dB
ΔG/ΔT	gain variation with temperature		-	-0.015	-	dB/°C
NF	noise figure	f = 1452 MHz [1]	-	0.55	-	dB
		f = 1710 MHz [1]	-	0.55	-	dB
		f = 2140 MHz [1]	-	0.65	-	dB
		f = 2690 MHz [1]	-	0.75	-	dB
P _{I(1dB)}	input power at 1 dB gain compression	f = 1452 MHz	-	-13.5	-	dBm
		f = 1710 MHz	-	-12.5	-	dBm
		f = 2140 MHz	-	-10.5	-	dBm
		f = 2690 MHz	-	-7.5	-	dBm
IP _{3i}	input third-order intercept point	f = 1452 MHz, Δf = 1 MHz	-	-3	-	dBm
		f = 1710 MHz, Δf = 1 MHz	-	0	-	dBm
		f = 2140 MHz, Δf = 1 MHz	-	2	-	dBm
		f = 2690 MHz, Δf = 1 MHz	-	4.5	-	dBm
RL _{in}	input return loss	f = 1452 MHz	-	9	-	dB
		f = 1710 MHz	-	9	-	dB
		f = 2140 MHz	-	11	-	dB
		f = 2690 MHz	-	12	-	dB
RL _{out}	output return loss	f = 1452 MHz	-	10	-	dB
		f = 1710 MHz	-	10	-	dB
		f = 2140 MHz	-	14	-	dB
		f = 2690 MHz	-	9	-	dB
ISL	isolation	f = 1452 MHz	-	34	-	dB
		f = 1710 MHz	-	32	-	dB
		f = 2140 MHz	-	30	-	dB
		f = 2690 MHz	-	30	-	dB
K	Rollett stability factor		1	-	-	

SiGe:C low-noise amplifier MMIC with bypass switch for LTE

Symbol	Parameter	Conditions	Min	Typ	Max	Unit
t_{on}	turn-on time	time from $V_{I(CTRL)}$ ON, to 90 % of the gain	-	-	1	μs
t_{off}	turn-off time	time from $V_{I(CTRL)}$ OFF, to 10 % of the gain	-	-	1	μs
Bypass mode specifications by frequency point						
I_{CC}	supply current	$V_{I(CTRL)} < 0.25 V$	-	-	1.0	μA
G_p	power gain	f = 1452 MHz	-	-1.8	-	dB
		f = 1710 MHz	-	-2.5	-	dB
		f = 2140 MHz	-	-2.7	-	dB
		f = 2690 MHz	-	-3.0	-	dB
RL_{in}	input return loss	f = 1452 MHz	-	15	-	dB
		f = 1710 MHz	-	12	-	dB
		f = 2140 MHz	-	13	-	dB
		f = 2690 MHz	-	12	-	dB
RL_{out}	output return loss	f = 1452 MHz	-	14	-	dB
		f = 1710 MHz	-	8	-	dB
		f = 2140 MHz	-	10	-	dB
		f = 2690 MHz	-	15	-	dB

[1] PCB losses are subtracted.

13 Application information

13.1 LTE LNA

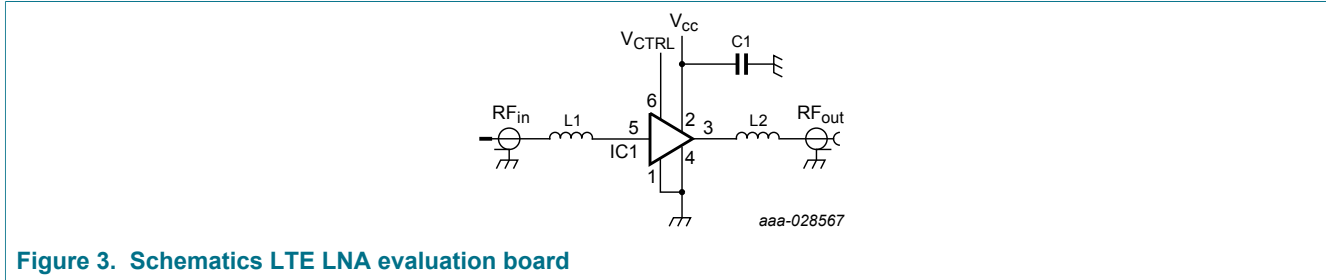


Figure 3. Schematics LTE LNA evaluation board

Table 10. List of components

For schematics, see [Figure 3](#).

Component	Description	Value	Remarks
C ₁	decoupling capacitor	1 μF	The total capacitance on the V _{CC} node must be at least 1 μF. It must be positioned at a short distance from the V _{CC} pin (preferably within 15 mm). Typically, such capacitance is already present at the output of the V _{CC} voltage regulator.
IC1	LTE3401H		NXP
L1	high-quality matching inductor	8.2 nH	1452 - 1560 MHz Murata LQW15A
		5.6 nH	1710 - 1800 MHz Murata LQW15A
		4.3 nH	1800 - 2200 MHz Murata LQW15A
		2.7 nH	1770 - 2690 MHz Murata LQW15A
		2.2 nH	2300 - 2690 MHz Murata LQW15A
L2	output matching inductor	4.7 nH	1452-1560 MHz Murata LQG10A
		no mount	1710-1800 MHz
		no mount	1800-2200 MHz
		no mount	1770-2690 MHz
		no mount	2300-2690 MHz

14 Package outline

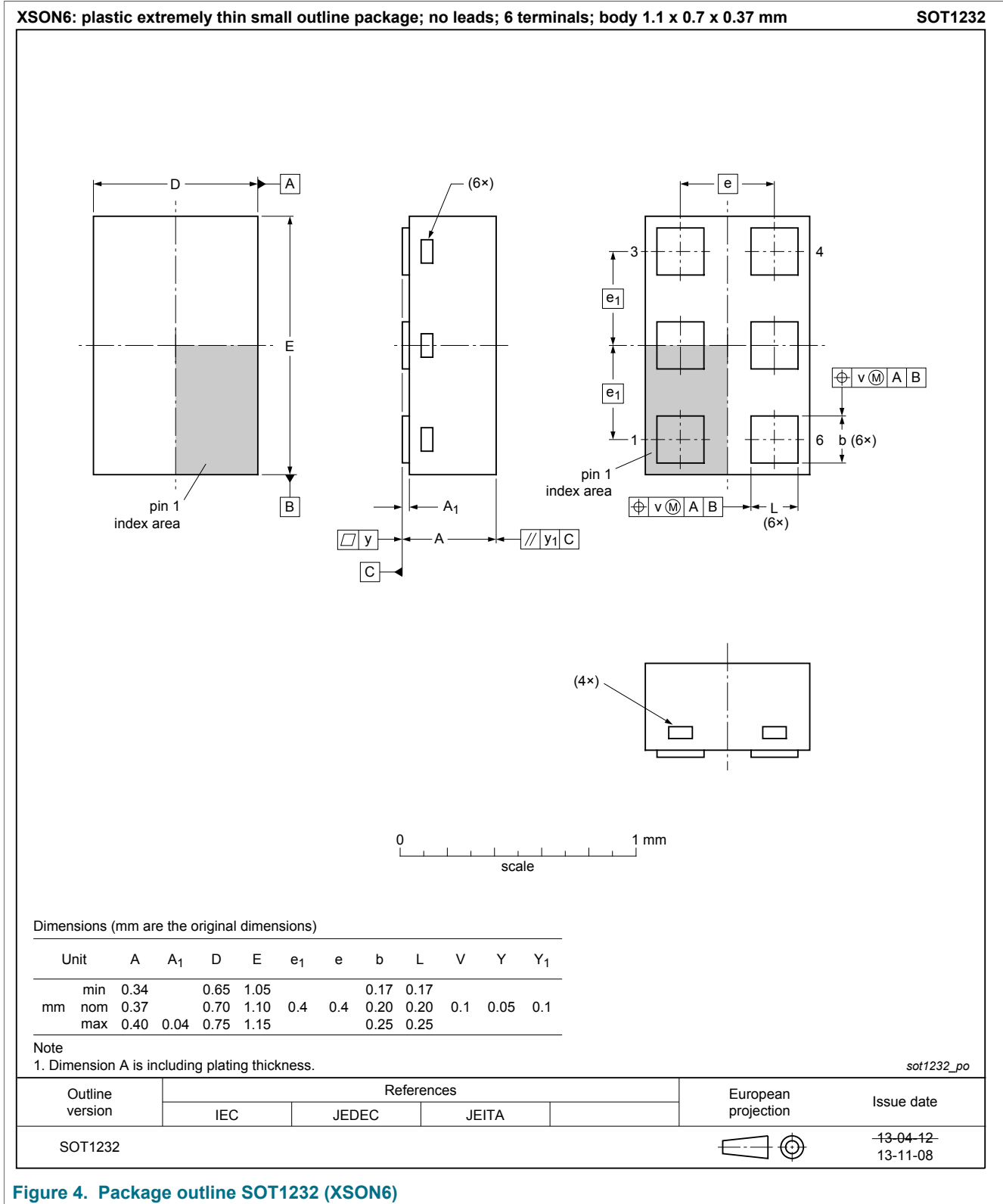


Figure 4. Package outline SOT1232 (XSON6)

15 Handling information

CAUTION



This device is sensitive to ElectroStatic Discharge (ESD). Observe precautions for handling electrostatic sensitive devices. Such precautions are described in the *ANSI/ESD S20.20*, *IEC/ST 61340-5*, *JESD625-A* or equivalent standards.

16 Abbreviations

Table 11. Abbreviations

Acronym	Description
ESD	electrostatic discharge
HBM	human body model
MMIC	monolithic microwave-integrated circuit
MSL	moisture sensitivity level
MUF	molded underfill
LTE	long-term evolution
PCB	printed-circuit board
SiGe:C	silicon germanium carbon

17 Revision history

Table 12. Revision history

Document ID	Release date	Data sheet status	Change notice	Supersedes
LTE3401H v.3	20190628	Product data sheet	-	LTE3401H v.2.3
modification	added chapter with Gain mode specifications for wideband frequency range to Table 8 1.8 V			
LTE3401H v.2.3	20190430	Product data sheet	-	LTE3401H v.2.2
modification	<ul style="list-style-type: none"> added application information for extra frequency range added output power values to the Limiting values table added power gain variation values when using the matching inductor of 2.7 nH 			
LTE3401H v.2.2	20181218	Product data sheet	-	LTE3401H v.2.1
modification	added extra column for Orderable part number to Ordering information table, to prevent confusion			
LTE3401H v.2.1	20181023	Product data sheet	-	LTE3401H v.2
modification	added orderable part number to Ordering information table			
LTE3401H v.2	20180810	Product data sheet	-	LTE3401H v.1
modification	data sheet changed from company confidential to public			
LTE3401H v.1	20172811	Product data sheet	-	-

18 Legal information

18.1 Data sheet status

Document status ^{[1][2]}	Product status ^[3]	Definition
Objective [short] data sheet	Development	This document contains data from the objective specification for product development.
Preliminary [short] data sheet	Qualification	This document contains data from the preliminary specification.
Product [short] data sheet	Production	This document contains the product specification.

- [1] Please consult the most recently issued document before initiating or completing a design.
- [2] The term 'short data sheet' is explained in section "Definitions".
- [3] The product status of device(s) described in this document may have changed since this document was published and may differ in case of multiple devices. The latest product status information is available on the Internet at URL <http://www.nxp.com>.

18.2 Definitions

Draft — The document is a draft version only. The content is still under internal review and subject to formal approval, which may result in modifications or additions. NXP Semiconductors does not give any representations or warranties as to the accuracy or completeness of information included herein and shall have no liability for the consequences of use of such information.

Short data sheet — A short data sheet is an extract from a full data sheet with the same product type number(s) and title. A short data sheet is intended for quick reference only and should not be relied upon to contain detailed and full information. For detailed and full information see the relevant full data sheet, which is available on request via the local NXP Semiconductors sales office. In case of any inconsistency or conflict with the short data sheet, the full data sheet shall prevail.

Product specification — The information and data provided in a Product data sheet shall define the specification of the product as agreed between NXP Semiconductors and its customer, unless NXP Semiconductors and customer have explicitly agreed otherwise in writing. In no event however, shall an agreement be valid in which the NXP Semiconductors product is deemed to offer functions and qualities beyond those described in the Product data sheet.

18.3 Disclaimers

Limited warranty and liability — Information in this document is believed to be accurate and reliable. However, NXP Semiconductors does not give any representations or warranties, expressed or implied, as to the accuracy or completeness of such information and shall have no liability for the consequences of use of such information. NXP Semiconductors takes no responsibility for the content in this document if provided by an information source outside of NXP Semiconductors. In no event shall NXP Semiconductors be liable for any indirect, incidental, punitive, special or consequential damages (including - without limitation - lost profits, lost savings, business interruption, costs related to the removal or replacement of any products or rework charges) whether or not such damages are based on tort (including negligence), warranty, breach of contract or any other legal theory. Notwithstanding any damages that customer might incur for any reason whatsoever, NXP Semiconductors' aggregate and cumulative liability towards customer for the products described herein shall be limited in accordance with the Terms and conditions of commercial sale of NXP Semiconductors.

Right to make changes — NXP Semiconductors reserves the right to make changes to information published in this document, including without limitation specifications and product descriptions, at any time and without

notice. This document supersedes and replaces all information supplied prior to the publication hereof.

Suitability for use — NXP Semiconductors products are not designed, authorized or warranted to be suitable for use in life support, life-critical or safety-critical systems or equipment, nor in applications where failure or malfunction of an NXP Semiconductors product can reasonably be expected to result in personal injury, death or severe property or environmental damage. NXP Semiconductors and its suppliers accept no liability for inclusion and/or use of NXP Semiconductors products in such equipment or applications and therefore such inclusion and/or use is at the customer's own risk.

Applications — Applications that are described herein for any of these products are for illustrative purposes only. NXP Semiconductors makes no representation or warranty that such applications will be suitable for the specified use without further testing or modification. Customers are responsible for the design and operation of their applications and products using NXP Semiconductors products, and NXP Semiconductors accepts no liability for any assistance with applications or customer product design. It is customer's sole responsibility to determine whether the NXP Semiconductors product is suitable and fit for the customer's applications and products planned, as well as for the planned application and use of customer's third party customer(s). Customers should provide appropriate design and operating safeguards to minimize the risks associated with their applications and products. NXP Semiconductors does not accept any liability related to any default, damage, costs or problem which is based on any weakness or default in the customer's applications or products, or the application or use by customer's third party customer(s). Customer is responsible for doing all necessary testing for the customer's applications and products using NXP Semiconductors products in order to avoid a default of the applications and the products or of the application or use by customer's third party customer(s). NXP does not accept any liability in this respect.

Limiting values — Stress above one or more limiting values (as defined in the Absolute Maximum Ratings System of IEC 60134) will cause permanent damage to the device. Limiting values are stress ratings only and (proper) operation of the device at these or any other conditions above those given in the Recommended operating conditions section (if present) or the Characteristics sections of this document is not warranted. Constant or repeated exposure to limiting values will permanently and irreversibly affect the quality and reliability of the device.

Terms and conditions of commercial sale — NXP Semiconductors products are sold subject to the general terms and conditions of commercial sale, as published at <http://www.nxp.com/profile/terms>, unless otherwise agreed in a valid written individual agreement. In case an individual agreement is concluded only the terms and conditions of the respective agreement shall apply. NXP Semiconductors hereby expressly objects to applying the customer's general terms and conditions with regard to the purchase of NXP Semiconductors products by customer.

No offer to sell or license — Nothing in this document may be interpreted or construed as an offer to sell products that is open for acceptance or the grant, conveyance or implication of any license under any copyrights, patents or other industrial or intellectual property rights.

Quick reference data — The Quick reference data is an extract of the product data given in the Limiting values and Characteristics sections of this document, and as such is not complete, exhaustive or legally binding.

Export control — This document as well as the item(s) described herein may be subject to export control regulations. Export might require a prior authorization from competent authorities.

Non-automotive qualified products — Unless this data sheet expressly states that this specific NXP Semiconductors product is automotive qualified, the product is not suitable for automotive use. It is neither qualified nor tested in accordance with automotive testing or application requirements. NXP Semiconductors accepts no liability for inclusion and/or use of non-automotive qualified products in automotive equipment or applications. In the event that customer uses the product for design-in and use in automotive

applications to automotive specifications and standards, customer (a) shall use the product without NXP Semiconductors' warranty of the product for such automotive applications, use and specifications, and (b) whenever customer uses the product for automotive applications beyond NXP Semiconductors' specifications such use shall be solely at customer's own risk, and (c) customer fully indemnifies NXP Semiconductors for any liability, damages or failed product claims resulting from customer design and use of the product for automotive applications beyond NXP Semiconductors' standard warranty and NXP Semiconductors' product specifications.

Translations — A non-English (translated) version of a document is for reference only. The English version shall prevail in case of any discrepancy between the translated and English versions.

18.4 Trademarks

Notice: All referenced brands, product names, service names and trademarks are the property of their respective owners.

Contents

1	General description	1
2	Features and benefits	1
3	Applications	2
4	Quick reference data	3
5	Ordering information	3
6	Marking	3
7	Functional diagram	4
8	Pinning information	5
8.1	Pinning	5
8.2	Pin description	5
9	Limiting values	6
10	Operating conditions	6
11	Thermal characteristics	6
12	Characteristics	7
13	Application information	12
13.1	LTE LNA	12
14	Package outline	13
15	Handling information	14
16	Abbreviations	14
17	Revision history	14
18	Legal information	15

Please be aware that important notices concerning this document and the product(s) described herein, have been included in section 'Legal information'.

© NXP B.V. 2019.

All rights reserved.

For more information, please visit: <http://www.nxp.com>

For sales office addresses, please send an email to: salesaddresses@nxp.com

Date of release: 28 June 2019

Document identifier: LTE3401H

Document number:



Компания «ЭлектроПласт» предлагает заключение долгосрочных отношений при поставках импортных электронных компонентов на взаимовыгодных условиях!

Наши преимущества:

- Оперативные поставки широкого спектра электронных компонентов отечественного и импортного производства напрямую от производителей и с крупнейших мировых складов;
- Поставка более 17-ти миллионов наименований электронных компонентов;
- Поставка сложных, дефицитных, либо снятых с производства позиций;
- Оперативные сроки поставки под заказ (от 5 рабочих дней);
- Экспресс доставка в любую точку России;
- Техническая поддержка проекта, помощь в подборе аналогов, поставка прототипов;
- Система менеджмента качества сертифицирована по Международному стандарту ISO 9001;
- Лицензия ФСБ на осуществление работ с использованием сведений, составляющих государственную тайну;
- Поставка специализированных компонентов (Xilinx, Altera, Analog Devices, Intersil, Interpoint, Microsemi, Aeroflex, Peregrine, Syfer, Eurofarad, Texas Instrument, Miteq, Cobham, E2V, MA-COM, Hittite, Mini-Circuits, General Dynamics и др.);

Помимо этого, одним из направлений компании «ЭлектроПласт» является направление «Источники питания». Мы предлагаем Вам помощь Конструкторского отдела:

- Подбор оптимального решения, техническое обоснование при выборе компонента;
- Подбор аналогов;
- Консультации по применению компонента;
- Поставка образцов и прототипов;
- Техническая поддержка проекта;
- Защита от снятия компонента с производства.



Как с нами связаться

Телефон: 8 (812) 309 58 32 (многоканальный)

Факс: 8 (812) 320-02-42

Электронная почта: org@eplast1.ru

Адрес: 198099, г. Санкт-Петербург, ул. Калинина, дом 2, корпус 4, литера А.