

LENS MOUNTS

3mm & 5mm LEDs



Visibility:

CLIPLITE produces up to 180 degrees of viewing angle using standard 3 mm and 5 mm LEDs

Brightness:

CLIPLITE utilizes striated lines and fresnel rings to increase apparent brightness up to 125% and viewing angle up to 180 degrees with either diffused or non diffused LEDs. A low profile lens without rings or lines is available for direct sunlight applications

Protection:

CLIPLITE helps prevent IC failures caused by electrostatic discharge (ESD). Simply walking across a carpet can generate 10,000 volts. Introduction of this ESD thru an exposed panel mounted LED is capable of damaging or destroying a semiconductor. A CLIPLITE mounted LED helps guard components from ESD up to 16kV while affording the LED physical protection

Installation:

CLIPLITE, standard or low profile, requires no assembly tools; just snap into a panel opening and insert LED. Cost effective operation is complete in only 6 seconds

Specifications:

Material : Lense - polycarbonate
Spacer - nylon. (U.L. listed materials)

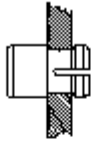
Design : Standard and low profile lens with fresnel rings and striated lines
CLR301 low profile lens is available without fresnel rings

Mounting : Mounts thru front of panel
Mounting holes should be deburred but not chamfered
3 mm (SML 190, SMB 200) mounts in a $.171 \pm 0.002$ (4.34 mm) hole on 1/4 inches centre
Panel thickness for SML 190, 1/32 inches to 1/16 inches; SMB 200, 1/16" to 1/8", 5 mm (CLF 280, CLB 300, CLR 301) mounts in a $0.25 \pm .002$ (6.35 mm) hole on 3/8 inches centre
Panel thickness for CLF 280, 1/16 inches to 1/8 inches; CLB 300 and CLR 301, 1/32 inches to 1/4 inches; for panels less than 3/16 inches, use SPC 125 spacer.

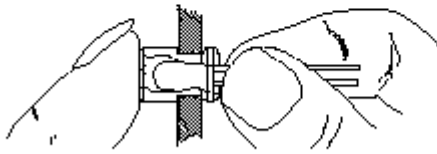
LENS MOUNTS

3mm & 5mm LEDs

Simple Two-Step Installation



1. Snap the CLIPLITE into the panel hole

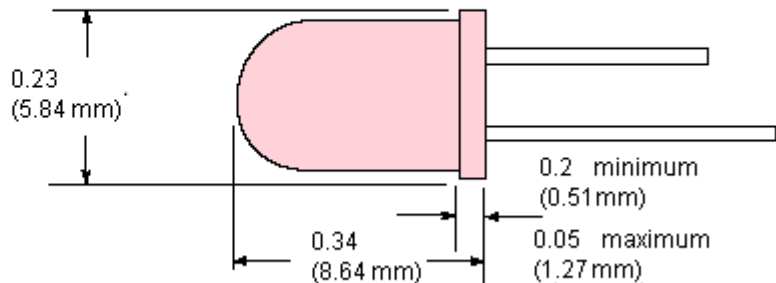
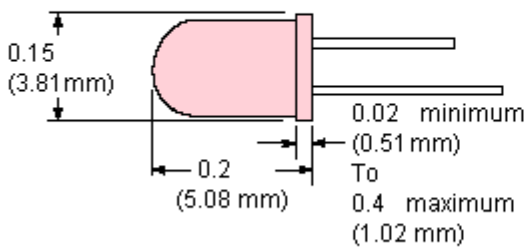


2. While holding the CLIPLITE tight to the panel with your finger, insert the LED into the CLIPLITE from the back

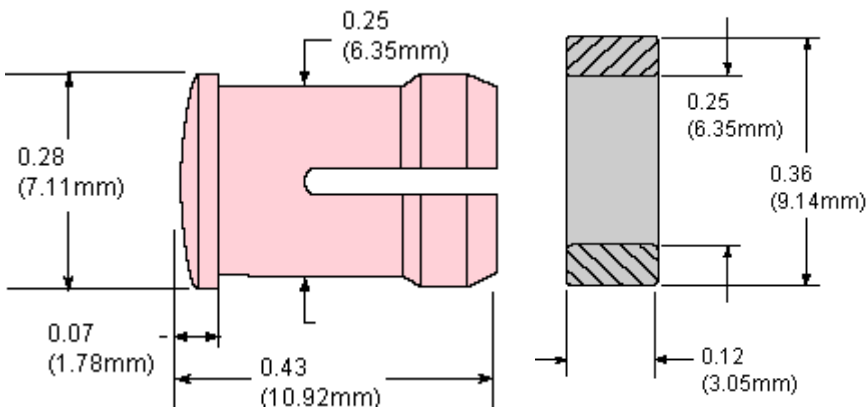
Recommended LEDs

3 mm

5 mm



Outline Drawings

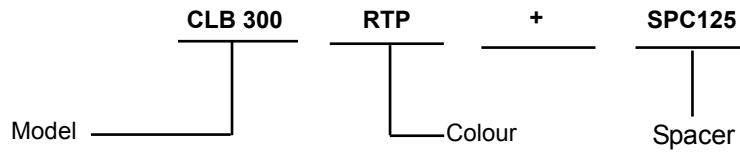


LENS MOUNTS

3mm & 5mm LEDs



Ordering Codes



CLB 300 (5 mm) L/Profile.

- RTP Red Transparent
- ATP Amber Transparent
- GTP Green Transparent
- BTP Blue Transparent
- YTP Yellow Transparent
- CTP Clear Transparent

Part Number Table

Description	Part Number
Lens/Mount, Red	CLB300RTP + SPC125
Lens/Mount, Amber	CLB300ATP + SPC125
Lens/Mount, Yellow	CLB300YTP + SPC125
Lens/Mount, Green	CLB300GTP + SPC125
Lens/Mount, CLR	CLB300CTP + SPC125

Important Notice : This data sheet and its contents (the "Information") belong to the members of the Premier Farnell group of companies (the "Group") or are licensed to it. No licence is granted for the use of it other than for information purposes in connection with the products to which it relates. No licence of any intellectual property rights is granted. The Information is subject to change without notice and replaces all data sheets previously supplied. The Information supplied is believed to be accurate but the Group assumes no responsibility for its accuracy or completeness, any error in or omission from it or for any use made of it. Users of this data sheet should check for themselves the Information and the suitability of the products for their purpose and not make any assumptions based on information included or omitted. Liability for loss or damage resulting from any reliance on the Information or use of it (including liability resulting from negligence or where the Group was aware of the possibility of such loss or damage arising) is excluded. This will not operate to limit or restrict the Group's liability for death or personal injury resulting from its negligence. Multicomp is the registered trademark of the Group. © Premier Farnell plc 2012.



Компания «ЭлектроПласт» предлагает заключение долгосрочных отношений при поставках импортных электронных компонентов на взаимовыгодных условиях!

Наши преимущества:

- Оперативные поставки широкого спектра электронных компонентов отечественного и импортного производства напрямую от производителей и с крупнейших мировых складов;
- Поставка более 17-ти миллионов наименований электронных компонентов;
- Поставка сложных, дефицитных, либо снятых с производства позиций;
- Оперативные сроки поставки под заказ (от 5 рабочих дней);
- Экспресс доставка в любую точку России;
- Техническая поддержка проекта, помощь в подборе аналогов, поставка прототипов;
- Система менеджмента качества сертифицирована по Международному стандарту ISO 9001;
- Лицензия ФСБ на осуществление работ с использованием сведений, составляющих государственную тайну;
- Поставка специализированных компонентов (Xilinx, Altera, Analog Devices, Intersil, Interpoint, Microsemi, Aeroflex, Peregrine, Syfer, Eurofarad, Texas Instrument, Miteq, Cobham, E2V, MA-COM, Hittite, Mini-Circuits, General Dynamics и др.);

Помимо этого, одним из направлений компании «ЭлектроПласт» является направление «Источники питания». Мы предлагаем Вам помощь Конструкторского отдела:

- Подбор оптимального решения, техническое обоснование при выборе компонента;
- Подбор аналогов;
- Консультации по применению компонента;
- Поставка образцов и прототипов;
- Техническая поддержка проекта;
- Защита от снятия компонента с производства.



Как с нами связаться

Телефон: 8 (812) 309 58 32 (многоканальный)

Факс: 8 (812) 320-02-42

Электронная почта: org@eplast1.ru

Адрес: 198099, г. Санкт-Петербург, ул. Калинина, дом 2, корпус 4, литера А.