

## Safety module - PSR-SPP- 24DC/TS/M - 2986025

Please be informed that the data shown in this PDF Document is generated from our Online Catalog. Please find the complete data in the user's documentation. Our General Terms of Use for Downloads are valid (<http://download.phoenixcontact.com>)



A freely configurable master module for the monitoring of emergency stop, safety doors, light grids, etc., with 20 safe inputs and four safe outputs, four message outputs, two clock outputs and two ground switching outputs, can be expanded with additional input/output modules. Width: 67.5 mm

The figure shows a version with a screw connection

### Why buy this product

- ✓ Flexible extension with safe inputs and outputs
- ✓ Option for connecting fieldbus gateways for diagnostics and signaling functions
- ✓ Including IFS-CONFSTICK memory stick for easily storing and saving the configuration
- ✓ Including PSR-TBUS plug-in connector (DIN rail connector) for adapting safe extension modules
- ✓ Easy graphical configuration with the SAFECONF software
- ✓ Multifunctional use for a wide range of safety functions
- ✓ Quick startup thanks to user-friendly simulation and test options
- ✓ Easy graphical configuration instead of complex programming
- ✓ Up to Cat. 4/PL e according to ISO 13849-1, SILCL 3 according to IEC 62061, SIL 3 according to IEC 61508
- ✓ Safe and standard extension via INTERFACE DIN rail TBUS
- ✓ With 20 safe inputs, 4 safe outputs, 4 alarm outputs, and 2 clock outputs on a design width of just 67.5 mm

### Key commercial data

Packing unit	0
Minimum order quantity	1
Catalog page	Page 30 (IF-2011)
GTIN	 4 046356 345897
Custom tariff number	85364900
Country of origin	GERMANY

### Technical data

#### Input data

Nominal input voltage UN	24 V DC
Input voltage range in reference to UN	0.85 ... 1.1
Typical input current at UN	110 mA
Maximum response time	< 30 ms
Bypassing voltage dips	20 ms

# Safety module - PSR-SPP- 24DC/TS/M - 2986025

## Technical data

### Input data

Recovery time	< 10 s
Protective circuit	Surge protection Suppressor diode
Status display	4 LEDs (green, red)
Number of safe inputs	20
Nominal voltage UN	24 V DC
Typical current consumption	4 mA
Signal level "0" signal	< 5 V
Signal level "1" signal	> 11 V
Permissible cable length	2000 m
Error detection time at 1-channel structure	< 1 s

### Output data

Output data	20 safe digital inputs 4 safe digital outputs 4 digital alarm outputs Clock outputs Yes
Number of safe semiconductor outputs	4 (Cat.4 / ISO 13849)
Number of ground switching outputs	2
Nominal voltage UN	24 V DC
Limiting continuous current	2 A (see derating curve)
Max. capacitive load	1 µF (When using electromechanical components (e.g., contactors), the capacitive load can be disregarded.)
Max. inductive load	(A suitable and effective protective circuit is to be provided for inductive loads. A recommended measure is the use of free-wheeling diodes.)
Test pulses	< 1 ms (To ground)
Short-circuit protection	Yes
Clock outputs	Yes
Number of outputs	2
Nominal voltage UN	24 V DC (A1 / A2)
Limiting continuous current	100 mA
Test pulses	~ 100 ms
Short-circuit protection	Yes
Alarm outputs	Yes
Number of outputs	4
Nominal voltage UN	24 V DC (A1 / A2)
Limiting continuous current	100 mA
Short-circuit protection	Yes

### General data

Width	67.5 mm
Height	112 mm
Depth	114.5 mm
Ambient temperature (operation)	-20 °C ... 55 °C
Ambient temperature (storage/transport)	-20 °C ... 70 °C
Mounting position	Horizontal
Category according to EN 13849-1	4

# Safety module - PSR-SPP- 24DC/TS/M - 2986025

## Technical data

### General data

Name	Air and creepage distances between the power circuits
Standards/regulations	DIN EN 50178
Rated surge voltage / insulation	0.8 kV / Basic isolation
Rated insulation voltage	50 V
Pollution degree	2
Surge voltage category	III
Housing material	Polyamide PA non-reinforced
Number of possible safe extension modules	10
Interfaces	USB

### Connection data

Conductor cross section solid min.	0.2 mm <sup>2</sup>
Conductor cross section solid max.	1.5 mm <sup>2</sup>
Conductor cross section stranded min.	0.2 mm <sup>2</sup>
Conductor cross section stranded max.	1.5 mm <sup>2</sup>
Conductor cross section AWG/kcmil min.	24
Conductor cross section AWG/kcmil max	16
Stripping length	8 mm
Connection method	Spring-cage conn.

## Classifications

### eclass

eCl@ss 4.0	27371102
eCl@ss 4.1	27371102
eCl@ss 5.0	27371901
eCl@ss 5.1	27371901
eCl@ss 6.0	27371819

### etim

ETIM 2.0	EC001449
ETIM 3.0	EC001449
ETIM 4.0	EC001449

### unspsc

UNSPSC 6.01	30211901
UNSPSC 7.0901	39121501
UNSPSC 11	39121501
UNSPSC 12.01	39121501
UNSPSC 13.2	39121501

## Approvals

### Certificates

# Safety module - PSR-SPP- 24DC/TS/M - 2986025

## Approvals

Certification

UL Listed / GOST / cUL Listed / cUL Listed

Certification EX

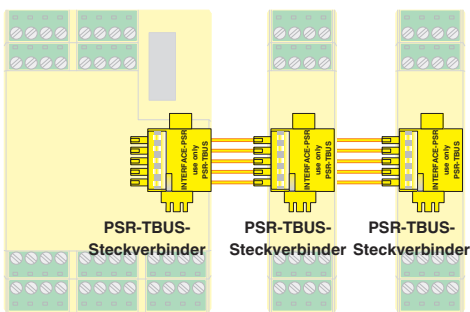
Certification submitted

## Approval details

- UL Listed
- GOST
- cUL Listed
- cUL Listed

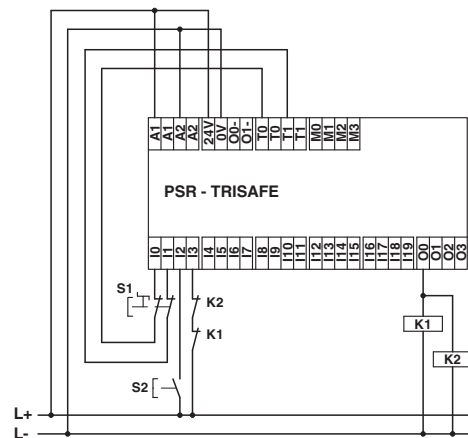
## Drawings

Connection diagram



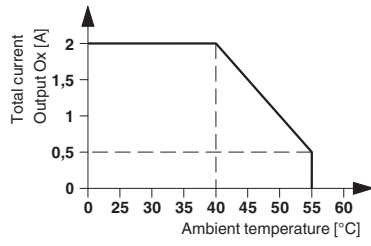
The TBUS connectors carry out the cross-wiring between the modules.

Application drawing

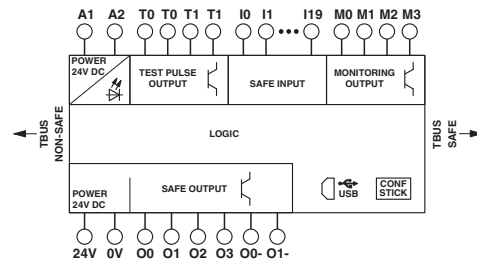


# Safety module - PSR-SPP- 24DC/TS/M - 2986025

Diagram



Circuit diagram



© Phoenix Contact 2012 - all rights reserved  
<http://www.phoenixcontact.com>



Компания «ЭлектроПласт» предлагает заключение долгосрочных отношений при поставках импортных электронных компонентов на взаимовыгодных условиях!

Наши преимущества:

- Оперативные поставки широкого спектра электронных компонентов отечественного и импортного производства напрямую от производителей и с крупнейших мировых складов;
- Поставка более 17-ти миллионов наименований электронных компонентов;
- Поставка сложных, дефицитных, либо снятых с производства позиций;
- Оперативные сроки поставки под заказ (от 5 рабочих дней);
- Экспресс доставка в любую точку России;
- Техническая поддержка проекта, помощь в подборе аналогов, поставка прототипов;
- Система менеджмента качества сертифицирована по Международному стандарту ISO 9001;
- Лицензия ФСБ на осуществление работ с использованием сведений, составляющих государственную тайну;
- Поставка специализированных компонентов (Xilinx, Altera, Analog Devices, Intersil, Interpoint, Microsemi, Aeroflex, Peregrine, Syfer, Eurofarad, Texas Instrument, Miteq, Cobham, E2V, MA-COM, Hittite, Mini-Circuits, General Dynamics и др.);

Помимо этого, одним из направлений компании «ЭлектроПласт» является направление «Источники питания». Мы предлагаем Вам помощь Конструкторского отдела:

- Подбор оптимального решения, техническое обоснование при выборе компонента;
- Подбор аналогов;
- Консультации по применению компонента;
- Поставка образцов и прототипов;
- Техническая поддержка проекта;
- Защита от снятия компонента с производства.



#### Как с нами связаться

**Телефон:** 8 (812) 309 58 32 (многоканальный)

**Факс:** 8 (812) 320-02-42

**Электронная почта:** [org@eplast1.ru](mailto:org@eplast1.ru)

**Адрес:** 198099, г. Санкт-Петербург, ул. Калинина, дом 2, корпус 4, литера А.