

**PLEASE CHECK WWW.MOLEX.COM FOR LATEST PART INFORMATION**

**Part Number:** [0736440207](#)  
**Status:** **Active**  
**Overview:** [hdm](#)  
**Description:** 2.00mm (.079") Pitch HDM® Board-to-Board Backplane Header, Vertical, SMC, Press-Fit, Guide Post Location A, Polarizing Key Position D, 72 Circuits

**Documents:**

[Drawing \(PDF\)](#) [RoHS Certificate of Compliance \(PDF\)](#)

**Agency Certification**

CSA LR19980  
 UL E29179

**General**

Product Family Backplane Connectors  
 Series [73644](#)  
 Application Backplane  
 Comments Standard Press-Fit  
 Component Type PCB Header  
 Overview [hdm](#)  
 Product Name HDM®  
 Style N/A

**Physical**

Circuits (Loaded) 72  
 Circuits (maximum) 72  
 Color - Resin Black, Natural  
 Durability (mating cycles max) 250  
 First Mate / Last Break No  
 Flammability 94V-0  
 Guide to Mating Part Yes  
 Keying to Mating Part Yes  
 Material - Metal Phosphor Bronze, Stainless Steel  
 Material - Plating Mating Gold  
 Material - Plating Termination Gold  
 Material - Resin High Temperature Thermoplastic  
 Number of Columns 12  
 Number of Pairs Open Pin Field  
 Number of Rows 6  
 Orientation Vertical  
 PC Tail Length (in) 0.138 In  
 PC Tail Length (mm) 3.50 mm  
 PCB Locator No  
 PCB Retention Yes  
 PCB Thickness Recommended (in) 0.098 In  
 PCB Thickness Recommended (mm) 2.50 mm  
 Packaging Type Tube  
 Pitch - Mating Interface (in) 0.079 In  
 Pitch - Mating Interface (mm) 2.00 mm  
 Pitch - Term. Interface (in) 0.079 In  
 Pitch - Term. Interface (mm) 2.00 mm  
 Plating min: Mating (µin) 30  
 Plating min: Mating (µm) 0.75  
 Plating min: Termination (µin) 2  
 Plating min: Termination (µm) 0.05  
 Polarized to PCB No

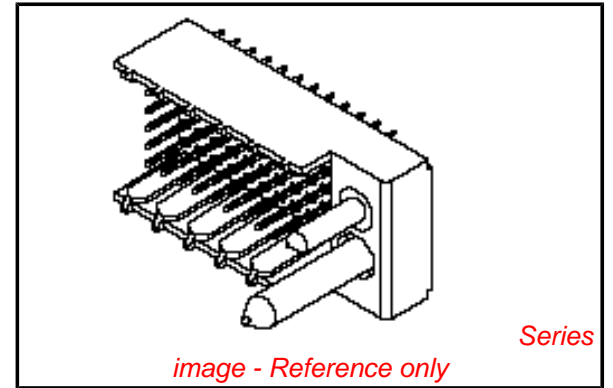


image - Reference only

**EU RoHS**

**ELV and RoHS  
 Compliant  
 REACH SVHC  
 Not Reviewed  
 Halogen-Free  
 Status  
 Not Reviewed**

**China RoHS**



**Need more information on product environmental compliance?**

Email [productcompliance@molex.com](mailto:productcompliance@molex.com)  
 For a multiple part number RoHS Certificate of Compliance, [click here](#)

Please visit the [Contact Us](#) section for any non-product compliance questions.

**Search Parts in this Series**

[73644Series](#)

**Mates With**

[73632 HDM PLUS® Board-to-Board Daughtercard Receptacle](#). [73780 HDM® Board-to-Board Daughtercard Receptacle](#)

**Application Tooling | FAQ**

*Tooling specifications and manuals are found by selecting the products below. Crimp Height Specifications are then contained in the Application Tooling Specification document.*

**Global**

| Description                                  | Product #                  |
|--|----------------------------|
| Flat Rock Tooling for Pneumatic Press        | <a href="#">0622013700</a> |
| HDM® Backplane Insertion Signal Contact Tool | <a href="#">0621001400</a> |
| Extraction Tool                              | <a href="#">0621001000</a> |

|                                |                              |
|--------------------------------|------------------------------|
| Stackable                      | No                           |
| Surface Mount Compatible (SMC) | Yes                          |
| Temperature Range - Operating  | -55°C to +105°C              |
| Termination Interface: Style   | Through Hole - Compliant Pin |

### **Electrical**

|                               |          |
|-------------------------------|----------|
| Current - Maximum per Contact | 1A       |
| Data Rate                     | 1.0 Gbps |
| Real Signals (per 25mm)       | 75       |
| Shielded                      | No       |
| Voltage - Maximum             | 250V AC  |

### **Material Info**

### **Reference - Drawing Numbers**

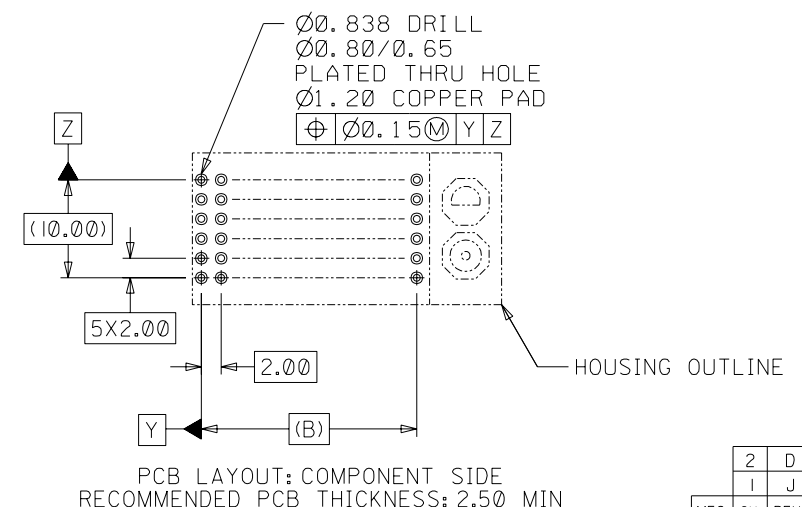
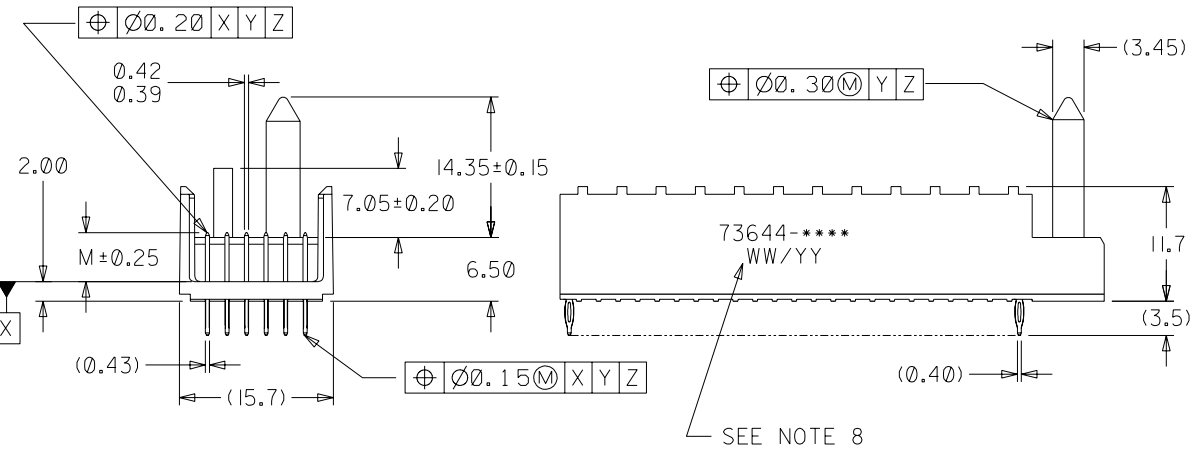
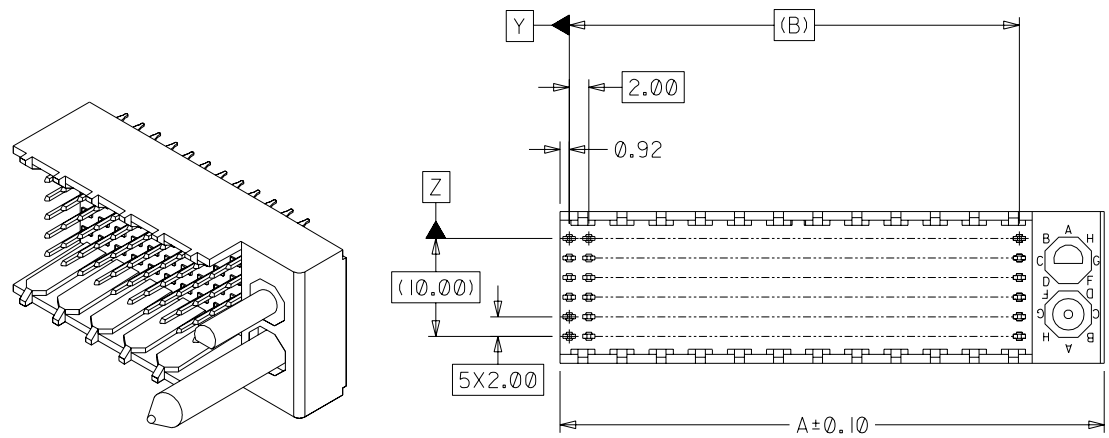
|                         |                |
|-------------------------|----------------|
| Packaging Specification | PK-70873-0818  |
| Sales Drawing           | SDA-73644-**** |

HDM and High Density Metric are trademarks of Amphenol Corporation

This document was generated on 05/14/2010

**PLEASE CHECK [WWW.MOLEX.COM](http://WWW.MOLEX.COM) FOR LATEST PART INFORMATION**

- NOTES:**
1. MATERIALS: HOUSING - LIQUID CRYSTAL POLYMER (LCP), GLASS-FILLED, UL94V-0, COLOR: BLACK, TERMINAL - PHOSPHOR BRONZE.
  2. FINISHES: SELECTIVE GOLD (Au) IN CONTACT AREA, 0.00076mm MINIMUM THICKNESS; NICKEL (Ni) AND GOLD FLASH OVERALL SELECTIVE GOLD (Au) IN CONTACT AREA, 0.00076mm MIN. THICKNESS; SELECTIVE TIN/LEAD (Sb/Pb) IN TAIL AREA; NICKEL (Ni) OVERALL.
  3. THIS PART CONFORMS TO MOLEX PRODUCT SPECIFICATION PS-73670-9999.
  4. FOR MIXED CONTACT MATING LENGTHS, CONSULT FACTORY FOR AVAILABILITY.
  5. DIMENSIONS ARE IN MILLIMETERS.
  6. FOR SPECIFIC MATERIAL NUMBERS, REFER TO SHEET 2.
  7. PACKAGE PER PK-70873-0818.
  8. PARTS MARKED WITH PART NUMBER AND DATE CODE, ON EITHER SIDE, APPROXIMATELY WHERE SHOWN.



|          |      |
|----------|------|
| 2        | D    |
| 1        | J    |
| MFG. SH. | REV. |

|      |  |      |   |   |
|------|--|------|---|---|
|      |  |      | I   | REVISED<br>ECR UDT2000-0348<br>BINGHAM 99/10/12 |
|      |  |      | H   | REVISED<br>ECR UDT1999-0662<br>BINGHAM 99/05/18 |
| J    | REVISED<br>ECR UCP2003-2260<br>THOMAS 03/04/25 | G    | REVISED<br>ECR UDT1999-0476<br>BINGHAM 98/12/21 |   |
| LTR. | REVISIONS                                      | LTR. | REVISIONS                                       |   |

|   |                |
|---|----------------|
| DIMENSIONS SHOWN (METRIC) INCH                        |                |
| UNLESS OTHERWISE SPECIFIED TOLERANCES: ANGULAR ± 1/2° |                |
| 3 PLACE   | ± N/A ---      |
| 2 PLACE   | ± N/A ± 0.05   |
| 1 PLACE   | --- ± 0.10     |
| DRAFT WHERE APPLICABLE MUST REMAIN WITHIN DIMENSIONS  |                |
| DRWG. BY: JRR   | CHK'D. BY: SMR |
| APP'D. BY: CAB  | SCALE: 2 : 1   |

|  |  |                             |                   |
|--|--|-----------------------------|-------------------|
| ▽ = 0  | ▼ = 0  | REVISE ONLY ON CAD SYSTEM   |                   |
| TITLE<br>SALES ASSY, HDM BACKPLANE<br>MODULE, POLAR/GUIDE OPTION |  |                             |                   |
| MOLEX INCORPORATED<br>LISLE, ILL. 60532                          |  | SHEET NO.<br>1 OF 2         | DATE<br>96/12/18  |
| PART NO.<br>SEE CHART  |  | DRWG. NO.<br>SDA-73644-**** |                   |
| FILE NAME<br>S73644X1<br>DGN                                     | THIS DRAWING CONTAINS INFORMATION THAT IS PROPRIETARY TO MOLEX INC. AND SHOULD NOT BE USED WITHOUT WRITTEN PERMISSION. |                             | DIV. SIZE<br>DA B |

| MATERIAL NUMBER | NUMBER OF SIGNAL CONTACTS | PLATING                           | DIM "A" | DIM "B" | DIM "M" |
|-----------------|---------------------------|-----------------------------------|---------|---------|---------|
| 73644-00**      | 72                        | SELECTIVE GOLD/GOLD FLASH         | 31.60   | 22.00   | 5.00    |
| 73644-01**      | 72                        | SELECTIVE GOLD/GOLD FLASH         | 31.60   | 22.00   | 5.50    |
| 73644-02**      | 72                        | SELECTIVE GOLD/GOLD FLASH         | 31.60   | 22.00   | 6.00    |
| 73644-10**      | 144                       | SELECTIVE GOLD/GOLD FLASH         | 55.60   | 46.00   | 5.00    |
| 73644-11**      | 144                       | SELECTIVE GOLD/GOLD FLASH         | 55.60   | 46.00   | 5.50    |
| 73644-12**      | 144                       | SELECTIVE GOLD/GOLD FLASH         | 55.60   | 46.00   | 6.00    |
| 73644-20**      | 72                        | SELECTIVE GOLD/SELECTIVE TIN-LEAD | 31.60   | 22.00   | 5.00    |
| 73644-21**      | 72                        | SELECTIVE GOLD/SELECTIVE TIN-LEAD | 31.60   | 22.00   | 5.50    |
| 73644-22**      | 72                        | SELECTIVE GOLD/SELECTIVE TIN-LEAD | 31.60   | 22.00   | 6.00    |
| 73644-30**      | 144                       | SELECTIVE GOLD/SELECTIVE TIN-LEAD | 55.60   | 46.00   | 5.00    |
| 73644-31**      | 144                       | SELECTIVE GOLD/SELECTIVE TIN-LEAD | 55.60   | 46.00   | 5.50    |
| 73644-32**      | 144                       | SELECTIVE GOLD/SELECTIVE TIN-LEAD | 55.60   | 46.00   | 6.00    |

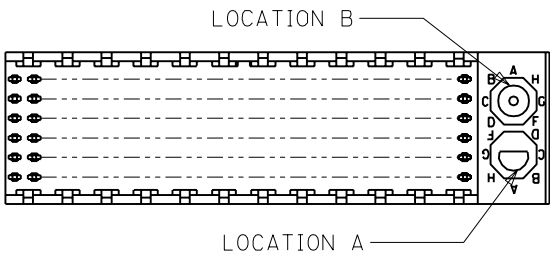
## MATERIAL NUMBER ASSIGNMENT

73644- \* \* \* \*

0 = 72-CIRCUIT, GOLD/GOLD FLASH  
 1 = 144-CIRCUIT, GOLD/GOLD FLASH  
 2 = 72-CIRCUIT, GOLD/TIN-LEAD  
 3 = 144-CIRCUIT, GOLD/TIN-LEAD

0 = 5.00 MATING LENGTH  
 1 = 5.50 MATING LENGTH  
 2 = 6.00 MATING LENGTH

| NUMBER | GUIDE POST LOCATION | POLAR KEY POSITION |
|--------|---------------------|--------------------|
| 00     | B                   |                    |
| 01     | A                   | A                  |
| 02     | B                   |                    |
| 03     | A                   | B                  |
| 04     | B                   | C                  |
| 05     | A                   |                    |
| 06     | B                   | D                  |
| 07     | A                   |                    |
| 08     | B                   | E                  |
| 09     | A                   |                    |
| 10     | B                   | F                  |
| 11     | A                   |                    |
| 12     | B                   | G                  |
| 13     | A                   |                    |
| 14     | B                   | H                  |
| 15     | A                   |                    |
| 16     | B                   |                    |
| 17     | A                   | N/A                |
| 18     | N/A                 |                    |



REF. MATERIAL NUMBER 73644-0009  
 GUIDE PIN IS IN LOCATION A  
 POLARIZING KEY IS IN LOCATION B, POSITION E

REF. MATERIAL NUMBER 73644-0008  
 GUIDE PIN IS IN LOCATION B  
 POLARIZING KEY IS IN LOCATION A, POSITION E

|                           | DIMENSIONS SHOWN (METRIC) INCH   | ▽ = 0   ▼ = 0  | REVISE ONLY ON CAD SYSTEM |        |         |       |     |         |       |       |         |     |       |  |  |                           |             |               |  |                          |  |  |  |
|---------------------------|--|--|---------------------------|--------|---------|-------|-----|---------|-------|-------|---------|-----|-------|--|--|---------------------------|-------------|---------------|--|--------------------------|--|--|--|
|                           | UNLESS OTHERWISE SPECIFIED TOLERANCES: ANGULAR = 1/2°  | TITLE<br>SALES ASSY, HDM BACKPLANE<br>MODULE, POLAR/GUIDE OPTION   |                           |        |         |       |     |         |       |       |         |     |       |  |  |                           |             |               |  |                          |  |  |  |
|                           | <table border="1" style="width: 100%; border-collapse: collapse;"> <thead> <tr> <th></th> <th style="text-align: center;">INCH</th> <th style="text-align: center;">METRIC</th> </tr> </thead> <tbody> <tr> <td>3 PLACE</td> <td style="text-align: center;">± N/A</td> <td style="text-align: center;">---</td> </tr> <tr> <td>2 PLACE</td> <td style="text-align: center;">± N/A</td> <td style="text-align: center;">± N/A</td> </tr> <tr> <td>1 PLACE</td> <td style="text-align: center;">---</td> <td style="text-align: center;">± N/A</td> </tr> </tbody> </table> |  | INCH                      | METRIC | 3 PLACE | ± N/A | --- | 2 PLACE | ± N/A | ± N/A | 1 PLACE | --- | ± N/A | <table border="1" style="width: 100%; border-collapse: collapse;"> <tr> <td style="width: 20%;"><b>MOLEX INCORPORATED</b></td> <td style="width: 20%;">SHEET NO. 2</td> <td style="width: 20%;">DATE 96/12/18</td> <td style="width: 40%;"></td> </tr> <tr> <td>LISLE, ILL. 60532 U.S.A.</td> <td colspan="3"></td> </tr> </table> |  | <b>MOLEX INCORPORATED</b> | SHEET NO. 2 | DATE 96/12/18 |  | LISLE, ILL. 60532 U.S.A. |  |  |  |
|                           | INCH   | METRIC   |                           |        |         |       |     |         |       |       |         |     |       |  |  |                           |             |               |  |                          |  |  |  |
| 3 PLACE                   | ± N/A  | ---  |                           |        |         |       |     |         |       |       |         |     |       |  |  |                           |             |               |  |                          |  |  |  |
| 2 PLACE                   | ± N/A  | ± N/A  |                           |        |         |       |     |         |       |       |         |     |       |  |  |                           |             |               |  |                          |  |  |  |
| 1 PLACE                   | ---  | ± N/A  |                           |        |         |       |     |         |       |       |         |     |       |  |  |                           |             |               |  |                          |  |  |  |
| <b>MOLEX INCORPORATED</b> | SHEET NO. 2  | DATE 96/12/18  |                           |        |         |       |     |         |       |       |         |     |       |  |  |                           |             |               |  |                          |  |  |  |
| LISLE, ILL. 60532 U.S.A.  |  |  |                           |        |         |       |     |         |       |       |         |     |       |  |  |                           |             |               |  |                          |  |  |  |
|                           | DRAFT WHERE APPLICABLE MUST REMAIN WITHIN DIMENSIONS   | PART NO. SDA-73644-****  |                           |        |         |       |     |         |       |       |         |     |       |  |  |                           |             |               |  |                          |  |  |  |
|                           | DRWG. BY: JRR    CLK'D. BY: SMR  | FILE NAME: S73644X2.DGN  |                           |        |         |       |     |         |       |       |         |     |       |  |  |                           |             |               |  |                          |  |  |  |
|                           | APP'D. BY: CAB    SCALE: ---:---   | THIS DRAWING CONTAINS INFORMATION THAT IS PROPRIETARY TO MOLEX INC. AND SHOULD NOT BE USED WITHOUT WRITTEN PERMISSION. |                           |        |         |       |     |         |       |       |         |     |       |  |  |                           |             |               |  |                          |  |  |  |
| LTR.    REVISIONS         | LTR.    REVISIONS  | DIV. DA  | SIZE B                    |        |         |       |     |         |       |       |         |     |       |  |  |                           |             |               |  |                          |  |  |  |



Компания «ЭлектроПласт» предлагает заключение долгосрочных отношений при поставках импортных электронных компонентов на взаимовыгодных условиях!

Наши преимущества:

- Оперативные поставки широкого спектра электронных компонентов отечественного и импортного производства напрямую от производителей и с крупнейших мировых складов;
- Поставка более 17-ти миллионов наименований электронных компонентов;
- Поставка сложных, дефицитных, либо снятых с производства позиций;
- Оперативные сроки поставки под заказ (от 5 рабочих дней);
- Экспресс доставка в любую точку России;
- Техническая поддержка проекта, помощь в подборе аналогов, поставка прототипов;
- Система менеджмента качества сертифицирована по Международному стандарту ISO 9001;
- Лицензия ФСБ на осуществление работ с использованием сведений, составляющих государственную тайну;
- Поставка специализированных компонентов (Xilinx, Altera, Analog Devices, Intersil, Interpoint, Microsemi, Aeroflex, Peregrine, Syfer, Eurofarad, Texas Instrument, Miteq, Cobham, E2V, MA-COM, Hittite, Mini-Circuits, General Dynamics и др.);

Помимо этого, одним из направлений компании «ЭлектроПласт» является направление «Источники питания». Мы предлагаем Вам помощь Конструкторского отдела:

- Подбор оптимального решения, техническое обоснование при выборе компонента;
- Подбор аналогов;
- Консультации по применению компонента;
- Поставка образцов и прототипов;
- Техническая поддержка проекта;
- Защита от снятия компонента с производства.



#### Как с нами связаться

**Телефон:** 8 (812) 309 58 32 (многоканальный)

**Факс:** 8 (812) 320-02-42

**Электронная почта:** [org@eplast1.ru](mailto:org@eplast1.ru)

**Адрес:** 198099, г. Санкт-Петербург, ул. Калинина, дом 2, корпус 4, литера А.