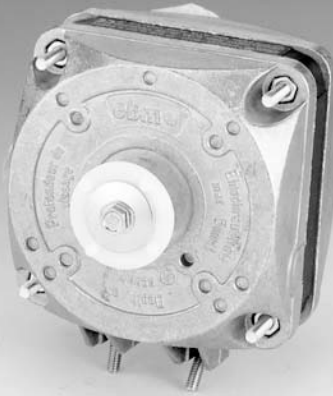


M4Q Series

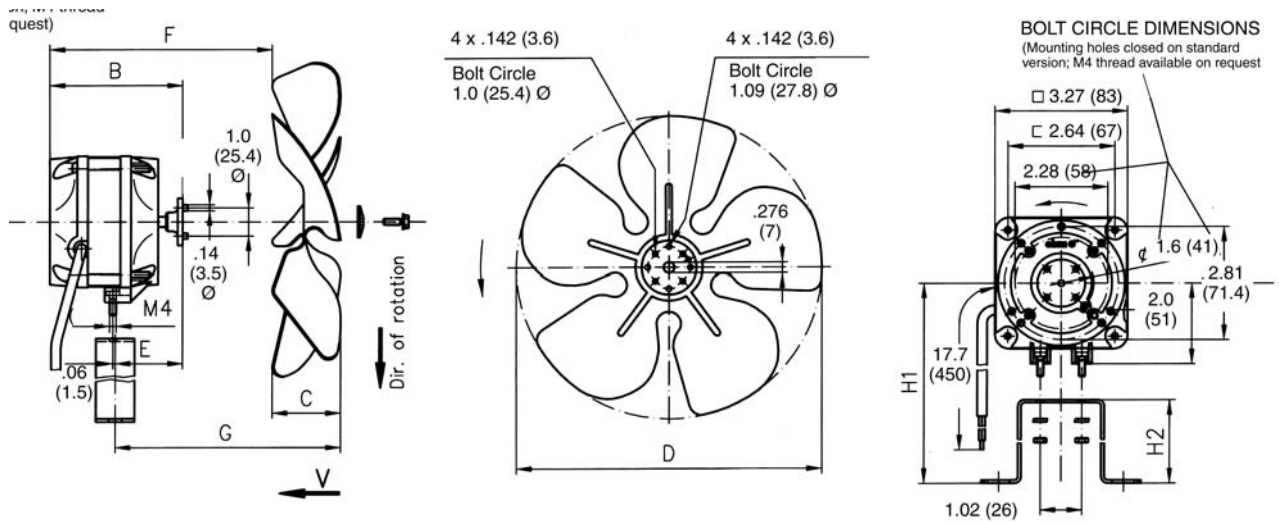
Q-Motors

Offer Efficiency and Performance



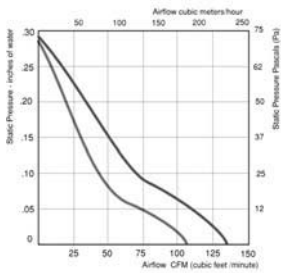
- 4-pole QUAD design, shaded-pole motor with self-aligning, permanently lubricated sintec bearings; thermally (IP 42 standard, IP 54 available) and impedance protected.
- Square outer dimensions, 83x83mm is considered to be general standard.
- Versatile air movers with choice of impeller sizes blade pitches and accessories.
- Choice of air flow and air direction. From 113 to 1082 CFM. Exhaust over motor or inlet over motor.
- CCW rotation when looking at shaft. This ensures that the screws remain tight and in place.
- UL, CSA, VDE approvals on some models, please contact application engineering.

| AC MOTOR | Input | | Input | Output | | | Type of | Bracket | Blade | Blade | Air Flow |
|------------------|-------|-------|-------|--------|------|------|---------|---------|--------|---------|----------|
| Part Number | Volts | Hertz | Watts | Watts | Amps | RPM | Bearing | Type | Series | Pitch ° | CFM |
| M4Q045 -BD03 -04 | 115 | 50/60 | 26 | 5 | 0.35 | 1550 | Sleeve | 1 | 154 | 22 | 113 |
| M4Q045 -BD01 -01 | 230 | 50/60 | 26 | 5 | 0.17 | 1550 | Sleeve | 1 | | 28 | 137 |
| | | | | | | | | | | 172 | 22 |
| | | | | | | | | | 200 | 28 | 189 |
| M4Q045 -CA17 -04 | 115 | 50/60 | 30 | 8 | 0.40 | 1550 | Sleeve | 1 | 200 | 22 | 248 |
| M4Q045 -CA01 -01 | 230 | 50/60 | 30 | 8 | 0.20 | 1550 | Sleeve | 1 | | 28 | 274 |
| | | | | | | | | | | 230 | 22 |
| M4Q045 -CA27 -04 | 115 | 50/60 | 34 | 9 | 0.45 | 1550 | Sleeve | 1 | 230 | 22 | 353 |
| M4Q045 -CA25 -04 | 230 | 50/60 | 34 | 9 | 0.22 | 1550 | Sleeve | 1 | | 28 | 440 |
| | | | | | | | | | | 254 | 22 |
| M4Q045 -CF07 -04 | 115 | 50/60 | 58 | 16 | 0.74 | 1550 | Sleeve | 1 | 254 | 22 | 488 |
| M4Q045 -CF01 -01 | 230 | 50/60 | 58 | 16 | 0.36 | 1550 | Sleeve | 1 | | | |
| M4Q045 -DA11 -04 | 115 | 50/60 | 62 | 18 | 0.87 | 1550 | Sleeve | 2 | 254 | 22 | 494 |
| M4Q045 -DA01 -01 | 230 | 50/60 | 62 | 18 | 0.42 | 1550 | Sleeve | 2 | | 28 | 641 |
| | | | | | | | | | | 300 | 22 |
| M4Q045 -DA13 -04 | 115 | 50/60 | 80 | 25 | 1.10 | 1550 | Sleeve | 2 | 300 | 22 | 876 |
| M4Q045 -DA05 -01 | 230 | 50/60 | 80 | 25 | 0.55 | 1550 | Sleeve | 2 | | | |
| M4Q045 -EA03 -04 | 115 | 50/60 | 80 | 26 | 1.10 | 1550 | Sleeve | 3 | 300 | 22 | 912 |
| M4Q045 -EA01 -01 | 230 | 50/60 | 80 | 26 | 0.55 | 1550 | Sleeve | 3 | | | |
| M4Q045 -EF03 -04 | 115 | 50/60 | 100 | 34 | 1.35 | 1550 | Sleeve | 3 | 300 | 22 | 1008 |
| M4Q045 -EF01 -01 | 230 | 50/60 | 100 | 34 | 0.65 | 1550 | Sleeve | 3 | | 28 | 1082 |



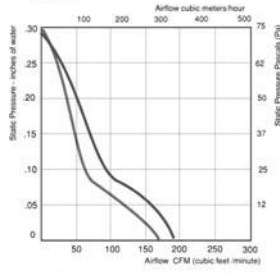
| Motor output | Blade dimensions | | | | | | | | | | Assembly dimensions | | | | |
|--------------|------------------|-----|------|------|------|------|------|------|------|------|---------------------|------|------|------|------|
| | | | 22° | | 28° | | 22° | | 28° | | H1 | H2 | B | E | K |
| Watt | in | mm | in | in | in | in | in | in | in | in | in | in | in | in | in |
| 5 | 6.06 | 154 | 1.08 | 0.55 | 1.38 | 0.65 | 2.40 | 2.20 | 2.20 | 2.32 | 3.54 | 1.54 | 2.99 | 1.65 | 0.59 |
| 5 | 6.77 | 172 | 1.22 | 0.57 | 1.42 | 0.67 | 2.28 | 2.24 | 2.17 | 2.32 | 4.06 | 2.05 | 2.99 | 1.65 | 0.59 |
| 5 | 7.87 | 200 | 1.26 | 0.61 | N/A | N/A | 2.28 | 2.28 | N/A | N/A | 4.84 | 2.83 | 2.99 | 1.65 | 0.59 |
| 8 | 7.87 | 200 | 1.26 | 0.61 | 1.48 | 0.71 | 2.56 | 2.28 | 2.44 | 2.36 | 4.84 | 2.83 | 3.23 | 1.65 | 0.59 |
| 8 | 9.06 | 230 | 1.44 | 0.77 | N/A | N/A | 2.52 | 2.44 | N/A | N/A | 4.84 | 2.83 | 3.23 | 1.65 | 0.59 |
| 9 | 9.06 | 230 | 1.44 | 0.77 | 1.77 | 0.91 | 2.52 | 2.44 | 2.36 | 2.56 | 4.84 | 2.83 | 3.23 | 1.65 | 0.59 |
| 9 | 10.00 | 254 | 1.46 | 0.79 | N/A | N/A | 2.52 | 2.44 | N/A | N/A | 5.31 | 3.31 | 3.23 | 1.65 | 0.59 |
| 16 | 10.00 | 254 | 1.46 | 0.79 | N/A | N/A | 2.76 | 2.44 | N/A | N/A | 5.31 | 3.31 | 3.43 | 1.65 | 0.59 |
| 18 | 10.00 | 254 | 1.46 | 0.79 | 1.77 | 0.93 | 2.99 | 2.91 | 2.83 | 3.07 | 5.31 | 3.31 | 3.66 | 2.13 | 0.59 |
| 18 | 11.81 | 300 | 1.67 | 0.98 | N/A | N/A | 2.95 | 3.11 | N/A | N/A | 6.30 | 4.29 | 3.66 | 2.13 | 0.59 |
| 25 | 11.81 | 300 | 1.67 | 0.98 | N/A | N/A | 2.95 | 3.11 | N/A | N/A | 6.30 | 4.29 | 3.66 | 2.13 | 0.59 |
| 26 | 11.81 | 300 | 1.67 | 0.98 | N/A | N/A | 3.39 | 3.31 | N/A | N/A | 6.30 | 4.29 | 4.06 | 2.32 | 0.63 |
| 34 | 11.81 | 300 | 1.67 | 0.98 | 1.91 | 1.10 | 4.25 | 4.09 | 4.09 | 4.17 | 6.30 | 4.29 | 4.92 | 3.11 | 1.30 |

A4Q154



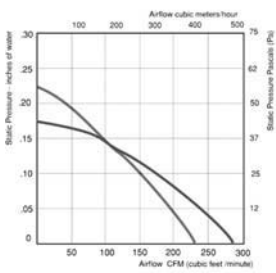
— A4Q154 230V 60Hz 22" pitch M4Q045BD01
 - - A4Q154 230V 60Hz 28" pitch M4Q045BD01

A4Q172



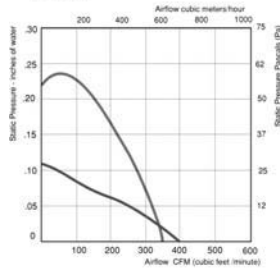
— A4Q172 230V 60Hz 22" pitch M4Q045BD01
 - - A4Q172 230V 60Hz 28" pitch M4Q045BD01

A4Q200



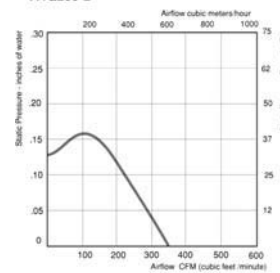
— A4Q200-04B 230V 60Hz 22" pitch M4Q045BD01
 - - A4Q200-05B 230V 60Hz 28" pitch M4Q045BD01

A4Q230-1



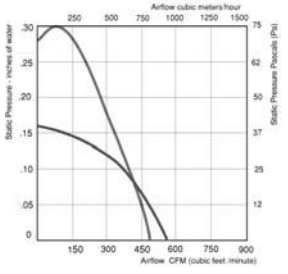
— A4Q230-01B 230V 60Hz 22" pitch M4Q045CA03
 - - A4Q230-02B 230V 60Hz 28" pitch M4Q045CA03

A4Q230-2



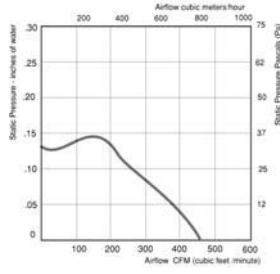
— A4Q230-04B 230V 60Hz 22" pitch M4Q045CA01

A4Q254



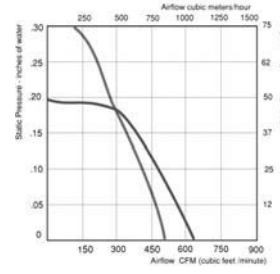
— A4Q254-01B 230V 60Hz 22" pitch M4Q045CF01
 - - A4Q254-02B 230V 60Hz 28" pitch M4Q045CF01

A4Q254-2



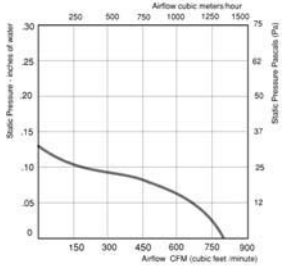
— A4Q254-03B 230V 60Hz 22" pitch M4Q045CA03

A4Q254-3



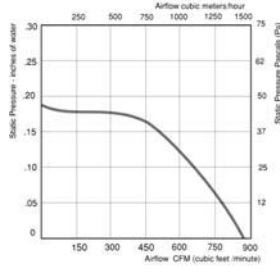
— A4Q254-04B 230V 60Hz 22" pitch M4Q045DA03
 - - A4Q254-05B 230V 60Hz 28" pitch M4Q045DA03

A4Q300-1



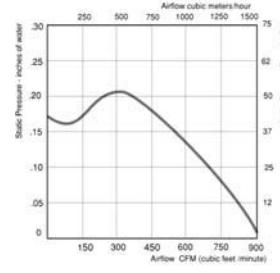
— A4Q300-01B 230V 60Hz 22" pitch M4Q045DA01

A4Q300-2



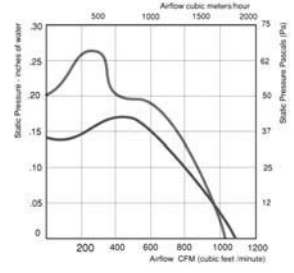
— A4Q300-02B 230V 60Hz 22" pitch M4Q045DA05

A4Q300-3



— A4Q300-03B 230V 60Hz 22" pitch M4Q045EA01

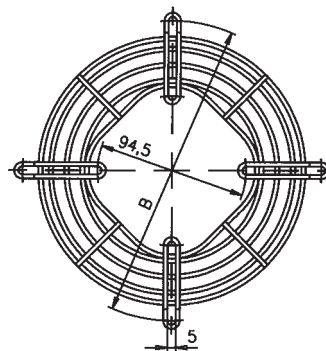
A4Q300-4



— A4Q300-04B 230V 60Hz 22" pitch M4Q045EF01
 - - A4Q300-05B 230V 60Hz 28" pitch M4Q045EF01

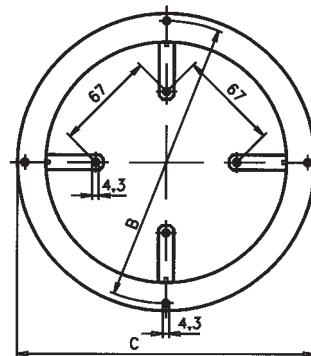
FLAT GRILL GUARD

| Impeller Diameter | Flat Guard Part Number | Depth of Guard | Mtg Hole Dia. (B) | Max. Pitch Air Delivery | |
|-------------------|------------------------|----------------|-------------------|-------------------------|-----|
| | | | | "V" | "A" |
| 154 | 50967-2-4039 | 11.5 | 190 | 34° | 34° |
| 172 | 50968-2-4039 | 11.5 | 208 | 34° | 34° |
| 200 | 50969-2-4039 | 11.5 | 236 | 34° | 28° |
| 230 | 50970-2-4039 | 17.5 | 266 | 28° | 28° |
| 254 | 50971-2-4039 | 17.5 | 290 | 28° | 28° |
| 300 | 50972-2-4039 | 17.5 | 344 | - | 22° |



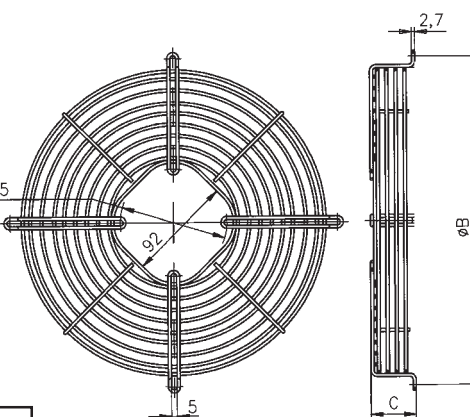
WALL RING for AIR DELIVERY - "A"

| Impeller Diameter | Wall Ring ("A") Part Number | Overall Dia. (C) | Mtg Hole Dia. (B) | Max. Pitch Air Delivery | |
|-------------------|-----------------------------|------------------|-------------------|-------------------------|-----|
| | | | | "A" | "A" |
| 154 | 52550-2-4037 | 200 | 190 | 34° | 34° |
| 172 | 52551-2-4037 | 223 | 208 | 34° | 34° |
| 200 | 52552-2-4037 | 246 | 236 | 28° | 28° |
| 230 | 52553-2-4037 | 276 | 266 | 28° | 28° |
| 254 | 52554-2-4037 | 300 | 290 | 28° | 28° |
| 300 | 52555-2-4037 | 356 | 344 | 22° | 22° |



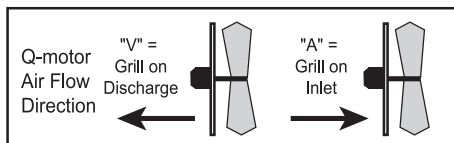
WALL RING for AIR DELIVERY - "V"

| Impeller Diameter | Wall Ring ("V") Part Number | Overall Dia. (C) | Mtg Hole Dia. (B) | Max. Pitch Air Delivery | |
|-------------------|-----------------------------|------------------|-------------------|-------------------------|-----|
| | | | | "V" | "V" |
| 154 | 52542-2-4037 | 200 | 190 | 34° | 34° |
| 172 | 52543-2-4037 | 223 | 208 | 34° | 34° |
| 200 | 52544-2-4037 | 246 | 236 | 34° | 34° |
| 230 | 52545-2-4037 | 276 | 266 | 28° | 28° |
| 254 | 52546-2-4037 | 300 | 290 | 28° | 28° |
| 300 | 52547-2-4037 | 356 | 344 | 22° | 22° |



BASKET GRILL GUARD

| Impeller Diameter | Basket Guard Part Number | Depth (C) | Hole Dia(B) | Max. Pitch Air Delivery | |
|-------------------|--------------------------|-----------|-------------|-------------------------|-----|
| | | | | "V" | "A" |
| 172 | 66309-2-4039 | 37.5 | 208 | 34° | 34° |
| 200 | 66310-2-4039 | 37.5 | 236 | 34° | 28° |
| 230 | 66311-2-4039 | 40 | 266 | 28° | 28° |
| 254 | 66312-2-4039 | 40 | 290 | 28° | 28° |
| 300 | 66313-2-4039* | 46.8 | 344 | - | 22° |



BRACKETS

| Motor Series | Bracket Part Number | Bracket Type | H2 (mm) |
|--------------|---------------------|--------------|---------|
| M4Q045-BD | 71881-2-4053 | 1 | 39 |
| | 71882-2-4053 | 1 | 52 |
| | 71883-2-4053 | 1 | 72 |
| M4Q045-CA | 71883-2-4053 | 1 | 72 |
| M4Q045-CA | 71883-2-4053 | 1 | 72 |
| M4Q045-CF | 71884-2-4053 | 1 | 84 |
| | 71884-2-4053 | 1 | 84 |
| M4Q045-DA | 71885-2-4053 | 2 | 84 |
| M4Q045-DA | 71886-2-4053 | 2 | 109 |
| | 71886-2-4053 | 2 | 109 |
| M4Q045-EA | 71887-2-4053 | 3 | 109 |
| M4Q045-EF | 71887-2-4053 | 3 | 109 |



Q-Motor Impeller Part Numbers

| Part Number (A) | Impeller Size (mm) | Impeller Pitch (°) | Impeller Part Number (V) | Exhaust over motor |
|-----------------|--------------------|--------------------|--------------------------|--------------------|
| 73761-2-3634 | 154 | 22 | 73801-2-3634 | |
| 73762-2-3634 | 154 | 28 | 73802-2-3634 | |
| 73763-2-3634 | 154 | 34 | 73803-2-3634 | |
| 73764-2-3634 | 172 | 22 | 73804-2-3634 | |
| 73765-2-3634 | 172 | 28 | 73805-2-3634 | |
| 73766-2-3634 | 172 | 34 | 73806-2-3634 | |
| 73767-2-3634 | 200 | 22 | 73807-2-3634 | |
| 73768-2-3634 | 200 | 28 | 73808-2-3634 | |
| 73769-2-3634 | 200 | 34 | 73809-2-3634 | |
| 73770-2-3634 | 230 | 22 | 73810-2-3634 | |
| 73771-2-3634 | 230 | 28 | 73811-2-3634 | |
| 73772-2-3634 | 230 | 34 | 73812-2-3634 | |
| 73773-2-3634 | 254 | 22 | 73813-2-3634 | |
| 73774-2-3634 | 254 | 28 | 73814-2-3634 | |
| 73775-2-3634 | 254 | 34 | 73815-2-3634 | |
| 73776-2-3634 | 300 | 22 | 73816-2-3634 | |
| 73777-2-3634 | 300 | 28 | 73817-2-3634 | |
| 73778-2-3634 | 300 | 34 | 73818-2-3634 | |



Компания «ЭлектроПласт» предлагает заключение долгосрочных отношений при поставках импортных электронных компонентов на взаимовыгодных условиях!

Наши преимущества:

- Оперативные поставки широкого спектра электронных компонентов отечественного и импортного производства напрямую от производителей и с крупнейших мировых складов;
- Поставка более 17-ти миллионов наименований электронных компонентов;
- Поставка сложных, дефицитных, либо снятых с производства позиций;
- Оперативные сроки поставки под заказ (от 5 рабочих дней);
- Экспресс доставка в любую точку России;
- Техническая поддержка проекта, помощь в подборе аналогов, поставка прототипов;
- Система менеджмента качества сертифицирована по Международному стандарту ISO 9001;
- Лицензия ФСБ на осуществление работ с использованием сведений, составляющих государственную тайну;
- Поставка специализированных компонентов (Xilinx, Altera, Analog Devices, Intersil, Interpoint, Microsemi, Aeroflex, Peregrine, Syfer, Eurofarad, Texas Instrument, Miteq, Cobham, E2V, MA-COM, Hittite, Mini-Circuits, General Dynamics и др.);

Помимо этого, одним из направлений компании «ЭлектроПласт» является направление «Источники питания». Мы предлагаем Вам помощь Конструкторского отдела:

- Подбор оптимального решения, техническое обоснование при выборе компонента;
- Подбор аналогов;
- Консультации по применению компонента;
- Поставка образцов и прототипов;
- Техническая поддержка проекта;
- Защита от снятия компонента с производства.



Как с нами связаться

Телефон: 8 (812) 309 58 32 (многоканальный)

Факс: 8 (812) 320-02-42

Электронная почта: org@eplast1.ru

Адрес: 198099, г. Санкт-Петербург, ул. Калинина, дом 2, корпус 4, литера А.