



## Main

|                                    |   |
|------------------------------------|---|
| Range of product                   | Altivar Machine ATV320  |
| Product or component type          | Variable speed drive  |
| Product specific application       | Complex machines  |
| Device short name                  | ATV320  |
| Format of the drive                | Book  |
| Product destination                | Asynchronous motors<br>Synchronous motors   |
| EMC filter                         | Class C2 EMC filter integrated  |
| IP degree of protection            | IP20 conforming to EN/IEC 61800-5-1   |
| Type of cooling                    | Fan   |
| Phase                              | 3 phases  |
| [Us] rated supply voltage          | 380...500 V (- 15...10 %)   |
| Supply frequency                   | 50...60 Hz (- 5...5 %)  |
| Motor power kW                     | 1.5 kW heavy duty   |
| Motor power hp                     | 2 hp heavy duty   |
| Line current                       | 4.4 A at 500 V heavy duty<br>5.8 A at 380 V heavy duty  |
| Prospective line Isc               | 5 kA  |
| Apparent power                     | 3.8 kVA at 500 V heavy duty   |
| Continuous output current          | 4.1 A at 4 kHz heavy duty   |
| Maximum transient current          | 6.2 A during 60 s heavy duty  |
| Asynchronous motor control profile | Voltage/frequency ratio, 2 points<br>Voltage/frequency ratio, 5 points<br>Flux vector control without sensor, standard<br>Voltage/frequency ratio - Energy Saving, quadratic U/f<br>Flux vector control without sensor - Energy Saving  |
| Synchronous motor control profile  | Vector control without sensor   |
| Speed drive output frequency       | 0.1...599 Hz  |
| Nominal switching frequency        | 4 kHz   |
| Switching frequency                | 2...16 kHz adjustable<br>4...16 kHz with current derating   |
| Safety function                    | STO (safe torque off) SIL 3<br>SS1 (safe stop 1)<br>SMS (safe maximum speed)<br>SLS (safe limited speed)<br>GDL (guard door locking)  |
| Communication port protocol        | CANopen<br>Modbus   |
| Option card                        | Communication module: CANopen daisy chain RJ45<br>Communication module: CANopen SUB-D 9<br>Communication module: CANopen open style terminal block<br>Communication module: EtherCAT RJ45<br>Communication module: DeviceNet<br>Communication module: Ethernet/IP<br>Communication module: Profibus DP V1<br>Communication module: Profinet<br>Communication module: Ethernet Powerlink |

## Complementary

|         |                  |
|---------|------------------|
| Variant | Standard version |
|---------|------------------|

The information provided in this documentation contains general descriptions and/or technical characteristics of the performance of the products contained herein. This documentation is not intended as a substitute for and is not to be used for determining suitability or reliability of these products for specific user applications. It is the duty of any such user or integrator to perform the appropriate and complete risk analysis, evaluation and testing of the products with respect to the relevant specific application or use thereof. Neither Schneider Electric Industries SAS nor any of its affiliates or subsidiaries shall be responsible or liable for misuse of the information contained herein.

|                                     |  |
|-------------------------------------|--|
| Output voltage                      | <= power supply voltage  |
| Permissible temporary current boost | 1.5 x I <sub>n</sub> during 60 s heavy duty  |
| Speed range                         | With asynchronous motor in open-loop mode  |
| Speed accuracy                      | +/- 10 % of nominal slip 0.2 T <sub>n</sub> to T <sub>n</sub>  |
| Torque accuracy                     | +/- 15 %   |
| Transient overtorque                | 170...200 % of nominal motor torque  |
| Braking torque                      | <= 170 % with braking resistor during 60 s   |
| Regulation loop                     | Adjustable PID regulator   |
| Motor slip compensation             | Automatic whatever the load<br>Not available in voltage/frequency ratio (2 or 5 points)<br>Adjustable 0...300 %  |
| Acceleration and deceleration ramps | S<br>U<br>CUS<br>Deceleration ramp automatic stop DC injection<br>Deceleration ramp adaptation<br>Linear<br>Ramp switching   |
| Braking to standstill               | By DC injection  |
| Protection type                     | Drive: thermal protection<br>Drive: overcurrent between output phases and earth<br>Drive: input phase breaks<br>Drive: overheating protection<br>Drive: short-circuit between motor phases   |
| Frequency resolution                | Display unit: 0.1 Hz<br>Analog input: 0.012/50 Hz  |
| Electrical connection               | Control, screw terminal: 0.5...1.5 mm <sup>2</sup> AWG 20...AWG 16<br>Motor/braking resistor, screw terminal: 1.5...2.5 mm <sup>2</sup> AWG 14...AWG 12<br>Power supply, screw terminal: 1.5...4 mm <sup>2</sup> AWG 14...AWG 10   |
| Connector type                      | 1 RJ45 Modbus/CANopen on front face  |
| Physical interface                  | 2-wire RS 485 Modbus   |
| Transmission frame                  | RTU Modbus   |
| Transmission rate                   | 4.8, 9.6, 19.2, 38.4 kbit/s Modbus<br>50 kbps, 125 kbps, 250 kbps, 500 kbps, 1 Mbps CANopen  |
| Data format                         | 8 bits, configurable odd, even or no parity Modbus   |
| Type of polarization                | No impedance Modbus  |
| Number of addresses                 | CANopen<br>Modbus  |
| Method of access                    | Slave CANopen  |
| Supply                              | Internal supply for reference potentiometer (1 to 10 kOhm): 10.5 V DC (+/- 5 %) current <= 10 mA (overload and short-circuit protection)   |
| Local signalling                    | 1 LED red drive voltage<br>1 LED green CANopen run<br>1 LED red CANopen error<br>1 LED red drive fault   |
| Width                               | 1.77 in (45 mm)  |
| Height                              | 12.8 in (325 mm)   |
| Depth                               | 9.65 in (245 mm)   |
| Product weight                      | 5.51 lb(US) (2.5 kg)   |
| Analogue input number               | 3  |
| Analogue input type                 | Voltage (AI1): 0...10 V DC, impedance 30000 Ohm, resolution 10 bits<br>Bipolar differential voltage (AI2): +/- 10 V DC, impedance 30000 Ohm, resolution 10 bits<br>Current (AI3): 0...20 mA (or 4-20 mA, x-20 mA, 20-x mA or other patterns by configuration), impedance 250 Ohm, resolution 10 bits |
| Discrete input number               | 7  |
| Discrete input type                 | Programmable (sink/source) (DI1...DI4): 24...30 V DC: level 1 PLC<br>Programmable as pulse input 20 kpps (DI5): 24...30 V DC: level 1 PLC<br>Switch-configurable PTC probe (DI6): 24...30 V DC<br>Safe torque off (STO): 24...30 V DC, impedance 1500 Ohm  |
| Discrete input logic                | Negative logic (sink): : DI1...DI6, > 19 V (state 0) < 13 V (state 1)<br>Positive logic (source): : DI1...DI6, < 5 V (state 0) > 11 V (state 1)  |
| Analogue output number              | 1  |
| Analogue output type                | Software-configurable current (AQ1): 0...20 mA, impedance 800 Ohm, resolution 10   |

|                                    |  |
|------------------------------------|--|
|                                    | bits<br>Software-configurable voltage (AQ1): 0...10 V, impedance 470 Ohm, resolution 10 bits   |
| Sampling duration                  | Analog input (AI1, AI2, AI3): 2 ms<br>Analog output (AQ1): 2 ms  |
| Accuracy                           | Analog input AI1, AI2, AI3: +/- 0.2 % for a temperature of -10...60 °C<br>Analog input AI1, AI2, AI3: +/- 0.5 % for a temperature of 25 °C<br>Analog output AQ1: +/- 1 % for a temperature of 25 °C<br>Analog output AQ1: +/- 2 % for a temperature of -10...60 °C   |
| Linearity error                    | Analog input (AI1, AI2, AI3): +/- 0.2...0.5 % of maximum value<br>Analog output (AQ1): +/- 0.3 %   |
| Discrete output number             | 3  |
| Discrete output type               | Configurable relay logic NO/NC (R1A, R1B, R1C): electrical durability 100000 cycles<br>Configurable relay logic NO (R2A, R2B): electrical durability 100000 cycles<br>Logic (LO)   |
| Refresh time                       | Logic input (DI1...DI6): 8 ms (+/- 0.7 ms)<br>Relay output (R1A, R1B, R1C): 2 ms<br>Relay output (R2A, R2C): 2 ms  |
| Minimum switching current          | Relay output (R1, R2): 5 mA at 24 V DC   |
| Maximum switching current          | Relay output (R1) on resistive load (cos phi = 1: 3 A at 250 V AC<br>Relay output (R1) on resistive load (cos phi = 1: 4 A at 30 V DC<br>Relay output (R1, R2) on inductive load (cos phi = 0.4: 2 A at 250 V AC<br>Relay output (R1, R2) on inductive load (cos phi = 0.4: 2 A at 30 V DC<br>Relay output (R2) on resistive load (cos phi = 1: 5 A at 250 V AC<br>Relay output (R2) on resistive load (cos phi = 1: 5 A at 30 V DC  |
| Specific application               | Machinery  |
| Discrete and process manufacturing | Hoisting self erecting<br>Material handling carousel<br>Material handling conveyor<br>Material handling lifting platform<br>Material handling palletizers - medium performance<br>Material handling transfer table<br>Material handling turn table<br>Material working (wood, ceramic, stone, pvc, metal) cutting - medium accuracy<br>Material working (wood, ceramic, stone, pvc, metal) drilling<br>Material working (wood, ceramic, stone, pvc, metal) saw<br>Packaging bagging<br>Packaging feed conveyor low performance<br>Packaging filling bottles - intermittent operation<br>Packaging linear labeling<br>Packaging other application<br>Packaging stretching wrapping<br>Packaging tray take<br>Textile knitting<br>Textile printing machines<br>Textile spinning<br>Washing machines car<br>Washing machines other application<br>Hoisting standard crane - travelling or trolley |
| Power range                        | 1.1...2 kW 380...440 V 3 phases<br>1.1...2 kW 480...500 V 3 phases   |
| Motor starter type                 | Variable speed drive   |

## Environment

|                               |   |
|-------------------------------|---|
| isolation                     | Between power and control terminals   |
| insulation resistance         | > 1 mOhm at 500 V DC for 1 minute to earth  |
| noise level                   | 43 dB conforming to 86/188/EEC  |
| power dissipation in W        | 63 W (fan) at 380 V, 4 kHz  |
| operating position            | Vertical +/- 10 degree  |
| electromagnetic compatibility | Conducted radio-frequency immunity test conforming to IEC 61000-4-6 level 3<br>Electrical fast transient/burst immunity test conforming to IEC 61000-4-4 level 4<br>Electrostatic discharge immunity test conforming to IEC 61000-4-2 level 3<br>Radiated radio-frequency electromagnetic field immunity test conforming to IEC 61000-4-3 level 3<br>Voltage dips and interruptions immunity test conforming to IEC 61000-4-11<br>1.2/50 µs - 8/20 µs surge immunity test conforming to IEC 61000-4-5 level 3 |
| pollution degree              | 2 conforming to EN/IEC 61800-5-1  |
| vibration resistance          | 1.5 mm peak to peak (f = 3...13 Hz) conforming to EN/IEC 60068-2-6<br>1 gn (f = 13...200 Hz) conforming to EN/IEC 60068-2-6   |

|                                       |  |
|---------------------------------------|--|
| shock resistance                      | 15 gn during 11 ms conforming to EN/IEC 60068-2-27   |
| relative humidity                     | 5...95 % without condensation conforming to IEC 60068-2-3<br>5...95 % without dripping water conforming to IEC 60068-2-3                       |
| ambient air temperature for operation | 14...122 °F (-10...50 °C) without derating<br>122...140 °F (50...60 °C) with derating factor   |
| ambient air temperature for storage   | -13...158 °F (-25...70 °C)   |
| operating altitude                    | <= 3280.84 ft (1000 m) without derating<br>3280.84...6561.68 ft (1000...2000 m) with current derating 1 % per 100 m                            |
| environmental characteristic          | Chemical pollution resistance class 3C3 EN/IEC 60721-3-3<br>Dust pollution resistance class 3S2 EN/IEC 60721-3-3                               |
| standards                             | EN/IEC 61800-3<br>EN/IEC 61800-5-1<br>EN 55011 class A group 1<br>EN 61800-3 environment 1 category C2<br>EN 61800-3 environment 2 category C2 |
| product certifications                | CSA<br>NOM 117<br>UL<br>RCM<br>EAC   |
| marking                               | CE   |

## Offer Sustainability

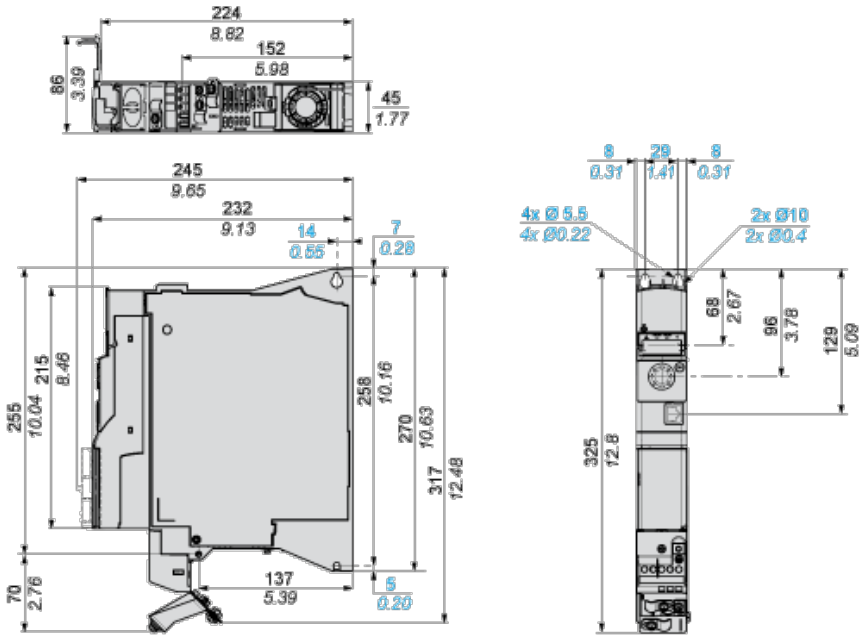
|  |  |
|--|--|
| Green Premium product  | Green Premium product  |
| Compliant - since 1614 - Schneider Electric declaration of conformity  | Compliant - since 1614 - Schneider Electric declaration of conformity  |
| Reference not containing SVHC above the threshold  | Reference not containing SVHC above the threshold  |
| Available  | Available  |
| Available  | Available  |
| WARNING: This product can expose you to chemicals including:   | WARNING: This product can expose you to chemicals including:   |
| Lead and lead compounds, which is known to the State of California to cause cancer and birth defects or other reproductive harm. | Lead and lead compounds, which is known to the State of California to cause cancer and birth defects or other reproductive harm. |
| Bisphenol A (BPA), which is known to the State of California to cause birth defects or other reproductive harm.                  | Bisphenol A (BPA), which is known to the State of California to cause birth defects or other reproductive harm.                  |
| For more information go to <a href="http://www.p65warnings.ca.gov">www.p65warnings.ca.gov</a>                                    | For more information go to <a href="http://www.p65warnings.ca.gov">www.p65warnings.ca.gov</a>                                    |

## Dimensions

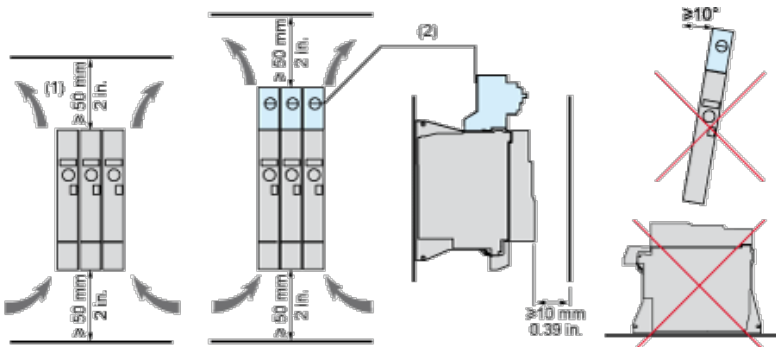
### Bottom, Right and Front View

mm  
in.

mm  
in.



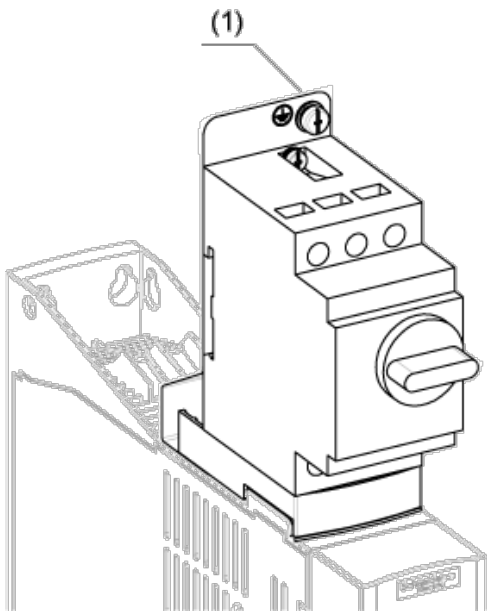
### Mounting and Clearance



- (1) Minimum value corresponding to thermal constraints.
- (2) Optional GV2 circuit-breaker

### Option: Protection Device, GV2 circuit-breaker

**NOTE:** The product overall height dimension, including GV2 adapter and EMC plate mounted, becomes 424 mm (16.7 in.) instead of 325 mm (12.80 in.)

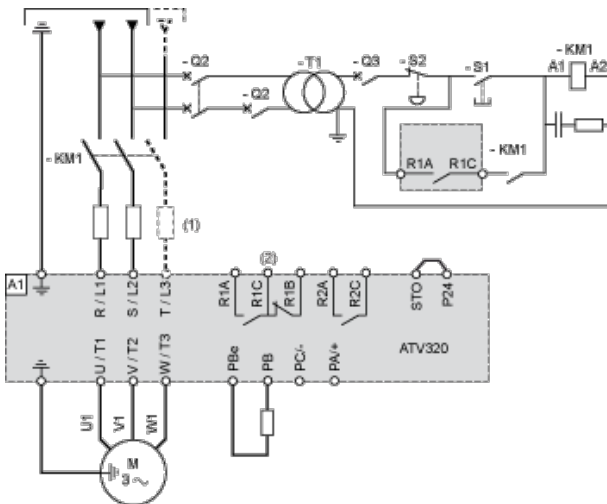


(1) Ground screw (HS type 2 - 5x12)

## Connection Diagrams

### Diagram with Line Contactor

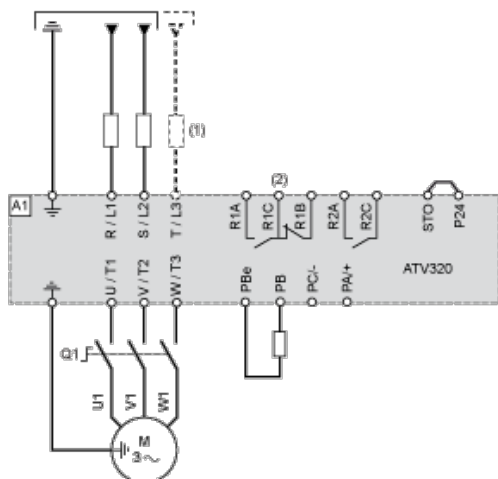
Connection diagrams conforming to standards ISO13849 category 1 and IEC/EN 61508 capacity SIL1, stopping category 0 in accordance with standard IEC/EN 60204-1.



- (1) Line choke (if used)
- (2) Fault relay contacts, for remote signaling of drive status

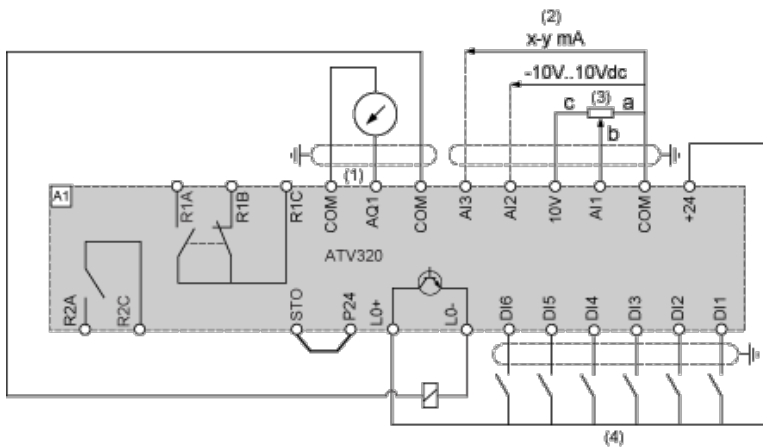
### Diagram with Switch Disconnect

Connection diagrams conforming to standards EN 954-1 category 1 and IEC/EN 61508 capacity SIL1, stopping category 0 in accordance with standard IEC/EN 60204-1.



- (1) Line choke (if used)
- (2) Fault relay contacts, for remote signaling of drive status

## Control Connection Diagram in Source Mode

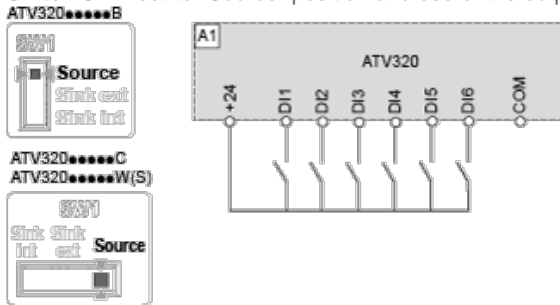


- (1) Analog output
- (2) Analog inputs
- (3) Reference potentiometer (10 kOhm maxi)
- (4) Digital inputs

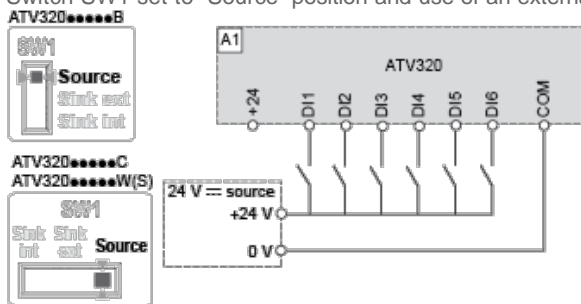
## Digital Inputs Wiring

The logic input switch (SW1) is used to adapt the operation of the logic inputs to the technology of the programmable controller outputs.

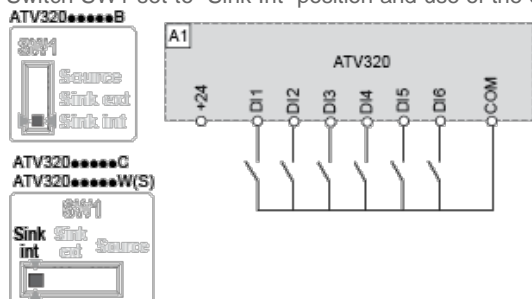
Switch SW1 set to "Source" position and use of the output power supply for the DIs.



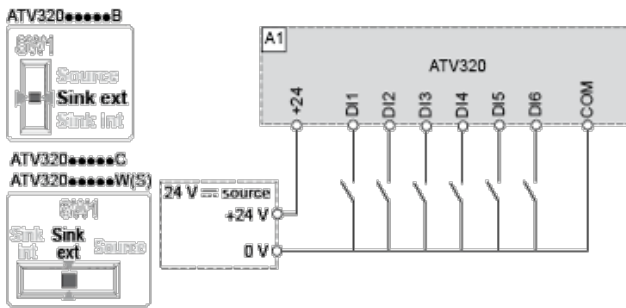
Switch SW1 set to "Source" position and use of an external power supply for the DIs.



Switch SW1 set to "Sink Int" position and use of the output power supply for the DIs.

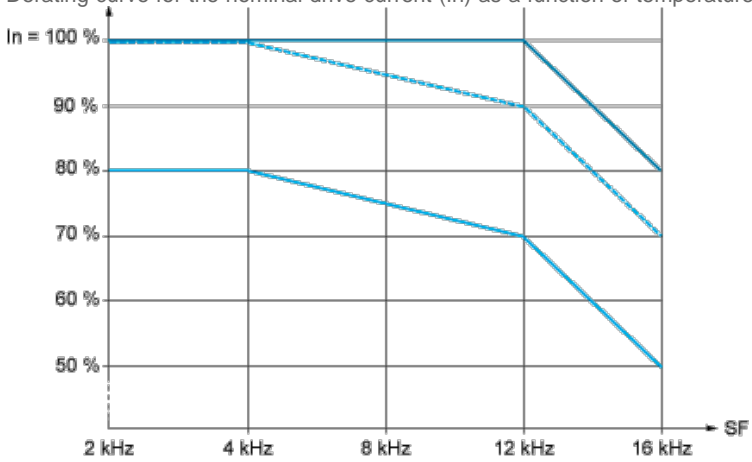


Switch SW1 set to "Sink Ext" position and use of an external power supply for the DIs.



## Derating Curves

Derating curve for the nominal drive current ( $I_n$ ) as a function of temperature and switching frequency (SF).



- 40 °C (104 °F) - Mounting type A, B and C
- ⋯ 50 °C (122 °F) - Mounting type A, B and C
- 60 °C (140 °F) - Mounting type B and C

$I_n$  : Nominal Drive Current

SF : Switching Frequency





Компания «ЭлектроПласт» предлагает заключение долгосрочных отношений при поставках импортных электронных компонентов на взаимовыгодных условиях!

Наши преимущества:

- Оперативные поставки широкого спектра электронных компонентов отечественного и импортного производства напрямую от производителей и с крупнейших мировых складов;
- Поставка более 17-ти миллионов наименований электронных компонентов;
- Поставка сложных, дефицитных, либо снятых с производства позиций;
- Оперативные сроки поставки под заказ (от 5 рабочих дней);
- Экспресс доставка в любую точку России;
- Техническая поддержка проекта, помощь в подборе аналогов, поставка прототипов;
- Система менеджмента качества сертифицирована по Международному стандарту ISO 9001;
- Лицензия ФСБ на осуществление работ с использованием сведений, составляющих государственную тайну;
- Поставка специализированных компонентов (Xilinx, Altera, Analog Devices, Intersil, Interpoint, Microsemi, Aeroflex, Peregrine, Syfer, Eurofarad, Texas Instrument, Miteq, Cobham, E2V, MA-COM, Hittite, Mini-Circuits, General Dynamics и др.);

Помимо этого, одним из направлений компании «ЭлектроПласт» является направление «Источники питания». Мы предлагаем Вам помощь Конструкторского отдела:

- Подбор оптимального решения, техническое обоснование при выборе компонента;
- Подбор аналогов;
- Консультации по применению компонента;
- Поставка образцов и прототипов;
- Техническая поддержка проекта;
- Защита от снятия компонента с производства.



#### Как с нами связаться

**Телефон:** 8 (812) 309 58 32 (многоканальный)

**Факс:** 8 (812) 320-02-42

**Электронная почта:** [org@eplast1.ru](mailto:org@eplast1.ru)

**Адрес:** 198099, г. Санкт-Петербург, ул. Калинина, дом 2, корпус 4, литера А.