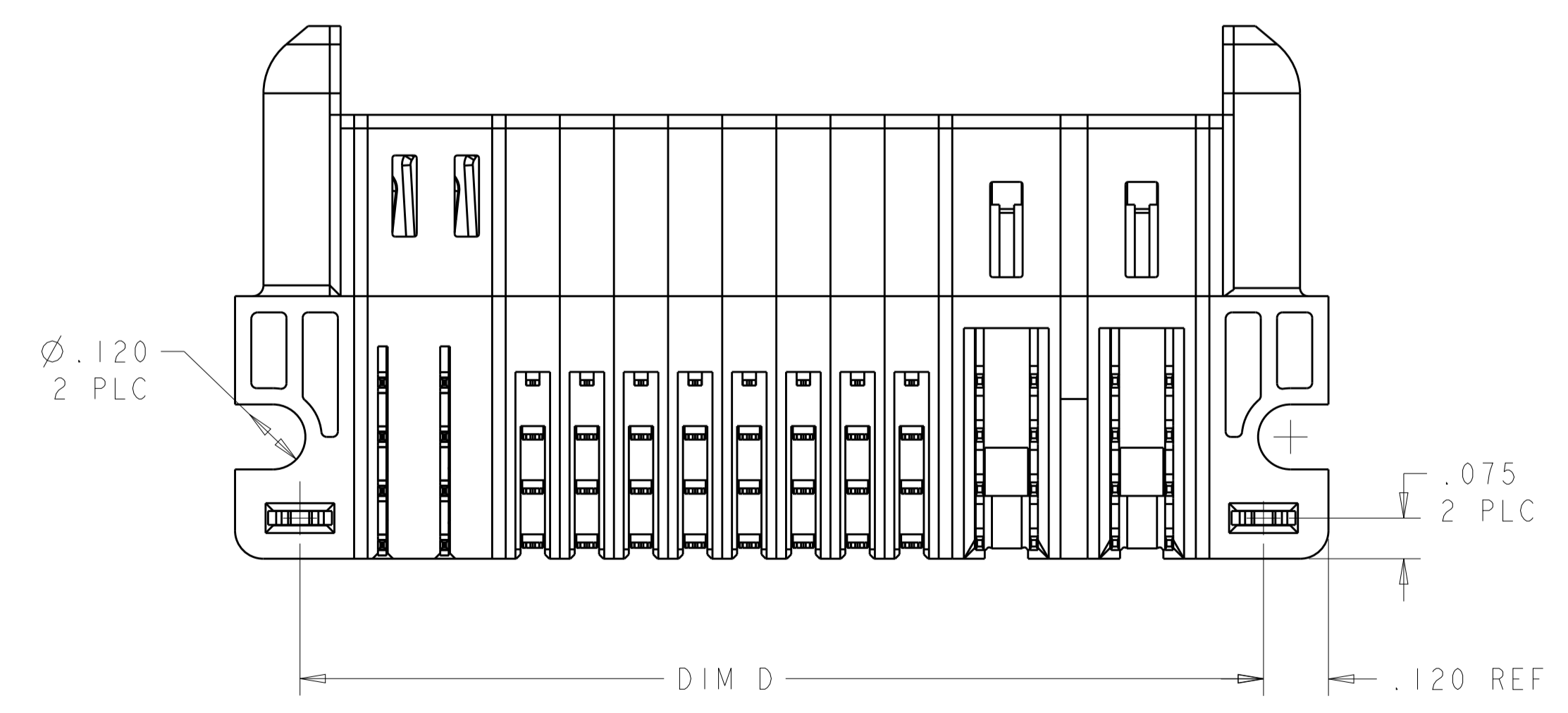
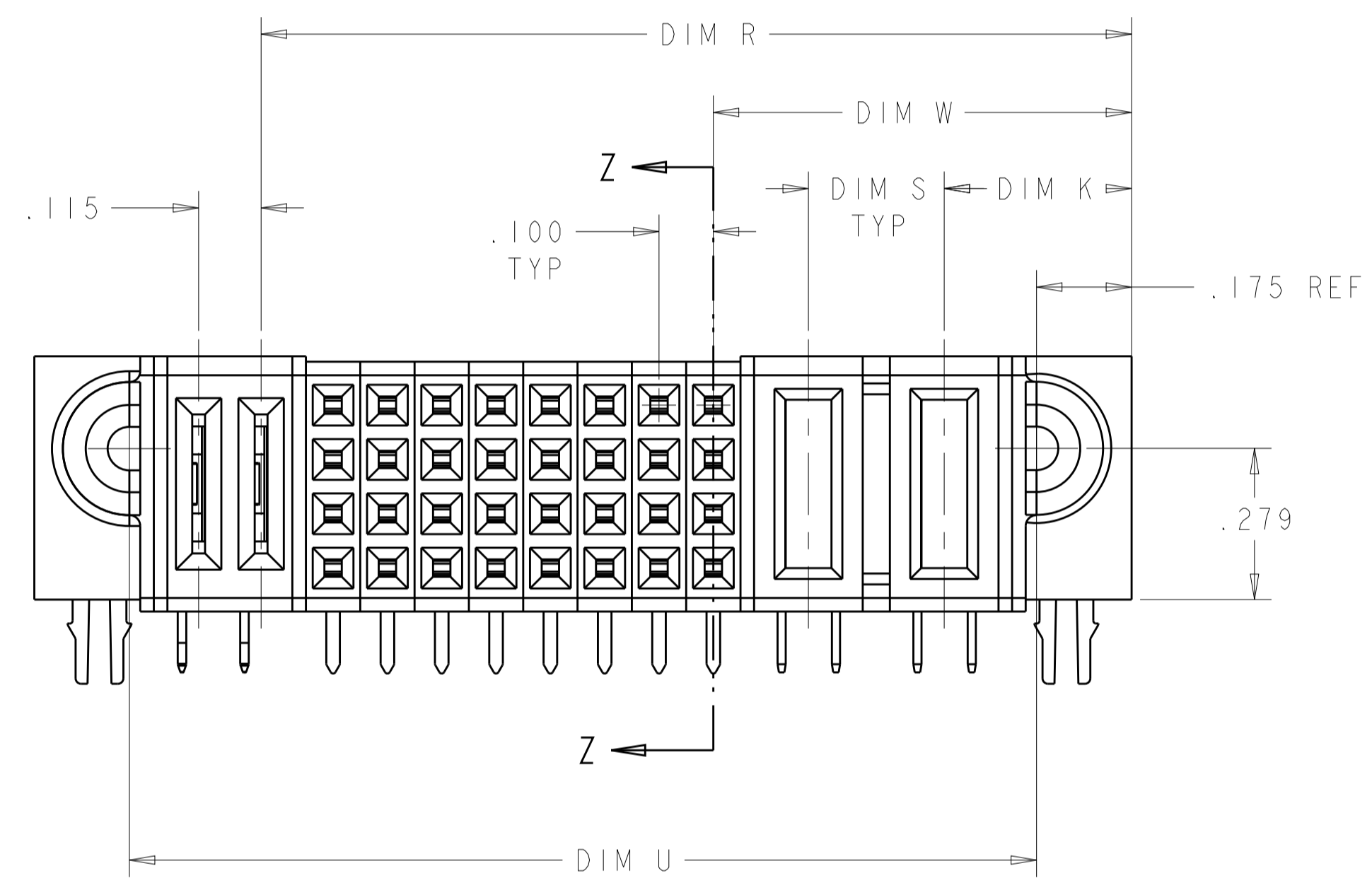
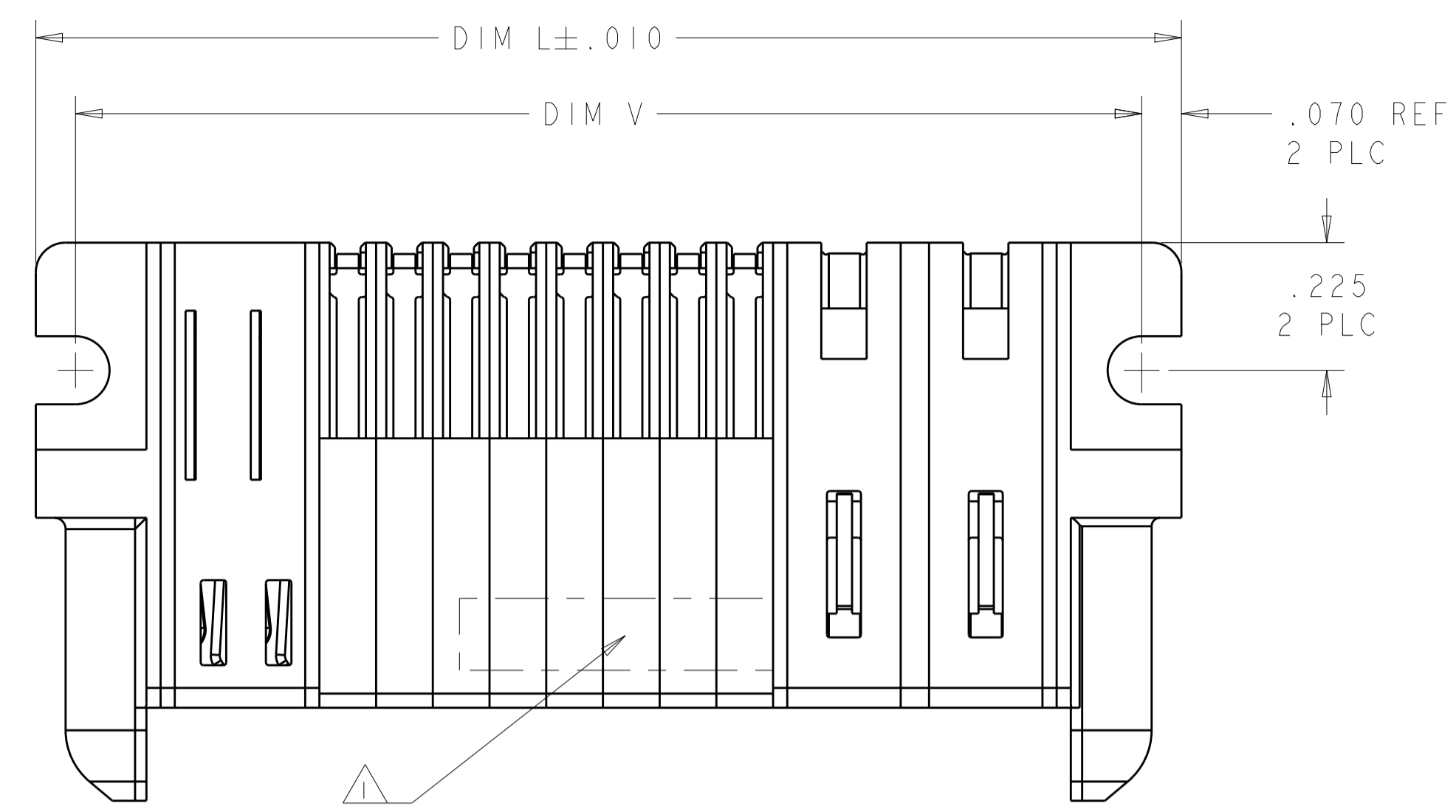
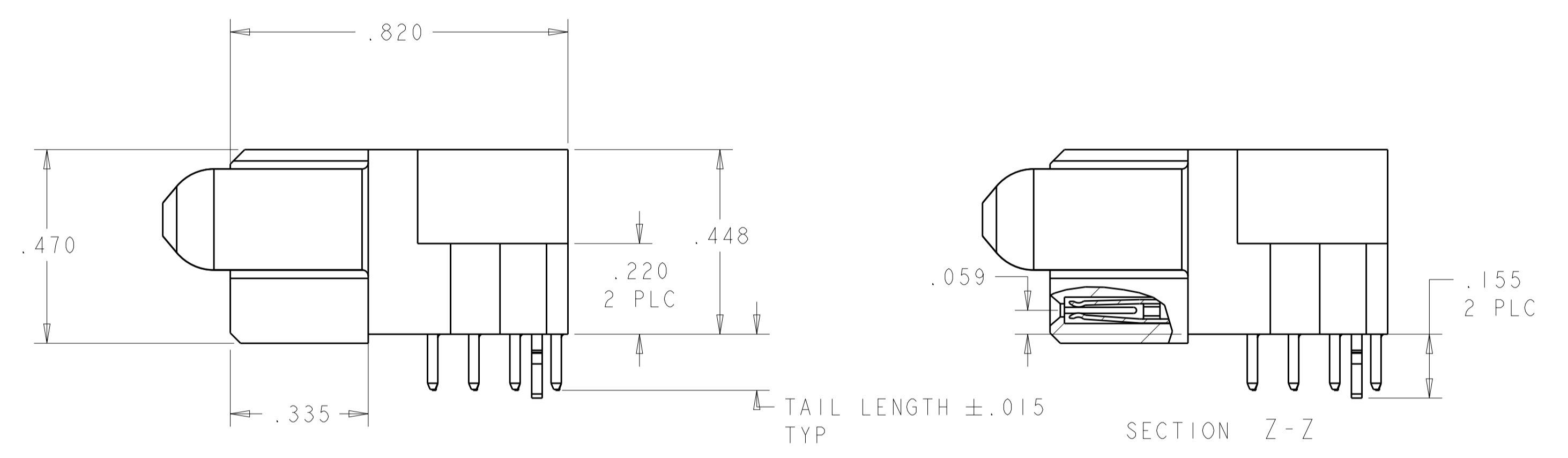


LOC		DIST		REVISIONS			
ES	00	P	LTN	DESCRIPTION	DATE	DMN	APVD
		K2		ADD NEW DASH NUMBER 3-4	12JAN2014	CZ	SZ

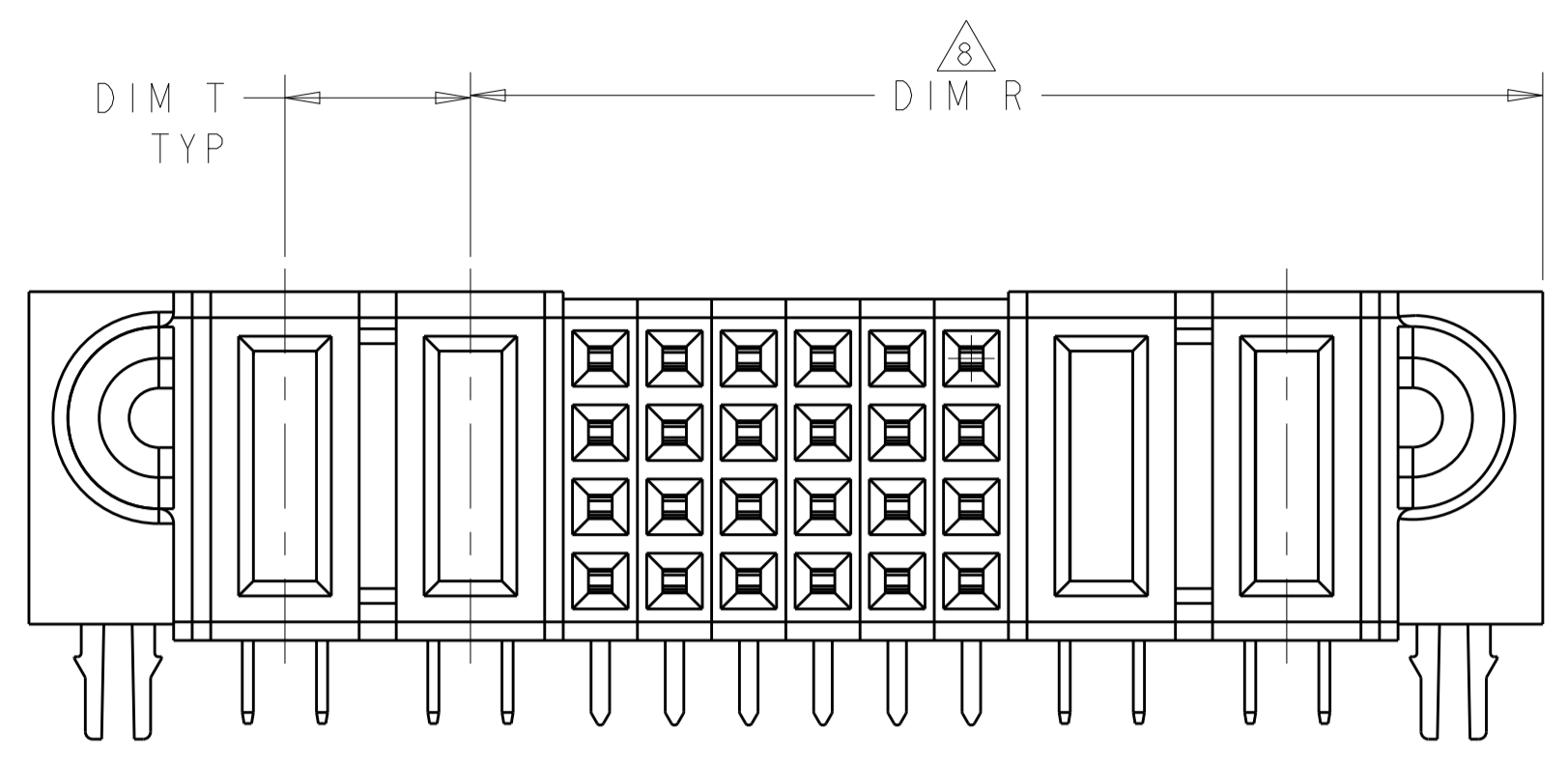


- 1 "AMP", PART NUMBER, AND DATECODE TO BE MARKED IN AREA SHOWN. PARTS UNDER 2.00 LONG MAY BE MARKED ON BOTH SIDES.
- 2 MATERIAL: HOUSING - GLASS FILLED HIGH TEMP THERMO PLASTIC, BLACK, UL94 V-0
 SIGNAL CONTACT - COPPER ALLOY
 POWER CONTACT - HIGH CONDUCTIVITY COPPER ALLOY
- 3 PLATING : NOBLE METAL PLATING AT CONTACT FUNCTIONAL AREA OF POWER CONTACT AND SIGNAL CONTACT
- 4 MECHANICAL CONNECTOR KEEP OUT ZONE.
- 5 DATUM AND BASIC DIMENSIONS ESTABLISHED BY CUSTOMER.
- 6 PCB - HOLE DIAMETERS ARE FINISHED HOLE SIZE.
- 7 PCB - .0453±.0010 DRILLED HOLES PLATED WITH .0003 MIN Sn OVER .001 TO .003 Cu PLATING TO ACHIEVE A .040 DIA HOLE.
- 8 FOR P/S/P CONFIGURATION, THE DIMENSION PLEASE SEE SHEET 2
- 9 VARIABLE DIMENSION PLEASE SEE TABLE OR PART VIEW
- 10 FOR LP/S/P CONFIGURATION, THE DIMENSION PLEASE SEE SHEET 2

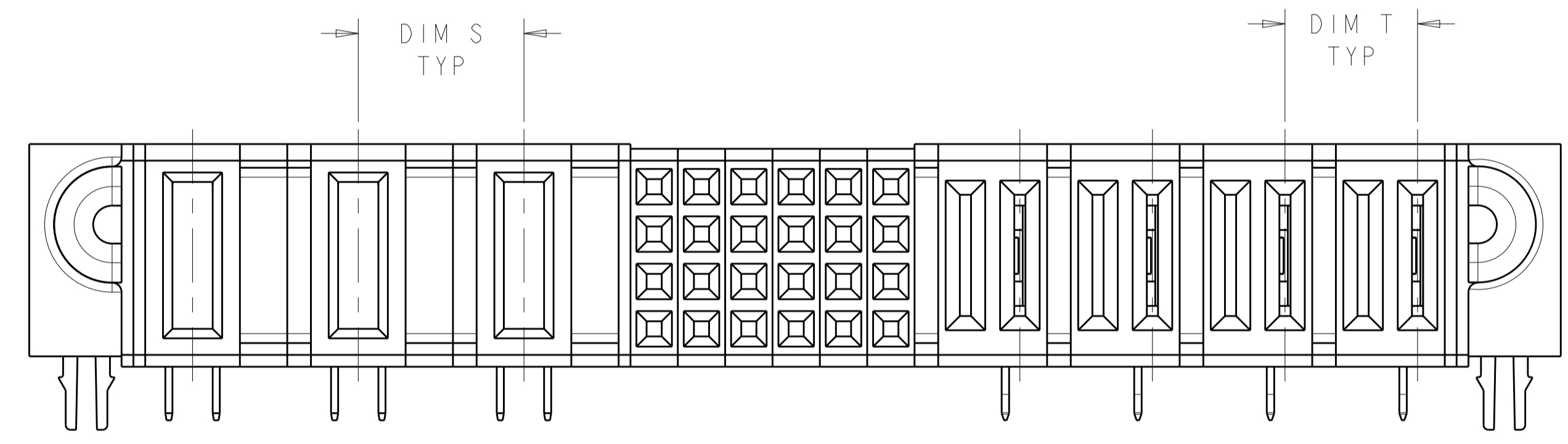


THIS DRAWING IS A CONTROLLED DOCUMENT.		DMN: C. ZHOU 11OCT2007	TE Connectivity
DIMENSIONS: INCHES		CHK: S. ZHAO 11OCT2007	
TOLERANCES UNLESS OTHERWISE SPECIFIED:		APVD: S. ZHAO	NAME: RIGHT ANGLE RECEPTACLE SHORT END MODULE MUTLI-BEAM XLE
0 PLC ±.1	1 PLC ±.01	PRODUCT SPEC: 108-2292	SIZE: A1
2 PLC ±.005	3 PLC ±.0020	APPLICATION SPEC: 114-13251	CAGE CODE: 6450870
4 PLC ±.0020	ANGLES ±.7°	WEIGHT: -	RESTRICTED TO: -
MATERIAL: 2	FINISH: 3	Customer Drawing	SCALE: 4:1 SHEET 1 OF 20 REV: K2

LOC		DIST		REVISIONS			
ES	00	P.	LTN	DESCRIPTION	DATE	DMN	APVD
		-		SEE SHEET 1			



FOR PART NUMBER 6450870-2,6450870-3,6450870-4,6450870-5,THE OTHER DIMENSION REFER TO TABLE OF SHEET 1.



FOR LP/S/P CONFIGUTION (2-6450870-1),THE OTHER DIMENSION REFER TO TABLE OF SHEET 1.

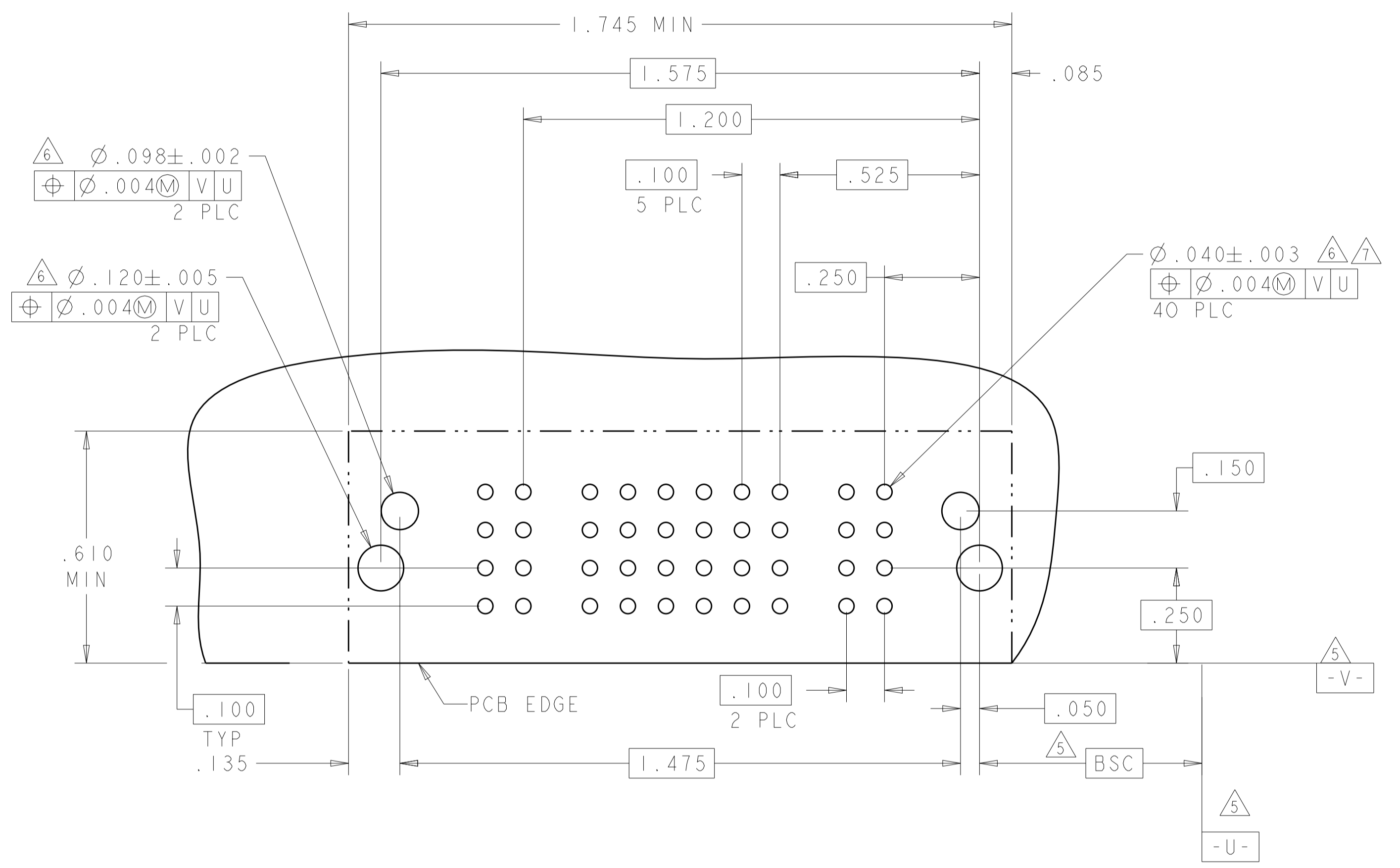
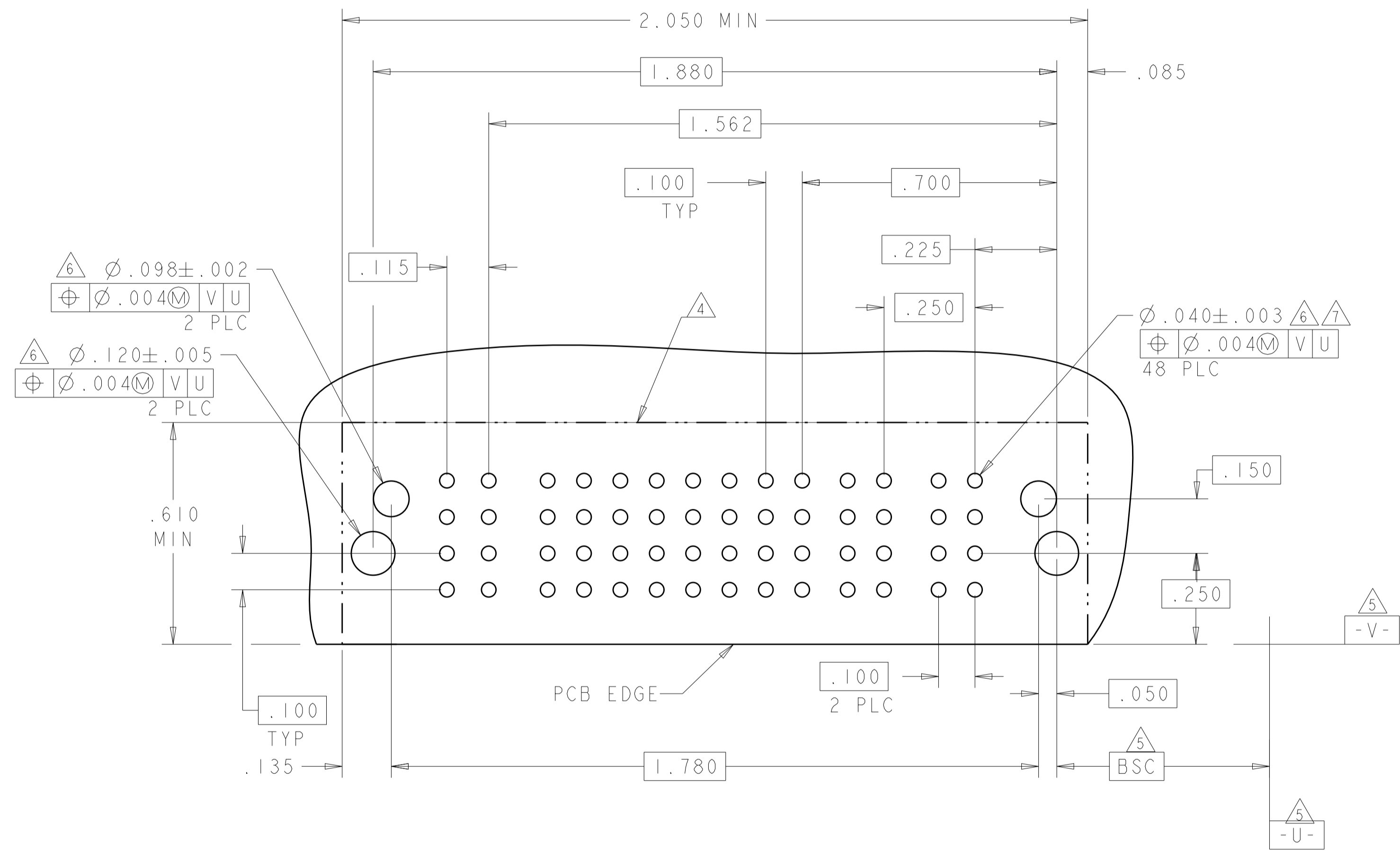
DIM V	DIM U	DIM T	DIM S	DIM R	DIM W	DIM D	DIM L	DIM K	DESCRIPTION	PART NUMBER
1.380	1.170	-	-	1.2425	.435	-	1.520	.2775	1LP + 32S + 1LP	3-6450870-4
2.650	2.440	.250	.250	1.920	1.045	2.550	2.790	.370	3P + 32S + 3P	3-6450870-3
2.650	2.540	-	.250	2.545	1.270	2.750	2.890	.345	4P + 48S + 1P	3-6450870-2
1.850	1.640	.230	.230	1.3675	1.060	1.750	1.990	.2775	3LP + 12S + 4LP	3-6450870-1
2.200	1.990	0.250	0.250	1.495	1.020	2.100	2.340	.345	3P + 16S + 3P	3-6450870-0
1.100	.890	-	-	.895	.570	1.000	1.240	.345	1P + 8S + 1P	2-6450870-9
3.300	3.090	-	.300	3.120	2.370	3.200	3.440	.320	7ACP + 24S + 1P	2-6450870-8
2.550	2.340	.250	.300	1.595	1.120	2.450	2.690	.345	3ACP + 16S + 4P	2-6450870-6
4.000	3.790	.250	.250	2.770	1.520	3.900	4.140	.320	5P + 48S + 5P	2-6450870-5
1.975	1.765	.250	.300	1.520	1.195	1.875	2.115	.345	3ACP + 8S + 2P	2-6450870-4
1.380	1.170	-	-	1.2425	.435	-	1.520	.2775	1LP + 32S + 1LP	2-6450870-3
1.700	1.490	.250	.250	1.245	.770	1.600	1.840	.345	2P + 16S + 2P	2-6450870-2
3.095	2.885	.280	.350	2.190	1.415	2.995	3.235	.3025	8LP + 24S + 3P	2-6450870-1
2.400	2.190	.250	.250	1.695	1.020	2.300	2.540	.345	3P + 24S + 3P	2-6450870-0
2.400	2.190	.250	.250	1.695	1.020	2.300	2.540	.345	3P + 24S + 3P	1-6450870-9
6.200	5.990	.250	.375	2.195	1.845	6.100	6.340	.395	4P + 12S + 16P	1-6450870-8
3.775	3.565	.375	.375	2.445	2.045	3.675	3.915	.345	5ACP + 12S + 4ACP	1-6450870-6
2.020	1.810	-	.300	1.0775	.870	1.920	2.160	.320	2ACP + 8S + 4LP	1-6450870-5
2.295	2.085	.215	.215	1.465	.865	2.195	2.435	.2775	3LP + 20S + 4HDP	1-6450870-4
4.500	4.290	.300	.300	3.220	2.695	4.400	4.640	.370	8ACP + 16S + 4ACP	1-6450870-3
2.260	2.050	-	.300	1.7775	1.145	2.160	2.400	.345	3ACP + 24S + 4LP	1-6450870-2
1.700	1.490	.200	.200	1.295	.720	1.600	1.840	.345	2P + 20S + 2P	1-6450870-1
1.600	1.390	.200	.200	1.195	.720	1.500	1.740	.345	2P + 16S + 2P	1-6450870-0
2.200	1.990	.200	.200	1.795	.720	2.100	2.340	.345	2P + 40S + 2P	6450870-9
2.650	2.440	.250	.250	1.920	1.045	2.550	2.790	.370	3P + 32S + 3P	6450870-8
3.100	2.890	.230	.230	2.5025	1.945	3.000	3.240	.320	8HDP + 20S + 5LP	6450870-7
1.400	1.190	-	-	1.195	.520	1.300	1.540	.345	1P + 24S + 1P	6450870-5
2.400	2.190	.250	.250	1.695	1.020	2.300	2.540	.345	3P + 24S + 3P	6450870-4
1.900	1.690	.250	.250	1.445	.770	1.800	2.040	.345	2P + 24S + 2P	6450870-3
1.575	1.365	-	-	1.320	.595	1.475	1.715	.370	1P + 24S + 1P	6450870-2
1.880	1.670	-	.250	1.6025	.770	1.780	2.020	.345	2P + 32S + 2LP	6450870-1

THIS DRAWING IS A CONTROLLED DOCUMENT. DWN: C. ZHOU 11OCT2007
 CHK: S. ZHAO 11OCT2007
 DIMENSIONS: INCHES. TOLERANCES UNLESS OTHERWISE SPECIFIED:
 0 PLC ±.1
 1 PLC ±.01
 2 PLC ±.01
 3 PLC ±.005
 4 PLC ±.0020
 ANGLES ±.0020
 MATERIAL: FINISH:
 THIS DRAWING IS A CONTROLLED DOCUMENT. DWN: C. ZHOU 11OCT2007
 CHK: S. ZHAO 11OCT2007
 NAME: S. ZHAO
 PRODUCT SPEC: 108-2292
 APPLICATION SPEC: 114-13251
 WEIGHT: Customer Drawing
STE TE Connectivity
 RIGHT ANGLE RECEPTACLE SHORT END MODULE MULTI-BEAM XLE
 SIZE: A1 00779 C=6450870
 SCALE: 4:1 SHEET 2 OF 20 REV: K2

LOC	DIST	REV	DATE	BY	APPD
ES	00				
REVISIONS					
DESCRIPTION			DATE	BY	APPD
SEE SHEET 1					

PART NUMBER	ROWS	POWER		SIGNAL								POWER	
		LP2	LPI	8	7	6	5	4	3	2	1	P2	PI
6450870-1	D	LM	LM	H	H	H	H	H	H	H	H	RM	RM
	C			G	G	G	G	G	G	G			
	B			F	F	F	F	F	F	F			
	A			E	E	E	E	E	E	E			
2P + 32S + 2LP		HD										HD	

PART NUMBER	ROWS	POWER		SIGNAL						POWER	
		P2	PI	6	5	4	3	2	1	P2	PI
6450870-2	D	RM	RM	H	H	H	H	H	H	RM	RM
	C			G	G	G	G	G	G		
	B			F	F	F	F	F	F		
	A			E	E	E	E	E	E		
IP + 24S + IP		HD								HD	



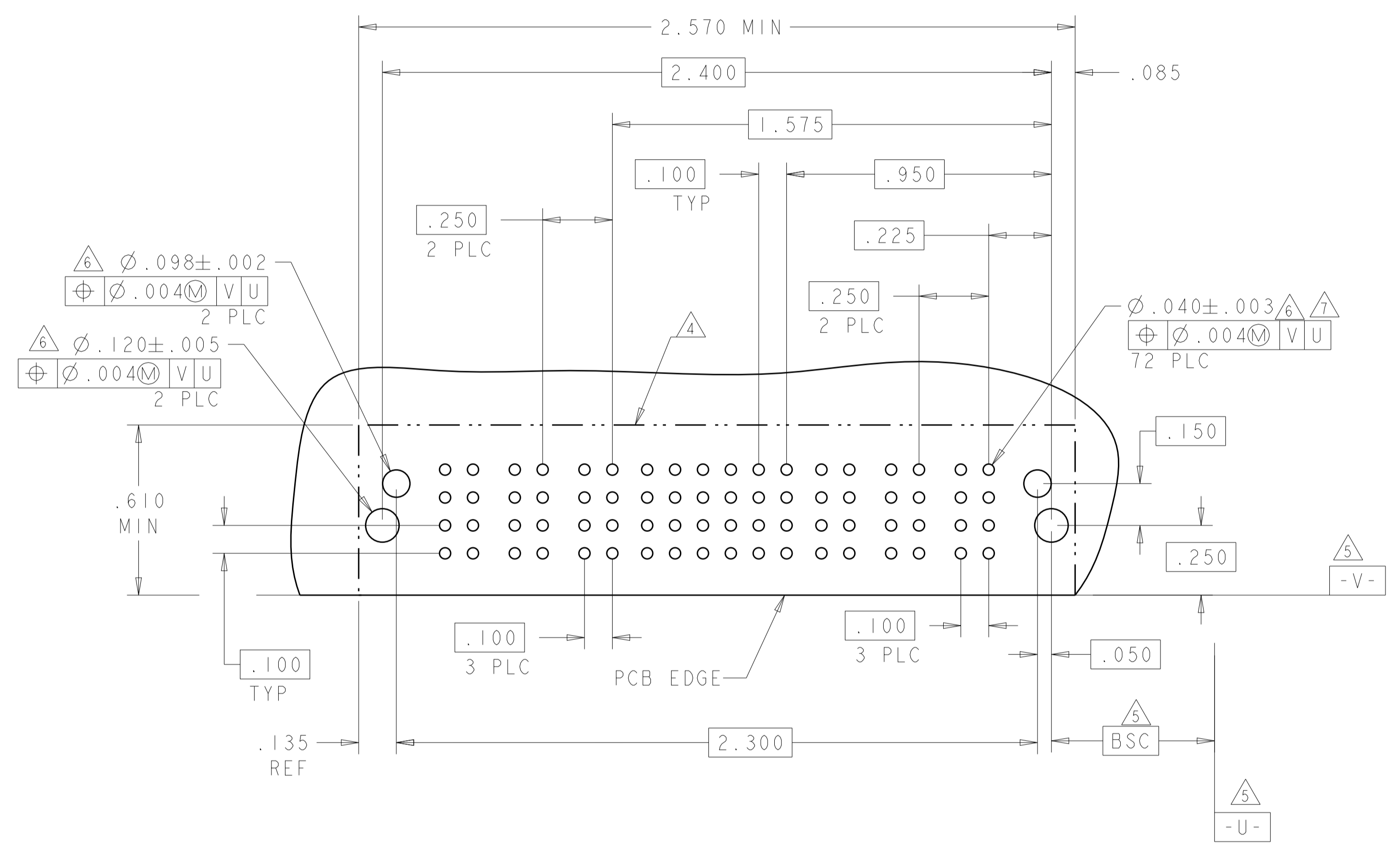
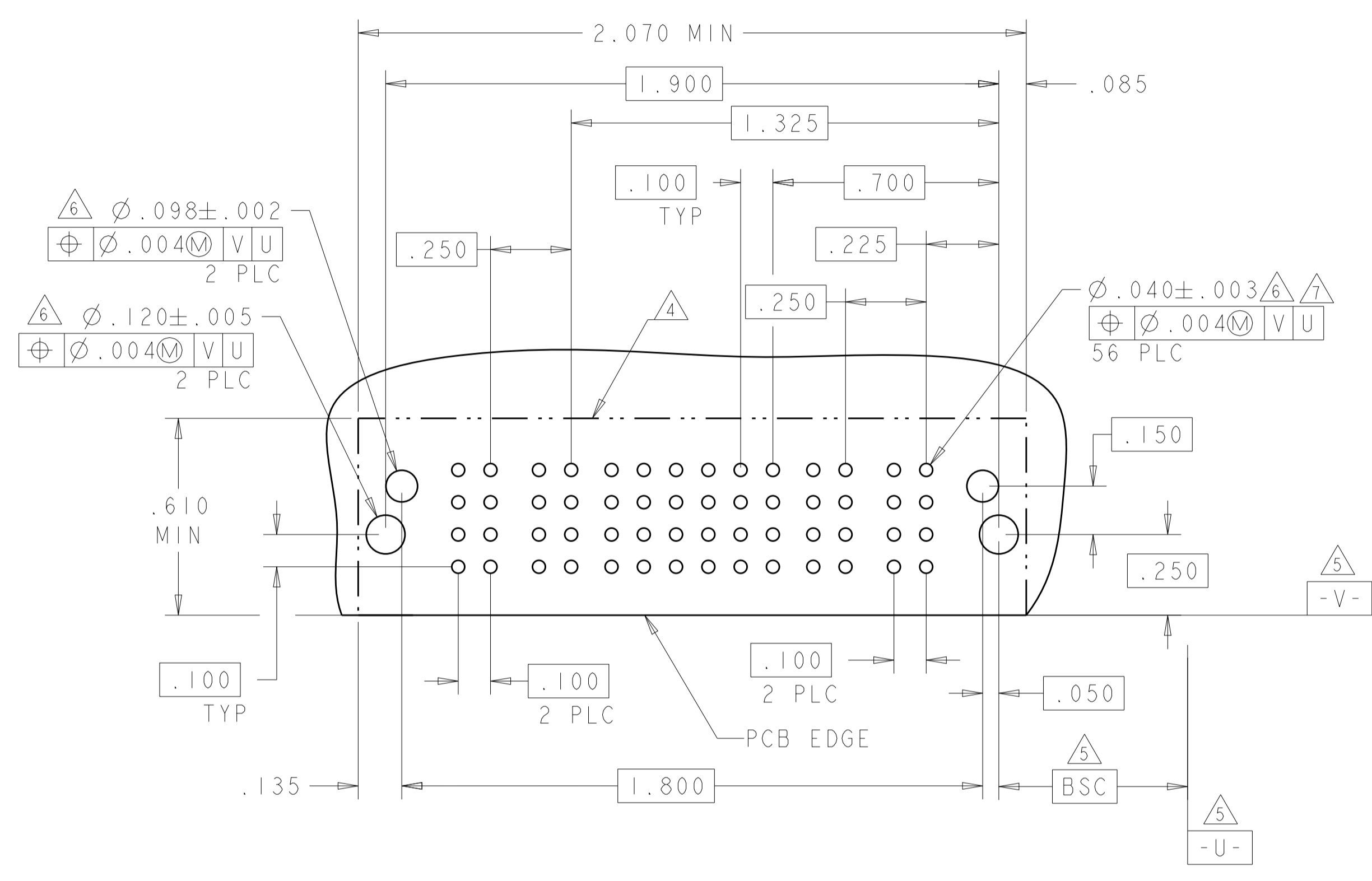
DESCRIPTION	IDENTIFIER
STANDARD SIGNAL CONTACT, .135 TAIL LENGTH, ROW D	H
STANDARD SIGNAL CONTACT, .135 TAIL LENGTH, ROW C	G
STANDARD SIGNAL CONTACT, .135 TAIL LENGTH, ROW B	F
STANDARD SIGNAL CONTACT, .135 TAIL LENGTH, ROW A	E
MFBL POWER CONTACT, .135 TAIL LENGTH	RA
STD POWER CONTACT, .135 TAIL LENGTH	RM
LOWER POWER CONTACT, .135 TAIL LENGTH	LM

THIS DRAWING IS A CONTROLLED DOCUMENT.		OWN	11OCT2007
DIMENSIONS:		C. ZHOU	
INCHES		S. ZHAO	11OCT2007
TOLERANCES UNLESS OTHERWISE SPECIFIED:		APVD	
0 PLC	±.1	S. ZHAO	
1 PLC	±.01	NAME	
2 PLC	±.01	PRODUCT SPEC	
3 PLC	±.005	108-2292	
4 PLC	±.002	APPLICATION SPEC	
ANGLES	±.0020	114-13251	
MATERIAL	FINISH	WEIGHT	
Customer Drawing		SCALE	4:1
		SHEET	3 OF 20
		REV	K2

LOC	DIST	REV	DATE	BY	APPV
ES	00				
DESCRIPTION			DATE	BY	APPV
SEE SHEET 1					

PART NUMBER	ROWS	POWER		SIGNAL						POWER	
		P4	P3	6	5	4	3	2	1	P2	P1
6450870-3	D C B A	RM	RM	H	H	H	H	H	H	RM	RM
				G	G	G	G	G	G		
				F	F	F	F	F	F		
2P + 24S + 2P				E	E	E	E	E	E		

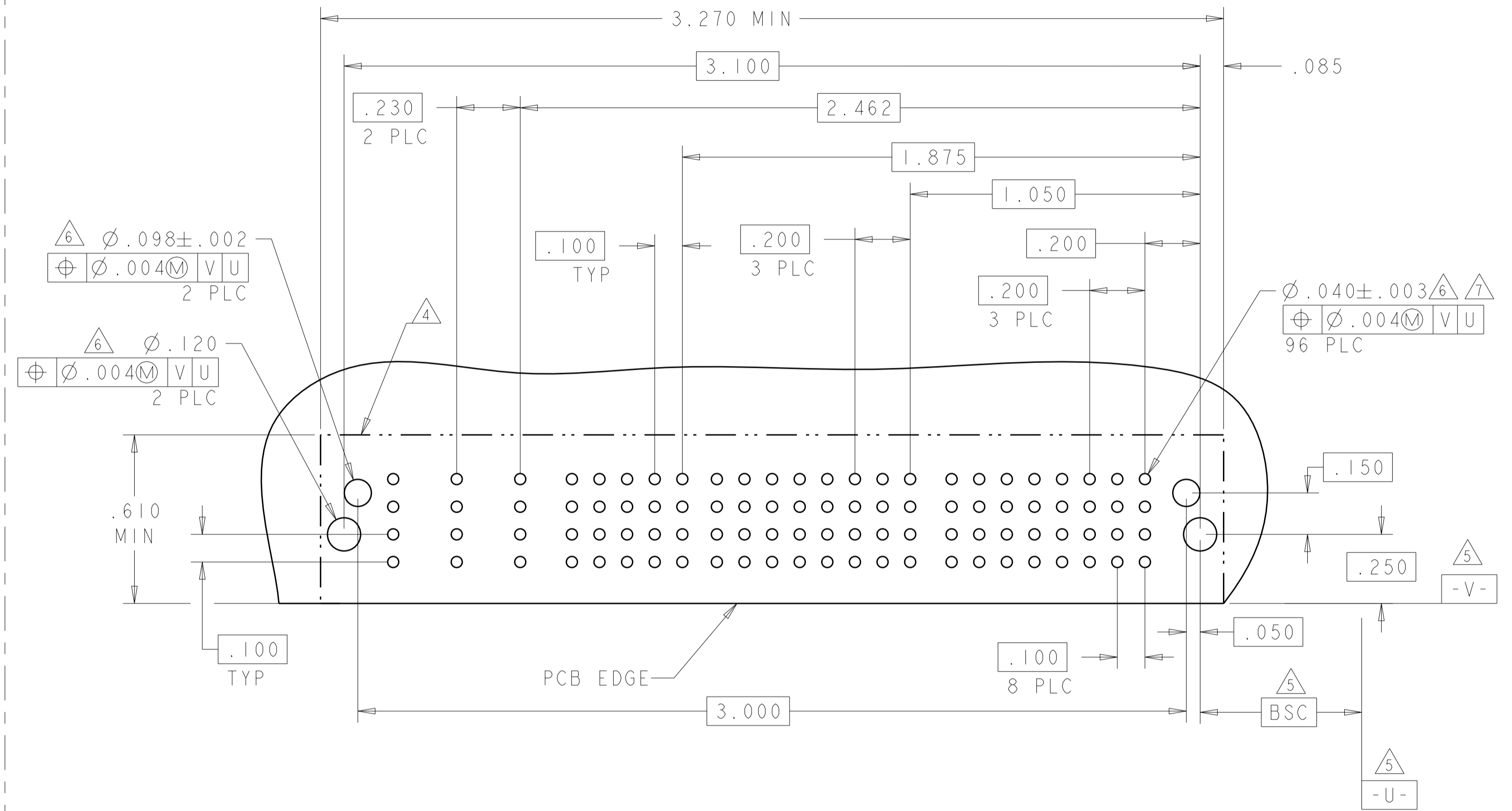
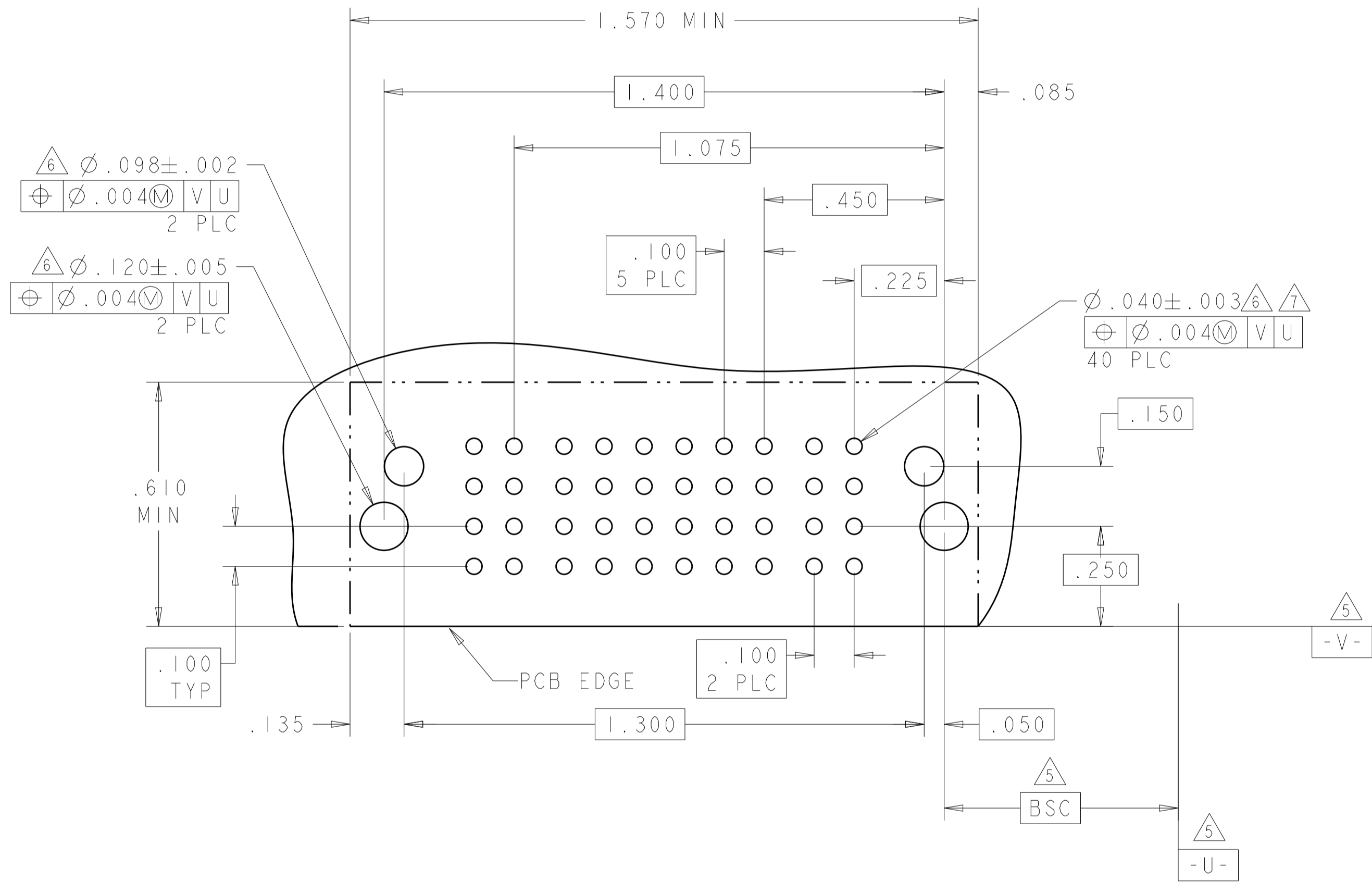
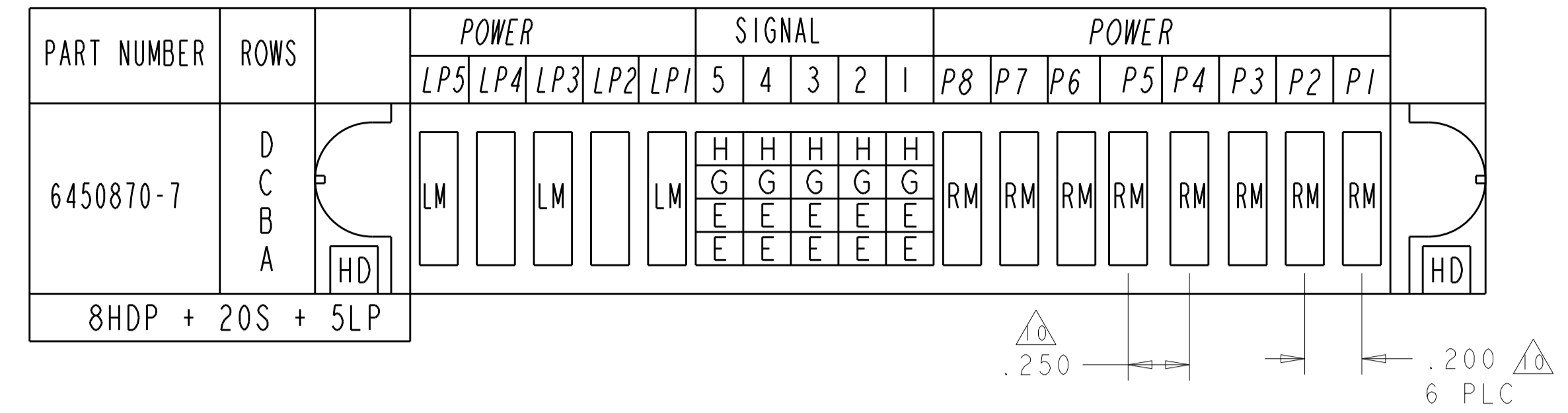
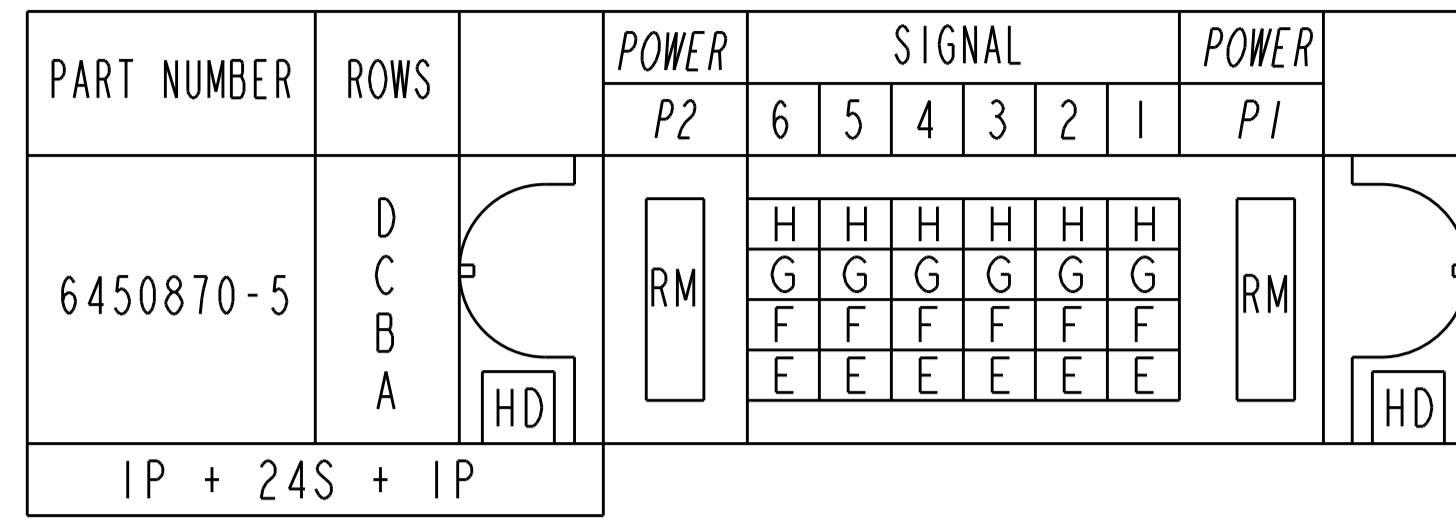
PART NUMBER	ROWS	POWER			SIGNAL						POWER		
		P6	P5	P4	6	5	4	3	2	1	P3	P2	P1
6450870-4	D C B A	RM	RM	RM	H	H	H	H	H	H	RM	RM	RM
					G	G	G	G	G	G			
					F	F	F	F	F	F			
3P + 24S + 3P					E	E	E	E	E	E			



THIS DRAWING IS A CONTROLLED DOCUMENT.

DIMENSIONS: INCHES	TOLERANCES UNLESS OTHERWISE SPECIFIED: 0 PLC ±.1 1 PLC ±.01 2 PLC ±.005 3 PLC ±.002 4 PLC ±.002 ANGLES ±.2°	FINISH	APPROVED: S. ZHAO	DATE: 11OCT2007	NAME: S. ZHAO
MATERIAL			PRODUCT SPEC: 108-2292	APPLICATION SPEC: 114-13251	WEIGHT
Customer Drawing			SCALE: 4:1	SHEET: 4 OF 20	REV: K2

STE TE Connectivity
 RIGHT ANGLE RECEPTACLE
 SHORT END MODULE
 MULTI-BEAM XLE



THIS DRAWING IS A CONTROLLED DOCUMENT.		DMN C. ZHOU CHK S. ZHAO APVD S. ZHAO	11OCT2007 11OCT2007	TE Connectivity	
DIMENSIONS: INCHES	TOLERANCES UNLESS OTHERWISE SPECIFIED:	NAME		RIGHT ANGLE RECEPTACLE SHORT END MODULE MULTIBEAM XLE	
	0 PLC ± .01 1 PLC ± .01 2 PLC ± .01 3 PLC ± .005 4 PLC ± .002 ANGLES ± .020	PRODUCT SPEC	108-2292	SIZE	CAGE CODE DRAWING NO
MATERIAL	FINISH	APPLICATION SPEC	114-13251	RESTRICTED TO	A100779C=6450870
Customer Drawing		WEIGHT	-	SCALE	4:1
Customer Drawing		DATE	-	SHEET	5 OF 20
Customer Drawing		REV	K2		

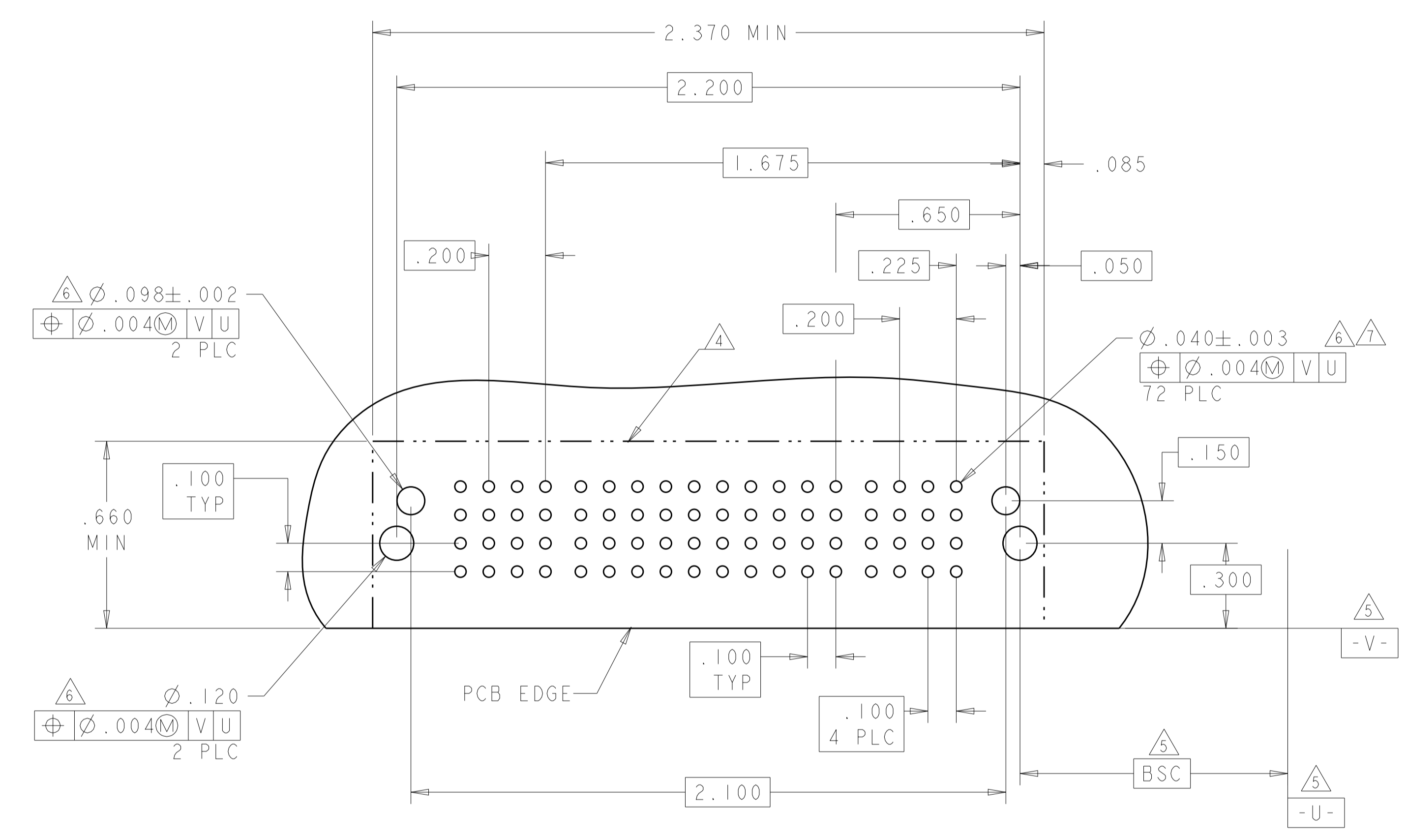
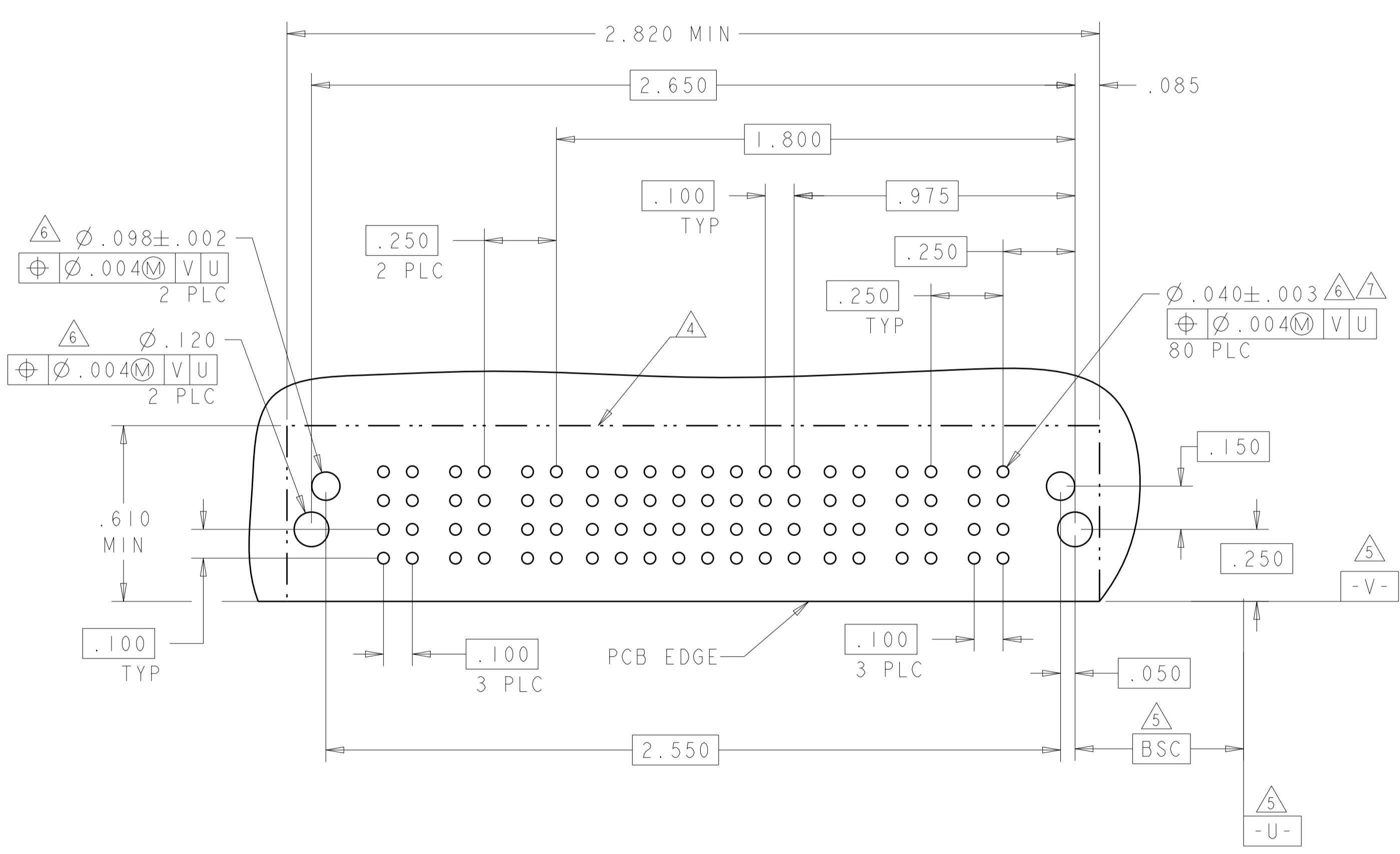
LOC	DIST	REV	DATE	BY	APPV
ES	00				

PART NUMBER	ROWS	POWER			SIGNAL								POWER				
		P6	P5	P4	8	7	6	5	4	3	2	1	P3	P2	P1		
6450870-8	D	RM	RM	RM	H	H	H	H	H	H	H	H	H	H	RM	RM	RM
	C				G	G	G	G	G	G	G	G	G				
	B				F	F	F	F	F	F	F	F	F				
	A				E	E	E	E	E	E	E	E	E				
3P + 32S + 3P																	

PART NUMBER	ROWS	POWER		SIGNAL										POWER		
		P4	P3	10	9	8	7	6	5	4	3	2	1	P2	P1	
6450870-9	D	RM	RM	H	H	H	H	H	H	H	H	H	H	H	RM	RM
	C			G	G	G	G	G	G	G	G	G	G			
	B			F	F	F	F	F	F	F	F	F	F	F		
	A			E	E	E	E	E	E	E	E	E	E	E		
2P + 40S + 2P																

J8

PART NUMBER	ROWS	POWER			SIGNAL								POWER				
		P6	P5	P4	8	7	6	5	4	3	2	1	P3	P2	P1		
3-6450870-3	D	RN	RN	RN	L	L	L	L	L	L	L	L	L	L	RN	RN	RN
	C				K	K	K	K	K	K	K	K	K				
	B				J	J	J	J	J	J	J	J	J	J			
	A				I	I	I	I	I	I	I	I	I	I			
3P + 32S + 3P																	



DESCRIPTION	IDENTIFIER
STANDARD SIGNAL CONTACT, .090 TAIL LENGTH, ROW D	L
STANDARD SIGNAL CONTACT, .090 TAIL LENGTH, ROW C	K
STANDARD SIGNAL CONTACT, .090 TAIL LENGTH, ROW B	J
STANDARD SIGNAL CONTACT, .090 TAIL LENGTH, ROW A	I
STD POWER CONTACT, .090 TAIL LENGTH	RN

THIS DRAWING IS A CONTROLLED DOCUMENT.

DIMENSIONS: INCHES	TOLERANCES UNLESS OTHERWISE SPECIFIED:	0 PLC ±.1	1 PLC ±.01	2 PLC ±.01	3 PLC ±.005	4 PLC ±.002	ANGLES ±.2°
--------------------	--	-----------	------------	------------	-------------	-------------	-------------

MATERIAL	FINISH	WEIGHT	Customer Drawing
----------	--------	--------	------------------

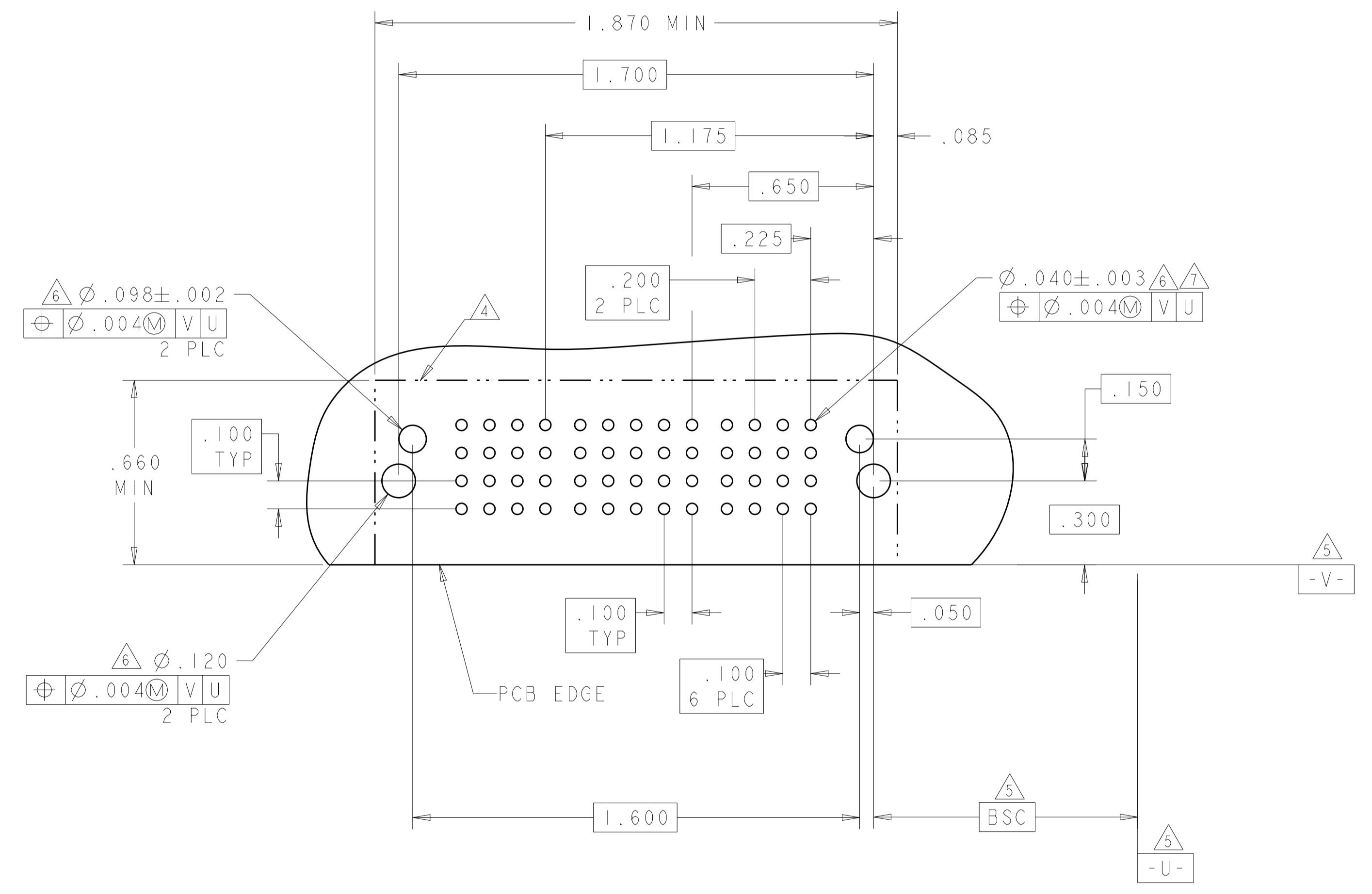
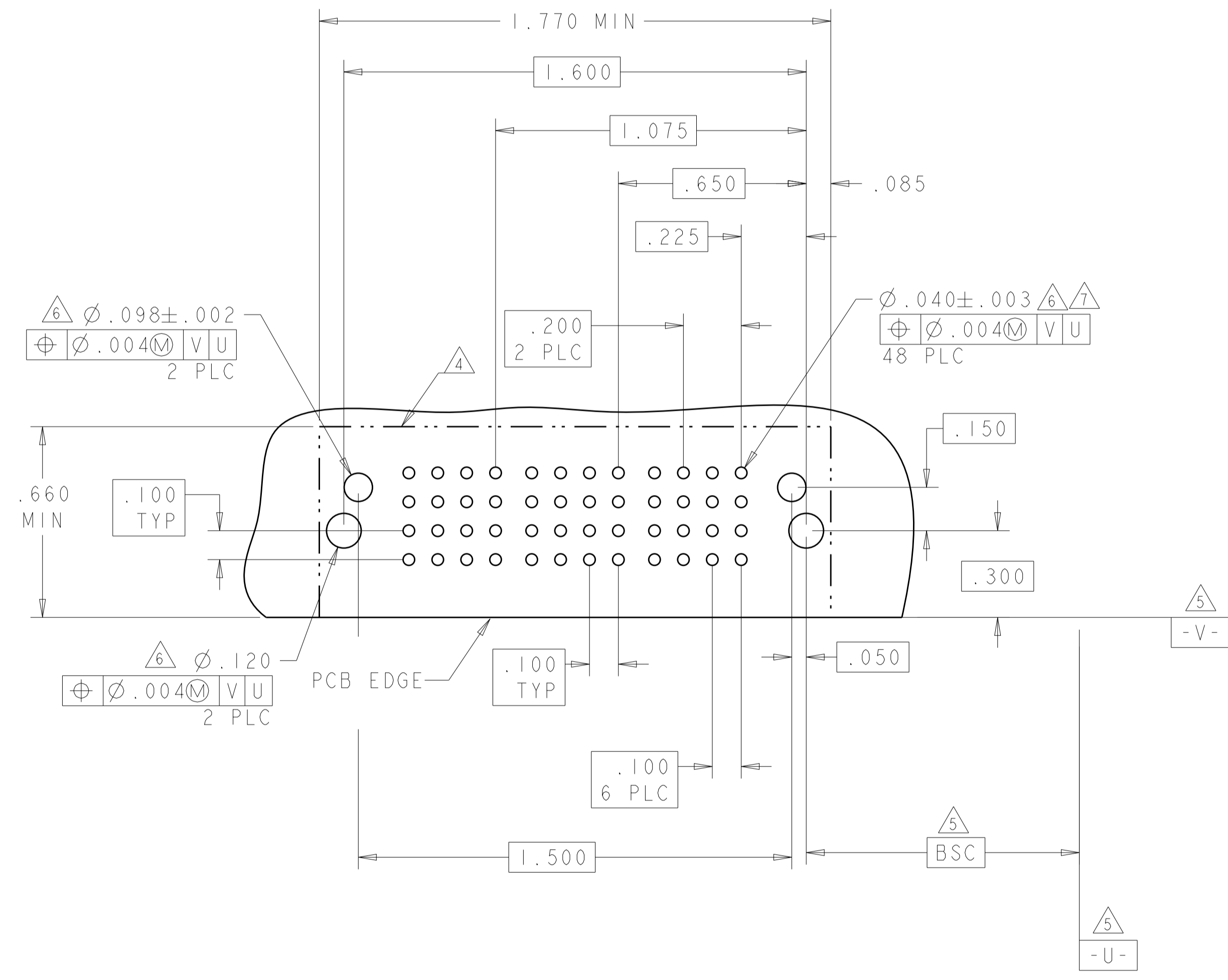
DWG: C.ZHOU 11OCT2007	CHK: S.ZHAO 11OCT2007	APVD: S.ZHAO	NAME
PRODUCT SPEC: 108-2292		APPLICATION SPEC: 114-13251	
SIZE: A1	CAGE CODE: 100779	DRAWING NO: 6450870	RESTRICTED TO: -
SCALE: 4:1		SHEET: 6	OF 20

STE TE Connectivity
RIGHT ANGLE RECEPTACLE SHORT END MODULE MULTI-BEAM XLE

LOC	DIST	REVISIONS			
P	LTN	DESCRIPTION	DATE	DMN	APVD
ES	00	SEE SHEET 1	-	-	-

PART NUMBER	ROWS	POWER		SIGNAL				POWER	
		P4	P3	4	3	2	1	P2	P1
1-6450870-0	D	RM	RM	H	H	H	H	RM	RM
	C			G	G	G	G		
	B			F	F	F	F		
	A			E	E	E	E		
2P + 16S + 2P		HD		HD				HD	

PART NUMBER	ROWS	POWER		SIGNAL				POWER	
		P4	P3	5	4	3	2	1	P2
1-6450870-1	D	RM	RM	H	H	H	H	RM	RM
	C			G	G	G	G		
	B			F	F	F	F		
	A			E	E	E	E		
2P + 20S + 2P		HD		HD				HD	



THIS DRAWING IS A CONTROLLED DOCUMENT.

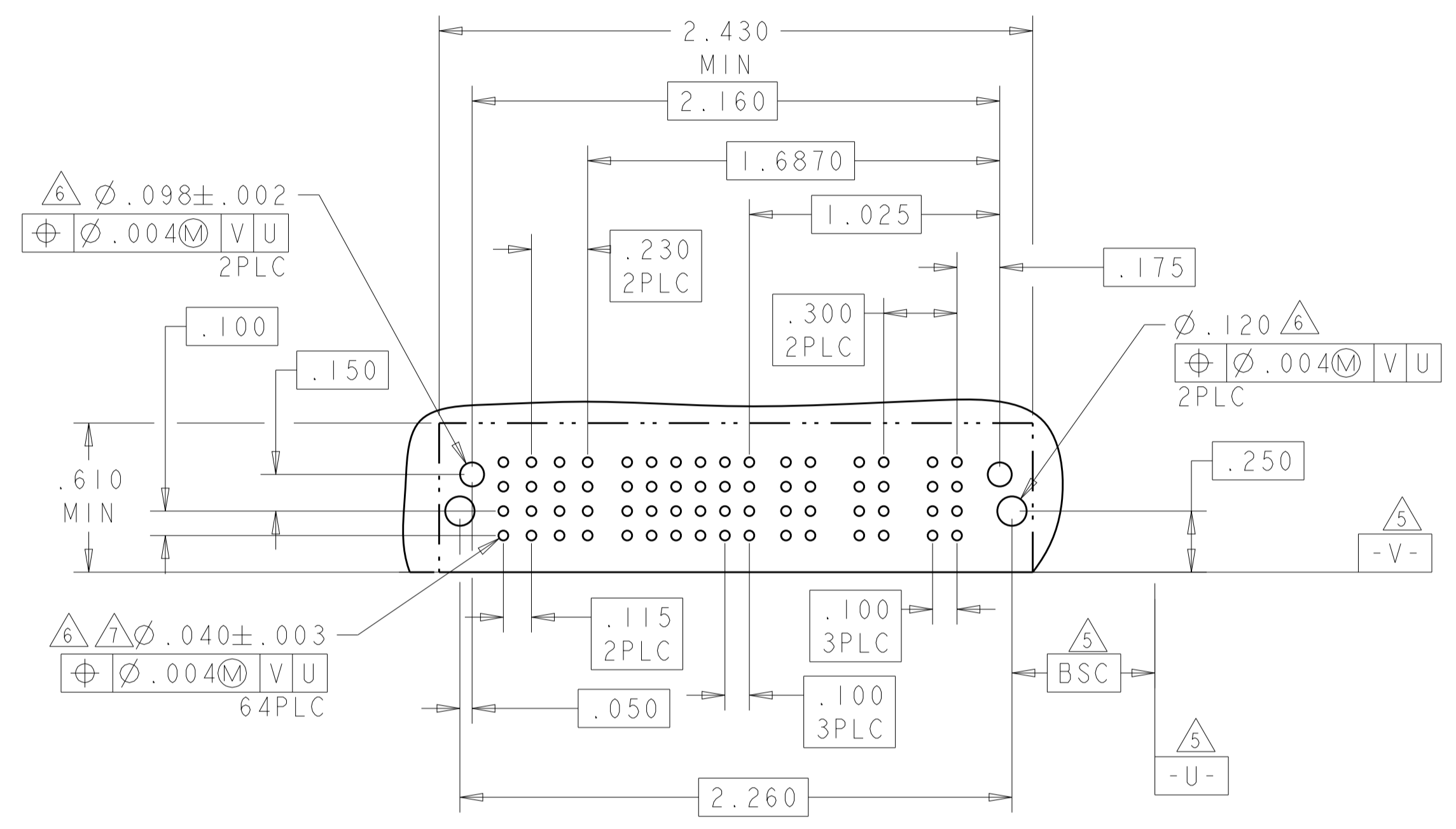
DIMENSIONS: INCHES	TOLERANCES UNLESS OTHERWISE SPECIFIED: 0 PLC ±.1 2 PLC ±.01 3 PLC ±.005 4 PLC ±.0020 ANGLES ±.7°	FINISH	DMN: C. ZHOU 11OCT2007 CHK: S. ZHAO 11OCT2007 APVD: S. ZHAO	NAME: S. ZHAO	PRODUCT SPEC: 108-2292 APPLICATION SPEC: 114-13251	SIZE: A1 CAGE CODE: 100779 DRAWING NO: C=6450870	RESTRICTED TO: -
-----------------------	---	--------	---	---------------	---	--	------------------

Customer Drawing SCALE 4:1 SHEET 7 OF 20 REV K2

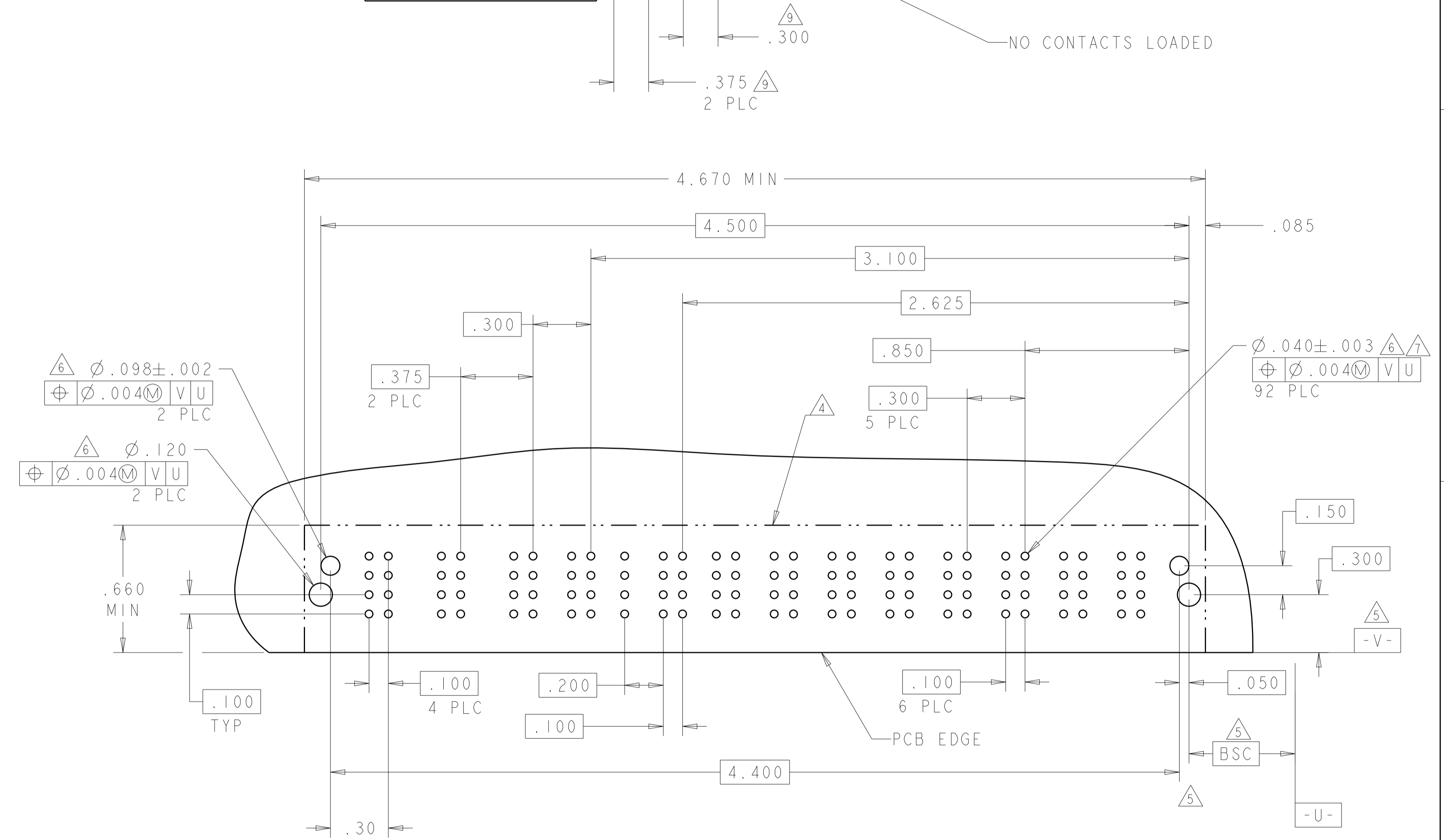
STE TE Connectivity
RIGHT ANGLE RECEPTACLE
SHORT END MODULE
MULTI-BEAM XLE

LOC	DIST	REVISIONS		
ES	00	REV	DATE	APPROV
		1	SEE SHEET 1	

PART NUMBER	ROWS	POWER				SIGNAL					POWER			
		P7	P6	P5	P4	6	5	4	3	2	1	P3	P2	P1
I-6450870-2	D C B A	LM	LM	LM	LM	H	H	H	H	H	H	RM	RM	RM
						G	G	G	G	G	G			
						F	F	F	F	F	F			
		HD											HD	
3ACP + 24S + 4LP														



PART NUMBER	ROWS	POWER				SIGNAL				POWER							
		P12	P11	P10	P9	4	3	2	1	P8	P7	P6	P5	P4	P3	P2	P1
I-6450870-3	D C B A	RM	RM	RM	RA	H	H		H	RA	RA	RA	RA	RM	RM	RM	RM
						G	G		G								
						F	F		F								
		HD											HD				
8ACP + 16S + 4ACP																	

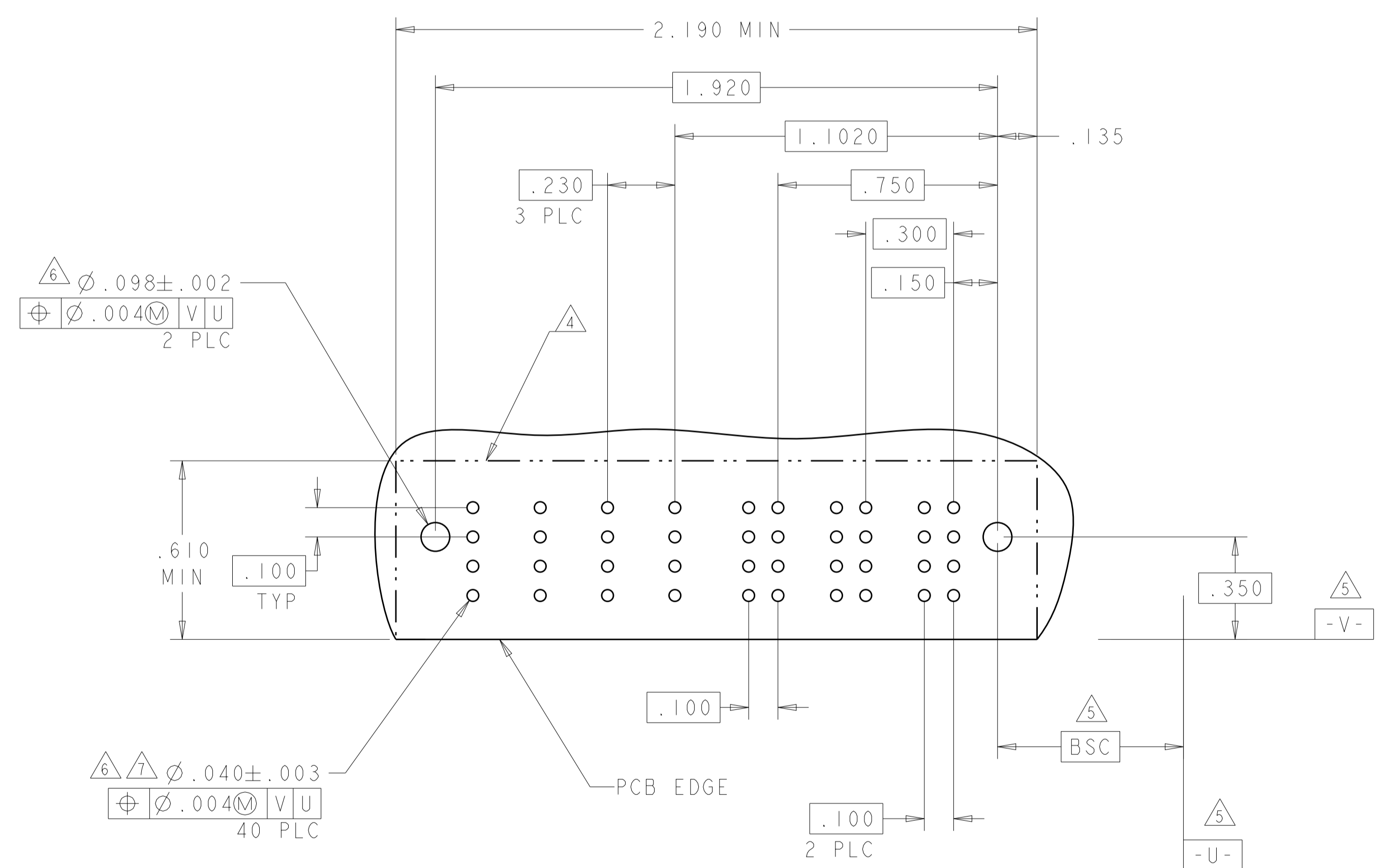
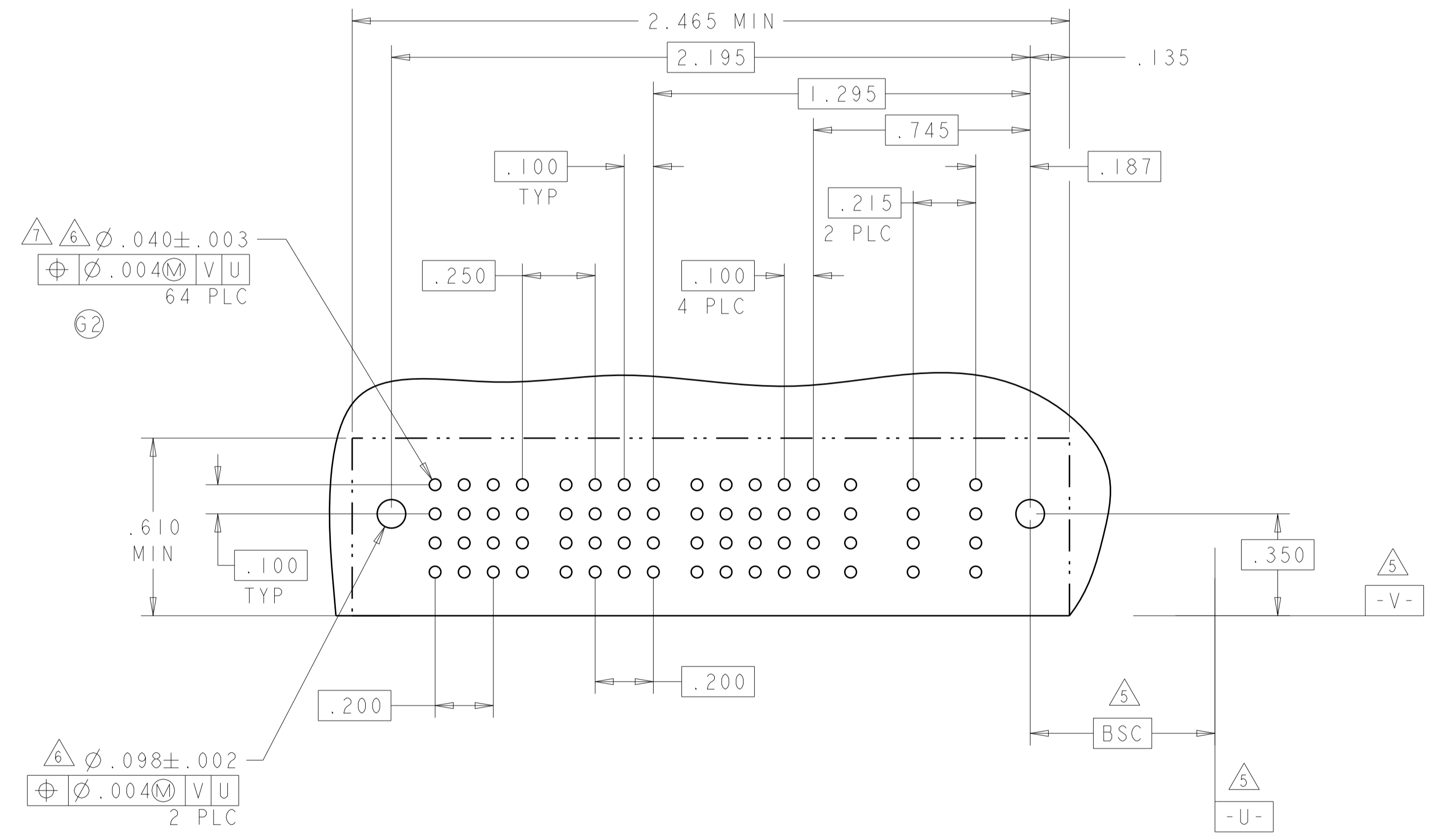
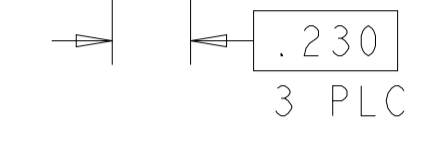
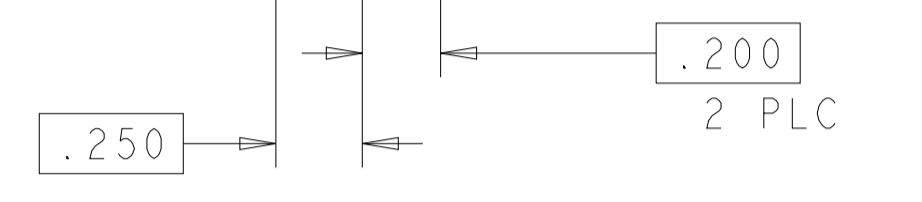


THIS DRAWING IS A CONTROLLED DOCUMENT.		DWN: C. ZHOU 11OCT2007 CHK: S. ZHAO 11OCT2007 APVD: S. ZHAO NAME:	TE Connectivity RIGHT ANGLE RECEPTACLE SHORT END MODULE MULTI-BEAM XLE
DIMENSIONS: INCHES	TOLERANCES UNLESS OTHERWISE SPECIFIED: 0 PLC ±. 1 PLC ±.1 2 PLC ±.01 3 PLC ±.005 4 PLC ±.0020 ANGLES ±.2°	PRODUCT SPEC: 108-2292 APPLICATION SPEC: 114-13251 WEIGHT:	
MATERIAL:		Customer Drawing	
		SCALE: 4:1	SHEET 8 OF 20

LOC	DIST	REV	DATE	BY	APPV
ES	00				
		REVISIONS			
		DESCRIPTION	DATE	BY	APPV
		SEE SHEET 1			

PART NUMBER	ROWS	POWER				SIGNAL					POWER		
		P4	P3	P2	P1	5	4	3	2	1	LP3	LP2	LP1
1-6450870-4	D C B A	RM	RM	RM	RM	H	H	H	H	H	LM	LM	LM
						G	G	G	G	G			
						F	F	F	F	F			
						E	E	E	E	E			
3LP + 2OS + 4HDP													

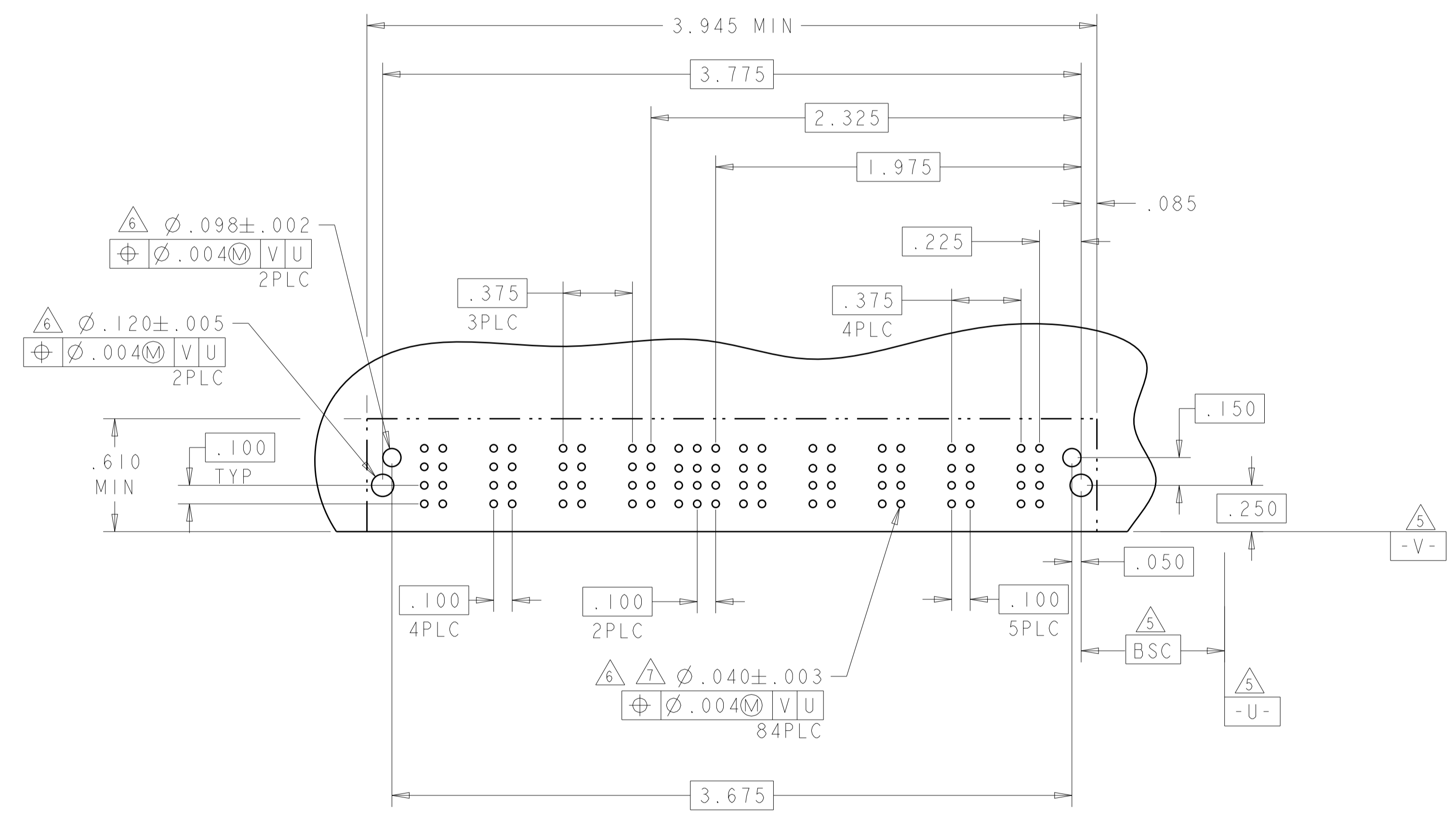
PART NUMBER	ROWS	POWER				SIGNAL		POWER	
		LP4	LP3	LP2	LP1	2	1	P2	P1
1-6450870-5	D C B A	LM	LM	LM	LM	H	H	RM	RM
						G	G		
						F	F		
						E	E		
2ACP + 8S + 4LP									



THIS DRAWING IS A CONTROLLED DOCUMENT.		OWN: C. ZHOU 11OCT2007		TE Connectivity
DIMENSIONS: INCHES		CHK: S. ZHAO 11OCT2007		NAME: RIGHT ANGLE RECEPTACLE SHORT END MODULE MULTI-BEAM XLE
TOLERANCES UNLESS OTHERWISE SPECIFIED:		APVD: S. ZHAO	PRODUCT SPEC: 108-2292	
0 PLC ±.1		APPLICATION SPEC: 114-13251		RESTRICTED TO:
1 PLC ±.01		WEIGHT: -		Customer Drawing
2 PLC ±.01		SCALE: 4:1		SHEET 9 OF 20
3 PLC ±.005		REV: K2		
4 PLC ±.0020				
ANGLES ±.020				
FINISH: -				

LOC	DIST	REVISIONS			
P	LTN	DESCRIPTION	DATE	DMN	APVD
ES	00	SEE SHEET 1			

PART NUMBER	ROWS	POWER	SIGNAL			POWER									
			P9	P8	P7		P6	3	2	1	P5	P4	P3	P2	P1
I-6450870-6	D	RA	RA	RA	RA	RA	RA	RA	RA	RA	RA	RA	RA	RA	
	C					H	H	H							
	B					G	G	G							
	A					F	F	F							
						E	E	E							
		5ACP + 12S + 4ACP													

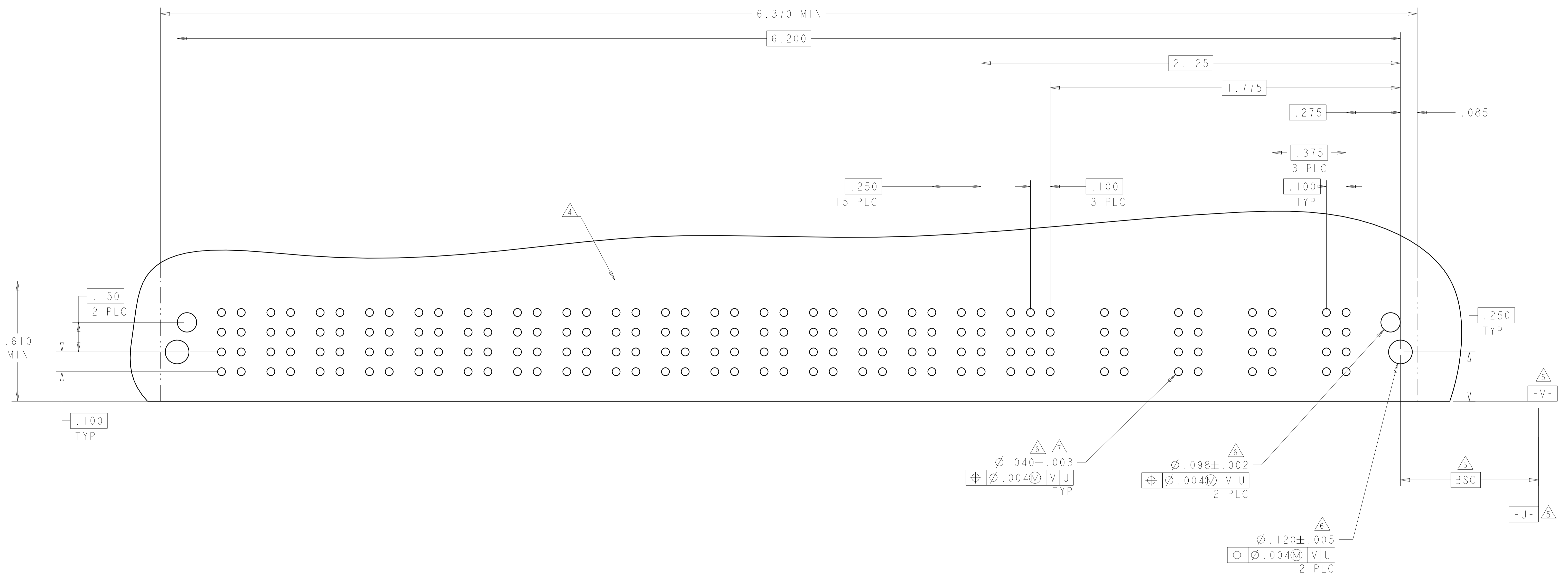


THIS DRAWING IS A CONTROLLED DOCUMENT.		DMN	C. ZHOU	11OCT2007	TE Connectivity
DIMENSIONS: INCHES		CHK	S. ZHAO	11OCT2007	
TOLERANCES UNLESS OTHERWISE SPECIFIED:		APVD	S. ZHAO		NAME
0 PLC	±	PRODUCT SPEC		RIGHT ANGLE RECEPTACLE	
1 PLC	±.1	APPLICATION SPEC		SHORT END MODULE	
2 PLC	±.01	SIZE		MULTI-BEAM XLE	
3 PLC	±.005	CAGE CODE		DRAWING NO	
4 PLC	±.0020	RESTRICTED TO			
ANGLES	±.2°	MATERIAL		A100779C=6450870	
FINISH		WEIGHT		SCALE 4:1 SHEET 10 OF 20 REV K2	
		Customer Drawing			

LOC	DIST	REVISIONS			
P	LTN	DESCRIPTION	DATE	DNW	APVD
ES	00	SEE SHEET 1	-	-	-

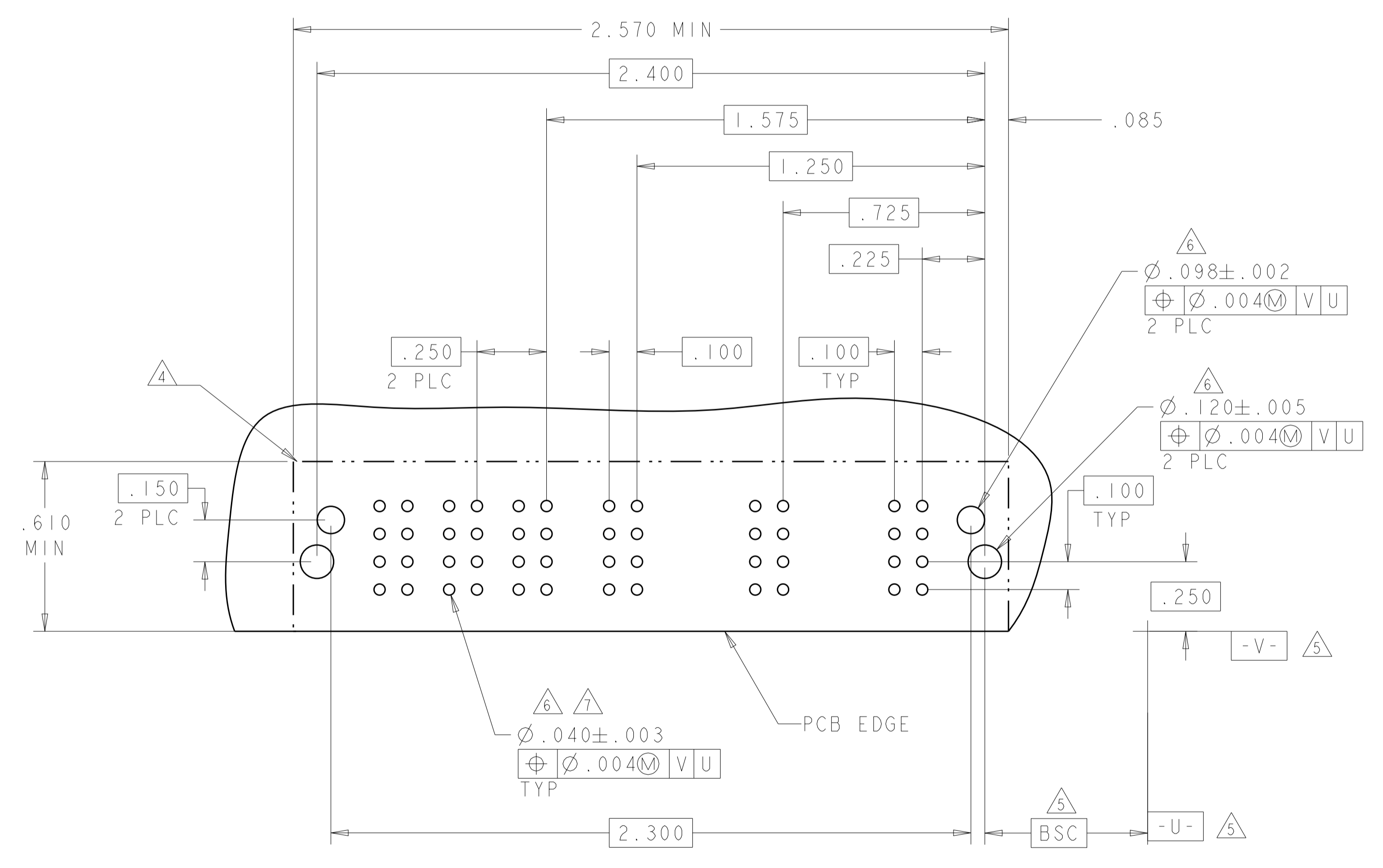
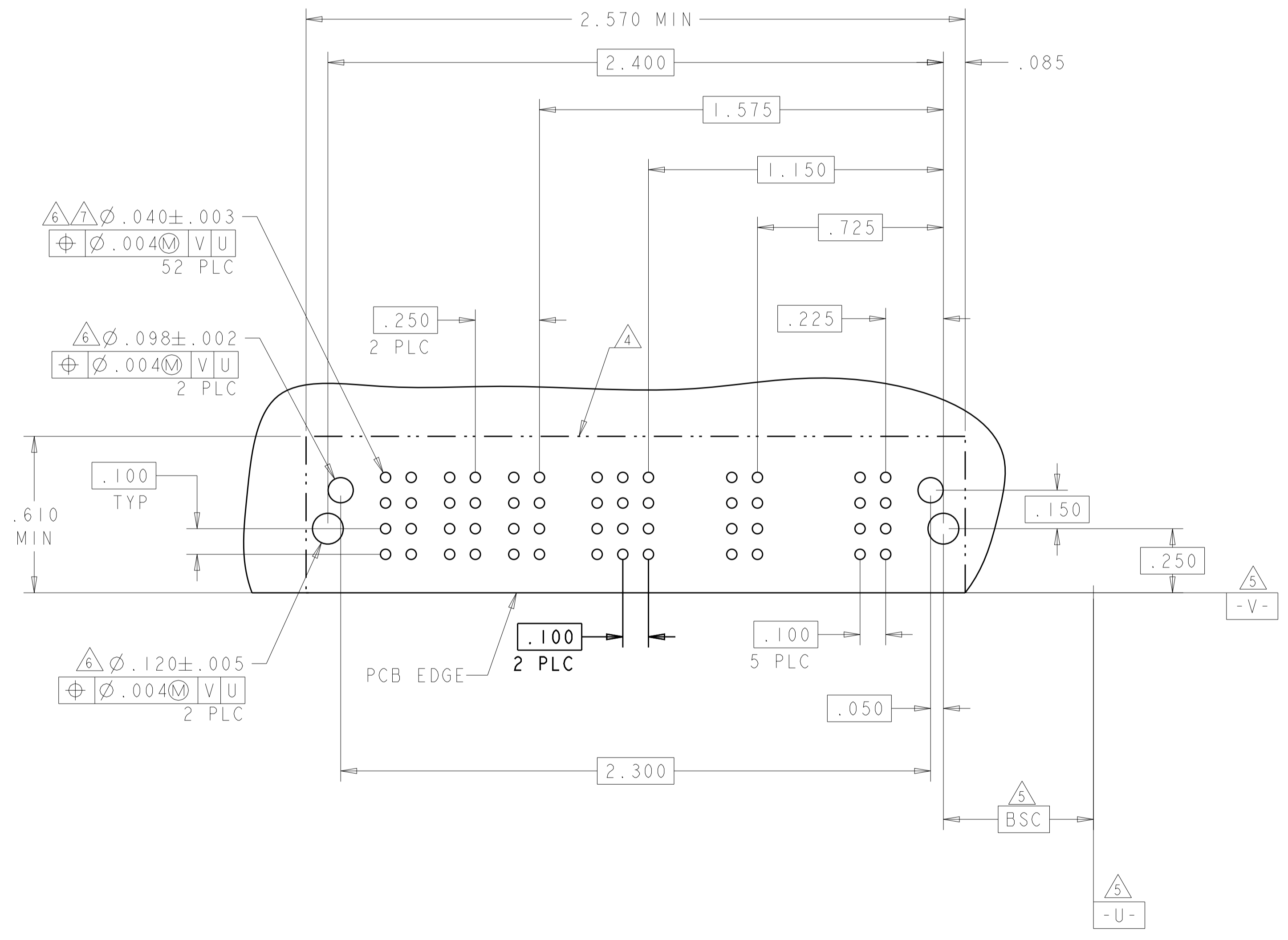
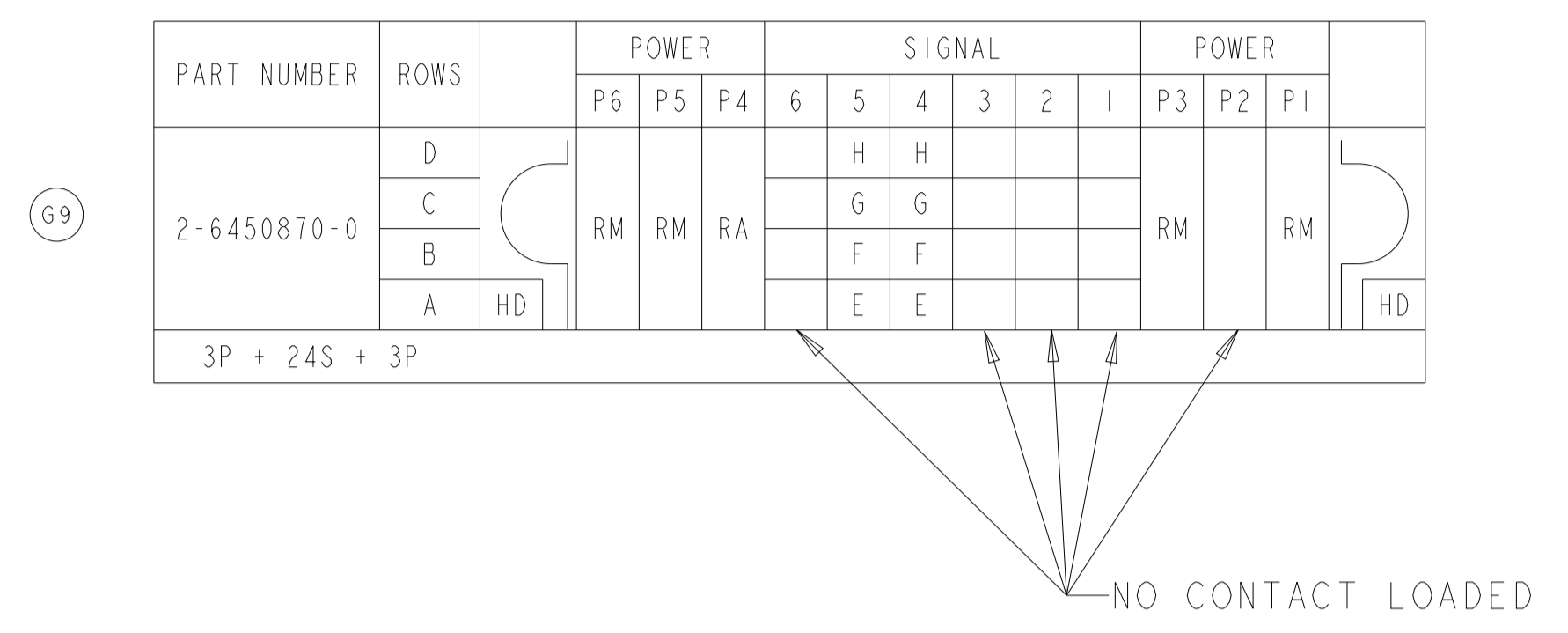
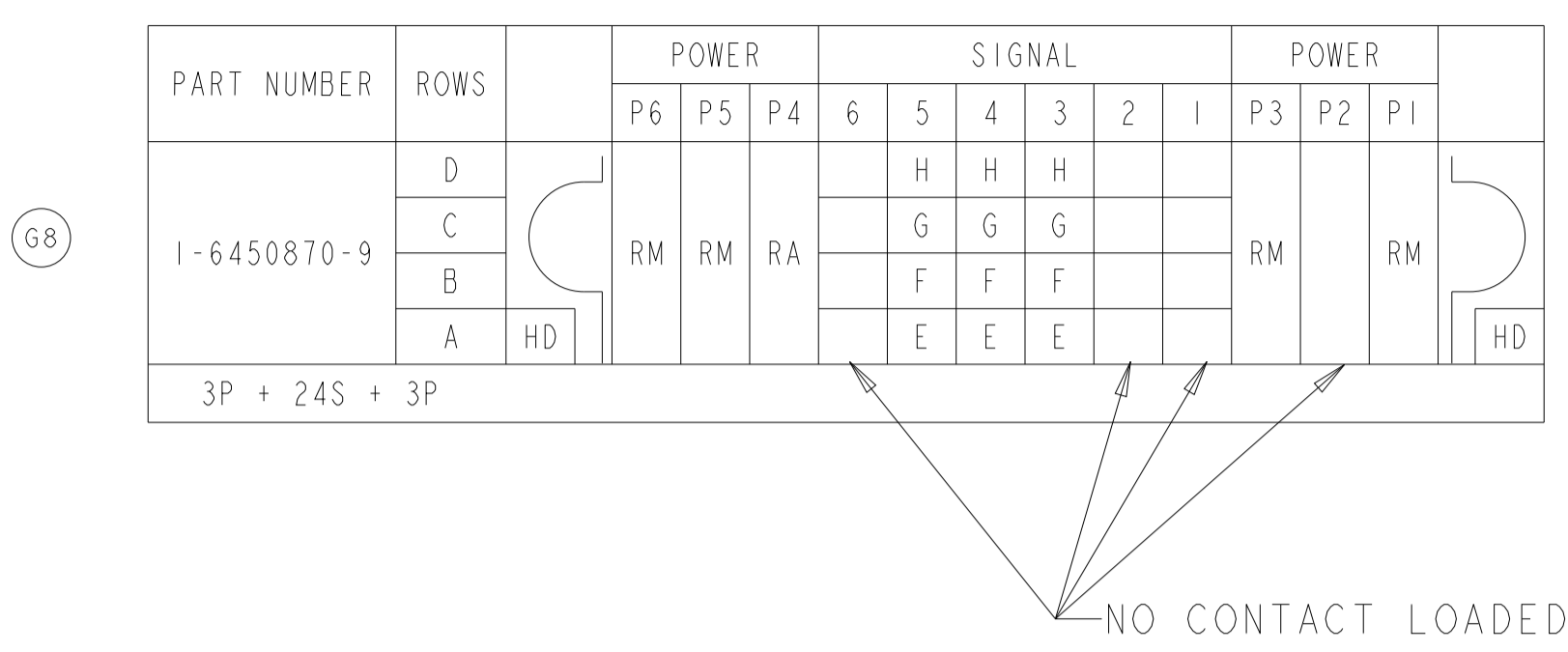
PART NUMBER	ROWS	POWER																SIGNAL			POWER			
		P20	P19	P18	P17	P16	P15	P14	P13	P12	P11	P10	P9	P8	P7	P6	P5	3	2	1	P4	P3	P2	P1
I-6450870-8	D	RM	RM	RM	RM	RM	RM	RM	RM	RM	RM	RM	RM	RM	RM	RM	H	H	H	RM	RM	RM	RM	
	C																G	G	G					
	B																F	F	F					
	A																E	E	E					

4P + 12S + 16P



THIS DRAWING IS A CONTROLLED DOCUMENT.		DNW: C. ZHOU 11OCT2007	TE Connectivity
DIMENSIONS: INCHES		CHK: S. ZHAO 11OCT2007	
TOLERANCES UNLESS OTHERWISE SPECIFIED:		APVD: S. ZHAO	NAME: RIGHT ANGLE RECEPTACLE SHORT END MODULE MULTI-BEAM XLE
0 PLC ±.1 1 PLC ±.01 2 PLC ±.005 3 PLC ±.0020 4 PLC ±.0020 ANGLES ±.2°		PRODUCT SPEC: 108-2292	SIZE: A100779
MATERIAL: -		APPLICATION SPEC: 114-13251	DRAWING NO: C=6450870
FINISH: -		WEIGHT: -	RESTRICTED TO: -
Customer Drawing		SCALE: 4:1	SHEET 11 OF 20 REV: K2

LOC	DIST	REVISIONS			
P	LTN	DESCRIPTION	DATE	DMN	APVD
-	-	SEE SHEET 1	-	-	-



THIS DRAWING IS A CONTROLLED DOCUMENT.

DIMENSIONS:	TOLERANCES UNLESS OTHERWISE SPECIFIED:	DMN	C. ZHOU	11OCT2007
INCHES	0 PLC ±.1	CHK	S. ZHAO	11OCT2007
	1 PLC ±.01	APVD	S. ZHAO	-
	2 PLC ±.01	PRODUCT SPEC		
	3 PLC ±.01	108-2292		
	4 PLC ±.005	APPLICATION SPEC		
	5 PLC ±.002	114-13251		
	ANGLES ±.020	WEIGHT		
	FINISH			

STE TE Connectivity

RIGHT ANGLE RECEPTACLE SHORT END MODULE MULTI-BEAM XLE

SIZE: CAGE CODE DRAWING NO: A100779C=6450870

Customer Drawing SCALE: 4:1 SHEET 12 OF 20 REV: K2

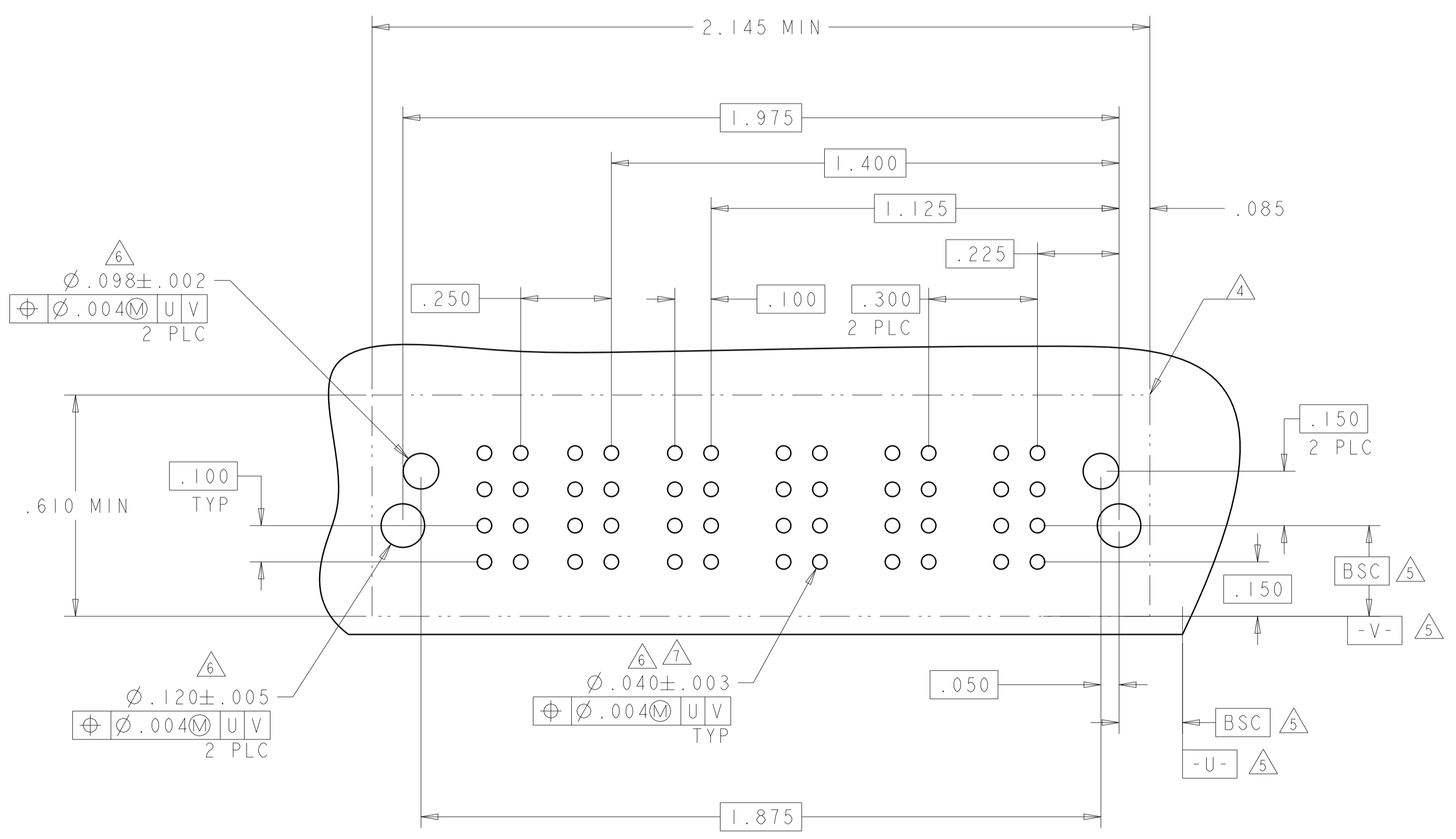
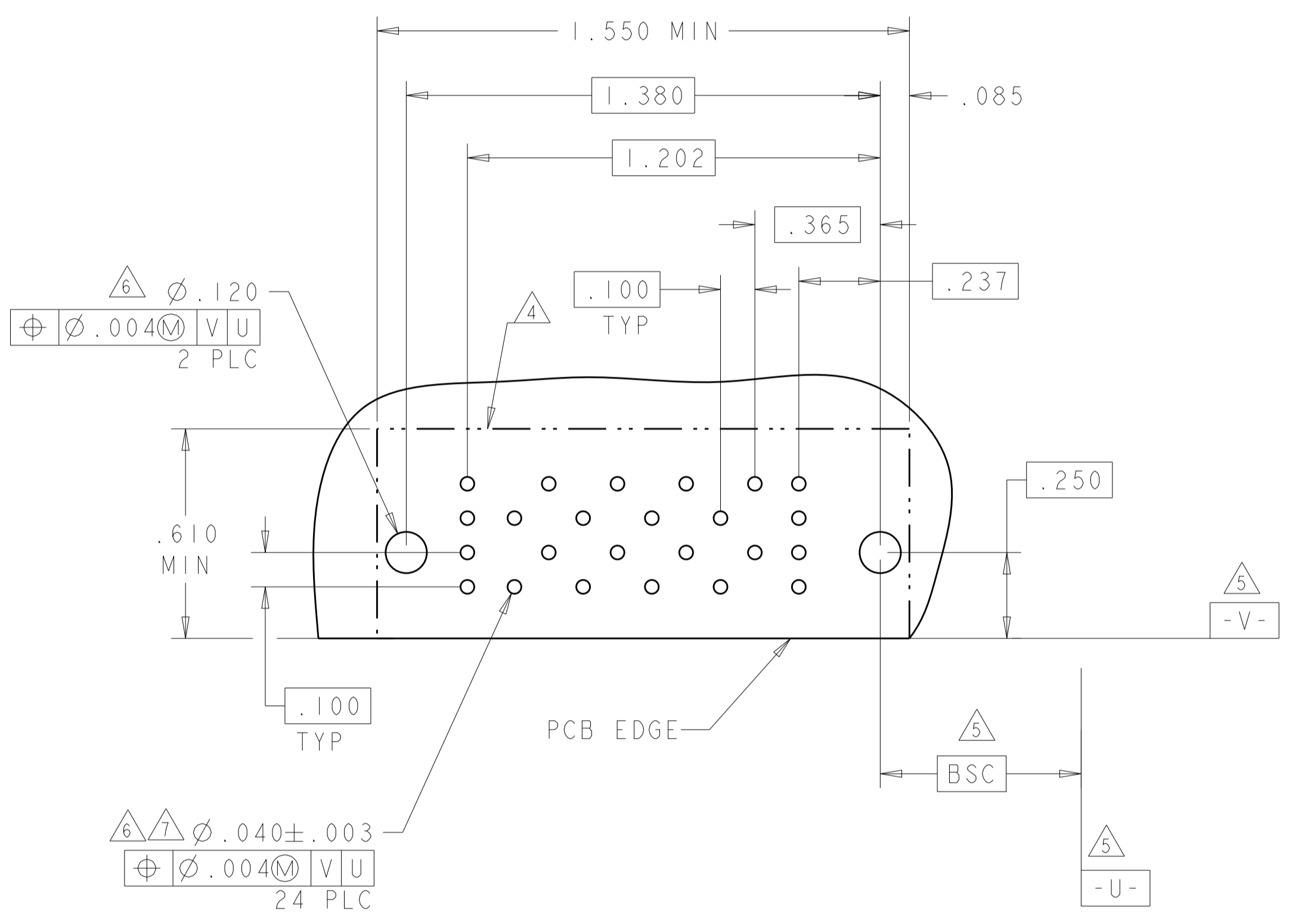
LOC	DIST	REVISIONS			
P	LTN	DESCRIPTION	DATE	OWN	APVD
ES	00	SEE SHEET 1			

PART NUMBER	ROWS	LOW POWER		SIGNAL							LOW POWER	
		LP2		8	7	6	5	4	3	2	1	LPI
2-6450870-3	D	LM		H	G	H	G	H	G	H		LM
	C		G	F	G	F	G	F	G			
	B		F	E	F	E	F	E	F			
	A		E		E		E		E			

PART NUMBER	ROWS	POWER		SIGNAL		POWER		
		P5	P4	2	1	P3	P2	P1
2-6450870-4	D	RM	RM	H	H	RA	RM	RM
	C			G	G			
	B			F	F			
	A			E	E			

H4

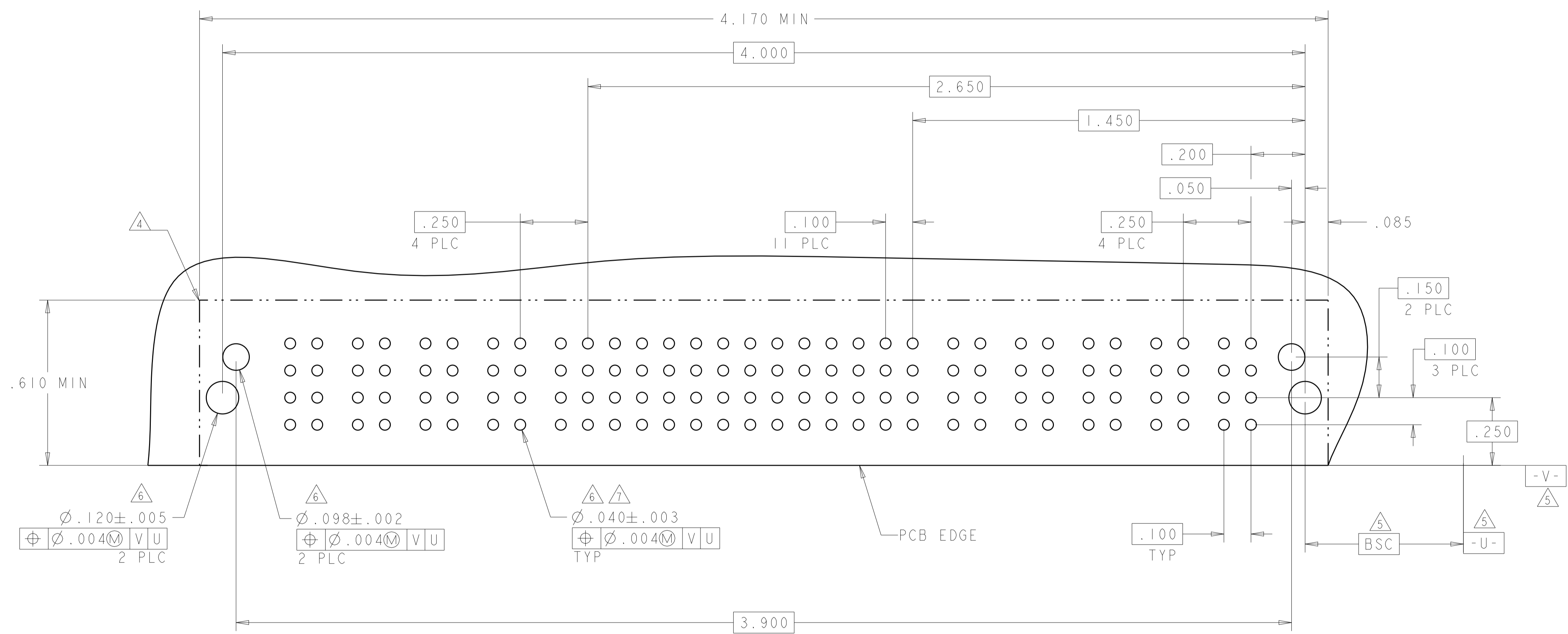
NO CONTACTS LOADED



THIS DRAWING IS A CONTROLLED DOCUMENT.		OWN: C. ZHOU 11OCT2007	 TE Connectivity
DIMENSIONS: INCHES		CHK: S. ZHAO 11OCT2007	
TOLERANCES UNLESS OTHERWISE SPECIFIED:		APVD: S. ZHAO	NAME: RIGHT ANGLE RECEPTACLE SHORT END MODULE MULTI-BEAM XLE
0 PLC ±.1 1 PLC ±.01 2 PLC ±.005 3 PLC ±.002 4 PLC ±.002 ANGLES ±.2°		PRODUCT SPEC: 108-2292	SIZE: A1
MATERIAL: -		APPLICATION SPEC: 114-13251	CAGE CODE: C=6450870
FINISH: -		WEIGHT: -	RESTRICTED TO: -
		Customer Drawing	SCALE: 4:1 SHEET 14 OF 20 REV: K2

LOC	DIST	REVISIONS			
P	LTN	DESCRIPTION	DATE	DMN	APVD
-	-	SEE SHEET 1	-	-	-

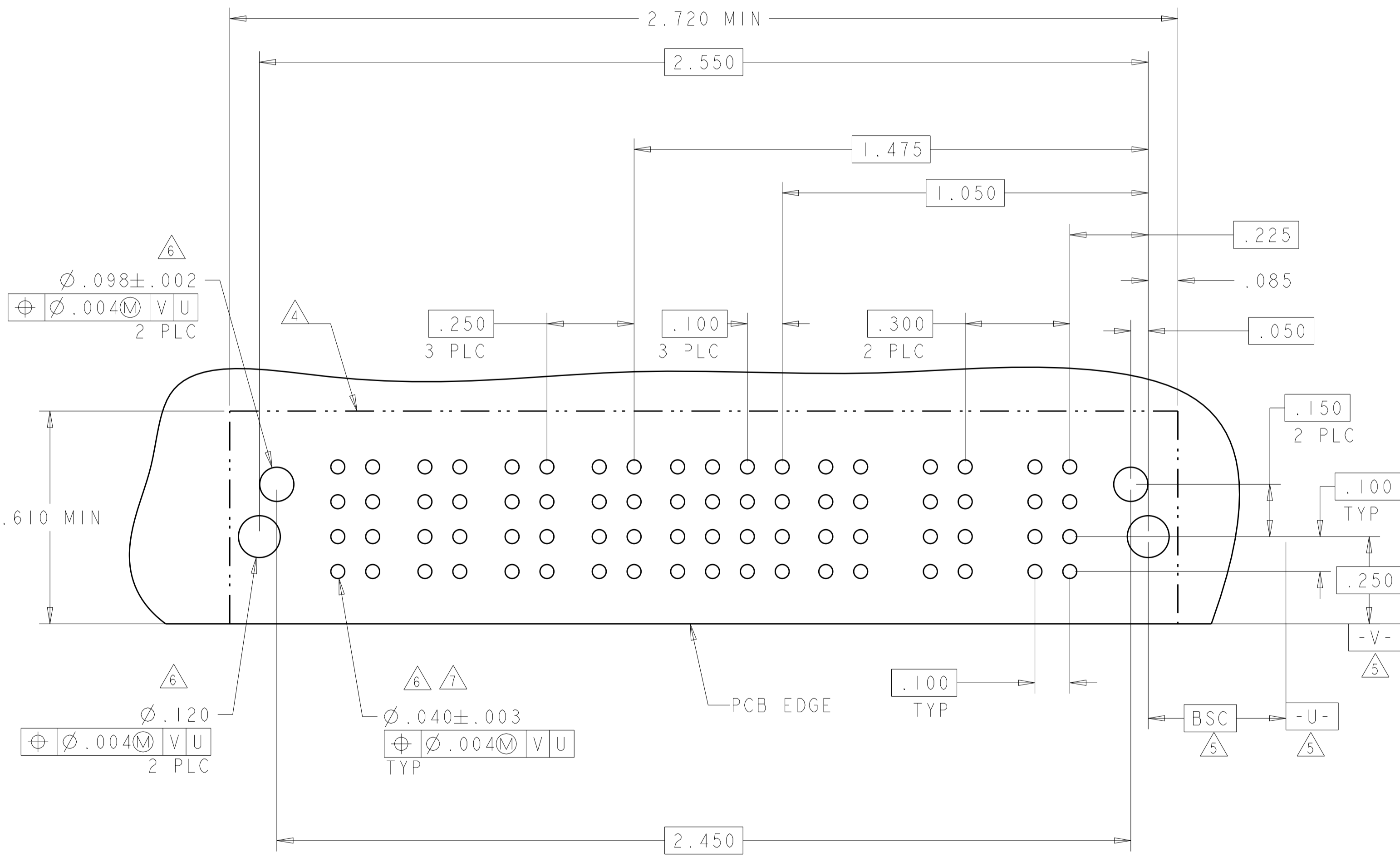
PART NUMBER	ROWS	POWER					SIGNAL										POWER										
		P10	P9	P8	P7	P6	12	11	10	9	8	7	6	5	4	3	2	1	P5	P4	P3	P2	P1				
2-6450870-5	D C B A	RM	RM	RM	RM	RM	H	H	H	H	H	H	H	H	H	H	H	H	H	RM	RM	RM	RM	RM	RM		
							G	G	G	G	G	G	G	G	G	G	G	G	G							G	
							F	F	F	F	F	F	F	F	F	F	F	F	F							F	F
							E	E	E	E	E	E	E	E	E	E	E	E	E							E	E
5P + 48S + 5P		HD		HD		HD		HD		HD		HD		HD		HD		HD		HD		HD					



THIS DRAWING IS A CONTROLLED DOCUMENT.		DMN: C.ZHOU 11OCT2007	 TE Connectivity
DIMENSIONS: INCHES		CHK: S.ZHAO 11OCT2007	
TOLERANCES UNLESS OTHERWISE SPECIFIED:		APVD: S.ZHAO	NAME: RIGHT ANGLE RECEPTACLE SHORT END MODULE MULTI-BEAM XLE
0 PLC ±.1 1 PLC ±.01 2 PLC ±.01 3 PLC ±.005 4 PLC ±.0020 ANGLES ±.2°		PRODUCT SPEC: 108-2292	SIZE: A100779
MATERIAL: -		APPLICATION SPEC: 114-13251	DRAWING NO: C=6450870
FINISH: -		WEIGHT: -	RESTRICTED TO: -
Customer Drawing		SCALE: 4:1	SHEET 15 OF 20 REV: K2

LOC		DIST		REVISIONS			
ES	00	P	LTN	DESCRIPTION	DATE	DMN	APVD
		-		SEE SHEET 1	-	-	-

PART NUMBER	ROWS	POWER				SIGNAL				POWER		
		P7	P6	P5	P4	4	3	2	1	P3	P2	P1
2-6450870-6	D	RM	RM	RM	RM	H	H	H	H	RM	RM	RM
	C					G	G	G	G			
	B					F	F	F	F			
	A					E	E	E	E			
		HD										HD
3ACP + 16S + 4P												

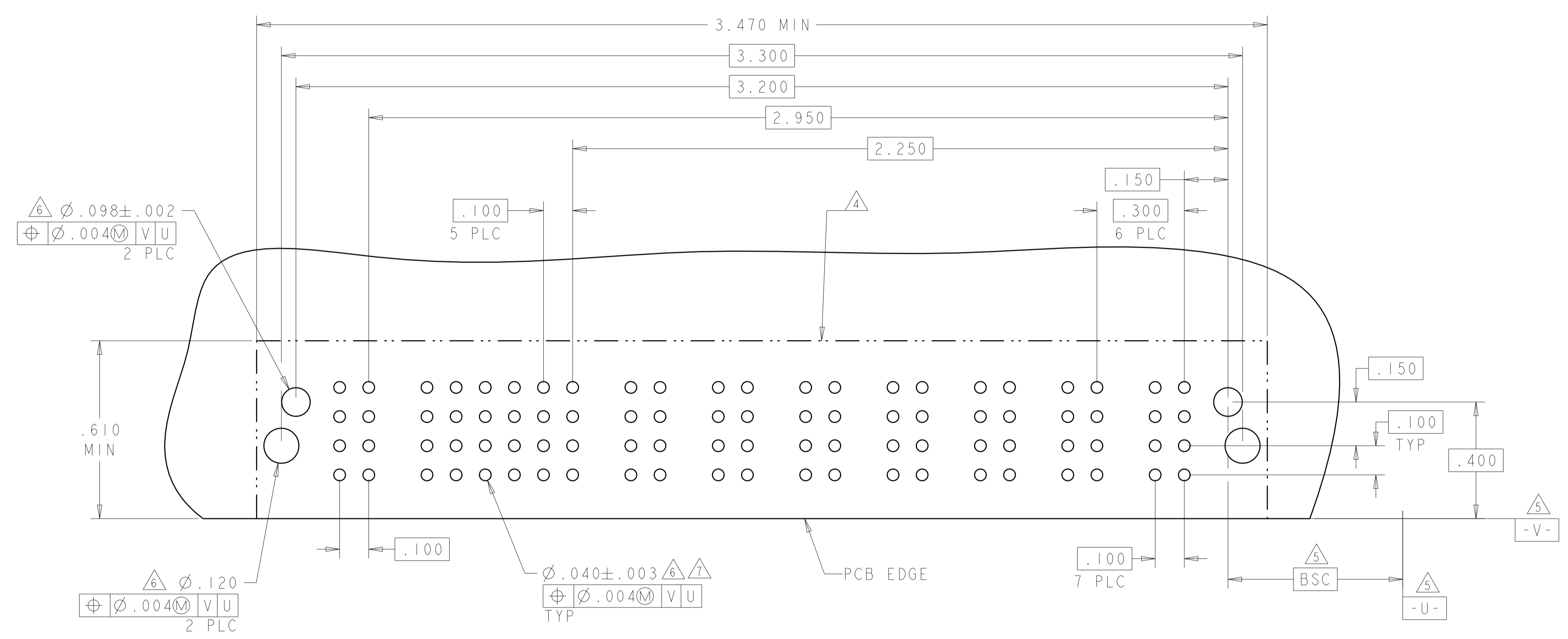


THIS DRAWING IS A CONTROLLED DOCUMENT.		DMN C. ZHOU CHK S. ZHAO	11OCT2007 11OCT2007	 TE Connectivity
DIMENSIONS: INCHES		TOLERANCES UNLESS OTHERWISE SPECIFIED:		
		0 PLC ±.1	1 PLC ±.01	PRODUCT SPEC 108-2292 APPLICATION SPEC 114-13251
MATERIAL		2 PLC ±.005	3 PLC ±.0020	SIZE A100779C=6450870 Customer Drawing
		FINISH	ANGLES	RESTRICTED TO SCALE 4:1 SHEET 16 OF 20 REV K2

LOC	DIST	REVISIONS					
		P	LTN	DESCRIPTION	DATE	DMN	APVD
ES	00	-	-	SEE SHEET 1	-	-	-

(J)

PART NUMBER	ROWS	POWER							SIGNAL							POWER						
		P8	6	5	4	3	2	1	P7	P6	P5	P4	P3	P2	P1							
2-6450870-8	D	RA	H	H	H	H	H	H														
	C		G	G	G	G	G	G	RM	RM	RM	RM	RM	RM	RM	RA						
	B		F	F	F	F	F	F														
	A		E	E	E	E	E	E														
7ACP + 24S + 1P																						

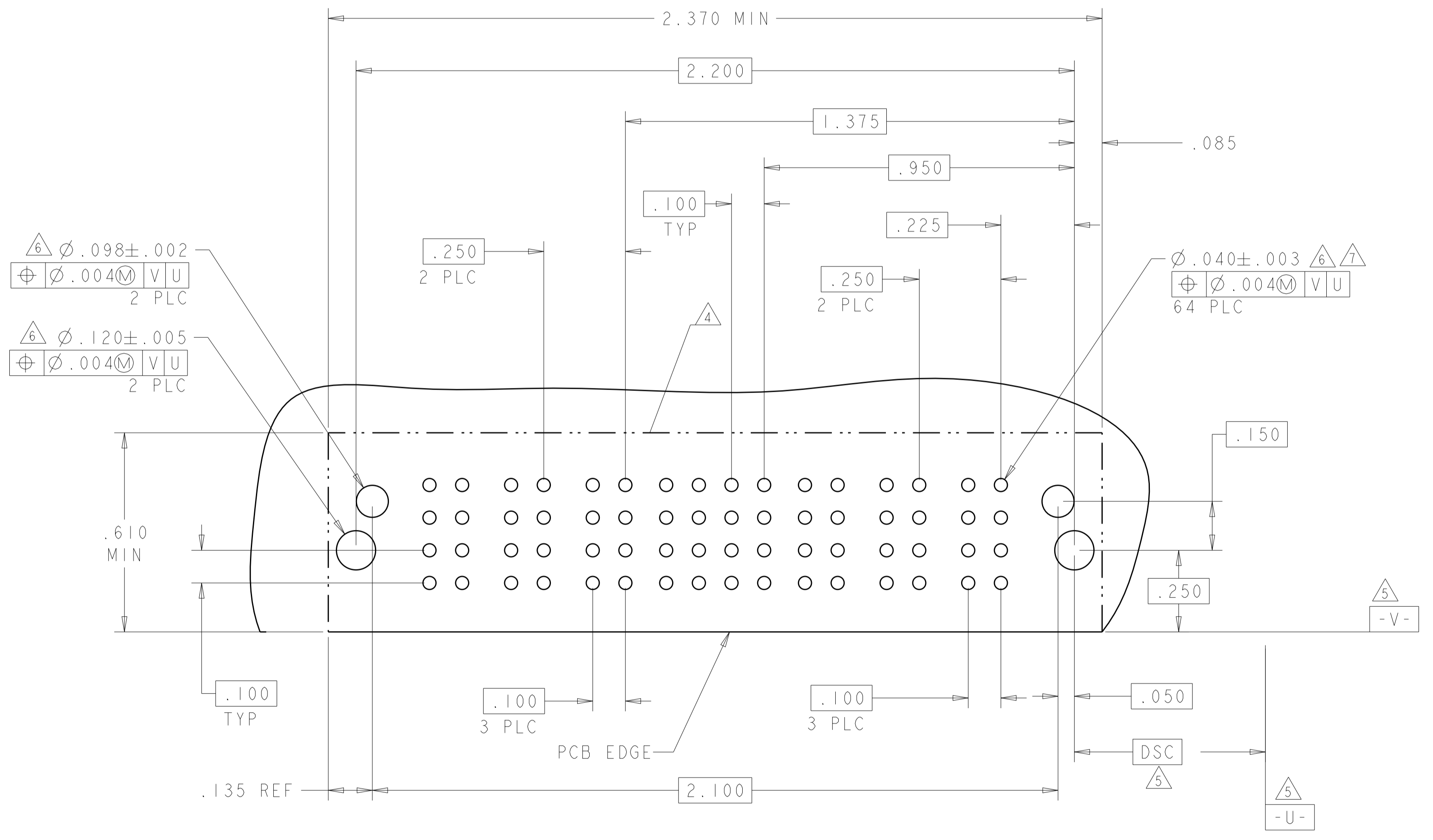
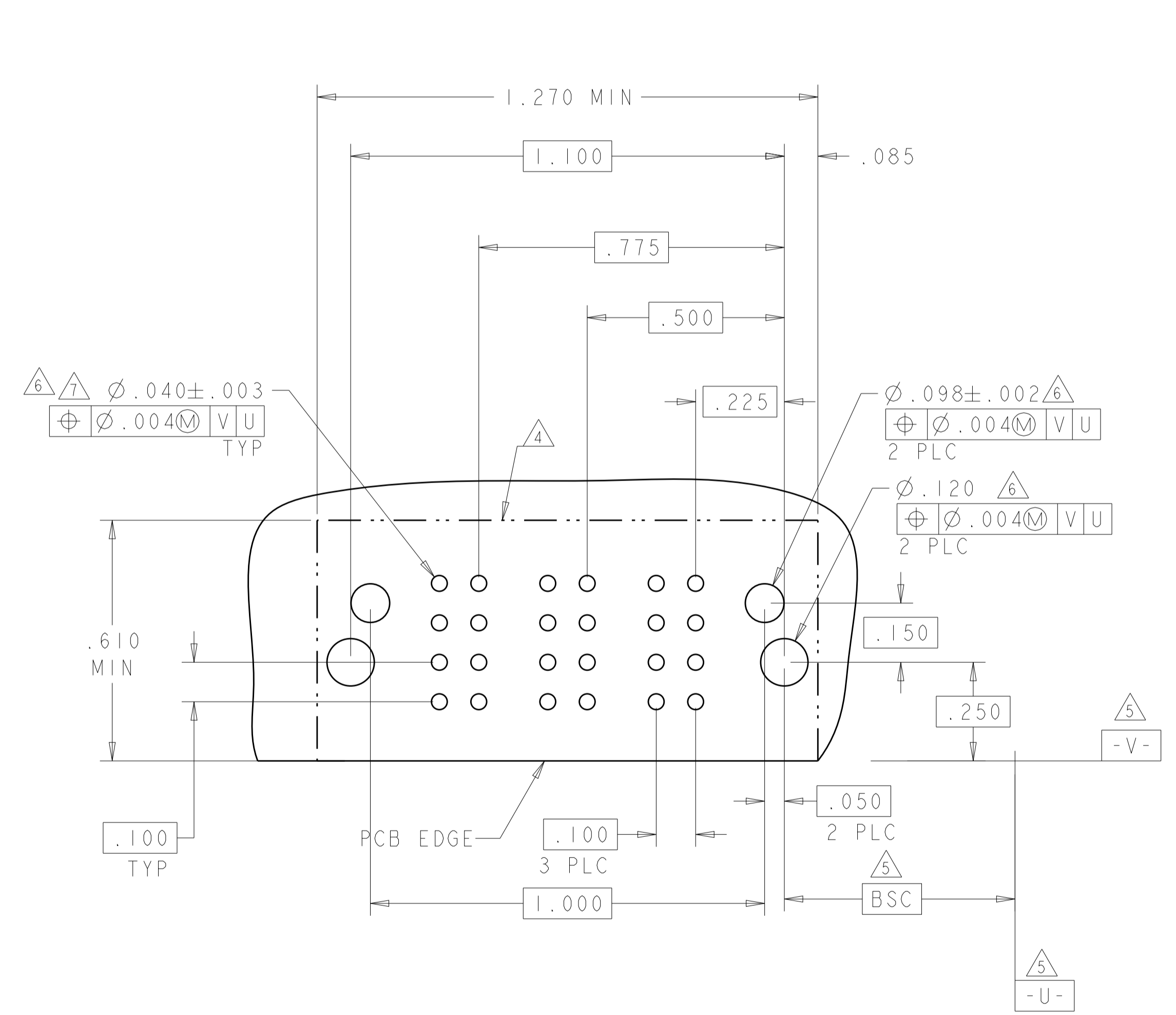


THIS DRAWING IS A CONTROLLED DOCUMENT.		DMN C. ZHOU CHK S. ZHAO	11OCT2007 11OCT2007	TE Connectivity											
DIMENSIONS: INCHES		APVD S. ZHAO	NAME												
TOLERANCES UNLESS OTHERWISE SPECIFIED:		PRODUCT SPEC		RIGHT ANGLE RECEPTACLE SHORT END MODULE MULTI-BEAM XLE											
<table border="0"> <tr><td>0 PLC</td><td>±.</td></tr> <tr><td>1 PLC</td><td>±.1</td></tr> <tr><td>2 PLC</td><td>±.01</td></tr> <tr><td>3 PLC</td><td>±.005</td></tr> <tr><td>4 PLC</td><td>±.0020</td></tr> <tr><td>ANGLES</td><td>±2°</td></tr> </table>		0 PLC	±.		1 PLC	±.1	2 PLC	±.01	3 PLC	±.005	4 PLC	±.0020	ANGLES	±2°	APPLICATION SPEC
0 PLC	±.														
1 PLC	±.1														
2 PLC	±.01														
3 PLC	±.005														
4 PLC	±.0020														
ANGLES	±2°														
MATERIAL	FINISH	WEIGHT	RESTRICTED TO												
Customer Drawing		SCALE 4:1	SHEET 17 OF 20	REV K2											

LOC	DIST	REVISIONS			
P	LTN	DESCRIPTION	DATE	DMN	APVD
ES	00	SEE SHEET 1			

PART NUMBER	ROWS		POWER		SIGNAL		POWER		
			P2	2	1	P1			
2-6450870-9	D		RM	H	H	RM	HD		
	C			G	G				
	B			F	F				
	A			E	E				
IP + 8S + IP									

PART NUMBER	ROWS		POWER			SIGNAL				POWER			
			P6	P5	P4	4	3	2	1	P3	P2	P1	
3-6450870-0	D		RM	RM	RM	H	H	H	H	RM	RM	RM	HD
	C					G	G	G	G				
	B					F	F	F	F				
	A					E	E	E	E				
3P + 16S + 3P													



THIS DRAWING IS A CONTROLLED DOCUMENT.

DMN: C. ZHOU	11OCT2007		TE Connectivity
CHK: S. ZHAO	11OCT2007		
APVD: S. ZHAO		NAME: RIGHT ANGLE RECEPTACLE SHORT END MODULE MULTI-BEAM XLE	
DIMENSIONS: INCHES		PRODUCT SPEC: 108-2292	
TOLERANCES UNLESS OTHERWISE SPECIFIED:		APPLICATION SPEC: 114-13251	
0 PLC ±.1	1 PLC ±.01	SIZE: A100779	
2 PLC ±.01	3 PLC ±.005	CAGE CODE: C=6450870	
4 PLC ±.0020	ANGLES ±.2°	SHEET 18 OF 20	
MATERIAL: -		WEIGHT: -	
FINISH: -		SCALE: 4:1	
Customer Drawing		REV: K2	

LOC	DIST	REV	DATE	BY	APPV
ES	00				

REVISIONS			
REV	DATE	BY	APPV
-	-	-	-
-	-	-	-

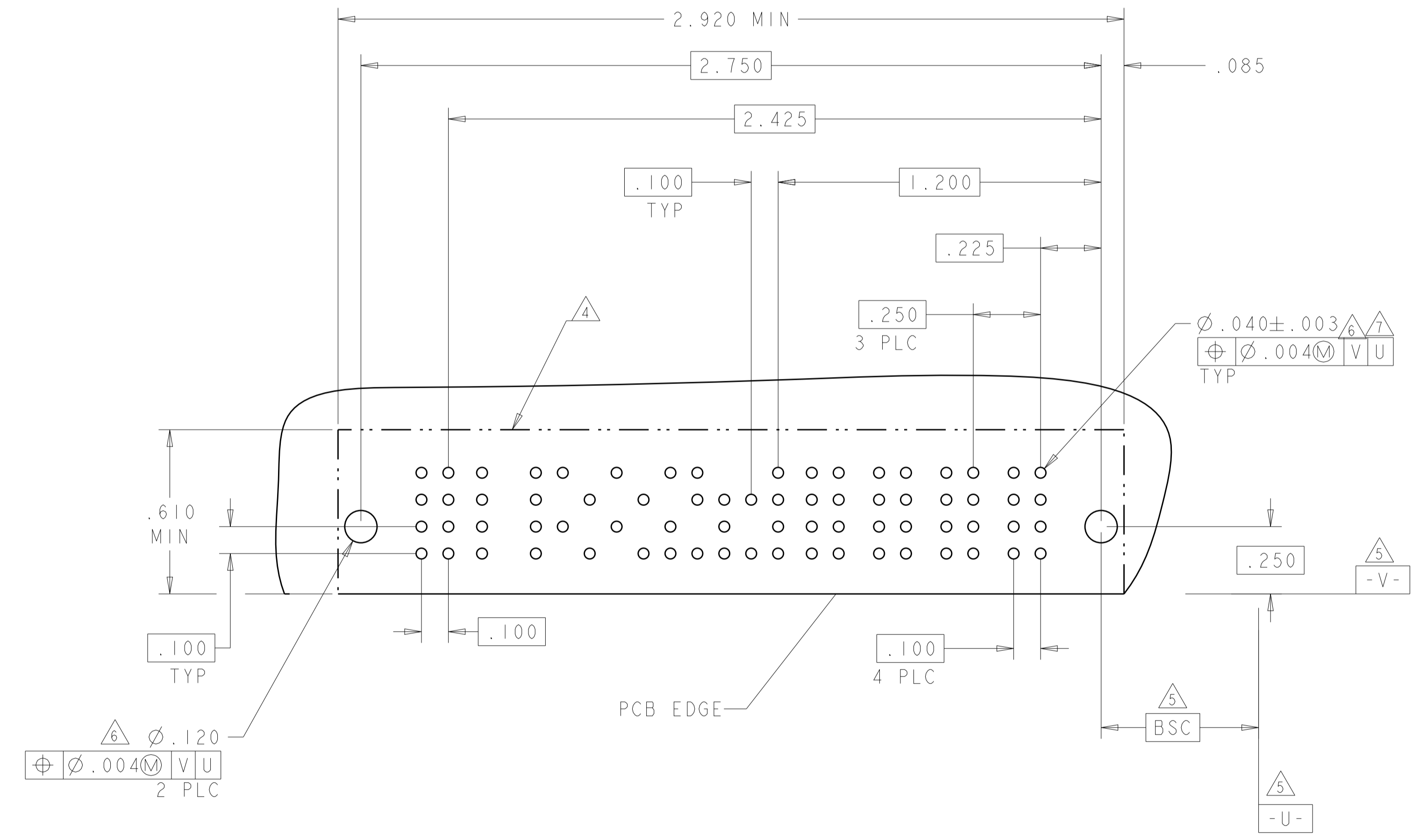
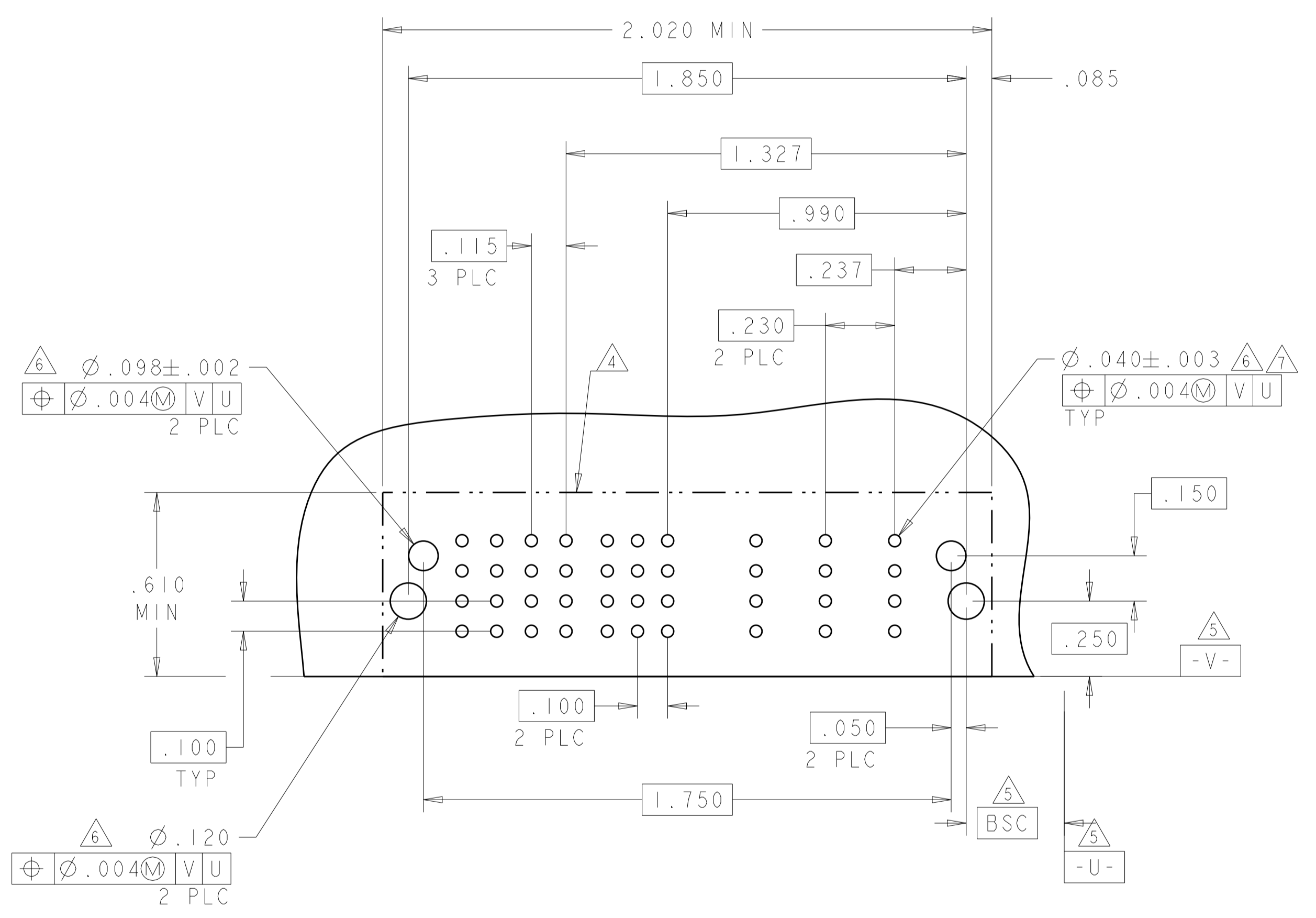
PART NUMBER	ROWS	LOW POWER				SIGNAL			LOW POWER		
		LP7	LP6	LP5	LP4	3	2	1	LP3	LP2	LP1
3-6450870-1	D					H	H	H			
	C	LM	LM	LM	LM	G	G	G	LM	LM	LM
	B					F	F	F			
	A	HD				E	E	E			HD

3LP + 12S + 4LP

PART NUMBER	ROWS	POWER		SIGNAL											POWER			
		P5	I2	I1	I0	9	8	7	6	5	4	3	2	1	P4	P3	P2	P1
3-6450870-2	D																	
	C	RM	H	H	H	H	H	H	H	H	H	H	H	H	H	H	H	
	B		G	G	G	G	G	G	G	G	G	G	G	G	G	G	G	
	A		F	F	F	F	F	F	F	F	F	F	F	F	F	F	F	

4P + 48S + 1P

BLANK SIGNAL PINS ARE UNLOADED



THIS DRAWING IS A CONTROLLED DOCUMENT.

DIMENSIONS:	TOLERANCES UNLESS OTHERWISE SPECIFIED:	OWN	11OCT2007
INCHES	0 PLC ±.1	CHK	S. ZHAO 11OCT2007
	1 PLC ±.01	APPV	S. ZHAO
	2 PLC ±.005	NAME	
	3 PLC ±.0020	PRODUCT SPEC	
	ANGLES ±.2°	APPLICATION SPEC	
MATERIAL	FINISH	SIZE	CAGE CODE DRAWING NO
		114-13251	A100779C=6450870
		WEIGHT	RESTRICTED TO
		Customer Drawing	

STE TE Connectivity

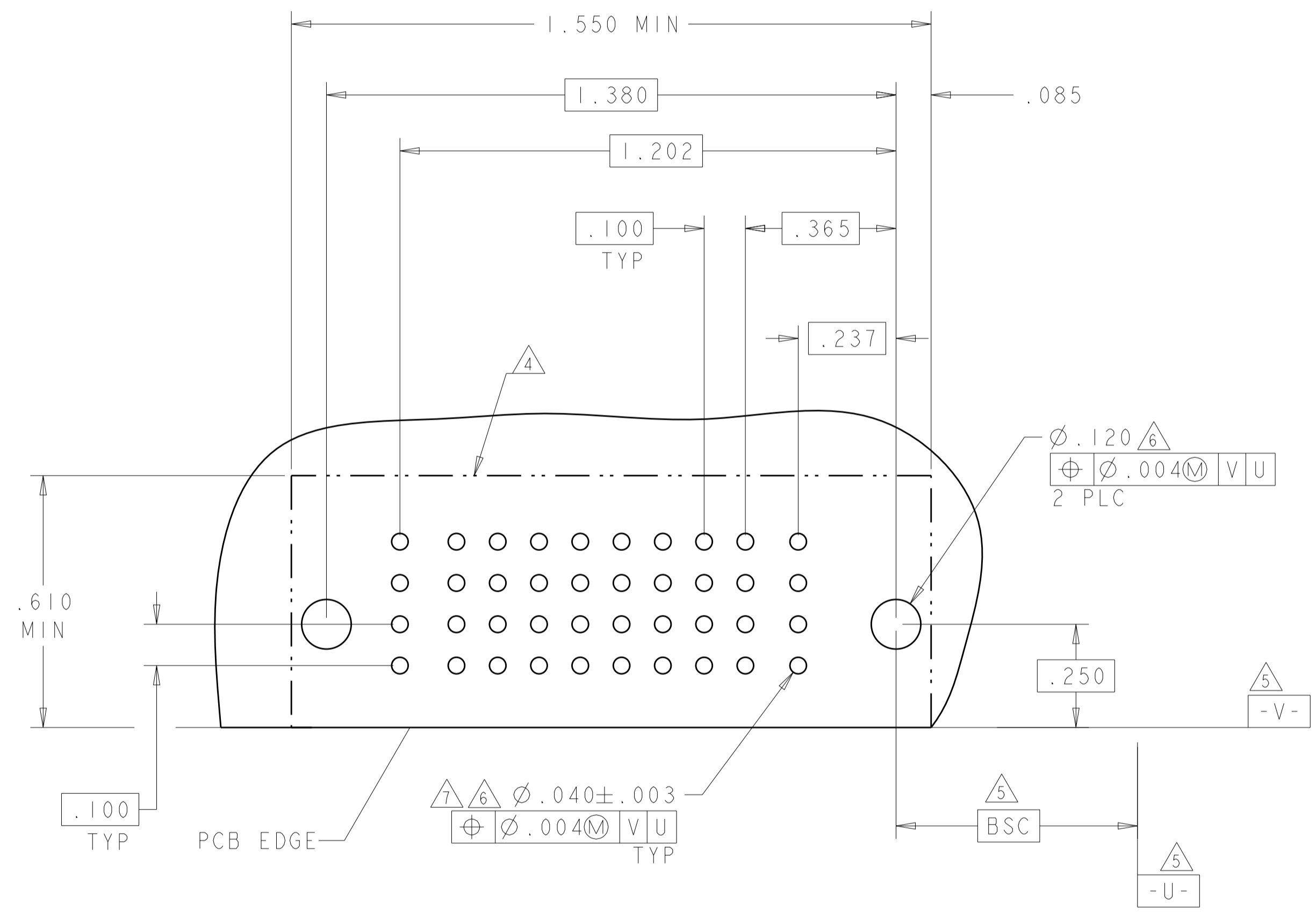
RIGHT ANGLE RECEPTACLE
 SHORT END MODULE
 MULTI-BEAM XLE

SCALE 4:1 SHEET 19 OF 20 REV K2

LOC	DIST	REVISIONS					
ES	00	P	LTH	DESCRIPTION	DATE	DWN	APVD
		-		SEE SHEET 1			

PART NUMBER	ROWS	LOW POWER		SIGNAL								LOW POWER	
		LP2		8	7	6	5	4	3	2	1	LP1	
3-6450870-4	D	LM	LM	H	H	H	H	H	H	H	H	H	LM
	C			G	G	G	G	G	G	G	G		
	B			F	F	F	F	F	F	F	F		
	A			E	E	E	E	E	E	E	E		

1LP + 32S + 1LP



THIS DRAWING IS A CONTROLLED DOCUMENT.		DWN C. ZHOU CHK S. ZHAO	11OCT2007 11OCT2007	 TE Connectivity
DIMENSIONS: INCHES	TOLERANCES UNLESS OTHERWISE SPECIFIED:	APVD S. ZHAO	NAME	
	0 PLC ±.1	PRODUCT SPEC	RIGHT ANGLE RECEPTACLE	
	1 PLC ±.1	108-2292	SHORT END MODULE	
	2 PLC ±.01	APPLICATION SPEC	MULTI-BEAM XLE	
	3 PLC ±.005	SIZE	CAGE CODE DRAWING NO	
	4 PLC ±.0020	114-13251	A100779C=6450870	
	ANGLES ±.2°	WEIGHT	RESTRICTED TO	
MATERIAL	FINISH	Customer Drawing	SCALE 4:1 SHEET 20 OF 20 REV K2	



Компания «ЭлектроПласт» предлагает заключение долгосрочных отношений при поставках импортных электронных компонентов на взаимовыгодных условиях!

Наши преимущества:

- Оперативные поставки широкого спектра электронных компонентов отечественного и импортного производства напрямую от производителей и с крупнейших мировых складов;
- Поставка более 17-ти миллионов наименований электронных компонентов;
- Поставка сложных, дефицитных, либо снятых с производства позиций;
- Оперативные сроки поставки под заказ (от 5 рабочих дней);
- Экспресс доставка в любую точку России;
- Техническая поддержка проекта, помощь в подборе аналогов, поставка прототипов;
- Система менеджмента качества сертифицирована по Международному стандарту ISO 9001;
- Лицензия ФСБ на осуществление работ с использованием сведений, составляющих государственную тайну;
- Поставка специализированных компонентов (Xilinx, Altera, Analog Devices, Intersil, Interpoint, Microsemi, Aeroflex, Peregrine, Syfer, Eurofarad, Texas Instrument, Miteq, Cobham, E2V, MA-COM, Hittite, Mini-Circuits, General Dynamics и др.);

Помимо этого, одним из направлений компании «ЭлектроПласт» является направление «Источники питания». Мы предлагаем Вам помощь Конструкторского отдела:

- Подбор оптимального решения, техническое обоснование при выборе компонента;
- Подбор аналогов;
- Консультации по применению компонента;
- Поставка образцов и прототипов;
- Техническая поддержка проекта;
- Защита от снятия компонента с производства.



Как с нами связаться

Телефон: 8 (812) 309 58 32 (многоканальный)

Факс: 8 (812) 320-02-42

Электронная почта: org@eplast1.ru

Адрес: 198099, г. Санкт-Петербург, ул. Калинина, дом 2, корпус 4, литера А.