

I/O module - AXL F DI16/1 1H - 2688310

Please be informed that the data shown in this PDF Document is generated from our Online Catalog. Please find the complete data in the user's documentation. Our General Terms of Use for Downloads are valid (<http://phoenixcontact.com/download>)



Axioline F digital input module, 16 inputs, 24 V DC, 1-wire connection method (including bus base module and connectors)

Product description

The module is designed for use within an Axioline F station.

It is used to acquire digital signals.

The filter times of the inputs can be adjusted to increase noise immunity.

Filter times of 100 μ s enable the user to implement a counter function with a maximum input frequency of 5 kHz in the application.

Product Features

- 16 digital inputs according to EN 61131-2 type 1 and type 3
- 24 V DC, 2.4 mA
- Connection of sensors in single-wire technology
- Minimum update time of < 100 μ s
- Filter times can be adjusted in three increments: < 100 μ s, 1000 μ s or 3000 μ s
- Maximum input frequency: 5 kHz
- Device rating plate stored
- Diagnostic and status indicators



Key commercial data

| | |
|--------------------------------------|-----------|
| Packing unit | 1 pc |
| Weight per Piece (excluding packing) | 180.0 GRM |
| Custom tariff number | 85389091 |
| Country of origin | Germany |

Technical data

Dimensions

| | |
|--------|----------|
| Width | 35 mm |
| Height | 126.1 mm |
| Depth | 54 mm |

I/O module - AXL F DI16/1 1H - 2688310

Technical data

Dimensions

| | |
|--------------------|---|
| Note on dimensions | The depth is valid when a TH 35-7.5 DIN rail is used (according to EN 60715). |
|--------------------|---|

Ambient conditions

| | |
|--|---|
| Ambient temperature (operation) | -25 °C ... 60 °C |
| Ambient temperature (storage/transport) | -40 °C ... 85 °C |
| Permissible humidity (operation) | 5 % ... 95 % (non-condensing) |
| Permissible humidity (storage/transport) | 5 % ... 95 % (non-condensing) |
| Air pressure (operation) | 70 kPa ... 106 kPa (up to 3000 m above sea level) |
| Air pressure (storage/transport) | 70 kPa ... 106 kPa (up to 3000 m above sea level) |
| Degree of protection | IP20 |

Connection data

| | |
|--|----------------------|
| Designation | Axioline F connector |
| Connection method | Push-in technology |
| Conductor cross section solid min. | 0.2 mm ² |
| Conductor cross section solid max. | 1.5 mm ² |
| Conductor cross section stranded min. | 0.2 mm ² |
| Conductor cross section stranded max. | 1.5 mm ² |
| Conductor cross section AWG/kcmil min. | 24 |
| Conductor cross section AWG/kcmil max | 16 |
| Stripping length | 8 mm |

General

| | |
|---------------------------------|---|
| Weight | 133 g |
| Note on weight specifications | with connectors and bus base module |
| Mounting type | DIN rail |
| Protection class | III, IEC 61140, EN 61140, VDE 0140-1 |
| Test section | 5 V communications power (logic), 24 V supply (I/O) 500 V AC 50 Hz 1 min |
| | 5 V supply (logic)/functional earth ground 500 V AC 50 Hz 1 min |
| | 24 V supply (I/O) / functional earth ground 500 V AC 50 Hz 1 min |
| Conformance with EMC directives | Noise immunity test in accordance with EN 61000-6-2 Electrostatic discharge (ESD) EN 61000-4-2/IEC 61000-4-2 Criterion B; 6 kV contact discharge, 8 kV air discharge |
| | Noise immunity test in accordance with EN 61000-6-2 Electromagnetic fields EN 61000-4-3/IEC 61000-4-3 Criterion A; Field intensity: 10 V/m |
| | Noise immunity test in accordance with EN 61000-6-2 Fast transients (burst) EN 61000-4-4/IEC 61000-4-4 Criterion B, 2 kV |
| | Noise immunity test in accordance with EN 61000-6-2 Transient surge voltage (surge) EN 61000-4-5/IEC 61000-4-5 Criterion B; DC supply lines: ±0.5 kV/±0.5 kV (symmetrical/asymmetrical) |

I/O module - AXL F DI16/1 1H - 2688310

Technical data

General

| | |
|----------------------|--|
| | Noise immunity test in accordance with EN 61000-6-2 Conducted interference EN 61000-4-6/IEC 61000-4-6 Criterion A; Test voltage 10 V |
| | Noise emission test according to EN 61000-6-3 Radio interference properties EN 55022 Class B |
| Mechanical tests | Vibration resistance in acc. with EN 60068-2-6/IEC 60068-2-6 5g |
| | Shock in acc. with EN 60068-2-27/IEC 60068-2-27 30g |
| | Continuous shock according to EN 60068-2-27/IEC 60068-2-27 10g |
| Diagnostics messages | I/O supply failure Yes |

Interfaces

| | |
|--------------------|---------------------|
| Designation | Axoline F local bus |
| Connection method | Bus base module |
| Transmission speed | 100 MBit/s |

Axoline potentials

| | |
|---------------------------------------|------------------------------|
| Communications power U_{Bus} | 5 V DC (via bus base module) |
| Current consumption from U_{Bus} | max. 120 mA |
| Supply of digital input modules U_i | 24 V DC |
| Current consumption from U_i | 20 mA |

Digital inputs

| | |
|-----------------------------------|---|
| Input name | Digital inputs |
| Description of the input | EN 61131-2 types 1 and 3 |
| Connection method | Push-in technology |
| | 1-wire |
| Number of inputs | 16 |
| Protective circuit | Polarity reversal protection of the inputs Parallel diode (30 V, 5 s) |
| Input filter time | 3000 μ s (default) |
| Input voltage range "0" signal | -3 V DC ... 5 V DC |
| Input voltage range "1" signal | 11 V DC ... 30 V DC |
| Nominal input current at U_{IN} | 2.4 mA |

Classifications

eCl@ss

| | |
|------------|----------|
| eCl@ss 4.0 | 27240404 |
| eCl@ss 4.1 | 27240404 |
| eCl@ss 5.0 | 27242204 |
| eCl@ss 5.1 | 27242604 |

I/O module - AXL F DI16/1 1H - 2688310

Classifications

eCl@ss

| | |
|------------|----------|
| eCl@ss 6.0 | 27242604 |
| eCl@ss 7.0 | 27242604 |
| eCl@ss 8.0 | 27242604 |

ETIM

| | |
|----------|----------|
| ETIM 3.0 | EC001599 |
| ETIM 4.0 | EC001599 |
| ETIM 5.0 | EC001599 |

UNSPSC

| | |
|---------------|----------|
| UNSPSC 6.01 | 43172015 |
| UNSPSC 7.0901 | 43201404 |
| UNSPSC 11 | 39121311 |
| UNSPSC 12.01 | 39121311 |
| UNSPSC 13.2 | 39121311 |

Approvals

Approvals

Approvals

UL Listed / cUL Listed / cULus Listed

Ex Approvals

Approvals submitted

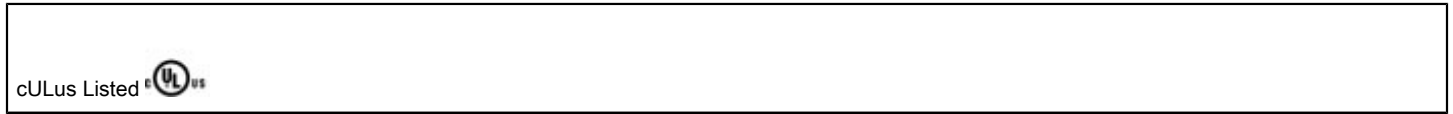
Approval details

| |
|-----------|
| UL Listed |
|-----------|

| |
|------------|
| cUL Listed |
|------------|

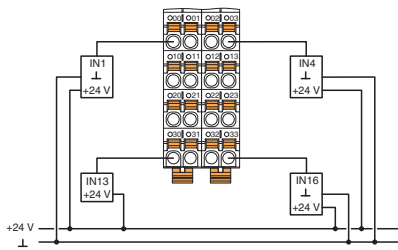
I/O module - AXL F DI16/1 1H - 2688310

Approvals

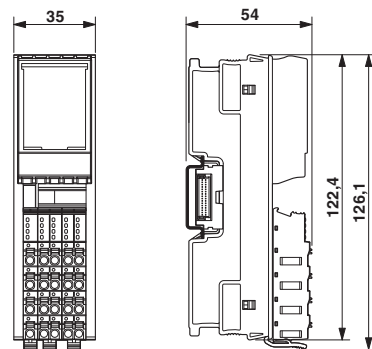


Drawings

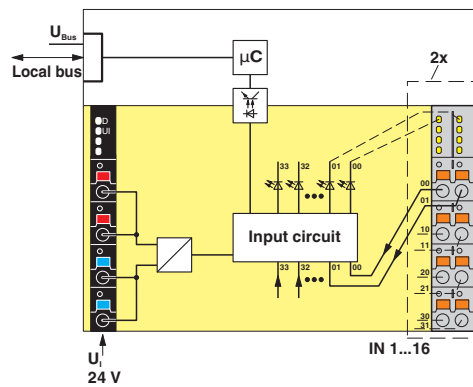
Connection diagram



Dimensioned drawing



Block diagram



Internal wiring of the terminal points



Компания «ЭлектроПласт» предлагает заключение долгосрочных отношений при поставках импортных электронных компонентов на взаимовыгодных условиях!

Наши преимущества:

- Оперативные поставки широкого спектра электронных компонентов отечественного и импортного производства напрямую от производителей и с крупнейших мировых складов;
- Поставка более 17-ти миллионов наименований электронных компонентов;
- Поставка сложных, дефицитных, либо снятых с производства позиций;
- Оперативные сроки поставки под заказ (от 5 рабочих дней);
- Экспресс доставка в любую точку России;
- Техническая поддержка проекта, помощь в подборе аналогов, поставка прототипов;
- Система менеджмента качества сертифицирована по Международному стандарту ISO 9001;
- Лицензия ФСБ на осуществление работ с использованием сведений, составляющих государственную тайну;
- Поставка специализированных компонентов (Xilinx, Altera, Analog Devices, Intersil, Interpoint, Microsemi, Aeroflex, Peregrine, Syfer, Eurofarad, Texas Instrument, Miteq, Cobham, E2V, MA-COM, Hittite, Mini-Circuits, General Dynamics и др.);

Помимо этого, одним из направлений компании «ЭлектроПласт» является направление «Источники питания». Мы предлагаем Вам помощь Конструкторского отдела:

- Подбор оптимального решения, техническое обоснование при выборе компонента;
- Подбор аналогов;
- Консультации по применению компонента;
- Поставка образцов и прототипов;
- Техническая поддержка проекта;
- Защита от снятия компонента с производства.



Как с нами связаться

Телефон: 8 (812) 309 58 32 (многоканальный)

Факс: 8 (812) 320-02-42

Электронная почта: org@eplast1.ru

Адрес: 198099, г. Санкт-Петербург, ул. Калинина, дом 2, корпус 4, литера А.