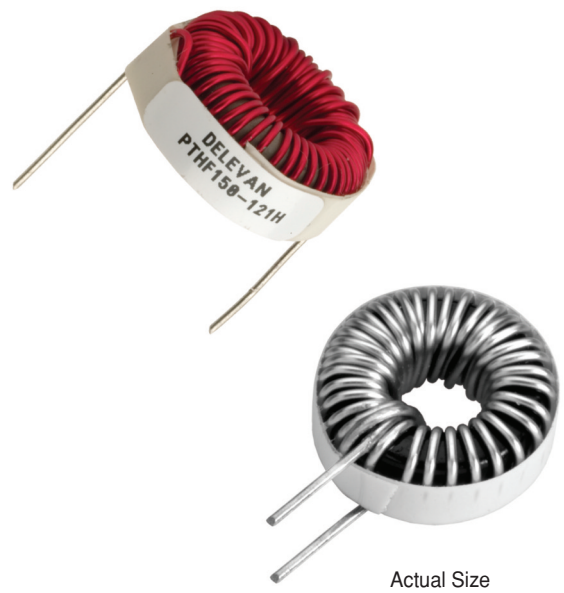


# SERIES

**PTHFxxxxR**  
**PTKMxxxxR**  
**PTHF**  
**PTKM**



## Toroidal Power Chokes



Actual Size

**Horizontal or Vertical Mounting**

**Excellent electromagnetic shielding**

**Applications** Use Series PTHF for high DC saturation applications; use Series PTKM for low AC core loss applications.

**DC Resistance** at 25°C

**Rated Idc** based upon 40°C maximum rise from 90°C ambient with 0 Arms

**Self Leads** Solder coated along entire length

**Mounting** Toroids can be provided in a vertical or horizontal mount style. Suffix Part Number with "H" for horizontal mount.

**dl** Incremental Current is the value indicated in the table that will cause an approximate percentage drop in inductance

**Marking** DELEVAN and part number.

Example: PTHF50R-121  
 DELEVAN PTHF50R-121

**Physical Parameters on Next Page**

\*Complete part # must include series # PLUS the dash #  
 For surface finish information, refer to [www.delevanfinishes.com](http://www.delevanfinishes.com)

| PART NUMBER*                            | RATED IDC (AMPS) | INDUCTANCE (μH) @ 1 kHz ±10% | ΔL 10% | dl ADC | ΔL 20% | DC RESISTANCE MAXIMUM (OHMS) | SRF MINIMUM (MHz) |
|---|------------------|------------------------------|--------|--------|--------|------------------------------|-------------------|
| <b>SERIES PTHF HIGH SATURATION CORE</b> |                  |                              |        |        |        |                              |                   |
| PTHF10-50                               | 10               | 7.36                         | 6.0    | 8.7    | 0.010  | 35.0                         |                   |
| PTHF25-50                               | 25               | 5.20                         | 3.6    | 5.3    | 0.020  | 10.0                         |                   |
| PTHF50-50                               | 50               | 3.93                         | 2.0    | 3.1    | 0.035  | 7.0                          |                   |
| PTHF75-50                               | 75               | 3.47                         | 1.6    | 2.5    | 0.045  | 5.0                          |                   |
| PTHF100-50                              | 100              | 3.14                         | 1.5    | 2.2    | 0.055  | 4.0                          |                   |
| PTHF150-50                              | 150              | 2.33                         | 1.2    | 1.8    | 0.100  | 2.0                          |                   |
| PTHF200-50                              | 200              | 1.97                         | 1.0    | 1.6    | 0.140  | 1.7                          |                   |
| PTHF250-50                              | 250              | 1.84                         | 0.9    | 1.4    | 0.160  | 1.5                          |                   |
| PTHF330-50                              | 330              | 1.69                         | 0.8    | 1.2    | 0.190  | 1.0                          |                   |
| PTHF10-121                              | 10               | 8.27                         | 9.0    | 14.0   | 0.010  | 20.0                         |                   |
| PTHF25-121                              | 25               | 6.34                         | 7.0    | 10.5   | 0.017  | 8.0                          |                   |
| PTHF50-121                              | 50               | 4.77                         | 3.9    | 6.0    | 0.030  | 4.0                          |                   |
| PTHF75-121                              | 75               | 3.90                         | 3.9    | 5.8    | 0.045  | 3.0                          |                   |
| PTHF100-121                             | 100              | 3.24                         | 3.4    | 4.7    | 0.065  | 2.0                          |                   |
| PTHF150-121                             | 150              | 2.68                         | 3.3    | 4.8    | 0.095  | 1.5                          |                   |
| PTHF250-121                             | 250              | 2.07                         | 2.2    | 3.2    | 0.160  | 1.0                          |                   |
| PTHF10-59                               | 10               | 14.50                        | 15.0   | 20.0   | 0.008  | 20.0                         |                   |
| PTHF25-59                               | 25               | 9.80                         | 11.0   | 16.0   | 0.011  | 8.0                          |                   |
| PTHF50-59                               | 50               | 6.90                         | 8.3    | 12.0   | 0.022  | 4.0                          |                   |
| PTHF75-59                               | 75               | 5.90                         | 6.7    | 9.1    | 0.030  | 3.0                          |                   |
| PTHF100-59                              | 100              | 4.90                         | 6.5    | 8.2    | 0.044  | 2.0                          |                   |
| PTHF150-59                              | 150              | 4.50                         | 4.2    | 6.0    | 0.052  | 1.0                          |                   |
| PTHF250-59                              | 250              | 3.50                         | 4.0    | 5.6    | 0.088  | 1.0                          |                   |
| PTHF500-59                              | 500              | 2.60                         | 2.7    | 3.8    | 0.160  | 0.8                          |                   |
| PTHF750-59                              | 750              | 2.10                         | 1.8    | 2.7    | 0.240  | 0.6                          |                   |
| PTHF25-894                              | 25               | 12.80                        | 13.5   | 20.0   | 0.008  | 8.0                          |                   |
| PTHF50-894                              | 50               | 9.90                         | 10.8   | 15.2   | 0.016  | 4.0                          |                   |
| PTHF75-894                              | 75               | 8.00                         | 8.0    | 12.0   | 0.023  | 3.0                          |                   |
| PTHF100-894                             | 100              | 8.00                         | 7.1    | 10.6   | 0.023  | 2.0                          |                   |
| PTHF150-894                             | 150              | 6.50                         | 6.0    | 9.0    | 0.035  | 1.0                          |                   |
| PTHF250-894                             | 250              | 5.00                         | 4.6    | 6.8    | 0.060  | 1.0                          |                   |
| PTHF500-894                             | 500              | 3.40                         | 3.1    | 4.6    | 0.131  | 0.8                          |                   |
| PTHF750-894                             | 750              | 3.00                         | 2.7    | 4.0    | 0.160  | 0.6                          |                   |
| PTHF1000-894                            | 1000             | 2.40                         | 2.3    | 3.5    | 0.235  | 0.4                          |                   |
| <b>SERIES PTKM FERROUS ALLOY CORE</b>   |                  |                              |        |        |        |                              |                   |
| PTKM10-50                               | 10               | 7.36                         | 1.70   | 3.30   | 0.010  | 35.0                         |                   |
| PTKM25-50                               | 25               | 5.20                         | 1.00   | 1.90   | 0.020  | 10.0                         |                   |
| PTKM50-50                               | 50               | 3.93                         | 0.70   | 1.30   | 0.035  | 7.0                          |                   |
| PTKM75-50                               | 75               | 3.47                         | 0.60   | 1.10   | 0.045  | 5.0                          |                   |
| PTKM100-50                              | 100              | 3.14                         | 0.50   | 0.96   | 0.055  | 4.0                          |                   |
| PTKM150-50                              | 150              | 2.33                         | 0.40   | 0.78   | 0.100  | 2.0                          |                   |
| PTKM200-50                              | 200              | 1.97                         | 0.35   | 0.65   | 0.140  | 1.7                          |                   |
| PTKM250-50                              | 250              | 1.84                         | 0.31   | 0.59   | 0.160  | 1.5                          |                   |
| PTKM330-50                              | 330              | 1.69                         | 0.27   | 0.50   | 0.190  | 1.0                          |                   |
| PTKM10-121                              | 10               | 8.27                         | 5.30   | 9.10   | 0.010  | 20.0                         |                   |
| PTKM25-121                              | 25               | 6.34                         | 3.30   | 5.70   | 0.017  | 8.0                          |                   |
| PTKM50-121                              | 50               | 4.77                         | 2.30   | 4.00   | 0.030  | 4.0                          |                   |
| PTKM75-121                              | 75               | 3.90                         | 1.80   | 3.10   | 0.045  | 3.0                          |                   |
| PTKM100-121                             | 100              | 3.24                         | 1.60   | 2.80   | 0.065  | 2.0                          |                   |
| PTKM150-121                             | 150              | 2.68                         | 1.30   | 2.20   | 0.095  | 1.5                          |                   |
| PTKM250-121                             | 250              | 2.07                         | 0.90   | 1.70   | 0.160  | 1.0                          |                   |
| PTKM10-59                               | 10               | 14.50                        | 7.60   | 13.00  | 0.008  | 20.0                         |                   |
| PTKM25-59                               | 25               | 9.80                         | 4.70   | 8.30   | 0.011  | 8.0                          |                   |
| PTKM50-59                               | 50               | 6.90                         | 3.30   | 5.70   | 0.022  | 4.0                          |                   |
| PTKM75-59                               | 75               | 5.90                         | 3.00   | 4.90   | 0.030  | 3.0                          |                   |
| PTKM100-59                              | 100              | 4.90                         | 2.40   | 4.20   | 0.044  | 2.0                          |                   |
| PTKM150-59                              | 150              | 4.50                         | 1.90   | 3.40   | 0.052  | 1.0                          |                   |
| PTKM250-59                              | 250              | 3.50                         | 1.50   | 2.70   | 0.088  | 1.0                          |                   |
| PTKM500-59                              | 500              | 2.60                         | 1.10   | 1.80   | 0.160  | 0.8                          |                   |
| PTKM750-59                              | 750              | 2.10                         | 0.90   | 1.60   | 0.240  | 0.6                          |                   |
| PTKM25-894                              | 25               | 12.80                        | 6.60   | 11.00  | 0.008  | 8.0                          |                   |
| PTKM50-894                              | 50               | 9.90                         | 4.20   | 7.40   | 0.016  | 4.0                          |                   |
| PTKM75-894                              | 75               | 8.00                         | 3.70   | 6.40   | 0.023  | 3.0                          |                   |
| PTKM100-894                             | 100              | 8.00                         | 3.50   | 6.00   | 0.023  | 2.0                          |                   |
| PTKM150-894                             | 150              | 6.50                         | 2.30   | 4.30   | 0.035  | 1.0                          |                   |
| PTKM250-894                             | 250              | 5.00                         | 1.90   | 3.20   | 0.060  | 1.0                          |                   |
| PTKM500-894                             | 500              | 3.40                         | 1.40   | 2.50   | 0.131  | 0.8                          |                   |
| PTKM750-894                             | 750              | 3.00                         | 1.20   | 2.10   | 0.160  | 0.6                          |                   |
| PTKM1000-894                            | 1000             | 2.40                         | 1.00   | 1.80   | 0.235  | 0.4                          |                   |

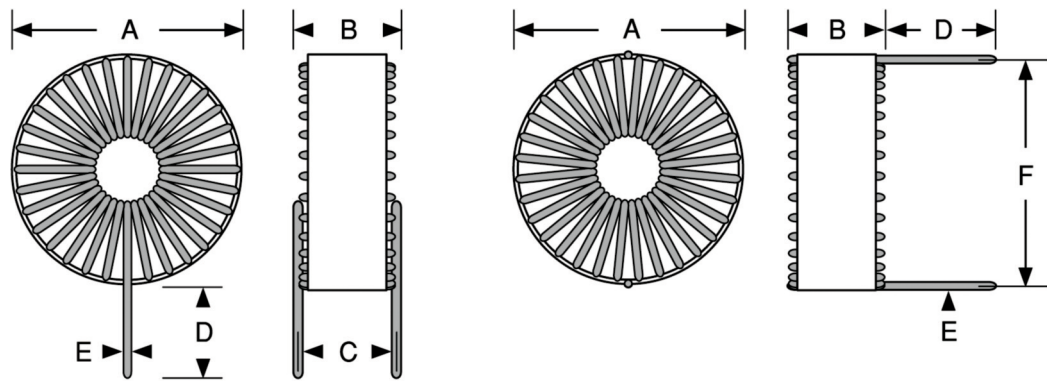
**SERIES**

**PTHFxxxxR & PTKMxxxxR**  
**PTHF & PTKM**

RoHS  
Compliant

Traditional  
First Quality

**Toroidal Power Chokes – Horizontal or Vertical Mount**



Vertical Configuration

Horizontal Configuration

**PHYSICAL PARAMETERS**

\* **Nominal Dimensions** Allow up to 10% of nominal for maximum size

\*\* **Part Number** Insert HF of KM for complete part number, and suffix "H" for horizontal mounting

*Electrical Information on Preceding Page*

| PART NUMBER  | A Nominal* |       | B Nominal* |       | C Typical |       | D Nominal* |       | E Nominal* |      | F Nominal* |       |
|--------------|------------|-------|------------|-------|-----------|-------|------------|-------|------------|------|------------|-------|
|              | Inches     | mm    | Inches     | mm    | Inches    | mm    | Inches     | mm    | Inches     | mm   | Inches     | mm    |
| PT**10-50    | 0.625      | 15.88 | 0.300      | 7.62  | 0.250     | 6.35  | 0.500      | 12.70 | 0.036      | 0.91 | 0.600      | 15.24 |
| PT**25-50    | 0.625      | 15.88 | 0.300      | 7.62  | 0.250     | 6.35  | 0.500      | 12.70 | 0.032      | 0.81 | 0.600      | 15.24 |
| PT**50-50    | 0.625      | 15.87 | 0.300      | 7.62  | 0.250     | 6.35  | 0.500      | 12.70 | 0.028      | 0.71 | 0.600      | 15.24 |
| PT**75-50    | 0.625      | 15.87 | 0.300      | 7.62  | 0.250     | 6.35  | 0.500      | 12.70 | 0.025      | 0.63 | 0.600      | 15.24 |
| PT**100-50   | 0.625      | 15.87 | 0.300      | 7.62  | 0.250     | 6.35  | 0.500      | 12.70 | 0.025      | 0.63 | 0.600      | 15.24 |
| PT**150-50   | 0.625      | 15.87 | 0.300      | 7.62  | 0.250     | 6.35  | 0.500      | 12.70 | 0.020      | 0.51 | 0.600      | 15.24 |
| PT**200-50   | 0.625      | 15.87 | 0.300      | 7.62  | 0.250     | 6.35  | 0.500      | 12.70 | 0.018      | 0.46 | 0.600      | 15.24 |
| PT**250-50   | 0.625      | 15.87 | 0.300      | 7.62  | 0.250     | 6.35  | 0.500      | 12.70 | 0.018      | 0.46 | 0.600      | 15.24 |
| PT**330-50   | 0.625      | 15.87 | 0.300      | 7.62  | 0.250     | 6.35  | 0.500      | 12.70 | 0.018      | 0.46 | 0.600      | 15.24 |
| PT**10-121   | 0.820      | 20.83 | 0.400      | 10.16 | 0.320     | 8.13  | 0.500      | 12.70 | 0.040      | 1.02 | 0.780      | 19.81 |
| PT**25-121   | 0.820      | 20.83 | 0.400      | 10.16 | 0.320     | 8.13  | 0.500      | 12.70 | 0.040      | 1.02 | 0.780      | 19.81 |
| PT**50-121   | 0.820      | 20.83 | 0.400      | 10.16 | 0.320     | 8.13  | 0.500      | 12.70 | 0.036      | 0.91 | 0.780      | 19.81 |
| PT**75-121   | 0.820      | 20.83 | 0.400      | 10.16 | 0.320     | 8.13  | 0.500      | 12.70 | 0.032      | 0.81 | 0.780      | 19.81 |
| PT**100-121  | 0.820      | 20.83 | 0.400      | 10.16 | 0.320     | 8.13  | 0.500      | 12.70 | 0.028      | 0.71 | 0.780      | 19.81 |
| PT**150-121  | 0.850      | 21.59 | 0.400      | 10.16 | 0.320     | 8.13  | 0.500      | 12.70 | 0.025      | 0.63 | 0.780      | 19.81 |
| PT**250-121  | 0.850      | 21.59 | 0.400      | 10.16 | 0.320     | 8.13  | 0.500      | 12.70 | 0.023      | 0.58 | 0.780      | 19.81 |
| PT**10-59    | 1.100      | 27.94 | 0.475      | 12.06 | 0.370     | 9.40  | 0.500      | 12.70 | 0.051      | 1.30 | 1.050      | 26.67 |
| PT**25-59    | 1.100      | 27.94 | 0.475      | 12.06 | 0.370     | 9.40  | 0.500      | 12.70 | 0.051      | 1.30 | 1.050      | 26.67 |
| PT**50-59    | 1.100      | 27.94 | 0.475      | 12.06 | 0.370     | 9.40  | 0.500      | 12.70 | 0.045      | 1.14 | 1.050      | 26.67 |
| PT**75-59    | 1.100      | 27.94 | 0.475      | 12.06 | 0.370     | 9.40  | 0.500      | 12.70 | 0.040      | 1.02 | 1.050      | 26.67 |
| PT**100-59   | 1.100      | 27.94 | 0.475      | 12.06 | 0.370     | 9.40  | 0.500      | 12.70 | 0.036      | 0.91 | 1.050      | 26.67 |
| PT**150-59   | 1.100      | 27.94 | 0.475      | 12.06 | 0.450     | 11.43 | 0.500      | 12.70 | 0.036      | 0.91 | 1.050      | 26.67 |
| PT**250-59   | 1.150      | 29.21 | 0.475      | 12.06 | 0.450     | 11.43 | 0.500      | 12.70 | 0.032      | 0.81 | 1.050      | 26.67 |
| PT**500-59   | 1.150      | 29.21 | 0.475      | 12.06 | 0.450     | 11.43 | 0.500      | 12.70 | 0.028      | 0.71 | 1.050      | 26.67 |
| PT**750-59   | 1.150      | 29.21 | 0.475      | 12.06 | 0.450     | 11.43 | 0.500      | 12.70 | 0.025      | 0.63 | 1.050      | 26.67 |
| PT**25-894   | 1.300      | 33.02 | 0.650      | 16.51 | 0.600     | 15.24 | 0.750      | 19.05 | 0.064      | 1.3  | 1.250      | 31.75 |
| PT**50-894   | 1.300      | 33.02 | 0.650      | 16.51 | 0.600     | 15.24 | 0.750      | 19.05 | 0.051      | 1.30 | 1.250      | 31.75 |
| PT**75-894   | 1.300      | 33.02 | 0.650      | 16.51 | 0.600     | 15.24 | 0.750      | 19.05 | 0.051      | 1.30 | 1.250      | 31.75 |
| PT**100-894  | 1.300      | 33.02 | 0.650      | 16.51 | 0.600     | 15.24 | 0.750      | 19.05 | 0.051      | 1.30 | 1.250      | 31.75 |
| PT**150-894  | 1.300      | 33.02 | 0.650      | 16.51 | 0.600     | 15.24 | 0.750      | 19.05 | 0.045      | 1.14 | 1.250      | 31.75 |
| PT**250-894  | 1.300      | 33.02 | 0.650      | 16.51 | 0.600     | 15.24 | 0.750      | 19.05 | 0.040      | 1.02 | 1.250      | 31.75 |
| PT**500-894  | 1.300      | 33.02 | 0.650      | 16.51 | 0.600     | 15.24 | 0.750      | 19.05 | 0.032      | 0.81 | 1.250      | 31.75 |
| PT**750-894  | 1.300      | 33.02 | 0.650      | 16.51 | 0.600     | 15.24 | 0.750      | 19.05 | 0.032      | 0.81 | 1.250      | 31.75 |
| PT**1000-894 | 1.300      | 33.02 | 0.650      | 16.51 | 0.600     | 15.24 | 0.750      | 19.05 | 0.028      | 0.71 | 1.250      | 31.75 |



Компания «ЭлектроПласт» предлагает заключение долгосрочных отношений при поставках импортных электронных компонентов на взаимовыгодных условиях!

Наши преимущества:

- Оперативные поставки широкого спектра электронных компонентов отечественного и импортного производства напрямую от производителей и с крупнейших мировых складов;
- Поставка более 17-ти миллионов наименований электронных компонентов;
- Поставка сложных, дефицитных, либо снятых с производства позиций;
- Оперативные сроки поставки под заказ (от 5 рабочих дней);
- Экспресс доставка в любую точку России;
- Техническая поддержка проекта, помощь в подборе аналогов, поставка прототипов;
- Система менеджмента качества сертифицирована по Международному стандарту ISO 9001;
- Лицензия ФСБ на осуществление работ с использованием сведений, составляющих государственную тайну;
- Поставка специализированных компонентов (Xilinx, Altera, Analog Devices, Intersil, Interpoint, Microsemi, Aeroflex, Peregrine, Syfer, Eurofarad, Texas Instrument, Miteq, Cobham, E2V, MA-COM, Hittite, Mini-Circuits, General Dynamics и др.);

Помимо этого, одним из направлений компании «ЭлектроПласт» является направление «Источники питания». Мы предлагаем Вам помощь Конструкторского отдела:

- Подбор оптимального решения, техническое обоснование при выборе компонента;
- Подбор аналогов;
- Консультации по применению компонента;
- Поставка образцов и прототипов;
- Техническая поддержка проекта;
- Защита от снятия компонента с производства.



#### Как с нами связаться

**Телефон:** 8 (812) 309 58 32 (многоканальный)

**Факс:** 8 (812) 320-02-42

**Электронная почта:** [org@eplast1.ru](mailto:org@eplast1.ru)

**Адрес:** 198099, г. Санкт-Петербург, ул. Калинина, дом 2, корпус 4, литера А.