

DESCRIPTION

Demonstration circuit DC963B is optimized for an up-converting mixer test & measurement for input frequency range of 45MHz to 190MHz, output frequency range of 850MHz to 935MHz, (12dB return loss BW). The LO port frequency range is 520MHz to 920MHz (10dB return loss BW).

The LT[®]5560 is a 0.01MHz to 4000MHz low power, high performance broadband Up/Down-converting active mixer. This double-balanced mixer can be driven by a single-ended LO source and requires minus 2dBm of LO power. The signal ports can be impedance matched to a broad range of frequencies, which allow the LT[®]5560 to be used as an up- or

down-conversion mixer in a wide variety of applications.

The LT[®]5560 is characterized with a supply current of 10mA; however, the DC current is adjustable, which allows the performance to be optimized for each application by changing the value of resistor R1. For I_{CC}=10mA the value of R1 = 3 Ohm. Operation at a lower supply current will, however, degrade linearity.

Design files for this circuit board are available. Call the LTC factory.

LT is a registered trademark of Linear Technology Corporation.

Table 1. Typical Performance Summary (T_A = 25°C)

| PARAMETER | CONDITION (f _{INPUT} = 140MHz, f _{LO} =760MHz) | VALUE |
|---------------------------------------|--|---------------|
| Supply Voltage | | 2.7V to 5.0V |
| Supply Current | V _{CC} = 3V, EN = High, R1=3 | 10mA |
| Maximum Shutdown Current | V _{CC} = 3V, EN = 0.3V | 10μA |
| Signal Input Frequency Range | Requires External Matching | < 4000MHz |
| LO Signal Frequency Range | Requires External Matching | < 4000MHz |
| Signal Output Frequency Range | Requires External Matching | < 4000MHz |
| IF Input Return Loss | Z ₀ = 50 , with External Matching | 15dB |
| LO Input Return Loss | Z ₀ = 50 , with External Matching | 15dB |
| RF Output Return Loss | Z ₀ = 50 , with External Matching | 15dB |
| LO Input Power | | -6dBm to 1dBm |
| Conversion Gain | P _{INPUT} = -20dBm, P _{LO} = -2dBm | 2.4dB |
| SSB Noise Figure | P _{LO} = -2dBm | 9.3dB |
| Input 3 rd Order Intercept | 2-Tone, -20dBm/Tone, •f = 1MHz, P _{LO} = -2dBm | +9.0dBm |
| Input 2 nd Order Intercept | 2-Tone, -20dBm/Tone, •f = 1MHz, P _{LO} = -2dBm | +47dBm |
| Input 1dB Compression | P _{LO} = -2dBm | -2.8dBm |
| LO to IN leakage | P _{LO} = -2dBm | -54dBm |
| LO to OUT leakage | P _{LO} = -2dBm | -41dBm |

QUICK START PROCEDURE

Demonstration circuit DC963B is easy to set up to evaluate the performance of the LT[®]5560. Refer to Figure 1 for proper measurement equipment setup and follow the procedure below:

NOTE:

- a. Use high performance signal generators with low harmonic output for 2nd & 3rd order distortion measurements. Otherwise, low-pass filters at the signal generator outputs should be used to suppress harmonics, particularly the 2nd harmonic.
 - b. High quality combiners that provide a 50 Ohm termination on all ports and have good port-to-port isolation should be used. Attenuators on the outputs of the signal generators are recommended to further improve source isolation and to reduce reflection into the sources.
1. Connect all test equipment as shown in Figure 1.
 2. Set the DC power supply's current limit to 15mA, and adjust output voltage to 3V.
 3. Connect Vcc to the 3V DC supply, and then connect EN to 3V; the Mixer is enabled (on).
 4. Set Signal Generator #1 to provide a 760MHz, -2dBm, CW signal to the demo board LO input port.
 5. Set the Signal Generators #2 and #3 to provide two -20dBm CW signals to the demo board RF input port, one at 140MHz, and the other at 141MHz.
 6. To measure 3rd order distortion and conversion gain, set the Spectrum Analyzer start and stop frequencies to 898MHz and 903MHz, respectively. Sufficient spectrum analyzer input attenuation should be used to avoid distortion in the instrument.
 7. The 3rd order intercept point is equal to $(P_1 - P_3) / 2 + P_{in}$, where P_1 is the power level of the two fundamental output tones at 900MHz and 901MHz, P_3 is the 3rd order product at 899MHz and 902MHz, and P_{in} is the input power (in this case, -20dBm). All units are in dBm.
 8. Output 2nd order distortion product (OIM2) can be measured at 1041MHz, (140MHz+141MHz) + 760MHz = 1041MHz. To measure 2nd order distortion, set the Spectrum Analyzer start and stop frequencies to 1040MHz and 1042MHz, respectively. Sufficient spectrum analyzer input attenuation should be used to avoid distortion in the instrument.
 9. The input referred 2nd order intercept point (IIP2) is equal to $P_1 - P_2 + P_{in}$, where P_1 is the power level of the fundamental output tone at 900MHz or 901MHz, P_2 is the 2nd order distortion product at 1041MHz, and P_{in} is the input power (in this case -20dBm).

QUICK START GUIDE FOR DEMONSTRATION CIRCUIT DC963B

LOW POWER ACTIVE UP-CONVERTING MIXER

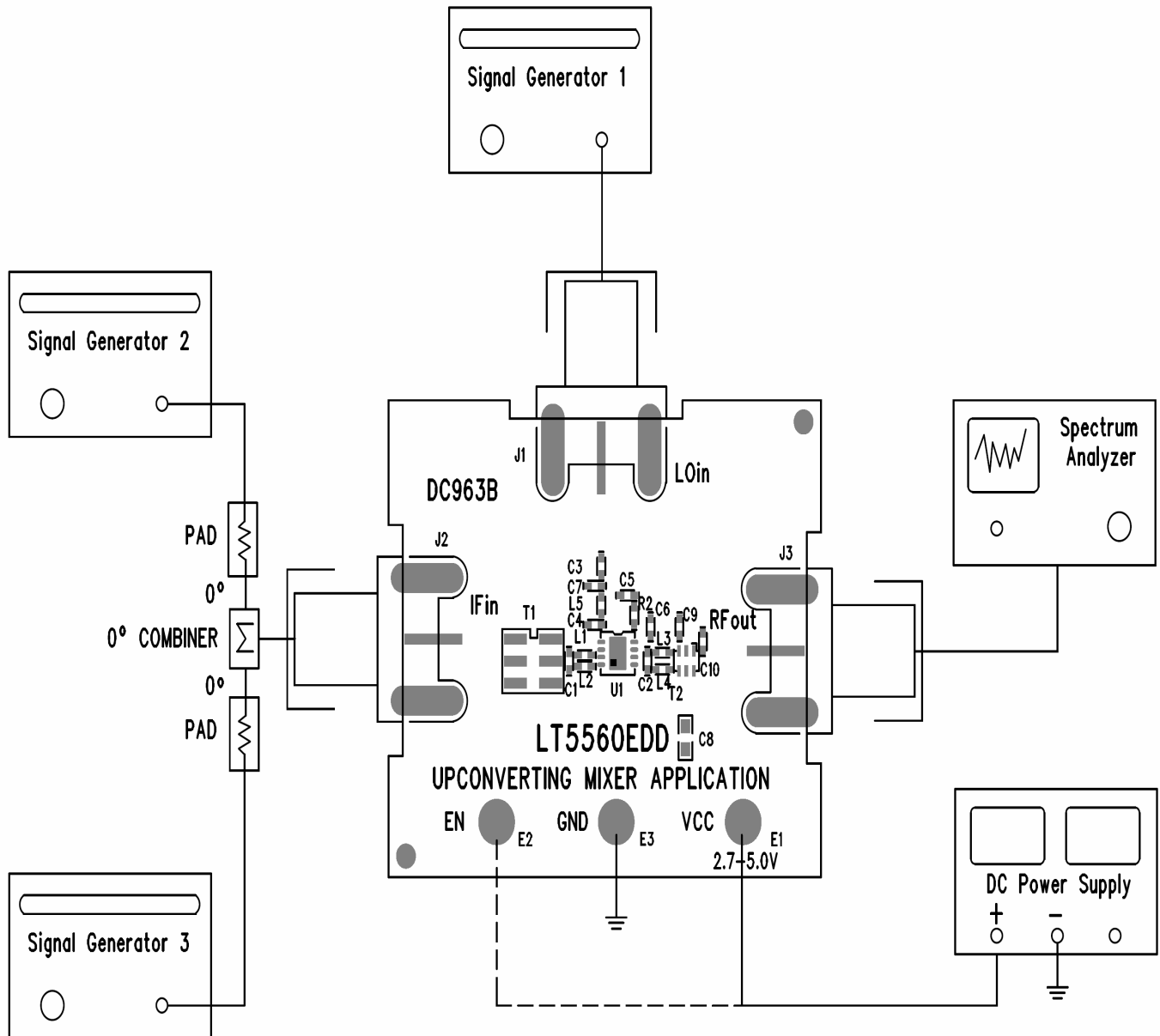
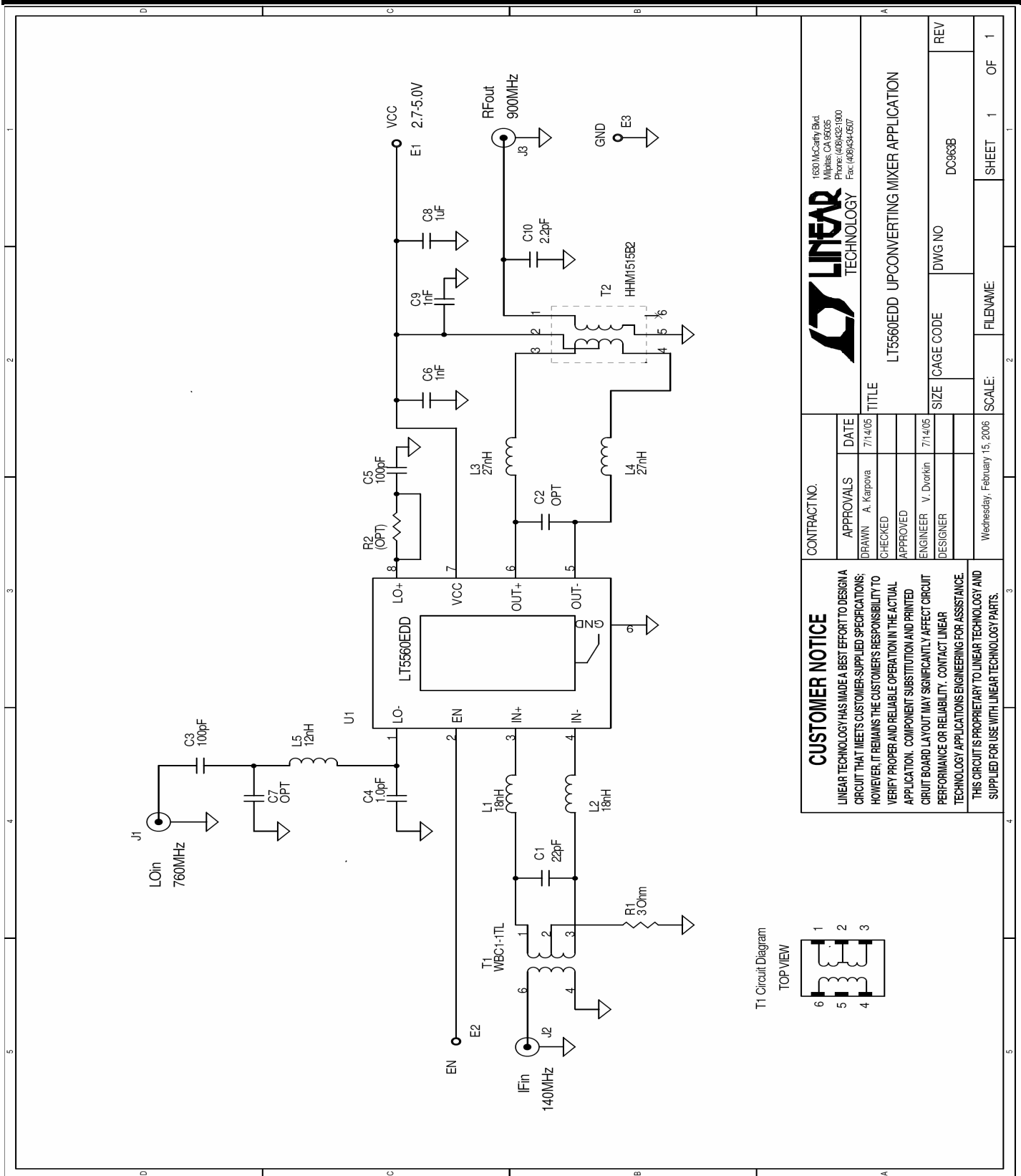


Figure 1. Proper Measurement Equipment Setup

QUICK START GUIDE FOR DEMONSTRATION CIRCUIT DC963B

LOW POWER ACTIVE UP-CONVERTING MIXER



CUSTOMER NOTICE

LINEAR TECHNOLOGY HAS MADE A BEST EFFORT TO DESIGN A CIRCUIT THAT MEETS CUSTOMER-SUPPLIED SPECIFICATIONS; HOWEVER, IT REMAINS THE CUSTOMER'S RESPONSIBILITY TO VERIFY PROPER AND RELIABLE OPERATION IN THE ACTUAL APPLICATION. COMPONENT SUBSTITUTION AND PRINTED CIRCUIT BOARD LAYOUT MAY SIGNIFICANTLY AFFECT CIRCUIT PERFORMANCE OR RELIABILITY. CONTACT LINEAR TECHNOLOGY APPLICATIONS ENGINEERING FOR ASSISTANCE.

THIS CIRCUIT IS PROPRIETARY TO LINEAR TECHNOLOGY AND SUPPLIED FOR USE WITH LINEAR TECHNOLOGY PARTS.

CONTRACT NO.

APPROVALS

DRAWN: A. Kaipova 7/14/05

CHECKED: []

APPROVED: []

ENGINEER: V. Dvorkin 7/14/05

DESIGNER: []

DATE: 7/14/05

WEDNESDAY, FEBRUARY 15, 2006

LINEAR TECHNOLOGY

1630 McCarthy Blvd
Milpitas, CA 95035
Phone: (408)432-1000
Fax: (408)434-1607

LT5560EDD UP-CONVERTING MIXER APPLICATION

TITLE

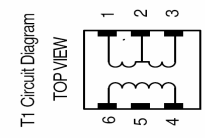
SCALE: 1 OF 1

SHEET 1 OF 1

FILENAME: DC963B

DWG NO: DC963B

REV: []





Компания «ЭлектроПласт» предлагает заключение долгосрочных отношений при поставках импортных электронных компонентов на взаимовыгодных условиях!

Наши преимущества:

- Оперативные поставки широкого спектра электронных компонентов отечественного и импортного производства напрямую от производителей и с крупнейших мировых складов;
- Поставка более 17-ти миллионов наименований электронных компонентов;
- Поставка сложных, дефицитных, либо снятых с производства позиций;
- Оперативные сроки поставки под заказ (от 5 рабочих дней);
- Экспресс доставка в любую точку России;
- Техническая поддержка проекта, помощь в подборе аналогов, поставка прототипов;
- Система менеджмента качества сертифицирована по Международному стандарту ISO 9001;
- Лицензия ФСБ на осуществление работ с использованием сведений, составляющих государственную тайну;
- Поставка специализированных компонентов (Xilinx, Altera, Analog Devices, Intersil, Interpoint, Microsemi, Aeroflex, Peregrine, Syfer, Eurofarad, Texas Instrument, Miteq, Cobham, E2V, MA-COM, Hittite, Mini-Circuits, General Dynamics и др.);

Помимо этого, одним из направлений компании «ЭлектроПласт» является направление «Источники питания». Мы предлагаем Вам помощь Конструкторского отдела:

- Подбор оптимального решения, техническое обоснование при выборе компонента;
- Подбор аналогов;
- Консультации по применению компонента;
- Поставка образцов и прототипов;
- Техническая поддержка проекта;
- Защита от снятия компонента с производства.



Как с нами связаться

Телефон: 8 (812) 309 58 32 (многоканальный)

Факс: 8 (812) 320-02-42

Электронная почта: org@eplast1.ru

Адрес: 198099, г. Санкт-Петербург, ул. Калинина, дом 2, корпус 4, литера А.