

Ordering a market-ready enclosure® is made fast and affordable with our complete in-house capabilities. New Age provides machined openings to fit your PCB, pad printing for your graphics, custom enclosures, custom colors, final assembly, testing and fulfillment services to save you additional time and money. Ask your representative for a free quote today 805-595-1310.

## ***Fast and Affordable Customization***

**CNC Modifications  
Pad Printing  
Colored Resins  
EMI/RF Shielding  
Custom Enclosure  
Assembly & Testing**



ISO quality  
off-the-shelf  
to market-ready®

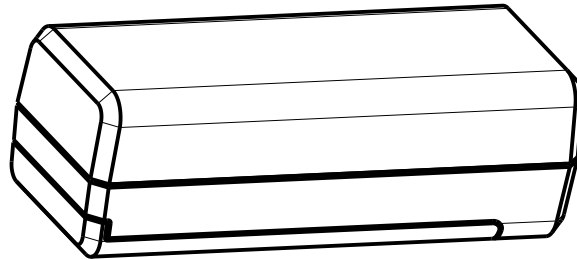
# **NEW AGE ENCLOSURES**

[www.NewAgeEnclosures.com](http://www.NewAgeEnclosures.com)

4330 Santa Fe Road • San Luis Obispo, CA 93401 • T 805.595.1310 • F 805.595.1024

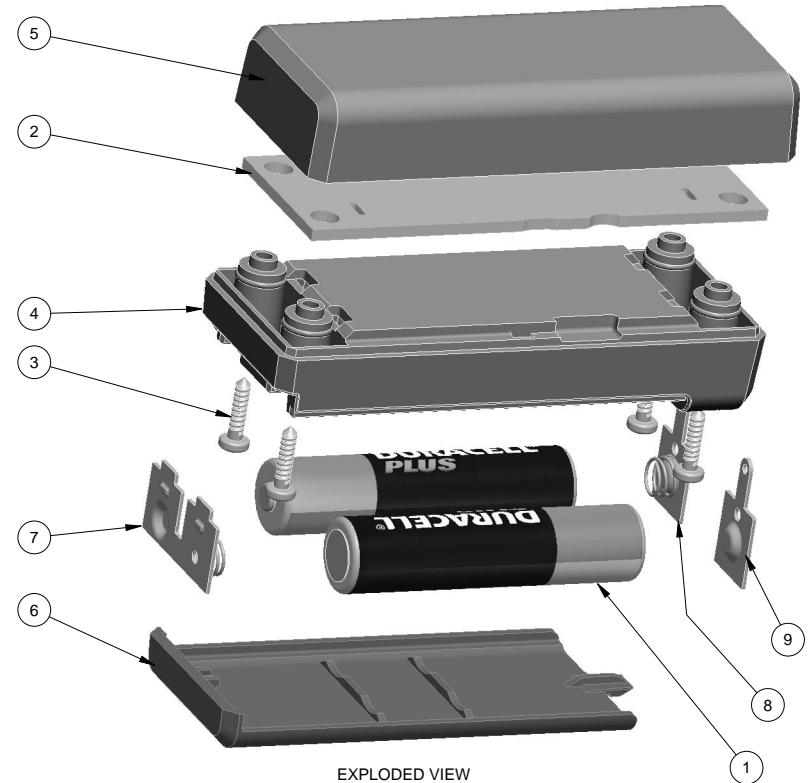
**NOTES: UNLESS OTHERWISE SPECIFIED**

1. CORNERS DRAWN SHARP TO BE R.005 MAXIMUM.
2. EXTERIOR SURFACE TEXTURE TO BE LIGHT EDM FINISH. EQUIVELANT TO MT-11020.
3. INTERIOR SURFACE TEXTURE TO BE: NONE
4. ALL INSIDE RADII .010R. ALL OUTSIDE RADII .020R MAX, UNLESS OTHERWISE SPECIFIED.
5. ALL EXTERNAL DIMENSIONS AFFECTED BY THE DRAFT APPLY AT THE LARGE END OF THE FEATURE, AND ALL INTERNAL FEATURES AFFECTED BY THE DRAFT APPLY AT THE SMALL END OF THE FEATURE UNLESS OTHERWISE SPECIFIED.
6. 1 DEGREE DRAFT IN THE DIRECTION OF PULL IS PERMISSIBLE UNLESS OTHERWISE SPECIFIED.
7. MATERIAL / COLOR: ABS PLASTIC IS STANDARD IN BLACK OR WHITE. CUSTOM MATERIALS AND COLORS ARE AVAILABLE UPON REQUEST FOR QUOTE.
8. PCB SIZES ARE RECOMMENDATIONS ONLY. FINAL SIZES AND VERIFICATION OF IT'S FIT ARE THE SOLE RESPONSIBILITY OF EACH OWNER.
9. ASSEMBLY SCREWS FOR THE ENCLOSURE ARE PROVIDED. MOUNTING SCREWS FOR PCB AND BATTERY CONTACTS SOLD SEPERATELY.
10. THIS DRAWING IS BASED ON A SOLID MODEL, AND IS FURTHER DEFINED BY THE SOLID MODEL FILE.
11. ALLOWABLE FLASH: 0.010 MAX.
12. ALL EJECTOR PIN MARKS TO BE WITHIN 0.010" OF FLUSH, PROTRUDING OR BELOW FLUSH.



SCALE 1.000

| R E V I S I O N |          |        |   |           |          |
|-----------------|----------|--------|---|-----------|----------|
| REV.            | DRAWN BY | ECO No | DESCRIPTION                             | DATE      | APPROVED |
| A-G             | M BOYER  |        | PRELIMINARY THROUGH CONCEPT - SEE REV G | 14-Jun-12 | D.C.     |
| 1.0             | M BOYER  |        | RELEASED TO MFG PER CUSTOMER            | 27-Nov-12 |          |
|                 |          |        |   |           |          |



EXPLODED VIEW  
SCALE 1.000

| ITEM | FILE NAME             | DESCRIPTION             | MATERIAL          | COLOR          | QTY. |
|------|-----------------------|-------------------------|-------------------|----------------|------|
| 9    | AAA-SINGL-CONTACT-POS | ACC-AAAPOS-5226         | SPRING STEEL      |                | 1    |
| 8    | AAA-SINGL-CONTACT-NEG | ACC-AAANEG-5204         | SPRING STEEL      |                | 1    |
| 7    | AAA-DBL-CONTACT       | ACC-AAADBL-5214L        | SPRING STEEL      |                | 1    |
| 6    | 281109_HATCH          | 281109 HATCH - STANDARD | ABS               | BLACK or WHITE | 1    |
| 5    | 281109_COVER          | 281109 COVER - STANDARD | ABS               | BLACK or WHITE | 1    |
| 4    | 281109_BASE           | 281109 BASE - STANDARD  | ABS               | BLACK or WHITE | 1    |
| 3    | NO_2_HI-LO_SCREW      | No2 HI-LO x .375"       | STEEL             |                | 4    |
| 2    | 281109_PCB            | REFERENCE ONLY          | CUSTOMER SUPPLIED | .062" THICK    | 1    |
| 1    | AAA-BATTERY           | REFERENCE ONLY          | CUSTOMER SUPPLIED | "AAA" SIZE     | 2    |

**BILL OF MATERIALS**

THIRD ANGLE PROJECTION  
DO NOT SCALE DRAWING

TOLERANCES: UNLESS OTHERWISE SPECIFIED  
DIMENSIONS ARE IN U.S. INCHES.  
X.XX = .015 X.XXXX = .001  
X.XXX = .010 X.X° = 1°

NEW AGE ENCLOSURES  
Customer's Part No: 281109

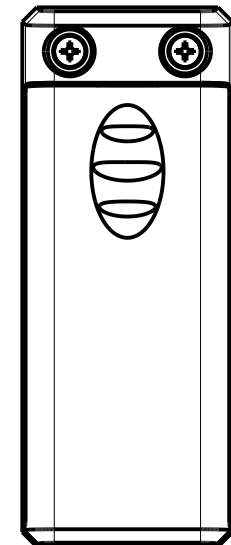
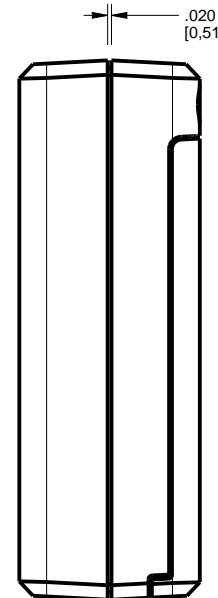
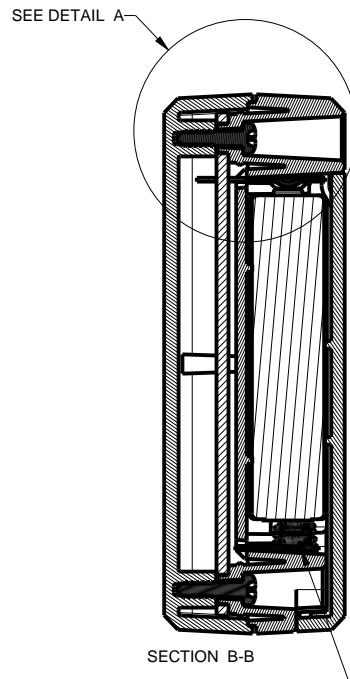
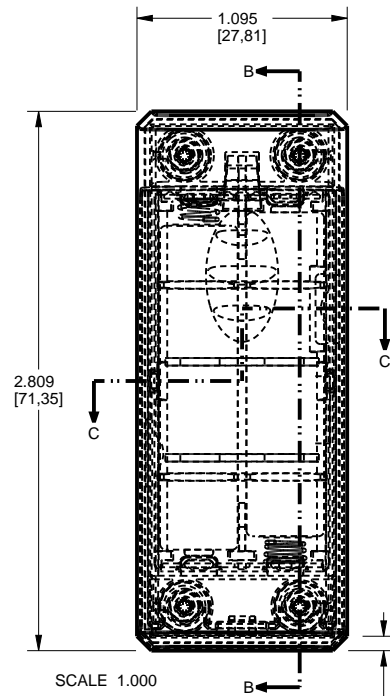
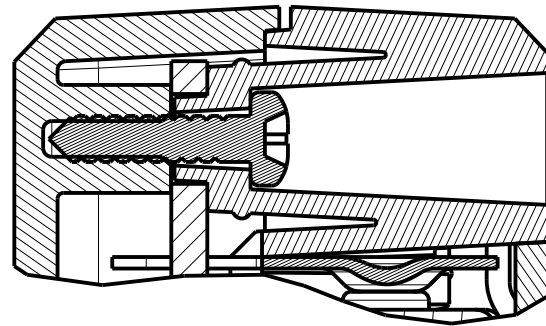
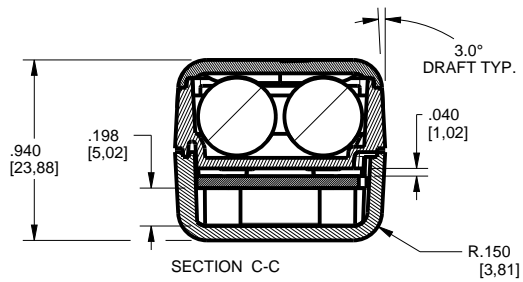
|          |          |      |
|----------|----------|------|
| APPROVAL | BY       | DATE |
| ENG.     |          |      |
| QUALITY  |          |      |
| SCALE    | AS NOTED |      |

DRAWN BY  
M BOYER

**NEW AGE ENCLOSURES**  
4330 Santa Fe Road San Luis Obispo, CA. 93401  
ph. (805) 595-1310 fax (805) 595-1024  
[www.newageenclosures.com](http://www.newageenclosures.com)

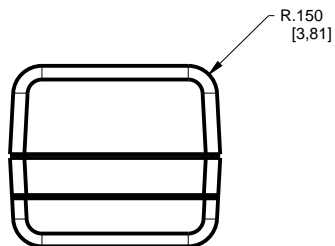
**STANDARD - COMPACT AAA  
SXX-281109 ASSEMBLY**

|      |              |        |         |
|------|--------------|--------|---------|
| SIZE | DRAWING NAME | SHEET  | REV.DOC |
| A    | 281109_R1_0  | 1 OF 7 | 1.0     |



.075 x 45° CHAMFER [1,91]

DOUBLE BATTERY CONTACT (BRIDGE) SHOULD BE INSTALLED ON THIS END OF THE ENCLOSURE.



TOLERANCES: UNLESS OTHERWISE SPECIFIED  
DIMENSIONS ARE IN U.S. INCHES.  
X.XX = .015 X.XXXX = .001  
X.XXX = .010 X.X° = 1°

NEW AGE ENCLOSURES  
Customer's Part No: 281109

|          |          |      |
|----------|----------|------|
| APPROVAL | BY       | DATE |
| CHECK    |          |      |
| ENG.     |          |      |
| SCALE    | AS NOTED |      |

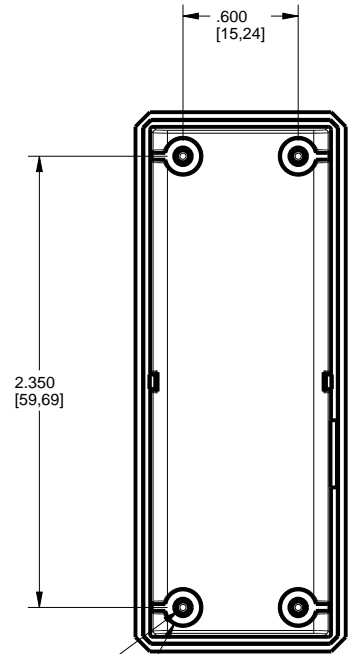
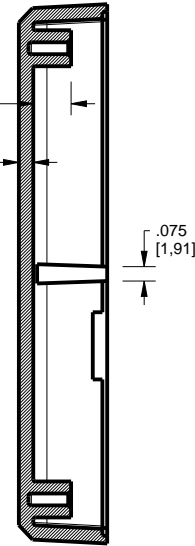
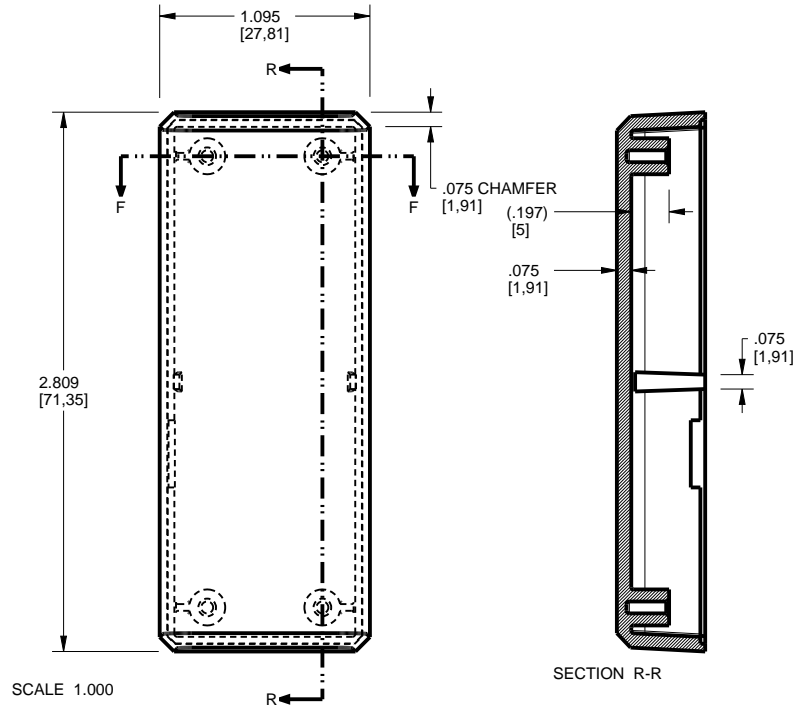
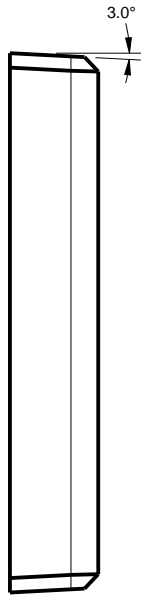
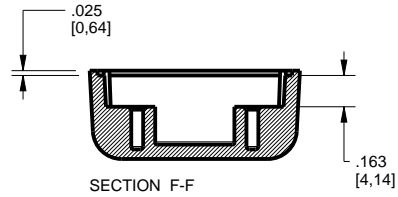
|          |           |
|----------|-----------|
| DRAWN BY | 15-Jun-12 |
| M BOYER  |           |

**NEW AGE ENCLOSURES**  
4330 Santa Fe Road San Luis Obispo, CA. 93401  
ph. (805) 595-1310 fax (805) 595-1024  
[www.newageenclosures.com](http://www.newageenclosures.com)

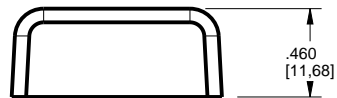
STANDARD - COMPACT AAA  
SXX-281109 ASSEMBLY

|      |              |        |         |
|------|--------------|--------|---------|
| SIZE | DRAWING NAME | SHEET  | REV.DOC |
| A    | 281109_R1_0  | 2 OF 7 | 1.0     |

# 281109 COVER



Ø .062 [1,57]  
Ø .188 [4,76]



TOLERANCES: UNLESS OTHERWISE SPECIFIED  
DIMENSIONS ARE IN U.S. INCHES.

X.XX = .015 X.XXXX = .001  
X.XXX = .010 X.X° = 1°

NEW AGE ENCLOSURES

Customer's Part No: 281109

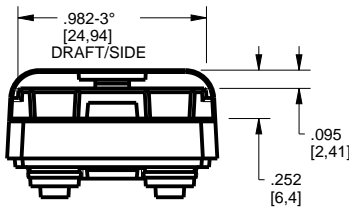
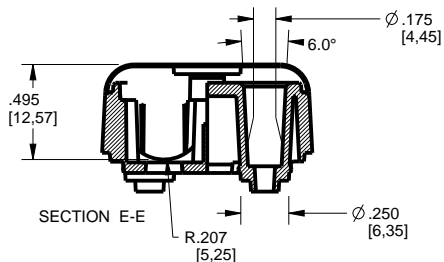
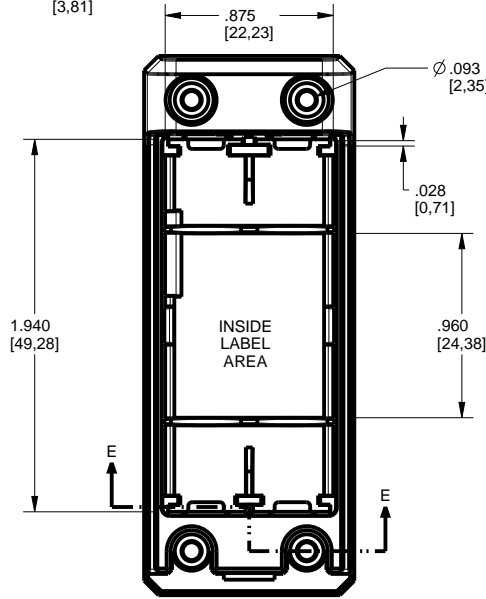
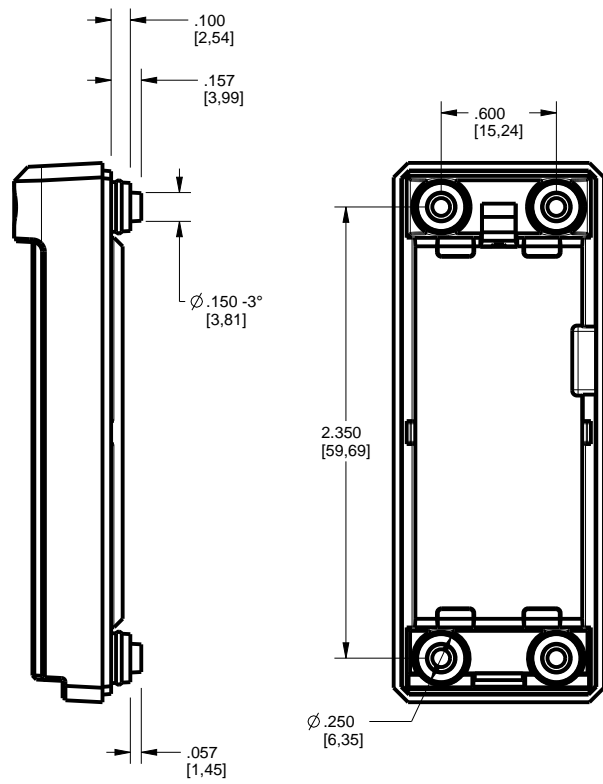
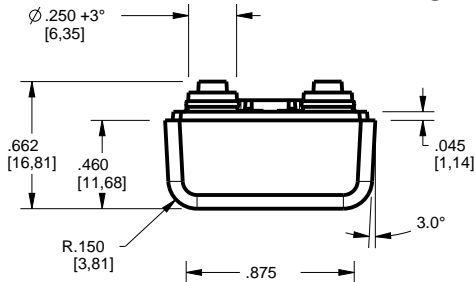
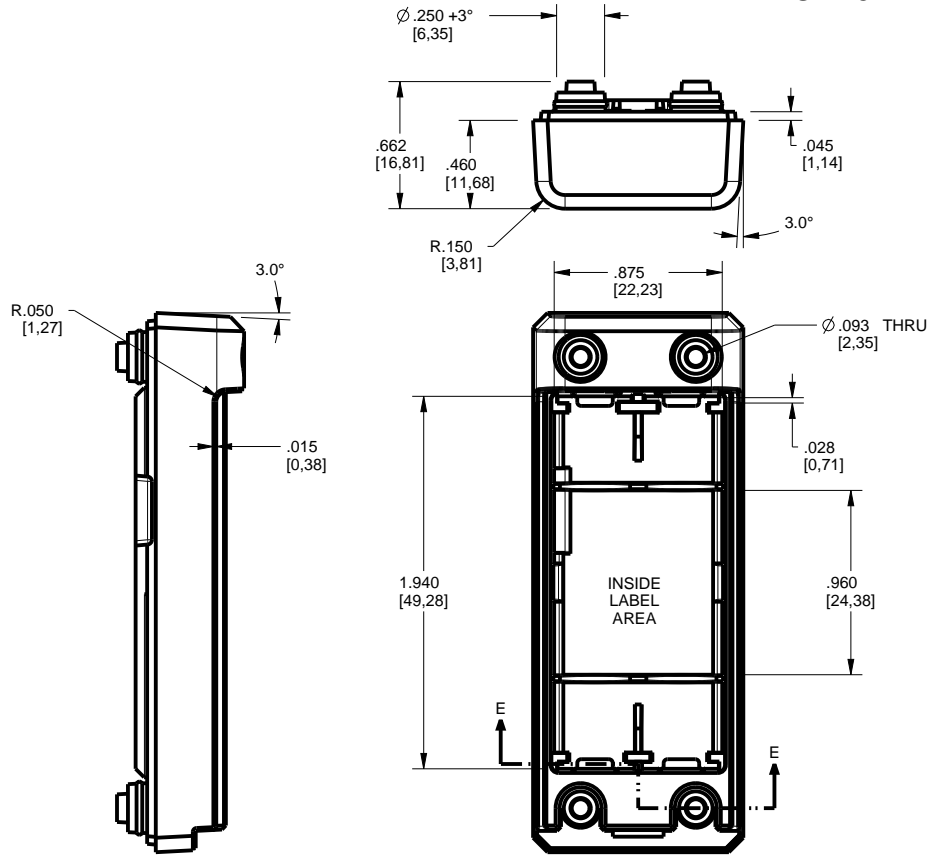
|          |           |      |
|----------|-----------|------|
| APPROVAL | BY        | DATE |
| CHECK    |           |      |
| ENG.     |           |      |
| SCALE    | AS NOTED  |      |
| DRAWN BY | M BOYER   |      |
|          | 15-Jun-12 |      |

**NEW AGE ENCLOSURES**  
4330 Santa Fe Road San Luis Obispo, CA. 93401  
ph. (805) 595-1310 fax (805) 595-1024  
[www.newageenclosures.com](http://www.newageenclosures.com)

**STANDARD - COMPACT AAA  
SXX-281109 ASSEMBLY**

|      |              |        |         |
|------|--------------|--------|---------|
| SIZE | DRAWING NAME | SHEET  | REV.DOC |
| A    | 281109_R1_0  | 3 OF 7 | 1.0     |

# 281109 BASE



SCALE 1.000

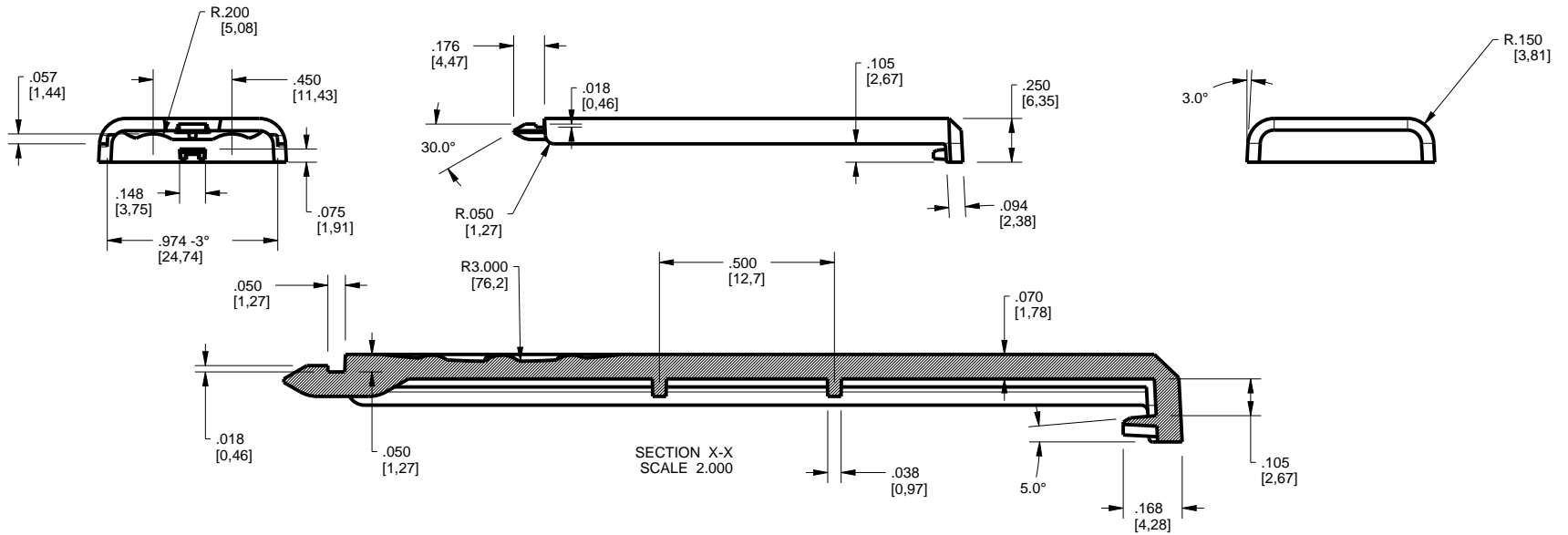
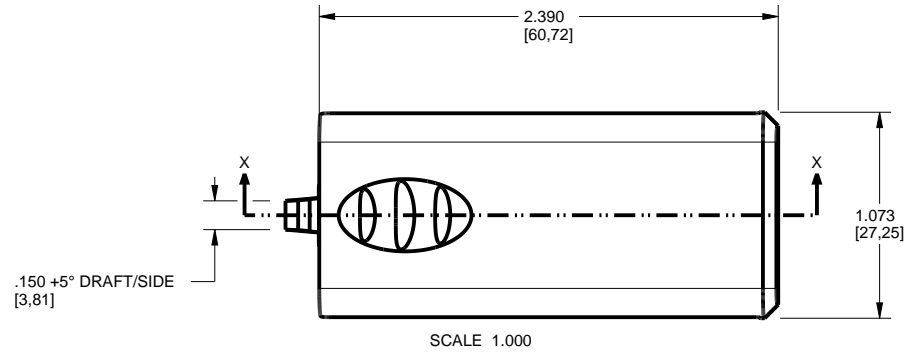
|  |           |
|--|-----------|
| TOLERANCES: UNLESS OTHERWISE SPECIFIED<br>DIMENSIONS ARE IN U.S. INCHES. |           |
| X.XX = .015 X.XXXX = .001  |           |
| X.XXX = .010 X.X° = 1°   |           |
| NEW AGE ENCLOSURES   |           |
| Customer's Part No: 281109   |           |
| APPROVAL   | BY DATE   |
| CHECK  |           |
| ENG.   |           |
| SCALE  | AS NOTED  |
| DRAWN BY   | M BOYER   |
| DATE   | 15-Jun-12 |

**NEW AGE ENCLOSURES**  
 4330 Santa Fe Road San Luis Obispo, CA. 93401  
 ph. (805) 595-1310 fax (805) 595-1024  
[www.newageenclosures.com](http://www.newageenclosures.com)

**STANDARD - COMPACT AAA  
 SXX-281109 ASSEMBLY**

|      |   |              |             |       |        |         |     |
|------|---|--------------|-------------|-------|--------|---------|-----|
| SIZE | A | DRAWING NAME | 281109_R1_0 | SHEET | 4 OF 7 | REV.DOC | 1.0 |
|------|---|--------------|-------------|-------|--------|---------|-----|

# 281109 HATCH



TOLERANCES: UNLESS OTHERWISE SPECIFIED  
DIMENSIONS ARE IN U.S. INCHES.  
X.XX = .015 X.XXXX = .001  
X.XXX = .010 X.X° = 1°

NEW AGE ENCLOSURES

Customer's Part No: 281109

|          |          |      |
|----------|----------|------|
| APPROVAL | BY       | DATE |
| CHECK    |          |      |
| ENG.     |          |      |
| SCALE    | AS NOTED |      |

DRAWN BY  
M BOYER 15-Jun-12

**NEW AGE ENCLOSURES**

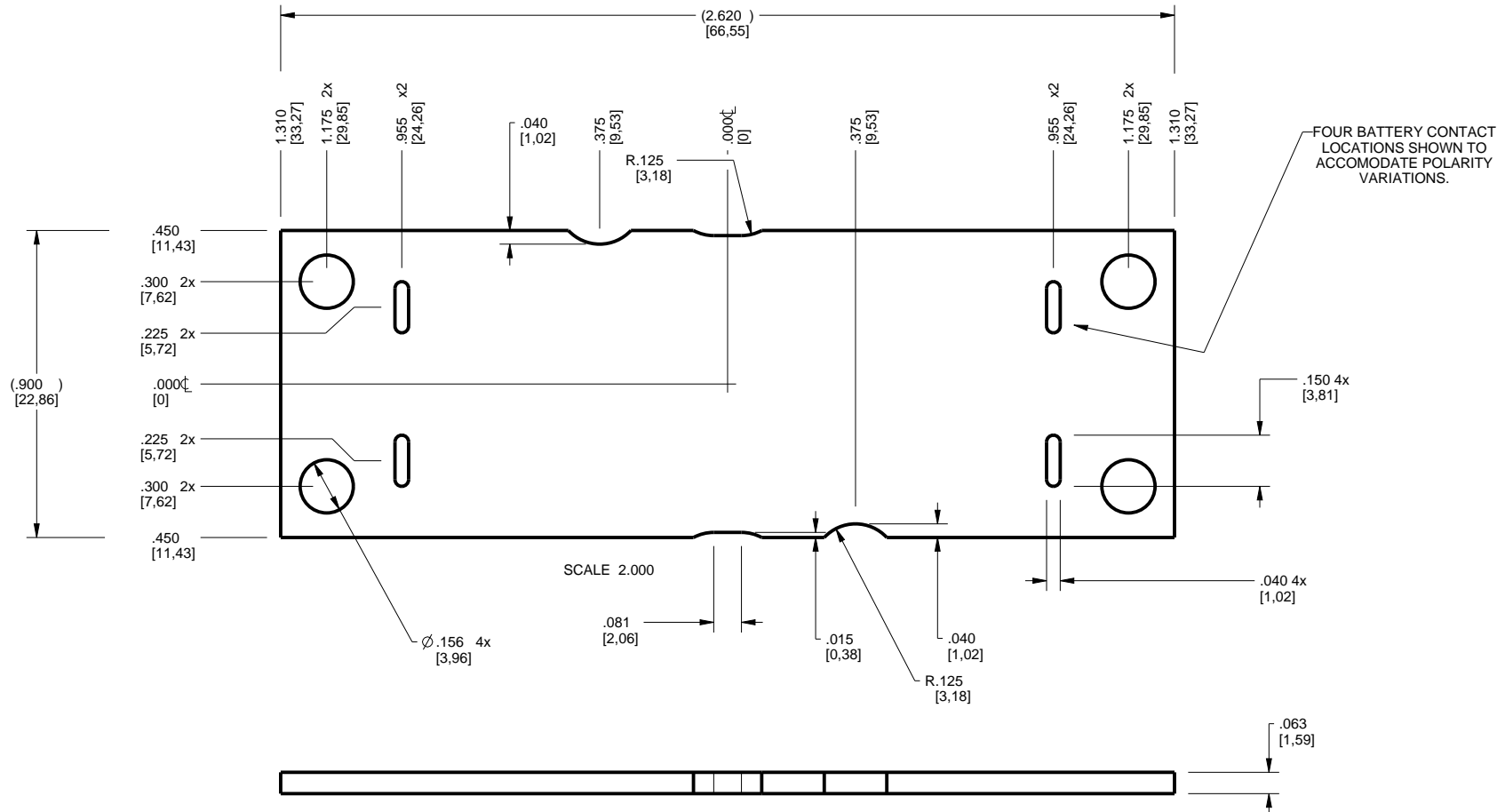
4330 Santa Fe Road San Luis Obispo, CA. 93401  
ph. (805) 595-1310 fax (805) 595-1024  
[www.newageenclosures.com](http://www.newageenclosures.com)

STANDARD - COMPACT AAA  
SXX-281109 ASSEMBLY

|           |                             |                 |                |
|-----------|-----------------------------|-----------------|----------------|
| SIZE<br>A | DRAWING NAME<br>281109_R1_0 | SHEET<br>5 OF 7 | REV.DOC<br>1.0 |
|-----------|-----------------------------|-----------------|----------------|

# 281109 PCB - CUSTOMER SUPPLIED

PCB SIZES ARE RECOMMENDATIONS ONLY. FINAL SIZES AND VERIFICATION OF IT'S FIT ARE THE SOLE RESPONSIBILITY OF THE OEM.



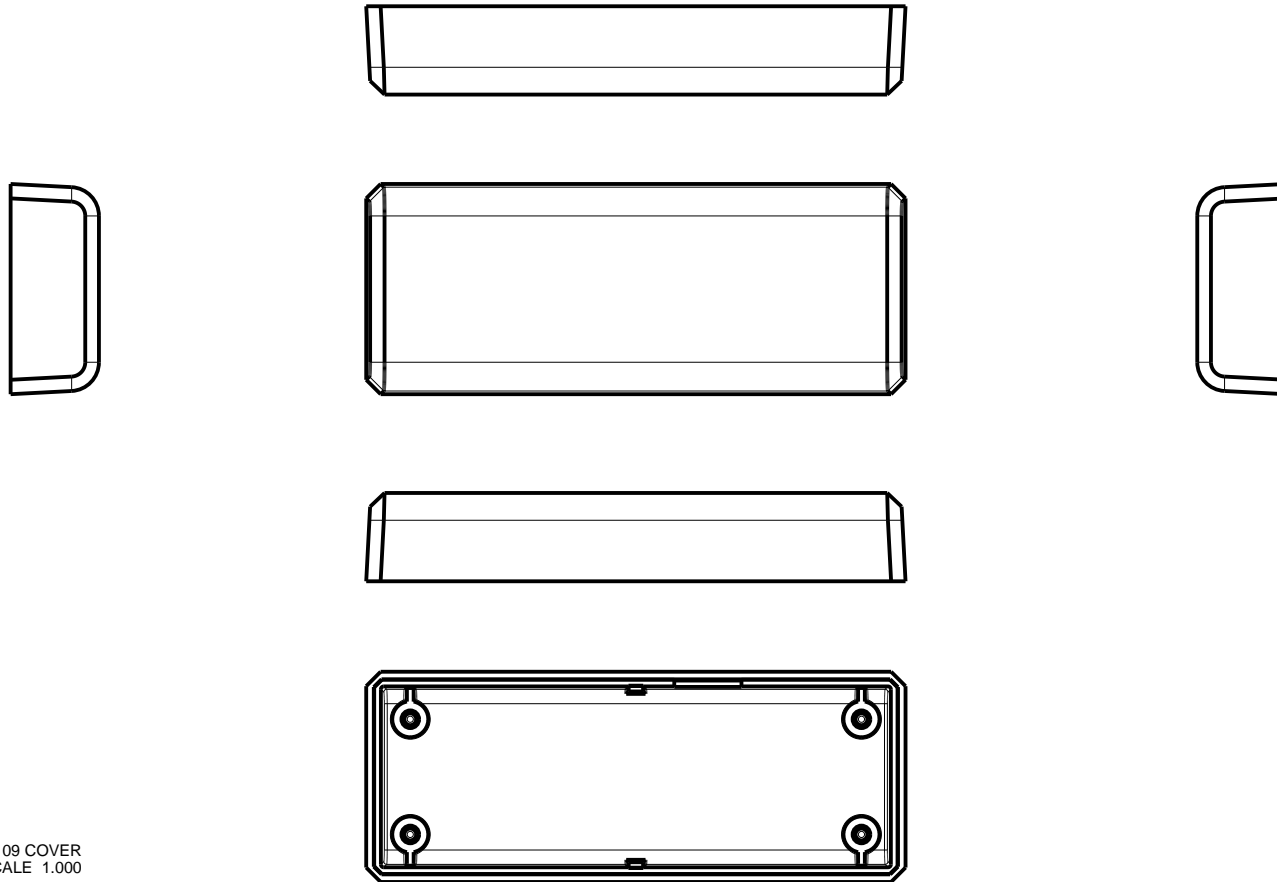
NOTE  
1. BATTERY CONNECTION POINTS SHOWN AT BOTH ENDS TO ALLOW ALTERNATE ASSEMBLY OPTION.

|   |             |  |              |
|---|-------------|--|--------------|
| TOLERANCES - UNLESS OTHERWISE SPECIFIED DIMENSIONS ARE IN U.S. INCHES.<br>X.XX = .015 X.XXXX = .001<br>X.XXX = .010 X.X° = 1° |             | <b>NEW AGE ENCLOSURES</b>  |              |
| NEW AGE ENCLOSURES  |             | 4330 Santa Fe Road San Luis Obispo, CA. 93401<br>ph. (805) 595-1310 fax (805) 595-1024<br><a href="http://www.newageenclosures.com">www.newageenclosures.com</a> |              |
| Customer's Part No: 281109  |             |  |              |
| APPROVAL  | BY          | DATE   |              |
| CHECK   |             |  |              |
| ENG.  |             |  |              |
| SCALE   | AS NOTED    |  |              |
| DRAWN BY  | M BOYER     | 15-Jun-12  | SIZE A       |
| DRAWING NAME  | 281109_R1_0 |  | SHEET 6 OF 7 |
| REV.DOC   | 1.0         |  |              |



## 2nd OPERATION DETAILS

NEW AGE ENCLOSURES DELIVERS YOUR ENCLOSURE MARKET-READY WITH IN-HOUSE  
CNC MACHINING, PAD PRINTING, ASSEMBLY, AND FULFILLMENT.  
ALL SURFACES AND AREAS ARE AVAILABLE FOR CNC ALTERATION BY NEW AGE ENCLOSURES  
CALL (805) 595-1310 FOR PRICING AND SCHEDULE.  
THE INSIDE RADIUS OF ANY MACHINED FEATURES SHOULD BE NO SMALLER THAN .031"



281109 COVER  
SCALE 1.000

| SXX-281109-XXX COVER - ABS, BLACK |             |               |                    |             |            | TOLERANCES: UNLESS OTHERWISE SPECIFIED<br>DIMENSIONS ARE IN U.S. INCHES.<br>X.XX = .015 X.XXXX = .001<br>X.XXX = .010 X.X° = 1° |           | <b>NEW AGE ENCLOSURES</b>  |   |
|-----------------------------------|-------------|---------------|--------------------|-------------|------------|---|-----------|--|---|
| STEP NO                           | DESCRIPTION | CUTTER        | FIXTURE            | ORIENTATION | PROGRAM    | Customer's Part No: 281109  |           | 4330 Santa Fe Road San Luis Obispo, CA. 93401<br>ph. (805) 595-1310 fax (805) 595-1024<br><a href="http://www.newageenclosures.com">www.newageenclosures.com</a> |   |
| 1                                 | -           | T2 = .062" EM | -                  | -           | -          | APPROVAL  | BY        | DATE   |   |
| 2                                 | -           | T2 = .062" EM | -                  | -           | -          | CHECK   |           |  | <b>STANDARD - COMPACT AAA<br/>SXX-281109 ASSEMBLY</b> |
| SXX-281109-XXX COVER - ABS, BLACK |             |               |                    |             |            | ENG.  |           |  |   |
| STEP NO                           | DESCRIPTION | INK COLOR     | CLICHE DESCRIPTION |             | CLICHE No. | SCALE   | AS NOTED  |  |   |
| 3                                 | PAD PRINT   |               |                    |             | --         | DRAWN BY<br>M BOYER   | 15-Jun-12 | SIZE<br>A  | DRAWING NAME<br>281109_R1_0                           |
|                                   |             |               |                    |             |            |   |           | SHEET<br>7 OF 7  | REV.DOC<br>1.0  |

# Mouser Electronics

Authorized Distributor

Click to View Pricing, Inventory, Delivery & Lifecycle Information:

[New Age Enclosures:](#)

[S1A-281109](#) [S3A-281109](#)



Компания «ЭлектроПласт» предлагает заключение долгосрочных отношений при поставках импортных электронных компонентов на взаимовыгодных условиях!

Наши преимущества:

- Оперативные поставки широкого спектра электронных компонентов отечественного и импортного производства напрямую от производителей и с крупнейших мировых складов;
- Поставка более 17-ти миллионов наименований электронных компонентов;
- Поставка сложных, дефицитных, либо снятых с производства позиций;
- Оперативные сроки поставки под заказ (от 5 рабочих дней);
- Экспресс доставка в любую точку России;
- Техническая поддержка проекта, помощь в подборе аналогов, поставка прототипов;
- Система менеджмента качества сертифицирована по Международному стандарту ISO 9001;
- Лицензия ФСБ на осуществление работ с использованием сведений, составляющих государственную тайну;
- Поставка специализированных компонентов (Xilinx, Altera, Analog Devices, Intersil, Interpoint, Microsemi, Aeroflex, Peregrine, Syfer, Eurofarad, Texas Instrument, Miteq, Cobham, E2V, MA-COM, Hittite, Mini-Circuits, General Dynamics и др.);

Помимо этого, одним из направлений компании «ЭлектроПласт» является направление «Источники питания». Мы предлагаем Вам помощь Конструкторского отдела:

- Подбор оптимального решения, техническое обоснование при выборе компонента;
- Подбор аналогов;
- Консультации по применению компонента;
- Поставка образцов и прототипов;
- Техническая поддержка проекта;
- Защита от снятия компонента с производства.



#### Как с нами связаться

**Телефон:** 8 (812) 309 58 32 (многоканальный)

**Факс:** 8 (812) 320-02-42

**Электронная почта:** [org@eplast1.ru](mailto:org@eplast1.ru)

**Адрес:** 198099, г. Санкт-Петербург, ул. Калинина, дом 2, корпус 4, литера А.