

Over-Sampling ADC Multi-Application

DESCRIPTION

Demonstration circuit 2390A is a general-purpose test platform for prototyping and evaluating some of the key applications for the LTC2500 family of high resolution, oversampling ADCs. Assembly type A includes two **LTC®2500-32**, 32-bit oversampling ADCs with configurable digital filters, two **LTC1668** 16-bit, 50Mps DACs, analog signal conditioning, and clock generation. (Other dash options are reserved for future use). All power for basic experiments is taken from the host FPGA board. The digital interface is an HSMC (high speed mezzanine connector), which is compatible with the Altera Cyclone

5 SoCkit and other Altera FPGA evaluation boards that support 3.3V CMOS I/O.

This demo manual covers the basic functionality of DC2390. Additional experiments and applications are documented elsewhere.

Design files for this circuit board are available at <http://www.linear.com/demo/DC2390A>

LT, LTC, LTM, Linear Technology and the Linear logo are registered trademarks and QuikEval is a trademark of Linear Technology Corporation. All other trademarks are the property of their respective owners.

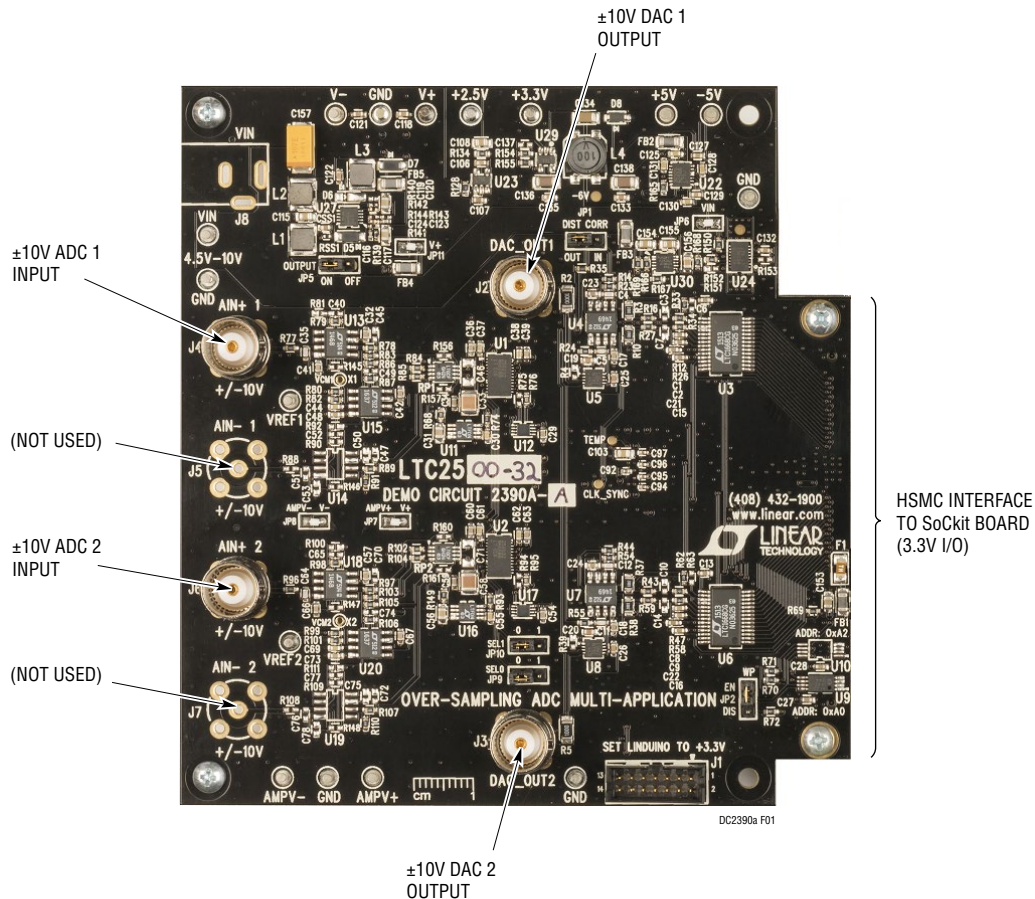


Figure 1. Basic Connections

QUICK START PROCEDURE

- 1) Prepare the SoCkit board and SD card image as described here:

<http://www.linear.com/solutions/7704>

- 2) Install the LinearLabTools software package from:

<http://www.linear.com/linearlabtools>

- 3) Follow the procedure for installing Python, and verify that the `check_linear_lab_tools_python_install.py` script executes properly.

- 4) Carefully mount the DC2390 to the SoCkit board via the HSMC connector, using 5mm standoffs between boards. Tighten mounting screws.

- 5) Connect the SoCkit board to a network with a DHCP server, or connect directly to host computer's Ethernet jack or USB-Ethernet adapter.

- 6) Connect DAC_OUT1 BNC jack to the AIN+ 1 BNC and the DAC_OUT2 to AIN+ 2 using short (30cm max) cables.

- 7) Power up the SoCkit board using the 12V adapter. The DC2390 is powered by the HSMC connector by default, no other power is necessary. After approximately 30 seconds, the `FPGA_CONF_D` LED will illuminate, and the board's IP address will show in the LCD display.

- 8) Open Spyder (the Anaconda Python Debugger) click file -> open, and navigate to the location where LinearLabTools is installed. Open this script:

```
\python\llt\app_examples\ltc2500_family\ and open DC2390_full_datapath_test.py.
```

- 9) Click Run -> Configure, and enter the IP address from the SoCkit LCD screen in the command line argument box. Click Run.

- 10) If running the script from the command line, append the IP address to the command:

```
python DC2390_full_datapath_test.py 10.54.6.123
```

(Replace the 10.54.6.123 with the actual IP address shown on the LCD screen.)

- 11) If the script reports an incorrect FPGA bitfile, log into the SoCkit board using an SSH client such as Putty on Windows, or directly from a terminal in Mac or Linux. User name is "socket", password is "socket". Run these commands:

```
cd fpga_bitfiles
```

```
rm default.rbf
```

```
In --symbolic DC2390_ABCD_XXXX.rbf default.rbf
```

(where XXXX is the highest number present in the directory, 1240 as of this publication)

```
sudo program_fpga.sh default.rbf
```

(enter "socket" for the password)

This only needs to be done once, the correct FPGA bitfile will be loaded automatically the next time the board boots.

The script will run through a set of diagnostic tests:

- 1) A basic sinewave capture, using a digital sinewave generator as the data source to the LTC1668.
- 2) A test of the arbitrary waveform generator, using a counter as the address to a lookup table as the data source to the LTC1668.
- 3) A single-shot run through the lookup table, triggered by the start of data capture.
- 4) NCO data as the address to the lookup table (distortion correction mode).
- 5) A test of the PID controller, with two different sets of PID constants.

These tests are described in more detail in the Python script comments. Typical plots are shown in Figures 2, 3, 4, 5, and 6.

QUICK START PROCEDURE

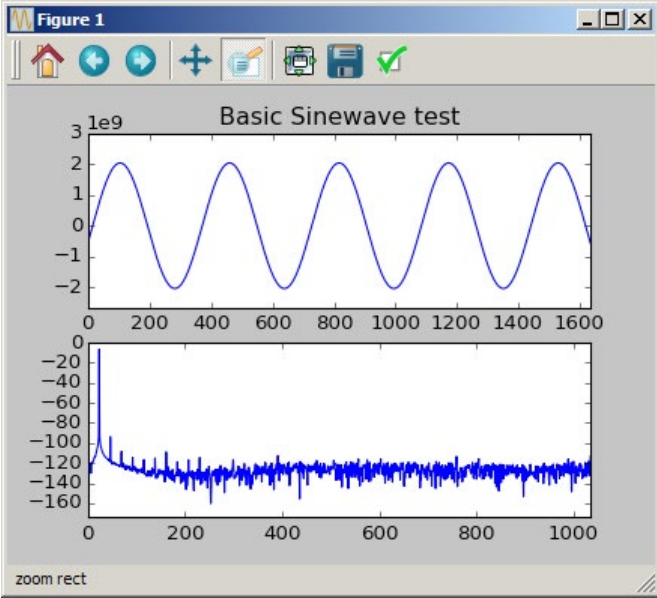


Figure 2

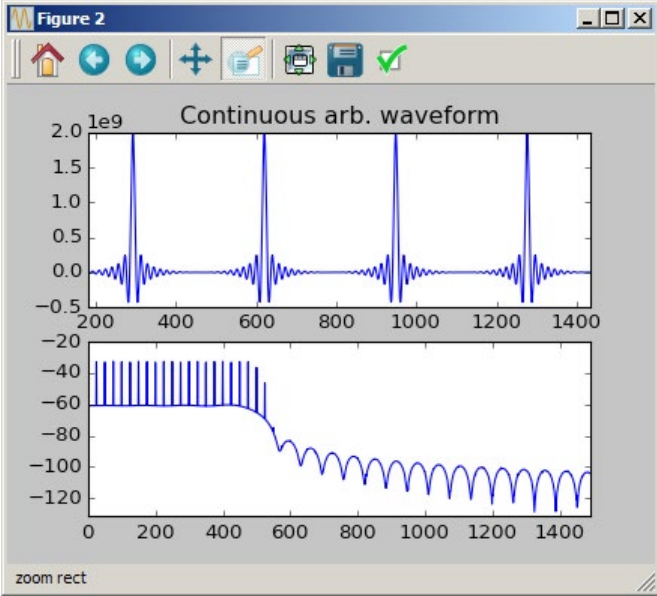


Figure 3

QUICK START PROCEDURE

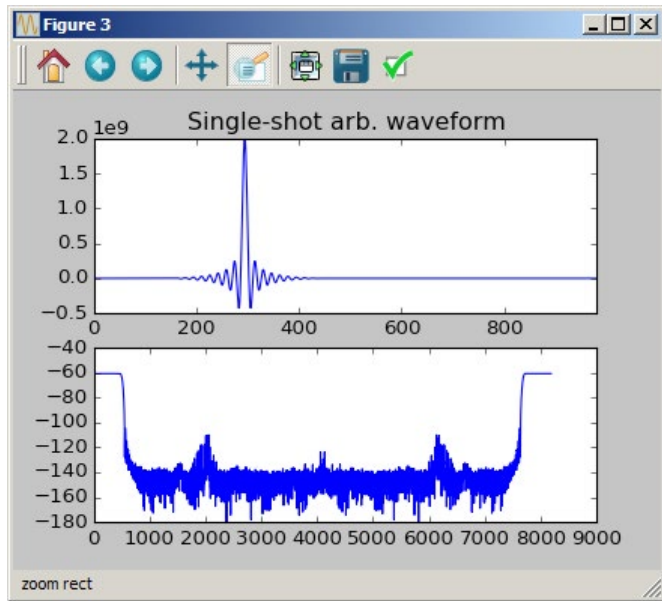


Figure 4

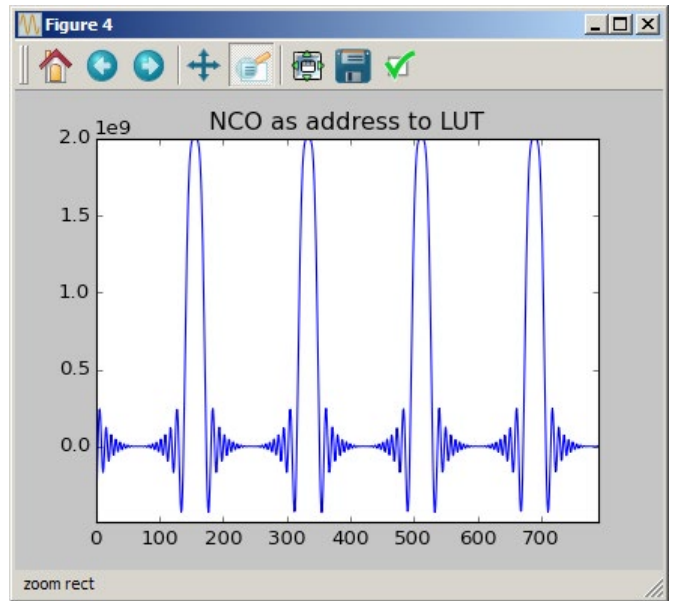


Figure 5

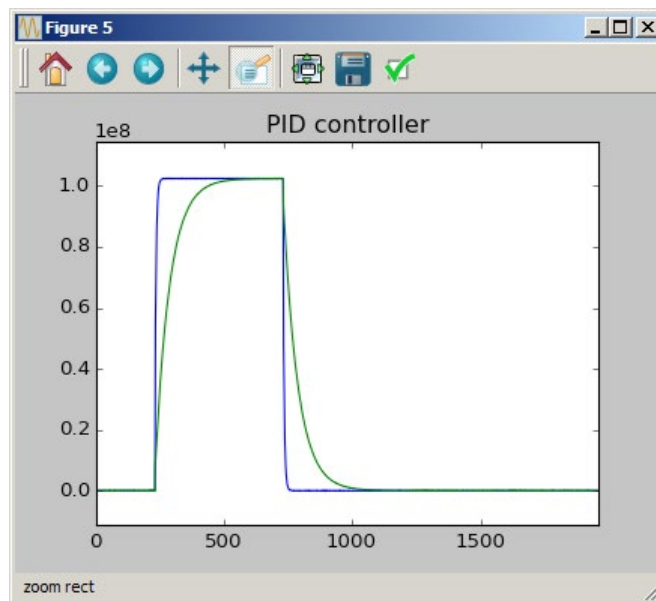


Figure 6

EXTERNAL CONNECTIONS

Connections

P1: (Reverse side of board) - HSMC digital interface. 3.3V CMOS digital signals to and from the DACs and ADCs, as well as auxiliary signals. Also provides 3.3V and 12V power from the FPGA board to the DC2390.

J4, J6: AIN+1, AIN+2. $\pm 10V$ analog inputs. Onboard signal conditioning converts the $\pm 10V$, single-ended input to a $\pm 5V$, fully-differential signal at the ADC inputs.

J2, J3: DAC_OUT1, DAC_OUT2. $\pm 10V$ analog outputs from the onboard DACs.

J1: QuikEval™ master port with 3.3V logic levels. Allows control of auxiliary QuikEval compatible demo boards for various experiments by emulating a Linduino (DC2026) controller.

Jumpers

JP5: Boost / Inverting regulator control. Enables / disables the onboard $\pm 15V$ supplies. Default: ON

JP9, JP10: SEL0, SEL1 - configures downsample factor (DF) of certain LTC2500 family devices that are not configured serially (such as LTC2508, LTC2512) which may be included on future assembly types. Must be set to 0, 0 for DC2390A-A, which is populated with the LTC2500-32.

JP2: EEPROM write protection for onboard ID / general-purpose EEPROMs. Default: EN

JP1: Distortion Correction. Sums 1/128 of the output from DAC_OUT2 into DAC_OUT1. For experiments involving correction of DAC_OUT1's distortion or increasing resolution. Default: OUT

JP11: V^+ Connection. Allows the boost output from the boost / inverting converter to be disconnected from the circuit if V^+ is driven from an external supply. Default: Jumper soldered in.

JP6: V_{IN} Connection. Allows the 12V supply from the HSMC connector to be disconnected such that V_{IN} can be supplied externally. Default: Jumper soldered in.

JP7, JP8: AMPV⁺, AMPV⁻ connections. Allows the supply for the ADC signal conditioning amplifiers to be supplied externally. Default: Jumpers soldered in.

Turrets

V^+ , GND, V^- : $\pm 15V$ supply. Measure the output of the onboard boost/ inverting converters at these points. May be powered externally by setting JP5 to OFF and removing JP11.

AMPV⁺, GND, AMPV⁻: Supply voltages for ADC front-end amplifiers. May be powered externally by removing JP7, JP8.

V_{IN} , GND: Main 12V supply, switched output from onboard hot swap controller. May be supplied externally by removing JP6.

+2.5V: Regulated 2.5V supply for ADCs. Measure only, do not apply power.

+3.3V: Supply for onboard clock circuitry and ADC logic. Normally supplied from the FPGA board via P1. May be powered externally by removing F1.

+5V, -5V: Regulated supplies for DAC circuitry. Measure only, do not apply power.

GND: Two extra ground turrets can be used for power or measurement connections.

VREF1, VREF2: Onboard 5V reference outputs. Measure only, do not apply power.

MODIFICATION GUIDELINES

DC2390 is designed to be easily modified to test various application circuits. This section details the operation of several of the board's subcircuits, with guidelines on possible modifications. Figure 7 shows a simplified block diagram of the subcircuits for reference.

ADC SIGNAL CONDITIONING

The default ADC signal conditioning circuit accepts a $\pm 10V$, single-ended input. Refer to Design Note 1032 for details on the operation of this circuit.

Differential $\pm 10V$ inputs

This circuit can be converted to a differential $\pm 10V$ input by making the following modifications:

Remove R91, R110

Install zero Ω in R90, R109

Install LT1468CS8 in U14, U19

Install 49.9 Ω in R88, R108

Install 3300pF in C51, C76

Basic Buffered Inputs

Another useful configuration is a basic buffer. This allows the testing of external signal conditioning circuits (gain stages, level-shifting, filtering, etc.) without considering their ability to drive the switched-capacitor inputs of the ADC. Make the following modifications:

Disconnect AMPV⁺, AMPV⁻ supplies by removing JP7, JP8.

Remove U18, U13.

Install LT6202CS8 in U13, U14, U18, U19.

Install 0.1 μF , 50V in C50, C53, C75, C78

Remove R91, R110

Install zero Ω in R90, R109

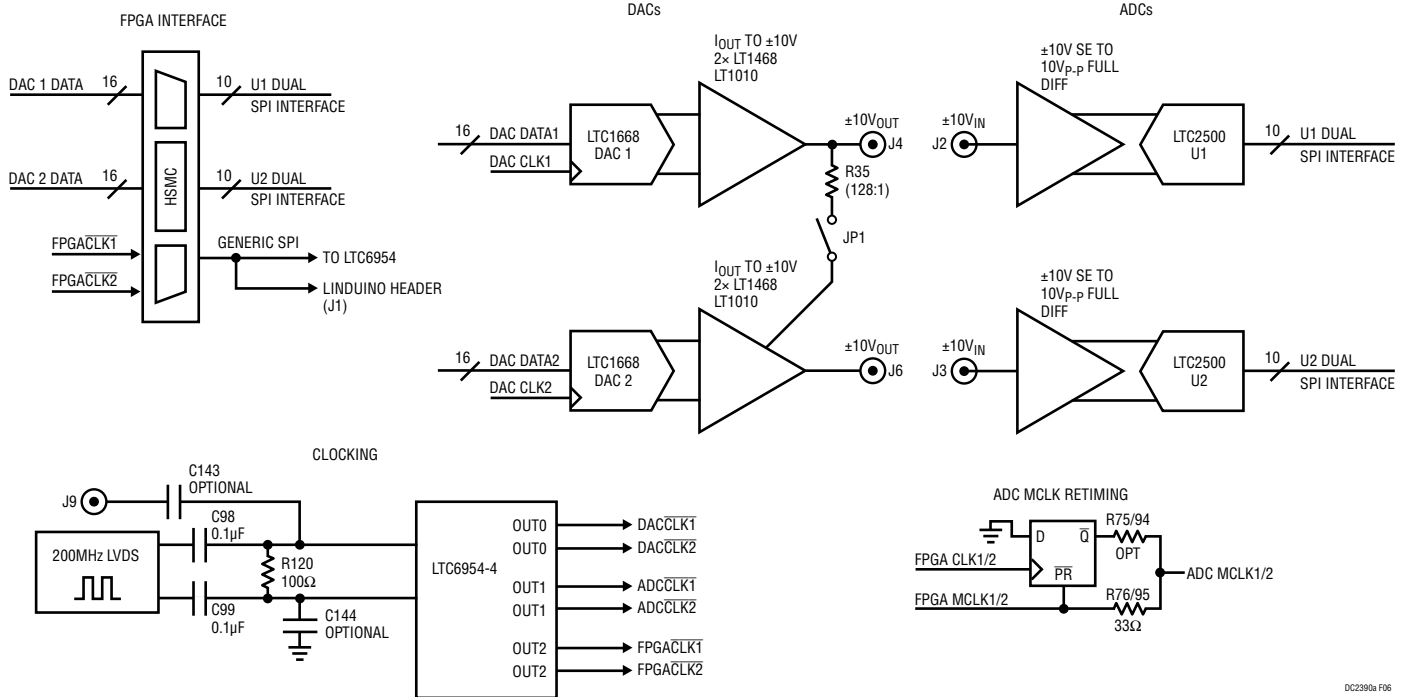


Figure 7. DC2390 Circuit Block Diagram

DC2390a F06

MODIFICATION GUIDELINES

Install 49.9 Ω in R88, R108

Install 3300pF in C51, C76

Remove R84, R85, R102, R104

Install zero Ω in R156, R157, R160, R161

Install 6800pF, NPO type, in C139, C140, C141, C142

CLOCKING

An onboard 200MHz clock feeds an LTC6954 low phase noise, triple output clock distribution divider/driver. The default test script sets the output frequencies to 50MHz, with a three cycle delay on the DAC clock in order to meet the hold time requirement.

An external clock may be provided to J9 (SMA, not installed) by removing C98, C99 and installing 0.1 μ F capacitors in C143, C144 positions. The externally applied clock must have a signal level of 0.2 to 1.5V_{p-p}. Refer to the LTC6954 data sheet for details on setting divide ratios and delays.

By default, the ADC MCLK signals originate from the FPGA. These may be retimed by the LTC6954 by removing R76, R95 and installing R75, R94. (This requires modification of the FPGA code.)

POWER

The default power configuration is to draw 3.3V and 12V power from the host FPGA board through the HSMC connector. Onboard regulators provide +15V, -15V, +5V, -5V and 2.5V for the various subcircuits.

Power for the front end amplifiers (U13, U14, U18, U19) can be disconnected from the \pm 15V supplies by removing JP7, JP8. Power can then be connected to the AMPV⁺, GND, AMPV⁻ turret posts at the lower edge of the board.

An external, low noise \pm 15V supply may be connected by removing JP11 and setting JP5 to the OFF position.

An external 12V V_{IN} supply may be applied to J8 (not installed) by removing JP6 (which disconnects the 12V supply from the HSMC connector.)

DEMO MANUAL DC2390A

DEMONSTRATION BOARD IMPORTANT NOTICE

Linear Technology Corporation (LTC) provides the enclosed product(s) under the following **AS IS** conditions:

This demonstration board (DEMO BOARD) kit being sold or provided by Linear Technology is intended for use for **ENGINEERING DEVELOPMENT OR EVALUATION PURPOSES ONLY** and is not provided by LTC for commercial use. As such, the DEMO BOARD herein may not be complete in terms of required design-, marketing-, and/or manufacturing-related protective considerations, including but not limited to product safety measures typically found in finished commercial goods. As a prototype, this product does not fall within the scope of the European Union directive on electromagnetic compatibility and therefore may or may not meet the technical requirements of the directive, or other regulations.

If this evaluation kit does not meet the specifications recited in the DEMO BOARD manual the kit may be returned within 30 days from the date of delivery for a full refund. **THE FOREGOING WARRANTY IS THE EXCLUSIVE WARRANTY MADE BY THE SELLER TO BUYER AND IS IN LIEU OF ALL OTHER WARRANTIES, EXPRESSED, IMPLIED, OR STATUTORY, INCLUDING ANY WARRANTY OF MERCHANTABILITY OR FITNESS FOR ANY PARTICULAR PURPOSE. EXCEPT TO THE EXTENT OF THIS INDEMNITY, NEITHER PARTY SHALL BE LIABLE TO THE OTHER FOR ANY INDIRECT, SPECIAL, INCIDENTAL, OR CONSEQUENTIAL DAMAGES.**

The user assumes all responsibility and liability for proper and safe handling of the goods. Further, the user releases LTC from all claims arising from the handling or use of the goods. Due to the open construction of the product, it is the user's responsibility to take any and all appropriate precautions with regard to electrostatic discharge. Also be aware that the products herein may not be regulatory compliant or agency certified (FCC, UL, CE, etc.).

No License is granted under any patent right or other intellectual property whatsoever. **LTC assumes no liability for applications assistance, customer product design, software performance, or infringement of patents or any other intellectual property rights of any kind.**

LTC currently services a variety of customers for products around the world, and therefore this transaction **is not exclusive**.

Please read the DEMO BOARD manual prior to handling the product. Persons handling this product must have electronics training and observe good laboratory practice standards. **Common sense is encouraged.**

This notice contains important safety information about temperatures and voltages. For further safety concerns, please contact a LTC application engineer.

Mailing Address:

Linear Technology
1630 McCarthy Blvd.
Milpitas, CA 95035

Copyright © 2004, Linear Technology Corporation



Компания «ЭлектроПласт» предлагает заключение долгосрочных отношений при поставках импортных электронных компонентов на взаимовыгодных условиях!

Наши преимущества:

- Оперативные поставки широкого спектра электронных компонентов отечественного и импортного производства напрямую от производителей и с крупнейших мировых складов;
- Поставка более 17-ти миллионов наименований электронных компонентов;
- Поставка сложных, дефицитных, либо снятых с производства позиций;
- Оперативные сроки поставки под заказ (от 5 рабочих дней);
- Экспресс доставка в любую точку России;
- Техническая поддержка проекта, помощь в подборе аналогов, поставка прототипов;
- Система менеджмента качества сертифицирована по Международному стандарту ISO 9001;
- Лицензия ФСБ на осуществление работ с использованием сведений, составляющих государственную тайну;
- Поставка специализированных компонентов (Xilinx, Altera, Analog Devices, Intersil, Interpoint, Microsemi, Aeroflex, Peregrine, Syfer, Eurofarad, Texas Instrument, Miteq, Cobham, E2V, MA-COM, Hittite, Mini-Circuits, General Dynamics и др.);

Помимо этого, одним из направлений компании «ЭлектроПласт» является направление «Источники питания». Мы предлагаем Вам помощь Конструкторского отдела:

- Подбор оптимального решения, техническое обоснование при выборе компонента;
- Подбор аналогов;
- Консультации по применению компонента;
- Поставка образцов и прототипов;
- Техническая поддержка проекта;
- Защита от снятия компонента с производства.



Как с нами связаться

Телефон: 8 (812) 309 58 32 (многоканальный)

Факс: 8 (812) 320-02-42

Электронная почта: org@eplast1.ru

Адрес: 198099, г. Санкт-Петербург, ул. Калинина, дом 2, корпус 4, литера А.