

## FEATURES

Extreme high temperature operation up to 210°C

Latch-up proof

JESD78D Class II rating

Low leakage

Ultralow capacitance and charge injection

Source capacitance, off: 2.9 pF at ±15 V dual supply

Drain capacitance, off: 34 pF at ±15 V dual supply

Charge injection: 0.2 pC at ±15 V dual supply and  
+12 V single supply

Low on resistance: 290 Ω typical for dual supply at 210°C  
±9 V to ±22 V dual-supply operation

9 V to 40 V single-supply operation

48 V supply maximum rating

Fully specified at ±15 V, ±20 V, +12 V, and +36 V

V<sub>SS</sub> to V<sub>DD</sub> analog signal range

## APPLICATIONS

Downhole drilling and instrumentation

Avionics

Heavy industrial

High temperature environments

## GENERAL DESCRIPTION

The **ADG5298** is a latch-up proof, monolithic, complementary metal-oxide semiconductor (CMOS) analog multiplexer designed for operation up to 210°C. The **ADG5298** switches one of eight inputs to a common output, as determined by the 3-bit binary address lines, A0, A1, and A2.

An EN input enables or disables the device. When EN is disabled, all channels switch off. The ultralow capacitance and charge injection of this switch makes it an ideal solution for data acquisition and sample-and-hold applications, where low glitch and fast settling are required.

The switch conducts equally well in both directions when on, and it has an input signal range that extends to the power supplies. In the off condition, signal levels up to the supplies are blocked.

This multiplexer is available in a 16-lead ceramic flat package (FLATPACK) and a 16-lead ceramic flat package with reverse formed gullwing leads (FLATPACK\_RF). Both packages are designed for robustness at extreme temperatures and are qualified for up to 1000 hours of operation at the maximum temperature rating.

The **ADG5298** is a member of a growing series of high temperature qualified products offered by Analog Devices, Inc. For a complete selection table of available high temperature products, see the high temperature product list and qualification data available at [www.analog.com/hightemp](http://www.analog.com/hightemp).

Rev. 0

[Document Feedback](#)

Information furnished by Analog Devices is believed to be accurate and reliable. However, no responsibility is assumed by Analog Devices for its use, nor for any infringements of patents or other rights of third parties that may result from its use. Specifications subject to change without notice. No license is granted by implication or otherwise under any patent or patent rights of Analog Devices. Trademarks and registered trademarks are the property of their respective owners.

## FUNCTIONAL BLOCK DIAGRAM

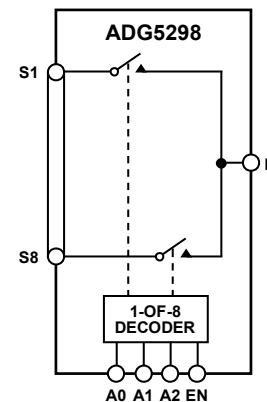


Figure 1.

## PRODUCT HIGHLIGHTS

1. Trench Isolation Guards Against Latch-Up and Minimizes Parasitic Leakage.  
A dielectric trench separates the P channel and N channel transistors to prevent latch-up even under severe overvoltage conditions.
2. Achieved JESD78D Class II rating.  
The **ADG5298** was stressed to ±500 mA with a 10 ms pulse at the maximum temperature of the device (210°C).
3. 0.2 pC Charge Injection.
4. Dual-Supply Operation.  
For applications where the analog signal is bipolar, the **ADG5298** can operate from dual supplies of up to ±22 V.
5. Single-Supply Operation.  
For applications where the analog signal is unipolar, the **ADG5298** can operate from a single rail power supply of up to 40 V.
6. 3 V Logic-Compatible Digital Inputs.  
V<sub>INH</sub> = 2.0 V, V<sub>INL</sub> = 0.8 V.
7. No Logic Power Supply (V<sub>L</sub>) Required.

**TABLE OF CONTENTS**

Features .....	1	Thermal Resistance .....	7
Applications.....	1	ESD Caution.....	7
General Description .....	1	Pin Configurations and Function Descriptions .....	8
Functional Block Diagram .....	1	Typical Performance Characteristics .....	9
Product Highlights .....	1	Test Circuits.....	14
Revision History .....	2	Terminology .....	16
Specifications.....	3	Theory of Operation .....	17
±15 V Dual-Supply.....	3	Trench Isolation.....	17
±20 V Dual Supply .....	4	Applications Information .....	18
12 V Single Supply.....	5	Outline Dimensions .....	19
36 V Single Supply.....	6	Ordering Guide .....	20
Continuous Current per Channel (Sx or D).....	6		
Absolute Maximum Ratings.....	7		

**REVISION HISTORY**

**9/2016—Revision 0: Initial Version**

## SPECIFICATIONS

## ±15 V DUAL-SUPPLY

$V_{DD} = +15\text{ V} \pm 10\%$ ,  $V_{SS} = -15\text{ V} \pm 10\%$ ,  $GND = 0\text{ V}$ , and  $-55^\circ\text{C} \leq T_A \leq +210^\circ\text{C}$ , unless otherwise noted.

Table 1.

Parameter	Symbol <sup>1</sup>	Test Conditions/Comments <sup>1</sup>	Min	Typ <sup>2</sup>	Max	Unit
<b>ANALOG SWITCH</b>						
Analog Signal Range			$V_{SS}$		$V_{DD}$	V
On Resistance	$R_{ON}$	Supply voltage ( $V_S$ ) = $\pm 10\text{ V}$ , drain source current ( $I_{DS}$ ) = $-1\text{ mA}$ , see Figure 31; for maximum $R_{ON}$ , $V_{DD} = +13.5\text{ V}$ , $V_{SS} = -13.5\text{ V}$		290	400	$\Omega$
On-Resistance Match Between Channels	$\Delta R_{ON}$	$V_S = \pm 10\text{ V}$ , $I_{DS} = -1\text{ mA}$		2.0	10	$\Omega$
On-Resistance Flatness	$R_{FLAT(ON)}$	$V_S = \pm 10\text{ V}$ , $I_{DS} = -1\text{ mA}$		60	130	$\Omega$
<b>LEAKAGE CURRENTS</b>						
Source Off Leakage	$I_S(\text{off})$	$V_{DD} = +16.5\text{ V}$ , $V_{SS} = -16.5\text{ V}$ $V_S = \pm 10\text{ V}$ , $V_D = \mp 10\text{ V}$ , see Figure 32	-8	$\pm 0.005$	+8	nA
Drain Off Leakage	$I_D(\text{off})$	$V_S = \pm 10\text{ V}$ , $V_D = \mp 10\text{ V}$ , see Figure 32	-60	$\pm 0.005$	+60	nA
Channel On Leakage	$I_D(\text{on})$ , $I_S(\text{on})$	$V_S = V_D = \pm 10\text{ V}$ , see Figure 30	-70	$\pm 0.01$	+70	nA
<b>DIGITAL INPUTS</b>						
Input High Voltage	$V_{INH}$		2.0			V
Input Low Voltage	$V_{INL}$				0.8	V
Input Current	$I_{INL}$ or $I_{INH}$	Input voltage ( $V_{IN}$ ) = ground voltage ( $V_{GND}$ ) or $V_{DD}$	-0.1	+0.002	+0.1	$\mu\text{A}$
Digital Input Capacitance	$C_{IN}$			3		pF
<b>DYNAMIC CHARACTERISTICS<sup>3</sup></b>						
Transition Time	$t_{TRANSITION}$	Load resistance ( $R_L$ ) = $300\ \Omega$ , load capacitance ( $C_L$ ) = $35\text{ pF}$ , $V_S = 10\text{ V}$ , see Figure 36		150	335	ns
On Time	$t_{ON(EN)}$	$R_L = 300\ \Omega$ , $C_L = 35\text{ pF}$ , $V_S = 10\text{ V}$ , see Figure 38		125	275	ns
Off Time	$t_{OFF(EN)}$	$R_L = 300\ \Omega$ , $C_L = 35\text{ pF}$ , $V_S = 10\text{ V}$ , see Figure 38		160	275	ns
Break-Before-Make Time Delay	$t_D$	$R_L = 300\ \Omega$ , $C_L = 35\text{ pF}$ , S1 voltage ( $V_{S1}$ ) = S2 voltage ( $V_{S2}$ ) = $10\text{ V}$ , see Figure 37	25	55		ns
Charge Injection	$Q_{INJ}$	$V_S = 0\text{ V}$ , $R_S = 0\ \Omega$ , $C_L = 1\text{ nF}$ , see Figure 39		0.2		pC
Off Isolation		$R_L = 50\ \Omega$ , $C_L = 5\text{ pF}$ , $f = 1\text{ MHz}$ , see Figure 34		86		dB
Channel to Channel Crosstalk		$R_L = 50\ \Omega$ , $C_L = 5\text{ pF}$ , $f = 1\text{ MHz}$ , see Figure 33		-80		dB
-3 dB Bandwidth		$R_L = 50\ \Omega$ , $C_L = 5\text{ pF}$ , see Figure 35		110		MHz
Source Capacitance, Off	$C_S(\text{off})$	$V_S = 0\text{ V}$ , frequency ( $f$ ) = $1\text{ MHz}$		2.9		pF
Drain Capacitance, Off	$C_D(\text{off})$	$V_S = 0\text{ V}$ , $f = 1\text{ MHz}$		34		pF
Source/Drain Capacitance, On	$C_D(\text{on})$ , $C_S(\text{on})$	$V_S = 0\text{ V}$ , $f = 1\text{ MHz}$		37		pF
<b>POWER REQUIREMENTS</b>						
Supply Current		$V_{DD} = +16.5\text{ V}$ , $V_{SS} = -16.5\text{ V}$				
Positive	$I_{DD}$	Digital inputs = $0\text{ V}$ or $5\text{ V}$ , see Figure 28		60	80	$\mu\text{A}$
Negative	$I_{SS}$	Digital inputs = $0\text{ V}$ or $5\text{ V}$ , see Figure 29		10	20	$\mu\text{A}$
Ground Current	$I_{GND}$	Digital inputs = $0\text{ V}$ or $5\text{ V}$		60	80	$\mu\text{A}$
Supply Range	$V_{DD}/V_{SS}$	$GND = 0\text{ V}$	$\pm 9$		$\pm 22$	V

<sup>1</sup> See the Terminology section.

<sup>2</sup>  $T_A = 25^\circ\text{C}$ , except for the analog switch and power requirements values, where  $T_A = 210^\circ\text{C}$ .

<sup>3</sup> Guaranteed by design, not subject to production test.

**±20 V DUAL SUPPLY**

$V_{DD} = +20\text{ V} \pm 10\%$ ,  $V_{SS} = -20\text{ V} \pm 10\%$ ,  $GND = 0\text{ V}$ , and  $-55^\circ\text{C} \leq T_A \leq +210^\circ\text{C}$ , unless otherwise noted.

Table 2.

Parameter	Symbol <sup>1</sup>	Test Conditions/Comments <sup>1</sup>	Min	Typ <sup>2</sup>	Max	Unit
<b>ANALOG SWITCH</b>						
Analog Signal Range			$V_{SS}$		$V_{DD}$	V
On Resistance	$R_{ON}$	$V_S = \pm 15\text{ V}$ , $I_{DS} = -1\text{ mA}$ , see Figure 31; for maximum $R_{ON}$ , $V_{DD} = +18\text{ V}$ , $V_{SS} = -18\text{ V}$		240	350	$\Omega$
On-Resistance Match Between Channels	$\Delta R_{ON}$	$V_S = \pm 15\text{ V}$ , $I_{DS} = -1\text{ mA}$		1.5	10	$\Omega$
On-Resistance Flatness	$R_{FLAT(ON)}$	$V_S = \pm 15\text{ V}$ , $I_{DS} = -1\text{ mA}$		55	110	$\Omega$
<b>LEAKAGE CURRENTS</b>						
Source Off Leakage	$I_S(\text{off})$	$V_{DD} = +22\text{ V}$ , $V_{SS} = -22\text{ V}$ $V_S = \pm 15\text{ V}$ , $V_D = \mp 15\text{ V}$ , see Figure 32	-8	±0.005	+8	nA
Drain Off Leakage	$I_D(\text{off})$	$V_S = \pm 15\text{ V}$ , $V_D = \mp 15\text{ V}$ , see Figure 32	-60	±0.005	+60	nA
Channel On Leakage	$I_D(\text{on})$ , $I_S(\text{on})$	$V_S = V_D = \pm 15\text{ V}$ , see Figure 30	-70	±0.01	+70	nA
<b>DIGITAL INPUTS</b>						
Input High Voltage	$V_{INH}$		2.0			V
Input Low Voltage	$V_{INL}$				0.8	V
Input Current	$I_{INL}$ or $I_{INH}$	$V_{IN} = V_{GND}$ or $V_{DD}$	-0.1	+0.002	+0.1	$\mu\text{A}$
Digital Input Capacitance	$C_{IN}$			3		pF
<b>DYNAMIC CHARACTERISTICS<sup>3</sup></b>						
Transition Time	$t_{TRANSITION}$	$R_L = 300\ \Omega$ , $C_L = 35\text{ pF}$ , $V_S = 10\text{ V}$ , see Figure 36		140	305	ns
On Time	$t_{ON(EN)}$	$R_L = 300\ \Omega$ , $C_L = 35\text{ pF}$ , $V_S = 10\text{ V}$ , see Figure 38		120	245	ns
Off Time	$t_{OFF(EN)}$	$R_L = 300\ \Omega$ , $C_L = 35\text{ pF}$ , $V_S = 10\text{ V}$ , see Figure 38		160	260	ns
Break-Before-Make Time Delay	$t_D$	$R_L = 300\ \Omega$ , $C_L = 35\text{ pF}$ , $V_{S1} = V_{S2} = 10\text{ V}$ , see Figure 37	20	45		ns
Charge Injection	$Q_{INJ}$	$V_S = 0\text{ V}$ , $R_S = 0\ \Omega$ , $C_L = 1\text{ nF}$ , see Figure 39		0.4		pC
Off Isolation		$R_L = 50\ \Omega$ , $C_L = 5\text{ pF}$ , $f = 1\text{ MHz}$ , see Figure 34		86		dB
Channel to Channel Crosstalk		$R_L = 50\ \Omega$ , $C_L = 5\text{ pF}$ , $f = 1\text{ MHz}$ , see Figure 33		-80		dB
-3 dB Bandwidth		$R_L = 50\ \Omega$ , $C_L = 5\text{ pF}$ , see Figure 35		121		MHz
Source Capacitance, Off	$C_S(\text{off})$	$V_S = 0\text{ V}$ , $f = 1\text{ MHz}$		2.8		pF
Drain Capacitance, Off	$C_D(\text{off})$	$V_S = 0\text{ V}$ , $f = 1\text{ MHz}$		33		pF
Source/Drain Capacitance, On	$C_D(\text{on})$ , $C_S(\text{on})$	$V_S = 0\text{ V}$ , $f = 1\text{ MHz}$		36		pF
<b>POWER REQUIREMENTS</b>						
Supply Current		$V_{DD} = +22\text{ V}$ , $V_{SS} = -22\text{ V}$				
Positive	$I_{DD}$	Digital inputs = 0 V or 5 V, see Figure 28		60	120	$\mu\text{A}$
Negative	$I_{SS}$	Digital inputs = 0 V or 5 V, see Figure 29		10	20	$\mu\text{A}$
Ground Current	$I_{GND}$	Digital inputs = 0 V or 5 V		60	120	$\mu\text{A}$
Supply Range	$V_{DD}/V_{SS}$	$GND = 0\text{ V}$	±9		±22	V

<sup>1</sup> See the Terminology section.

<sup>2</sup>  $T_A = 25^\circ\text{C}$ , except for the analog switch and power requirements values, where  $T_A = 210^\circ\text{C}$ .

<sup>3</sup> Guaranteed by design, not subject to production test.

**12 V SINGLE SUPPLY**

$V_{DD} = 12\text{ V} \pm 10\%$ ,  $V_{SS} = 0\text{ V}$ ,  $GND = 0\text{ V}$ , and  $-55^{\circ}\text{C} \leq T_A \leq +210^{\circ}\text{C}$ , unless otherwise noted.

**Table 3.**

Parameter	Symbol <sup>1</sup>	Test Conditions/Comments <sup>1</sup>	Min	Typ <sup>2</sup>	Max	Unit
<b>ANALOG SWITCH</b>						
Analog Signal Range			$V_{SS}$		$V_{DD}$	V
On Resistance	$R_{ON}$	$V_S = 0\text{ V to }10\text{ V}$ , $I_{DS} = -1\text{ mA}$ , see Figure 31; for maximum $R_{ON}$ , $V_{DD} = 10.8\text{ V}$ , $V_{SS} = 0\text{ V}$		650	800	$\Omega$
On-Resistance Match Between Channels	$\Delta R_{ON}$	$V_S = 0\text{ V to }10\text{ V}$ , $I_{DS} = -1\text{ mA}$		3	24	$\Omega$
On-Resistance Flatness	$R_{FLAT(ON)}$	$V_S = 0\text{ V to }10\text{ V}$ , $I_{DS} = -1\text{ mA}$		240	380	$\Omega$
<b>LEAKAGE CURRENTS</b>						
Source Off Leakage	$I_S(\text{off})$	$V_{DD} = 13.2\text{ V}$ , $V_{SS} = 0\text{ V}$ $V_S = 1\text{ V}/10\text{ V}$ , $V_D = 10\text{ V}/1\text{ V}$ , see Figure 32	-8	$\pm 0.005$	+8	nA
Drain Off Leakage	$I_D(\text{off})$	$V_S = 1\text{ V}/10\text{ V}$ , $V_D = 10\text{ V}/1\text{ V}$ , see Figure 32	-60	$\pm 0.005$	+60	nA
Channel On Leakage	$I_D(\text{on})$ , $I_S(\text{on})$	$V_S = V_D = 1\text{ V}/10\text{ V}$ , see Figure 30	-70	$\pm 0.01$	+70	nA
<b>DIGITAL INPUTS</b>						
Input High Voltage	$V_{INH}$		2.0			V
Input Low Voltage	$V_{INL}$				0.8	V
Input Current	$I_{INL}$ or $I_{INH}$	$V_{IN} = V_{GND}$ or $V_{DD}$	-0.1	+0.002	+0.1	$\mu\text{A}$
Digital Input Capacitance	$C_{IN}$			3		pF
<b>DYNAMIC CHARACTERISTICS<sup>3</sup></b>						
Transition Time	$t_{TRANSITION}$	$R_L = 300\ \Omega$ , $C_L = 35\text{ pF}$ , $V_S = 8\text{ V}$ , see Figure 36		200	490	ns
On Time	$t_{ON(EN)}$	$R_L = 300\ \Omega$ , $C_L = 35\text{ pF}$ , $V_S = 8\text{ V}$ , see Figure 38		180	435	ns
Off Time	$t_{OFF(EN)}$	$R_L = 300\ \Omega$ , $C_L = 35\text{ pF}$ , $V_S = 8\text{ V}$ , see Figure 38		165	305	ns
Break-Before-Make Time Delay	$t_D$	$R_L = 300\ \Omega$ , $C_L = 35\text{ pF}$ , $V_{S1} = V_{S2} = 8\text{ V}$ , see Figure 37	40	95		ns
Charge Injection	$Q_{INJ}$	$V_S = 6\text{ V}$ , $R_S = 0\ \Omega$ , $C_L = 1\text{ nF}$ , see Figure 39		0.2		pC
Off Isolation		$R_L = 50\ \Omega$ , $C_L = 5\text{ pF}$ , $f = 1\text{ MHz}$ , see Figure 34		-86		dB
Channel to Channel Crosstalk		$R_L = 50\ \Omega$ , $C_L = 5\text{ pF}$ , $f = 1\text{ MHz}$ , see Figure 33		-80		dB
-3 dB Bandwidth		$R_L = 50\ \Omega$ , $C_L = 5\text{ pF}$ , see Figure 35		95		MHz
Source Capacitance, Off	$C_S(\text{off})$	$V_S = 6\text{ V}$ , $f = 1\text{ MHz}$		3.3		pF
Drain Capacitance, Off	$C_D(\text{off})$	$V_S = 6\text{ V}$ , $f = 1\text{ MHz}$		38		pF
Source/Drain Capacitance, On	$C_D(\text{on})$ , $C_S(\text{on})$	$V_S = 6\text{ V}$ , $f = 1\text{ MHz}$		41		pF
<b>POWER REQUIREMENTS</b>						
Supply Current		$V_{DD} = 13.2\text{ V}$				
Positive	$I_{DD}$	Digital inputs = 0 V or 5 V, see Figure 28		50	75	$\mu\text{A}$
Negative	$I_{SS}$	Digital inputs = 0 V or 5 V, see Figure 29		7.5	15	$\mu\text{A}$
Ground Current	$I_{GND}$	Digital inputs = 0 V or 5 V		50	75	$\mu\text{A}$
Supply Range	$V_{DD}/V_{SS}$	$GND = 0\text{ V}$ , $V_{SS} = 0\text{ V}$	9		40	V

<sup>1</sup> See the Terminology section.

<sup>2</sup>  $T_A = 25^{\circ}\text{C}$ , except for the analog switch and power requirements values, where  $T_A = 210^{\circ}\text{C}$ .

<sup>3</sup> Guaranteed by design, not subject to production test.

**36 V SINGLE SUPPLY**

$V_{DD} = 36\text{ V} \pm 10\%$ ,  $V_{SS} = 0\text{ V}$ ,  $\text{GND} = 0\text{ V}$ , and  $-55^\circ\text{C} \leq T_A \leq +210^\circ\text{C}$ , unless otherwise noted.

Table 4.

Parameter	Symbol <sup>1</sup>	Test Conditions/ Comments <sup>1</sup>	Min	Typ <sup>2</sup>	Max	Unit
<b>ANALOG SWITCH</b>						
Analog Signal Range			$V_{SS}$		$V_{DD}$	V
On Resistance	$R_{ON}$	$V_S = 0\text{ V to }30\text{ V}$ , $I_{DS} = -1\text{ mA}$ , see Figure 31; for maximum $R_{ON}$ , $V_{DD} = 32.4\text{ V}$ , $V_{SS} = 0\text{ V}$		260	350	$\Omega$
On-Resistance Match Between Channels	$\Delta R_{ON}$	$V_S = 0\text{ V to }30\text{ V}$ , $I_{DS} = -1\text{ mA}$		1.5	10	$\Omega$
On-Resistance Flatness	$R_{FLAT(ON)}$	$V_S = 0\text{ V to }30\text{ V}$ , $I_{DS} = -1\text{ mA}$		55	110	$\Omega$
<b>LEAKAGE CURRENTS</b>						
Source Off Leakage	$I_S(\text{off})$	$V_{DD} = 13.2\text{ V}$ , $V_{SS} = 0\text{ V}$ $V_S = 1\text{ V}/10\text{ V}$ , $V_D = 10\text{ V}/1\text{ V}$ , see Figure 32	-8	$\pm 0.005$	+8	nA
Drain Off Leakage	$I_D(\text{off})$	$V_S = 1\text{ V}/10\text{ V}$ , $V_D = 10\text{ V}/1\text{ V}$ , see Figure 32	-60	$\pm 0.005$	+60	nA
Channel On Leakage	$I_D(\text{on})$ , $I_S(\text{on})$	$V_S = V_D = 1\text{ V}/10\text{ V}$ , see Figure 30	-70	$\pm 0.01$	+70	nA
<b>DIGITAL INPUTS</b>						
Input High Voltage	$V_{INH}$		2.0			V
Input Low Voltage	$V_{INL}$				0.8	V
Input Current	$I_{INL}$ or $I_{INH}$	$V_{IN} = V_{GND}$ or $V_{DD}$	-0.1	+0.002	+0.1	$\mu\text{A}$
Digital Input Capacitance	$C_{IN}$			3		pF
<b>DYNAMIC CHARACTERISTICS<sup>3</sup></b>						
Transition Time	$t_{TRANSITION}$	$R_L = 300\ \Omega$ , $C_L = 35\text{ pF}$ , $V_S = 18\text{ V}$ , see Figure 36		170	320	ns
On Time	$t_{ON(EN)}$	$R_L = 300\ \Omega$ , $C_L = 35\text{ pF}$ , $V_S = 18\text{ V}$ , see Figure 38		150	265	ns
Off Time	$t_{OFF(EN)}$	$R_L = 300\ \Omega$ , $C_L = 35\text{ pF}$ , $V_S = 18\text{ V}$ , see Figure 38		180	265	ns
Break-Before-Make Time Delay	$t_D$	$R_L = 300\ \Omega$ , $C_L = 35\text{ pF}$ , $V_{S1} = V_{S2} = 18\text{ V}$ , see Figure 37	20	55		ns
Charge Injection	$Q_{INJ}$	$V_S = 6\text{ V}$ , $R_S = 0\ \Omega$ , $C_L = 1\text{ nF}$ , see Figure 39		0.3		pC
Off Isolation		$R_L = 50\ \Omega$ , $C_L = 5\text{ pF}$ , $f = 1\text{ MHz}$ , see Figure 34		-86		dB
Channel to Channel Crosstalk		$R_L = 50\ \Omega$ , $C_L = 5\text{ pF}$ , $f = 1\text{ MHz}$ , see Figure 33		-80		dB
-3 dB Bandwidth		$R_L = 50\ \Omega$ , $C_L = 5\text{ pF}$ , see Figure 35		105		MHz
Source Capacitance, Off	$C_S(\text{off})$	$V_S = 6\text{ V}$ , $f = 1\text{ MHz}$		2.7		pF
Drain Capacitance, Off	$C_D(\text{off})$	$V_S = 6\text{ V}$ , $f = 1\text{ MHz}$		32		pF
Source/Drain Capacitance, On	$C_D(\text{on})$ , $C_S(\text{on})$	$V_S = 6\text{ V}$ , $f = 1\text{ MHz}$		35		pF
<b>POWER REQUIREMENTS</b>						
Supply Current		$V_{DD} = 13.2\text{ V}$				
Positive	$I_{DD}$	Digital inputs = 0 V or 5 V, see Figure 28		80	155	$\mu\text{A}$
Negative	$I_{SS}$	Digital inputs = 0 V or 5 V, see Figure 29		10	20	$\mu\text{A}$
Ground Current	$I_{GND}$	Digital inputs = 0 V or 5 V		80	155	$\mu\text{A}$
Supply Range	$V_{DD}/V_{SS}$	$\text{GND} = 0\text{ V}$ , $V_{SS} = 0\text{ V}$	9		40	V

<sup>1</sup> See the Terminology section.

<sup>2</sup>  $T_A = 25^\circ\text{C}$ , except for the analog switch and power requirements values, where  $T_A = 210^\circ\text{C}$ .

<sup>3</sup> Guaranteed by design, not subject to production test.

**CONTINUOUS CURRENT PER CHANNEL (Sx OR D)**

Table 5.

Parameter	Test Conditions/Comments	175°C	210°C	Unit
<b>CONTINUOUS CURRENT (Sx OR D)</b>				
$V_{DD} = +15\text{ V}$ , $V_{SS} = -15\text{ V}$	$\theta_{JA} = 70^\circ\text{C/W}$	10	10	mA maximum
$V_{DD} = +20\text{ V}$ , $V_{SS} = -20\text{ V}$		10	10	mA maximum
$V_{DD} = 12\text{ V}$ , $V_{SS} = 0\text{ V}$		6	6	mA maximum
$V_{DD} = 36\text{ V}$ , $V_{SS} = 0\text{ V}$		10	10	mA maximum

## ABSOLUTE MAXIMUM RATINGS

$T_A = 25^\circ\text{C}$ , unless otherwise noted.

**Table 6.**

Parameter	Rating
$V_{DD}$ to $V_{SS}$	48 V
$V_{DD}$ to GND	-0.3 V to +48 V
$V_{SS}$ to GND	+0.3 V to -48 V
Analog Inputs <sup>1</sup>	$V_{SS} - 0.3\text{ V}$ to $V_{DD} + 0.3\text{ V}$ or 30 mA, whichever occurs first
Digital Inputs <sup>1</sup>	$V_{SS} - 0.3\text{ V}$ to $V_{DD} + 0.3\text{ V}$ or 30 mA, whichever occurs first
Peak Current, Sx or D Pins	31 mA (pulsed at 1 ms, 10% duty cycle maximum)
Continuous Current, Sx or D Pins <sup>2</sup>	Data + 5%
Temperature Range	-55°C to +210°C
Junction Temperature	212°C
Reflow Soldering Peak Temperature, Pb Free	260°C (+ 0°C/- 5°C)

<sup>1</sup> Overvoltages at the Ax, EN, Sx, or D pins are clamped by internal diodes. Limit the current to the maximum ratings given.

<sup>2</sup> See Table 5.

Stresses at or above those listed under Absolute Maximum Ratings may cause permanent damage to the product. This is a stress rating only; functional operation of the product at these or any other conditions above those indicated in the operational section of this specification is not implied. Operation beyond the maximum operating conditions for extended periods may affect product reliability.

Only one absolute maximum rating can be applied at any one time.

## THERMAL RESISTANCE

Thermal performance is directly linked to printed circuit board (PCB) design and operating environment. Careful attention to PCB thermal design is required.

**Table 7. Thermal Resistance**

Package Type	$\theta_{JA}$	$\theta_{JC}$	Unit
F-16-1 <sup>1</sup>	70	22	°C/W
FR-16-1 <sup>1</sup>	70	10	°C/W

<sup>1</sup> Thermal impedance simulated values are based on JEDEC 2s2p thermal test board. See JEDEC JESD51.

## ESD CAUTION



**ESD (electrostatic discharge) sensitive device.** Charged devices and circuit boards can discharge without detection. Although this product features patented or proprietary protection circuitry, damage may occur on devices subjected to high energy ESD. Therefore, proper ESD precautions should be taken to avoid performance degradation or loss of functionality.

### PIN CONFIGURATIONS AND FUNCTION DESCRIPTIONS

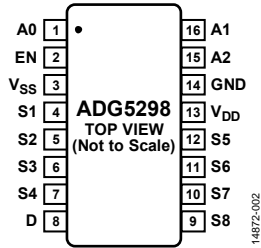


Figure 2. FLATPACK Pin Configuration

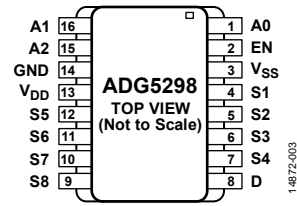


Figure 3. Reversed Formed FLATPACK Pin Configuration

Table 8. Pin Function Descriptions

Pin No.	Mnemonic	Description
1	A0	Logic Control Input 0.
2	EN	Active High Digital Input. When low, the device is disabled and all switches are off. When high, the Ax logic inputs determine the on switches.
3	V <sub>SS</sub>	Most Negative Power Supply Potential. In single-supply applications, this pin can be connected to ground.
4	S1	Source Terminal 1. This pin can be an input or an output.
5	S2	Source Terminal 2. This pin can be an input or an output.
6	S3	Source Terminal 3. This pin can be an input or an output.
7	S4	Source Terminal 4. This pin can be an input or an output.
8	D	Drain Terminal. This pin can be an input or an output.
9	S8	Source Terminal 8. This pin can be an input or an output.
10	S7	Source Terminal 7. This pin can be an input or an output.
11	S6	Source Terminal 6. This pin can be an input or an output.
12	S5	Source Terminal 5. This pin can be an input or an output.
13	V <sub>DD</sub>	Most Positive Power Supply Potential.
14	GND	Ground (0 V) Reference.
15	A2	Logic Control Input 2.
16	A1	Logic Control Input 1.

Table 9. Truth Table

A2	A1	A0	EN	On Switch
X <sup>1</sup>	X <sup>1</sup>	X <sup>1</sup>	0	None
0	0	0	1	S1
0	0	1	1	S2
0	1	0	1	S3
0	1	1	1	S4
1	0	0	1	S5
1	0	1	1	S6
1	1	0	1	S7
1	1	1	1	S8

<sup>1</sup> X is don't care.



### TYPICAL PERFORMANCE CHARACTERISTICS

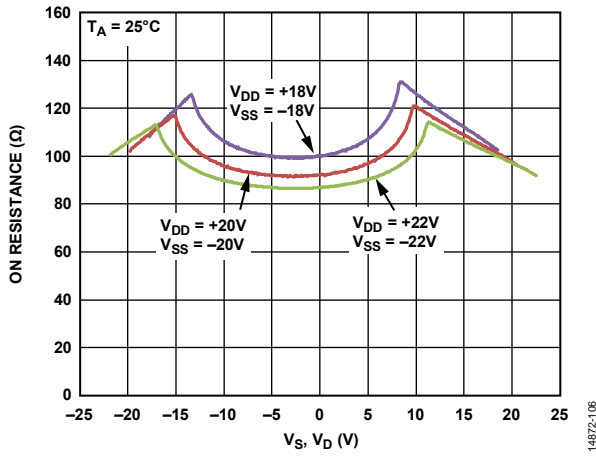


Figure 4. On Resistance ( $R_{ON}$ ) as a Function of  $V_S$ ,  $V_D$  ( $\pm 20$  V Dual Supply)

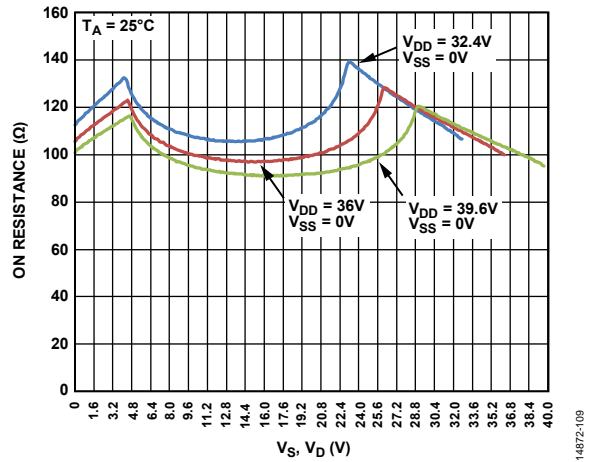


Figure 7. On Resistance ( $R_{ON}$ ) as a Function of  $V_S$ ,  $V_D$  (36 V Single Supply)

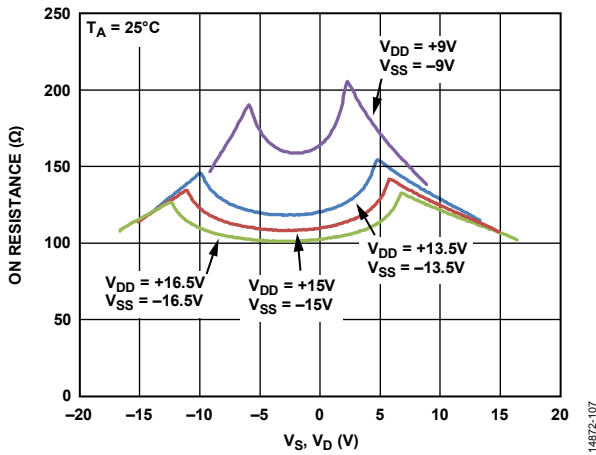


Figure 5. On Resistance ( $R_{ON}$ ) as a Function of  $V_S$ ,  $V_D$  ( $\pm 15$  V Dual Supply)

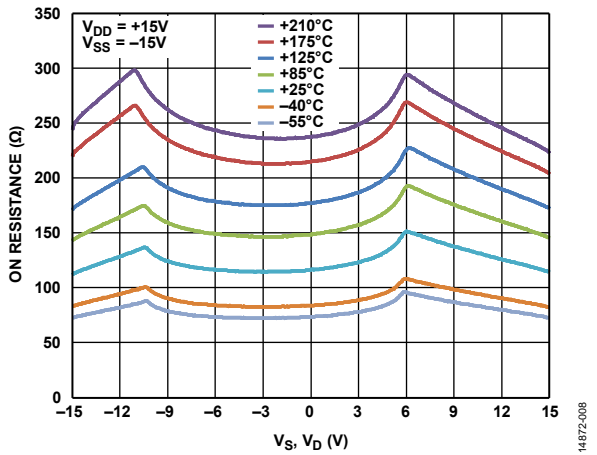


Figure 8. On Resistance ( $R_{ON}$ ) as a Function of  $V_S$ ,  $V_D$  for Various Temperatures,  $\pm 15$  V Dual Supply

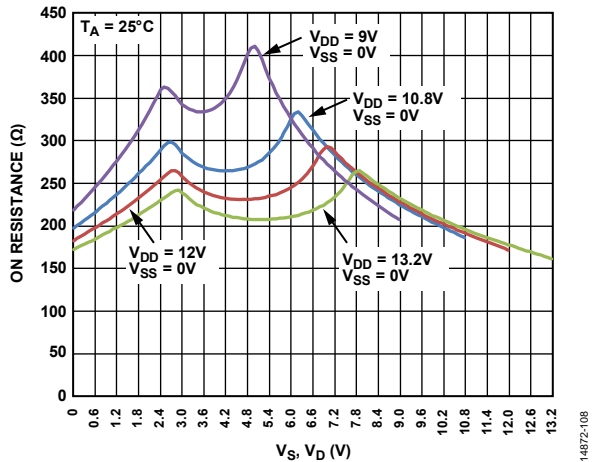


Figure 6. On Resistance ( $R_{ON}$ ) as a Function of  $V_S$ ,  $V_D$  (12 V Single Supply)

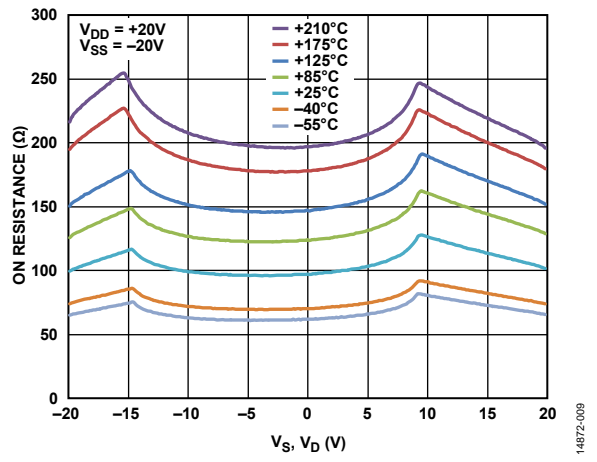


Figure 9. On Resistance ( $R_{ON}$ ) as a Function of  $V_S$ ,  $V_D$  for Various Temperatures,  $\pm 20$  V Dual Supply

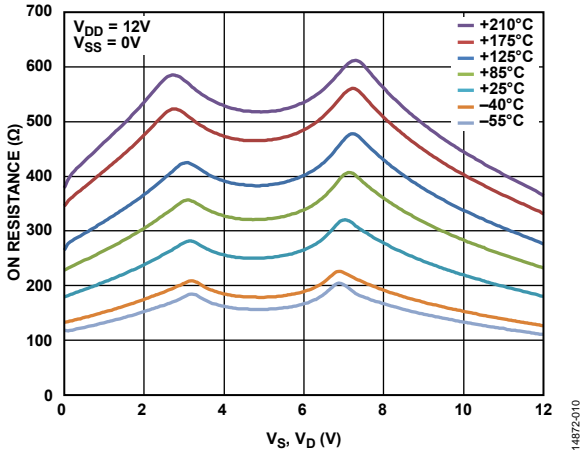


Figure 10. On Resistance ( $R_{ON}$ ) as a Function of  $V_S$ ,  $V_D$  for Various Temperatures, 12 V Single Supply

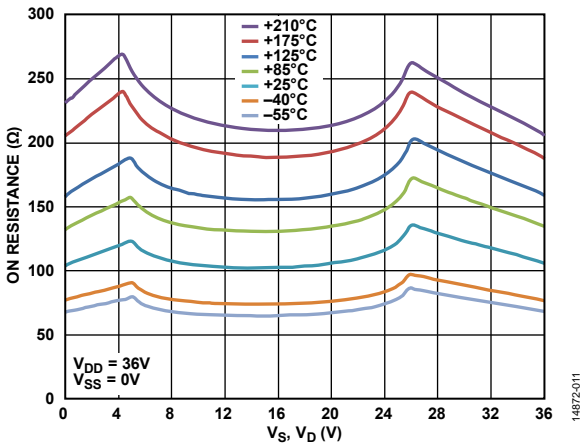


Figure 11. On Resistance ( $R_{ON}$ ) as a Function of  $V_S$ ,  $V_D$  for Various Temperatures, 36 V Single Supply

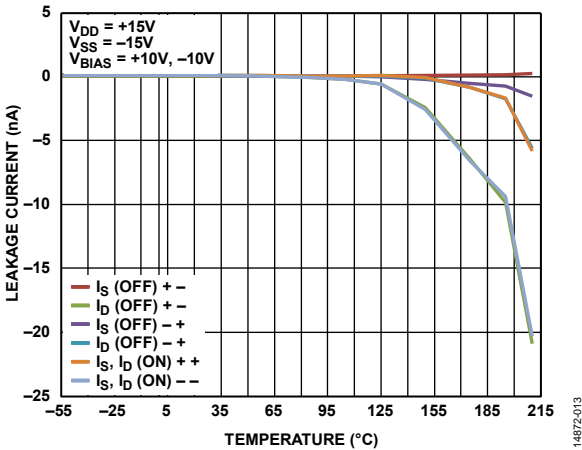


Figure 12. Leakage Currents vs. Temperature,  $\pm 15$  V Dual Supply

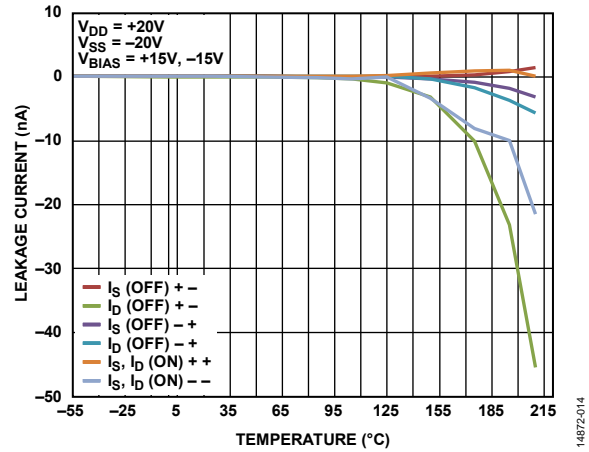


Figure 13. Leakage Current vs. Temperature,  $\pm 20$  V Dual Supply

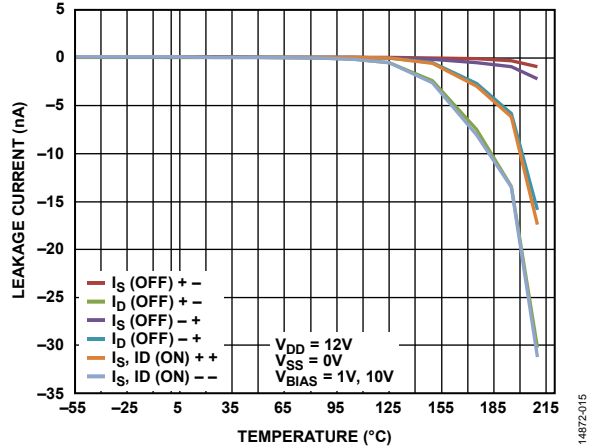


Figure 14. Leakage Current vs. Temperature, 12 V Single Supply

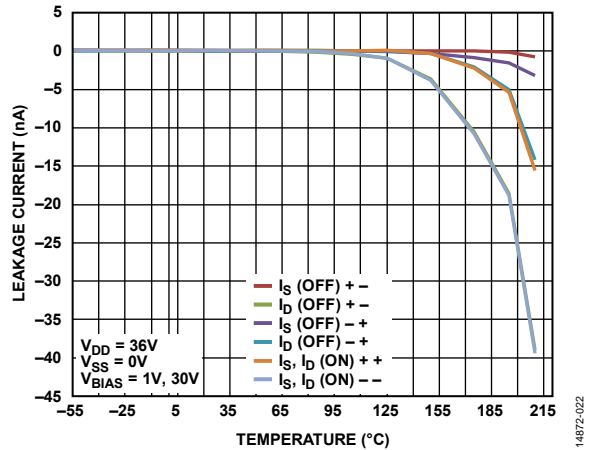


Figure 15. Leakage Current vs. Temperature, 36 V Single Supply

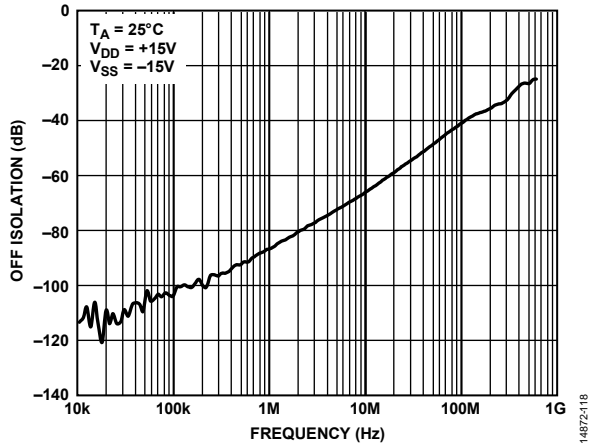


Figure 16. Off Isolation vs. Frequency, ±15 V Dual Supply

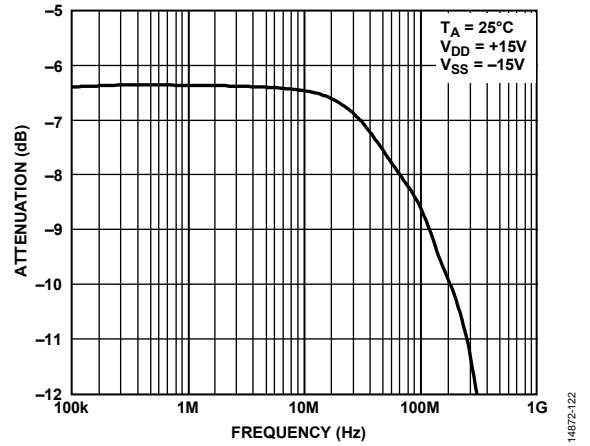


Figure 19. Attenuation vs. Frequency, ±15 V Dual Supply

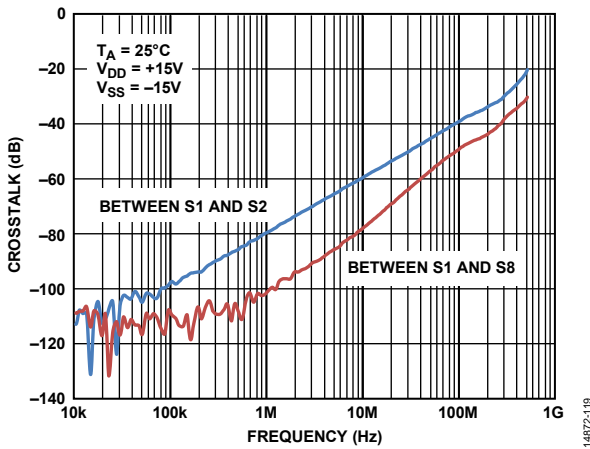


Figure 17. Crosstalk vs. Frequency, ±15 V Dual Supply

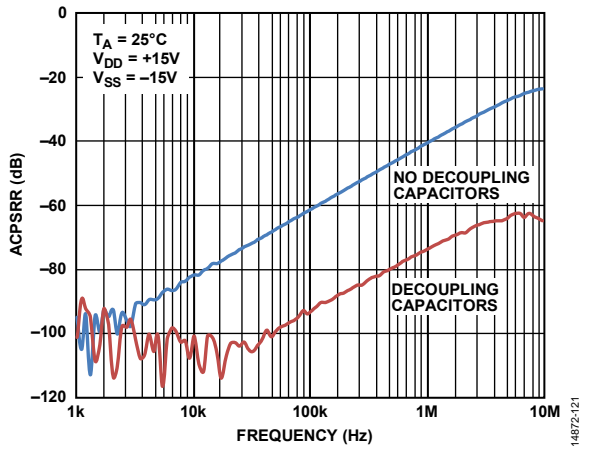


Figure 20. ACPSRR vs. Frequency, ±15 V Dual Supply

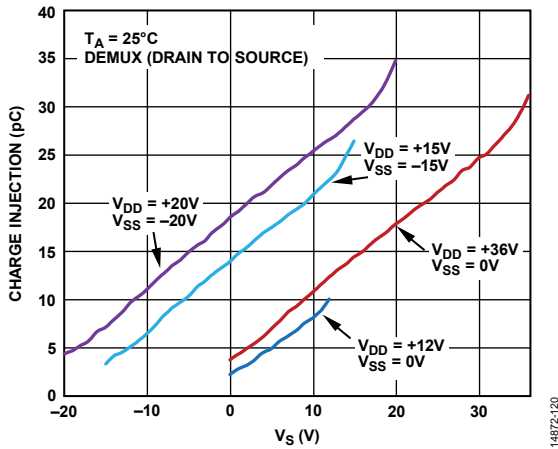


Figure 18. Charge Injection ( $Q_{IN}$ ) vs. Source Voltage ( $V_S$ ), Drain to Source

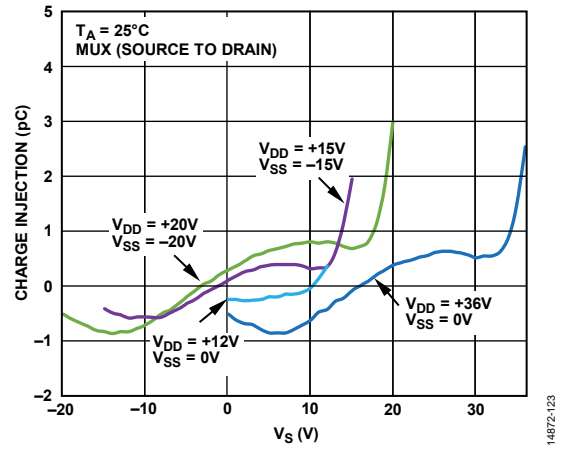


Figure 21. Charge Injection ( $Q_{IN}$ ) vs. Source Voltage ( $V_S$ ), Source to Drain

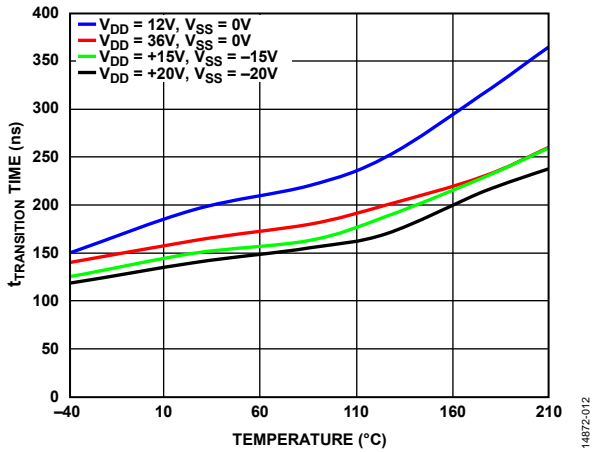


Figure 22.  $t_{\text{TRANSITION}}$  Time vs. Temperature

14872-012

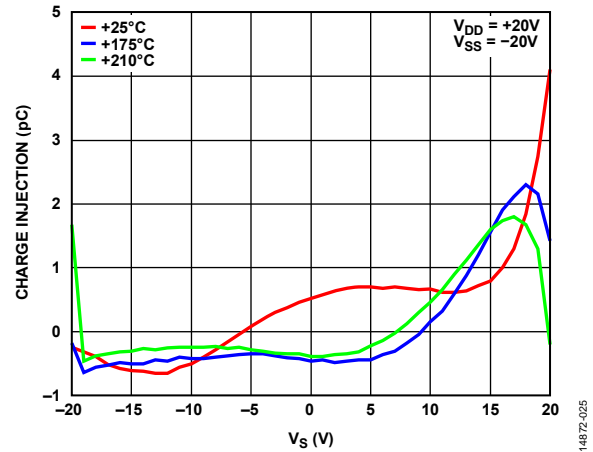


Figure 25. Charge Injection as a Function of  $V_S$  for Various Temperatures,  $\pm 20$  V Dual Supply

14872-025

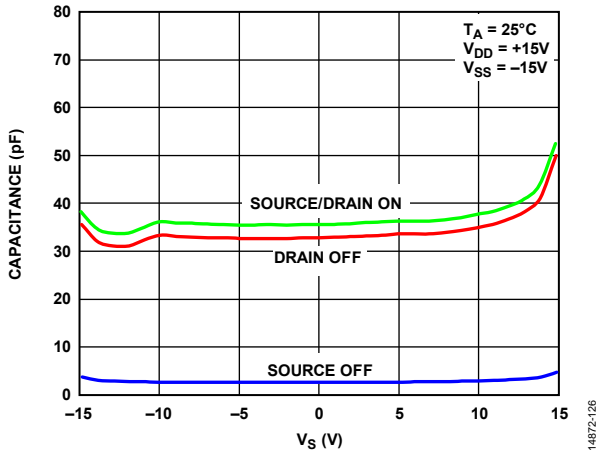


Figure 23. Capacitance vs. Source Voltage ( $V_S$ ),  $\pm 15$  V Dual Supply

14872-126

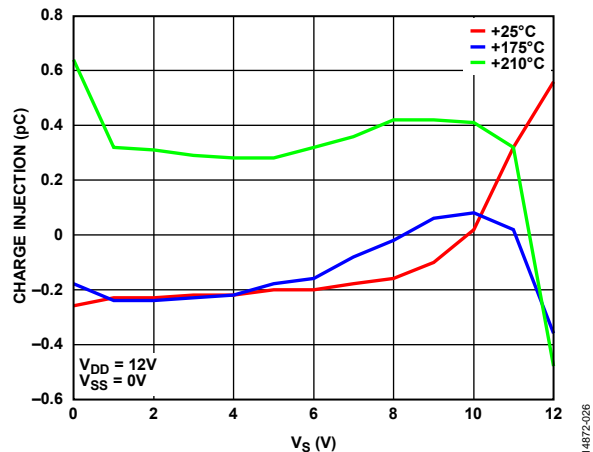


Figure 26. Charge Injection as a Function of  $V_S$  for Various Temperatures, 12 V Single Supply

14872-026

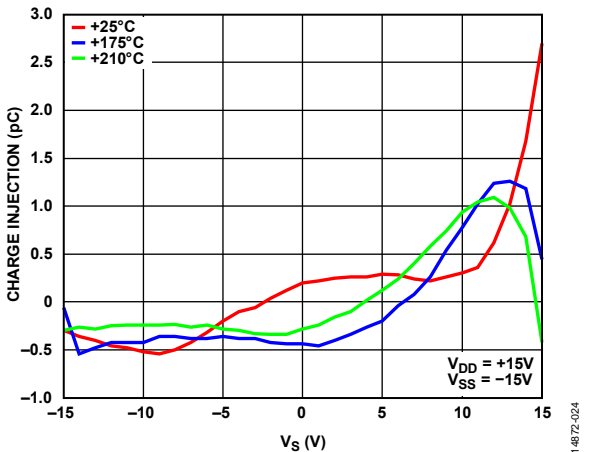


Figure 24. Charge Injection as a Function of  $V_S$  for Various Temperatures,  $\pm 15$  V Dual Supply

14872-024

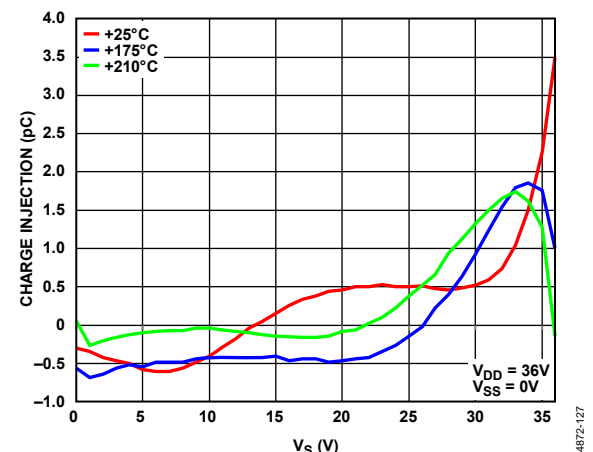


Figure 27. Charge Injection as a Function of  $V_S$  for Various Temperatures, 36 V Single Supply

14872-127

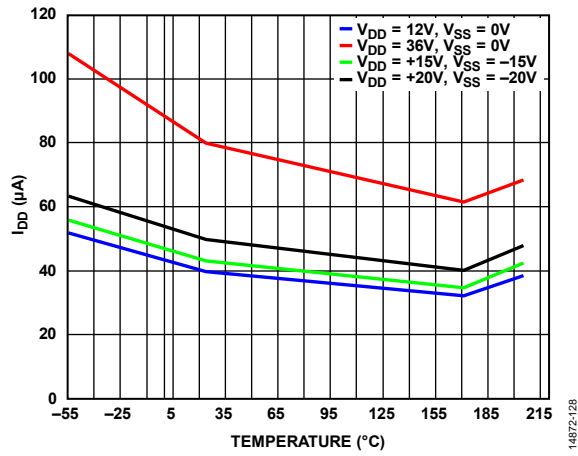


Figure 28.  $I_{DD}$  vs Temperature

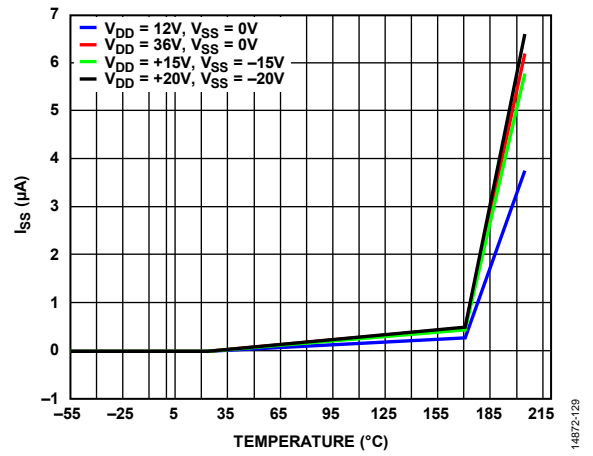


Figure 29.  $I_{SS}$  vs Temperature

TEST CIRCUITS

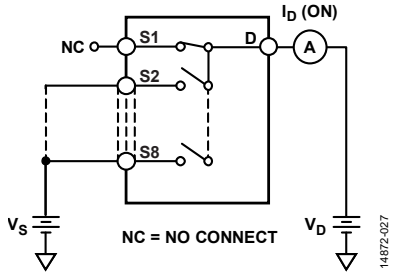
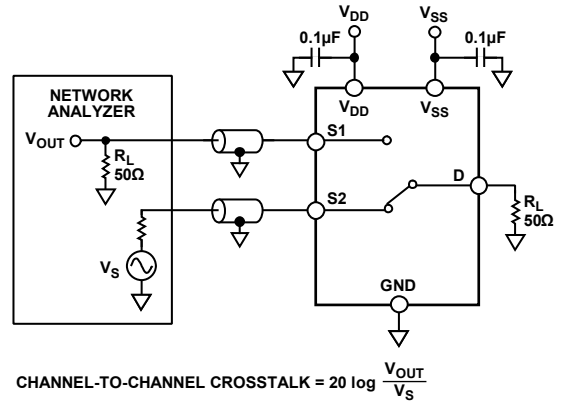


Figure 30. On Leakage



$$\text{CHANNEL-TO-CHANNEL CROSSTALK} = 20 \log \frac{V_{OUT}}{V_S}$$

Figure 33. Channel-to-Channel Crosstalk

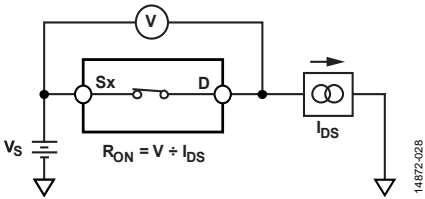
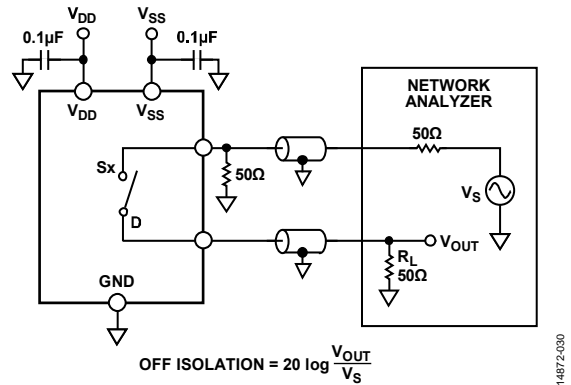


Figure 31. On Resistance



$$\text{OFF ISOLATION} = 20 \log \frac{V_{OUT}}{V_S}$$

Figure 34. Off Isolation

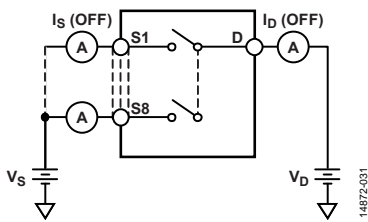
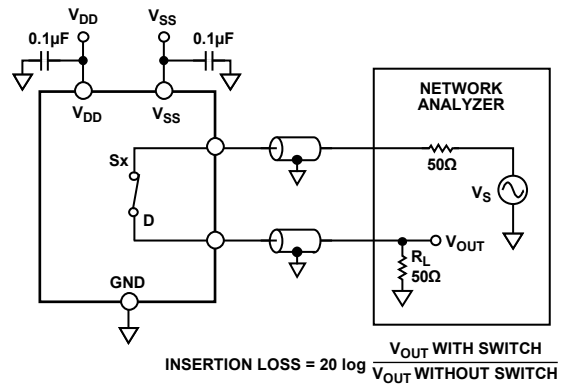


Figure 32. Off Leakage



$$\text{INSERTION LOSS} = 20 \log \frac{V_{OUT \text{ WITH SWITCH}}}{V_{OUT \text{ WITHOUT SWITCH}}}$$

Figure 35. -3 dB Bandwidth

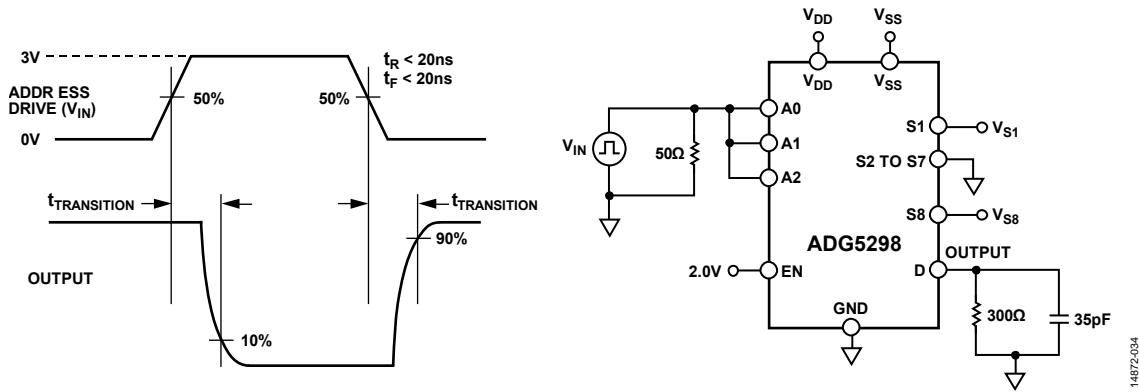


Figure 36. Address to Output Switching Times,  $t_{\text{TRANSITION}}$

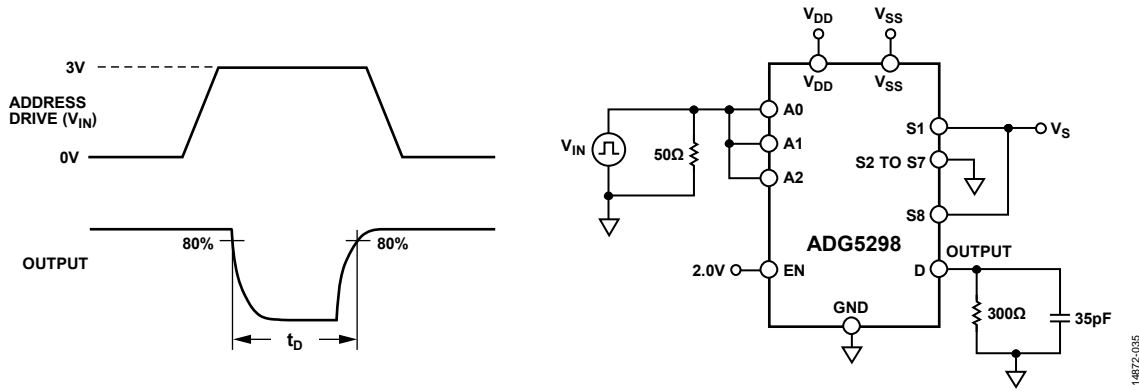


Figure 37. Break-Before-Make Time Delay,  $t_D$

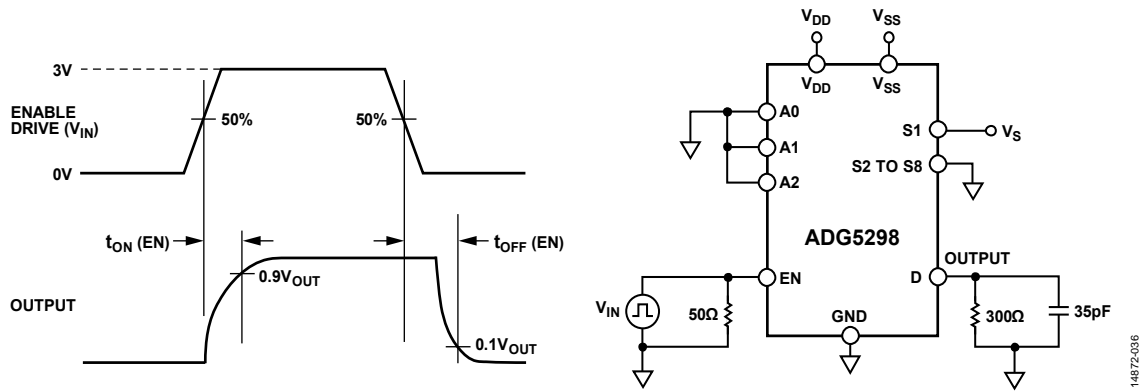


Figure 38. Enable Delay,  $t_{\text{ON}}(\text{EN})$ ,  $t_{\text{OFF}}(\text{EN})$

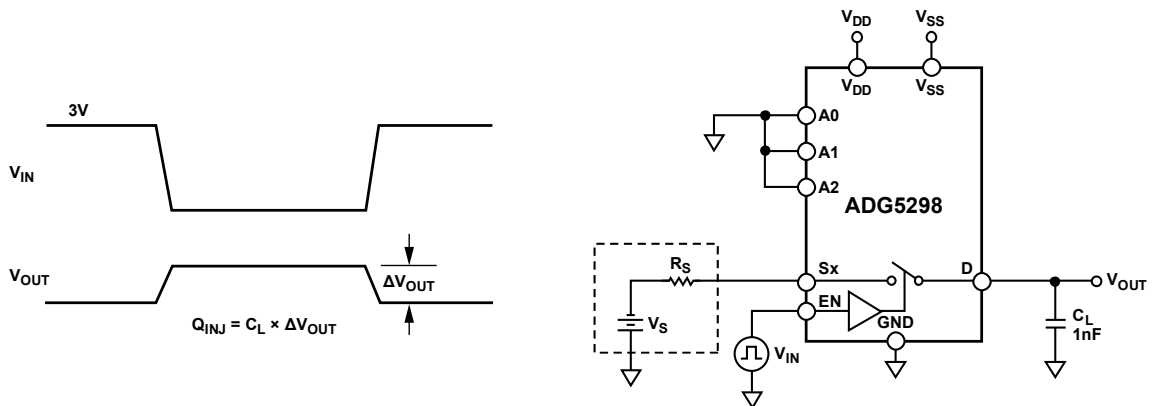


Figure 39. Charge Injection,  $Q_{\text{INJ}}$

## TERMINOLOGY

### $I_{DD}$

$I_{DD}$  represents the positive supply current.

### $I_{SS}$

$I_{SS}$  represents the negative supply current.

### $V_D, V_S$

$V_D$  and  $V_S$  represent the analog voltage on Terminal D and Terminal Sx, respectively.

### $R_{ON}$

$R_{ON}$  is the ohmic resistance between Terminal D and Terminal Sx.

### $\Delta R_{ON}$

$\Delta R_{ON}$  represents the difference between the  $R_{ON}$  of any two channels.

### $R_{FLAT(ON)}$

Flatness that is defined as the difference between the maximum and minimum value of on resistance measured over the specified analog signal range is represented by  $R_{FLAT(ON)}$ .

### $I_S$ (Off)

$I_S$  (off) is the source leakage current with the switch off.

### $I_D$ (Off)

$I_D$  (off) is the drain leakage current with the switch off.

### $I_D$ (On), $I_S$ (On)

$I_D$  (on) and  $I_S$  (on) represent the channel leakage currents with the switch on.

### $V_{INL}$

$V_{INL}$  is the maximum input voltage for Logic 0.

### $V_{INH}$

$V_{INH}$  is the minimum input voltage for Logic 1.

### $I_{INL}, I_{INH}$

$I_{INL}$  and  $I_{INH}$  represent the low and high input currents of the digital inputs.

### $C_D$ (Off)

$C_D$  (off) represents the off switch drain capacitance, which is measured with reference to ground.

### $C_S$ (Off)

$C_S$  (off) represents the off switch source capacitance, which is measured with reference to ground.

### $C_D$ (On), $C_S$ (On)

$C_D$  (on) and  $C_S$  (on) represent on switch capacitances, which are measured with reference to ground.

### $C_{IN}$

$C_{IN}$  represents the digital input capacitance.

### $t_{ON(EN)}$

$t_{ON(EN)}$  represents the delay time between the 50% and 90% points of the digital input and switch on condition.

### $t_{OFF(EN)}$

$t_{OFF(EN)}$  represents the delay time between the 50% and 90% points of the digital input and switch off condition.

### $t_{TRANSITION}$

$t_{TRANSITION}$  represents the delay time between the 50% and 90% points of the digital inputs and the switch on condition when switching from one address state to another.

### Break-Before-Make Time Delay ( $t_D$ )

$t_D$  represents the off time measured between the 80% point of both switches when switching from one address state to another.

### Off Isolation

Off isolation is a measure of unwanted signal coupling through an off channel.

### Charge Injection

Charge injection is a measure of the glitch impulse transferred from the digital input to the analog output during switching.

### Crosstalk

Crosstalk is a measure of unwanted signal that is coupled through from one channel to another as a result of parasitic capacitance.

### Bandwidth

Bandwidth is the frequency at which the output is attenuated by -3 dB.

### On Response

On response is the frequency response of the on switch.

### AC Power Supply Rejection Ratio (ACPSRR)

ACPSRR is a measure of the ability of a device to avoid coupling noise and spurious signals that appear on the supply voltage pin to the output of the switch. The dc voltage on the device is modulated by a sine wave of 0.62 V p-p. The ratio of the amplitude of signal on the output to the amplitude of the modulation is the ACPSRR.



## THEORY OF OPERATION

The [ADG5298](#) is a latch-up proof, bidirectional, 8:1 CMOS multiplexer that is designed to operate at very high temperatures. The device is controlled by four parallel digital inputs (EN, A0, A1, and A2). The EN input allows for the [ADG5298](#) to be enabled or disabled. When the [ADG5298](#) is disabled, the source pins (S1 to S8) disconnect from the drain pin (D). When the [ADG5298](#) is enabled, the address lines (A0, A1, and A2) can determine which source pin (S1 to S8) is connected to the drain pin (D).

### TRENCH ISOLATION

In the [ADG5298](#), an insulating oxide layer (trench) is placed between the negative channel metal-oxide semiconductor (NMOS) and the positive channel metal-oxide semiconductor (PMOS) transistors of each CMOS switch. Parasitic junctions, which occur between the transistors in junction isolated switches, are eliminated, and the result is a completely latch-up proof switch that has minimal leakage over temperature.

In junction isolation, the N well and P well of the PMOS and NMOS transistors form a diode that is reverse biased under normal operation. However, during overvoltage conditions, this diode can become forward-biased. A silicon controlled rectifier (SCR) type circuit is formed by the two transistors, causing a significant amplification of the current that, in turn, leads to latch-up. With trench isolation, this diode is removed, and the result is a latch-up proof switch.

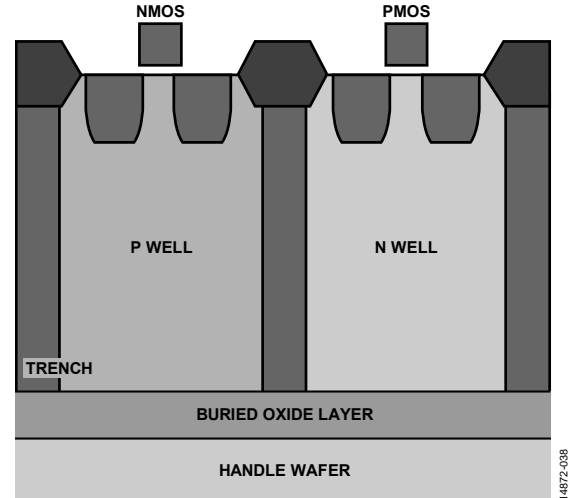


Figure 40. Trench Isolation

## APPLICATIONS INFORMATION

The ultralow capacitance and charge injection of this switch makes it an ideal solution for data acquisition and sample-and-hold applications, where low glitch and fast settling are required.

The [ADG5298](#) can operate in a wide ambient temperature range from  $-55^{\circ}\text{C}$  to  $+210^{\circ}\text{C}$ . Its wide range coupled with its

latch-up immune and low leakage features makes the [ADG5298](#) perfect for use in harsh environments, such as downhole drilling and avionics. The [ADG5298](#) has achieved a JESD78D Class II rating, handling stresses to  $\pm 500$  mA with a 10 ms pulse at the maximum operating temperature of the device ( $210^{\circ}\text{C}$ ).

OUTLINE DIMENSIONS

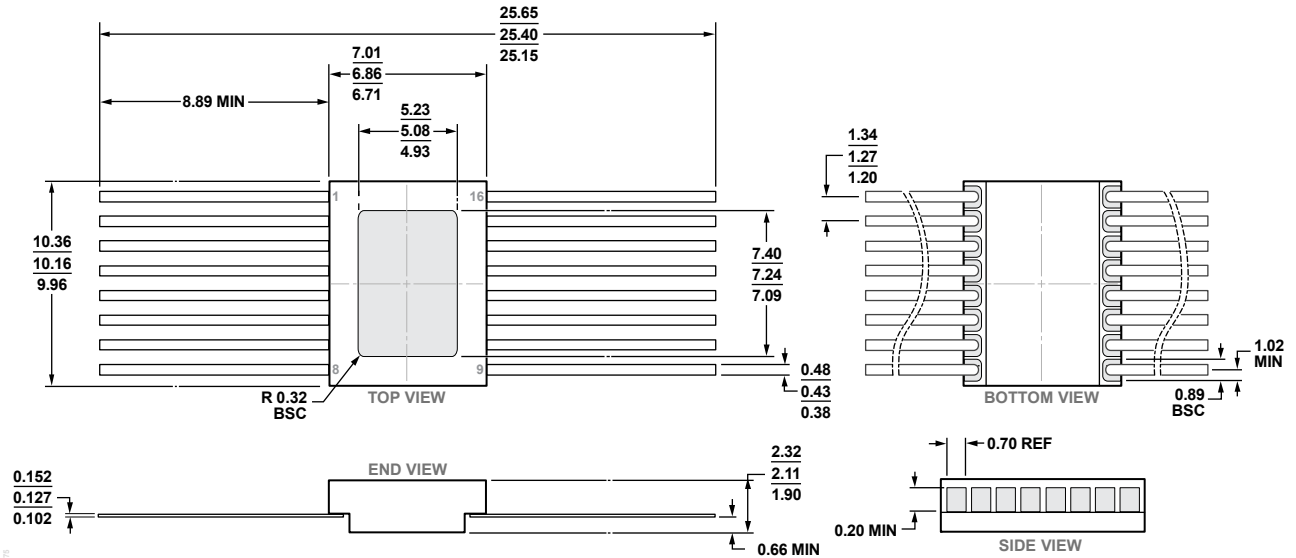


Figure 41. 16-Lead Ceramic Flat Package [FLATPACK] (F-16-1)  
Dimensions shown in millimeters

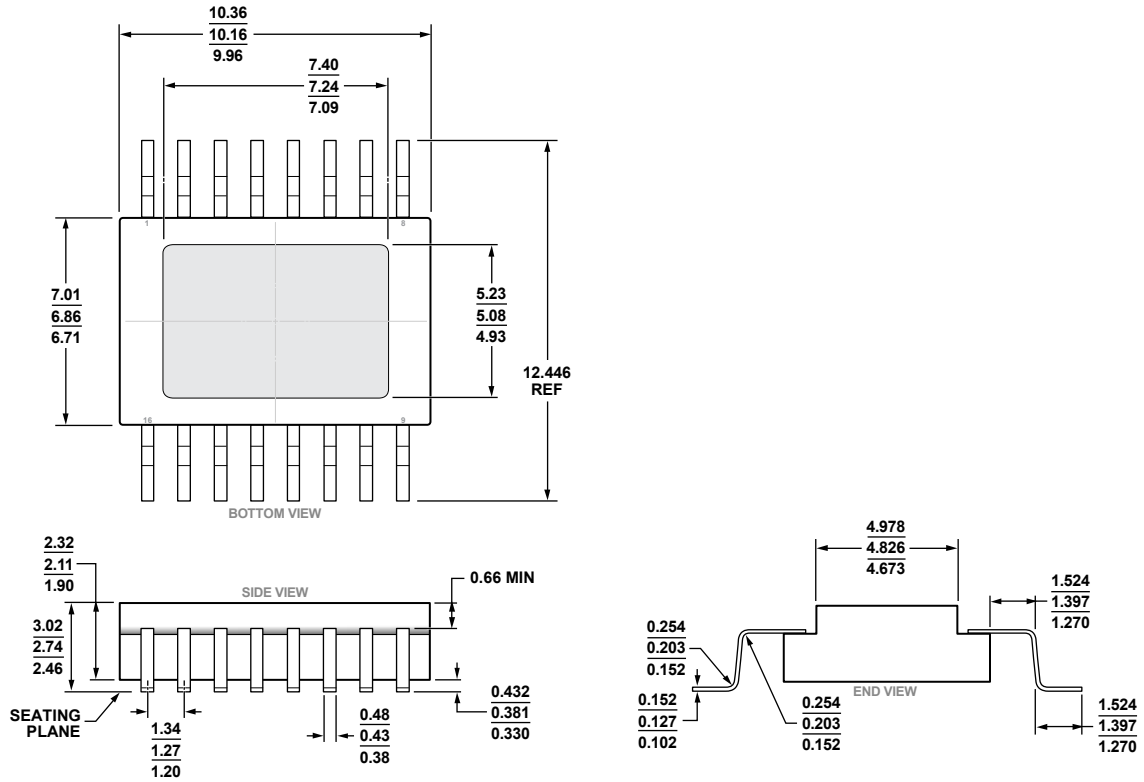


Figure 42. 16-Lead Ceramic Flat Package with Reverse Formed Gullwing Leads [FLATPACK\_RF] Cavity Down (FR-16-1)  
Dimensions shown in millimeters

## ORDERING GUIDE

Model <sup>1</sup>	Temperature Range	Package Description	Package Option
ADG5298HFZ	-55°C to +210°C	16-Lead Ceramic Flat Package [FLATPACK]	F-16-1
ADG5298HFRZ	-55°C to +210°C	16-Lead Ceramic Flat Package with Reverse Formed Gullwing Leads [FLATPACK_RF]	FR-16-1
EVAL-ADG5298EB1Z		Evaluation Board	

<sup>1</sup> Z = RoHS Compliant Part.



Компания «ЭлектроПласт» предлагает заключение долгосрочных отношений при поставках импортных электронных компонентов на взаимовыгодных условиях!

Наши преимущества:

- Оперативные поставки широкого спектра электронных компонентов отечественного и импортного производства напрямую от производителей и с крупнейших мировых складов;
- Поставка более 17-ти миллионов наименований электронных компонентов;
- Поставка сложных, дефицитных, либо снятых с производства позиций;
- Оперативные сроки поставки под заказ (от 5 рабочих дней);
- Экспресс доставка в любую точку России;
- Техническая поддержка проекта, помощь в подборе аналогов, поставка прототипов;
- Система менеджмента качества сертифицирована по Международному стандарту ISO 9001;
- Лицензия ФСБ на осуществление работ с использованием сведений, составляющих государственную тайну;
- Поставка специализированных компонентов (Xilinx, Altera, Analog Devices, Intersil, Interpoint, Microsemi, Aeroflex, Peregrine, Syfer, Eurofarad, Texas Instrument, Miteq, Cobham, E2V, MA-COM, Hittite, Mini-Circuits, General Dynamics и др.);

Помимо этого, одним из направлений компании «ЭлектроПласт» является направление «Источники питания». Мы предлагаем Вам помощь Конструкторского отдела:

- Подбор оптимального решения, техническое обоснование при выборе компонента;
- Подбор аналогов;
- Консультации по применению компонента;
- Поставка образцов и прототипов;
- Техническая поддержка проекта;
- Защита от снятия компонента с производства.



#### Как с нами связаться

**Телефон:** 8 (812) 309 58 32 (многоканальный)

**Факс:** 8 (812) 320-02-42

**Электронная почта:** [org@eplast1.ru](mailto:org@eplast1.ru)

**Адрес:** 198099, г. Санкт-Петербург, ул. Калинина, дом 2, корпус 4, литера А.